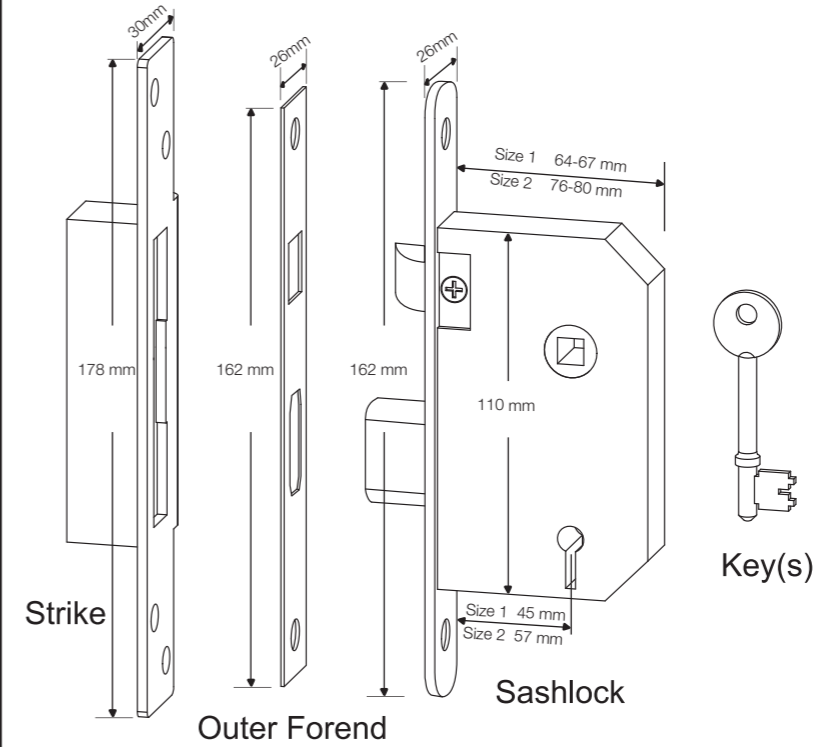




General View of Main Parts



Tools Required

- Scissors
- Pencil
- Masking Tape
- Bradawl
- Cross Head Screwdriver
- 19mm Chisel
- Mallet
- Ø10, 18 & 22mm Drill

1a Cut out templates

1b Mark centreline of door and frame.
At required height mark a horizontal line on door and frame.

2 Using the centreline guide and height guide tape templates to door.
Mark the centres of all holes with a bradawl then remove template.

3 Ø18mm

	Dim 'A'
67mm Lock	71mm
80mm Lock	84mm

4a Chisel out remaining timber between drill holes.

4b Inserting strike into door.

5a Inserting sashlock into door.

5b Inserting sashlock into frame.

6 Ø10mm

	Dim 'B'
67mm Lock	45mm
80mm Lock	57.5mm

