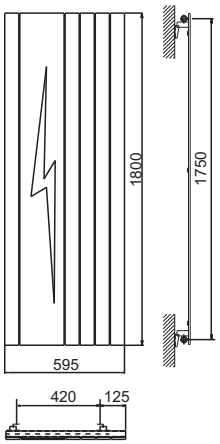
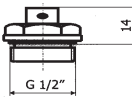






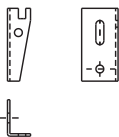
Assembly Instructions

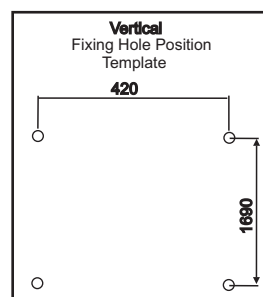
Panel Mirror radiator

Parts Supplied

Ref	Description	Illustration	Qty
A	Radiator		1
B	Air vent		1
C	Blanking plug		1

Fittings Supplied (for solid walls)

Ref	Description	Illustration	Qty
D	Masonry plug		4
E	Screw		4
F	Bolster		4
G	Galvanized Bracket		4



Tools Required (not supplied)

Drilling Machine Drill 10 mm masonry 22 mm Spanner Hammer Flat Nosed Pliers

Before you start :

- Please read instructions carefully before installation.
- Check the pack and make sure you have all parts listed above. If not, contact your local store who will be able to help you.
- Before drilling, first check that there are **no** hidden water pipes or electrical cables.
- This radiator is designed for use on an open or closed heating system up to a max pressure of 3 bars . For use on open systems the warrantee is subject to the addition of an anti-corrosion additive like Fernox.
- When you are ready to start, make sure you have the right tool to hand, plenty of space and clean dry area for assembly.
- Make sure that you use the right type of wall fixing;-masonry wall plugs supplied -.

Installation

1. For masonry walls drill 4holes to a depth of approximately 60 mm and a diameter of 10mm. The distance from the floor to the bottom of the radiator must be at least 200 mm for efficient heating (ventilation).
The horizontal distance between these holes should be 420 mm for radiators with an external width of 595 mm.
The vertical distance between these holes should be 1690 mm for radiators with an external height of 1800 mm.
2. Insert masonry wall plugs (D) provided into the drilled holes.
3. Fasten screw (E) with bolster (F) through bracket (G) to fix securely to the wall.
Take care not to over tighten.
4. Hang the radiator on the brackets.
5. Fit the supplied air vent (B) and blanking plug (C) into the upper threads of the radiator.
6. Connect the water flow and the return pipes to the chosen sides of the radiator. Make the final connections to the radiator isolation valves (not supplied). Ensure a water tight seal by using PTFE tape on the threads.
7. Open the valves to the radiator, fill and purge the remaining air from the radiator using the air vent (B). When full close the air vent.

Care & Use

- You must be absolutely certain that the system is **THOROUGHLY** flushed before it is commissioned in order to rinse out any metal, flux and foreign residues. The system must also be thoroughly vented.
- To help prevent internal corrosion and lime scale formation it is recommended that a suitable inhibitor is added to the central heating system.
- Wipe clean with a soft or damp cloth. Never use scourers, abrasives or chemical cleaners.

Troubleshooting

- If some panels of the radiator are not warm, check and purge once more using the air vent.