



# Installation and Safety Instructions

## IP44 Recessed Downlight

### 240V GU10

41341  
67764  
78571



**These instructions are for your safety. Please read through them thoroughly before use and retain for future reference.**

#### Tools Required (not supplied)

- 3mm Flat Blade Screwdriver
- 6mm Cross Headed Screwdriver
- Power Drill
- 66mm Hole Saw / Keyhole Saw
- File
- Pencil

#### Sundries / Extras (not supplied)

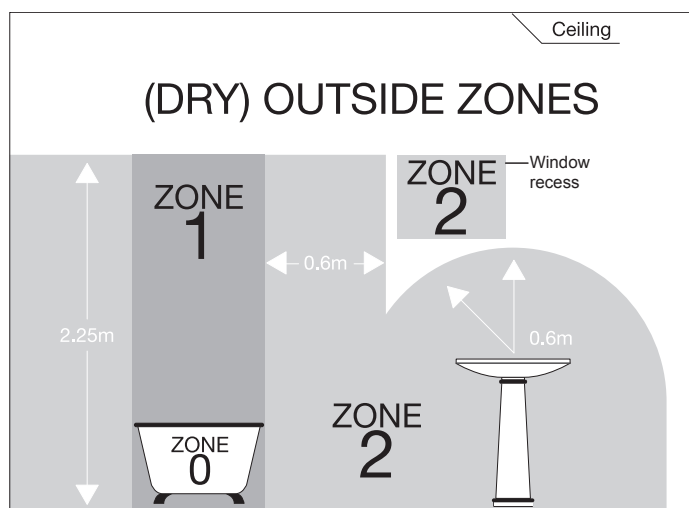
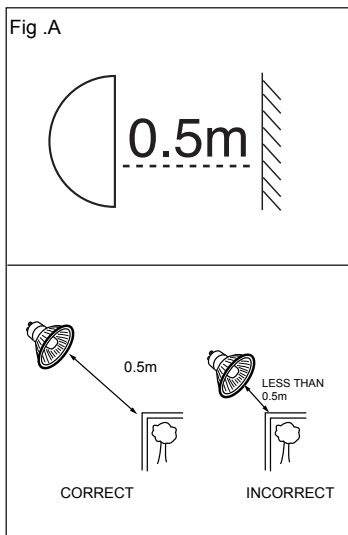
- Insulating Tape
- Terminal block
- GU10 Lamp Max. 50W

#### Before You Start

- If you need any assistance please contact your local trade counter who will be able to help you.
- Decide on an appropriate location for your product (see siting instructions below).
- This product is not suitable for single-handed installation. An assistant will be required during fitting.
- If you are in any doubt about installing this product, consult a qualified electrician.

#### Siting Instructions

- 1) This product is suitable for indoor use only.
- 2) Do not attach to surfaces which are damp, freshly painted or otherwise electrically conductive (e.g. metallic surfaces).
- 3) This fitting is not suitable for direct mounting on normally flammable surfaces, e.g. wood based materials. It is suitable only for mounting on non-combustible surfaces e.g. plasterboard, masonry. Shown by the symbol on the right.
- 4) The lamp must be positioned so that there is at least 0.5m between the bulb and any illuminated surface (see Fig.A below). Spotlights should be positioned well away from curtains and beds to ensure this distance is maintained.
- 5) This product is specially designed for installation in a bathroom. It is IP44 rated and can be fitted in Zone 2 and Outside (dry) zones of a bathroom - see diagram below.
- 6) The bezel on this product provides the IP44 protection. The electrical parts of this product must be installed in a fully enclosed ceiling void with the bezel fitted to maintain the IP44 rating. Do not use the product without the bezel fitted.



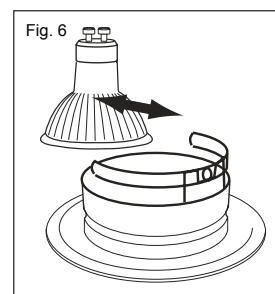
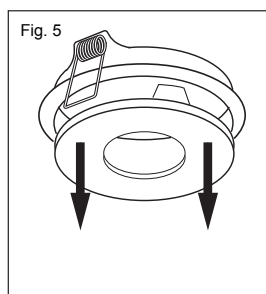
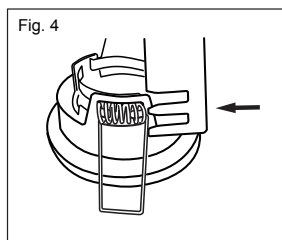
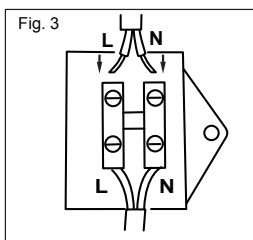
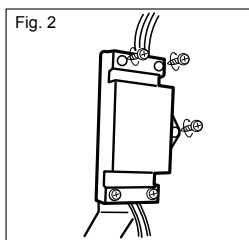
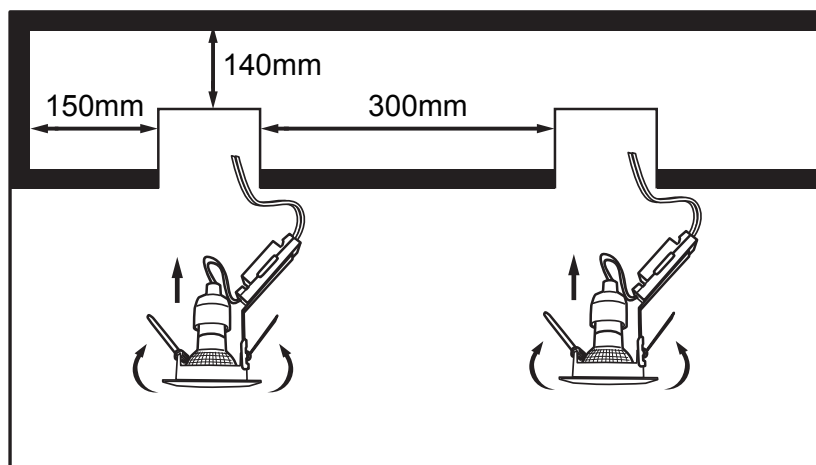


## Installation

Ensure the ceiling surface is flat and smooth to ensure a good seal.

- 1) Always switch off or disconnect from the mains before installation.
- 2) Feed the supply cable through the mounting hole. Squeeze the spring clips upwards towards the ceiling and fit the arms into the ceiling hole (See below.) Take care when releasing your grip as the springs will snap back and push against the back of the ceiling.
- 3) Ensure the cable is kept away from the lamp body to ensure it is not subjected to excess heat from the lamp.
- 4) Push the unit upward until firmly in position, ensuring that the cable is not trapped.
- 5) Remove front bezel by pulling away.
- 6) Obtain a suitable bulb - 50W Max GU10 Halogen or equivalent energy saving LED or compact Fluorescent GU10 bulb. See "Bulb replacement" section below on how to fit.
- 7) Replace the circuit fuse and switch on the mains to test.

Fig. 1



## Bulb replacement

- 1) Switch off and allow bulb to cool before replacing.
- 2) Pull-off front bezel to expose bulb. (Fig. 5) Unclip bulb from bezel. (Fig. 6)
- 3) Remove old bulb by holding lampholder and turning bulb anticlockwise a quarter turn. Replace with bulb type 50W MAX. GU10 Halogen. Only use self-shielded halogen bulbs marked with the symbol shown on the right. Alternatively, use equivalent energy saving LED or Compact Fluorescent GU10 bulb.
- 4) Fit the new bulb into the lampholder, slide into bezel and refit bezel back onto product. Ensure bezel is securely fitted to maintain water-tight seal.



## Care & Use

- Always switch off or disconnect from the mains when cleaning the product.
- Wipe clean with a soft dry cloth. Never use scourers, abrasives or chemical cleaners. Do not allow moisture to come into contact with electric parts.
- If the glass shield becomes cracked or damaged it must be replaced. Do not use the product without front bezel attached.



# Important- Electrical Changes

## Please Read

### Changes to Building Regulations

As of 1 January 2005, changes to the Building Regulations affected domestic electrical installations in **England** and **Wales**. You don't need to be a qualified electrician to make changes to your home's electrical system, but the work must be done in accordance with the standards in the Regulations.

You do not need to notify your Local Authority if you do **minor** electrical work such as:-

- replacing or repairing a socket, light or cable in any room
- adding extra spurs, sockets or lights to an existing circuit (except in a kitchen, bathroom or outdoors)
- adding lights to an outdoor wall on an existing circuit (provided there are no exposed outdoor connections, and the circuit is not extended from a kitchen/bathroom).

However, the work must be done to the standards in the Wiring Regulations and you should consider having the work checked by a competent electrician to make sure it is safe.

Before you start **other** electrical work such as:-

- adding new circuits to your existing installation
- any work (other than repairs / replacements) in a room where there is water (e.g. kitchen, bathroom, etc.)
- any work (other than repairs / replacements) outdoors (e.g. installing outdoor sockets, or non-pre-wired garden lighting etc.)

you must **notify** your Local Authority Building Control Department, which has responsibility for ensuring the work is inspected and tested.

Where you have any work done by an electrician who is a member of a competent person self-certification scheme, the electrician will be able to certify the work complies with the Regulations and you do not need to notify your Local Authority.

We recommend that you make yourself aware of the Regulations before you undertake any work and if you require any clarification you should contact your Local Authority Building Control Department.

#### Changes to Wiring Cable Colours in UK

The IEE Wiring Regulations (BS 7671) have changed the colours in cable used for fixed wiring for all new electrical installations.

The old and the new colours are shown in the table below.

Core colour	OLD	NEW
LIVE	Red	Brown
SWITCHED LIVE	Red, or Black with red sleeve	Brown, or Blue with brown sleeve
NEUTRAL	Black	Blue
EARTH	Bare, with green/yellow sleeve	Bare, with green/yellow sleeve (no change)
2-WAY SWITCHED LIVE	Red, blue and yellow	Brown, black and grey

For new installations after 31st March 2006, only the **new** colours are permitted. Where new cable is added to an existing installation of the old type, special precautions must be taken (including fixing a warning notice at the distribution board or consumer unit).

When installing this product, please note therefore that you may encounter either of the above types of cable.

**If you are in any doubt whatsoever regarding the above, please consult a qualified electrician.**