
CIRCULAR TILE CUTTER

USER INSTRUCTION

Item No. 13295

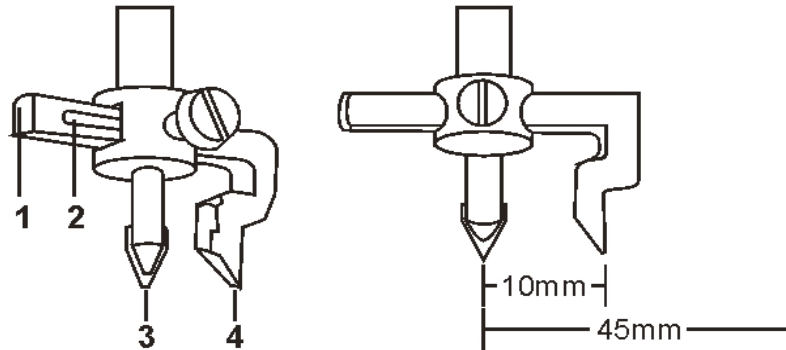
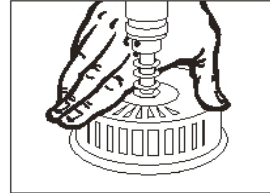
INSTRUCTIONS FOR USE :

For your safety! The shape of blade (1)
and protection notch (2)
avoids the blade from being altered.

Warning! Always wear safety goggles to protect eyes.

Bit (3) and blade (4)
in forged steel and tungsten carbide.

Injury protection device.



Capacity from 20 to 90 mm
fixing of the tiles

Important!

-Run the power drill at low speed (400 rpm MAX.)

-Do not use on baked or stratified materials.

The wide protection basket ensures a perfectly straight cut.