

VARILIGHT PowerGrid®

Fitting instructions

If in doubt, consult a qualified electrician.

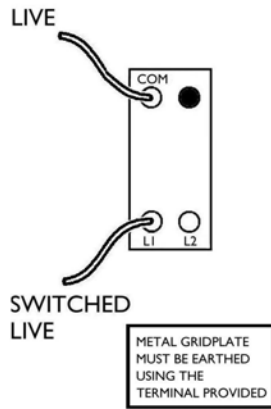
1. Always disconnect the mains before beginning any electrical work
2. Clip grid modules into grid plate
3. Make electrical connections making sure any bare wires are covered by appropriate sleeving
4. The grid plate must be earthed using the earth terminal provided
5. Screw grid plate to wall using larger fixing screws supplied
6. Attach faceplate using smaller fixing screws supplied
7. Switch on the mains supply.

WARNING: Do not apply products with metal faceplates directly to freshly plastered or damp surfaces as product may tarnish. If in doubt, use polythene as a temporary gasket to protect the product. Do not use masking tape on metal faceplates.

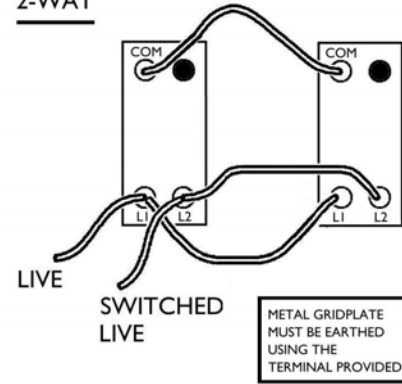
Guarantee: If the unit becomes faulty within one year of purchase, please return it for replacement to:- Service Department, Carylls Lea, Faygate, Horsham, West Sussex, RH12 4SJ.

DOYLE & TRATT PRODUCTS LTD PGS145

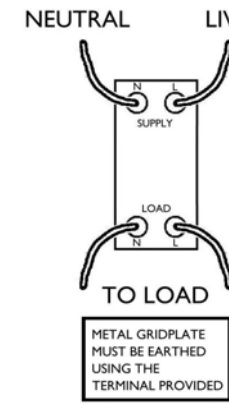
EXAMPLE WIRING 1-WAY



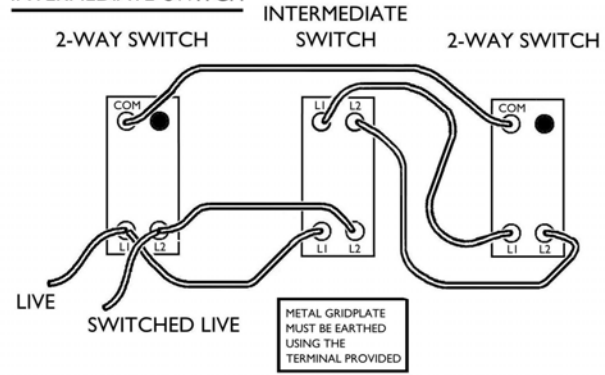
EXAMPLE WIRING 2-WAY



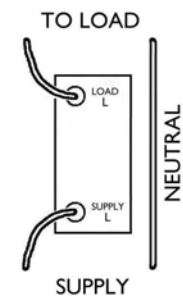
EXAMPLE WIRING DOUBLE POLE SWITCH



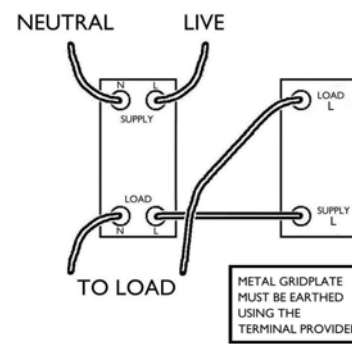
EXAMPLE WIRING INTERMEDIATE SWITCH



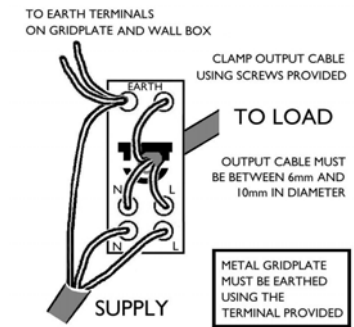
EXAMPLE WIRING FUSE HOLDER



FUSE HOLDER USED WITH DOUBLE POLE SWITCH



EXAMPLE WIRING FLEX OUTLET



VARILIGHT Grid Dimmers

Important: Before using this dimmer please refer to the enclosed guidance on the maximum loads permitted per wallbox.

This grid dimmer is suitable for 1-way and 2-way circuits. Use only on an electricity supply of 216 to 253V a.c.

SUITABLE FOR

- ✓ Mains voltage GLS or candle bulbs;
- ✓ Good quality dimmable electronic low voltage transformers (de-rate to 50% max);
- ✓ GU10 or similar HiSpot mains halogen bulbs;
- ✓ Dimmable energy-saving light bulbs (observe minimum load on dimmer)

NOT SUITABLE FOR

- ✗ Non-dimmable fluorescent bulbs and tubes;
- ✗ Wire-wound or toroidal transformers;
- ✗ Electric motors
- ✗ LEDs (For dimmable LEDs choose our V-Pro range)

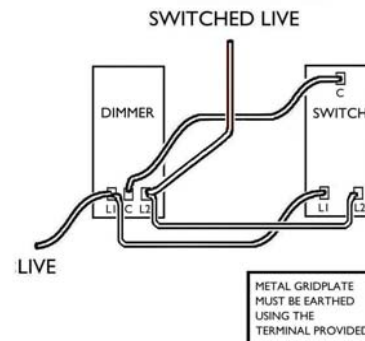
Incorrect use will make your guarantee invalid.

This dimmer is protected against overload. If an overload occurs it will automatically switch off the lights and slowly turn them on and off until the overload is removed and the dimmer has returned to its usual operating temperature.

Maximum Loads Per Grid Faceplate

Model:	GP400	GP400	GP250	GP250	GP120
Lighting:	Mains	Low Volt.	Mains	Low Volt.	CFLs
Grid Plate: PGI (1 module gridplate)	Max Load: 400W	Max Load: 200W	Max Load: 250W	Max Load: 125W	Max Load: 6 x CFLs
PG2 (2 module gridplate)	800W	400W	500W	250W	12 x CFLs
PG3 (3 module gridplate)	1200W	400W (max. 2 dimmers)	750W	250W (max. 2 dimmers)	12 x CFLs (max. 2 dimmers)
PG4 (4 module gridplate)	1200W	400W (max. 3 dimmers)	1000W	250W (max. 2 dimmers)	12 x CFLs (max. 2 dimmers)
PG6 (6 module gridplate)	1800W	600W (max. 3 dimmers)	1800W	375W (max. 3 dimmers)	12 x CFLs (max. 2 dimmers)
PG8 (8 module gridplate)	1800W	800W (max. 4 dimmers)	1800W	500W (max. 4 dimmers)	12 x CFLs (max. 2 dimmers)
PG9 (9 module gridplate)	2400W	800W (max. 4 dimmers)	2400W	500W (max. 4 dimmers)	12 x CFLs (max. 2 dimmers)
PG12 (12 module gridplate)	2400W	1200W (max. 6 dimmers)	2400W	750W (max. 6 dimmers)	12 x CFLs (max. 2 dimmers)

EXAMPLE WIRING 2-WAY DIMMER



EXAMPLE WIRING 1-WAY DIMMER

