

USER GUIDE

33455

Congratulations on the purchase of your high gain wideband aerial which is designed to receive both analogue and digital terrestrial signals. This aerial has been manufactured to the standard required to get the best reception of digital terrestrial TV services (such as Freeview™). If the aerial is to be used for DTT reception check before installation at www.dtg.org.uk/retailer/coverage to confirm that your home is in a coverage area and to find where your local transmitter is. For optimum results install the aerial using double screened digital coax cable and screened coax outlets.

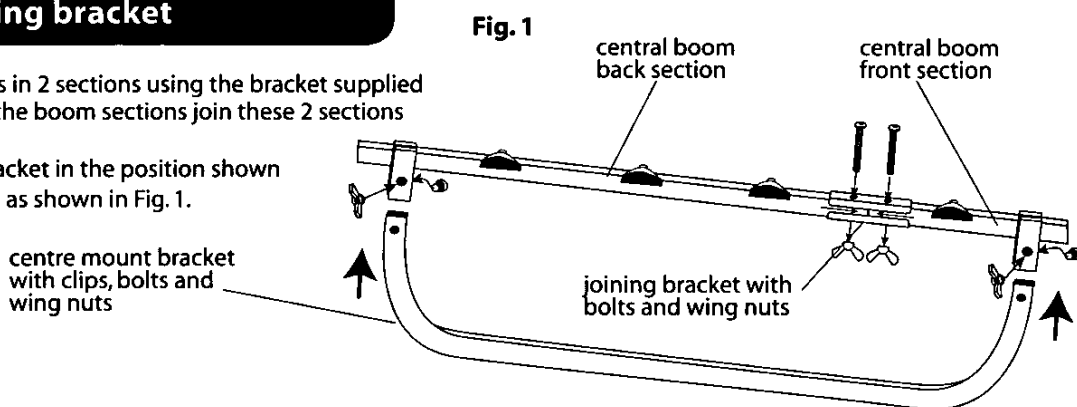
Main Features

- Wideband – suitable for all UK TV reception areas, covering UHF bands 21 to 68
- Receives both digital and analogue TV signals
- Suited for medium and weak signal strength areas

The aerial requires some assembly - please read these instructions carefully before beginning.

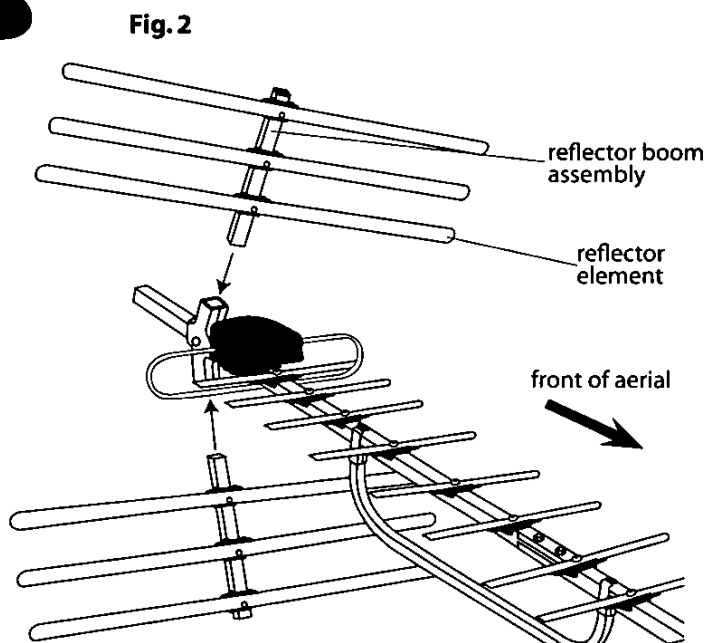
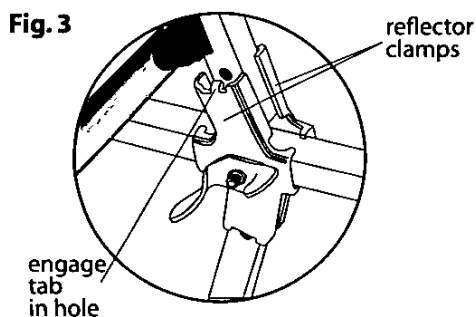
A. Assembly of central boom and centre mounting bracket

1. The central boom comes in 2 sections using the bracket supplied and the holes drilled in the boom sections join these 2 sections as shown in Fig. 2.
2. Attach centre mount bracket in the position shown using the clips supplied as shown in Fig. 1.



B. Fitting the reflectors

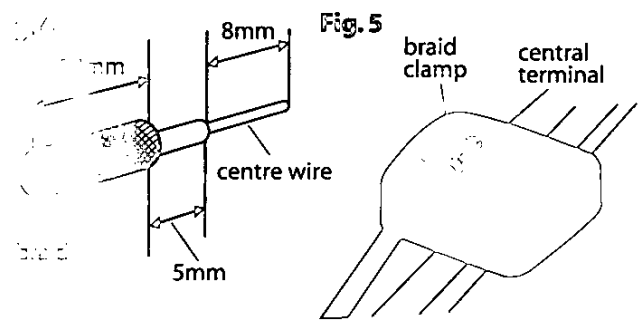
1. Using the reflector clamps, screw and large wing nut, fix the reflector assemblies to the main aerial boom as shown in Fig. 2.
2. Check that the reflector clamp tabs locate in the holes of the reflector boom sections and that the wing nut is tight as shown in Fig. 3.
3. Ensure that the reflector elements are facing towards the front of the aerial (convex surface forward).



Please Note: Coaxial cable, mountings and masts are not supplied with this aerial. You will need to select these from the range available according to the specific requirements of your installation. The quality of the coaxial cable used is as important as the quality of the aerial and you should make sure that if it is not specifically marked as suitable for digital TV it is of the same quality as that used for digital satellite installations.

B. Connecting coaxial cable

1. Before preparing and stripping the cable ready for connection, feed the coaxial cable through the hole in the terminal cover.
2. Prepare cable as shown as shown in Fig. 4.
3. Feed prepared cable through the braid clamp and thread the centre wire through the hole in the central terminal.
4. Clamp the cable braid securely first, then tighten the screw on the central terminal. Trim any stray braid that might come into contact with the centre wire or central terminal as shown in Fig. 5.
5. Replace terminal cover carefully and securely making sure that the cable is not trapped or kinked.



C. Coaxial cable routing and fixing aerial to a mast

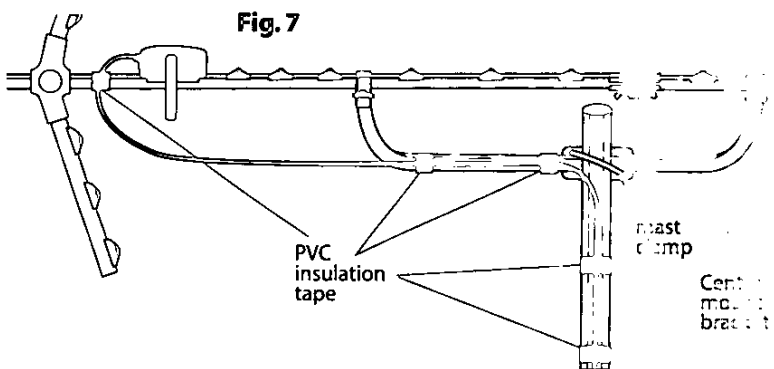
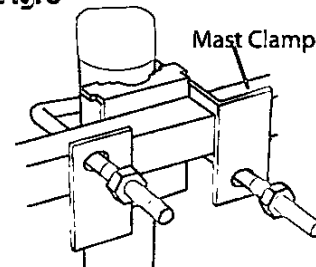
For optimum performance it is very important that the coaxial cable should be routed as shown in Fig. 7 below.

DO NOT ALLOW THE CABLE TO TOUCH THE AERIAL BOOM AT ANY POINT. PVC insulation tape can be used as shown to hold the cable in place. For best results the aerial should be centre mounted on an outdoor aerial mast and pointed in the direction of the nearest transmitter* making sure it is in a position where the transmitter signal will not be obstructed by nearby trees and buildings. When centre mounting a mast, slide the aerial mount back and forth through the mast bracket to find the most evenly balanced position, this will minimise the strain on the aerial, bracket and mast.

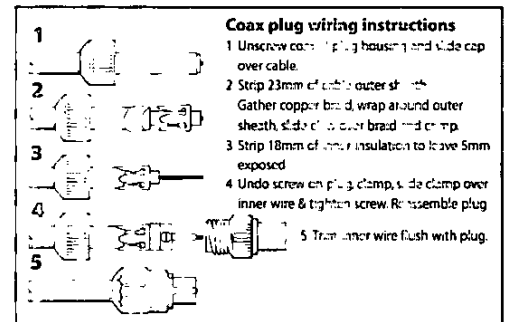
Before mounting check that the mast is in good condition and firmly fixed.

1. Using the clamp supplied fix the aerial to the mast as shown in Fig. 6.
2. After the aerial direction has been fine tuned for best reception tighten the bolts firmly until the aerial is securely fixed to the mast.

Fig. 6



PLEASE NOTE: A coax plug is not included with this aerial. If you need to fit one please follow the wiring instructions shown below.



CAUTION: When mounting the assembled aerial, always observe safety precautions and use the correct equipment. Unless you are competent in the use of ladders and other access equipment, do not work outdoors at great height. If in any doubt, refer to a qualified aerial installer.

Box contents

- 1x Central boom: assembly square aluminium in 2 sections joined (L) approx 1260mm with 1x curved aluminium elements
- 2x Reflector booms: Square aluminium (L) approx 160mm with 3x Reflector elements each : Curved aluminium (L) approx 420mm
- 1x Centre mount bracket with clips: assembly square aluminium
- 1x Bow tie shaped dipole and printed circuit balun
- 1x Aerial clamp

Other Useful Websites for Digital Advice:

*To confirm that your home is in a coverage area, to find out what DTT channels should be available locally and to find out where your nearest transmitter is (distance and compass bearing) visit: www.dtg.org.uk/retailer/coverage.html

Troubleshooting

- Check all connections from aerial to TV.
- Check all connections from aerial to TV.
- Check aerial is properly aligned to the correct transmitter.
- If the aerial has been loft mounted try mounting outside.
- Make sure new digital coax cable has been used throughout the installation.
- Check the transmitter signal is not obstructed by nearby trees or buildings.
- In a very weak signal area or for long cable runs, installing a mast head amplifier will improve the signal.
- In a strong signal area the signal strength may need to be reduced by fitting an attenuator.

Contact Caroline: 08457 573 479
Local contact number, Monday to Friday 9am-5pm
Web site: <http://www.labgear.co.uk>