

16

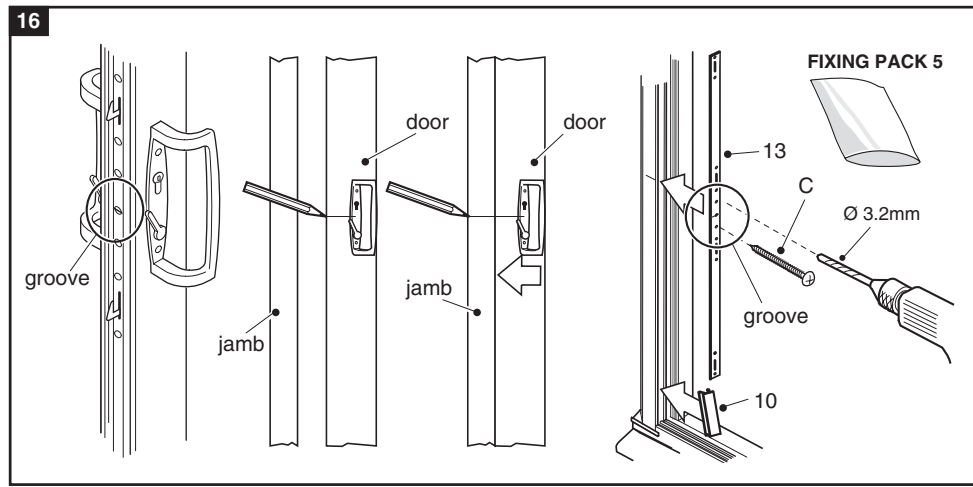
The lock keep plate (13) should now be fitted into the frame using the following procedure.

Slide the door until nearly closed. With a pencil draw a short line on the outside face of the locking jamb, level with the groove in the centre of the lock on the door.

Open the door and place the lock keep plate in position in the locking jamb with the groove on the plate level with the short pencil line.

Drill through the plate into the jamb to penetrate the factory fitted metal strip inside the jamb and secure with 4.3 x 30mm screws (C).

Slide the door closed and check the operation of the lock. Fill the gap below the lock keep plate with a length of euro cover (10).

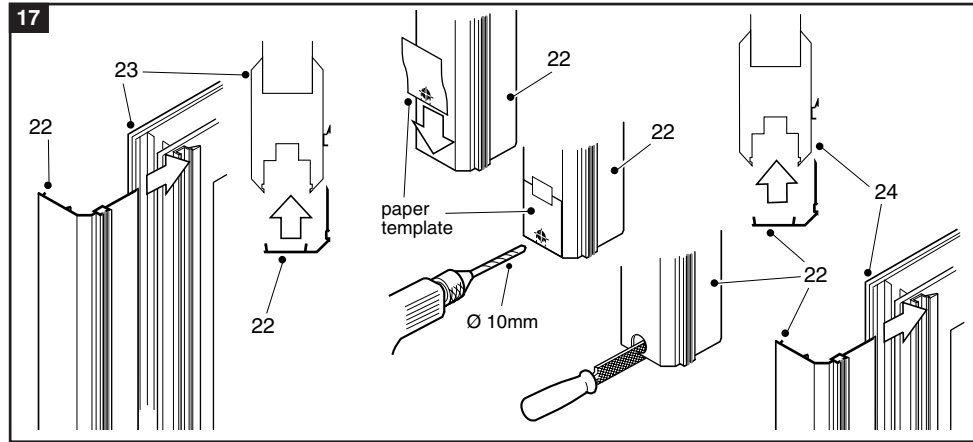


17

Fit the interlock cover (22) to the fixed panel as shown. The bottom of the interlock cover for the sliding door needs to be shaped to fit over the stainless steel track. Before fitting it, cut the paper template from the back of these instructions and tape it onto the interlock cover.

Drill with a 10mm drill through the marked position on the template. Square off the hole with a file.

Push the interlock cover into place on the sliding door.



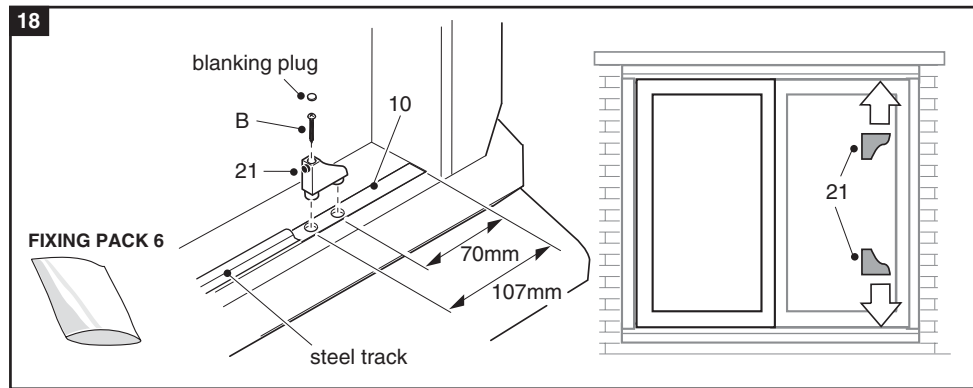
18

At the bottom of the frame, measure a distance of 70mm from the fixed jamb on the eurogroove cover and mark. Measure a second distance from the same point of 107mm and mark.

Carefully drill at these points with an 8mm drill through the centre of the eurogroove cover and through into the frame to a depth of 20mm to provide a location for the two dowel pegs on the door stop.

Push the dowel pegs into the two holes and fix through the door stop with a screw (H).

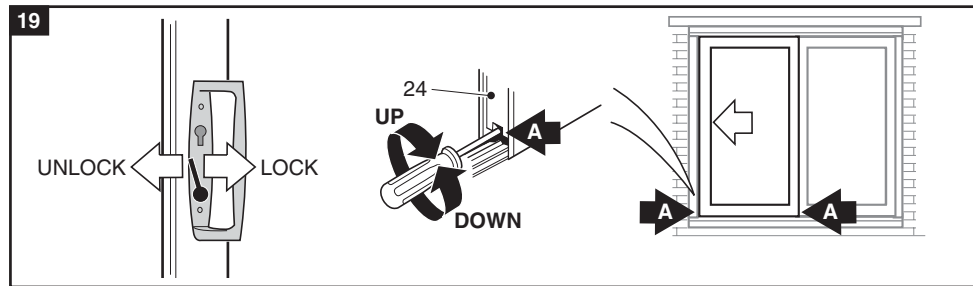
Repeat this procedure to fit the second door stop at the top of the frame.



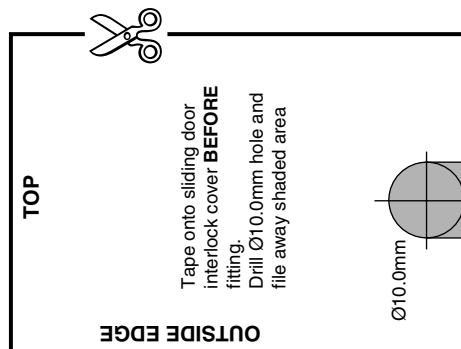
19

Test the door lock for correct operation. To lock the door when closed, pull the operating lever backwards. To unlock, push the operating lever forwards. If the door does not lock, check that the locking jamb is plumb and not bowed and that the door is square to the frame - re-align the door by adjusting both rollers if necessary.

Initially the lock operation may be stiff, but it will become smoother with use.



INTERLOCK COVER TEMPLATE (for use at Step 17)

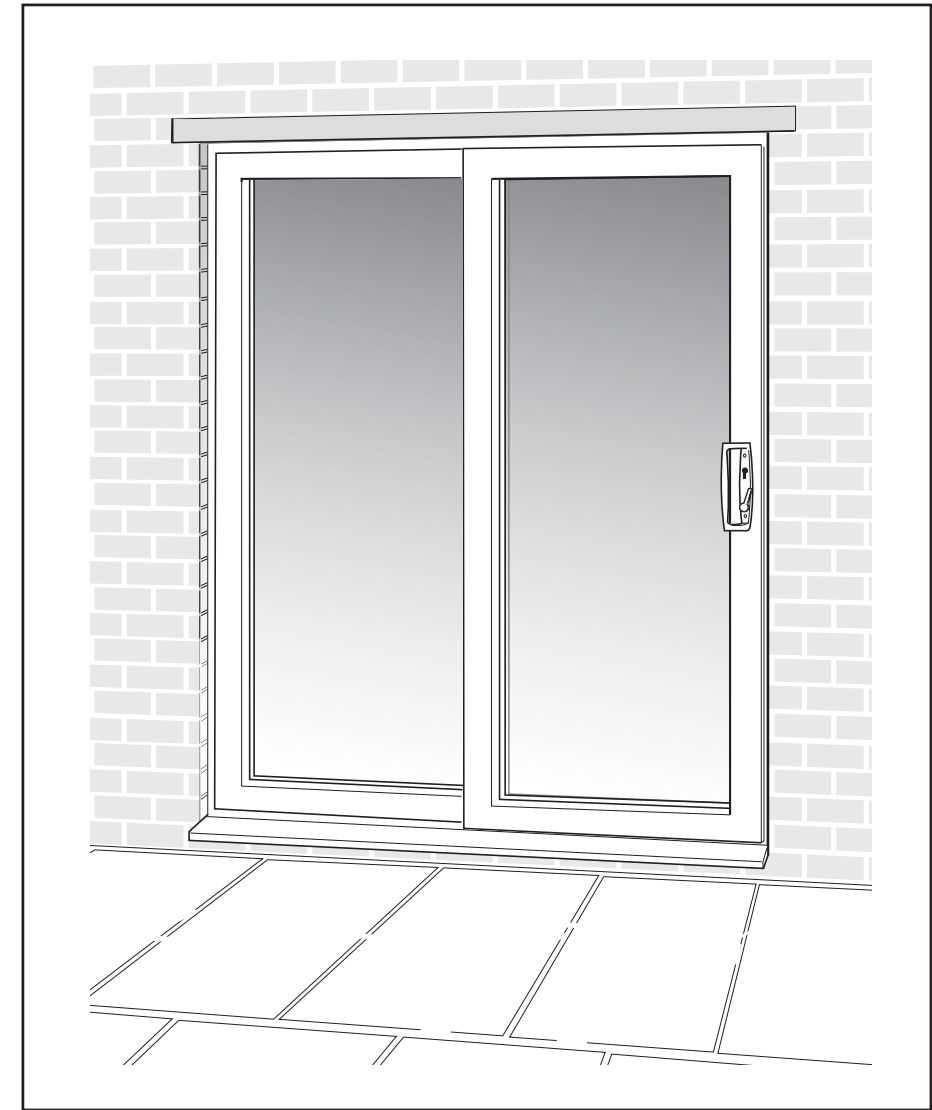


CARE AND MAINTENANCE OF YOUR PVCu INLINE PATIO DOOR

Cleaning and Maintenance

When installation has been completed, initial cleaning down should take place. Remove any mastic with white spirit and wash down with a mild detergent mix. The surfaces should be regularly cleaned with soap or mild detergent and water. After cleaning, surfaces should be washed down with clean water and dried. At suitable intervals during the service life of the door, the lock and rollers should be lightly oiled.

PVCu INLINE PATIO DOOR



STEP-BY-STEP ILLUSTRATED ASSEMBLY INSTRUCTIONS

Guarantee Terms and Conditions

The Manufacturers policy is one of continuous development and improvement and accordingly we reserve the right to alter specification without prior notice.

The utmost care has been taken in the manufacture of this product to ensure it gives complete satisfaction. To the best of our knowledge this product was in perfect condition when it left our factory. You are recommended to examine it before installation and check quality, accuracy of the components and quantity of the contents. Customers should note that claims for damage to glass, finish or shortages must be submitted to the vendor before installation. The manufacturer also reserves the right to disallow claims once the product has been installed.

Failure to follow the recommendations set out in these instructions or to install in a manner not approved by the manufacturer may result in all or part of the product guarantee being null or void.

This product is guaranteed by the manufacturer for a period of 10 years from the date of purchase and no other proposal or statement by any other party will supersede or complement this offer. Should any part of it become defective due to faulty manufacture or materials, it will be replaced free of charge (supply only). Any parts supplied will have a guarantee term for the remaining period of the initial product guarantee stated previously. The product is not guaranteed against conditions of use or misuse.

This guarantee does not cover glass breakage however caused, or any fault arising from incorrect installation. Any replacement parts supplied, including assemblies, or completed products, are for DIY installation and no claim can be accepted for any costs however incurred for the installation of the replacement items.

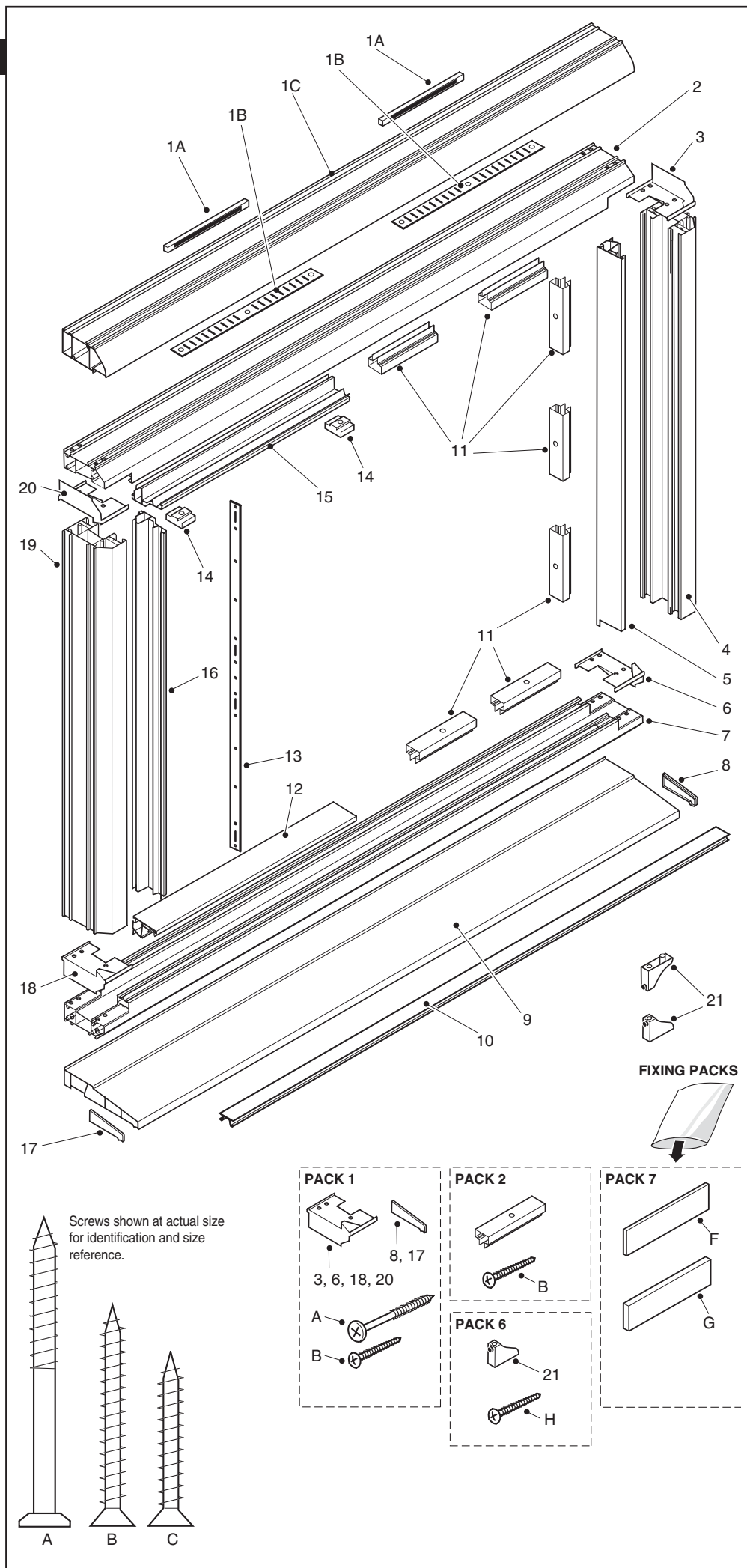
This guarantee is offered as an extra benefit and is in addition to and does not affect your statutory rights. Please retain your receipt as proof of purchase.

KNOCK-DOWN FRAME ASSEMBLY

| Item | Description | Quantity |
|------|--|----------|
| 1A | VENT CONTROL inner | 2 |
| 1B | VENT COVER outer | 2 |
| 1C | VENTED HEAD | 1 |
| 2 | TOP RAIL | 1 |
| 3 | CORNER MOULDING top right | 1 |
| 4 | JAMB for fixed panel | 1 |
| 5 | JAMB COVER for fixed panel jamb | 1 |
| 6 | CORNER MOULDING bottom right | 1 |
| 7 | BOTTOM RAIL with stainless steel track | 1 |
| 8 | END CAP for sill, right hand | 1 |
| 9 | SILL | 1 |
| 10 | EURO GROOVE COVER | 1 |
| 11 | FRAME PACKERS aluminium | 7 |
| 12 | THRESHOLD COVER | 1 |
| 13 | LOCK KEEP | 1 |
| 14 | ANTI-LIFT BLOCKS | 2 |
| 15 | HEAD COVER | 1 |
| 16 | JAMB COVER for locking jamb | 1 |
| 17 | END CAP for sill, left hand | 1 |
| 18 | CORNER MOULDING bottom left | 1 |
| 19 | LOCKING JAMB for sliding door | 1 |
| 20 | CORNER MOULDING top left | 1 |
| 21 | DOOR STOP | 2 |

For convenience the fittings are supplied in packs as follows:

- PACK 1** contains
 - A JOINT SCREW, 55mm element 20
 - B SCREW, 4.3 x 40mm 4
 - CORNER MOULDING (Items 3, 6, 18, 20) 4
 - SILL END CAP (Items 8, 17) 2
- PACK 2** contains
 - B SCREW, 4.3 x 40mm 7
 - FRAME PACKER (Item 11) 7
- PACK 3** contains
 - B SCREW, 4.3 x 40mm 6
 - ROLLER (Item 31) 2
 - ANTI-LIFT BLOCK (Item 14) 2
- PACK 4** contains
 - HANDLE (Items 25, 27, 28, 29) 2
 - D HANDLE FIXING SCREW 2
 - LOCK CYLINDER (Item 26) 1
 - E LOCK CYLINDER RETAINING SCREW 1
- PACK 5** contains
 - B SCREW, 4.3 x 40mm 10
 - C SCREW, 4.3 x 30mm 18
- PACK 6** contains
 - H SCREW, 4.3 x 55mm 2
 - DOOR STOP (Item 21) 2
- PACK 7** contains
 - F FLAT PACKER, 2mm thick-black 8
 - G FLAT PACKER, 3mm thick-white 8
- PACK 8** contains
 - VENT CONTROL inner (Item 1A) 2
 - VENT COVER outer (Item 1B) 2
 - SCREW 10
 - SCREW COVER CAPS 10



12

Lift the sliding door (24) into the frame (top first), making sure that the door wheels run on the stainless steel track.

Slide the door as far as possible past the fixed panel, so that it is fully open. Place one anti-lift block (14) into the front channel in the top rail at the end nearest to the locking jamb leaving a gap of at least 20mm from the jamb.

Using the anti-lift block as a template, drill through the hole in the block into the frame with a 3.2mm drill and secure the block with the 4.3 x 40mm screw provided (B). Repeat this procedure for the second anti-lift block at the end of the channel nearest to the fixed panel.

Adjust the wheels on the door at the positions shown so that top of the door touches the anti-lift blocks, then back-off the adjustment slightly so that the door passes over the blocks without rubbing them. Slide the door to the closed position and check that it closes squarely to the frame - if not, adjust the wheels to align the door.

13

Cut a length of the euro groove cover (10) to fit in the channel between the sliding door and the fixed panel jamb.

Measure and insert a length of euro groove cover into the channel between the sliding door and the fixed panel jamb.

14

The sliding door is supplied as a right hand fit, with the lock only partially fitted to the door.

If a left hand operating door is required, remove the two screws (B) retaining the lock plate, remove the entire lock assembly, rotate it through 180° and replace it in the hole in the door. Secure the face plate with the two screws (finger tighten only at this stage).

15

Insert the key in the lock cylinder (26) and turn so that the lever lines up with the barrel, then locate through the lock aperture in the door frame and fix with the screw provided (E).

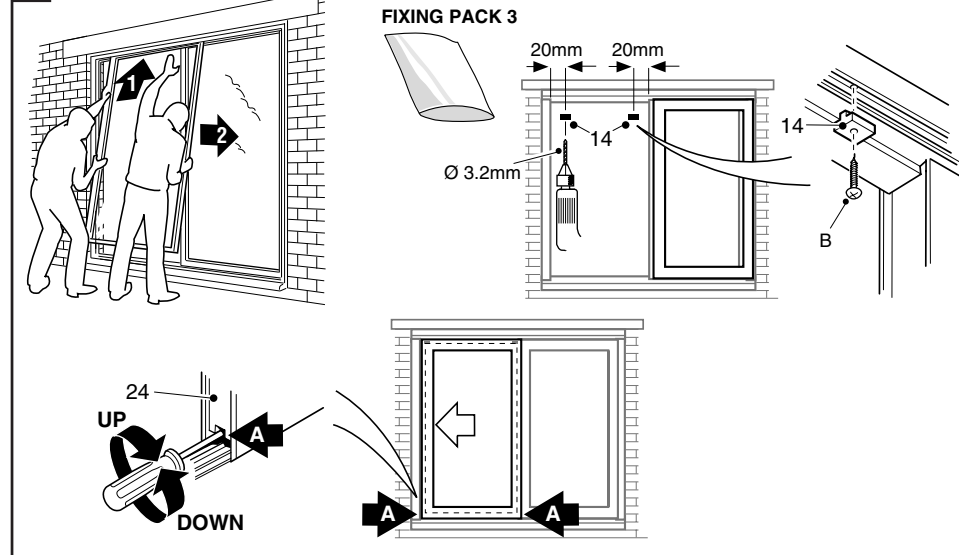
Insert the square profile lock operating bar (29) into the square hole in the lock.

Position the handles (25, 27) onto the door frame, ensuring that the operating bar fits into the levers on the handles and insert the screws (D) through the inside handle into the blanking plugs in the outside handle.

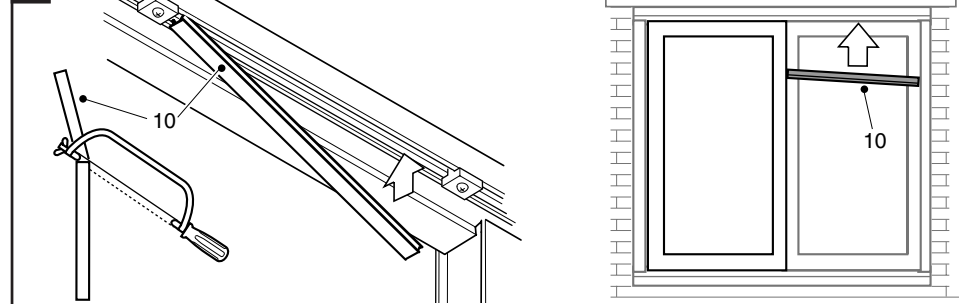
Fit the remaining screws (B) in the lock plate, then carefully tighten all the screws.

DO NOT OVERTIGHTEN.

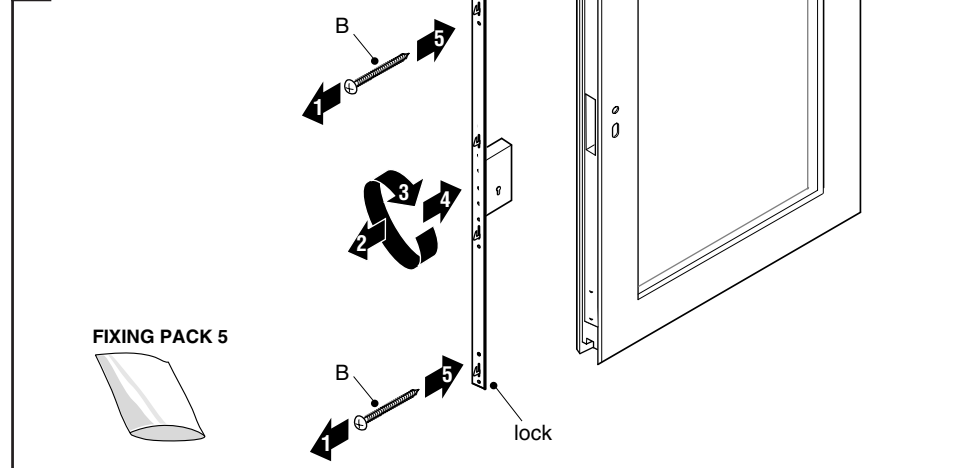
12



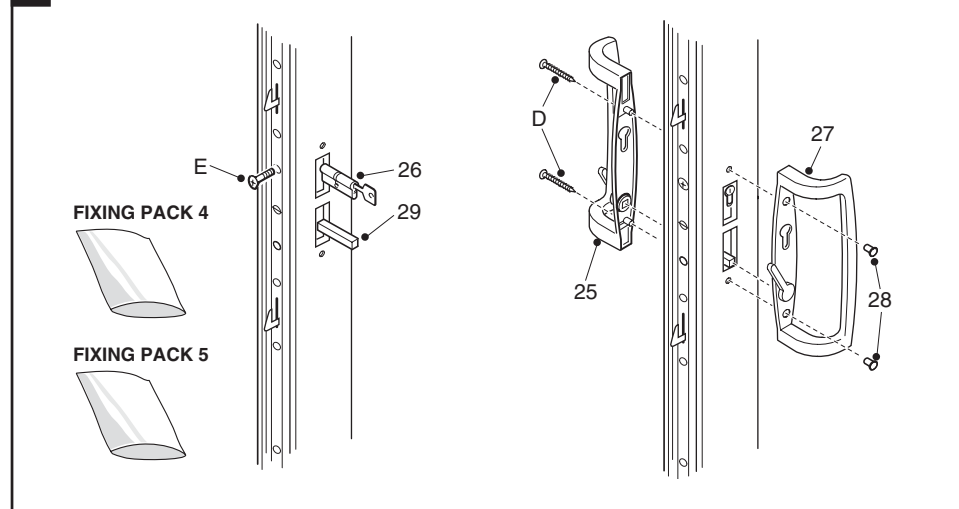
13



14

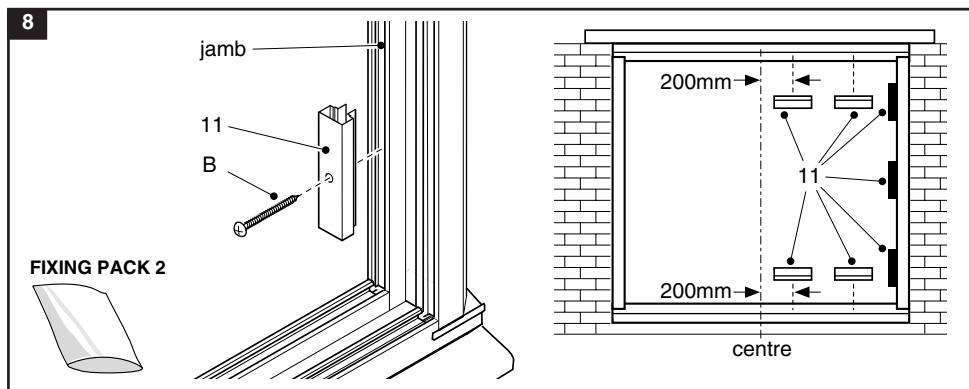


15



8

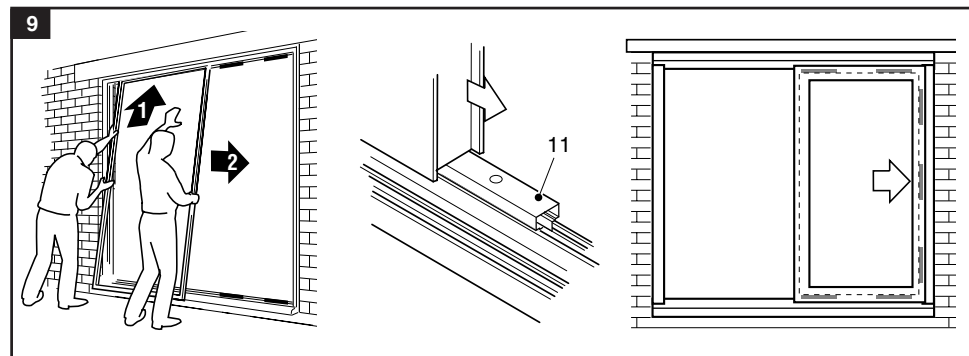
Before continuing the assembly, check that the handing of the door is in the desired direction. Insert three of the aluminium frame packers (11) into the rearmost channel on the fixed panel jamb (4) and fix with 4.3 x 40mm screws (B). Position the remaining packers, two in the frame top, two in the frame bottom and fix with screws (B).



INSTALLING THE FIXED PANEL

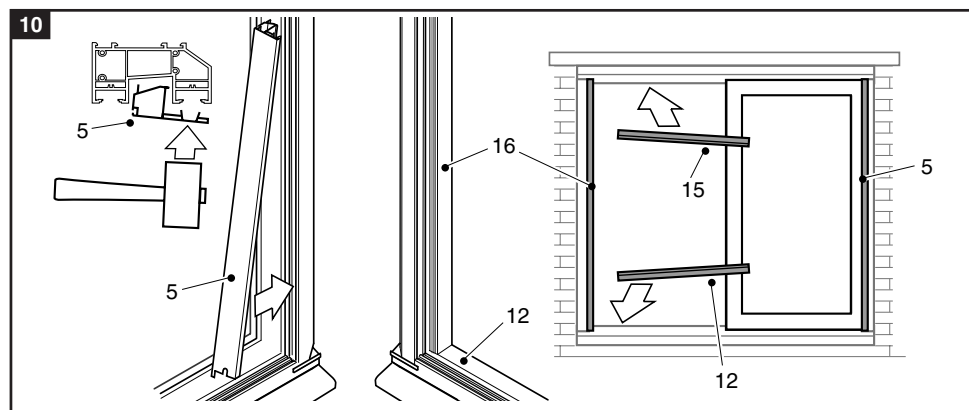
9

The fixed panel (23) can be a right or left hand fit. Lift the fixed panel into the frame, top first, at the opposite end to which it is to be fixed. Slide it onto the aluminium frame packers and push it firmly up to the jamb so that it overlaps the frame.



10

Fit the jamb covers (5, 16) into position on the jamb by inserting the leading edge into the groove in the jamb then tapping the face of the cover with a mallet. Similarly fit the head cover (15) and threshold (12) in place between the locking jamb (19) and the fixed panel. The fixed panel is now securely fastened into the frame.



INSTALLING THE SLIDING DOOR

11

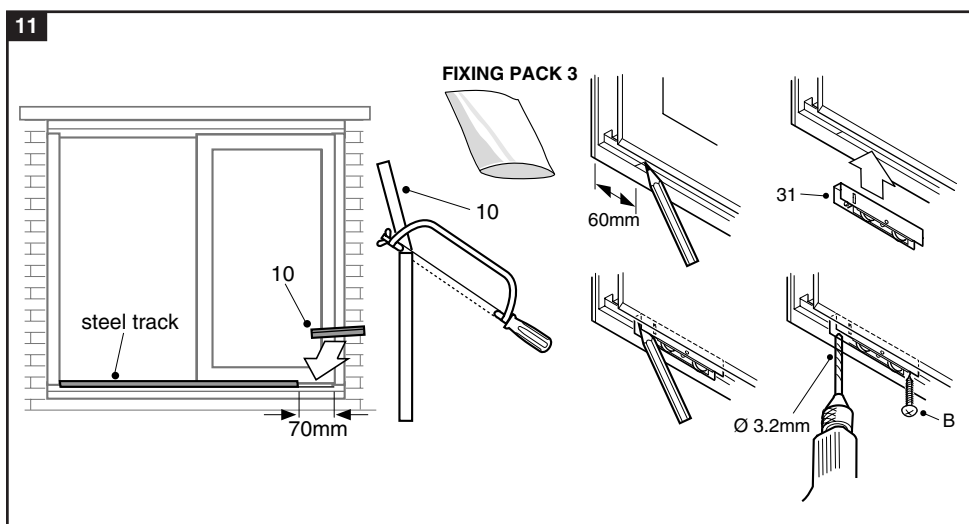
Before fitting decide whether the door is to be a left or right hand fit.

Slide the steel track up to the locking jamb. Measure the gap between the opposite end of the steel track and the fixed jamb cover and cut a piece of euro groove cover (10) to this length. Insert it into the groove between the track and the jamb cover.

The sliding door is a universal fit and has drain holes pre-drilled in the top and bottom.

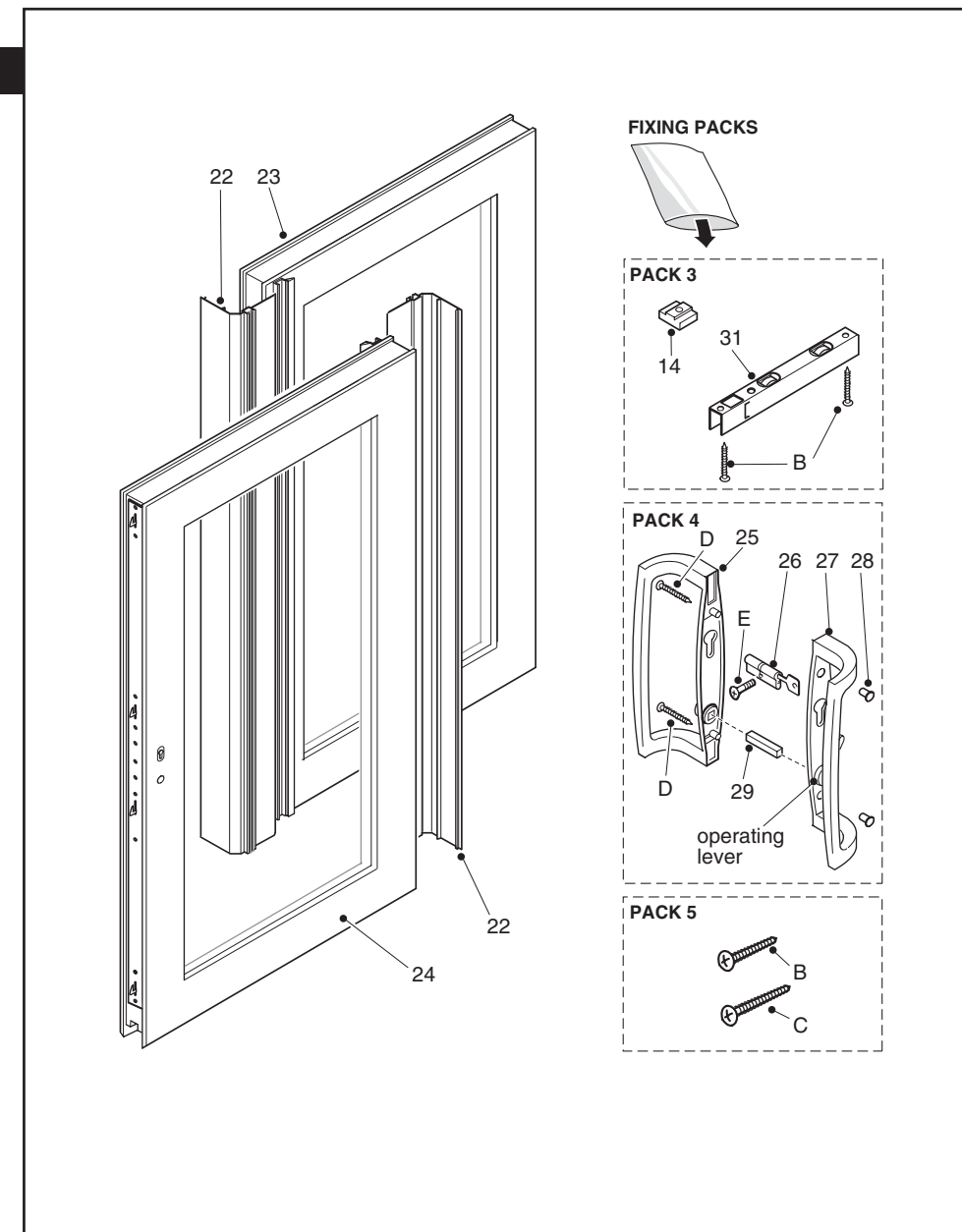
FITTING THE ROLLERS

Measure 60mm from one end of the bottom rail and mark with a pencil. Using a roller assembly (31) as a template, place against the pencil line and mark the position of the end holes in the roller, ensuring that the adjusting screw faces the outside edge of the door. Drill through the marked hole positions with a 3.2mm drill bit. Secure the roller assembly with two 4.3 x 30mm screws (B). Repeat the procedure at the other end of the bottom of the door and fix the second roller assembly (31).

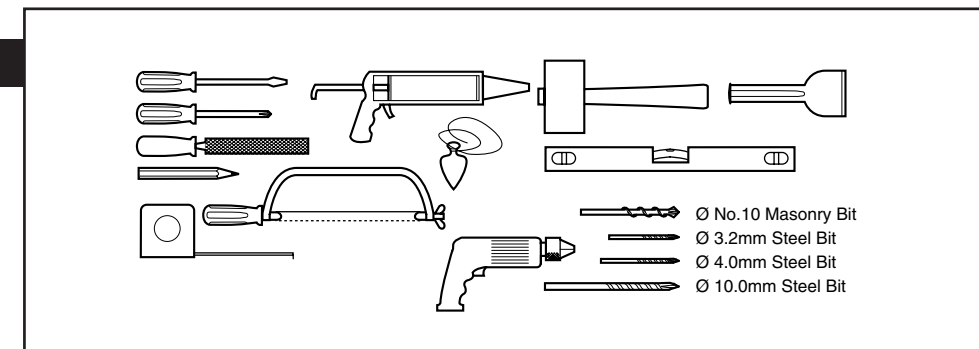


DOOR ASSEMBLY

| Item | Description | Quantity |
|------|------------------------|----------|
| 22 | INTERLOCK COVERS | 2 |
| 23 | FIXED PANEL universal | 1 |
| 24 | SLIDING DOOR | 1 |
| 25 | INNER DOOR HANDLE | 1 |
| 26 | LOCK CYLINDER with key | 1 |
| 27 | OUTER DOOR HANDLE | 1 |
| 28 | BLANKING PLUG | 2 |
| 29 | LOCK OPERATING BAR | 1 |
| 30 | ROLLERS | 2 |



TOOLS REQUIRED



BEFORE COMMENCING ANY WORK:

- carefully check all parts to ensure they are complete and free from marks or scratches on all finished surfaces.
- read through these instructions to familiarise yourself with the installation procedure. Decide whether the door is to open from the left or the right. The illustrations show a left hand installation, but the supplied items are a universal fit, only the door lock may require re-location (see relevant instructions).
- make sure that you have all the necessary tools and any additional items required e.g. sealant and additional fixings not included in the packs.

All nominal dimensions in mm.

IF IN DOUBT, SEEK EXPERT ADVICE.

PREPARING THE OPENING

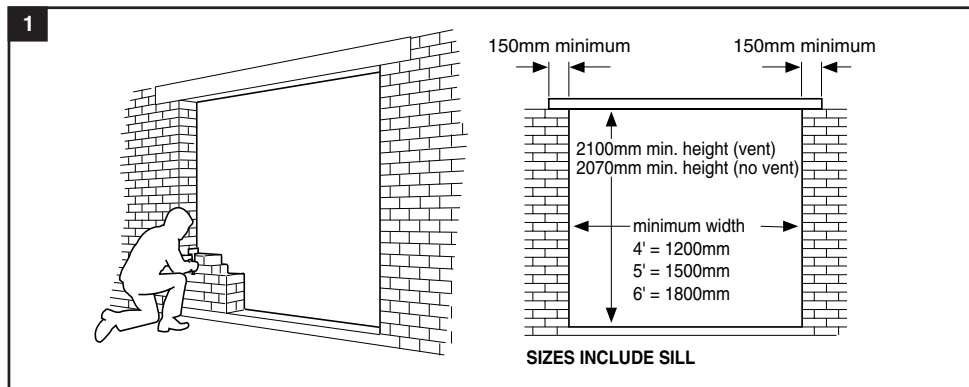
1

It is important that a suitable lintel is fitted above opening.

Cut brickwork with a 230mm diameter angle grinder (available from hire shops) and remove bricks using a cold chisel and hammer.

Brick aperture sizes for the Patio Door are shown. These include the vented head and sill.

Fit a dampproof membrane along the bottom of the aperture.



ASSEMBLING THE PVCu FRAME

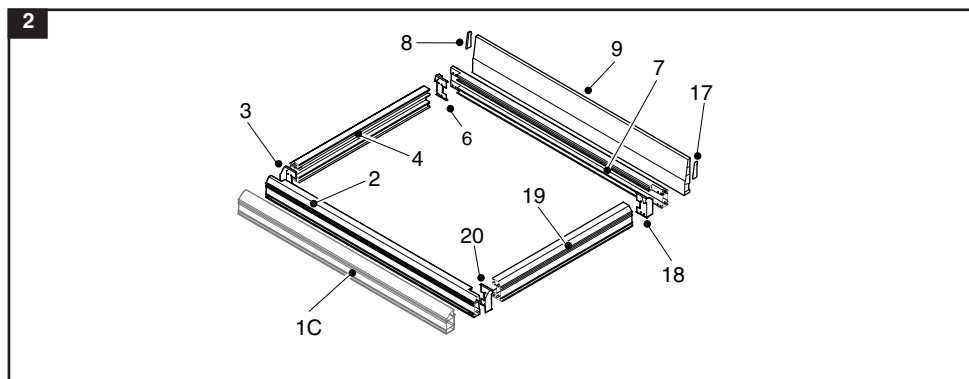
The sliding door is always on the outside.

Two people may be required to lift the assembly into place.

2

Lay out the top rail, bottom rail, jambs, sill (9), head (2), and the vented head (1C) on an area of flat ground with a soft surface or on a dust sheet to avoid damage to the components.

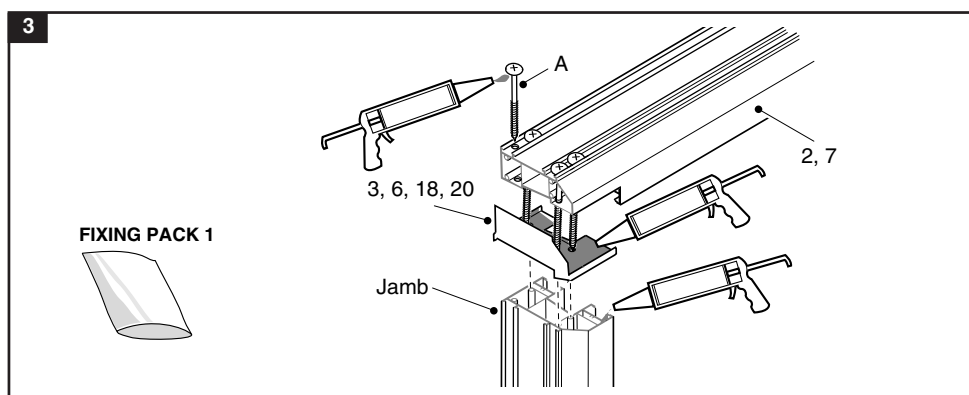
Ensure that the locking jamb (19) is on the desired side.



3

Generously coat the inner surfaces of the corner mouldings (3, 6, 18, 20) with suitable silicone sealant. Place in position on the jambs (4, 19) and fix the jambs to the top and bottom rails (2, 7) with the 55mm element screws (A) provided, taking care not to overtighten.

A small bead of silicone sealant must be applied behind the head of each screw before tightening to prevent water ingress.



4

The vented head (1C) may require cutting to size to suit the frame.

THE PRE-DRILLED VENT SLOTS IN THE HEAD MUST BE IN THE CENTRE OF THE ASSEMBLY.

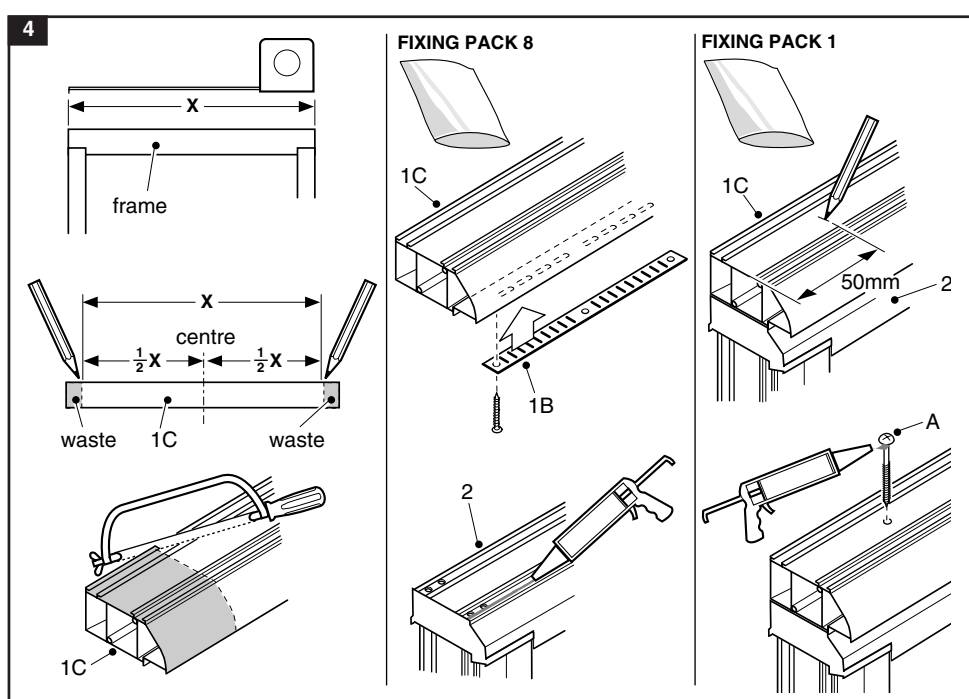
Carefully mark the centre of the vented head. Measure the width (X) of the frame and mark with a pencil. From the centre of the vented head, measure half the width ($\frac{1}{2}X$) of the frame in each direction and mark. Cut the head at the marked positions with a fine tooth saw.

Position the vent covers (1B) to the outside of the vented head over the pre-drilled slots and fix with the self-tapping screws provided in the vent pack.

Apply a bead of silicone sealant along the raised edges on the top rail (2) and position the head onto the frame.

Measure a distance of approximately 50mm from each end of the head and mark with a pencil.

Drill through the head and the frame with a 3.2mm drill at the three marked positions (including the centre) and fix with three 55mm element screws (A). Apply a small bead of silicone sealant behind the head of each screw before tightening.



5

The sill (9) may require cutting to size to suit the frame. Measure the width (X) of the bottom of the frame. Mark this dimension from one end of the sill and cut to this length with a fine tooth saw.

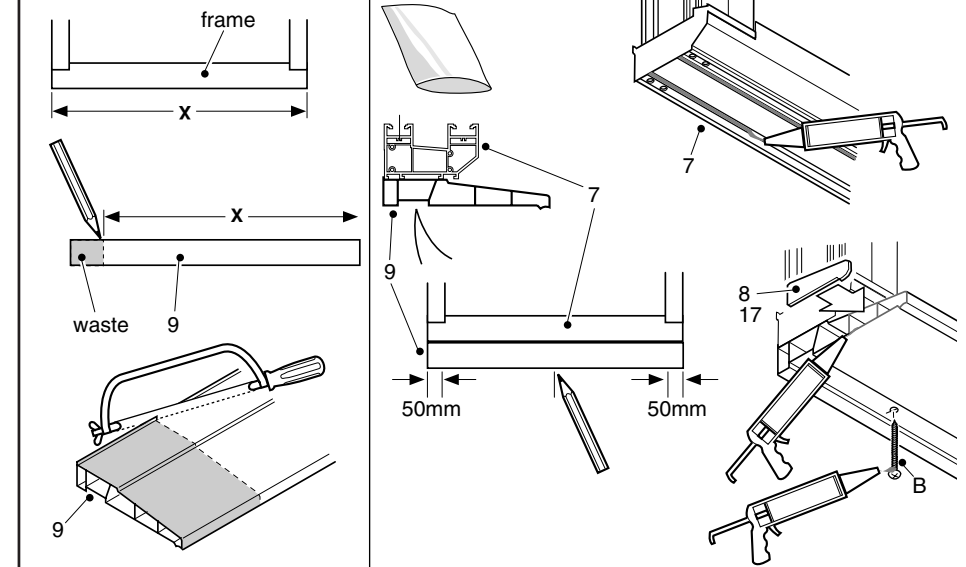
Apply a bead of silicone sealant along the raised edges on the bottom rail of the frame and position the sill onto the frame.

In the groove in the underside of the sill, mark the centre of the sill with a pencil and measure a distance of approximately 50mm from each end of the sill and mark.

Drill through the sill and the frame with a 3.2mm drill at the three marked positions and fix with three screws (B). Apply a small bead of silicone sealant behind the head of each screw before tightening to prevent water ingress.

Coat the ends of the sill with silicone sealant and push the end caps (8, 17) into position.

5



INSTALLING THE PVCu FRAME

6

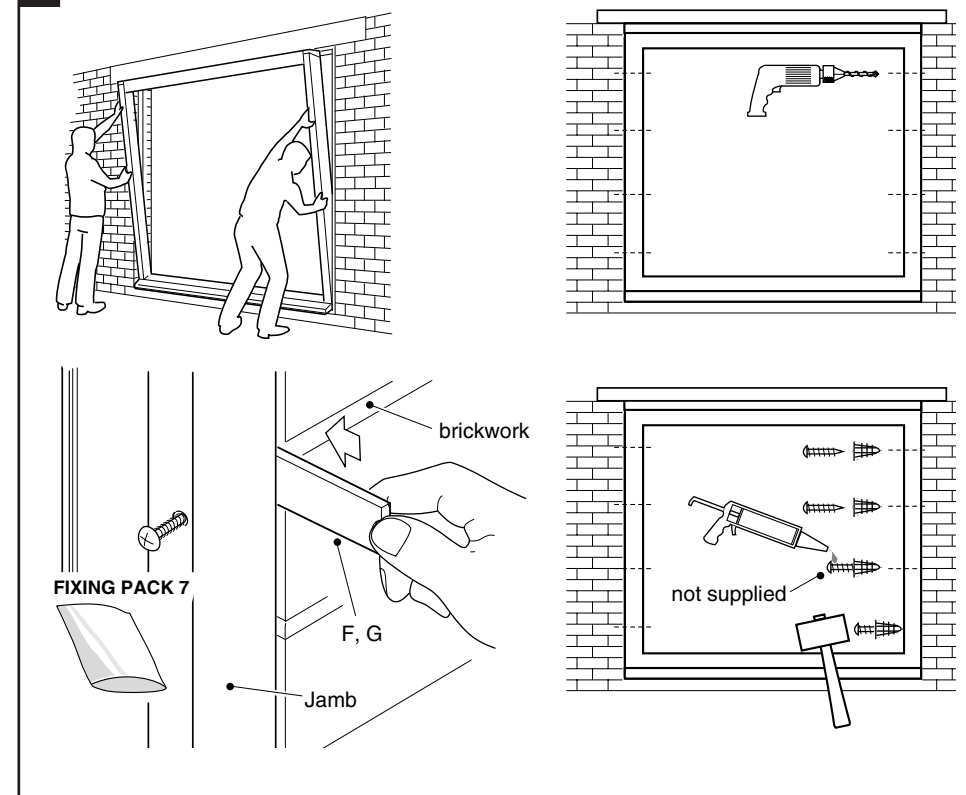
Push the frame firmly into the prepared aperture. Check that the frame is plumb and square.

Drill through the frame with a masonry drill bit, four holes per side equally spaced. Insert the required flat packers (F, G) between the frame and the wall.

Fix the frame using suitable fittings (not supplied) applicable to the type of wall construction, applying a bead of silicone under each screw head before tightening.

Note:
After tightening the screws it is important to check that the lock stile is perfectly plumb and not bowed as this can cause the lock to operate incorrectly and not engage fully. A tolerance of no more than 3mm is acceptable.

6



7

Fill any gaps between masonry and the frame; if the gaps are too wide a proprietary expanded P.U. filler or foam rod may be used, prior to finishing with mastic.

Fix the vent controls (1A) to the inside of the vented head (1C) using the screws provided into the pre-drilled holes.

7

