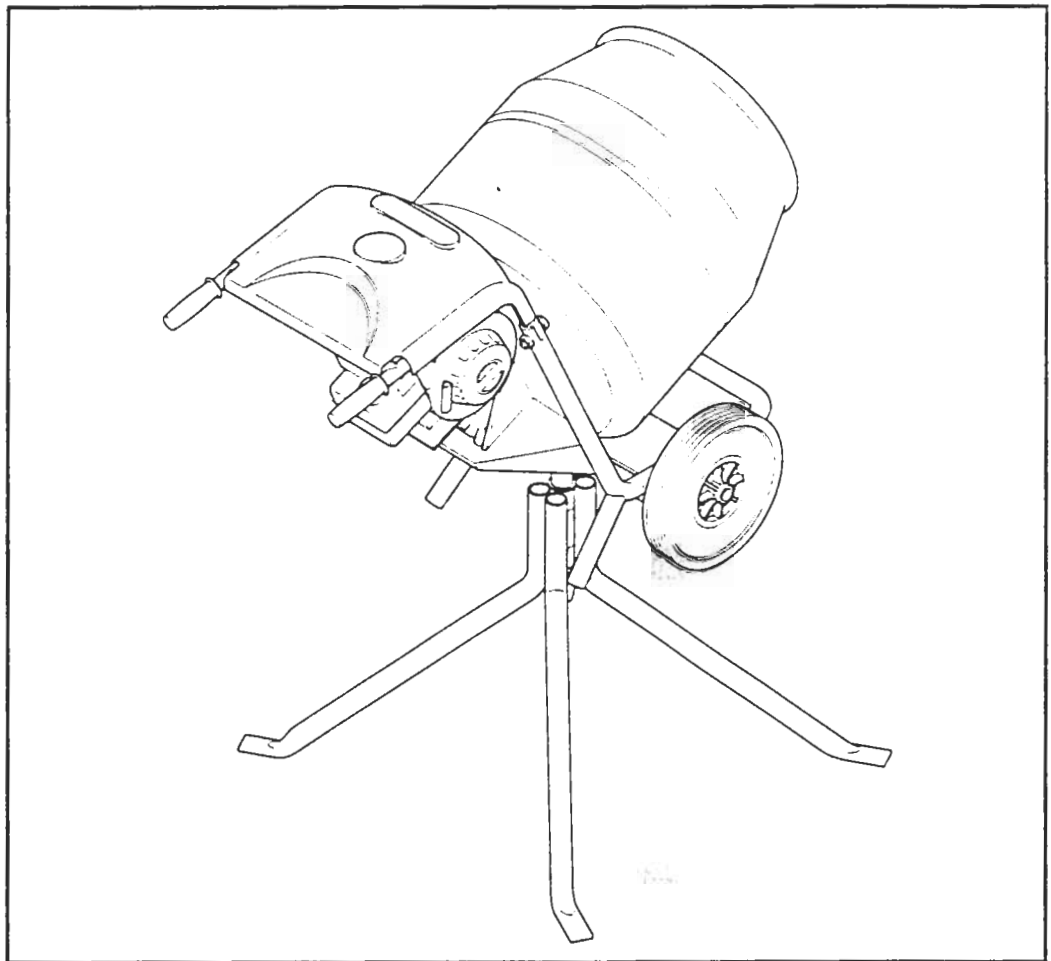


MINIMIX 150



3174
6478

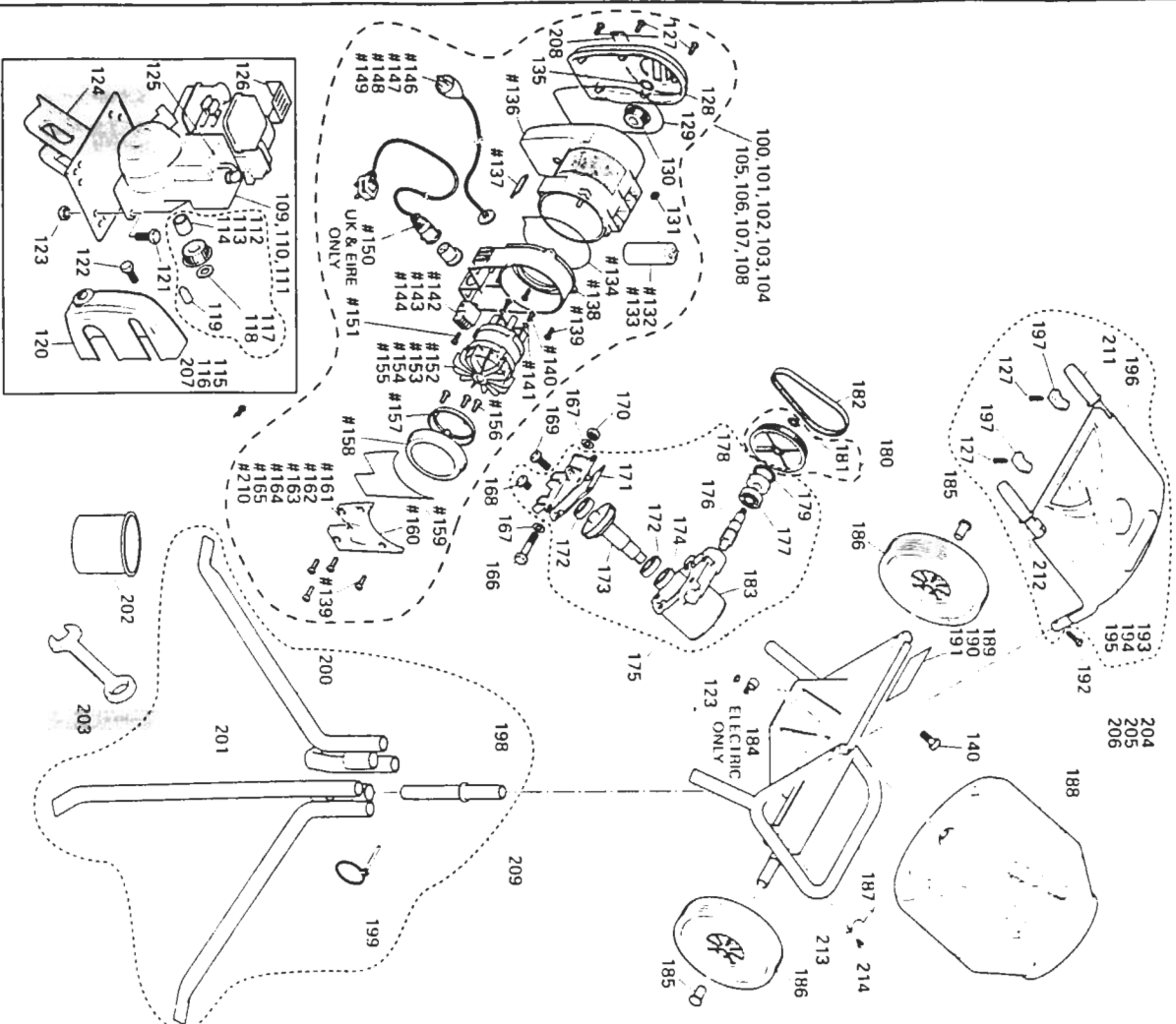
- (GB) OPERATORS MANUAL
- (F) MANUEL D'UTILISATION
- (ESP) MANUAL DEL USUARIO
- (P) MANUAL DO OPERADOR
- (NL) GEBRUIKERSHANDLEIDING



PART NUMBER: 800/21330/1

Belle Engineering (Sheen) Ltd. Sheen, Nr.Buxton, Derbyshire, SK17 OEU ENGLAND.
SALES Tel: 01298 84606 SALES Fax: 01298 84722 SERVICE AND SPARES Fax: 01298 84901

SPARE PARTS PIÈCES DE RECHANGE REPUESTOS PEÇAS SOBRESSALENTES RESERVEONDERDELEN



▲ CAUTION: PARTS WITH A # SHOULD ONLY BE FITTED BY A QUALIFIED ELECTRICIAN
ATTENTION: LES PIÈCES MARQUÉES # DOIVENT ÊTRE MONTÉES PAR UN ÉLECTRICIEN QUALIFIÉ
PRECAUCIÓN: LAS PARTES MARCADAS CON # SOLO DEBEN INSTALARSE POR UN ELECTRICISTA CAPACITADO
CUIDADO: AS PEÇAS COM # SÓ DEVEMO SER COLOCADAS POR UM ELECTRICISTA QUALIFICADO
VOORZICHTIG MET EEN # GEWELKTE ONDERDELEN MOGEN AL EEN DOOR EEN BEVOEGD ELEKTRICIMONTIERER GEWONNEN WORDEN



INTRODUCTION

Congratulations on your purchase of this quality concrete mixer from Belle.

Read this manual carefully, observing all operating and safety instructions before, during and after using your machine, and maintain your machine in good working order.

This machine is manufactured to conform to the EEC directives currently in force, is issued with a declaration of conformity and therefore displays the CE mark, applicable in territories where they are enforced.

When maintaining this machine only the manufacturers original spare parts may be used. The user will lose any possible claims if replacement parts used are other than the makers original spare parts.

Retain this manual with your machine for future reference.

SAFETY AND ACCIDENT PREVENTION

Operation Instructions
 All persons who apply, assemble, operate, start, control, maintain or repair this machine, must read and understand the operating instructions.

Owner Responsibility:

The owner must ensure that only qualified persons operate, maintain or repair this machine.

STORAGE

When not in use, store in a dry, locked place. Keep away from children.

Operation for the Intended Purpose:

Mixers are intended for the production of concrete, mortar and plaster. The mixer must be used for its intended purposes and is not suitable for the mixing of flammable or explosive substances. The mixers must not be used in an

ELECTRICAL CONNECTION

The 110v & 230v mixer is double insulated to Class Protection IP24S rated.

The insulation will only remain effective if the original insulating parts are used for repairs and the space between the original insulation are maintained.

▲ Serious injury or death may occur if these instructions are not observed.

Only rubber cable leads to HO/RN-F specification may I with this machine. The cable sourced for use with this must not be of a lower IP rating than the motor enclosure.

COMBUSTION ENGINES

If the safety facilities are damaged or don't function correctly the mixer must not be used.

▲ Be aware of exhaust venting directions.

All the exhausts vent to the Left Hand Side of the machine when viewed from the rear of the machine. To maintain lubrication, all engine units must always be positioned on level ground.

MAINTENANCE AND REPAIRS

Only authorised persons should repair the mixer, and the requirements of the CE mark (where applicable) no deviation to the original specification must take place.

▲ Any maintenance and repairs carried out, the of the electric components must be undertaken by a qualified electrician.

SPARE PARTS

Contact your nearest Belle Dealer when ordering parts. Contact your nearest Belle Dealer when ordering parts. Contact your nearest Belle Dealer when ordering parts. Detail the part required by part number, description and quantity.



SAFETY INSTRUCTIONS

READ THESE SAFETY INSTRUCTIONS

Please read and understand all running/safety instructions before operating this machine.

Before starting the mixer:

- ▲ Check that all guards are in position and correctly fitted.
- ▲ **DO NOT** wear loose clothing or jewellery that may become entangled in the workings of this machine.
- ▲ Suitable clothing as follows should meet relevant EEC/European safety standards: overalls, work boots, goggles, face mask, gloves and ear defenders etc.
- ▲ **DO NOT** tip mixer onto the drum mouth when motor is running.
- ▲ Ensure that any trailing cable is protected against damage and not liable to be tripped over or trapped underneath the mixer.
- ▲ We recommend the use of an Residual Current

SAFETY INSTRUCTIONS

- ▲ **DO** become familiar with the controls before operating this machine.
- ▲ **DO** ensure that all guards are fitted in the correct position.
- ▲ **DO** ensure plenty of ventilation when running the engines in a confined area.
- ▲ **DO** replace any worn/damaged warning decals.
- ▲ **DO** ensure the drum is rotating while emptying it.
- ▲ **DO** always switch off and remove the plug from socket if leaving the machine unattended.
- ▲ **DO NOT** use as a wheel barrow. Disconnect from supply before moving.
- ▲ **BEWARE** of the Danger Zones & Hot Zones.
- ▲ **BE AWARE** of exhaust venting directions.
- ▲ Emergency Stop

MINIMIX 150

3114
6478



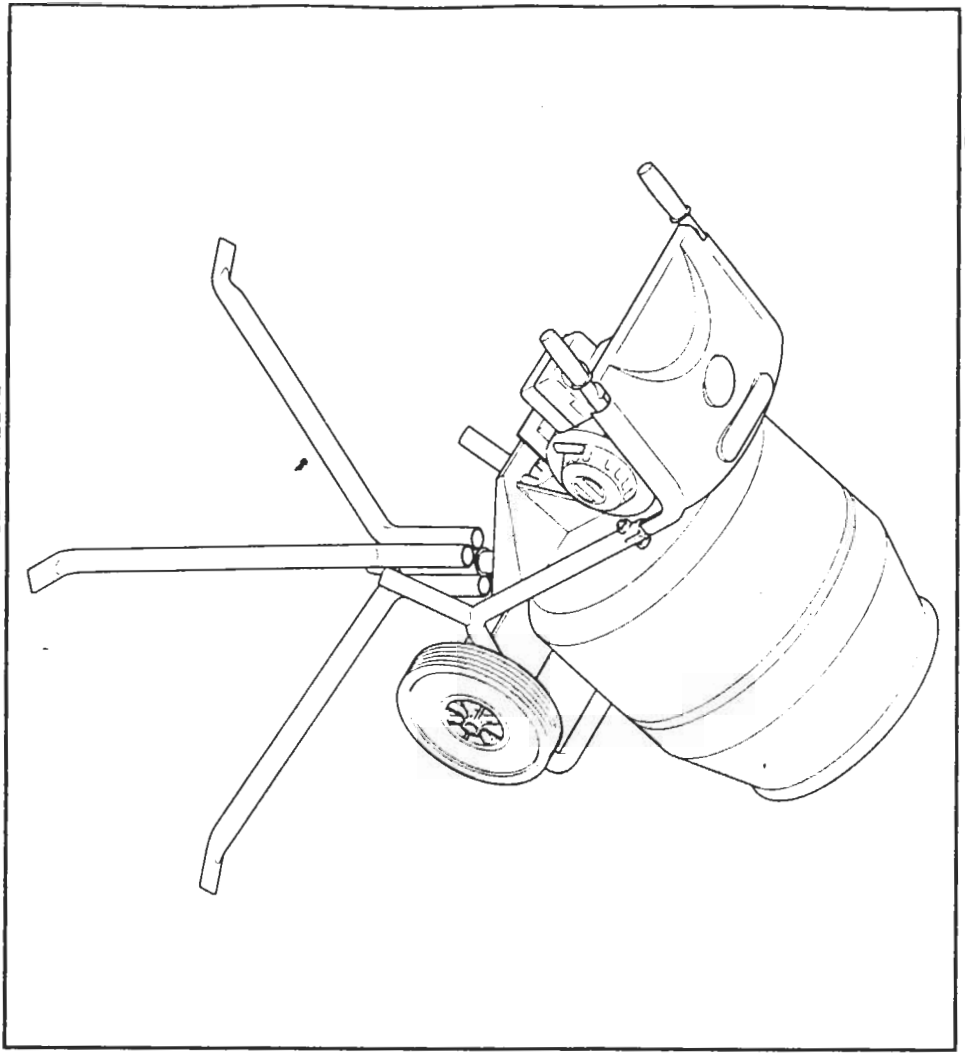
(GB) OPERATORS MANUAL

(F) MANUEL D'UTILISATION

(ESP) MANUAL DEL USUARIO

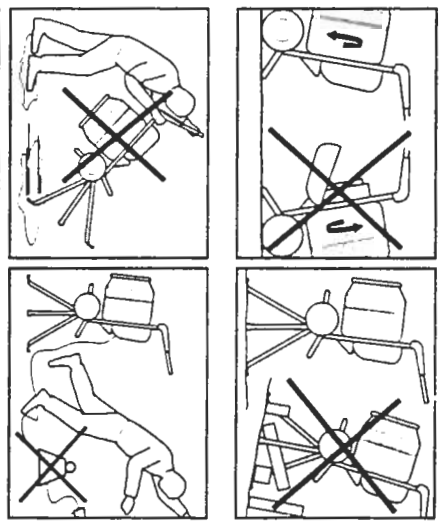
(P) MANUAL DO OPERADOR

(NL) GEBRUIKERSHANDLEIDING



PART NUMBER: 800/21330/1
 Belle Engineering (Sheen) Ltd. Sheen, Nr Buxton, Derbyshire, SK17 0EU ENGLAND
 SALES Tel: 01298 84606 SALES Fax: 01298 84722 SERVICE AND SPARES Fax: 01298 84901

- ▲ Keep area around the mixer clear of obstructions which could cause persons to fall onto moving parts.
- ▲ Always ensure mixer is on level ground before mixing.



MAINTENANCE

(GB) Before starting any maintenance or repairs, switch off motor, and isolate from the main power supply. On completion of maintenance, check that the mixer functions correctly and that all guards are correctly fitted.

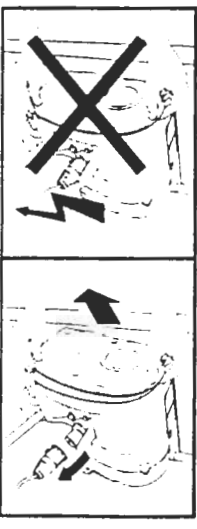
ELECTRIC MIXER
 All portable electric appliances are dangerous if abused. This machine will only operate on one voltage. Check the power supply to ensure it corresponds to the voltage as indicated on the rating label. **Make sure that the motor is switched off before you plug it into the power supply.**

230V - Always use a Residual Current Device ("RCD"), (earth leakage trip), plugged directly into the 230v socket. If using an extension cable, plug it directly into the RCD.
110V - When using a portable transformer it must have a minimum output of 2.5kw and to continuous rated.
 The symbols on the ON/OFF switch are 0 (Red)-OFF and 1 (Green)-ON in accordance with international standards.

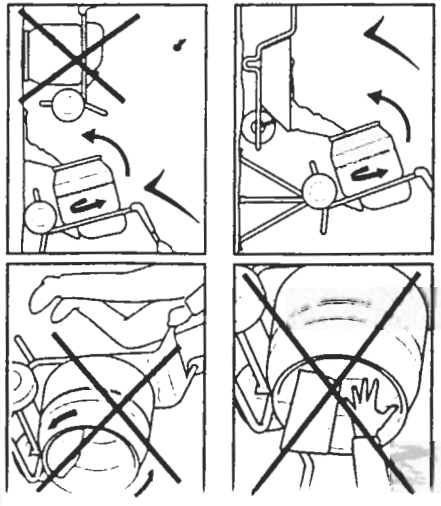
- ▲ DO NOT use an extension cable between the transformer and the power supply
- ▲ Always ensure that the cable between the 110v mixer and transformer is a minimum length of 3 metres.
- ▲ Ensure cable is fitted with cable clip to the mixer frame at all times.

EXTENSION CABLES

If you need to use an extension cable it must be no longer than 30 metres (100 feet) in length. The wire section must be 1.5mm² on 230v. Ensure that the extension cable is carefully laid out avoiding liquids, sharp edges and places where vehicles might run over it. Avoid allowing the extension cable to be tripped underneath the mixer. Unroll it fully or it will overheat and could catch fire. Make sure that any extension cable connections are dry and safe.



If your mixer catches fire, turn off the electric supply. Use dry powder or CO₂ fire extinguisher put out the fire. If the fire can not be put out, keep away and call the fire brigade. If you are in any doubt about the safety condition of your machine, please contact your Belle authorized Service Dealer.



ENGINE

Check oil regularly, level engine up when doing so. For 1hp engine fill or top up use a suitable engine oil of a 10W/30 grade in your own interests read the maker's instruction leaflet (see with the machine before starting up).

DRUM

This is instantly removable by unscrewing anti-clockwise. When replacing make sure that it is fully screwed home to the shaft or the shaft will break. Take care when screwing on the drum cleaning on last may damage the gearbox.

CLEANING

Wipe off any external material. DO NOT use petrol, turpentine, lacquer or paint thinner, dry cleaning fluids or similar products. Never let any liquids near the engine/motor. Use 1" gravel and clean water to clean the inside of the drum. NOT use bricks etc. as this will damage the drum.

FRAME

The hole on the underside of the frame is to drain away any water BELT

- ▲ All Belle mixers Electric/Petrol are fitted with a pre-tensioned toothed belt. No adjustment is necessary.
- ▲ DO NOT try to adjust with the motor running.

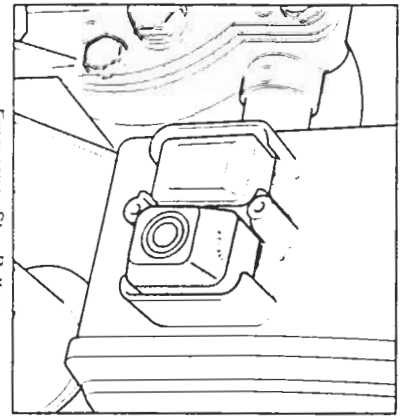
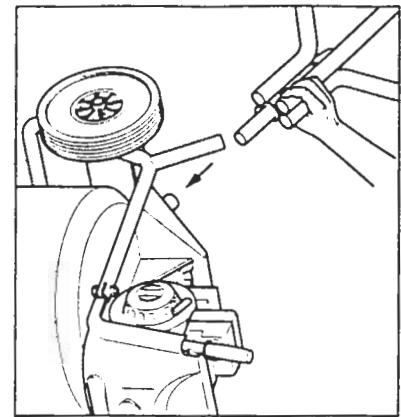
GEARBOX

The factory has preset the gearbox oil level. Before inspecting the gearbox oil level, make sure the gearbox is cold before removing the filler plug. Top up with EP90 or similar gear oil in the mix position to the level of the filler plug. To dismantle gearbox, remove drum and gearbox from the machine. Remove pulley, take out circlip, draw out shaft, unscrew 5 1/2" take off rear plate. Take care when reassembling, ensure the two are meshed correctly.

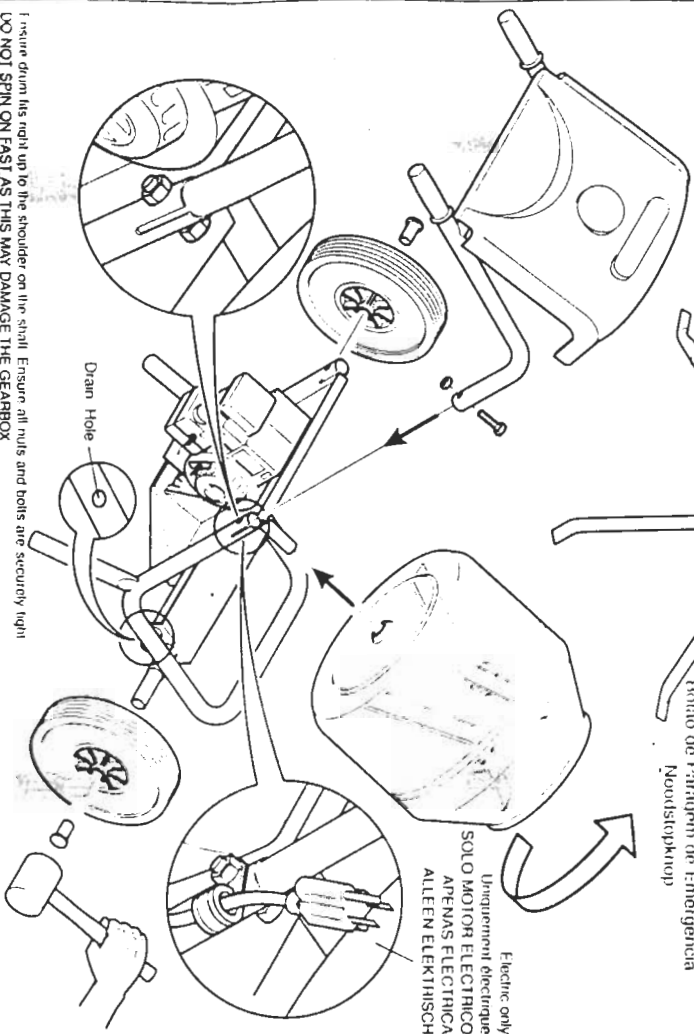
- ▲ Ensure the extension lead is always unplugged before the motor cover is removed.

Oil Fill Plug





Emergency Stop Button
 Bouton d'arrêt d'urgence
 Botón de parada de emergencia
 Botão de Paragem de Emergência
 Noodsstopknop



Electric only
 Uniquement électrique
 SOLO MOTOR ELECTRICO
 APENAS ELECTRICO
 ALLEEN ELEKTRISCH

Ensure drum fits right up to the shoulder on the shaft. Ensure all nuts and bolts are securely tight.
 Vérifier que le tambour s'engage à fond jusqu'à l'épaulement de l'arbre. S'assurer que tous les écrous et boulons sont correctement serrés.

UNE ROTATION TROP FAIBLE RISQUE D'ENDOMMAGER LA BOÎTE D'ENGRENAGES.
 Controlearse de que enroscas el tambor hasta el reborde en el eje. Compruebe que todos los tornillos y tuercas estén bien apretados. Evite las rotaciones excesivas.

NO LO HAGAS GIRAR MUY RÁPIDAMENTE, YA QUE PODRÁ DANARSE LA CAJA REDUCIDA.
 Assesure-se de que o tambor se adapta ao ombro no eixo. Assegure-se de que todos os parafusos e porcas estejam bem apertados. Evite a rotação excessiva.

NO LO ROTEE RÁPIDAMENTE PUES PODRÍA DANIFICAR A ENGRANAJES.
 Verifieer of de trommel vast tegen de kraag op de as zit. Controleer of alle moeren en bouten stevig zijn vastgedraaid.

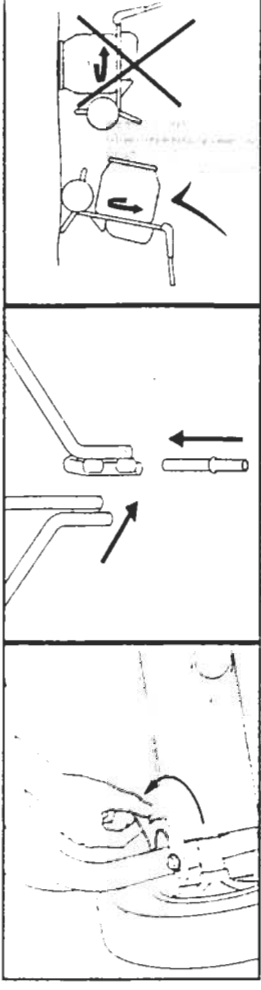
PLEASE NOTE: SUPPLIED WITH NO OIL IN PETROL ENGINE. IMPORTANT: FOURRI SANS HUILE DANS LE MOTEUR A ESSENCE.
 NOTA: EL MOTOR DE GASOLINA SE SUMINISTRA SIN ACEITE. E FAVOR NOTAR: TORNECIDO SEM OIL NO MOTOR A GASOLINA.

NI 150 ELECTRIC MINI 150 ELECTRIQUE MINI 150 ELECTRICA MINI 150 ELÉCTRICA MINI 150 ELEKTRISCH

(GB)	(F)	(ESP)	(P)	(NL)	110V 50Hz	230V 50Hz	230V 60Hz	415V 50Hz
Weight - Electric Poids - Electrique Peso del tambor Capacidad max. tambour Capacité maxi. malaxage Velocidad del tambor (tr./min)	Poids à vide - electrique Poids du support Capacité maxi. tambour Capacité maxi. malaxage Vitesse du tambour (tr./min)	Peso sin carga Peso del caballete Capacidad max. del tambor Capacidad max. de mezclado Velocidad del tambor (RPM)	Peso Descarregada - Eléctrica Peso do Suporte Capacidade Máxima do Tambor Capacidade Máxima de Mistura Velocidade do tambor (RPM)	Leeg gewicht - Elektrisch Gewicht standaard Maximale inhoud trommel Maximale menghoeveelheid Draaisnelheid trommel (t.p.m.)	57 kg 9.5 kg 136 ltr 90 ltr 24	57 kg 9.5 kg 136 ltr 90 ltr 24	57 kg 9.5 kg 136 ltr 90 ltr 24	57 kg 9.5 kg 136 ltr 90 ltr 24
Equipment Voltage Current Power Frequency RPM Protection System Consumption level	Equipement électrique Tension nominale Courant nominal Puissance nominale Fréquence de courant Régime du moteur (tr./min) Système de protection Consommation d'énergie Niveau sonore	Equipo eléctrico Tensión nominal Corriente nominal Potencia nominal Frecuencia RPM del motor Sistema de protección Consumo de energía Nivel de ruido	Equipamento Eléctrico Tensão Nominal Corrente Nominal Potência Nominal Frequência da Corrente RPM do Motor Sistema de Protecção Consumo de Energia Nível de Ruído	Elektrische uitrusting Nominale spanning Nominale stroom Nominale vermogen Netfrequentie Motortoerental Beschermingsklasse Energieverbruik Geluidsniveau	110V 5.5 amp 0.6 kw 50 Hz 2850 IP45 600 watts <70 dB(A)	230V 2.6 amp 0.55 kw 50 Hz 2850 IP45 550 watts <70 dB(A)	230V 3 amp 0.6 kw 60 Hz 3480 IP45 670 watts <70 dB(A)	415V 1 amp 0.55 kw 50 Hz 2780 IP45 550 watts <70 dB(A)
Dimensions Off stand On stand	Dimensions hors tout Hauteur (hors support) Hauteur (sur support) Largeur Longueur	Dimensiones exteriores Altura (sin caballete) Altura (con caballete) Anchura Longitud	Dimensões Totais Altura (Fora do suporte) Altura (No suporte) Largura Comprimento	Totale afmetingen Hoogte (zonder standaard) Hoogte (op standaard) Breedte Lengte	890 mm 1420 mm 605 mm 1220 mm	890 mm 1420 mm 605 mm 1220 mm	890 mm 1420 mm 605 mm 1220 mm	890 mm 1420 mm 605 mm 1220 mm

MINI 150 PETROL MINI 150 A ESSENCE MINI 150 GASOLINA MINI 150 A GASOLINA MINI 150 BENZINE

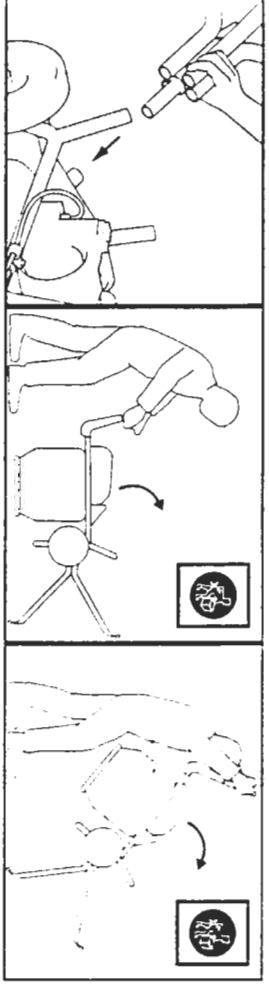
(GB)	(F)	(ESP)	(P)	(NL)	BRIGG & STRATTON	HONDA	ROBIN
Weight - Petrol Poids - Essence Peso del tambor Capacidad max. tambour Capacité maxi. malaxage Velocidad del tambor (tr./min)	Poids à vide - essence Poids du support Capacité maxi. tambour Capacité maxi. malaxage Vitesse du tambour (tr./min)	Peso sin carga Peso del caballete Capacidad max. del tambor Capacidad max. de mezclado Velocidad del tambor (RPM)	Peso Descarregada - Gasolina Peso do Suporte Capacidade Máxima do Tambor Capacidade Máxima de Mistura Velocidade do tambor (RPM)	Leeg gewicht - Benzine Gewicht standaard Maximale inhoud trommel Maximale menghoeveelheid Draaisnelheid trommel (t.p.m.)	61.5 kg 9.5 kg 136 ltr 90 ltr 24	59.5 kg 9.5 kg 136 ltr 90 ltr 24	60 kg 9.5 kg 136 ltr 90 ltr 24
Engine Fuel Power Level dB (A)	Moteur à combustion Modèle Type de combustible Puissance nominale Niveau sonore dB (A)	Motor de combustión Modelo Clase de combustible Potencia nominal Nivel de ruido - dB(A)	Motor de Combustão Modelo Tipo de Combustível Potência Nominal Nivel de Ruído dB (A)	Verbrandingsmotor Model Soort brandstof Nominale vermogen Geluidsniveau dB(A)	3.5HP IC Petrol 2.2 kw 83.4	G100 Petrol 1.65 kw 87	EY08 Petrol 1.2 kw 82.7
Dimensions Off stand On stand	Dimensions hors tout Hauteur (hors support) Hauteur (sur support) Largeur	Dimensiones exteriores Altura (sin caballete) Altura (con caballete) Anchura	Dimensões Totais Altura (Fora do suporte) Altura (No suporte) Largura	Totale afmetingen Hoogte (zonder standaard) Hoogte (op standaard) Breedte	890 mm 1420 mm 605 mm	890 mm 1420 mm 605 mm	890 mm 1420 mm 605 mm



DO NOT tip mixer onto drum mouth when motor is running.

NO vuelque la mezcladora contra la boca del tambor con el motor en marcha.

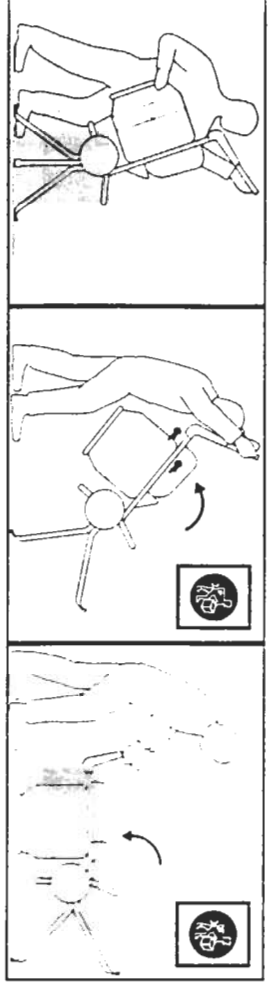
CAUTION Kantiel de betrommolen NIET op de trommelopening wanneer de motor draait



CAUTION whilst rotating mixer up into stand position, always lift from front of mixer.

PRECAUCION: Al girar la mezcladora a su posición vertical levántala siempre desde la parte delantera de la mezcladora.

LET OP! Als u de mixer naar de rechtopstaande stand draait moet u hem altijd aan de voorkant van de mixer ophalen



NOTE: When ready for dismantling the mixer, after use, follow all the previous procedures but in reverse order. Ensure Stand Chip is located correctly onto frame

NOTA: Cuando este listo para desmontar la mezcladora (después de utilizarla, siga todos los pasos anteriores en orden inverso). Asegúrese de que el chip del soporte está situado correctamente en el marco.

OPMERKING: Als u de mixer na gebruik uit elkaar wilt halen moet u de voorgaande procedures in omgekeerde volgorde uitvoeren

Controleer of de procedure-instructies goed worden gevolgd

Always confirm that the cable is the correct color. The cable which is connected to the terminal which is marked with the letter N or coloured Black. The wire which is coloured Brown must be connected to the terminal which is marked with the letter L or coloured Red.

Avertissement - Important Si les prises de courant de votre habitation ne conviennent pas pour la fiche fournie avec votre produit, il faut que vous emportiez la fiche (en la coupant si c'est une fiche mobile) et installer une fiche adéquate. Suivez minutieusement les instructions de câblage. Il ne faut pas connecter l'une ou l'autre des lignes à la fiche de terre. BLEU = NEUTRE MARRON = PHASE. Comme les couleurs des fils du câble secteur de cet appareil ne correspondent pas aux couleurs des terminaux de votre fiche, vérifiez l'ordre des fils. Le fil de couleur Bleu doit être connecté au terminal qui porte la lettre N ou de couleur Noir. Le fil de couleur Marron doit être connecté au terminal qui porte la lettre L ou de couleur Rouge.

Atención: Importante Si la toma de alimentación de su casa no es adecuada para el enchufe suministrado con su producto, deberá quitar el enchufe (cortando si es un enchufe móvil) e instalar un enchufe adecuado. Siga atentamente las instrucciones de cableado. No conecte ningún cable conductor al conector de tierra AZUL = NEUTRO MARRÓN = CORRIENTE. Debido a que los colores de los cables en el cable de alimentación de este aparato pueden no corresponder con los colores correspondientes que identifican a los terminales de su ficha, verifique el orden de los cables. El cable que está coloreado de Azul debe conectarse al terminal que está marcado con la letra N o de color Negro. El cable que está coloreado de Marrón debe conectarse al terminal que está marcado con la letra L o de color Rojo.

AVISO - IMPORTANTE Caso sus tomadas existentes en su casa no sean adecuadas para a ficha fornecida com o seu produto, esta deverá ser removida (se for uma ficha móvel) e instalar uma ficha nova e apropriada. Siga atentamente as instruções de ligação do cabeleiro. Não ligue nenhum dos fios do cabo de ligação à terra. AZUL = NEUTRO. CASTANHO = SOB TENSÃO. Dado que as cores dos fios do cabo da alimentação deste produto podem não corresponder às marcações coloridas que identificam os terminais da sua ficha, verifique da seguinte forma: O fio de cor Azul deve ser ligado ao terminal que está marcado com a letra N ou com a cor de Preto. O fio de cor Castanho deve ser ligado ao terminal que está marcado com a letra L ou com a cor Vermelho.

WAARSCHUWING - BELANGRIJK Als de stopcontacten in uw huis niet geschikt zijn voor de bij dit product geleverde stekker, moet u hem vervangen (geen andere stopcontacten gebruiken). Volg deze bedradingsinstructies zorgvuldig. Sluit de draad niet op de aarde aan. BLAUW = NUL. BRUIN = STROOM. Aangezien de draadkleuren in de stopcontact van de stroomkabel van dit apparaat kunnen afwijken van de kleur aanduidingen van de aansluitpunten in uw stekker, moet u als volgt te werk gaan: Sluit de Blauwe draad aan op het aansluitpunt dat met de letter N wordt aangegeven of Zwart is. Sluit de Bruine draad aan op het aansluitpunt dat met de letter L wordt aangegeven of Rood is.

WARNING DECALS **DECALCOMANIAS D'AVERTISSEMENT** **WARSCHUWINGSSTICKERS** **WARSCHUWINGSSTICKERS**



WEAR EAR PROTECTION
 Port de protection acoustique
 LLEVE OREJERAS
 UTILIZE PROTEÇÃO AUDITIVA
 RAAG OORBESCHERMERS



WEAR EYE PROTECTION
 Port de lunettes de protection
 LLEVE ANTEOJOS
 UTILIZE PROTEÇÃO OCULAR
 DRAAG OOGBESCHERMING



READ OPERATOR MANUAL
 Lire le manuel d'utilisation
 LEA EL MANUAL DEL USUARIO
 LEA O MANUAL DO OPERADOR
 LEES DE GEBRUIKERSHANDLEIDING



THIS WAY UP
 Haut
 ESTE LADO HACIA ARRIBA
 ESTE LADO PARA CIMA
 DEZE ZIJDE BOVEN



DO NOT HANG
 Ne pas suspendre
 NO DEBE COLGARSE
 NAO PENDURE
 NIET OPHANGEN



FIRE AND EXPLOSIVE RISK
 Risque d'incendie et d'explosion
 RIESGO DE INCENDIO Y EXPLOSION
 RISCO DE INCENDIO E DE EXPLOSAO
 BRAND- EN ONTPLOFFINGSGEVAAR



WEAR PROTECTIVE FOOTWEAR
 Port de chaussures de protection
 LLEVE CALZADO PROTECTOR
 UTILIZE CALZADO DE PROTEÇÃO
 DRAAG BESCHERMINGSCHOEISEL



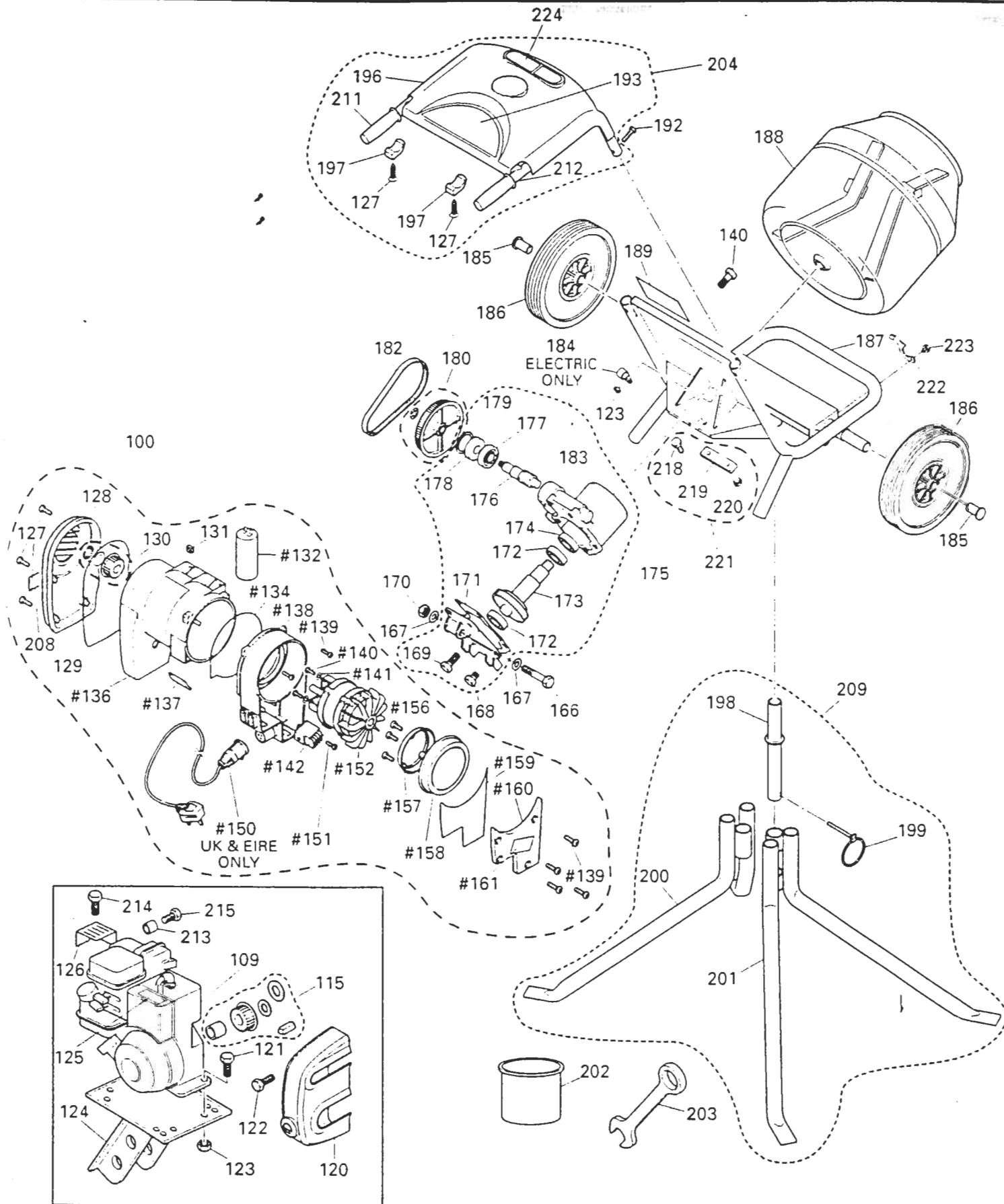
CAUTION TAKEN WHEN HANDLING
 Attention lors de la manipulation
 SE REQUIERE PRECAUCION AL MANIPULARIA
 TENHA CUIDADO DURANTE O MANUSEAMENTO
 VOORZICHTIG HANTIEREN



ONLY STACK 3 HIGH
 Emplage limité à 3 niveaux
 SOLO DEBE APLLARSE A 3 NIVELES
 EMPILHAR APENAS A 3 NIVEIS
 NIET MEER DAN 3 HOOG STAPELEN

Remove all packaging material before operating
Retire todos los materiales de empaque antes de manejarla
Retire todo o material de embalagem antes de operar
Remove all packaging material before operating
Retire todos los materiales de empaque antes de manejarla
Retire todo o material de embalagem antes de operar

SPARE PARTS PIÈCES DE RECHANGE REPUESTOS PEÇAS SOBRESSALENTES RESERVEONDERDELEN



⚠ CAUTION: PARTS WITH A # SHOULD ONLY BE FITTED BY A QUALIFIED ELECTRICIAN.
ATTENTION: LES PIÈCES MARQUÉES # DOIVENT ÊTRE MONTÉES PAR UN ÉLECTRICIEN QUALIFIÉ.
PRECAUCIÓN: LAS PARTES MARCADAS CON # SOLO DEBEN INSTALARSE POR UN ELECTRICISTA CAPACITADO.
CUIDADO: AS PEÇAS COM # SÓ DEVERÃO SER COLOCADAS POR UM ELECTRICISTA QUALIFICADO.
VOORZICHTIG: MET EEN # GEMERKTE ONDERDELEN MOGEN ALLEEN DOOR EEN BEVOEGD ELEKTROMONTEUR GEMONTEERD WORDEN.

Number	Number	Description	Price	Number	Number	Description	Price
100	900/30100	Motor Kit 230v 50Hz CEE17		166	9/12005	Bolt M12 x 70	
100A	900/30200	Motor Kit 230v 50Hz CEE7 Euro 1		167	4/1205	Washer Flat M12 Form B BZP	
100B	900/30300	Motor Kit 110v 50Hz CEE17		168	MS12	Mini Filler Bung	
100C	900/30400	Motor Kit 230v 50Hz (Australia)		169	7/8003	Screw Set M8 x 25 SQ Flow BZP	
100D	900/30500	Motor Kit 415v 50Hz		170	8/12002	Nut - M12 BZP	
100E	900/30600	Motor Kit 110v 50Hz (Japan)		171	MS11	Mini Gasket - Post 89	
100F	900/30700	Motor Kit 230v 60Hz Saudi Plug		172	CMS10	Ball Race 6006	
100G	900/30800	Motor Kit 230v 60Hz US Plug		173	MS09	Mini Wormwheel Drum Shaft	
108	900/30900	Motor Kit 230v 50Hz CEE7 Euro 2		174	CMS11	Oilseal - B407	
109	CMS19	Briggs and Stratton Engine		175	900/24700	Gearbox Assembly	
109A	MS15	Mini Honda Petrol Engine		176	900/24701	Mini Work Shaft	
109B	MS16	Mini Robin Petrol Engine		177	PS013	Ball Race 6004	
115	900/31000	Engine Pulley Kit (Briggs)		178	CMS41	Oilseal - 20 x 42.5 x 10 (89 on)	
115A	900/32600	Engine Pulley Kit (Honda)		179	MS22	Circlip - Mini	
115B	900/31100	Engine Pulley Kit (Robin)		180	900/30000	Gearbox Pulley Kit	
120	900/99927	Belt Guard		182	900/99915	Belt 540 Toothed	
121	7/8008	Screw M8 x 16 (Honda)		183	MS08	Mini Gearcase - Post June 89	
121A	9/8003	Boit M8 x 35 (Briggs & Robin)		184	900/10200	Clip Cable No.6	
122	7/10002	Screw 10 x 3/8" Self-Tap HEX BZP		185	900/11400	Retainer Wheel	
123	8/6001	Nut - M8 BZP		186	60/0286	Mini Rubber Wheel	
124	9CJ/33200	Engine Deck (Honda - Orange)		187	900/24800	Mainframe WA	
124A	900/33300	Engine Deck (Briggs & Robin - Black)		188	CMS12	Drum - Mini/Maxi	
125	800/21320	Decal Hot Parts Euro 1		189	800/21310	Danger Zone Decal Euro 1	
126	900/20600	Pressing Exhaust Guard		189A	800/21311	Danger Zone Decal Euro 2	
127	7/5017	Screw 5.5 x 25 Plasfast		189B	800/21313	Danger Zone Decal Row	
128	900/26103	Cap Belt Cover		192	9/8021	M8 Special Dome HD Bolt	
129	900/99907	Seal Belt Guard		193	800/21300	Top Cover Decal Euro 1	
130	900/29900	Electric Pulley Kit		193A	800/21301	Top Cover Decal Euro 2	
131	8/8007	Nut Lug M8		193B	800/21303	Top Cover Decal Row	
132	70/0135	Capacitor 25uF		195	900/99914	Top Cover (Minimix)	
132A	70/0136	Capacitor 110uF		196A	900/99930	Top Cover (Blank)	
134	900/99908	Seal Switch Housing		197	900/99918	Top Cover Clamp	
136	900/26101	Motor Housing		198	900/26600	Stand Adaptor WA	
137	900/26105	Cable Cover Insert		199	3/1007	Clip Linch Pin	
138	900/29300	Switch Housing 230v 50Hz CEE17		200	900/17100	Stand Bottom R/H WA (1boss)	
138A	900/28600	Switch Housing 230v 50Hz CEE7		201	900/17000	Stand Bottom L/H WA (2 boss)	
138B	900/28700	Switch Housing 110v 50Hz CEE17		202	1/0519	Paint - Ltr Tin Orange Rai-2004	
138C	900/28900	Switch Housing 230v 50Hz (Australia)		203	900/20500	Spanner M8	
138D	900/29000	Switch Housing 415v 50Hz		204	900/31700	Handle Assembly GA Euro 1	
138E	900/29100	Switch Housing 230v 60Hz (Japan)		204A	900/32100	Handle Assembly GA Euro 2	
138F	900/29200	Switch Housing 230v 60Hz US Plug		204B	900/31800	Handle Assembly GA ROW	
139	7/5016	Screw 5.5 x 16 Plasfast		208	800/21327	Decal Belt Cover	
140	7/8037	Screw Set Flanged M8 x 20		209	900/26500	Stand Assembly GA	
141	4/8008	Washer 5/16 x 1		211	900/99906	Handle Grp	
142	901/99921	Switch - NVR		212	900/25000	Handle WA	
142A	901/99923	Switch - NVR 110v		213	900/20700	Exhaust Guard Spacer	
142B	900/99924	Switch - on/off		214	7/8028	Screw Self Tapper	
150	900/18100	Cable Extension 240v NVR		215	7/8027	Screw Self Tapper	
151	7/0009	Screw 3.5 x 9.5 S/Tap Pozipan		218	9/10005	Bolt M10 x 45	
152	900/22100	Motor Mini 150 230v - 50Hz		219	900/99931	Plate Gearbox Support	
152A	900/22400	Motor 415v - 50Hz		220	8/10001	Nut M10	
152B	900/26800	Motor Mini 150 110v - 50Hz		221	900/32300	Gearbox Strengthener Plate Kit	
152C	900/27000	Motor 230v - 60Hz		222	900/99911	Stand Clip	
156	7/0008	Screw 4 x 19 Pozipan		223	7/8045	Taptite Flanged M8 x 12	
157	901/99915	Shield Motor Cover Inner		224	800/21340	Decal Belle 3000	
158	901/99916	Shield Motor Cover Outer		224A	800/21343	Decal Easymix 150	
159	900/99909	Seal - Switch Cover					
160	900/26104	Cap Switch Cover					
161	800/21250	Decal Motor Rating 230v-50Hz Euro 1					
161A	800/21260	Decal Motor rating 110v-50Hz Euro 1					
161B	800/21290	Decal Motor rating 415v-50Hz Euro 1					
161C	800/21261	Decal Motor Rating 110v-50Hz Row					
161D	800/21280	Decal Motor Rating 230v-60Hz Row					
161E	800/21251	Decal Motor Rating 230v-50Hz Euro 2					