

# AQA drink Drinking Water Tap

## Installation and Operating Instructions

### Specifications:

**Pressure Range:** 30 – 72 psi (2.1 – 5.0 bar)

**Temperature Range:** 40 – 77°F (5 – 25°C)

**Rated Service Flow:** 2.0 Lpm

### Parts Included:

- Tap body with U shaped swivel spout
- Base plate
- Base gasket
- Lower gasket
- Lower clamp
- Spring washer
- Locking nut
- Threaded Push-Fit fitting

### Tools required:

- Towel
- Drill
- Tape Measure
- File or Sandpaper
- Pencil
- Centre punch (optional)
- 6mm (1/4") Drill Bit
- 12.5mm (1/2") Drill Bit
- Adjustable spanner

### Precautions:

**WARNING:** Do not use with water that is microbiologically unsafe or of unknown quality without adequate disinfection before or after the system.

Systems certified for cyst reduction may be used on disinfected waters that may contain filterable cysts

**CAUTION:** Turn off water supply to filter if it will be left unattended for an extended period of time.



---

### Installations:

---

- For standard installation on filtered water systems using 6mm (1/4") food grade tubing /pipe
- For cold water use only.
- Make certain that installation complies with all local bylaws and regulations.
- Installation to other systems is permissible subject to water pressure and the use of WRAS approved fittings (not supplied)
- Please read all instructions and precautions before installing and using your under-sink drinking water system.

Thank you for purchasing this BWT stainless steel drinking water tap, suitable for new and existing filtered drinking water installations

### Tap Replacement

Your new tap is supplied with a ¼" (6mm) push fit connection to connect to existing pipework, please ensure this is the correct fitting for your installation.

The hole required to install the tap is ½" (12.5mm) diameter. The Base plate is 45mm in diameter, please ensure there is enough space to fit this ring in the proposed location.

### Existing Tap Removal

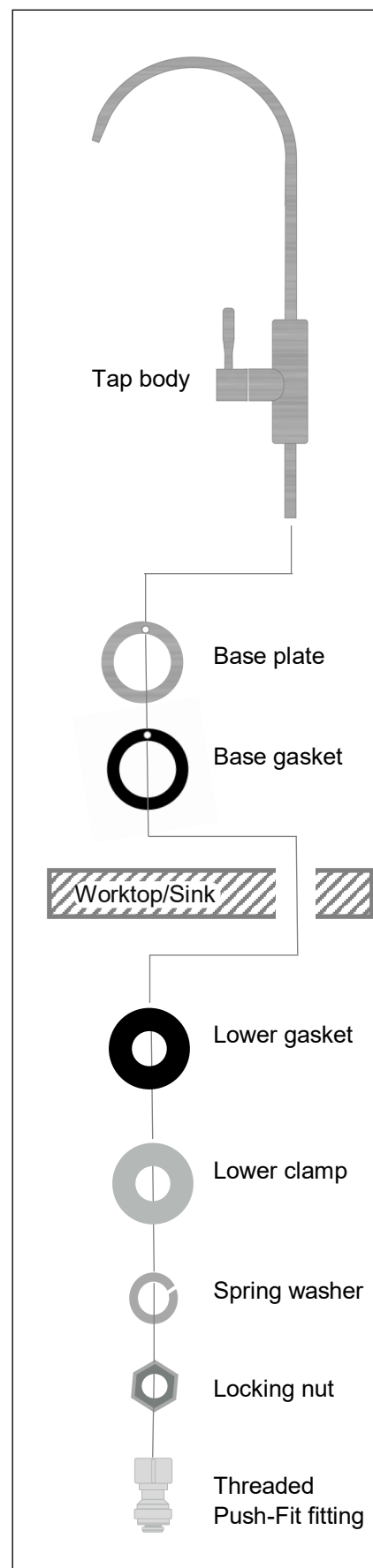
To replace an existing tap, ensure that the water supply is turned off and any residual pressure released from the existing tap.

Remove the feed pipe to the existing tap, if necessary; cut the tubing with a sharp knife, keeping the cut straight.

Undo any retaining nut(s) on the original tap and remove from its location.

### Installing Your Replacement Tap

1. Place the base ring and then the gasket over the threaded spigot on the tap.
2. Put the threaded spigot through the hole in the sink or worktop left by the existing tap.
3. From underneath the sink/worktop, fit the lower gasket and lower clamp ring up, using the threaded spigot as a guide.
4. Add the spring washer and loosely screw on the bottom nut.
5. Position the tap handle to suit your needs, and then tighten the bottom nut, making sure the tap is securely fixed.
6. To fit the push-fit adaptor, remove the securing clip from the threaded adaptor and then screw the adaptor onto the tap-threaded spigot, and ensure it is correctly tightened. (Do Not Over Tighten)
7. To fit the 6mm tube, make sure the tube is cleanly cut at 90° Now push the tubing fully into the fitting, making sure it is pushed fully home and lightly pull back to make a seal.
8. Replace the securing clip this will help in ensuring the pipe cannot be accidentally released.
9. Turn on the water supply slowly; open the lever on the tap to release any air.
10. When water is running freely, close the tap and check for leaks, recheck after 15 minutes.



## **New installation** (Stainless steel sinks and standard wooden worktops **ONLY**)



The BWT stainless steel upgrade tap is supplied with a ¼" (6mm) push fit connection.

The hole required to install the tap is ½" (12.5mm) diameter.

The Base plate is 45mm in diameter; please ensure there is enough space to fit this ring in the proposed location and the spout can discharge into the sink unobstructed.

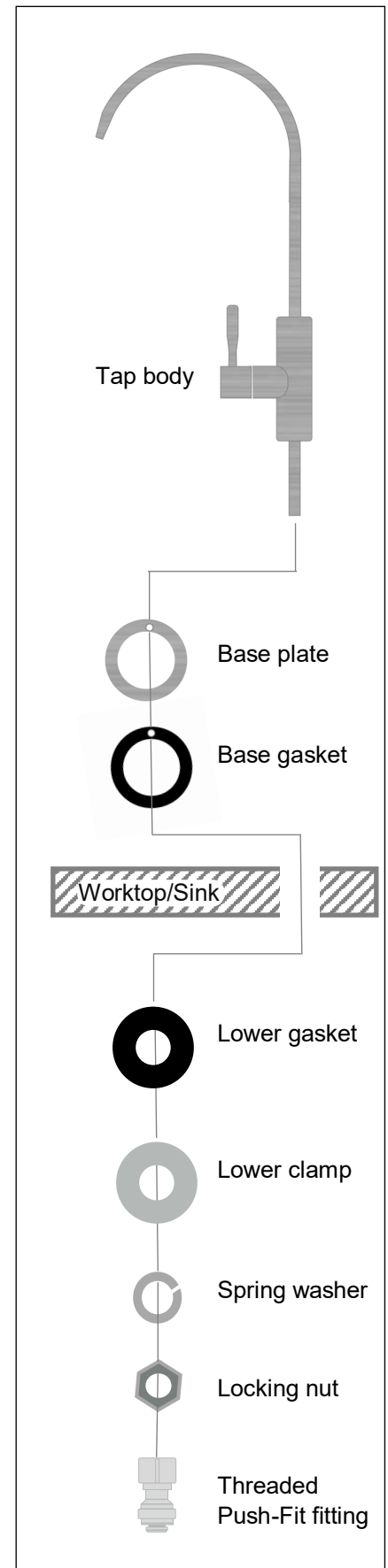
Do not attempt to drill through a porcelain sink or specialist worktop. In all such cases please consult a professional kitchen installer or plumber.



Before drilling the hole, ensure that the area underneath where you are going to drill is free of obstruction and it is safe to drill. **Ensure you are wearing the appropriate PPE (Personal protective equipment).**

### **Fitting the tap**

1. To prevent wood chippings, metal shavings, parts, or tools from entering the drain and damaging sink or disposal unit if fitted please line the sink with a suitable cloth or newspaper.
2. Using the base plate mark the desired location of the tap with a soft pencil. If fitting directly to a sink then using a centre punch, mark the centre of the proposed hole will help. Using the correct drill bit for the material to be drilled carefully drill a 6mm pilot hole using a suitable drill, finish the hole using a 12.5 mm diameter bit. Remove any burrs or sharp edges using a round or half round file.
3. Place the base ring and then the gasket over the threaded spigot on the tap.
4. Put the threaded spigot through the hole in the sink or worktop you have made.
5. From underneath the sink/worktop, fit the lower gasket and lower clamp ring up, using the threaded spigot as a guide.
6. Then add the spring washer and loosely screw on the bottom nut.
7. Position the tap handle to suit your needs, and then tighten the bottom nut, making sure the tap is securely fixed.
8. To fit the push-fit adaptor, remove the securing clip from the threaded adaptor and then screw the adaptor onto the tap-threaded spigot, and ensure it is correctly tightened. (Do Not Over Tighten)
9. To fit the 6mm tube, make sure the tube is cleanly cut at 90° Now push the tubing fully into the fitting, making sure it is pushed fully home and lightly pull back to make a seal.
10. Replace the securing clip this will help in ensuring the pipe cannot be accidentally released.
11. The pipe should now be connected to an appropriate filter system such as the BWT AQA drink range or to your drinking water supply using an appropriate WRAS approved connector. Once connected turn on the water supply slowly; open the lever on the tap to release any air.
12. When water is running freely, close the tap and check for leaks, recheck after 15 minutes.



**Customer Help Line: 01494 838 100**

**Monday to Thursday: 09.00 - 17:30 - Friday: 09:00 - 17:00**

## Europe's No.1 in Water technology

### CONTACT

BWT UK Limited,  
BWT House,  
Coronation Road,  
High Wycombe,  
Buckinghamshire,  
HP12 3SU

**Tel:** 01494 838 100

**Fax:** 01494 838 101

**Email:** [sales@bwt-uk.co.uk](mailto:sales@bwt-uk.co.uk)

BWT 2020. In the interests of product development, we reserve the right to alter specifications without prior notice. All photographs and dimensions are given for guidance only. Terms and conditions apply. E&OE.

[bwt.com](http://bwt.com)

For You and Planet Blue.

