

Original Instructions - MNL_ERI967NAL_GB_V5_230905

ERI967NAL

EAN: 5059340253220








ORIGINAL INSTRUCTIONS



V10823 BX220IM



EN

	Safety instructions	3
	Product description	13
	Assembly	21
	Use	23
	Care & maintenance	29
	Guarantee	34
	Declaration of conformity	35



EN



Safety instructions

GENERAL POWER TOOL SAFETY WARNINGS



WARNING! Read all safety warnings, instructions, illustrations and specifications provided with this power tool. Failure to follow all instructions listed below may result in electric shock, fire and/or serious injury.

Save all warnings and instructions for future reference.

The term “power tool” in the warnings refers to your mains-operated (corded) power tool or battery-operated (cordless) power tool.

WORK AREA SAFETY

- a) **Keep work area clean and well lit.** *Cluttered or dark areas invite accidents.*
- b) **Do not operate power tools in explosive atmospheres, such as in the presence of flammable liquids, gases or dust.** *Power tools create sparks which may ignite the dust or fumes.*
- c) **Keep children and bystanders away while operating a power tool.** *Distractions can cause you to lose control.*

ELECTRICAL SAFETY

- a) **Power tool plugs must match the outlet. Never modify the plug in any way. Do not use any adapter plugs with earthed (grounded) power tools.** *Unmodified plugs and matching outlets will reduce risk of electric shock.*



EN

- b) **Avoid body contact with earthed or grounded surfaces, such as pipes, radiators, ranges and refrigerators.** *There is an increased risk of electric shock if your body is earthed or grounded.*
- c) **Do not expose power tools to rain or wet conditions.** *Water entering a power tool will increase the risk of electric shock.*
- d) **Do not abuse the cord. Never use the cord for carrying, pulling or unplugging the power tool. Keep cord away from heat, oil, sharp edges or moving parts. Damaged or entangled cords increase the risk of electric shock.**
- e) **When operating a power tool outdoors, use an extension cord suitable for outdoor use.** *Use of a cord suitable for outdoor use reduces the risk of electric shock.*
- f) **If operating a power tool in a damp location is unavoidable, use a residual current device (RCD) protected supply.** *Use of an RCD reduces the risk of electric shock.*

PERSONAL SAFETY

- a) **Stay alert, watch what you are doing and use common sense when operating a power tool. Do not use a power tool while you are tired or under the influence of drugs, alcohol or medication.** *A moment of inattention while operating power tools may result in serious personal injury.*
- b) **Use personal protective equipment. Always wear eye protection.** *Protective equipment such as dust mask, non-skid safety shoes, hard hat, or hearing protection used for appropriate conditions will reduce personal injuries.*
- c) **Prevent unintentional starting. Ensure the switch is in the off-position before connecting to power source, picking up or carrying the tool.** *Carrying power tools with your finger on the switch or energising power tools that have the switch on invites accidents.*



EN

- d) **Remove any adjusting key or wrench before turning the power tool on.** *A wrench or a key left attached to a rotating part of the power tool may result in personal injury.*
- e) **Do not overreach. Keep proper footing and balance at all times.** *This enables better control of the power tool in unexpected situations.*
- f) **Dress properly. Do not wear loose clothing or jewellery. Keep your hair and clothing away from moving parts.** *Loose clothes, jewellery or long hair can be caught in moving parts.*
- g) **If devices are provided for the connection of dust extraction and collection facilities, ensure these are connected and properly used.** *Use of dust collection can reduce dust-related hazards.*
- h) **Do not let familiarity gained from frequent use of tools allow you to become complacent and ignore tool safety principles.** *A careless action can cause severe injury within a fraction of a second.*

POWER TOOL USE AND CARE

- a) **Do not force the power tool. Use the correct power tool for your application.** *The correct power tool will do the job better and safer at the rate for which it was designed.*
- b) **Do not use the power tool if the switch does not turn it on and off.** *Any power tool that cannot be controlled with the switch is dangerous and must be repaired.*
- c) **Disconnect the plug from the power source and/ or remove the battery pack, if detachable, from the power tool before making any adjustments, changing accessories, or storing power tools.** *Such preventive safety measures reduce the risk of starting the power tool accidentally.*



EN

- d) **Store idle power tools out of the reach of children and do not allow persons unfamiliar with the power tool or these instructions to operate the power tool.** *Power tools are dangerous in the hands of untrained users.*
- e) **Maintain power tools. Check for misalignment or binding of moving parts, breakage of parts and any other condition that may affect the power tool's operation. If damaged, have the power tool repaired before use.** *Many accidents are caused by poorly maintained power tools.*
- f) **Keep cutting tools sharp and clean.** *Properly maintained cutting tools with sharp cutting edges are less likely to bind and are easier to control.*
- g) **Use the power tool, accessories and tool bits etc. in accordance with these instructions, taking into account the working conditions and the work to be performed.** *Use of the power tool for operations different from those intended could result in a hazardous situation.*
- h) **Keep handles and grasping surfaces dry, clean and free from oil and grease.** *Slippery handles and grasping surfaces do not allow for safe handling and control of the tool in unexpected situations.*

BATTERY TOOL USE AND CARE

- a) **Recharge only with the charger specified by the manufacturer.** *A charger that is suitable for one type of battery pack may create a risk of fire when used with another battery pack.*
- b) **Use power tools only with specifically designated battery packs.** *Use of any other battery packs may create a risk of injury and fire.*
- c) **When battery pack is not in use, keep it away from other metal objects, like paper clips, coins, keys, nails, screws or other small metal objects that can make a connection from one terminal to another.** *Shorting the battery terminals together may cause burns or a fire.*



EN

- d) **Under abusive conditions, liquid may be ejected from the battery; avoid contact. If contact accidentally occurs, flush with water. If liquid contacts eyes, additionally seek medical help. *Liquid ejected from the battery may cause irritation or burns.***
- e) **Do not use battery pack or tool that is damaged or modified. *Damaged or modified batteries may exhibit unpredictable behaviour resulting in fire, explosion or risk of injury.***
- f) **Do not use battery pack or tool to fire or excessive temperature. *Exposure to fire or temperature above 130 °C may cause explosion.***
- g) **Follow all charging instructions and do not charge the battery pack or tool outside the temperature range specified in the instructions. *Charging improperly or at temperatures outside the specified range may damage the battery and increase the risk of fire.***

SERVICE

- a) **Have your power tools serviced by a qualified repair person using only identical replacement parts. *This will ensure that safety of the power tool is maintained.***
- b) **Never service damaged battery packs. *Service of battery packs should only be performed by the manufacturer or authorized service providers.***

NAILER SAFETY WARNINGS

- a) **Always assume that the tool contains fasteners. *Careless handling of the nailer can result in unexpected firing of fasteners and personal injury.***
- b) **Do not point the tool towards yourself or anyone nearby. *Unexpected triggering will discharge the fastener causing an injury.***
- c) **Do not actuate the tool unless the tool is placed firmly against the workpiece. *If the tool is not in contact with the workpiece, the fastener may be deflected away from your target.***

7



EN

- d) **Disconnect the tool from the power source when the fastener jams in the tool.** *While removing a jammed fastener, the nailer may be accidentally activated if it is plugged in.*
- e) **Use caution while removing a jammed fastener.** *The mechanism may be under compression and the fastener may be forcefully discharged while attempting to free a jammed condition.*
- f) **Do not use this nailer for fastening electrical cables.** *It is not designed for electric cable installation and may damage the insulation of electric cables thereby causing electric shock or fire hazards.*
- g) **Do not use this nailer to fix cables.** *It is not designed for electric cable installation and can damage the insulation of the cable, which can lead to electric shock or a fire hazard.*
- h) **Use suitable detectors to determine if there are hidden supply lines or contact the local utility company for assistance.** *Contact with electric cables can cause fire and electric shock. Damaging gas lines can lead to explosion. Breaking water pipes causes property damage.*
- i) Hold the product only by the handle grip (3) and ensure that the on/off trigger (2) is not pressed down in the work area.
- j) Consider the space that is available in the work area. Nails may penetrate thin workpieces or slide off workpieces during work on corners and edges, thus endangering person.
- k) Read the instructions carefully. Be familiar with the controls and the correct use of the product.
- l) Use the product only in daylight or good artificial light.
- m) Never allow children or people unfamiliar with these instructions to use the product. Local regulations can restrict the age of the operator.



EN

- n) Keep in mind that the operator or user is responsible for accidents or hazards occurring to other people or their property.
- o) Keep the area clear of all bystanders, children, and pets while operating the product.
- p) Remove the battery pack before carrying out maintenance or cleaning work.
- q) Use only the manufacturer's recommended accessories.
- r) Inspect and maintain the product regularly. Have the product repaired only by an authorized repairer.
- s) When not in use, store the product out of the reach of children.
- t) Store the product in a location where the ambient temperature is between 0°C and 40°C.

Additional safety warnings for battery pack

- a) **Battery pack needs to be charged before use.** *Always refer to the charger's instruction and charge it properly.*
- b) **Remove the battery pack from the product when not in use.**
- c) **Don't maintain the battery pack on the charger when not in use.**
- d) **After extended periods of storage, it may be necessary to charge and discharge the battery pack several times to obtain the maximum performance.**
- e) **Longer life and better performance can be obtained if the battery is charged when the air temperature is between 18°C and 24°C.** *Do not charge the battery in air temperature below 5°C or above 40°C. This is important as it can prevent serious damage to the battery.*
- f) **Do not charge battery in a damp or wet location.** *Following this rule will reduce the risk of electric shock.*
- g) **Do not disassemble the battery and avoid mechanical damage to the battery. Risk of short circuit and fumes may be emitted.** *Ensure fresh air and seek medical assistance in the event of discomfort.*



EN

- h) **When disposing of battery pack, keep the battery pack of different electrochemical systems separate from each other.**

HEALTH SURVEILLANCE

All employees should be part of an employer's health surveillance scheme to help identify any vibration related diseases at an early stage, prevent disease progression and help employees stay in work.

Vibration and noise reduction

To reduce the impact of noise and vibration emission, limit the time of operation, use low-vibration and low-noise operating modes as well as wear personal protective equipment.

Take the following points into account to minimise the vibration and noise exposure risks:

1. Only use the product as intended by its design and these instructions.
2. Ensure that the product is in good condition and well maintained.
3. Use correct attachments for the product and ensure they are in good condition.
4. Keep tight grip on the handles/grip surface.
5. Maintain this product in accordance with these instructions and keep it well lubricated (where appropriate).
6. Plan your work schedule to spread any high vibration tool use across a longer period of time.
7. Prolonged use of the product exposes the user to vibrations that can cause a range of conditions collectively known as hand-arm vibration syndrome (HAVS) e.g. fingers going white; as well as specific diseases such as carpal tunnel syndrome. To reduce this risk when using the product, always wear protective gloves and keep your hands warm.



EN

EMERGENCY

Familiarise yourself with the use of this product by means of this instruction manual. Memorise the safety directions and follow them to the letter. This will help to prevent risks and hazards.

- 1. Always be alert when using this product, so that you can recognise and handle risks early.** *Fast intervention can prevent serious injury and damage to property.*
- 2. Remove the battery pack if there are malfunctions.** *Have the product checked by a qualified professional and repaired, if necessary, before you operate it again.*

RESIDUAL RISKS

Even if you are operating this product in accordance with all the safety requirements, potential risks of injury and damage remain. The following dangers can arise in connection with the structure and design of this product:

1. Crushing hazard.
2. Risk of injury by nails.
3. Ear damage if working without ear protection.
4. Health defects resulting from vibration emission if the product is being used over long periods of time or not adequately managed and properly maintained.
5. Injuries and damage to property due to broken attachments or the sudden impact of hidden objects during use.



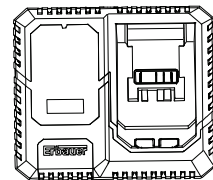
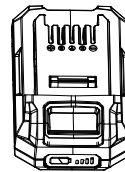
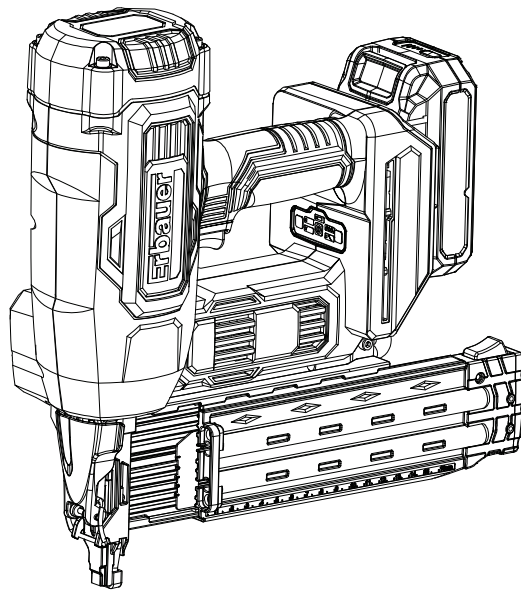
WARNING! This product produces an electromagnetic field during operation! This field may under some circumstances interfere with active or passive medical implants! To reduce the risk of serious or fatal injury, we recommend persons with medical implants to consult their doctor and the medical implant manufacturer before operating this product!



EN



WARNING! Please read all safety warnings carefully and be sure that they are fully understood before handling the tool.



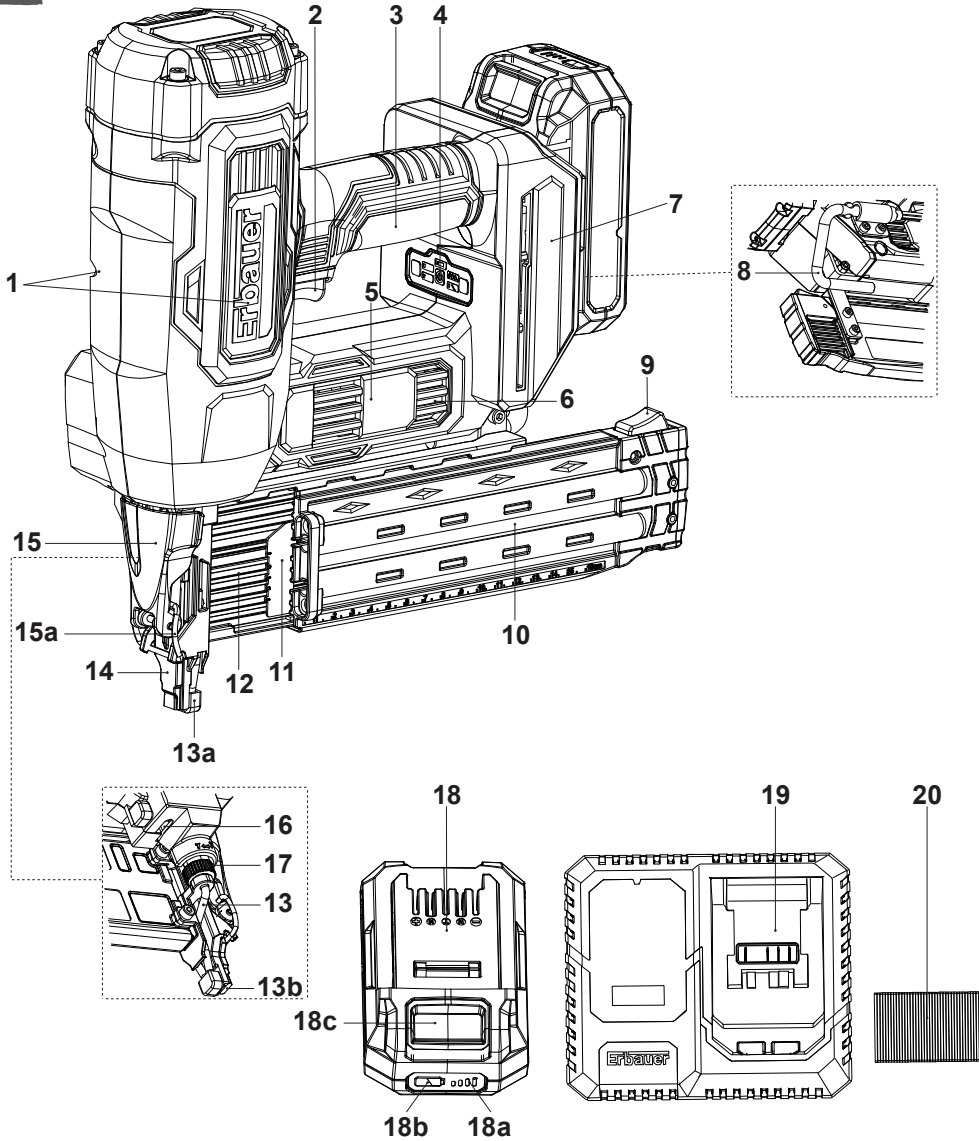


EN



Product description

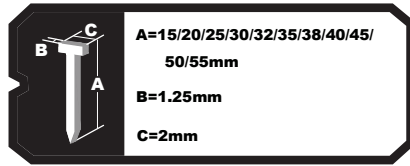
1



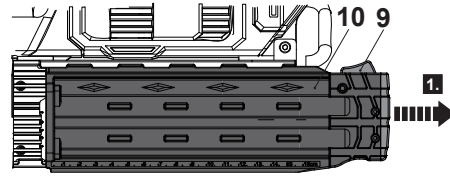


EN

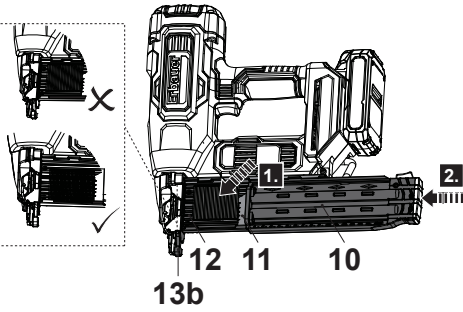
A



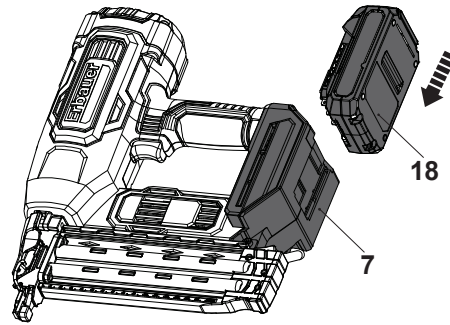
B



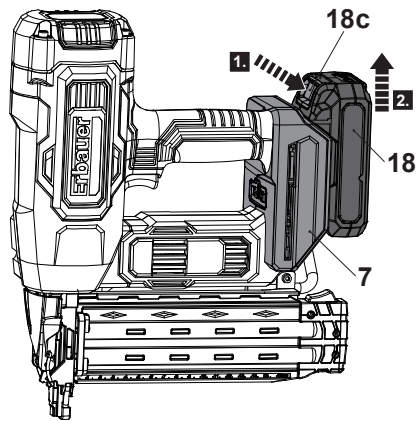
C



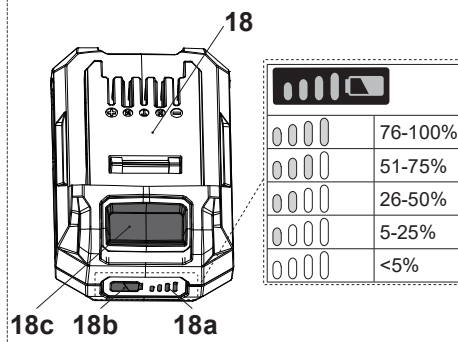
D



E

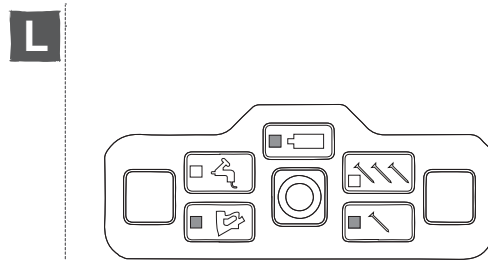
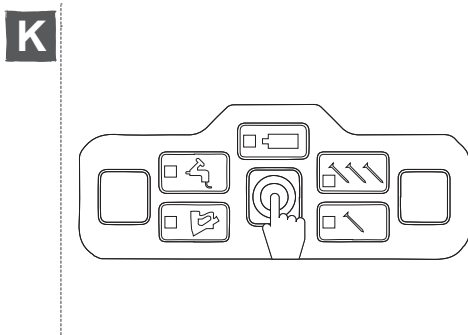
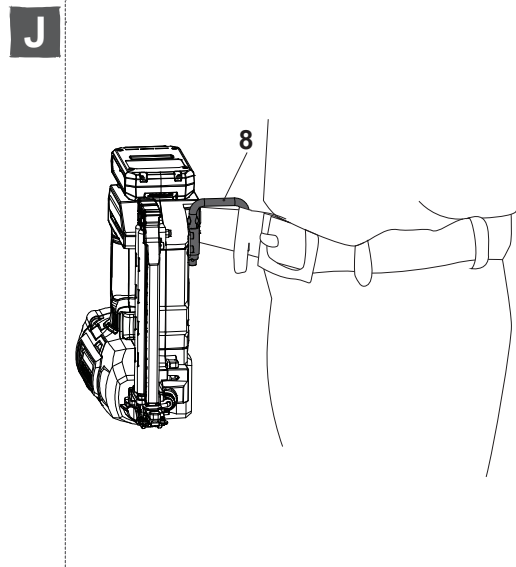
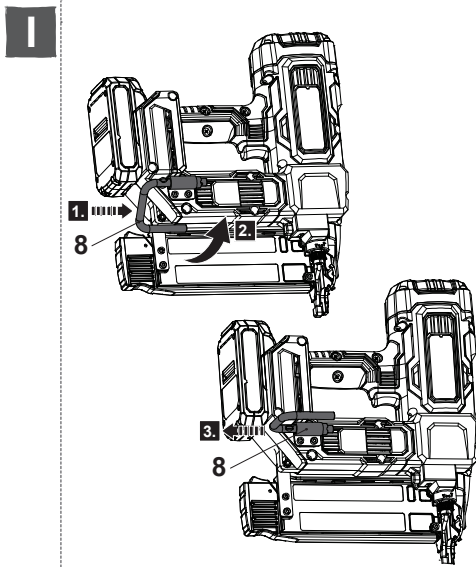
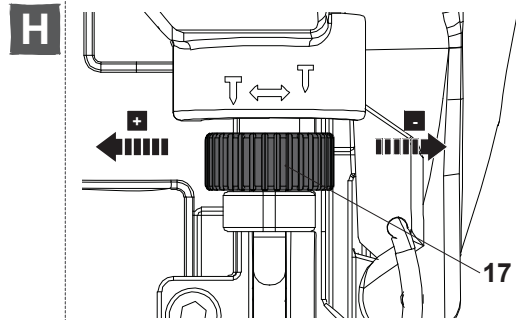
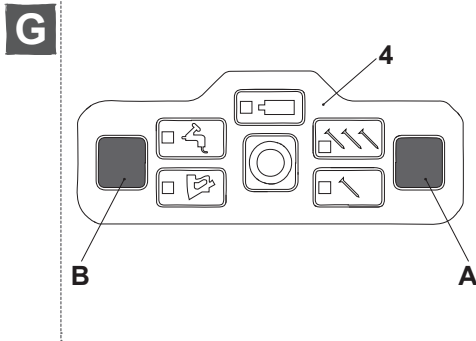


F





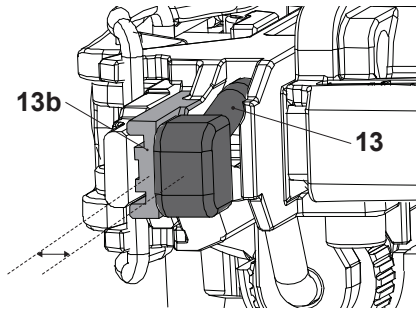
EN



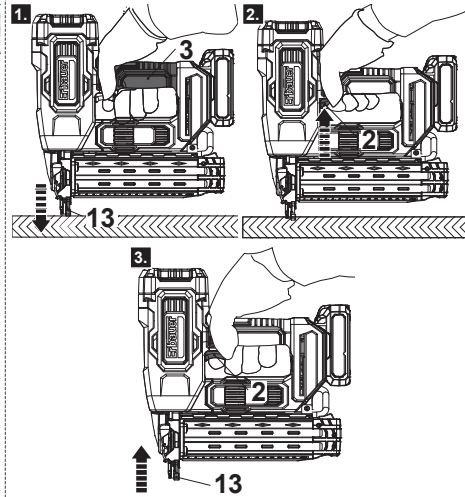


EN

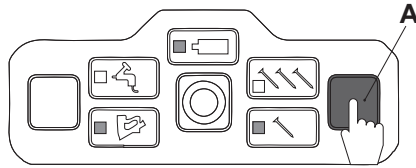
M



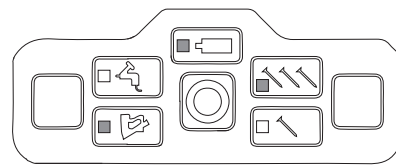
N



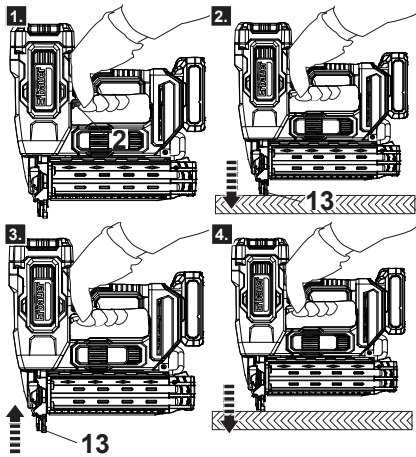
O



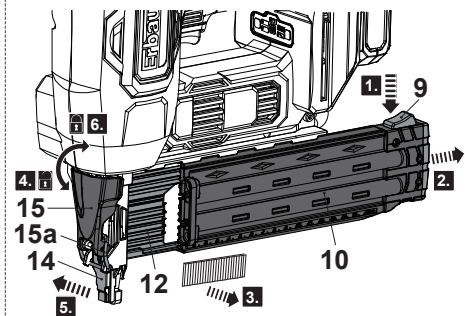
P



Q

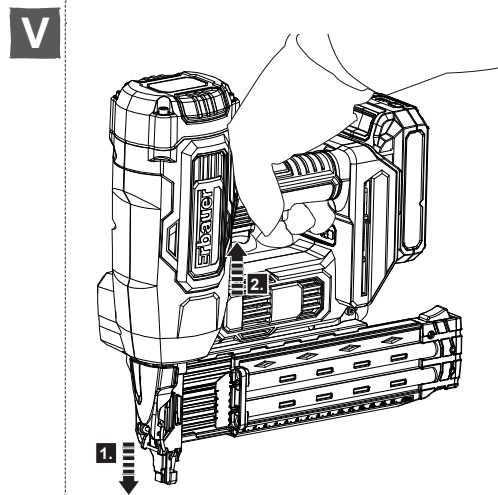
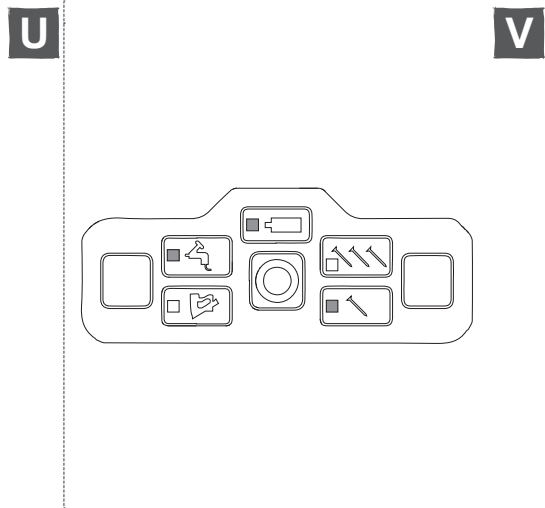
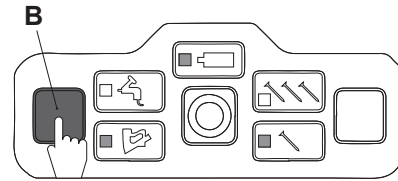
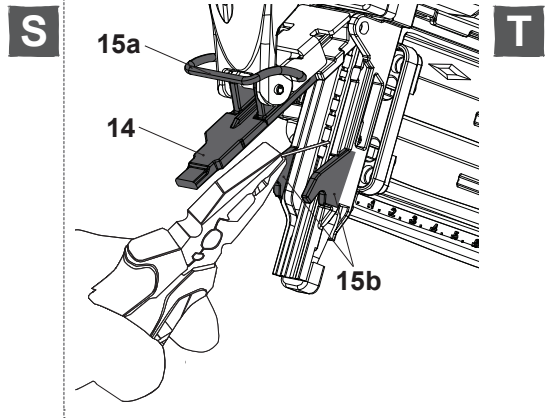


R





EN





EN



Product description

Part index

The index below refers to Fig. 1 on page 13.

- | | | |
|---------------------------|-------------------------------|---------------------------------|
| 1. Cylinder | 12. Magazine | 18. Battery pack (not supplied) |
| 2. On/off trigger | 13. Safety yoke | a) Battery capacity indicators |
| 3. Handle grip | a) Tip protector | b) Battery capacity button |
| 4. User interface | b) Shot duct | c) Release button |
| 5. Motor housing | 14. Face plate | 19. Charger (not supplied) |
| 6. Air vents | 15. Lock lever | 20. Nail strip |
| 7. Battery docking port | a) Lock ring | (50 mm x 100 nails) |
| 8. Belt hook | b) Hook* (x2) | |
| 9. Magazine cover release | 16. Work light | |
| 10. Magazine slider | 17. Depth of drive adjustment | |
| 11. Nailer feeder | | |

Symbols

On the product, the rating label and within these instructions you will find among others the following symbols and abbreviations. Familiarise yourself with them to reduce hazards like personal injuries and damage to property.

V	Volt, (direct current voltage)	mAh	Milliampere per hour
/min or min ⁻¹	Per minute	A	Ampere

mm	Millimetre	°C	Degree Celsius
g	Gram	kg	Kilogram

dB(A) Decibel (A-rated)



Read the instruction manual.



Note / Remark.



Caution / Warning.

yyWxx Manufacturing date code; year of manufacturing (20yy) and week of manufacturing (Wxx)



Always wear hearing protection.



Always wear eye protection.



EN



Wear a dust mask.



Wear protective gloves.



Wear protective, slip-resistant footwear.



Remove battery pack before assembly, cleaning, adjustments, maintenance, storage and transportation.



Do not expose the product to rain or wet conditions (moisture).



To prevent serious injury, keep your hands away from shot duct (13b)!



Do not stare into the light beam for longer periods. The optical radiation can be harmful for your eyes!



Ejected nails by the product could hit the user or other bystanders. Always ensure that other people and pets remain at a safe distance from the product when it is in operation. In general, children must not come near the area where the product is.

Minimum distance is 10 m.



Power indicator.



Inflation mode indicator.



Firing mode indicator.



Full sequential firing mode indicator.



Contact firing mode indicator.



Set the impact force from “high” to “low” (from left to right).



WEEE symbol. Waste electrical products should not be disposed of with household waste. Please recycle where facilities exist. Check with your Local Authority or local store for recycling advice.



Crossed out dust bin. Batteries and battery packs should not be disposed of with household waste. Please recycle where facilities exist. Check with your Local Authority or local store for recycling advice.



Do not dispose of battery packs in rivers or immerse in water.



Do not dispose of battery packs in fire. They will explode and cause injury.



Do not expose battery packs to heat in excess of 40°C.
Do not charge or store the battery pack in temperatures below 5°C (41°F) and above 40°C (104°F).



The product complies with the applicable European directives and an evaluation method of conformity for these directives was done.



UK Conformity Assessed.

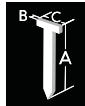
Technical data

General

Max. Rated voltage	: 18V
Impact rate	: 120 min ⁻¹
Magazine volume	: Up to 100 nails
Degree of protection	: IPX0
Weight	: approx. 2.7 kg
Dimensions	: approx. 310*120*280 mm

Nail strip

Type	: 18Ga Brad nails
Size	: A = 15/20/25/30/32/35/38/40/45/50/55 mm B = 1.25 mm C = 2.0 mm



For use with battery pack and charger as below

Battery pack model : 8701, EBAT18-Li-2, 8701.1, EHPB18-Li-4, 8702, EBAT18-Li-4, 8702.1, EBAT18-Li-5

Charger model : EC18-Li, EFC18-Li, EMC18-Li

Ambient temperature range for tool and battery use : -10°C to 40°C

Sound values

Sound pressure level L_{pA}	: 91.4 dB(A)
Uncertainty K_{pA}	: 3 dB(A)
Measured sound power level L_{WA}	: 102.4 dB(A)
Uncertainty K_{WA}	: 3 dB(A)

Hand arm vibration values

Handle $a_{h,w}$: 1.68 m/s ²
Uncertainty K	: 1.5 m/s ²

The sound value(s) have been determined according to noise test code given in [EN 60745-2-16](#), using the basic standards EN ISO 11203 and [EN ISO 3744](#). The sound intensity level for the operator may exceed 80 dB(A) and ear protection measures are necessary.

The declared total vibration value(s) and the declared noise emission value(s) have been measured in accordance with a standard test method and may be used for comparing one tool with another;

The declared total vibration value(s) and the declared noise emission value(s) may also be used in a preliminary assessment of exposure.



EN



WARNING! The vibration and noise emission during actual use of the power tool can differ from the declared total value depending on the ways in which the tool is used especially what kind of workpiece is processed; The need to identify safety measures to protect the operator that are based on an estimation of exposure in the actual conditions of use (taking account of all parts of the operating cycle such as the times when the tool is switched off and when it is running idle in addition to the trigger time).

Rating label explanation

ERI967NAL = Model Number

ER = ERBAUER (brand)

I = 18 V d. c. Li-Ion

967 = Sequence Code

NAL = Nailer



Assembly

01 Unpacking

1. Unpack all parts and lay them on a flat, stable surface.
2. Remove all packing materials and shipping devices, if applicable.
3. Make sure the delivery contents are complete and free of any damage. If you find that parts are missing or show damage, do not use the product but contact your dealer. Using an incomplete or damaged product represents a hazard to people and property.
4. Ensure all the accessories and tools needed for assembly and operation are at your disposal, including suitable personal protective equipment.



WARNING! The product and the packaging are not children's toys! Children must not play with plastic bags, sheets and small parts! There is a danger of choking and suffocation!



EN

02 You will need

(items not supplied)

Suitable personal protective equipment
Suitable nail strip
Suitable pliers

(items supplied)

Nail strip (50 mm x 100 nails)



NOTE: The accessories required depend on the intended application. Ask your dealer for advice.

03 Assembly



WARNING! Before using the product, familiarise yourself with the operating features read the entire instruction manual paying particular attention to the safety rules and operating procedures.



Do not connect the product to battery pack (18) before it is completely assembled!



Nails



WARNING! Only original nails that match to the precision parts of the nailer such as the magazine (12), the striker and the shot duct (13b) can be used.

Other manufacturers use different steel grades and sizes, which may damage the nailer.

Select the appropriate size of the nails as shown in Fig. A

Loading the magazine

1. Lay the nailer down on a stable, level surface.
2. Press the magazine cover release (9) and hold it in position, then pull the magazine slider (10) out of the back of the nailer until it stops (Fig. B, steps 1).
3. Fill the magazine (12) with the nail strip (20) and place it at the bottom of magazine guide rail (Fig. C, step 1). Ensure that the nail tips point towards the base of the product.

22



EN

4. After loading, push the magazine slider (10) back into the magazine (12) until it clicks into place (Fig. C, step 2). Ensure that the nail strip (20) is engaged between the shot duct (13b) and the nail feeder (11).



WARNING! Don't load nails of different lengths into the magazine (12) at the same time.

Don't mix nails into the magazine (12).

Don't use excessive force when opening, loading or closing the magazine (12).

04 Battery pack (not included)

Attaching / releasing the battery pack

1. Align the battery pack (18) with the sliding slots of the battery docking port (7) and slide the battery pack (18) in to attach it. Ensure it clicks in place (Fig. D).
2. Press the release button (18c) and remove the battery pack (18) from the battery docking port (7) (Fig. E, steps 1, 2).

Charging the battery pack

The battery pack (18) for this product has been shipped in a low charge condition. Charge it fully before first use.

Refer to the charger's instruction manual for the details.

Battery capacity indicators

The battery pack (18) is equipped with the battery capacity indicators (18a) which are used to give an indication of the battery pack's remaining capacity (Fig. F). Refer to the battery pack's instruction manual for details.



Use

Intended use

This cordless 55mm Nailer **ERI967NAL** is designated with a rated voltage of 18 V \equiv . It is designed only to be used with the battery pack which is listed in the chapter of "Technical specifications".

The product is intended for nailing fabrics, leather, cardboard, foils, insulation material and similar materials to a soft surface, such as wood or wood-like materials. The product is not suitable for fastening wall or ceiling panelling.



EN

Do not use the product for any other purpose.
For safety reasons it is essential to read the entire instruction manual before first operation and to observe all the instructions therein.

Before you start

01 Protection



Controls




01 User interface

Use the user interface (4) to set operation program, check product status (Fig. G).

Symbol	Definition	Function
	Power switch button	On: Press and hold the power switch button for more than 0.5 seconds to switch on the product after connecting a fully charged battery pack; The work light (16) will automatically light up the tip portion of the product. OFF: Press and hold the power switch button for more than 0.5 seconds to switch off the product. All indicators on the user interface (4) will turn off.
	Power indicator	The power indicator will light up to indicate that the power is on. When the battery is near empty, the power indicator will turn red.
	Full sequential firing mode indicator	The full sequential firing indicator will light up for full sequential firing, this is beneficial for the precision placement of nails one after the other.
	Contact firing mode indicator	The contact firing indicator will light up for contact firing, this is beneficial for the rapid insertion of nails without having to release the on/off trigger (2).



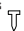
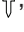
EN

Symbol	Definition	Function
	Mode button	Firing mode button (A): Press the mode button(A) to shift the full sequential / contact firing mode. Inflating/firing mode button (B): Press and hold the mode button (B) for more than 2 seconds to switch between full inflating/firing mode.
	Firing mode indicator	The firing mode indicator will light up for nailing operation.
	Inflation mode indicator	The inflation mode indicator will light up during exchanging internal components. Please go to after service for maintenance only.

02 Depth of drive adjustment



WARNING! Select the lowest impact force sufficient for nailing. Take into account the length of the nails you are using as well as hardness of the material you are working with.


1. Turn the depth of drive adjustment (17) to the marking “” to achieve deeper penetration (Fig. H).
2. Turn the depth of drive adjustment (17) to the marking “” to achieve lower penetration.

03 Belt hook



WARNING! When the nailer is attached to the belt, position yourself to avoid entanglement with surrounding objects.

The belt hook (8) is already pre-assembled on the left side of the product.

1. When using the belt hook (8), press and hold the power switch button  for more than 0.5 seconds to switch off the product if needed.
2. Press the belt hook (8) in its compressed direction, and then rotate the belt hook (8) counter-clockwise by approx. 130 degrees until you hear a slight click and lock sound, then release the belt hook (8) (Fig. I, steps 1, 2, 3).
3. The belt hook (8) can be hooked on your belt or pocket as shown in Fig. J.
4. Follow the same steps above to retract the belt hook (8) at the opposite angle.



EN





Operation

1. Check the product, battery pack (not supplied) and charger (not supplied) as well as accessories for damage before each use. Do not use the product if it is damaged or shows wear. Take care of any problem you find or have the product checked by qualified specialist.
2. Double check that the accessories and tool attachments are properly fixed.
3. Always hold the product on the handle grip (3). Keep the handle dry to ensure safe operation.
4. Ensure that the air vents (6) are always unobstructed and clear. Clean them if necessary with a soft brush. Blocked air vents may lead to overheating and damage the product.
5. Remove the battery pack (18) immediately if you are disturbed while working by other people entering the working area.
6. Do not overwork yourself. Take regular breaks to ensure you can concentrate on the work and have full control over the product.
7. While working, ensure that the product does not strike hard objects, as this can cause damage.

01 Checking



NOTE: Before operating the product, perform the following tests to check the function of the safety yoke (13) and the on/off trigger (2).

1. Remove the nails out of the magazine (12).
2. Connect a fully charged battery pack (18) to the battery docking port (7).
3. Press and hold the power switch button  for more than 0.5 seconds to switch on the product (Fig. K).
4. The power indicator , the firing mode indicator  and the full sequential firing mode indicator  will light up as shown in Fig. L.
5. Press the safety yoke (13) on a piece of scrap soft wood, then squeeze the on/off trigger (2). The safety yoke (13) and the on/off trigger (2) should move smoothly.
6. Lift the safety yoke (13) from the scrap soft wood, check if the safety yoke (13) will be automatically drawn back.
7. Squeeze the on/off trigger (2) without pressing the safety yoke (13), the firing should not be performed.
8. If any malfunctions occur, stop using the product immediately and return to the dealer.



EN





Important safety features

1. In full sequential firing operation mode, pull the on/off trigger (2) within 5 seconds after the safety yoke (13) is pressed, the nailer will fire once; pull the on/off trigger (2) later than 5 seconds after the safety yoke (13) is pressed, the nailer will not fire.
2. The power switch cannot be turned on when the safety yoke (13) or/and the on/off trigger (2) are pressed down.
3. If the power switch is turned on for 30 minutes without using the nailer, the power switch will automatically turn off; When not using the nailer, please do not turn on the power switch, otherwise it may cause accidents.



NOTE: There is a gap between the safety yoke (13) and the shot duct (13b). Make several trials to nail at your desired position (Fig. M).


02 Full sequential firing operation

1. Ensure the battery pack (18) is assembled on the battery docking port (7).
2. Insert the nail strip (20) in the magazine (12).
3. Press and hold the power switch button  for more than 0.5 seconds to switch on the product (Fig. K).
4. The power indicator , the firing mode indicator  and the full sequential firing mode indicator  will light up as shown in Fig. L.
5. Turn the depth of drive adjustment (17) to a suitable setting.
6. Ensure that no people or animals are in the work area.
7. Hold the product firmly on the handle grip (3) with one hand. Always keep your hand away from the shot duct (13b).
8. Press the safety yoke (13) onto the material/workpiece that you want to nail (Fig. N, step 1).
9. Maintain the contact pressure and briefly press the on/off trigger (2) (Fig. N, step 2).
10. Once the nail from the shot duct (13b) has been completely driven in, release the on/off trigger (2) and lift the safety yoke (13) from the workpiece (Fig. N, step 3). Never fire again at the same spot.
11. Repeat step 1 to step 3 for performing more firings.



NOTE: In full sequential firing mode, the safety yoke (13) should be pressed before squeezing the on/off trigger (2). Carefully set the safety yoke (13) down on the material. Soft workpieces (e.g. pine wood) could be damaged if you press down too hard.

03 Contact firing operation

1. Press the firing mode button (A) to switch the firing mode to "Contact firing mode" (Fig. O).
2. The contact firing mode indicator  will light up as shown in Fig. P.

27



EN

3. Ensure that no people or animals are in the work area.
4. Hold the product firmly on the handle grip (3) with one hand. Always keep your hand away from the shot duct (13b).
5. Press the on/off trigger (2) and hold it in position (Fig. Q, step 1).
6. Press the safety yoke (13) onto the material/workpiece that you want to nail (Fig. Q, step 2).
7. After the firing, release the safety yoke (13) and move it to next nailing position (Fig. Q, step 3). Don't release the on/off trigger (2).
8. Press the safety yoke (13) to fire again (Fig. Q, step 4).
9. Repeat step 3 to step 4 for performing more firings.



NOTE: In contact firing mode, keep squeezing the on/off trigger (2) before pressing the safety yoke (13) onto the material/workpiece.



WARNING! Wear safety gloves when working on the nails and close to them!




To prevent serious injury, keep your hands away from shot duct (13b)! Remove the battery pack (18) while loading the magazine or conducting any intermediate checks.



Use appropriate tools to remove debris, e. g. a brush! Never use your bare hands!



After use

1. Release the on/off trigger (2) and the safety yoke (13).
2. Press and hold the power switch button  for more than 0.5 seconds to switch off the product.
3. Ensure that all indicators on the user interface (4) are turned off.
4. Remove the battery pack (18) and let it cool down.
5. Remove the nails from the magazine (12).
6. Check, clean and store the product as described below.



EN



Care & maintenance



WARNING! Always remove the battery pack (18) and let the product cool down before performing inspection, maintenance and cleaning work!



1. Keep the product clean. Remove debris from it after each use and before storage.
2. Regular and proper cleaning will help ensure safe use and prolong the life of the product.
3. Inspect the product before each use for worn and damaged parts. Do not operate it if you find broken and worn parts.



WARNING! Only perform repairs and maintenance work according to these instructions! All further works must be performed by a qualified specialist!

Clean

1. Clean the product with a damp cloth and pH-neutral soap. Use a brush for areas that are hard to reach.
2. In particular clean the air vents (6) after every use with a cloth and brush.
3. Remove stubborn dust with high pressure air (max. 3 bar).



NOTE: Do not use chemical, alkaline, abrasive or other aggressive detergents or disinfectants to clean this product as they might be harmful to its surfaces.

4. Check for any damage and wear. Repair damages in accordance with this instruction manual or take it to an authorised service centre before using the product again.



EN

Maintenance

Before and after each use, check the product and accessories (or tool attachments) for wear and damage. If required, exchange them for new ones as described in this instruction manual. Observe the technical requirements.

Removing jams

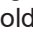






WARNING! Wear safety gloves when working on the nails and close to them!



Use proper tools to remove jammed nail! Never use your bare hands! The jammed nail should be removed before being put back into use, otherwise the mechanical device will be permanently damaged.

If a nail is caught in the magazine or unit, please proceed as follows:

1. Remove the battery pack (18).
2. Press the magazine cover release (9) and hold it in position, then pull the magazine slider (10) out of the back of the nailer until it stops (Fig. R, steps 1, 2).
3. Remove all nails in the magazine (12) (Fig. R, step 3).
4. Rotate the lock lever (15) downwards and detach the lock ring (15a) from the hooks (15b) (Fig. R, step 4).
5. Open the face plate (14) and hold it in position (Fig. R, step 5).
6. For the jammed nail, remove it with a suitable plier (not supplied) (Fig. S).
7. Secure the face plate (14) in reverse order (Fig. R, step 6). Ensure that the lock ring (15a) is correctly engaged in the hooks (15b).
8. Keep the magazine (12) open and insert the battery pack (18),
9. Press and hold the power switch button  for more than 0.5 seconds to switch on the product (Fig. K).
10. The power indicator , the firing mode indicator  and the full sequential firing mode indicator  will light up as shown in Fig. L.
11. Press and hold the inflating/firing mode button (B) for more than 2 seconds to switch the firing mode to the inflating mode (Fig. T).
12. The inflating mode indicator  will light up as shown in Fig. U.
13. Attempt to fire once on a piece of scrap soft wood (Fig. V, steps 1, 2), and the shot duct (13b) will be cleared by the strong airflow.



EN



NOTE: Only one firing is possible in the inflating mode. The firing mode button (A) or the inflating/firing mode button (B) will be disabled later, press the power switch button to restart the product.

14. Follow the “full sequential firing operation” and attempt to fire 3-4 times on a piece of scrap soft wood.
15. If any malfunctions occur, stop using the product immediately and return to the dealer.

Repair

This product does not contain any parts that can be repaired by the consumer. Contact an authorised service centre or a similarly qualified person to have it checked and repaired.

Storage

1. Remove the battery pack (18) and empty the magazine (12).
2. Clean the product as described above.
3. Clean and lubricate the safety yoke (13) as needed.
4. Store the product and its accessories in a dark, dry, frost-free, well-ventilated place.
5. Always store the product in a place that is inaccessible to children. The ideal storage temperature is between 10 °C and 30 °C.
6. We recommend using the original package for storage or covering the product with a suitable cloth or enclosure to protect it against dust.
7. Charge the battery pack (18) before long-term storage.

Transportation

1. Remove the battery pack (18) and empty the magazine (12).
2. Attach transportation guards, if applicable
3. Always carry the product by its handle grip (3).
4. Protect the product from any heavy impact or strong vibrations which may occur during transportation in vehicles.
5. Secure the product to prevent it from slipping or falling over.



EN

Troubleshooting

Suspected malfunctions are often due to causes that the users can fix themselves. Therefore check the product using this section. In most cases the problem can be solved quickly.



WARNING! Only perform the steps described within these instructions! All further inspection, maintenance and repair work must be performed by an authorised service centre or a similarly qualified specialist if you cannot solve the problem yourself!

Problem	Possible cause	Solution
1. Product does not start	1.1. Battery pack is not properly attached 1.2. Battery pack is discharged 1.3. Battery pack is damaged 1.4. No firing after operating the on/off trigger (2) and safety yoke (13) 1.5. Other electrical defect to the product	1.1. Attach properly 1.2. Remove and charge battery pack 1.3. Check by a specialist electrician 1.4. Refer to section "Full sequential firing operation" or "Contact firing operation" 1.5. Check by a specialist electrician
2. Product does not reach full power	2.1. Battery pack capacity is too low 2.2. Air vents are blocked	2.1. Charge battery pack 2.2. Clean the air vents
3. Unsatisfactory working result	3.1. The driven nails are not flush with the work surface 3.2. Improper nails are used	3.1. Choose suitable impact force 3.2. Choose suitable size nails
4. The firing suddenly stops	4.1. Battery pack is discharged 4.2. Battery pack is too hot 4.3. Nail is blocked 4.4. Magazine (12) is empty	4.1. Remove and charge battery pack 4.2. Remove battery pack and let it cool down 4.3. Remove jam 4.4. Refill the magazine (12)
5. Excessive vibration or noise	5.1. Face plate (14) is loose 5.2. Bolts/nuts are loose	5.1. Secure the face plate (14) 5.2. Tighten bolts/nuts



EN

Recycling and disposal



Waste electrical products should not be disposed of with household waste. Please recycle where facilities exist. Check with your Local Authority or local store for recycling advice.

For further information visit www.recycle-more.co.uk.

The product comes in a package that protects it against damage during shipping. Keep the package until you are sure that all parts have been delivered and the product is working properly. Recycle the package afterwards.

Disposal of an exhausted battery pack



The battery is Li-Ion type. To preserve natural resources, please recycle or dispose of the battery pack properly. Consult your local waste authority for information regarding available recycling and / or disposal options.

Discharge your battery pack by operating your tool, then remove the battery pack from the tool and cover the battery pack connections with heavy duty adhesive tape to prevent short circuit and energy discharge.

Do not attempt to open or remove any of the components.



EN



Guarantee

We take special care to select high quality materials and use manufacturing techniques that allow us to create products incorporating design and durability. This product (**Erbauer** 18V Cordless 55mm Nailer) has a manufacturer's guarantee of 3 years against manufacturing defects, from the date of purchase (if bought in store) or date of delivery (if bought online), at no additional cost for normal (non-professional or commercial) household use.

To make a claim under this guarantee, you must present your proof of purchase (such as a sales receipt, purchase invoice or other evidence admissible under applicable law), please keep your proof of purchase in a safe place. For this guarantee to apply, the product you purchased must be new, it will not apply to second hand or display products. Unless stated otherwise by applicable law, any replacement product issued under this guarantee will only be guaranteed until expiry of the original guarantee period.

This guarantee covers product failures and malfunctions provided the product was used for the purpose for which it is intended and subject to installation, cleaning, care and maintenance in accordance with the information contained in these terms and conditions, in the user manual and standard practice, provided that standard practice does not conflict with the user manual.

This guarantee does not cover defects and damage caused by normal wear and tear or damage that could be the result of improper use, faulty installation or assembly, neglect, accident, misuse, or modification of the product. Unless stated otherwise by applicable law, this guarantee will not cover, in any case, ancillary costs (shipping, movement, costs of uninstalling and reinstalling, labour etc), or direct and indirect damage.

This guarantee does not cover defects and damage caused by or resulting from:

- Normal wear and tear
- Overload, misuse or neglect
- Repairs attempted by anyone other than an authorised agent
- Cosmetic damage
- Damage caused by foreign objects, substances or accidents
- Accidental damage or modification
- Failure to follow manufacturer's guidelines
- Loss of use of the goods

If the product is defective, we will, within a reasonable time, repair or replace it.

Rights under this guarantee are enforceable in the country in which you purchased this product. Guarantee related queries should be addressed to the store you purchased this product from.


The guarantee is in addition to and does not affect your statutory rights.



EN



Declaration of conformity

 (EN) EU DECLARATION OF CONFORMITY (FR) DÉCLARATION UE DE CONFORMITÉ (PL) DEKLARACJA ZGODNOŚCI UE (RO) DECLARAȚIA DE CONFORMITATE UE (ES) DECLARACIÓN UE DE CONFORMIDAD (PT) DECLARAÇÃO DE CONFORMIDADE UE		
Product/ Produit/ Produkt/ Produsul/ Producto/ Produto		
– 18V Cordless 55 mm Nailer /Cloueursans fil 55 mm/ Gwoździarkabezprzewodowa 55 mm/Pistol pentrucuie de 55 mm fără fir/ Clavadorainalámbrica de /55 mm/ Pistola de pregossemfios de /55 mm – Serial number range 000001 to 999999		
Name and address of the manufacturer or his authorised representative: Nom et adresse du fabricant ou de son mandataire: Nazwa i adres producenta lub jego upoważnionego przedstawiciela: Denumirea și adresa producătorului sau a reprezentantului său autorizat: Nombre y dirección del fabricante o de su representante autorizado: Nome e endereço do fabricante ou do respetivo mandatário:		
Kingfisher International Products B.V., Rapenburgerstraat 175E, 1011 VM Amsterdam, The Netherlands		
This declaration of conformity is issued under the sole responsibility of the manufacturer. La présente déclaration de conformité est établie sous la seule responsabilité du fabricant. Niniejsza deklaracja zgodności wydana zostaje na wyłączną odpowiedzialność producenta. Prezentadeclaratie de conformitate este emisă pe răspunderea exclusivă a producătorului. La presente declaración de conformidad se expide bajo la exclusiva responsabilidad del fabricante. A presente declaração de conformidade é emitida sob a exclusiva responsabilidade do fabricante.		
Objectofthedeclaration/Objet de la déclaration/Przedmiotdeklaracji/Obiectuldeclaratiei/Objeto de la declaración/Objeto da declaração		
Product/Produit/Produkt/Produsul/Producto/Produto	Model/Modèle/Model/Modelul/Modelo/Modelo	EAN
18V Cordless 55 mm Nailer / Cloueur sans fil 55 mm/ Gwoździarkabezprzewodowa 55 mm/Pistol pentrucuie de 55 mm fără fir / Clavadorainalámbrica de /55 mm/ Pistola de pregossemfios de /55 mm	ERI967NAL	5063022074317 5059340253220
The object of the declaration described above is in conformity with the relevant Union harmonisation legislation: L'objet de la déclaration décrit ci-dessus est conforme à la législation d'harmonisation de l'Union applicable: Wymieniony powyżej przedmiot niniejszej deklaracji jest zgodny z odpowiednimi wymaganiami unijnego prawodawstwa harmonizacyjnego: Obiectuldeclaratieidecristmași sus este înconformitatecu legislațiarelevantă de armonizare a Uniunii: El objeto de la declaración descrita anteriormente es conforme con la legislación de armonización pertinente de la Unión: O objeto da declaração acima descrito está em conformidade com a legislação de harmonização da União aplicável:		
2006/42/EC as amended Machinery Directive 2014/30/EU as amended Directive Electromagnetic compatibility 2011/65/EU as amended Directive Restriction of the use of certain hazardous substances in electrical and electronic equipment Directive 2006/42/CE relative aux machines 2014/30 / UE telle que modifiée Directive Compatibilitate electromagnetică Directive 2011/65/UE relative à la limitation de l'utilisation de certaines substances dangereuses dans les équipements électriques et électroniques 2006/42/WE w zmienionej dyrektywie maszynowej 2014/30 / UE ze zmianami Dyrektywa Kompatybilność elektromagnetyczna 2011/65 / UE ze zmianami Dyrektywa Ograniczenie stosowania niektórych niebezpiecznych substancji w sprzęcie elektrycznym i elektronicznym 2006/42/CE, astfel a fost modificată Directiva privind echipamentele 2014/30/UE, astfel a fost modificată Directiva privind compatibilitatea electromagnetică 2011/65/UE, astfel a fost modificată Directiva privind limitarea utilizării anumitor substanțe periculoase în echipamentele electrice și electronice Directiva sobre maquinaria modificada 2006/42/CE 2014/30/UE modificada Directiva Compatibilidad electromagnética 2011/65/UE modificada Directiva Restricción del uso de determinadas sustancias peligrosas en equipos eléctricos y electrónicos 2006/42/CE como diretiva de máquinas alteradas 2014/30/UE como alteração da compatibilidade eletromagnética 2011/65/UE como restrição diretiva alterada da utilização de certas substâncias perigosas em equipamentos elétricos e eletrônicos		
References to the relevant harmonised standards used or references to the other technical specifications in relation to which conformity is declared: Références des normes harmonisées pertinentes appliquées, y compris la date de celles-ci, ou des autres spécifications techniques, y compris la date de celles-ci, par rapport auxquelles la conformité est déclarée:		

35



EN

Odwolania do odnośnych norm zharmonizowanych, które zastosowano, wraz z datą normy, lub do innych specyfikacji technicznych, wraz z datą specyfikacji, w odniesieniu do których deklarowana jest zgodność:
Trimiteri la standardele armonizate relevante folosite, inclusiv data standardului, sau trimiteri la celelalte specificații tehnice, inclusiv data specificațiilor, în legătură cu care se declară conformitatea:
Referencias a las normas armonizadas pertinentes utilizadas, incluidas las fechas de las normas, o referencias a las otras especificaciones técnicas, incluidas las fechas de las especificaciones, respecto a las cuales se declara la conformidad:
Referências às normas harmonizadas aplicáveis utilizadas, incluindo a data da norma, ou às outras especificações técnicas, incluindo a data da especificação, em relação às quais é declarada a conformidade:

EN IEC 55014-1:2021
EN IEC 55014-2:2021
EN 60745-1:2009+A11
EN 60745-2-16:2010


Authorised signatory and technical file holder/signataire et responsable de la documentation technique autorisé/podmiot uprawniony do wystawienia i adres przechowywania dokumentacji technicznej/semnatar autorizat și deținător al dosarului tehnic/firmante autorizado y titular del expediente técnico/signatário autorizado e detentor da ficha técnica

Kingfisher International Products B.V.,
Rapenburgerstraat 175E,
1011 VM Amsterdam,
The Netherlands

David Awe
Group Quality Director

On :08/08/2023



UK CA (UK) DECLARATION OF CONFORMITY		
Product		
<ul style="list-style-type: none"> - 18V Cordless 55mm Nailer - ERI967NAL - Serial number range from 000001 to 999999 		
Name and address of the manufacturer or his authorised representative:		
Kingfisher International Products Limited 1 Paddington Square London W2 1GG United Kingdom		
This declaration of conformity is issued under the sole responsibility of the manufacturer.		
Object of the declaration		
Product	Model	EAN
18V Cordless 55mm Nailer	ERI967NAL	5063022074317 5059340253220
The object of the declaration described above is in conformity with the relevant legislation:		
Supply of Machinery (Safety) Regulations 2008 as amended Electromagnetic Compatibility Regulations 2016 as amended The Restriction of the use of Certain Hazardous Substances in Electrical and Electronic Equipment Regulations 2012 as amended		
References to the relevant designated standards used or references to the other technical specifications in relation to which conformity is declared:		
BS EN IEC 55014-1:2021 BS EN IEC 55014-2:2021 EN 60745-1:2009+A11 EN 60745-2-16:2010		
Authorised signatory and technical file holder:		
Kingfisher International Products Limited 1 Paddington Square London W2 1GG United Kingdom		
 David Awe Group Quality Director		On 18/08/2023



Erbauer

**Manufacturer, Fabricant, Producent,
Producător, Fabricante:**

UK manufacturer:

Kingfisher International Products limited
1 Paddington Square
London
W2 1GG
United Kingdom
www.kingfisher.com/products

EU manufacturer:

Kingfisher International Products B.V.
Rapenburgerstraat 175E
1011 VM Amsterdam
The Netherlands



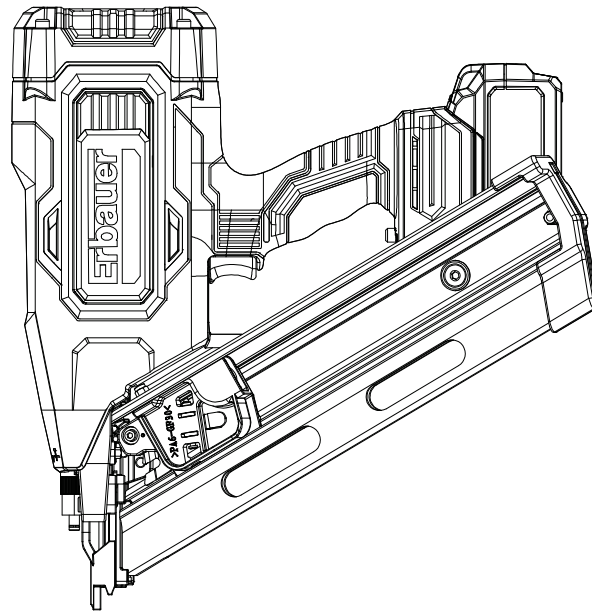
www.diy.com | www.screwfix.com | www.screwfix.ie

To view instruction manuals online,
visit www.kingfisher.com/products

Customer Helpline:

UK 03301248111 erbauer@powertoolservicing.co.uk

Eire 0035312479977 erbauer@powertoolservicing.co.uk



Original Instructions - MNL_ERI966NAL_GB_V5_230905

ERI966NAL

EAN: 5059340701530








ORIGINAL INSTRUCTIONS



V10823 BX220IM



EN

	Safety instructions	3
	Product description	13
	Assembly	21
	Use	23
	Care & maintenance	29
	Guarantee	33
	Declaration of conformity	34



EN



Safety instructions

GENERAL POWER TOOL SAFETY WARNINGS



WARNING! Read all safety warnings, instructions, illustrations and specifications provided with this power tool. Failure to follow all instructions listed below may result in electric shock, fire and/or serious injury.

Save all warnings and instructions for future reference.

The term “power tool” in the warnings refers to your mains-operated (corded) power tool or battery-operated (cordless) power tool.

WORK AREA SAFETY

- a) **Keep work area clean and well lit.** *Cluttered or dark areas invite accidents.*
- b) **Do not operate power tools in explosive atmospheres, such as in the presence of flammable liquids, gases or dust.** *Power tools create sparks which may ignite the dust or fumes.*
- c) **Keep children and bystanders away while operating a power tool.** *Distractions can cause you to lose control.*

ELECTRICAL SAFETY

- a) **Power tool plugs must match the outlet. Never modify the plug in any way. Do not use any adapter plugs with earthed (grounded) power tools.** *Unmodified plugs and matching outlets will reduce risk of electric shock.*



EN

- b) **Avoid body contact with earthed or grounded surfaces, such as pipes, radiators, ranges and refrigerators.** *There is an increased risk of electric shock if your body is earthed or grounded.*
- c) **Do not expose power tools to rain or wet conditions.** *Water entering a power tool will increase the risk of electric shock.*
- d) **Do not abuse the cord. Never use the cord for carrying, pulling or unplugging the power tool. Keep cord away from heat, oil, sharp edges or moving parts.** *Damaged or entangled cords increase the risk of electric shock.*
- e) **When operating a power tool outdoors, use an extension cord suitable for outdoor use.** *Use of a cord suitable for outdoor use reduces the risk of electric shock.*
- f) **If operating a power tool in a damp location is unavoidable, use a residual current device (RCD) protected supply.** *Use of an RCD reduces the risk of electric shock.*

PERSONAL SAFETY

- a) **Stay alert, watch what you are doing and use common sense when operating a power tool. Do not use a power tool while you are tired or under the influence of drugs, alcohol or medication,** *A moment of inattention while operating power tools may result in serious personal injury.*
- b) **Use personal protective equipment. Always wear eye protection.** *Protective equipment such as dust mask, non-skid safety shoes, hard hat, or hearing protection used for appropriate conditions will reduce personal injuries.*
- c) **Prevent unintentional starting. Ensure the switch is in the off-position before connecting to power source, picking up or carrying the tool.** *Carrying power tools with your finger on the switch or energising power tools that have the switch on invites accidents.*



EN

- d) **Remove any adjusting key or wrench before turning the power tool on.** *A wrench or a key left attached to a rotating part of the power tool may result in personal injury.*
- e) **Do not overreach. Keep proper footing and balance at all times.** *This enables better control of the power tool in unexpected situations.*
- f) **Dress properly. Do not wear loose clothing or jewellery. Keep your hair and clothing away from moving parts.** *Loose clothes, jewellery or long hair can be caught in moving parts.*
- g) **If devices are provided for the connection of dust extraction and collection facilities, ensure these are connected and properly used.** *Use of dust collection can reduce dust-related hazards.*
- h) **Do not let familiarity gained from frequent use of tools allow you to become complacent and ignore tool safety principles.** *A careless action can cause severe injury within a fraction of a second.*

POWER TOOL USE AND CARE

- a) **Do not force the power tool. Use the correct power tool for your application.** *The correct power tool will do the job better and safer at the rate for which it was designed.*
- b) **Do not use the power tool if the switch does not turn it on and off.** *Any power tool that cannot be controlled with the switch is dangerous and must be repaired.*
- c) **Disconnect the plug from the power source and/ or remove the battery pack, if detachable, from the power tool before making any adjustments, changing accessories, or storing power tools.** *Such preventive safety measures reduce the risk of starting the power tool accidentally.*



EN

- d) **Store idle power tools out of the reach of children and do not allow persons unfamiliar with the power tool or these instructions to operate the power tool.** *Power tools are dangerous in the hands of untrained users.*
- e) **Maintain power tools. Check for misalignment or binding of moving parts, breakage of parts and any other condition that may affect the power tool's operation. If damaged, have the power tool repaired before use.** *Many accidents are caused by poorly maintained power tools.*
- f) **Keep cutting tools sharp and clean.** *Properly maintained cutting tools with sharp cutting edges are less likely to bind and are easier to control.*
- g) **Use the power tool, accessories and tool bits etc. in accordance with these instructions, taking into account the working conditions and the work to be performed.** *Use of the power tool for operations different from those intended could result in a hazardous situation.*
- h) **Keep handles and grasping surfaces dry, clean and free from oil and grease.** *Slippery handles and grasping surfaces do not allow for safe handling and control of the tool in unexpected situations.*

BATTERY TOOL USE AND CARE

- a) **Recharge only with the charger specified by the manufacturer.** *A charger that is suitable for one type of battery pack may create a risk of fire when used with another battery pack.*
- b) **Use power tools only with specifically designated battery packs.** *Use of any other battery packs may create a risk of injury and fire.*
- c) **When battery pack is not in use, keep it away from other metal objects, like paper clips, coins, keys, nails, screws or other small metal objects that can make a connection from one terminal to another.** *Shorting the battery terminals together may cause burns or a fire.*



EN

- d) **Under abusive conditions, liquid may be ejected from the battery; avoid contact. If contact accidentally occurs, flush with water. If liquid contacts eyes, additionally seek medical help. *Liquid ejected from the battery may cause irritation or burns.***
- e) **Do not use battery pack or tool that is damaged or modified. *Damaged or modified batteries may exhibit unpredictable behaviour resulting in fire, explosion or risk of injury.***
- f) **Do not expose a battery pack or tool to fire or excessive temperature. *Exposure to fire or temperature above 130 °C may cause explosion.***
- g) **Follow all charging instructions and do not charge the battery pack or tool outside the temperature range specified in the instructions. *Charging improperly or at temperatures outside the specified range may damage the battery and increase the risk of fire.***

SERVICE

- a) **Have your power tools serviced by a qualified repair person using only identical replacement parts. *This will ensure that safety of the power tool is maintained.***
- b) **Never service damaged battery packs. *Service of battery packs should only be performed by the manufacturer or authorized service providers.***

NAILER SAFETY WARNINGS

- a) **Always assume that the tool contains fasteners. *Careless handling of the nailer can result in unexpected firing of fasteners and personal injury.***
- b) **Do not point the tool towards yourself or anyone nearby. *Unexpected triggering will discharge the fastener causing an injury.***
- c) **Do not actuate the tool unless the tool is placed firmly against the workpiece. *If the tool is not in contact with the workpiece, the fastener may be deflected away from your target.***

7



EN

- d) **Disconnect the tool from the power source when the fastener jams in the tool.** *While removing a jammed fastener, the nailer may be accidentally activated if it is plugged in.*
- e) **Use caution while removing a jammed fastener.** *The mechanism may be under compression and the fastener may be forcefully discharged while attempting to free a jammed condition.*
- f) **Do not use this nailer for fastening electrical cables.** *It is not designed for electric cable installation and may damage the insulation of electric cables thereby causing electric shock or fire hazards.*
- g) **Do not use this nailer to fix cables.** *It is not designed for electric cable installation and can damage the insulation of the cable, which can lead to electric shock or a fire hazard.*
- h) **Use suitable detectors to determine if there are hidden supply lines or contact the local utility company for assistance.** *Contact with electric cables can cause fire and electric shock. Damaging gas lines can lead to explosion. Breaking water pipes causes property damage.*
- i) Hold the product only by the handle grip (3) and ensure that the on/off trigger (2) is not pressed down in the work area.
- j) Consider the space that is available in the work area. Nails may penetrate thin workpieces or slide off workpieces during work on corners and edges, thus endangering person.
- k) Read the instructions carefully. Be familiar with the controls and the correct use of the product.
- l) Use the product only in daylight or good artificial light.
- m) Never allow children or people unfamiliar with these instructions to use the product. Local regulations can restrict the age of the operator.



EN

- n) Keep in mind that the operator or user is responsible for accidents or hazards occurring to other people or their property.
- o) Keep the area clear of all bystanders, children, and pets while operating the product.
- p) Remove the battery pack before carrying out maintenance or cleaning work.
- q) Use only the manufacturer's recommended accessories.
- r) Inspect and maintain the product regularly. Have the product repaired only by an authorized repairer.
- s) When not in use, store the product out of the reach of children.
- t) Store the product in a location where the ambient temperature is between 0°C and 40°C.

Additional safety warnings for battery pack

- a) **Battery pack needs to be charged before use.** *Always refer to the charger's instruction and charge it properly.*
- b) **Remove the battery pack from the product when not in use.**
- c) **Don't maintain the battery pack on the charger when not in use.**
- d) **After extended periods of storage, it may be necessary to charge and discharge the battery pack several times to obtain the maximum performance.**
- e) **Longer life and better performance can be obtained if the battery is charged when the air temperature is between 18°C and 24°C.** *Do not charge the battery in air temperature below 5°C or above 40°C. This is important as it can prevent serious damage to the battery.*
- f) **Do not charge battery in a damp or wet location.** *Following this rule will reduce the risk of electric shock.*
- g) **Do not disassemble the battery and avoid mechanical damage to the battery. Risk of short circuit and fumes may be emitted.** *Ensure fresh air and seek medical assistance in the event of discomfort.*



EN

- h) **When disposing of battery pack, keep the battery pack of different electrochemical systems separate from each other.**

HEALTH SURVEILLANCE

All employees should be part of an employer's health surveillance scheme to help identify any vibration related diseases at an early stage, prevent disease progression and help employees stay in work.

Vibration and noise reduction

To reduce the impact of noise and vibration emission, limit the time of operation, use low-vibration and low-noise operating modes as well as wear personal protective equipment.

Take the following points into account to minimise the vibration and noise exposure risks:

1. Only use the product as intended by its design and these instructions.
2. Ensure that the product is in good condition and well maintained.
3. Use correct attachments for the product and ensure they are in good condition.
4. Keep tight grip on the handles/grip surface.
5. Maintain this product in accordance with these instructions and keep it well lubricated (where appropriate).
6. Plan your work schedule to spread any high vibration tool use across a longer period of time.
7. Prolonged use of the product exposes the user to vibrations that can cause a range of conditions collectively known as hand-arm vibration syndrome (HAVS) e.g. fingers going white; as well as specific diseases such as carpal tunnel syndrome. To reduce this risk when using the product, always wear protective gloves and keep your hands warm.



EN

EMERGENCY

Familiarise yourself with the use of this product by means of this instruction manual. Memorise the safety directions and follow them to the letter. This will help to prevent risks and hazards.

1. **Always be alert when using this product, so that you can recognise and handle risks early.** *Fast intervention can prevent serious injury and damage to property.*
2. **Remove the battery pack if there are malfunctions.** *Have the product checked by a qualified professional and repaired, if necessary, before you operate it again.*

RESIDUAL RISKS

Even if you are operating this product in accordance with all the safety requirements, potential risks of injury and damage remain. The following dangers can arise in connection with the structure and design of this product:

1. Crushing hazard.
2. Risk of injury by nails.
3. Ear damage if working without ear protection.
4. Health defects resulting from vibration emission if the product is being used over long periods of time or not adequately managed and properly maintained.
5. Injuries and damage to property due to broken attachments or the sudden impact of hidden objects during use.



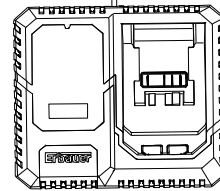
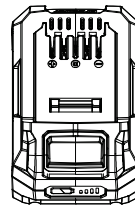
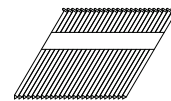
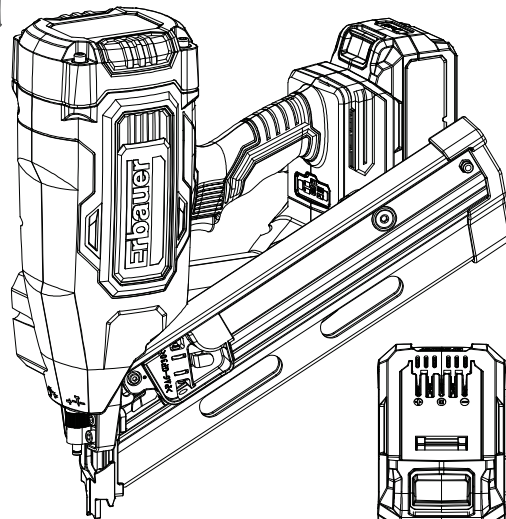
WARNING! This product produces an electromagnetic field during operation! This field may under some circumstances interfere with active or passive medical implants! To reduce the risk of serious or fatal injury, we recommend persons with medical implants to consult their doctor and the medical implant manufacturer before operating this product!



EN



WARNING! Please read all safety warnings carefully and be sure that they are fully understood before handling the tool.



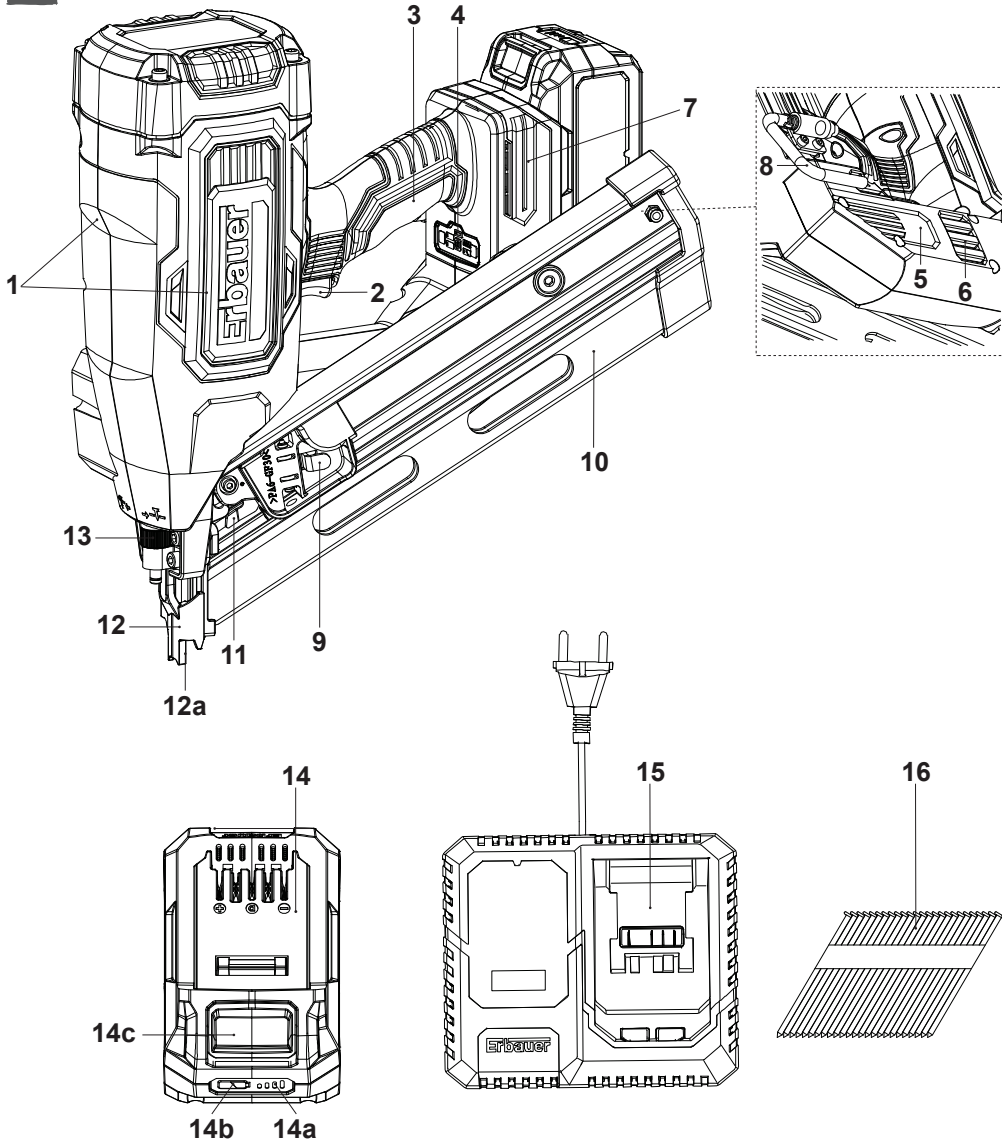


EN



Product description

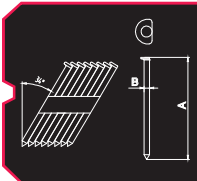
1





EN

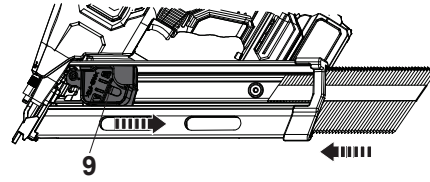
A



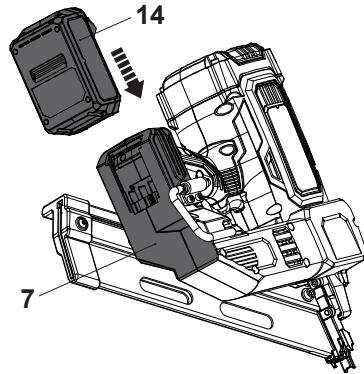
**A=55/60/65/70/75/
83/90mm, 34°**

B=2.87/3.05/3.33mm

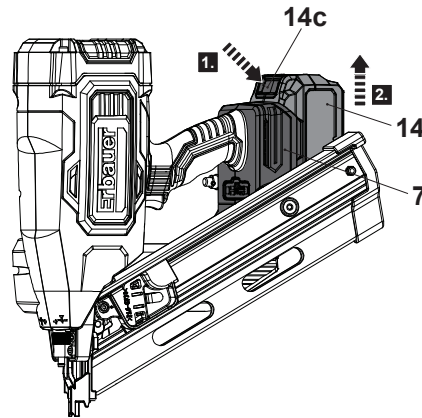
B



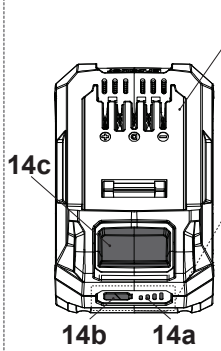
C



D

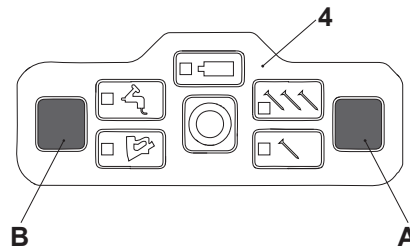


E



	76-100%
	51-75%
	26-50%
	5-25%
	<5%

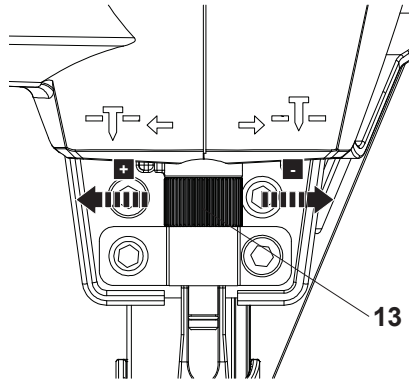
F



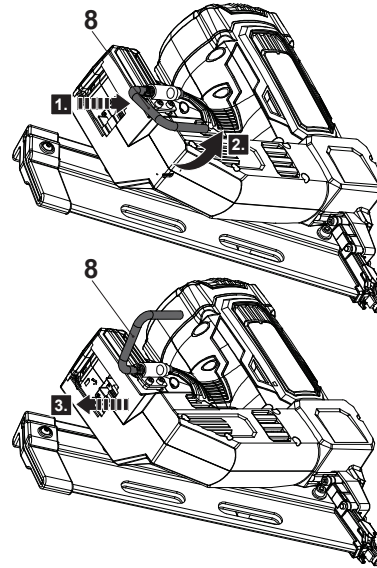


EN

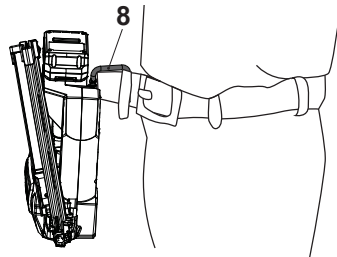
G



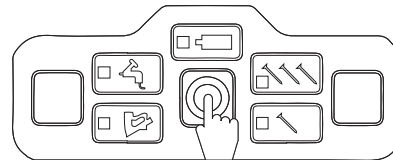
H



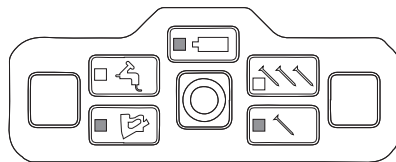
I



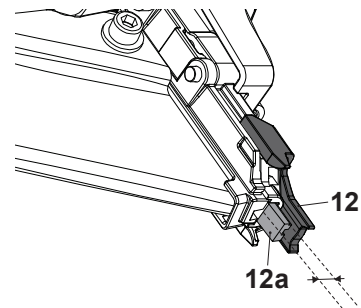
J



K

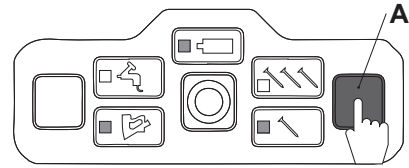
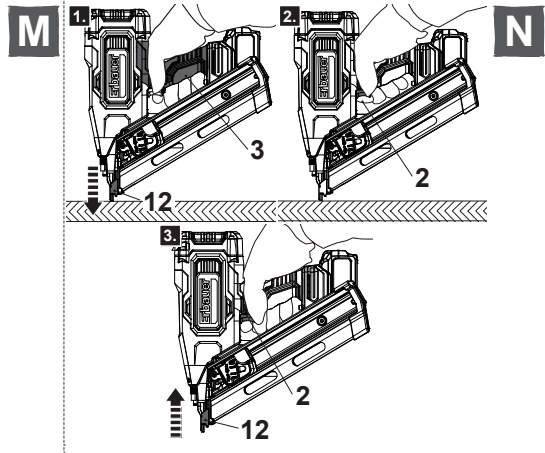


L

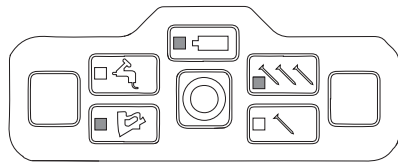




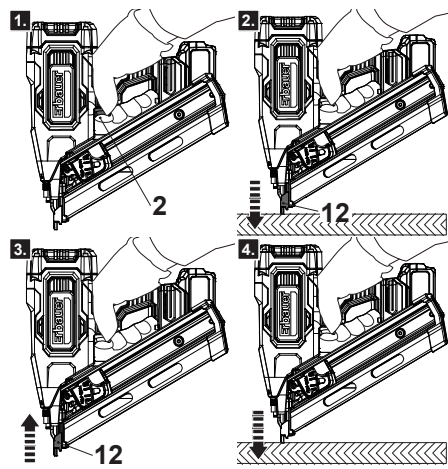
EN



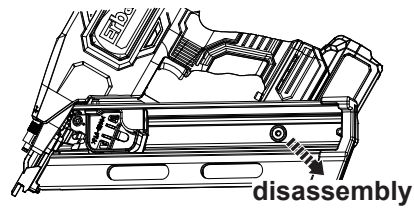
O



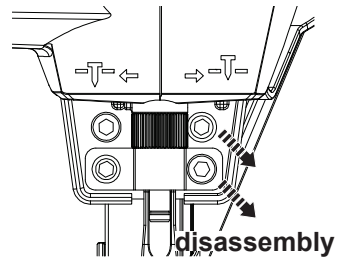
P



Q



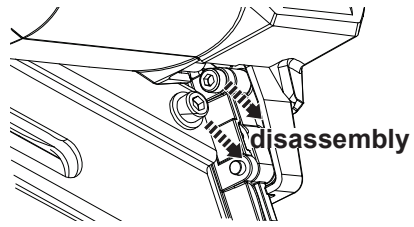
R



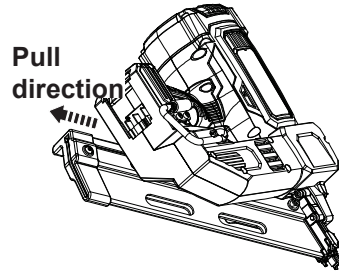


EN

S



T





EN



Product description

Part index

The index below refers to Fig. 1 on page 13.

- | | | |
|-------------------------|---------------------------------|---|
| 1. Cylinder | 11. Nailer feeder | 16. Paper collated & clipped framing stick nails 34° (55 mm x 25 nails) |
| 2. On/off trigger | 12. Safety yoke | |
| 3. Handle grip | a) Shot duct | |
| 4. User interface | 13. Depth of drive adjustment | |
| 5. Motor housing | 14. Battery pack (not supplied) | |
| 6. Air vents | a) Battery capacity indicators | |
| 7. Battery docking port | b) Battery capacity button | |
| 8. Belt hook | c) Release button | |
| 9. Nail feeder | 15. Charger (not supplied) | |
| 10. Magazine | | |

Symbols

On the product, the rating label and within these instructions you will find among others the following symbols and abbreviations. Familiarise yourself with them to reduce hazards like personal injuries and damage to property.

V	Volt, (direct current voltage)	mAh	Milliampere per hour
/min or min ⁻¹	Per minute	A	Ampere

mm	Millimetre	°C	Degree Celsius
----	------------	----	----------------

g	Gram	kg	Kilogram
---	------	----	----------

dB(A) Decibel (A-rated)



Read the instruction manual.



Note / Remark.



Caution / Warning.

yyWxx Manufacturing date code; year of manufacturing (20yy) and week of manufacturing (Wxx)



Always wear hearing protection.



Always wear eye protection.



Wear a dust mask.



Wear protective gloves.



EN



Wear protective, slip-resistant footwear.



Remove battery pack before assembly, cleaning, adjustments, maintenance, storage and transportation.



Do not expose the product to rain or wet conditions (moisture).



To prevent serious injury, keep your hands away from shot duct (13b)!



Do not stare into the light beam for longer periods. The optical radiation can be harmful for your eyes!



Ejected nails by the product could hit the user or other bystanders. Always ensure that other people and pets remain at a safe distance from the product when it is in operation. In general, children must not come near the area where the product is.

Minimum distance is 10 m.



Power indicator.



Inflation mode indicator.



Firing mode indicator.



Full sequential firing mode indicator.



Contact firing mode indicator.



Set the impact force from “high” to “low” (from left to right).



WEEE symbol. Waste electrical products should not be disposed of with household waste. Please recycle where facilities exist. Check with your Local Authority or local store for recycling advice.



Crossed out dust bin. Batteries and battery packs should not be disposed of with household waste. Please recycle where facilities exist. Check with your Local Authority or local store for recycling advice.



Do not dispose of battery packs in rivers or immerse in water.



Do not dispose of battery packs in fire. They will explode and cause injury.



Do not expose battery packs to heat in excess of 40°C.
Do not charge or store the battery pack in temperatures below 5°C (41°F) and above 40°C (104°F).



The product complies with the applicable European directives and an evaluation method of conformity for these directives was done.

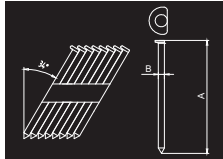


UK Conformity Assessed.

Technical data

General

Max. Rated voltage	: 18V
Impact rate	: 120 min ⁻¹
Magazine volume	: Up to 50 nails
Degree of protection	: IPX0
Weight	: approx. 4.5 kg
Dimensions	: approx. 340*164*350 mm
Nail strip	: Paper collated & clipped head framing nails, 34° The use of smooth nails is recommended
	: A = 55/60/65/70/75/83/90 mm B = 2.87/3.05/3.33 mm



For use with battery pack and charger as below

Battery pack model	: 8701.1 EHPB18-Li-4, 8702 EBAT18-Li-4 8702.1 EBAT18-Li-5
Charger model	: EC18-Li, EFC18-Li, EMC18-Li
Ambient temperature range for tool and battery use	: -10°C to 40°C

Sound values

Sound pressure level L_{pA}	: 91.4 dB(A)
Uncertainty K_{pA}	: 3 dB(A)
Measured sound power level L_{WA}	: 102.4 dB(A)
Uncertainty K_{WA}	: 3 dB(A)

Hand arm vibration values

Handle $a_{h,w}$: 1.68 m/s ²
Uncertainty K	: 1.5 m/s ²

The sound value(s) have been determined according to noise test code given in EN 60745-2-16, using the basic standards EN ISO 11203 and EN ISO 3744. The sound intensity level for the operator may exceed 80 dB(A) and ear protection measures are necessary.

The declared total vibration value(s) and the declared noise emission value(s) have been measured in accordance with a standard test method and may be used for comparing one tool with another;

The declared total vibration value(s) and the declared noise emission value(s) may also be used in a preliminary assessment of exposure.



EN



WARNING! The vibration and noise emission during actual use of the power tool can differ from the declared total value depending on the ways in which the tool is used especially what kind of workpiece is processed; The need to identify safety measures to protect the operator that are based on an estimation of exposure in the actual conditions of use (taking account of all parts of the operating cycle such as the times when the tool is switched off and when it is running idle in addition to the trigger time).

Rating label explanation

ERI966NAL = Model Number

ER = ERBAUER (brand)

I = 18 V d. c. Li-Ion

966 = Sequence Code

NAL = Nailer



Assembly

01 Unpacking

1. Unpack all parts and lay them on a flat, stable surface.
2. Remove all packing materials and shipping devices if applicable.
3. Make sure the delivery contents are complete and free of any damage. If you find that parts are missing or show damage, do not use the product but contact your dealer. Using an incomplete or damaged product represents a hazard to people and property.
4. Ensure that you have all the accessories and tools needed for assembly and operation. This also includes suitable personal protective equipment.



WARNING! The product and the packaging are not children's toys! Children must not play with plastic bags, sheets and small parts! There is a danger of choking and suffocation!



EN

02 You will need

(items not supplied)

Suitable personal protective equipment
Suitable nail strip
Suitable pliers

(items supplied)

Paper collated & clipped framing
stick nails 34° (55 mm x 25 nails)



NOTE: The accessories required depend on the intended application. Ask your dealer for advice.

03 Assembly



WARNING! Before using the product, familiarise yourself with the operating features read the entire instruction manual paying particular attention to the safety rules and operating procedures.



Do not connect the product to battery pack (14) before it is completely assembled!



Nails



WARNING! Only original nails that match to the precision parts of the nailer such as the magazine (10), the striker and the shot duct (12a) can be used.

Other manufacturers use different steel grades and sizes, which may damage the nailer.

Select the appropriate size of the nails as shown in Fig. A

Loading the magazine

1. Insert nail strip into the back of the magazine.
2. Slide the nail strip forward in the magazine.
3. Pull the nail feeder(9) back to engage the feeder knob to the nail strip.



EN



WARNING! Don't load nails of different lengths into the magazine (10) at the same time.
Don't mix nails into the magazine (10).
Don't use excessive force when opening, loading or closing the magazine (10).

04 Battery pack (not included)

Attaching / releasing the battery pack

1. Align the battery pack (14) with the sliding slots of the battery docking port (7) and slide the battery pack (14) in to attach it. Ensure it clicks in place (Fig. C).
2. Press the release button (14c) and remove the battery pack (14) from the battery docking port (7) (Fig. D, steps 1, 2).

Charging the battery pack

The battery pack (14) for this product has been shipped in a low charge condition. Charge it fully before first use.
Refer to the charger's instruction manual for the details.

Battery capacity indicators

The battery pack (14) is equipped with the battery capacity indicators (14a) which are used to give an indication of the battery pack's remaining capacity (Fig. E). Refer to the battery pack's instruction manual for details.



Use

Intended use

This cordless 90mm Nailer **ERI966NAL** is designated with a rated voltage of 18 V --- . It is designed only to be used with the battery pack which is listed in the chapter of "Technical specifications".

The product is intended for framing, decking, siding, pallets, crate and box assembly, such as wood or wood-like materials. The product is not suitable for fastening wall or ceiling panelling.

Do not use the product for any other purpose.



EN

For safety reasons it is essential to read the entire instruction manual before first operation and to observe all the instructions therein.

Before you start

01 Protection



Controls




01 User interface

Use the user interface (4) to set operation program, check product status (Fig. G).

Symbol	Definition	Function
	Power switch button	On: Press and hold the power switch button for more than 0.5 seconds to switch on the product after connecting a fully charged battery pack; The work light (16) will automatically light up the tip portion of the product. OFF: Press and hold the power switch button for more than 0.5 seconds to switch off the product. All indicators on the user interface (4) will turn off.
	Power indicator	The power indicator will light up to indicate that the power is on. When the battery is near empty, the power indicator will turn red.
	Full sequential firing mode indicator	The full sequential firing indicator will light up for full sequential firing, this is beneficial for the precision placement of nails one after the other.
	Contact firing mode indicator	The contact firing indicator will light up for contact firing, this is beneficial for the rapid insertion of nails without having to release the on/off trigger (2).



EN

Symbol	Definition	Function
	Mode button	Firing mode button (A): Press the mode button (A) to shift the full sequential / contact firing mode. Inflating/firing mode button (B): Press and hold the mode button (B) for more than 2 seconds to switch between full inflating/firing mode.
	Firing mode indicator	The firing mode indicator will light up for nailing operation.
	Inflation mode indicator	The inflation mode indicator will light up during exchanging internal components. please go to after service for maintenance only.

02 Depth of drive adjustment



WARNING! Select the lowest impact force sufficient for nailing. Take into account the length of the nails you are using as well as hardness of the material you are working with.


1. Turn the depth of drive adjustment (13) to the marking “+” to achieve deeper penetration (Fig. G).
2. Turn the depth of drive adjustment (13) to the marking “-” to achieve lower penetration.

03 Belt hook



WARNING! When the nailer is attached to the belt, position yourself to avoid entanglement with surrounding objects.

The belt hook (8) is already pre-assembled on the left side of the product.

1. When using the belt hook (8), press and hold the power switch button  for more than 0.5 seconds to switch off the product if needed.
2. Press the belt hook (8) in its compressed direction, and then rotate the belt hook (8) counter-clockwise by approx. 130 degrees until you hear a slight click and lock sound, then release the belt hook (8) (Fig. H, steps 1, 2, 3).
3. The belt hook (8) can be hooked on your belt or pocket as shown in Fig. I.
4. Follow the same steps above to retract the belt hook (8) at the opposite angle.



EN





Operation

1. Check the product, battery pack (not supplied) and charger (not supplied) as well as accessories for damage before each use. Do not use the product if it is damaged or shows wear. Take care of any problem you find or have the product checked by qualified specialist.
2. Double check that the accessories and tool attachments are properly fixed.
3. Always hold the product on the handle grip (3). Keep the handle dry to ensure safe operation.
4. Ensure that the air vents (6) are always unobstructed and clear. Clean them if necessary with a soft brush. Blocked air vents may lead to overheating and damage the product.
5. Remove the battery pack (14) immediately if you are disturbed while working by other people entering the working area.
6. Do not overwork yourself. Take regular breaks to ensure you can concentrate on the work and have full control over the product.
7. While working, ensure that the product does not strike hard objects, as this can cause damage.

01 Checking



NOTE: Before operating the product, perform the following tests to check the function of the safety yoke (12) and the on/off trigger (2).

1. Remove the nails out of the magazine (10).
2. Connect a fully charged battery pack (14) to the battery docking port (7).
3. Press and hold the power switch button  for more than 0.5 seconds to switch on the product (Fig. J).
4. The power indicator , the firing mode indicator  and the full sequential firing mode indicator  will light up as shown in Fig. K.
5. Press the safety yoke (12) on a piece of scrap soft wood, then squeeze the on/off trigger (2). The safety yoke (12) and the on/off trigger (2) should move smoothly.
6. Lift the safety yoke (12) from the scrap soft wood, check if the safety yoke (12) will be automatically drawn back.
7. Squeeze the on/off trigger (2) without pressing the safety yoke (12), the firing should not be performed.
8. If any malfunctions occur, stop using the product immediately and return to the dealer.



EN





Important safety features

1. In full sequential firing operation mode, pull the on/off trigger (2) within 5 seconds after the safety yoke (12) is pressed, the nailer will fire once; pull the on/off trigger (2) later than 5 seconds after the safety yoke (12) is pressed, the nailer will not fire.
2. The power switch cannot be turned on when the safety yoke (12) or/and the on/off trigger (2) are pressed down.
3. If the power switch is turned on for 30 minutes without using the nailer, the power switch will automatically turn off; When not using the nailer, please do not turn on the power switch, otherwise it may cause accidents.



NOTE: There is a gap between the safety yoke (12) and the shot duct (12a). Make several trials to nail at your desired position (Fig. L).

02 Full sequential firing operation

1. Ensure the battery pack (14) is assembled on the battery docking port (7).
2. Insert the nail strip (16) in the magazine (10).
3. Press and hold the power switch button  for more than 0.5 seconds to switch on the product (Fig. K).
4. The power indicator , the firing mode indicator  and the full sequential firing mode indicator  will light up as shown in Fig. K.
5. Turn the depth of drive adjustment (13) to a suitable setting.
6. Ensure that no people or animals are in the work area.
7. Hold the product firmly on the handle grip (3) with one hand. Always keep your hand away from the shot duct (12a).
8. Press the safety yoke (12) onto the material/workpiece that you want to nail (Fig. M, step 1).
9. Maintain the contact pressure and briefly press the on/off trigger (2) (Fig. M, step 2).
10. Once the nail from the shot duct (12a) has been completely driven in, release the on/off trigger (2) and lift the safety yoke (12) from the workpiece (Fig. M, step 3). Never fire again at the same spot.
11. Repeat step 1 to step 3 for performing more firings.




NOTE: In full sequential firing mode, the safety yoke (12) should be pressed before squeezing the on/off trigger (2). Carefully set the safety yoke (12) down on the material. Soft workpieces (e.g. pine wood) could be damaged if you press down too hard.



EN

03 Contact firing operation

1. Press the firing mode button (A) to switch the firing mode to “Contact firing mode” (Fig. N).
2. The contact firing mode indicator  will light up as shown in Fig. O.
3. Ensure that no people or animals are in the work area.
4. Hold the product firmly on the handle grip (3) with one hand. Always keep your hand away from the shot duct (12a).
5. Press the on/off trigger (2) and hold it in position (Fig. P, step 1).
6. Press the safety yoke (12) onto the material/workpiece that you want to nail (Fig. P, step 2).
7. After the firing, release the safety yoke (12) and move it to next nailing position (Fig. P, step 3). Don't release the on/off trigger (2).
8. Press the safety yoke (12) to fire again (Fig. P, step 4).
9. Repeat step 3 to step 4 for performing more firings.



NOTE: In contact firing mode, keep squeezing the on/off trigger (2) before pressing the safety yoke (12) onto the material/workpiece.



WARNING! Wear safety gloves when working on the nails and close to them!




To prevent serious injury, keep your hands away from shot duct (12a)! Remove the battery pack (14) while loading the magazine or conducting any intermediate checks.



Use appropriate tools to remove debris, e. g. a brush! Never use your bare hands!



After use

1. Release the on/off trigger (2) and the safety yoke (12).
2. Press and hold the power switch button  for more than 0.5 seconds to switch off the product.
3. Ensure that all indicators on the user interface (4) are turned off.
4. Remove the battery pack (14) and let it cool down.
5. Remove the nails from the magazine (10).
6. Check, clean and store the product as described below.



EN



Care & maintenance



WARNING! Always remove the battery pack (14) and let the product cool down before performing inspection, maintenance and cleaning work!



1. Keep the product clean. Remove debris from it after each use and before storage.
2. Regular and proper cleaning will help ensure safe use and prolong the life of the product.
3. Inspect the product before each use for worn and damaged parts. Do not operate it if you find broken and worn parts.



WARNING! Only perform repairs and maintenance work according to these instructions! All further works must be performed by a qualified specialist!

Clean

1. Clean the product with a damp cloth and pH-neutral soap. Use a brush for areas that are hard to reach.
2. In particular clean the air vents (6) after every use with a cloth and brush.
3. Remove stubborn dust with high pressure air (max. 3 bar).



NOTE: Do not use chemical, alkaline, abrasive or other aggressive detergents or disinfectants to clean this product as they might be harmful to its surfaces.

4. Check for any damage and wear. Repair damages in accordance with this instruction manual or take it to an authorised service centre before using the product again.



EN

Maintenance

Before and after each use, check the product and accessories (or tool attachments) for wear and damage. If required, exchange them for new ones as described in this instruction manual. Observe the technical requirements.

Removing jams



WARNING! Wear safety gloves when working on the nails and close to them!



Use proper tools to remove jammed nail! Never use your bare hands! The jammed nail should be removed before being put back into use, otherwise the mechanical device will be permanently damaged.

If a nail is caught in the magazine or unit, please proceed as follows:

1. Remove battery from tool and all nails from magazine.
2. Remove the bolts with wrench (Fig Q, Fig R, Fig S).
3. Pull the magazine backwards (Fig T).
4. Remove the jammed nails with a suitable plier after magazine removed.
5. Assemble the magazine back and tighten the bolts with wrench.
6. If any malfunctions occur, stop using the product immediately and return to the dealer.



NOTE: Only one firing is possible in the inflating mode.

The firing mode button (A) or the inflating/firing mode button (B) will be disabled later, press the power switch button to restart the product.

Repair

This product does not contain any parts that can be repaired by the consumer. Contact an authorised service centre or a similarly qualified person to have it checked and repaired.



EN

Storage

1. Remove the battery pack (14) and empty the magazine (10).
2. Clean the product as described above.
3. Clean and lubricate the safety yoke (12) as needed.
4. Store the product and its accessories in a dark, dry, frost-free, well-ventilated place.
5. Always store the product in a place that is inaccessible to children. The ideal storage temperature is between 10°C and 30°C.
6. We recommend using the original package for storage or covering the product with a suitable cloth or enclosure to protect it against dust.
7. Charge the battery pack (14) before long-term storage.

Transportation

1. Remove the battery pack (14) and empty the magazine (10).
2. Attach transportation guards, if applicable
3. Always carry the product by its handle grip (3).
4. Protect the product from any heavy impact or strong vibrations which may occur during transportation in vehicles.
5. Secure the product to prevent it from slipping or falling over.

Troubleshooting

Suspected malfunctions are often due to causes that the users can fix themselves. Therefore check the product using this section. In most cases the problem can be solved quickly.



WARNING! Only perform the steps described within these instructions! All further inspection, maintenance and repair work must be performed by an authorised service centre or a similarly qualified specialist if you cannot solve the problem yourself!



EN

Problem	Possible cause	Solution
1. Product does not start	1.1. Battery pack is not properly attached 1.2. Battery pack is discharged 1.3. Battery pack is damaged 1.4. No firing after operating the on/off trigger (2) and safety yoke (12) 1.5. Other electrical defect to the product	1.1. Attach properly 1.2. Remove and charge battery pack 1.3. Check by a specialist electrician 1.4. Refer to section "Full sequential firing operation" or "Contact firing operation" 1.5. Check by a specialist electrician
2. Product does not reach full power	2.1. Battery pack capacity is too low 2.2. Air vents are blocked	2.1. Charge battery pack 2.2. Clean the air vents
3. Unsatisfactory working result	3.1. The driven nails are not flush with the work surface 3.2. Improper nails are used	3.1. Choose suitable impact force 3.2. Choose suitable size nails
4. The firing suddenly stops	4.1. Battery pack is discharged 4.2. Battery pack is too hot 4.3. Nail is blocked 4.4. Magazine (10) is empty 4.5. Battery pack is low voltage	4.1. Remove and charge battery pack 4.2. Remove battery pack and let it cool down 4.3. Remove jam 4.4. Refill the magazine (10) 4.5. Replace a new battery pack

Recycling and disposal



Waste electrical products should not be disposed of with household waste. Please recycle where facilities exist. Check with your Local Authority or local store for recycling advice.

For further information visit www.recycle-more.co.uk.

The product comes in a package that protects it against damage during shipping. Keep the package until you are sure that all parts have been delivered and the product is working properly. Recycle the package afterwards.

Disposal of an exhausted battery pack



The battery is Li-Ion type. To preserve natural resources, please recycle or dispose of the battery pack properly. Consult your local waste authority for information regarding available recycling and / or disposal options.

Discharge your battery pack by operating your tool, then remove the battery pack from the tool and cover the battery pack connections with heavy duty adhesive tape to prevent short circuit and energy discharge.

Do not attempt to open or remove any of the components.



EN



Guarantee

We take special care to select high quality materials and use manufacturing techniques that allow us to create products incorporating design and durability. This product (**Erbauer** 18V Cordless 90mm Nailer) has a manufacturer's guarantee of 3 years against manufacturing defects, from the date of purchase (if bought in store) or date of delivery (if bought online), at no additional cost for normal (non-professional or commercial) household use.

To make a claim under this guarantee, you must present your proof of purchase (such as a sales receipt, purchase invoice or other evidence admissible under applicable law), please keep your proof of purchase in a safe place. For this guarantee to apply, the product you purchased must be new, it will not apply to second hand or display products. Unless stated otherwise by applicable law, any replacement product issued under this guarantee will only be guaranteed until expiry of the original guarantee period.

This guarantee covers product failures and malfunctions provided the product was used for the purpose for which it is intended and subject to installation, cleaning, care and maintenance in accordance with the information contained in these terms and conditions, in the user manual and standard practice, provided that standard practice does not conflict with the user manual.

This guarantee does not cover defects and damage caused by normal wear and tear or damage that could be the result of improper use, faulty installation or assembly, neglect, accident, misuse, or modification of the product. Unless stated otherwise by applicable law, this guarantee will not cover, in any case, ancillary costs (shipping, movement, costs of uninstalling and reinstalling, labour etc), or direct and indirect damage.

This guarantee does not cover defects and damage caused by or resulting from:

- Normal wear and tear
- Overload, misuse or neglect
- Repairs attempted by anyone other than an authorised agent
- Cosmetic damage
- Damage caused by foreign objects, substances or accidents
- Accidental damage or modification
- Failure to follow manufacturer's guidelines
- Loss of use of the goods

If the product is defective, we will, within a reasonable time, repair or replace it.

Rights under this guarantee are enforceable in the country in which you purchased this product. Guarantee related queries should be addressed to the store you purchased this product from.


The guarantee is in addition to and does not affect your statutory rights.



EN




Declaration of conformity



 (EN) EU DECLARATION OF CONFORMITY (FR) DÉCLARATION UE DE CONFORMITÉ (PL) DEKLARACJA ZGODNOŚCI UE (RO) DECLARAȚIA DE CONFORMITATE UE (ES) DECLARACIÓN UE DE CONFORMIDAD (PT) DECLARAÇÃO DE CONFORMIDADE UE		
Product/Produit/Produkt/Produsul/Producto/Produto — 18V Cordless 90mm Nailer /Cloueursans fil 90mm/ Gwoździarkabezprzewodowa90 mm/Pistol pentru cuie de 90 mm fără fir/ Clavadorainalámbrica de 90 mm mm/ Pistola de pregossemfios de 90 mm — ER1966NAL — Serial number range 000001 to 999999		
Name and address of the manufacturer or his authorised representative: Nom et adresse du fabricant ou de son mandataire: Nazwa i adres producenta lub jego upoważnionego przedstawiciela: Denumirea și adresa producătorului sau a reprezentantului său autorizat: Nombre y dirección del fabricante o de su representante autorizado: Nome e endereço do fabricante ou do respetivo mandatário: <div style="text-align: center;"> Kingfisher International Products B.V., Rapenburgerstraat 175E, 1011 VM Amsterdam, The Netherlands </div>		
This declaration of conformity is issued under the sole responsibility of the manufacturer. La présente déclaration de conformité est établie sous la seule responsabilité du fabricant. Niniejsza deklaracja zgodności wydana zostaje na wyłączną odpowiedzialność producenta. Prezenta declarație de conformitate este emisă pe răspundere exclusivă a producătorului. La presente declaración de conformidad se expide bajo la exclusiva responsabilidad del fabricante. A presente declaração de conformidade é emitida sob a exclusiva responsabilidade do fabricante.		
Object of the declaration/Objet de la déclaration/Przedmiot deklaracji/Obiectul declarației/Objeto de la declaración/Objeto da declaração		
Product/Produit/Produkt/Produsul/Producto/Produto Modelo/Modèle/Model/Modelul/Modelo/Modelo	Model/Modèle/Model/Modelul/Modelo/Modelo o	EAN
18V Cordless 90 mm Nailer / Cloueursans fil 90 mm/ Gwoździarkabezprzewodowa90 mm/Pistol pentru cuie de 90 mm fără fir / Clavadorainalámbrica de 90 mm mm/ Pistola de pregossemfios de 90 mm	ER1966NAL	5059340701530 5063022074300
The object of the declaration described above is in conformity with the relevant Union harmonisation legislation. L'objet de la déclaration décrit ci-dessus est conforme à la législation d'harmonisation de l'Union applicable. Wymieniony powyżej przedmiot niniejszej deklaracji jest zgodny z odpowiednimi wymaganiami unijnego prawodawstwa harmonizacyjnego. Obiectul declarației descris mai sus este în conformitate cu legislația relevantă de armonizare a Uniunii. El objeto de la declaración descrita anteriormente es conforme con la legislación de armonización pertinente de la Unión. O objeto da declaração acima descrito está em conformidade com a legislação de harmonização da União aplicável:		
2006/42/EC as amended Machinery Directive 2014/30/EU as amended Directive Electromagnetic compatibility 2011/65/EU as amended Directive Restriction of the use of certain hazardous substances in electrical and electronic equipment Directive 2006/42/CE relative aux machines 2014/30 / UE telle que modifiée Directive Compatibilități electromagnetice Directive 2011/65/UE relative à la limitation de l'utilisation de certaines substances dangereuses dans les équipements électriques et électroniques 2006/42/WE w zmienionej dyrektywie maszynowej 2014/30 / UE ze zmianami Dyrektywa Kompatybilność elektromagnetyczna 2011/65 / UE ze zmianami Dyrektywa Ograniczenie stosowania niektórych niebezpiecznych substancji w sprzęcie elektrycznym i elektronicznym 2006/42/CE, astfel a fost modificată Directiva privind echipamentele 2014/30/UE, astfel a fost modificată Directiva privind compatibilitatea electromagnetică 2011/65/UE, astfel a fost modificată Directiva privind limitarea utilizării anumitor substanțe periculoase în echipamentele electrice și electronice Directiva sobre maquinaria modificada 2006/42/CE 2014/30/UE modificada Directiva Compatibilitad electromagnética 2011/65/UE modificada Directiva Restricción del uso de determinadas sustancias peligrosas en equipos eléctricos y electrónicos 2006/42/CE como diretiva de máquinas alteradas 2014/30/UE como alteração da compatibilidade eletromagnética 2011/65/UE como restrição diretiva alterada da utilização de certas substâncias perigosas em equipamentos elétricos e eletrônicos		
References to the relevant harmonised standards used or references to the other technical specifications in relation to which conformity is declared: Références des normes harmonisées pertinentes appliquées, y compris la date de celles-ci, ou des autres spécifications techniques, y		



EN

<p>compris la date de celles-ci, par rapport auxquelles la conformité est déclarée: Odwolania do odnośnych norm zharmonizowanych, które zastosowano, wraz z datą normy, lub do innych specyfikacji technicznych, wraz z datą specyfikacji, w odniesieniu do których deklarowana jest zgodność: Trimiteri la standardele armonizate relevante folosite, inclusiv data standardului, sau trimiteri la celelalte specificații tehnice, inclusiv data specificațiilor, în legătură cu care se declară conformitatea: Referencias a las normas armonizadas pertinentes utilizadas, incluidas las fechas de las normas, o referencias a las otras especificaciones técnicas, incluidas las fechas de las especificaciones, respecto a las cuales se declara la conformidad: Referências às normas harmonizadas aplicáveis utilizadas, incluindo a data da norma, ou às outras especificações técnicas, incluindo a data da especificação, em relação às quais é declarada a conformidade:</p>	
EN IEC 55014-1:2021 EN IEC 55014-2:2021 EN 60745-1:2009+A11 EN 60745-2-16:2010	
<p>Authorised signatory and technical file holder/signataire et responsable de la documentation technique autorisé/podmiot uprawniony do wystawienia i adres przechowywania dokumentacji technicznej/semnatar autorizat și deținător al dosarului tehnic/firmante autorizado y titular del expediente tecnico/signatário autorizado e detentor da ficha técnica</p> <p>Kingfisher International Products B.V., Rapenburgerstraat 175E, 1011 VM Amsterdam, The Netherlands</p> 	
David Awe Group Quality Director	On :08/08/2023



 (UK) DECLARATION OF CONFORMITY		
Product - 18V Cordless 90mm Nailer - ERI966NAL - Serial number range from 000001 to 999999		
Name and address of the manufacturer or his authorised representative: Kingfisher International Products Limited 1 Paddington Square London W2 1GG United Kingdom		
This declaration of conformity is issued under the sole responsibility of the manufacturer.		
Object of the declaration		
Product	Model	EAN
18V Cordless 90mm Nailer	ERI966NAL	5059340701530 5063022074300
The object of the declaration described above is in conformity with the relevant legislation:		
Supply of Machinery (Safety) Regulations 2008 as amended Electromagnetic Compatibility Regulations 2016 as amended The Restriction of the use of Certain Hazardous Substances in Electrical and Electronic Equipment Regulations 2012 as amended		
References to the relevant designated standards used or references to the other technical specifications in relation to which conformity is declared: BS EN IEC 55014-1:2021 BS EN IEC 55014-2:2021 EN 60745-1:2009+A11 EN 60745-2-16:2010		
Authorised signatory and technical file holder: Kingfisher International Products Limited 1 Paddington Square London W2 1GG United Kingdom  David Awe Group Quality Director		
		On 18/08/2023



Erbauer

**Manufacturer, Fabricant, Producent,
Producător, Fabricante:**

UK manufacturer:

Kingfisher International Products Limited
1 Paddington Square
London
W2 1GG
United Kingdom
www.kingfisher.com/products

EU manufacturer:

Kingfisher International Products B.V.
Rapenburgerstraat 175E
1011 VM Amsterdam
The Netherlands



www.diy.com | www.screwfix.com | www.screwfix.ie

To view instruction manuals online,
visit www.kingfisher.com/products

Customer Helpline:

UK 03301248111 erbauer@powertoolservicing.co.uk

Eire 0035312479977 erbauer@powertoolservicing.co.uk