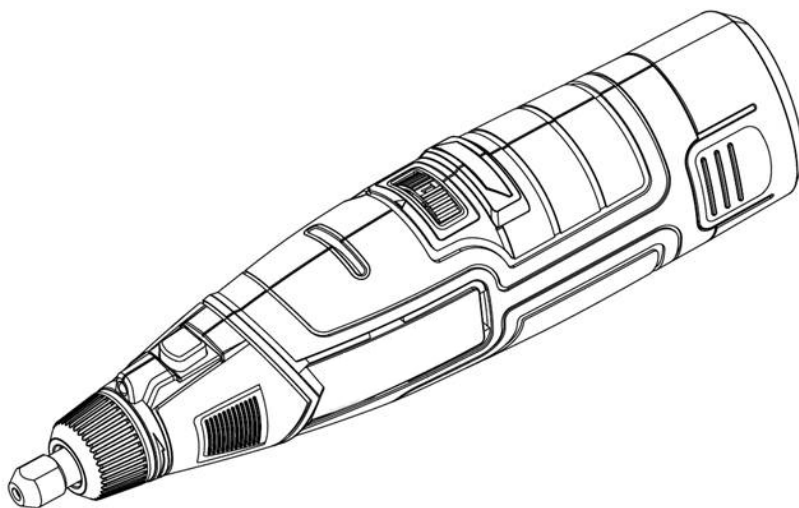




# TITAN



## TTG953MLT



WARNING: Read the instructions before using the product!

# Let's get started...

These instructions are for your safety. Please read through them thoroughly before use and retain them for future reference.



## Getting **started**... 02

<b>Safety</b> information	03
<b>Your</b> product	25
<b>Before</b> you start	27



## In more **detail**... 33

<b>Product</b> functions	34
<b>Operation</b>	39
<b>Care</b> and <b>maintenance</b>	41
<b>Trouble</b> shooting	44
<b>Recycling</b> and <b>disposal</b>	45
<b>Guarantee</b>	46
<b>Declarations</b> of conformity	47

## Safety warnings

### General power tool safety warnings



**WARNING!** Read all safety warnings, instructions, illustrations and specifications provided with this power tool. *Failure to follow all instructions listed below may result in electric shock, fire and/or serious injury.*

**Save all warnings and instructions for future reference.**

*The term “power tool” in the warnings refers to your mains-operated (corded) power tool or battery-operated (cordless) power tool.*

### Work area safety

- > **Keep work area clean and well lit.** *Cluttered or dark areas invite accidents.*
- > **Do not operate power tools in explosive atmospheres, such as in the presence of flammable liquids, gases or dust.** *Power tools create sparks which may ignite the dust or fumes.*
- > **Keep children and bystanders away while operating a power tool.** *Distractions can cause you to lose control.*

### Electrical safety

- > **Power tool plugs must match the outlet. Never modify the plug in any way. Do not use any adapter plugs with earthed (grounded) power tools.** *Unmodified plugs and matching outlets will reduce risk of electric shock.*
- > **Avoid body contact with earthed or grounded surfaces, such as pipes, radiators, ranges and refrigerators.** *There is an increased risk of electric shock if your body is earthed or grounded.*

Getting started....

- > **Do not expose power tools to rain or wet conditions.** *Water entering a power tool will increase the risk of electric shock.*
- > **Do not abuse the cord. Never use the cord for carrying, pulling or unplugging the power tool. Keep cord away from heat, oil, sharp edges or moving parts.** *Damaged or entangled cords increase the risk of electric shock.*
- > **When operating a power tool outdoors, use an extension cord suitable for outdoor use.** *Use of a cord suitable for outdoor use reduces the risk of electric shock.*
- > **If operating a power tool in a damp location is unavoidable, use a residual current device (RCD) protected supply.** *Use of an RCD reduces the risk of electric shock.*

## Personal safety

- > **Stay alert, watch what you are doing and use common sense when operating a power tool. Do not use a power tool while you are tired or under the influence of drugs, alcohol or medication.** *A moment of inattention while operating power tools may result in serious personal injury.*
- > **Use personal protective equipment. Always wear eye protection.** *Protective equipment such as a dust mask, non-skid safety shoes, hard hat, or hearing protection used for appropriate conditions will reduce personal injuries.*
- > **Prevent unintentional starting. Ensure the switch is in the off-position before connecting to power source and/or battery pack, picking up or carrying the tool.** *Carrying power tools with your finger on the switch or energising power tools that have the switch on invites accidents.*

- > **Remove any adjusting key or wrench before turning the power tool on.** *A wrench or a key left attached to a rotating part of the power tool may result in personal injury.*
- > **Do not overreach. Keep proper footing and balance at all times.** *This enables better control of the power tool in unexpected situations.*
- > **Dress properly. Do not wear loose clothing or jewellery. Keep your hair and clothing away from moving parts.** *Loose clothes, jewellery or long hair can be caught in moving parts.*
- > **If devices are provided for the connection of dust extraction and collection facilities, ensure these are connected and properly used.** *Use of dust collection can reduce dust-related hazards.*
- > **Do not let familiarity gained from frequent use of tools allow you to become complacent and ignore tool safety principles.** *A careless action can cause severe injury within a fraction of a second.*

### **Power tool use and care**

- > **Do not force the power tool. Use the correct power tool for your application.** *The correct power tool will do the job better and safer at the rate for which it was designed.*
- > **Do not use the power tool if the switch does not turn it on and off.** *Any power tool that can not be controlled with the switch is dangerous and must be repaired.*
- > **Disconnect the plug from the power source and/or remove the battery pack, if detachable, from the power tool before making any adjustments, changing accessories, or storing power tools.** *Such preventive safety measures reduce the risk of starting the power tool accidentally.*

- > **Store idle power tools out of the reach of children and do not allow persons unfamiliar with the power tool or these instructions to operate the power tool.** *Power tools are dangerous in the hands of untrained users.*
- > **Maintain power tools and accessories. Check for misalignment or binding of moving parts, breakage of parts and any other condition that may affect the power tool's operation. If damaged, have the power tool repaired before use.** *Many accidents are caused by poorly maintained power tools.*
- > **Keep cutting tools sharp and clean.** *Properly maintained cutting tools with sharp cutting edges are less likely to bind and are easier to control.*
- > **Use the power tool, accessories and tool bits etc. in accordance with these instructions, taking into account the working conditions and the work to be performed.** *Use of the power tool for operations different from those intended could result in a hazardous situation.*
- > **Keep handles and grasping surfaces dry, clean and free from oil and grease.** *Slippery handles and grasping surfaces do not allow for safe handling and control of the tool in unexpected situations.*

## Battery tool use and care

- > **Recharge only with the charger specified by the manufacturer.** *A charger that is suitable for one type of battery pack may create a risk of fire when used with another battery pack.*
- > **Use power tools only with specifically designated battery packs.** *Use of any other battery packs may create a risk of injury and fire.*

- > **When battery pack is not in use, keep it away from other metal objects, like paper clips, coins, keys, nails, screws or other small metal objects that can make a connection from one terminal to another.** *Shorting the battery terminals together may cause burns or a fire.*
- > **Under abusive conditions, liquid may be ejected from the battery; avoid contact. If contact accidentally occurs, flush with water. If liquid contacts eyes, additionally seek medical help.** *Liquid ejected from the battery may cause irritation or burns.*
- > **Do not use a battery pack or tool that is damaged or modified.** *Damaged or modified batteries may exhibit unpredictable behaviour resulting in fire, explosion or risk of injury.*
- > **Do not expose a battery pack or tool to fire or excessive temperature.** *Exposure to fire or temperature above 130 ° C may cause explosion.*
- > **Follow all charging instructions and do not charge the battery pack or tool outside the temperature range specified in the instructions.** *Charging improperly or at temperatures outside the specified range may damage the battery and increase the risk of fire.*

## Service

- > **Have your power tools serviced by a qualified repair person using only identical replacement parts.** *This will ensure that safety of the power tool is maintained.*
- > **Never service damaged battery packs.** *Service of battery packs should only be performed by the manufacturer or authorized service providers.*

## Safety warnings for cordless rotary tools

Safety warnings common for grinding, sanding, wire brushing, polishing, carving or abrasive cutting-off operations:

- > **This power tool is intended to function as a grinder, sander, wire brush, polisher, carving or cut-off tool. Read all safety warnings, instructions, illustrations and specifications provided with this power tool. *Failure to follow all instructions listed below may result in electric shock, fire and/or serious injury.***
- > **Do not use accessories which are not specifically designed and recommended by the tool manufacturer. *Just because the accessory can be attached to your power tool, it does not assure safe operation.***
- > **The rated speed of the grinding accessory must be at least equal to the maximum speed marked on the power tool. *Grinding accessories running faster than their rated speed can break and fly apart.***
- > **The outside diameter and the thickness of your accessory must be within the capacity rating of your power tool. *Incorrectly sized accessories cannot be adequately controlled.***
- > **The arbour size of wheels, sanding drums or any other accessory must properly fit the spindle or collet of the power tool. *Accessories that do not match the mounting hardware of the power tool will run out of balance, vibrate excessively and may cause loss of control.***
- > **Mandrel mounted wheels, sanding drums, cutters or other accessories must be fully inserted into the collet or chuck. *If the mandrel is insufficiently held and/or the overhang of the wheel is too long, the mounted wheel may become loose and be ejected at high velocity.***





- > **Do not use a damaged accessory. Before each use inspect the accessory such as abrasive wheels for chips and cracks, sanding drum for cracks, tear or excess wear, wire brush for loose or cracked wires. If power tool or accessory is dropped, inspect for damage or install an undamaged accessory. After inspecting and installing an accessory, position yourself and bystanders away from the plane of the rotating accessory and run the power tool at maximum no-load speed for one minute. *Damaged accessories will normally break apart during this test time.***
- > **Wear personal protective equipment. Depending on application, use face shield, safety goggles or safety glasses. As appropriate, wear dust mask, hearing protectors, gloves and workshop apron capable of stopping small abrasive or workpiece fragments. *The eye protection must be capable of stopping flying debris generated by various operations. The dust mask or respirator must be capable of filtering particles generated by your operation. Prolonged exposure to high intensity noise may cause hearing loss.***
- > **Keep bystanders a safe distance away from work area. Anyone entering the work area must wear personal protective equipment. *Fragments of workpiece or of a broken accessory may fly away and cause injury beyond immediate area of operation.***
- > **Hold power tool by insulated gripping surfaces only, when performing an operation where the cutting accessory may contact hidden wiring. *Cutting accessory contacting a "live" wire may make exposed metal parts of the power tool "live" and could give the operator an electric shock.***
- > **Always hold the tool firmly in your hand(s) during the start-up. *The reaction torque of the motor, as it accelerates to full speed, can cause the tool to twist.***

- > **Use clamps to support workpiece whenever practical. Never hold a small workpiece in one hand and the tool in the other hand while in use.** *Clamping a small workpiece allows you to use your hand(s) to control the tool. Round material such as dowel rods, pipes or tubing have a tendency to roll while being cut, and may cause the bit to bind or jump toward you.*
- > **Never lay the power tool down until the accessory has come to a complete stop.** *The spinning accessory may grab the surface and pull the power tool out of your control.*
- > **After changing the bits or making any adjustments, make sure the collet nut, chuck or any other adjustment devices are securely tightened.** *Loose adjustment devices can unexpectedly shift, causing loss of control, loose rotating components will be violently thrown.*
- > **Do not run the power tool while carrying it at your side.** *Accidental contact with the spinning accessory could snag your clothing, pulling the accessory into your body.*
- > **Regularly clean the power tool's air vents.** *The motor's fan will draw the dust inside the housing and excessive accumulation of powdered metal may cause electrical hazards.*
- > **Do not operate the power tool near flammable materials.** *Sparks could ignite these materials.*
- > **Do not use accessories that require liquid coolants.** *Using water or other liquid coolants may result in electrocution or shock.*

## Kickback and related warnings

Kickback is a sudden reaction to a pinched or snagged rotating accessory. Pinching or snagging causes rapid stalling of the rotating accessory which in turn causes the uncontrolled power tool to be forced in the direction opposite of the accessory's rotation.

For example, if an abrasive wheel is snagged or pinched by the workpiece, the edge of the wheel that is entering into the pinch point can dig into the surface of the material causing the wheel to climb out or kick out. The wheel may either jump toward or away from the operator, depending on direction of the wheel's movement at the point of pinching. Abrasive wheels may also break under these conditions.

Kickback is the result of power tool misuse and/or incorrect operating procedures or conditions and can be avoided by taking proper precautions as given below.

- > **Maintain a firm grip on the power tool and position your body and arm to allow you to resist kickback forces.** *The operator can control kickback forces, if proper precautions are taken.*
- > **Use special care when working corners, sharp edges etc. Avoid bouncing and snagging the accessory.** *Corners, sharp edges or bouncing have a tendency to snag the rotating accessory and cause loss of control or kickback.*
- > **Do not attach a toothed saw blade.** *Such blades create frequent kickback and loss of control.*
- > **Always feed the bit into the material in the same direction as the cutting edge is exiting from the material (which is the same direction as the chips are thrown).** *Feeding the tool in the wrong direction causes the cutting edge of the bit to climb out of the work and pull the tool in the direction of this feed.*
- > **When using rotary files, cut-off wheels, high-speed cutters or tungsten carbide cutters, always have the work securely clamped.** *These wheels will grab if they become slightly canted in the groove, and can kickback. When a cut-o wheel grabs, the wheel itself usually breaks. When a rotary le, high-speed cutter or tungsten carbide cutter grabs, it may jump from the groove and you could lose control of the tool.*

## Safety warnings specific for grinding and abrasive cutting-off operations

- > **Use only wheel types that are recommended for your power tool and only for recommended applications. For example do not grind with the side of a cut-off wheel. *Abrasive cut-off wheels are intended for peripheral grinding, side forces applied to these wheels may cause them to shatter.***
- > **For threaded abrasive cones and plugs use only undamaged wheel mandrels with an unrelieved shoulder flange that are of correct size and length. *Proper mandrels will reduce the possibility of breakage.***
- > **Do not “jam” the cut-off wheel or apply excessive pressure. Do not attempt to make an excessive depth of cut. *Overstressing the wheel increases the loading and susceptibility to twisting or binding of the wheel in the cut and the possibility of kickback or wheel breakage.***
- > **Do not position your hand in line with and behind the rotating wheel. *When the wheel, at the point of operation, is moving away from your hand, the possible kickback may propel the spinning wheel and the power tool directly at you.***
- > **When wheel is pinched, snagged or when interrupting a cut for any reason, switch off the power tool and hold the power tool motionless until the wheel comes to a complete stop. Never attempt to remove the cut-off wheel from the cut while the wheel is in motion otherwise kickback may occur. *Investigate and take corrective action to eliminate the cause of wheel pinching or snagging.***



- > **Do not restart the cutting operation in the workpiece. Let the wheel reach full speed and carefully re-enter the cut.** *The wheel may bind, walk up or kickback if the power tool is restarted in the workpiece.*
- > **Support panels or any oversized workpiece to minimize the risk of wheel pinching and kickback.** *Large workpieces tend to sag under their own weight. Supports must be placed under the workpiece near the line of cut and near the edge of the workpiece on both sides of the wheel.*
- > **Use extra caution when making a “pocket cut” into existing walls or other blind areas.** *The protruding wheel may cut gas or water pipes, electrical wiring or objects that can cause kickback.*

#### Safety warnings specific for wire brushing operations

- > **Be aware that wire bristles are thrown by the brush even during ordinary operation. Do not overstress the wires by applying excessive load to the brush.** *The wire bristles can easily penetrate light clothing and/or skin.*
- > **Allow brushes to run at operating speed for at least one minute before using them. During this time no one is to stand in front or in line with the brush.** *Loose bristles or wires will be discharged during the run-in time.*
- > **Direct the discharge of the spinning wire brush away from you.** *Small particles and tiny wire fragments may be discharged at high velocity during the use of these brushes and may become imbedded in your skin.*

## Additional safety warnings for charger

- > This charger can be used by children aged from 8 years and above and persons with reduced physical, sensory or mental capabilities or lack of experience and knowledge if they have been given supervision or instruction concerning use of the charger in a safe way and understand the hazards involved.
- > Children shall not play with the charger. Cleaning and user maintenance shall not be made by children without supervision.
- > The charger and battery pack supplied with it are specifically designed to work together. Only use the charger with the battery pack specified for this product (See section “Technical specifications”).
- > Do not charge non-rechargeable batteries.
- > Disconnect the charger from the power supply and allow it to cool down before cleaning, maintenance, storage and transportation.
- > Before using the charger, read all the instructions and cautionary markings on the charger and battery pack.
- > Charge the battery pack indoors only as the charger is designed for indoor use only.
- > Protect the charger against moisture and wet conditions. There is a danger of electric shock.
- > Do not place any object on top of the charger as it could cause overheating. Do not place the charger near any heat source.
- > Do not use an extension cord unless it is absolutely necessary. The use of an improper extension cord could cause the risk of fire, electric shock or electrocution.
- > Do not use the charger if it has been subjected to a heavy knock, dropped or otherwise damaged in any way. Have the charger checked and repaired by an authorised service centre.
- > When the charger is in use it **MUST** be supervised, if there is any evidence of overheating then immediately disconnect the charger from the power supply.



- > If gas or smoke is emitted during charging disconnect the charger from the power supply and move to a well ventilated area.
- > Always disconnect the charger when the charging is complete.
- > Do not charge a damaged battery pack.

### **Additional safety warnings for battery packs**

- > Do not attempt to charge the battery pack with any other charger than the one supplied. The charger and battery pack supplied with it are specifically designed to work together.
- > Charge and store the battery pack in an ambient temperature of 18 - 24 °C (65 - 75 °F) to ensure the longest battery life and best performance. Do not charge or store the battery pack in temperatures below 0 °C (32 °F) and above 45 °C (113 °F).
- > Never attempt to open the battery pack for any reason. If the plastic housing of the battery pack breaks open or cracks, immediately discontinue its use and do not recharge it.
- > Do not store or carry a spare battery pack in a pocket or toolbox or any other place where it may come into contact with metal objects. The battery pack may be short-circuited causing damage to the battery pack, burns or a fire.
- > Do not pierce the battery pack with nails, strike the battery pack with a hammer, step on the battery pack or otherwise subject it to strong impacts or shocks.
- > Protect the battery pack against heat. Do not place the battery pack in direct sunlight or use or store the battery pack inside cars in hot weather. Doing so may cause the battery pack to generate heat, explode or ignite.
- > Never try to charge a battery pack that is cracked or damaged in any other way. There is a danger of electric shock or electrocution.

- > Do not expose battery to water , or allow the battery to get wet.
- > If you intend to store a battery for a period without use then store battery at room temperature (19 °C to 25 °C) , charged to about 30 –50% of capacity. When storing for very long periods boost charge the battery once per year to prevent over discharge.

The following information applies to professional users only but is good practice for all users:

### **Additional safety warnings for construction dust**

The updated Control of Substances Hazardous to Health Regulations 1st October 2012 now also targets to reduce the risks associated with silica, wood and gypsum dusts. Construction workers are one of the at-risk groups within this because of the dust that they breathe: silica dust is not just a nuisance, it is a real risk to your lungs!

Silica is a natural mineral present in large amounts in things like sand, sandstone and granite. It is also commonly found in many construction materials such as concrete and mortar. The silica is broken into very fine dust (also known as Respirable Crystalline Silica or RCS) during many common tasks such as cutting, drilling and grinding. Breathing in very fine particles of crystalline silica can lead to the development of:

Lung cancer Silicosis Chronic Obstructive Pulmonary Disorder/Chronic obstructive pulmonary disease (COPD)  
And breathing in fine particles of wood dust can lead to the development of Asthma. The risk of lung disease is linked to people who regularly breathe construction dust over a period of time, not on the odd occasion.





To protect the lung, the COSHH Regulations sets a limit on the amount of these dusts that you can breathe (called a Workplace Exposure Limit or WEL) when averaged over a normal working day. These limits are not a large amount of dust: when compared to a penny it is tiny – like a small pinch of salt:

This limit is the legal maximum, the most you can breathe after the right controls have been used.

How to reduce the amount of dust?

1. Reduce the amount of cutting by using the best sizes of building products.
2. Use a less powerful tool e.g. a block cutter instead of angle grinder.
3. Using a different method of work altogether – e.g. using a nail gun to direct fasten cable trays instead of drilling holes first.
4. Please always work with approved safety equipment, such as those dust masks that specially designed to filter out microscopic particles and use the dust extraction facility at all time.

For more information please see the HSE website:

<http://www.hse.gov.uk/construction> or  
<http://www.hse.gov.uk/pubns/cis69.pdf>



**Warning:** Some dust particles created by power sanding, sawing, grinding, drill and other construction jobs contain chemicals known to cause cancer, birth defects or other reproductive harm. Some examples of these chemicals are:

- Lead from lead-based paints.
- Crystalline silica from bricks and cement and other masonry products.

•Arsenic and chromium from chemically treated timber. Your risk from these exposures varies, depending upon how often you do this type of work. To reduce your exposure to these chemicals:

- Work in a well-ventilated area.
- Work with approved safety equipment, such as those dust masks that are specially designed to filter microscopic particles.

## VIBRATION

The European Physical Agents (Vibration) Directive has been brought in to help reduce hand arm vibration syndrome injuries to power tool users. The directive requires power tool manufacturers and suppliers to provide indicative vibration test results to enable users to make informed decisions as to the period of time a power tool can be used safely on a daily basis and the choice of tool.

SEE TECHNICAL SPECIFICATIONS IN THE INSTRUCTION MANUAL FOR THE VIBRATION LEVELS OF YOUR TOOL.

The declared vibration emission value should be used as a minimum level and should be used with the current guidance on vibration.

Calculating the actual period of use can be difficult and the HSE website has further information.

While working with this power tool, hand/arm vibrations occur. Adopt the correct working practices in order to reduce the exposure to vibration. This tool may cause hand-arm vibration syndrome if its use is not adequately managed.



**Warning:** Identify safety measures to protect the operator that are based on an estimation of exposure in the actual conditions of use (taking account of all parts of the operating cycle such as the times when the tool is switched off and when it is running idle in addition to the trigger time). Note: The use of other tools will reduce the users' total working period on this tool.

Helping to minimise your vibration exposure risk.  
ALWAYS use sharp chisels, drills and blades.

Maintain this tool in accordance with these instructions and keep well lubricated (where appropriate).

Avoid using tools in temperatures of 10°C or less. Plan your work schedule to spread any high vibration tool use across a number of days.

### **Health surveillance**

All employees should be part of an employer's health surveillance scheme to help identify any vibration related diseases at an early stage, prevent disease progression and help employees stay in work.

### **Emergency**

**Familiarise yourself with the use of this product by means of this instruction manual. Memorise the safety directions and follow them to the letter. This will help to prevent risks and hazards.**

- > **Always be alert when using this product, so that you can recognise and handle risks early.** Fast intervention can prevent serious injury and damage to property.
- > **Switch off and disconnect from the power supply if there are malfunctions.** Have the product checked by a qualified professional and repaired, if necessary, before you operate it again.
















### **Residual risks**

**Even if you are operating this product in accordance with all the safety requirements, potential risks of injury and damage remain. The following dangers can arise in connection with the structure and design of this product:**

- > Health defects resulting from vibration emission if the product is being used over long periods of time or not adequately managed and properly maintained.
- > Injuries and damage to property due to broken cutting attachments or the sudden impact of hidden objects during use.
- > Danger of injury and property damage caused by flying objects.

## Symbols

On the product, the rating label and within these instructions you will find among others the following symbols and abbreviations. Familiarize yourself with them to reduce hazards like personal injuries and damage to property.

V~	Volt, (alternating voltage)	°C	Degree Celsius
V ===	Volt, (direct current voltage)	Nm	Newton metre
Hz	Hertz	/min or min <sup>-1</sup>	Revolutions per minute
W	Watt	mm	Millimetre
A	Ampere	kg	Kilogram
mA	Milliampere	dB(A)	Decibel (A-rated)
mAh	Milliampere-hour	m/s <sup>2</sup>	Metres per second squared
	Lock / to tighten or secure.		Unlock / to loosen.
	Note / Remark.		Caution / Warning.
	Read the instruction manual.		Wear hearing protection.
	Before charging, read the instructions		
	Wear eye protection.		Wear a dust mask.
	Wear protective gloves.		Wear protective, slip-resistant footwear.
yyWxx	Manufacturing date code; year of manufacturing (20yy) and week of manufacturing (Wxx)		
	Switch the product off and remove the battery pack to disconnect from the power supply before assembly, cleaning, adjustments, maintenance, storage and transportation.		
	This product is of protection class II. That means it is equipped with enhanced or double insulation.		
	The product complies with the applicable European directives and an evaluation method of conformity for these directives was done.		
	UK Conformity Assessed.		

Getting started....



# Symbols



WEEE symbol. Waste electrical products should not be disposed of with household waste. Please recycle where facilities exist. Check with your Local Authority or local store for recycling advice.



Crossed out dust bin. Batteries and battery packs should not be disposed of with household waste. Please recycle where facilities exist. Check with your Local Authority or local store for recycling advice.



Indoor use only.



Do not dispose of battery packs in rivers or immerse in water.



Do not dispose of battery packs in fire. They will explode and cause injury.



Do not expose battery packs to heat in excess of 45°C. Do not charge or store the battery pack in temperatures below 0°C and above 45°C.



Approx. 1h charging time.

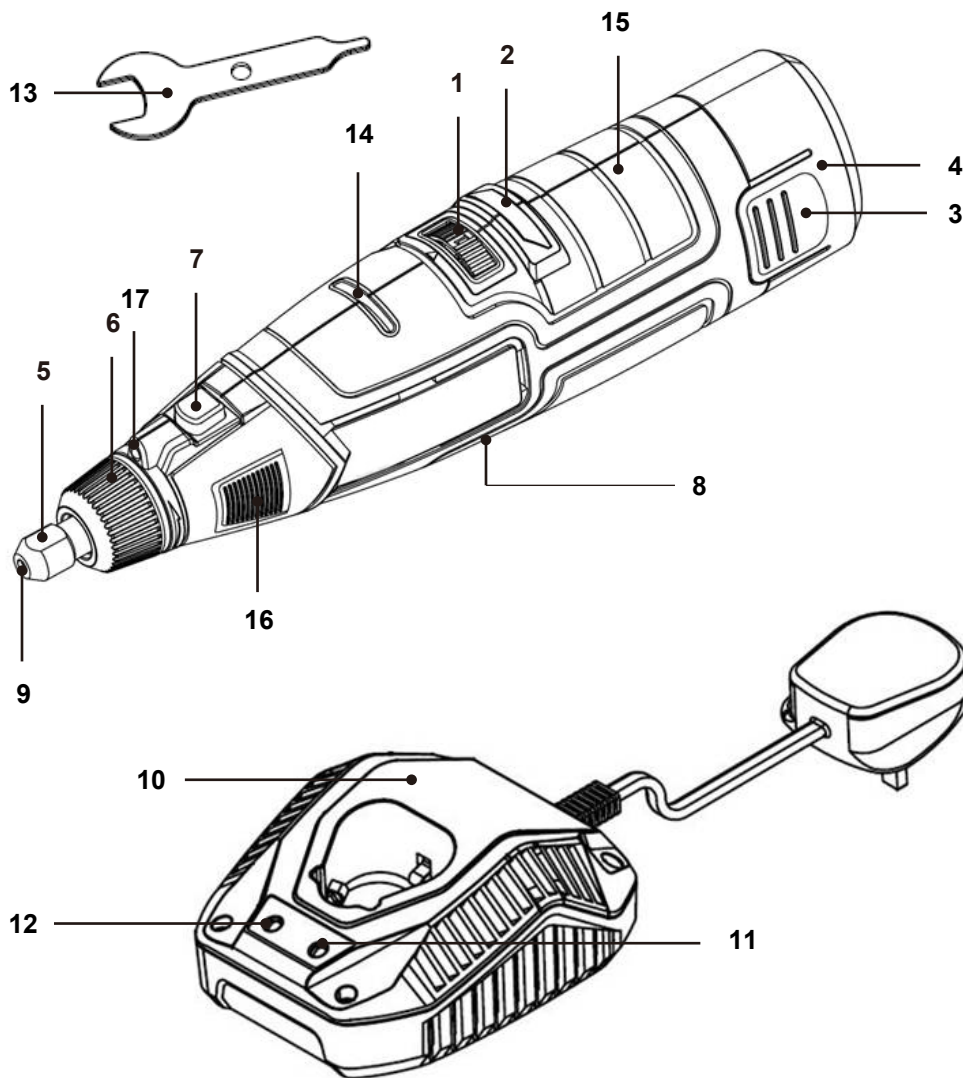


Time lag fuse with rated current of 2A



## Your product

Getting started...



- |                              |                                      |
|------------------------------|--------------------------------------|
| 1. Speed adjuster            | 9. Collet                            |
| 2. Battery indicator lights  | 10. Charger                          |
| 3. Battery release button x2 | 11. Charging indicator light (Green) |
| 4. Battery pack              | 12. Charging indicator light (Red)   |
| 5. Tensioning nut            | 13. Spanner                          |
| 6. Nose cap                  | 14. Vents                            |
| 7. Shaft lock button         | 15. Handle                           |
| 8. On/off switch             | 16. Gripping surface                 |
|                              | 17. Work light                       |

## Technical specifications

### Rotary tool

- > Rated voltage : 12 V ===
- > Rated speed  $n$  : 5000 - 25000/min
- > Collet clamping capacity :  $\Phi$  3.2mm(1/8")
- > Max. accessory diameter :  $\Phi$  25 mm
- > Weight : Approx. 0.5 kg (including battery pack)

### Battery pack

- > Model no. : TTB901DRS
- > Cell : Li-Ion, 3pcs
- > Capacity : 1500 mAh
- > Voltage : 12 V d.c.
- > Weight : Approx. 0.2 kg
- > Ambient temperature range  
for tool and battery use : 0 - 45 ° C

### Charger

- > Model no. : TTB902CHR
- > Rated input : 230 - 240 V~, 50 Hz 38 W
- > Rated output : 12.6V d.c. 2.4 A
- > Charging time : Approx. 1 h
- > Weight : approx. 0.3 kg

### Sound values

- > Sound pressure level  $L_{pA}$  : 78 dB(A)
- > Sound power level  $L_{WA}$  : 86 dB(A)
- > Uncertainty  $K_{pA}$ ,  $K_{WA}$  : 3 dB(A)

### Hand arm vibration values

- > Vibration emission value  $a_h$  : 2.47 m/s<sup>2</sup>
- > Uncertainty  $K$  : 1.5 m/s<sup>2</sup>

The sound intensity level for the operator may exceed 80 dB(A) and ear protection measures are necessary. The declared vibration total value(s) and the declared noise emission value(s) have been measured in accordance with a standard test method (EN62841-1 & EN60745-2-23) and may be used for comparing one tool with another; they may also be used in a preliminary assessment of exposure.



**WARNING !** The vibration and noise emissions during actual use of the power tool can differ from the declared values depending on the ways in which the tool is used especially what kind of workpiece is processed; and need to identify safety measures to protect the operator that are based on an estimation of exposure in the actual conditions of use (taking account of all parts of the operating cycle such as the times when the tool is switched off and when it is running idle in addition to the trigger time).





## Rating Label Explanation

TTG953MLT = MODEL NUMBER

TT = TITAN(Brand)

G=12V Li-Ion

953=Serial no.

MLT=Rotary tool

## Unpacking

- > Unpack all parts and lay them on a flat, stable surface.
- > Remove all packing materials and shipping devices, if applicable.
- > Make sure the delivery contents are complete and free of any damage. If you find that parts are missing or show damage do not use the product but contact your dealer. Using an incomplete or damaged product represents a hazard to people and property.
- > Ensure that you have all the accessories and tools needed for assembly and operation. This also includes suitable personal protective equipment.



**WARNING!** The product and the packaging are not children's toys! Children must not play with plastic bags, sheets and small parts! There is a danger of choking and suffocation!

## You will need

### (items not supplied)

Suitable personal protective equipment

Polishing paste

### (items supplied)

1 pc Charger (10)

1 pc Battery pack (4)

1 pc Spanner (13)

1 pc Radial nylon brush (18)

1 pc Silicon carbide grinding wheel (19)

3 pcs Felt wheels (20)

4 pcs Sanding bands (21)

1 pc Aluminum oxide grinding wheel (22)

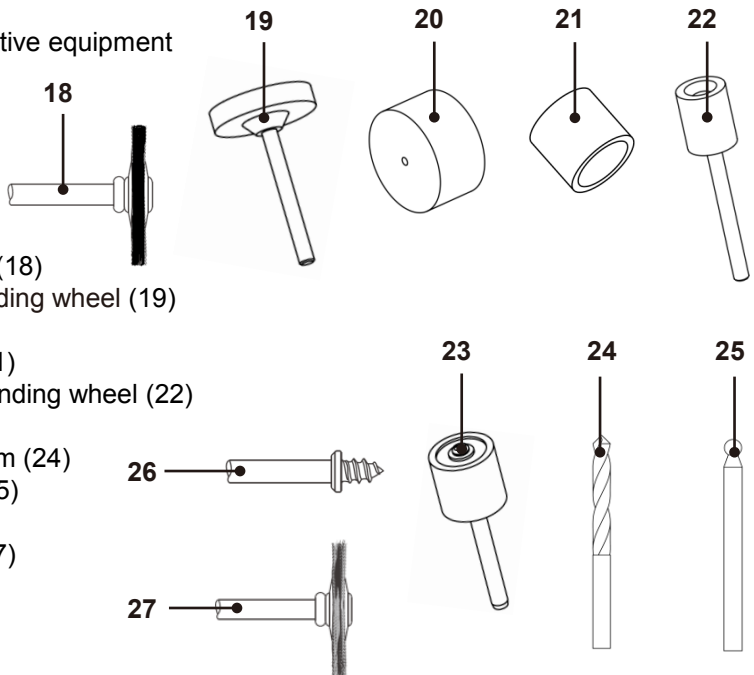
1 pc Sanding drum (23)

1 pc HSS cutter:  $\Phi 3.2\text{mm}$  (24)

1 pc Engraving cutter (25)

1 pc Mandrel(26)

1 pc Steel wire brush (27)



Getting started....



# Setup



**WARNING!** The product must be fully assembled before operation! Do not use a product that is only partly assembled or assembled with damaged parts!



Follow the assembly instructions step-by-step and use the pictures provided as a visual guide to easily assemble the product!  
Do not connect the product to power supply before it is completely assembled!



**WARNING!** Always be sure that the tool is switched off and the battery is removed before adjusting or checking function on the tool.

# Collet



**WARNING!** Always be sure that the collet is installed securely before operation. If not it may cause serious personal injury during operation.



**WARNING!** After short operation, switch the product off and check once again that the collet is properly fastened!

## Replacing / Removing

> Press the shaft lock button (7) down while rotating the tensioning nut (5) and ensure shaft (28) do not wobble, use the spanner (13) to remove the tensioning nut (5) by turning it anticlockwise and then take the collet (9) out from the shaft (28) (Fig.1&2) .

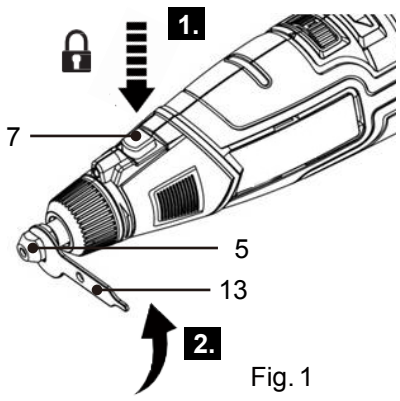


Fig. 1

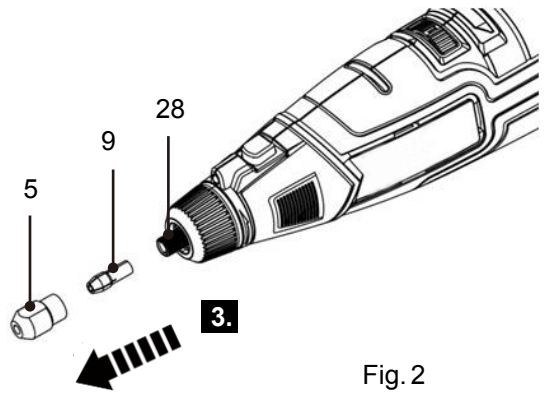


Fig. 2



## Installing

> Insert the collet (9) into the shaft (28) and then screw the tensioning nut (5) onto the shaft (28). Press the shaft lock button (7) down if necessary while rotating the tensioning nut (5) (Fig.3&4) .

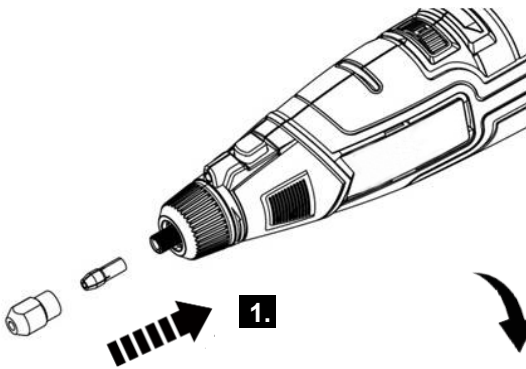


Fig. 3

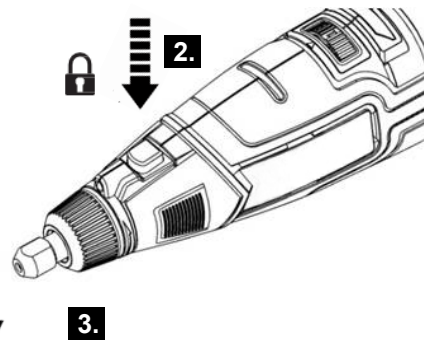


Fig. 4

## Accessory

### Installing

> Insert the accessory into the collet (9) to your desired position . Press the shaft lock button (7) down and ensure shaft do not wobble, use the spanner (13) to tighten the tensioning nut (5) by turning it clockwise (Fig.5&6) .

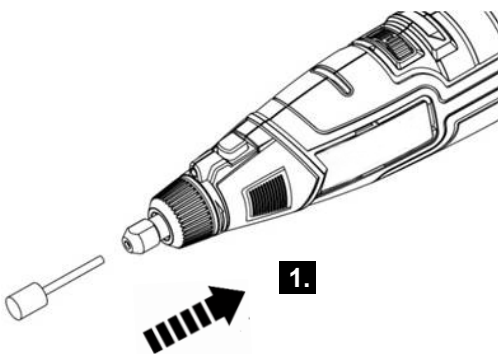


Fig. 5

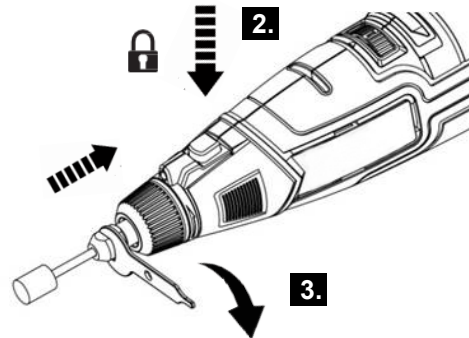
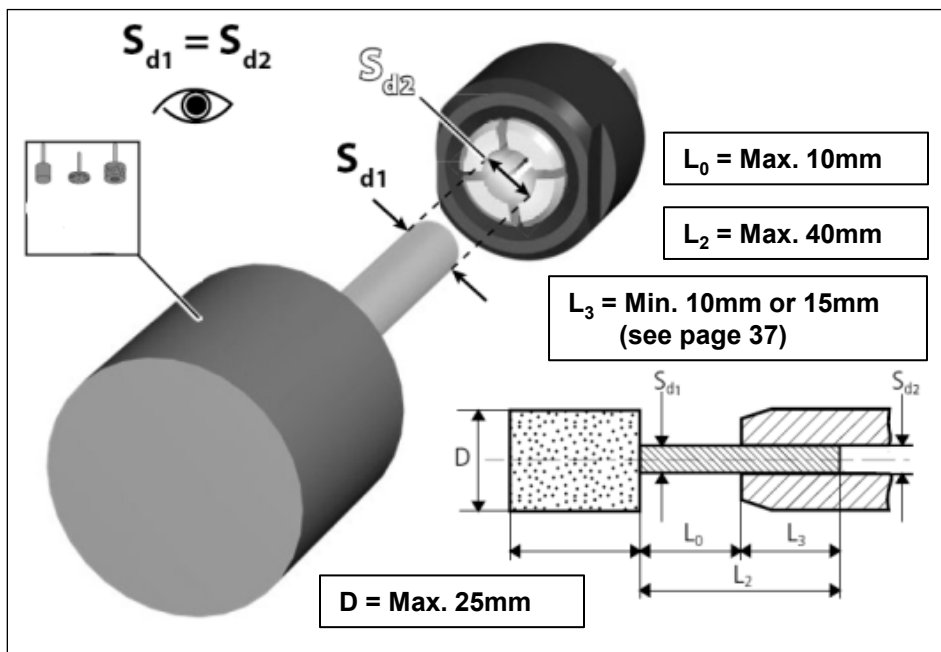


Fig. 6

Getting started....

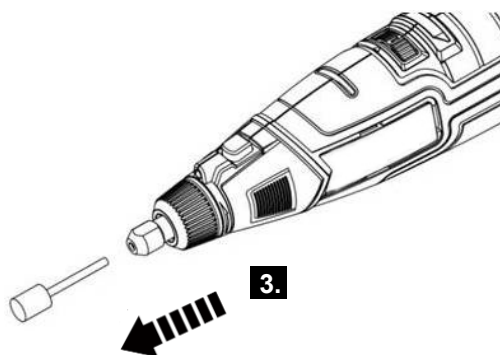
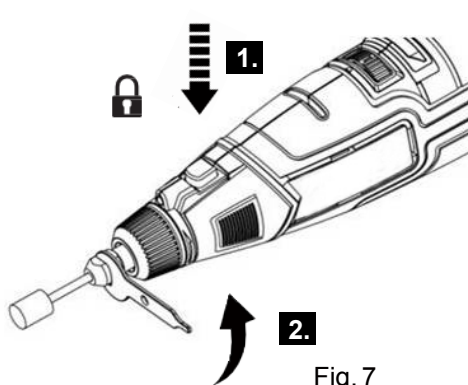


**NOTE:** The accessory should not be mounted more than 10 mm from the tensioning nut. Exceeding this distance could cause vibration or a broken spindle. Below figure for detail dimension relations.



### Replacing / Removing

> Press the shaft lock button (7) down while rotating the tensioning nut (5) and ensure the shaft do not wobble, use the spanner(13) to loosen the tensioning nut (5) by turning it anticlockwise and then take the accessory out from the collet (9) (Fig.7&8) .

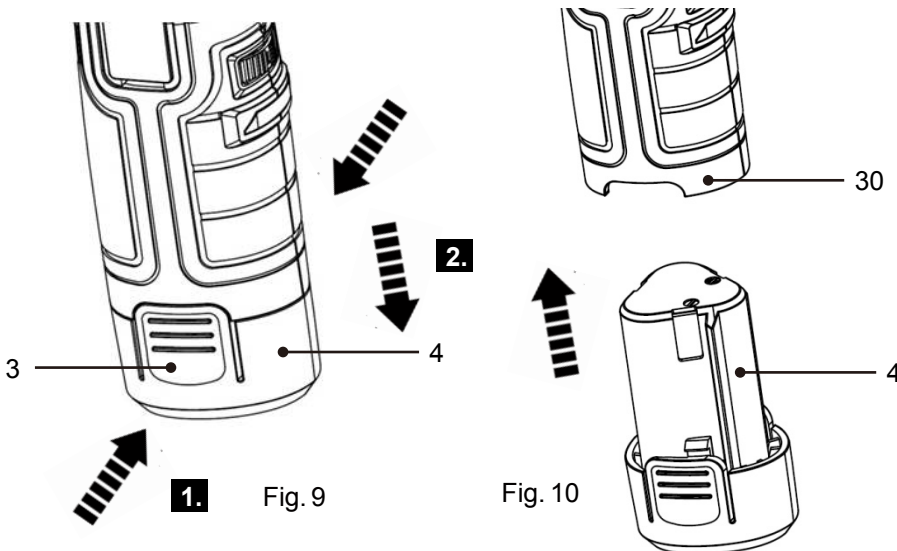




## Battery pack

### Release / Attach

- > Press the battery release button (3) on both side of the battery pack (4) and slide the battery pack from the product (Fig. 9).
- > Align the battery pack (4) to the bottom of the handle (30) and slide the battery pack in to attach it. Ensure it clicks in place (Fig.10).



### Charging the battery



**WARNING!** Do not use any charger other than that specifically provided for use with the equipment.



**NOTES:** If the battery pack is very hot you must remove your battery pack from the charger and allow time for the battery to cool down before recharging.

The battery in your new tool is not charged when it leaves the plant.

Therefore, it must be fully charged before using the first time.

Please charge the battery to reach full or no less than half charge before storage. If the tool will not be used for long periods of time, charge the battery every 3-6 months.

> Insert the battery pack (4) in the charger (10) (Fig. 11). Connect the charger to the power supply. The indicator lights(11/12) on the charger show the status as described in below table.

Green light (11)	RED light (12)	Status
OFF	ON	Charging
ON	OFF	Fully charged, or battery temperature is too high(Charging will start automatically after cooling down).

> When charging is completed (approx. 1h), the red charging indicator (12) is OFF. Disconnect the charger (10) from power supply and remove battery pack (4) from the charger (10).

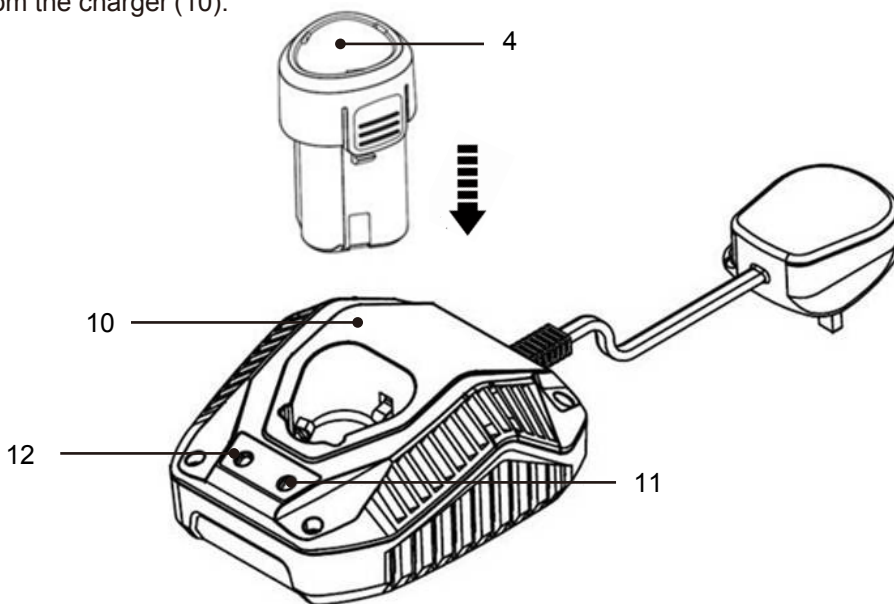


Fig. 11

## Battery indicator lights

> Turn the tool on to check the remaining battery capacity, the battery indicator lights (2) light up to show the battery status as below (Fig.12) :

RED LED	YELLOW LED	GREEN LED	BATTERY STATUS
●	●	●	>70%
●	●	○	35%-70%
●	○	○	<35%

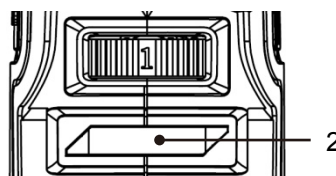
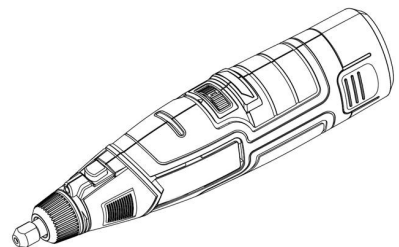


Fig.12

# In more detail...



<b>Product functions</b>	34
<b>Operation</b>	39
<b>Care and maintenance</b>	41
<b>Trouble shooting</b>	44
<b>Recycling and disposal</b>	45
<b>Guarantee</b>	46
<b>Declarations of conformity</b>	47



## Intended use

The rotary tool is intended for grinding, cutting, sanding, polishing and wire brushing of wood, plastic and metal. It is ideally suited for working on hard to reach areas. Please refer to the instructions supplied by the accessory manufacturer. The machine is suitable only for working without water. Do not use the product in any way other than those stated for intended use. For safety reasons it is essential to read the entire instruction manual before first operation and to observe all the instructions therein.

## Switching on/off

- > To start the tool, slide the On/Off Switch (8) toward the "I(ON)" position (Fig. 13).
- > To stop the tool, slide the On/Off Switch (8) toward the "O(OFF)" position (Fig. 13).

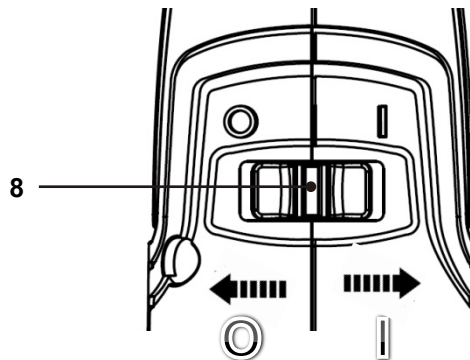


Fig.13

## Speed control

- > The rotary tool provides a speed range from 5000 to 25000rpm. To select the proper speed for each job, use a practice piece of material.
- > To change the rotation speed, turn the speed adjusting dial (1) between "1" and "6" (Fig. 14). The higher the number is, the higher rotation speed is. For example, a speed setting of "1" is approximately 5000rpm and a speed setting of "6" is approximately 25000rpm.
- > Preset the dial to the number suitable for your work job.
- > Refer to the table for the relationship between the number settings and the approximate tool speed.

In more detail...



Dial number	Approx. speed min <sup>-1</sup> (RPM)
1	5,000
2	9,000
3	13,000
4	17,000
5	21,000
6	25,000

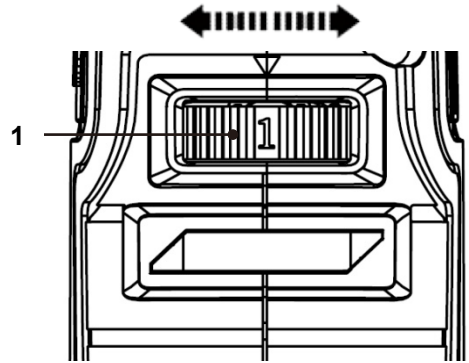


Fig.14

The following are recommendations only and not binding. When carrying out practical work, try it out on test pieces to see which settings are ideal for the material you are working on.

Number	Material being worked
1-3	Plastics and materials with a low melting point
4-5	Stone, ceramics
5	Soft wood, metal
6	Hardwood, Steel

## Accessory



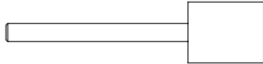
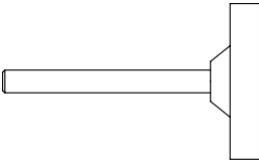


**WARNING!** Always use the correct accessory according to the intended use! Observe the technical requirements of this product (see section "Technical specifications" ) when purchasing and using accessories!

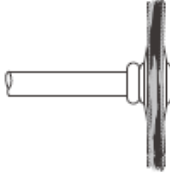
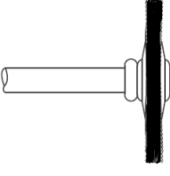
Some accessories are very sharp and become hot during use! Handle them carefully! Wear protective gloves when handling accessories in order to avoid injuries like burns and cuts!

Different accessories can be used with this product depending on the material being worked.

Accessory	Picture	Description
Screw mandrel and felt polishing wheels		This is a screw mandrel used with the felt polishing wheels.
Sanding drum and sanding bands		The sanding drum simplifies the process of changing sanding bands.

In more detail...

Accessory	Picture	Description
Aluminum oxide grinding wheel		Aluminum oxide grinding wheel is used for sharpening lawn mower blades, screwdriver tips, knives, scissors, chisels and other cutting tools. Use to remove flash from metal castings, deburring any metal after cutting, smoothing welded joints, grinding off rivets and removing rust.
Silicon carbide grinding wheel		Cleaning, deburring, grinding and polishing of non-ferrous metal, rock, ceramic, porcelain.
Engraving Cutter		This accessory is made for intricate work on ceramics (greenware), wood carvings, jewelry and scrimshaw. It is often used in making complicated printed circuit boards. It should not be used on steel and other very hard materials but is excellent on wood, plastic and soft metals.
HSS cutter		For carving, cutting and slotting in wood and plastics.

Accessory	Picture	Description
Steel Wire Brush		Steel wire brush for rust or corrosion removing, polishing of metals.
Radial nylon brush		Radial nylon brush for cleaning, polishing of silver, jewellery.



**WARNING!** For steel wire brush use: do not have people in the direction when polishing.



**WARNING!** Maximum operating speed of the steel wire brush is 15,000/min. Allow it to run for one minute before use. Refer to operating speeds section for proper tool speed setting.



**NOTE:** The grinding wheels, engraving cutter, HSS cutter and wire brushes are ready to be inserted. The mandrels (26) and felt wheels (20), sanding band (21) and sanding drum (23) must be assembled before using.

In more detail...

## Application examples/selecting a suitable tool

Function	Accessories	Usage	L <sub>3</sub> (min–max) mm, see page 28
Milling	HSS cutter	Carving, cutting and slotting in wood and plastics.	15–25
Engraving	Engraving cutter	Labelling, handicraft	15–30
Sanding and polishing	Felt wheel	Polishing precious metals such as gold and silver	15–30
	Sanding band	Sanding on wood, metal, ceramic etc.	15–20
Cleaning	Steel wire brush	Rust or corrosion removing, polishing of metals	10–25
	Radial nylon brush	Cleaning, polishing of silver, jewellery.	
Grinding	Aluminum oxide grinding wheel	Grinding work on alloyed steel, cutting tools etc.	15–25
	Silicon Carbide Grinding wheel	Grinding on non-ferrous metal, rock, ceramic, porcelain.	

In more detail...

### General operation

- > Working with the rotary tool takes practice. Familiarise yourself with the rotary tool's features completely before starting.
  - > Turn the tool on without the accessory making any contact with the workpiece and wait until the tool attains full speed.
  - > Depending on the application, the product must be held in different positions in order to work safely and reach optimal work results.
- (1) For fine work, such as engraving, hold the rotary tool like a pen and guide it lightly across the workpiece. Do not apply excess pressure. Working this way gives the best control and reduces the potential for error (Fig. 15).
  - (2) Hold the product like a hammer shaft for coarse work such as polishing with a steel wire brush (Fig. 16).



**WARNING!** Keep apply light pressure on the tool. Excessive pressure on the tool will only cause a poor finish and overloading of the motor.



**WARNING!** Avoid bouncing and snagging the accessory, especially when working corners, sharp edges etc. This can cause loss of control and kickback.



**WARNING!** Never switch on the tool when it is in contact with the workpiece, it may cause an injury to operator.



**WARNING!** Always wear safety goggles or a face shield and wear protective gloves during operation. Wear protective mask if necessary.



**WARNING!** After operation, always switch off the tool and wait until the wheel has come to a complete stop before putting the tool down.

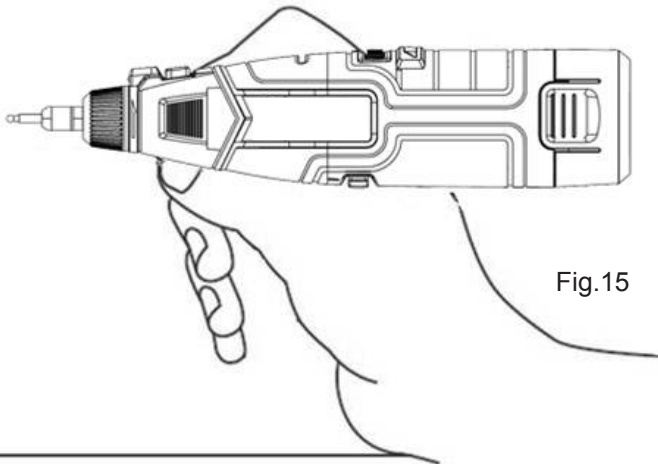


Fig.15

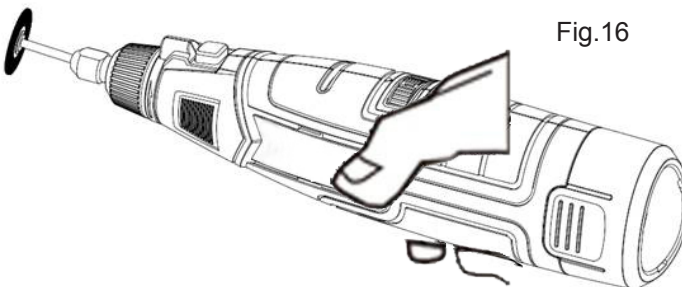


Fig.16

In more detail...



**NOTICE:** Do not cover vents (14) when working, or it may cause overheating and damage to the tool.



**NOTE:** If the tool is operated continuously until the battery has discharged, allow the tool to rest for 15 minutes before proceeding with a fresh battery.

## Side grinding

- > Use the grinding accessory at a 30 - 40° angle to the workpiece. Applying excess pressure while grinding damages the rotary tool, wears the accessory excessively and produces unsatisfactory results.



**WARNING!** Only use the supplied grinding accessory when side grinding.

## Peripheral grinding (cutting)

- > Only use the cutting accessory at a 90° angle to the workpiece, side forces applied to these accessory may cause them to shatter.
- > Applying excess pressure while grinding damages the rotary tool, wears the accessory excessively and produces unsatisfactory results.



**WARNING!** Only use the supplied cutting accessory for peripheral grinding.

## After use

- > Switch the product off, disconnect it from the power supply and let it cool down.
- > Check, clean and store the product as described below.

## The golden rules for care



**WARNING!** Always switch the product off, remove the battery pack and let the product cool down before performing inspection, maintenance and cleaning work!

- > Keep the product clean. Remove debris from it after each use and before storage.
- > Regular and proper cleaning will help ensure safe use and prolong the life of the product.
- > Inspect the product before each use for worn and damaged parts. Do not operate it if you find broken and worn parts.



**WARNING!** Only perform repairs and maintenance work according to these instructions! All further works must be performed by a qualified specialist!

## General cleaning

- > Clean the product with a dry cloth. Use a brush for areas that are hard to reach.
- > In particular clean the air vents (14) after every use with a cloth and brush.
- > Remove stubborn dirt with high pressure air (max. 3 bar).



**NOTE:** Do not use chemical, alkaline, abrasive or other aggressive detergents or disinfectants to clean this product as they might be harmful to its surfaces.

- > Check for worn or damaged parts. Replace worn parts as necessary or contact an authorised service centre for repair before using the product again.

## Maintenance

Before and after each use, check the product and accessories (or attachments) for wear and damage. If required, exchange them for new ones as described in this instruction manual. Observe the technical requirements.

## Power cord

If the supply cord is damaged, it must be replaced by the manufacturer, its service agent or similarly qualified persons in order to avoid a hazard.

## UK plug

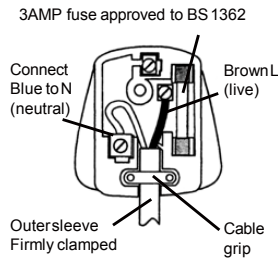
If you need to replace the fitted plug, then follow the instructions below.  
**IMPORTANT:** The wires in the mains lead are coloured in accordance with the following code:

Blue – Neutral

Brown – Live



As the colours of the wire in the mains lead of this product may not correspond with the coloured marking identifying the terminals in your plug, proceed as follows. The wire, which is coloured blue, must be connected to the terminal, which is marked with N or coloured black. The wire, which is coloured brown, must be connected to the terminal, which is marked L or coloured red.



**WARNING!** Never connect live or neutral wires to the earth terminal of the plug, which is marked with E.

Only fit an approved BS1363 or BS1363/A plug and correctly rated BS1362 3AMP fuse. If in doubt, consult a qualified electrician.

**NOTE:** If a moulded plug is fitted and has to be removed take great care in disposing of the plug and severed cable, it must be destroyed to prevent engaging into a socket.

## Repair

This product does not contain any parts that can be repaired by the consumer. Contact an authorised service centre or a similarly qualified person to have it checked and repaired.

## Storage

- > Switch the product off and remove the battery pack.
- > Clean the product as described above.
- > Store the product and its accessories in a dark, dry, frost-free, well-ventilated place.
- > Always store the product in a place that is inaccessible to children. The ideal storage temperature is between 10°C and 30°C.
- > We recommend using the original package for storage or covering the product with a suitable cloth or enclosure to protect it against dust.

## Transportation

- > Switch the product off and remove the battery pack.
- > Attach transportation guards, if applicable.
- > Always carry the product by its handle (15).
- > Protect the product from any heavy impact or strong vibrations which may occur during transportation in vehicles.
- > Secure the product to prevent it from slipping or falling over.

## Troubleshooting

Suspected malfunctions are often due to causes that the users can fix themselves. Therefore check the product using this section. In most cases the problem can be solved quickly.



**WARNING!** Only perform the steps described within these instructions! All further inspection, maintenance and repair work must be performed by an authorised service centre or a similarly qualified specialist if you cannot solve the problem yourself!

Problem	Possible cause	Solution
1. Product does not start	<ol style="list-style-type: none"> <li>1. The on/off switch not slide toward the "I(ON)" position completely</li> <li>2. Battery pack not properly attached</li> <li>3. Battery pack discharged</li> <li>4. Battery pack damaged</li> <li>5. Other electrical defect to the product</li> </ol>	<ol style="list-style-type: none"> <li>1. Slide the on/off switch toward the "I(ON)" position completely, or switch off then switch on again.</li> <li>2. Attach properly</li> <li>3. Remove and charge battery pack</li> <li>4. Replace with a new one</li> <li>5. Check by a specialist electrician</li> </ol>
2. Product does not reach full power	<ol style="list-style-type: none"> <li>1. Battery pack capacity too low</li> <li>2. Air vents are blocked</li> <li>3. Tool speed is low</li> </ol>	<ol style="list-style-type: none"> <li>1. Charge battery pack</li> <li>2. Clean the air vents</li> <li>3. Turn the speed adjusting dial to the largest number</li> </ol>
3. Unsatisfactory result	<ol style="list-style-type: none"> <li>1. The accessory is worn</li> <li>2. The accessory not suitable for intended</li> </ol>	<ol style="list-style-type: none"> <li>1. Replace with a new one</li> <li>2. Use suitable accessory</li> </ol>

In more detail...

## Troubleshooting

Problem	Possible cause	Solution
4. Product suddenly stops	<ol style="list-style-type: none"> <li>1. Product overloaded</li> <li>2. Battery pack discharged</li> <li>3. Battery too hot</li> </ol>	<ol style="list-style-type: none"> <li>1. Remove the product from the workpiece and switch it on again</li> <li>2. Remove and charge battery pack</li> <li>3. Remove battery pack and let it cool down</li> </ol>
5. The charging indicator lights are still off after connecting the charger to the power supply.	<ol style="list-style-type: none"> <li>1. The charger is not well connected to the suitable power supply.</li> <li>2. The charger or its cable is damaged.</li> </ol>	<ol style="list-style-type: none"> <li>1. Make sure the power supply voltage is same as the charger rating label, and correctly connected.</li> <li>2. Replace with new one.</li> </ol>
6. The battery not charging.	<ol style="list-style-type: none"> <li>1. The battery pack is hot or ambient temperature is very cold or hot.</li> <li>2. The battery is not in position or damaged.</li> </ol>	<ol style="list-style-type: none"> <li>1. Cool down the battery pack, and recharge at room temperature.</li> <li>2. Re-insert battery fully in position, if still not charging, replace it.</li> </ol>

In more detail...

## Recycling and disposal



Waste electrical products should not be disposed of with household waste. Please recycle where facilities exist.

Check with your Local Authority or local store for recycling advice.



For further information visit [www.recycle-more.co.uk](http://www.recycle-more.co.uk).

## Disposal of an exhausted battery pack



The battery is Li-Ion type.

To preserve natural resources, please recycle or dispose of the battery pack properly. Consult your local waste authority for information regarding available recycling and/or disposal options. Discharge your battery pack by operating your tool, then remove the battery pack from the tool and cover the battery pack connections with heavy duty adhesive tape to prevent short circuit and energy discharge.

Do not attempt to open or remove any of the components.



## Guarantee

We take special care to select high quality materials and use manufacturing techniques that allow us to create products incorporating design and durability. This product - TITAN 12V Cordless rotary tool has a manufacturer's guarantee of 2 years against manufacturing defects, from the date of purchase (if bought in store) or date of delivery (if bought online), at no additional cost.

To make a claim under this guarantee, you must present your proof of purchase (such as a sales receipt, purchase invoice or other evidence admissible under applicable law), please keep your proof of purchase in a safe place. For this guarantee to apply, the product you purchased must be new, it will not apply to second hand or display products. Unless stated otherwise by applicable law, any replacement product issued under this guarantee will only be guaranteed until expiry of the original guarantee period.

This guarantee covers product failures and malfunctions provided the product was used for the purpose for which it is intended and subject to installation, cleaning, care and maintenance in accordance with the information contained in these terms and conditions, in the user manual and standard practice, provided that standard practice does not conflict with the user manual.

This guarantee does not cover defects and damage caused by normal wear and tear or damage that could be the result of improper use, faulty installation or assembly, neglect, accident, misuse, or modification of the product. Unless stated otherwise by applicable law, this guarantee will not cover, in any case, ancillary costs (shipping, movement, costs of uninstalling and reinstalling, labour etc), or direct and indirect damage.

This guarantee does not cover defects and damage caused by or resulting from:

- Normal wear and tear
- Overload, misuse or neglect
- Repairs attempted by anyone other than an authorised agent
- Cosmetic damage
- Damage caused by foreign objects, substances or accidents
- Accidental damage or modification
- Failure to follow manufacturer's guidelines
- Loss of use of the goods

If the product is defective, we will, within a reasonable time, repair or replace it.

Rights under this guarantee are enforceable in the country in which you purchased this product. Guarantee related queries should be addressed to the store you purchased this product from.

The guarantee is in addition to and does not affect your statutory rights.

In more detail...


**(UK) DECLARATION OF CONFORMITY**

Product

- Cordless Rotary Tool
- TTG953MLT
- Serial number: from 000001 to 999999

Name and address of the manufacturer or his authorised representative:

Kingfisher International Products Limited  
1 Paddington Square  
London W21GG  
United Kingdom

This declaration of conformity is issued under the sole responsibility of the manufacturer.

Object of the declaration

Product

Model

Cordless Rotary Tool

TTG953MLT

The object of the declaration described above is in conformity with the relevant legislation:

Supply of Machinery (Safety) Regulations 2008 as amended  
Electromagnetic Compatibility Regulations 2016 as amended  
The Restriction of the use of Certain Hazardous Substances in Electrical and Electronic Equipment Regulations 2012 as amended

References to the relevant designated standards used or references to the other technical specifications in relation to which conformity is declared:

BS EN 62841-1:2015+AC:2015+A11:2022  
BS EN 60745-2-23:2013  
EN IEC 55014-1:2021  
EN IEC 55014-2:2021

Authorised signatory and technical file holder:

Kingfisher International Products Limited  
1 Paddington Square  
London W2 1GG  
United Kingdom



David Awe  
Group Quality Director

On:30/05/2023

In more detail...



**(EN) EU DECLARATION OF CONFORMITY**  
**(FR) DÉCLARATION UE DE CONFORMITÉ**  
**(PL) DEKLARACJA ZGODNOŚCI UE**  
**(RO) DECLARAȚIA DE CONFORMITATE UE**  
**(ES) DECLARACIÓN UE DE CONFORMIDAD**  
**(PT) DECLARAÇÃO DE CONFORMIDADE UE**


Product/ Produit/Produkt/Produsul/Producto/Produto	
<ul style="list-style-type: none"><li>• 12V Cordless rotary tool / Petit outil rotatif 12V / Małych narzędzi wysokoobrotowych 12V / Mică unealtă rotativă 12V / Herramienta rotativa pequeña a batería 12V/ Ferramenta pequena rotativa a bateria 12V</li><li>• TTG953MLT</li><li>• SN: 000001-999999</li></ul>	
Name and address of the manufacturer or his authorised representative: Nom et adresse du fabricant ou de son mandataire: Nazwa i adres producenta lub jego upoważnionego przedstawiciela: Denumirea și adresa producătorului sau a reprezentantului său autorizat: Nombre y dirección del fabricante o de su representante autorizado: Nome e endereço do fabricante ou do respetivo mandatário:	
Kingfisher International Products B.V., Rapenburgerstraat 175E, 1011 VM Amsterdam, The Netherlands	
This declaration of conformity is issued under the sole responsibility of the manufacturer. La présente déclaration de conformité est établie sous la seule responsabilité du fabricant. Niniejsza deklaracja zgodności wydana zostaje na wyłączną odpowiedzialność producenta. Prezenta declarație de conformitate este emisă pe răspunderea exclusivă a producătorului. La presente declaración de conformidad se expide bajo la exclusiva responsabilidad del fabricante. A presente declaração de conformidade é emitida sob a exclusiva responsabilidade do fabricante.	
Object of the declaration/Objet de la declaration/Przedmiot deklaracji/Obiectul declarației/ Objeto de la declaración/Objeto da declaração	
Product/Produit/Produkt/Produsul/Producto / Produto	Model/Modèle/Model/Modelul/Modelo/ Modelo
12V Cordless rotary tool / Petit outil rotatif 12V / Małych narzędzi wysokoobrotowych 12V / Mică unealtă rotativă 12V / Herramienta rotativa pequeña a batería 12V/ Ferramenta pequena rotativa a bateria 12V	TTG953MLT
The object of the declaration described above is in conformity with the relevant Union harmonisation legislation: L'objet de la déclaration décrit ci-dessus est conforme à la législation d'harmonisation de l'Union applicable: Wymieniony powyżej przedmiot niniejszej deklaracji jest zgodny z odpowiednimi wymaganiami unijnego prawodawstwa harmonizacyjnego: Obiectul declarației descris mai sus este în conformitate cu legislația relevantă de armonizare a Uniunii: El objeto de la declaración descrita anteriormente es conforme con la legislación de armonización pertinente de la Unión: O objeto da declaração acima descrito está em conformidade com a legislação de harmonização da União aplicável:	



2006/42/EC as amended Machinery Directive  
2014/35/EU Directive Electrical Safety: Low-voltage electrical equipment  
2014/30/EU as amended Directive Electromagnetic compatibility  
2011/65/EU as amended Directive Restriction of the use of certain hazardous substances in electrical and electronic equipment Directive  
Directive 2006/42/CE relative aux machines  
2014/35/UE Directive Sécurité électrique: matériel électrique à basse tension  
2014/30 / UE telle que modifiée Directive Compatibilité électromagnétique Directive  
Directive 2011/65/UE relative à la limitation de l'utilisation de certaines substances dangereuses dans les équipements électriques et électroniques  
2006/42/WE w zmienionej dyrektywie maszynowej  
2014/35/UE Dyrektywa Bezpieczeństwo elektryczne: sprzęt elektryczny niskiego napięcia  
2014/30 / UE ze zmianami Dyrektywa Kompatybilność elektromagnetyczna  
2011/65 / UE ze zmianami Dyrektywa Ograniczenie stosowania niektórych niebezpiecznych substancji w sprzęcie elektrycznym i elektronicznym  
2006/42/CE astfel a fost modificată Directiva privind echipamentele Directiva  
2014/35/UE siguranța electrică: echipamente electrice de joasă tensiune  
2014/30/UE astfel a fost modificată Directiva privind compatibilitatea electromagnetică  
2011/65/UE astfel a fost modificată Directiva privind limitarea utilizării anumitor substanțe periculoase în echipamentele electrice și electronice  
2006/42/CE Directiva de Máquinas  
2014/35/UE Directiva Seguridad Eléctrica: Equipos eléctricos de baja tensión  
2014/30/UE Directiva Compatibilidad electromagnética  
2011/65/UE Directiva Restricción del uso de determinadas sustancias peligrosas en equipos eléctricos y electrónicos  
2006/42/CE Directiva de Máquinas  
2014/35/UE Directiva Segurança Elétrica: Equipamento elétrico de baixa tensão  
2014/30/UE Directiva Compatibilidade eletromagnética  
2011/65/UE Directiva Restrição do uso de determinadas substâncias perigosas em equipamentos elétricos e eletrônicos

References to the relevant harmonised standards used or references to the other technical specifications in relation to which conformity is declared:  
Références des normes harmonisées pertinentes appliquées, y compris la date de celles-ci, ou des autres spécifications techniques, y compris la date de celles-ci, par rapport auxquelles la conformité est déclarée:  
Odwołania do odnośnych norm zharmonizowanych, które zastosowano, wraz z datą normy, lub do innych specyfikacji technicznych, wraz z datą specyfikacji, w odniesieniu do których deklarowana jest zgodność:  
Trimiteri la standardele armonizate relevante folosite, inclusiv data standardului, sau trimiteri la celelalte specificații tehnice, inclusiv data specificațiilor, în legătură cu care se declară conformitatea:  
Referencias a las normas armonizadas pertinentes utilizadas, incluidas las fechas de las normas, o referencias a las otras especificaciones técnicas, incluidas las fechas de las especificaciones, respecto a las cuales se declara la conformidad:  
Referências às normas harmonizadas aplicáveis utilizadas, incluindo a data da norma, ou às outras especificações técnicas, incluindo a data da especificação, em relação às quais é declarada a conformidade:



<p>Rotary tool / Petit outil rotatif / Małych narzędzi wysokooobrotowych / Mică unealtă rotativă / Herramienta rotativa pequeña / Ferramenta pequena rotativa TTG953MLT: EN 62841-1:2015+AC:2015 +A11:2022 EN 60745-2-23:2013 EN IEC55014-1:2021 EN IEC55014-2:2021</p>	<p>Charger/Chargeur/Ladovarka/Încărcătorul/Cargador/Carregador TTB902CHR : EN 60335-1:2012+A11:2014+A13:2017+A1:2019+A2:2019+A14:2019 +A15:2021 EN IEC 60335-2-29 :2021 + A1: 2021 EN 62233:2008 EN IEC 55014-1:2021 EN IEC 55014-2:2021 EN IEC 61000-3-2:2019+A1:2021 EN 61000-3-3:2013+A1:2019</p>
<p>Authorised signatory and technical file holder/signataire et responsable de la documentation technique autorisé/ podmiot uprawniony do wystawienia i adres przechowiwania dokumentacji technicznej/semnatar autorizat și deținător al dosarului tehnic/firmante autorizado y titular del expediente tecnico/ signatário autorizado e detentor da ficha técnica:</p> <p>Kingfisher International Products B.V., Rapenburgerstraat 175E, 1011 VM Amsterdam, The Netherlands</p>  <p>David Awe Group Quality Director</p> <p style="text-align: right;">11/08/2023</p>	





# TITAN

**Manufacturer • Fabricant • Producător • Producător • Fabricante:**

**UK Manufacturer:**

Kingfisher International Products Limited,  
1 Paddington Square, London, W2 1GG  
United Kingdom

**[www.kingfisher.com/products](http://www.kingfisher.com/products)**

**EU Manufacturer:**

Kingfisher International Products B.V.  
Rapenburgerstraat 175E  
1011 VM Amsterdam  
The Netherlands

**[www.diy.com](http://www.diy.com) | [www.screwfix.com](http://www.screwfix.com) | [www.screwfix.ie](http://www.screwfix.ie)**

To view instruction manuals online, visit

**[www.kingfisher.com/products](http://www.kingfisher.com/products)**