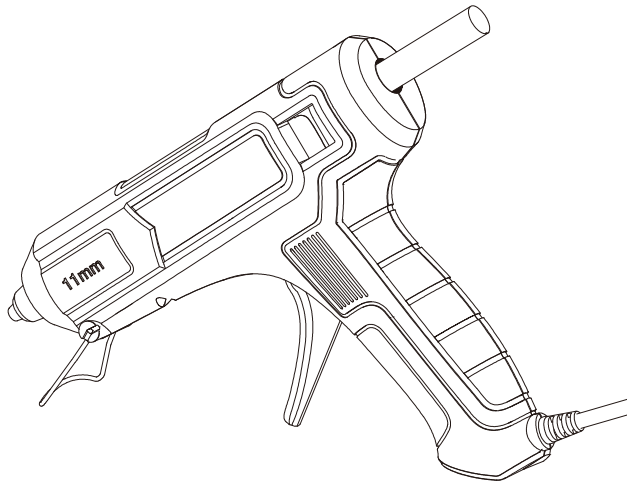




EN

TITAN

25W Glue Gun



TTB956GLG
5063022074232

CAUTION: Read the instructions before using the product.



BX220IM

Let's get started...

These instructions are for your safety. Please read through them thoroughly prior to handling the product and retain them for future reference.



Getting **started...** 02

Safety information	03
Your product	08
Technical specifications	08
Before you start	09



In more **detail...** 11

Product functions & settings	12
Operation	13
Care and maintenance	15
Troubleshooting	18
Recycling and disposal	18
Guarantee	19
Declaration of conformity	20

General safety warnings

General power tool safety warnings

- a) This appliance can be used by children aged from 8 years and above and persons with reduced physical, sensory or mental capabilities or lack of experience and knowledge if they have been given supervision or instruction concerning use of the appliance in a safe way and understand the hazards involved.
- b) Children shall not play with the appliance.
- c) Cleaning and user maintenance shall not be made by children without supervision. Keep the appliance and its cord out of reach of children aged less than 8 years.
- d) **WARNING!** If the power cord is damaged, it must be replaced by the manufacturer, its service agent or similarly qualified persons in order to avoid a safety hazard.
- e) Familiarise yourself with the operation, adjustments and functions. Follow the safety and operation instructions in order to avoid possible risks and hazards.
- f) Contact a qualified person or your dealer if you have questions after reading the instruction manual.
- g) Store the instruction manual so that it is accessible for all users. Also relay it when giving the product to others.
- h) Do not attempt to modify the product in any way. Only use attachments and accessories recommended by the manufacturer.
- i) Use the product only in accordance with this instruction manual. Misuse and incorrect handling will lead to hazards for people and property.
- j) Do not use the product if damage is visible. Check the power cord, plug, and housing before each use. Faulty products must be repaired or properly disposed of.

General safety warnings

- k) Disconnect the product from the power supply immediately if the cord or the product is damaged or if a breakdown occurs.
- l) Have the product repaired only by a qualified specialist. Improper repairs can lead to electric shocks or other accidents.
- m) Pull the plug rather than the power cord to disconnect the product from the power supply.
- n) Do not let the power cord hang over edges, do not squeeze or bend it.
- o) Use extensions cords that correspond with the technical requirements of this product if using an extension cord.

Glue gun safety warnings

- a) Place the glue gun on a stable, level surface by using its stand holder (6) when not in use.
- b) A fire can occur if the tool is not handled with care.
 - Be careful when using the tool near flammable materials.
 - Do not aim at the same spot for a long time.
 - Do not use in the presence of an explosive atmosphere.
 - Heat can be directed to flammable materials that are concealed.
 - After use, place on the stand and allow to cool before packing away.
 - Do not leave the tool unattended while it is in operation.
- c) The adhesive can produce harmful fumes when the glue stick is heated.
 - Do not inhale fumes generated during bonding. Ensure adequate ventilation during use. If adequate ventilation is not provided, respiratory protection should be worn.

- Thoroughly clean clothing that comes into contact with adhesive.
- d) Use only glue sticks with suitable dimensions (approx. Ø11 mm x 100 mm).
- e) Keep fingers away from the metal nozzle, it becomes very hot during use. Wear gloves to protect the hands.
- f) Always keep nozzle away from the power cord.
- g) Do not touch the nozzle to any surface while running or shortly after running.
- h) Maintain labels and nameplates. These carry important information.
- i) Place the power cord in a position that won't cause the glue gun to tip over.
- j) Do not abuse the cord. Never use the cord for carrying, pulling or unplugging the tool. Keep cord away from heat. Damaged or entangled cords increase the risk of electric shock. Do not wrap the cord on the tool body.
- k) Do not expose tools to rain or wet conditions. Water entering a tool will increase the risk of electric shock.
- l) Have your tool serviced by a qualified repair person using only identical replacement parts. This will ensure that the safety of the tool is maintained.
- m) Remove the plug from the mains and allow the hot glue gun to cool down for at least 30 minutes before carrying out maintenance or cleaning work.
- n) Inspect and maintain the product regularly. Have the product repaired only by an authorized repairer.
- o) When not in use, store the product out of the reach of children. Tools are dangerous in the hands of untrained users.
- p) Store the product in a location where the ambient temperature is between 0°C and 40°C.

General safety warnings

- q) Do not allow the hot glue or the nozzle to come into contact with people or animals. Their temperature can reach up to 230 °C. If in contact, immediately rinse the affected area under cold running water. Do not attempt to remove the glue from the skin. Please consult a doctor for medical care.

Emergency

Familiarise yourself with the use of this product by means of this instruction manual. Memorise the safety directions and follow them to the letter. This will help to prevent risks and hazards.














- a) **Always be alert when using this product, so that you can recognise and handle risks early.** *Fast intervention can prevent serious injury and damage to property.*
- b) **Disconnect the product from the power supply if there are malfunctions.** *Have the product checked by a qualified professional and repaired, if necessary, before you operate it again.*



WARNING! This product produces an electromagnetic field during operation! This field may under some circumstances interfere with active or passive medical implants! To reduce the risk of serious or fatal injury, we recommend persons with medical implants to consult their doctor and the medical implant manufacturer before operating this product!

Symbols

On the product, the rating label and within these instructions you will find among others the following symbols and abbreviations. Familiarise yourself with them to reduce hazards like personal injuries and damage to property.

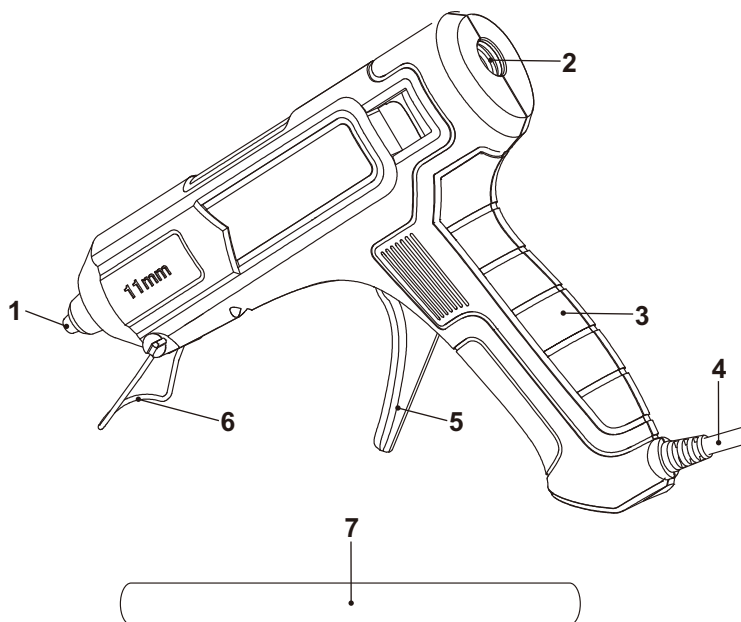
V ~	Volt, (alternating voltage)	Hz	Hertz
min	Minute	W	Watt
g	Gram	°C	Degree Celsius
mm	Millimetre		
	Note / Remark.		Read the instruction manual
	Caution / Warning.		
IPX0	Protection against ingress of the solid foreign objects having a diameter of 12.5 mm and greater.		
yyWxx	Manufacturing date code; year of manufacturing (20yy) and week of manufacturing (Wxx)		
	Wear eye protection.		Wear a dust mask.
	Wear protective gloves.		Hot surface. Risk of scalding.
	This product is of protection class II. That means it is equipped with enhanced or double insulation.		
	Only use the product indoors.		
	Disconnect the product from the power supply before assembly, cleaning, adjustments, maintenance, storage and transportation.		
	WEEE symbol. Waste electrical products should not be disposed of with household waste. Please recycle where facilities exist. Check with your Local Authority or local store for recycling advice.		
	The product complies with the applicable European directives and an evaluation method of conformity for these directives was done.		
	UK Conformity Assessed.		

Rating label explanation

TTB956GLG = Model Number

TT = TITAN (brand)
 B = Voltage (230-240 V ~)
 956 = Sequential Code
 GLG = Glue Gun

Product description



- | | |
|-------------------------|------------------------------------|
| 1. Nozzle | 5. Trigger |
| 2. Feeding channel | 6. Stand holder |
| 3. Main grip | 7. Glue stick (Ø11 x 100 mm) (x12) |
| 4. Power cord with plug | |

Technical specifications

General

- | | |
|----------------------------|-------------------------------|
| > Rated voltage, frequency | : 230-240 V~, 50 Hz |
| > Rated power input | : 25 W |
| > Heating time | : 5 min |
| > Temperature | : 230 °C |
| > Protection class | : II <input type="checkbox"/> |
| > Degree of protection | : IPX0 |
| > Weight | : approx. 295 g |
| > Dimensions | : approx. 180*142*41 mm |

Glue stick

- | | |
|------------|-----------|
| > Diameter | : Ø 11 mm |
| > Length | : 100 mm |

Unpacking

1. Unpack all parts and lay them on a flat, stable surface.
2. Remove all packing materials and shipping devices if applicable.
3. Make sure the delivery contents are complete and free of any damage. If you find that parts are missing or show damage do not use the product but contact your dealer. Using an incomplete or damaged product represents a hazard to people and property.
4. Ensure that you have all the accessories and tools needed for assembly and operation. This also includes suitable personal protective equipment.



WARNING! The product and the packaging are not children's toys! Children must not play with plastic bags, sheets and small parts! There is a danger of choking and suffocation!

You will need

(items not supplied)

Suitable personal protective equipment
Heat proof tray to sit the product on to protect the work surface

(items supplied)

Glue stick (x 12 pcs) (7)



NOTE: The accessories required depend on the intended application. Ask your dealer for advice.

Setup



WARNING! Before using the product, familiarise yourself with the operating features read the entire instruction manual paying particular attention to the safety rules and operating procedures.

Stand holder

1. Unfold and swivel the stand holder (6) forward until it stops (Fig. 1).
2. Place the glue gun on a stable, level surface by using its stand holder (6) as shown in Fig. 2 when not in use.

Stand holder

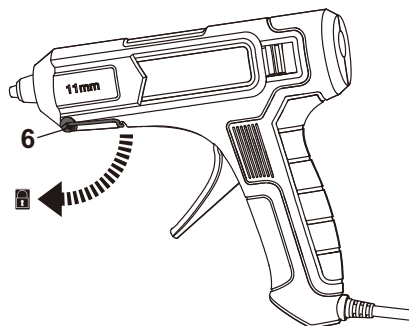


Fig. 1

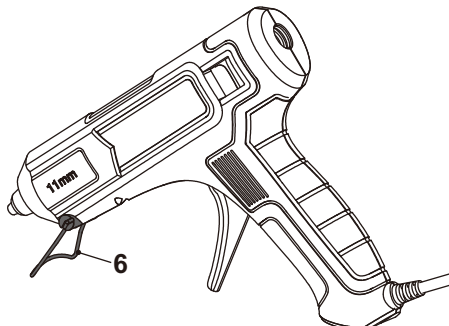


Fig. 2

Glue stick



WARNING! Always use the correct glue stick according to the intended use!

Observe the technical requirements of this product (see section Technical specifications and the marking on the front housing when purchasing and using the glue stick (7)!

Insert the glue stick

1. Check the size of glue stick (7) is between 10.8-11.5 mm in diameter.
2. Align and insert the glue stick (7) into the feeding channel (2) until it stops (Fig. 3).

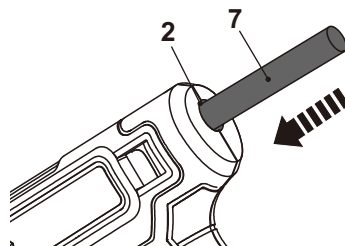


Fig. 3



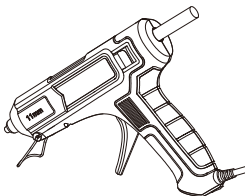
WARNING! Do not try to remove the used glue stick (7) from the feeding channel (2). Once used, a glue stick (7) must be used up completely.



In more detail...

Product functions & settings	12
Operation	13
Care and maintenance	15
Troubleshooting	18
Recycling and disposal	18
Guarantee	19
Declaration of conformity	20

In more detail...



Intended use

This electric glue gun is designated with a rated input of 25 Watts.

The glue gun is exclusively designed for processing hot glue for bonding materials such as paper, wood, cardboard, plastic, leather, ceramics, glass, fabric, etc.

Use the hot glue gun only as described in this manual. Any other use is considered not to be intended and may lead to property damage or even personal injury. The hot glue gun is not a child's toy.

The manufacturer or dealer accepts no liability for damages caused by improper use or misuse.

For safety reasons it is essential to read the entire instruction manual before first operation and to observe all the instructions therein.

This product is intended for private domestic use only, not for any commercial trade use.

Automatic power on

The hot glue gun will automatically turn on when connected to the power supply. Pre-heat the hot glue gun for 3-5 minutes to reach the melting temperature.



WARNING! Risking of scalding. The nozzle (1) and melt adhesive are very hot. Do not touch them.



Wear protective gloves.



Trigger

1. Pull the trigger (5) to start the glue flowing (Fig. 4).
2. Release the trigger (5) to stop the flow of the glue.

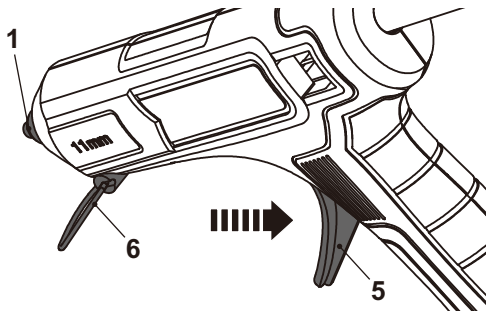


Fig. 4

General operation

1. Check the product, its power cord and plug as well as accessories for damage before each use. Do not use the product if it is damaged or shows wear. Take care of any problem you find or have the product checked by qualified specialist.
2. Double check that the accessories are properly fixed.
3. Always hold the product on the main grip (3). Keep the handle dry to ensure safe operation.
4. Ensure that the air vents are always unobstructed and clear. Clean them if necessary with a soft brush. Blocked air vents may lead to overheating and damage the product.
5. Disconnect the product from the power supply immediately if you are disturbed while working by other people entering the working area. Always place the glue gun on a stable, level surface by using its stand holder (6) when not in use.
6. Do not overwork yourself. Take regular breaks to ensure you can concentrate on the work and have full control over the product.

General



WARNING!

During operation harmful fumes will be generated!



Do not inhale fumes during operation, always wear a dust mask to protect yourself against hazards resulting from harmful fumes!

Hot surface. Risk of scalding!



The nozzle (1) and melt adhesive are very hot. Always wear protective gloves when using the product. Improper handling could lead to injury.



Preparation of the adhesive areas

1. Adhesive areas must be clean, dry and grease-free.
2. Rough smooth surfaces before gluing.
3. Slightly heat steel and other fast cooling material to obtain better adhesive adhesion.
4. Do not use flammable solvents to clean the adhesive areas.
5. The ambient temperature and the temperature of the material to be bonded shall not be lower than 10°C and not higher than 40°C

In more detail...

Glue operation

1. Choose a suitable, non-flammable working surface for the use of the hot glue gun.
2. Slide a glue stick (7) in the feed channel (2) until it stops.
3. Connect the plug of the power cord with a suitable power socket.



WARNING! Check the voltage! The voltage must comply with the information on the rating label!

4. The hot glue gun will automatically turn on when connected to the power supply.



NOTE: The adhesive will soon harden. It is important to quickly bond materials together. Press them together for approximately 30 seconds. After about 5 minutes, the bonding area becomes elastic. Please note that this information depends on temperature and material.

5. Fold the stand holder (6) up if not required.
6. Always hold the main grip (3) and point the nozzle (1) of the glue gun on the surface to be processed and apply the glue by keeping the trigger (5) pressed evenly. Repeat this step as needed. If it becomes hard to squeeze more glue out, just wait 15 seconds for the new section of glue to melt in the feeding channel (2) (Fig. 5).

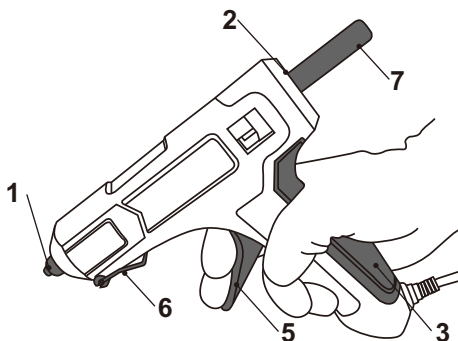


Fig. 5



NOTE: When the glue stick is worn out so that it cannot be pushed further into the nozzle (1) with the trigger (5), insert a new glue stick with the same type behind it, the new glue stick will push the used one further forward by pressing the trigger (5). Do not try to remove the used glue stick from the feeding channel (2). Once used, a glue stick (7) must be used up completely.

7. If you need to put the glue gun down, always ensure you unfold the stand holder (6) and place it on a level heat proof surface.
8. Put a heat proof tray (not supplied) under the nozzle to collect glue drops.

After use

1. Disconnect the glue gun from the power supply and place the glue gun on a stable, level surface by using its stand holder (6) when not in use.



WARNING! Hot surface. Risk of scalding!

Keep the power cord or any flammable material away from the nozzle (1).



2. Allow the hot glue gun to cool down for at least 30 minutes.
3. Check, clean and store the product as described below.

The golden rules for care



WARNING! Always disconnect the product from the power supply and let the product cool down before performing inspection, maintenance and cleaning work!



1. Keep the product clean. Remove debris from it after each use and before storage.
2. Regular and proper cleaning will help ensure safe use and prolong the life of the product.
3. Inspect the product before each use for worn and damaged parts. Do not operate it if you find broken and worn parts.



WARNING! Only perform repairs and maintenance work according to these instructions! All further works must be performed by a qualified specialist!

General cleaning

1. Clean the product with a damp cloth and pH-neutral soap. Use a brush for areas that are hard to reach.
2. In particular clean the air vents after every use with a cloth and brush.
3. Remove stubborn dust with high pressure air (max. 3 bar).

In more detail...

General cleaning



NOTE: Do not use chemical, alkaline, abrasive or other aggressive detergents or disinfectants to clean this product as they might be harmful to its surfaces.

4. Check for any damage and wear. Repair damages in accordance with this instruction manual or take it to an authorised service centre before using the product again.

Power cord

If the power cord is damaged, it must be replaced by the manufacturer, its service agent or similarly qualified persons in order to avoid a safety hazard.

UK plug (for UK only)

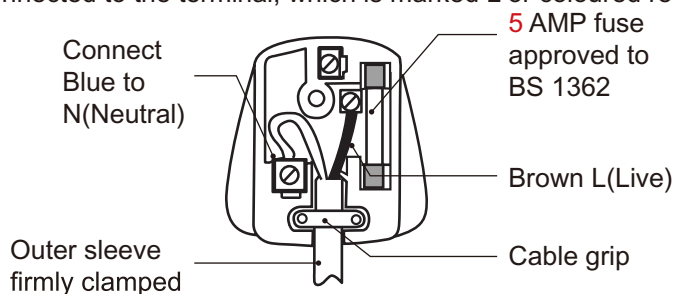
If you need to replace the fitted plug, then follow the instructions below.

IMPORTANT: The wires in the mains lead are coloured in accordance with the following code:

Blue – Neutral

Brown – Live

As the colours of the wire in the mains lead of this product may not correspond with the coloured marking identifying the terminals in your plug, proceed as follows. The wire, which is coloured blue, must be connected to the terminal, which is marked with N or coloured black. The wire, which is coloured brown, must be connected to the terminal, which is marked L or coloured red.



WARNING! Never connect live or neutral wires to the earth terminal of the plug, which is marked with E.

Only fit an approved 13 Amp BS 1363 or BS 1363/A plug and correctly rated 5 Amp BS 1362 fuse. If in doubt, consult a qualified electrician.



NOTE: If a moulded plug is fitted and has to be removed take great care in disposing of the plug and severed cable, it must be destroyed to prevent engaging into a socket.

Maintenance

Before and after each use, check the product and accessories for wear and damage. If required, exchange them for new ones as described in this instruction manual. Observe the technical requirements.

Repair

This product does not contain any parts that can be repaired by the consumer. Contact an authorised service centre or a similarly qualified person to have it checked and repaired.

Storage

1. Disconnect the product from the power supply and let it cool down.
2. Clean the product as described above.
3. Store the product and its accessories in a dark, dry, frost-free, well-ventilated place.
4. Fold the stand holder (6).
5. Always store the product in a place that is inaccessible to children. The ideal storage temperature is between 10 °C and 40 °C.
6. We recommend using the original package for storage or covering the product with a suitable cloth or enclosure to protect it against dust.

Transportation

1. Disconnect the product from the power supply and let it cool down.
2. Attach transportation guards, if applicable.
3. Always carry the product by its main grip (3).
4. Protect the product from any heavy impact or strong vibrations which may occur during transportation in vehicles.
5. Secure the product to prevent it from slipping or falling over.

Troubleshooting

Suspected malfunctions are often due to causes that the users can fix themselves. Therefore check the product using this section. In most cases the problem can be solved quickly.



WARNING! Only perform the steps described within these instructions! All further inspection, maintenance and repair work must be performed by an authorised service centre or a similarly qualified specialist if you cannot solve the problem yourself!

Problem	Possible cause	Solution
1. Product does not start	1.1. Not connected to power supply 1.2. Power cord or plug is defective 1.3. Other electrical defect to the product	1.1. Connect to power supply 1.2. Have the product checked by a qualified person 1.3. Have the product checked by a qualified person
2. Product does not reach full power	2.1. Extension cord is not suitable for operation with this product 2.2. Power source (e. g. generator) has too low voltage	2.1. Use a proper extension cord 2.2. Connect to another power source
3. Unsatisfactory working result	3.1. Adhesive areas are not pre-treated 3.2. Glue stick is not suitable for workpiece material	3.1. Clean and rough the adhesive areas 3.2. Use glue stick that is suitable for the surface being glued

Recycling and disposal



Waste electrical products should not be disposed of with household waste. Please recycle where facilities exist. Check with your Local Authority or local store for recycling advice.

For further information visit www.recycle-more.co.uk.

The product comes in a package that protects it against damage during shipping. Keep the package until you are sure that all parts have been delivered and the product is working properly. Recycle the package afterwards.

Guarantee

We take special care to select high quality materials and use manufacturing techniques that allow us to create products incorporating design and durability. This product (**TITAN** 25W Glue Gun) has a manufacturer's guarantee of 2 years against manufacturing defects, from the date of purchase (if bought in store) or date of delivery (if bought online), at no additional cost for normal (non-professional or commercial) household use.

To make a claim under this guarantee, you must present your proof of purchase (such as a sales receipt, purchase invoice or other evidence admissible under applicable law), please keep your proof of purchase in a safe place. For this guarantee to apply, the product you purchased must be new, it will not apply to second hand or display products. Unless stated otherwise by applicable law, any replacement product issued under this guarantee will only be guaranteed until expiry of the original guarantee period.

This guarantee covers product failures and malfunctions provided the product was used for the purpose for which it is intended and subject to installation, cleaning, care and maintenance in accordance with the information contained in these terms and conditions, in the user manual and standard practice, provided that standard practice does not conflict with the user manual.

This guarantee does not cover defects and damage caused by normal wear and tear or damage that could be the result of improper use, faulty installation or assembly, neglect, accident, misuse, or modification of the product. Unless stated otherwise by applicable law, this guarantee will not cover, in any case, ancillary costs (shipping, movement, costs of uninstalling and reinstalling, labour etc), or direct and indirect damage.

This guarantee does not cover defects and damage caused by or resulting from:

- Normal wear and tear
- Overload, misuse or neglect
- Repairs attempted by anyone other than an authorised agent
- Cosmetic damage
- Damage caused by foreign objects, substances or accidents
- Accidental damage or modification
- Failure to follow manufacturer's guidelines
- Loss of use of the goods

If the product is defective, we will, within a reasonable time, repair or replace it. Rights under this guarantee are enforceable in the country in which you purchased this product. Guarantee related queries should be addressed to the store you purchased this product from.

The guarantee is in addition to and does not affect your statutory rights.



(EN) EU DECLARATION OF CONFORMITY
 (FR) DÉCLARATION UE DE CONFORMITÉ
 (PL) DEKLARACJA ZGODNOŚCI UE
 (RO) DECLARAȚIA DE CONFORMITATE UE
 (ES) DECLARACIÓN UE DE CONFORMIDAD
 (PT) DECLARAÇÃO DE CONFORMIDADE UE

Product / Produit / Produkt / Produsul / Producto / Produto

- 25W Glue Gun/Pistolet à Colle/Pistolet do Kleju/Pistol de Lipit/Pistola de Pegamento/ Pistola de Cola
- MCB957GLG TTB956GLG
- Serial number: from 000001 to 999999

Name and address of the manufacturer or his authorised representative:

Nom et adresse du fabricant ou de son mandataire:

Nazwa i adres producenta lub jego upoważnionego przedstawiciela:

Denumirea și adresa producătorului sau a reprezentantului său autorizat:

Nombre y dirección del fabricante o de su representante autorizado:

Nome e endereço do fabricante ou do respetivo mandatário:

Kingfisher International Products B.V.,
 Rapenburgerstraat 175E,
 1011 VM Amsterdam,
 The Netherlands

This declaration of conformity is issued under the sole responsibility of the manufacturer.

La présente déclaration de conformité est établie sous la seule responsabilité du fabricant.

Niniejsza deklaracja zgodności wydana zostaje na wyłączną odpowiedzialność producenta.

Prezenta declarație de conformitate este emisă pe răspunderea exclusivă a producătorului.

La presente declaración de conformidad se expide bajo la exclusiva responsabilidad del fabricante.

A presente declaração de conformidade é emitida sob a exclusiva responsabilidade do fabricante.

Objectofthedeclaration / Objet de la declaration / Przedmiotdeklaracji / Obiectuldeclarației / Objeto de la declaración / Objeto da declaração

Product / Produit / Produkt / Produsul / Producto / Produto	Model / Modèle / Model / Modelul / Modelo / Modelo	EAN
25W Glue Gun / Pistolet à Colle / Pistolet do Kleju / Pistol de Lipit / Pistola de Pegamento / Pistola de Cola	MCB957GLG TTB956GLG	5059340701455 5059340701622 5059340701448 5063022074232

The object of the declaration described above is in conformity with the relevant Union harmonisation legislation:

L'objet de la déclaration décrit ci-dessus est conforme à la législation d'harmonisation de l'Union applicable:

Wymieniony powyżej przedmiot niniejszej deklaracji jest zgodny z odpowiednimi wymaganiami unijnego prawodawstwa harmonizacyjnego:

Obiectul declarației descris mai sus este în conformitate cu legislația relevantă de armonizare a Uniunii:

El objeto de la declaración descrita anteriormente es conforme con la legislación de armonización pertinente de la Unión:

O objeto da declaração acima descrito está em conformidade com a legislação de harmonização da União aplicável:

2014/30/EU as amended Directive Electromagnetic compatibility
 2014/35/EU Directive Electrical Safety: Low-voltage electrical equipment
 2011/65/EU as amended Directive Restriction of the use of certain hazardous substances in electrical and electronic equipment
 2014/30 / UE telle que modifiée Directive Compatibilit   electromagn  tique
 2014/35/EU Directive S  curit     lectrique: mat  riel   lectrique    basse tension
 Directive 2011/65/UE relative    la limitation de l'utilisation de certaines substances dangereuses dans les   quipements   lectriques et   lectroniques
 2014/30 / UE ze zmianami Dyrektywa Kompatybilno  c elektromagnetyczna
 2014/35/EU Dyrektywa Bezpiecze  stwo elektryczne: sprz  t elektryczny niskiego napi  cia
 2011/65 / UE ze zmianami Dyrektywa Ograniczenie stosowania niekt  rych niebezpiecznych substancji w sprz  cie elektrycznym i elektronicznym
 2014/30/UE, astfel a fost modificat   Directiva privind compatibilitatea electromagnetic  

Directiva 2014/35/UE siguranța electrică: echipamente electrice de joasă tensiune
 2011/65/UE, astfel a fost modificată Directiva privind limitarea utilizării anumitor substanțe periculoase în echipamentele electrice și electronice
 2014/30/UE modificada Directiva Compatibilidad electromagnética
 2014/35/EU Directiva Seguridad Eléctrica: Equipos eléctricos de baja tensión
 2011/65/UE modificada Directiva Restricción del uso de determinadas sustancias peligrosas en equipos eléctricos y electrónicos
 2014/30/UE como alteração da compatibilidade eletromagnético
 2014/35/Diretiva UE Segurança Elétrica: Equipamento elétrico de baixa tensão
 2011/65/UE como restrição diretiva alterada da utilização de certas substâncias perigosas em equipamentos elétricos e eletrônicos

References to the relevant harmonised standards used or references to the other technical specifications in relation to which conformity is declared:

Références des normes harmonisées pertinentes appliquées, y compris la date de celles-ci, ou des autres spécifications techniques, y compris la date de celles-ci, par rapport auxquelles la conformité est déclarée:

Odwołania do odnoszących norm zharmonizowanych, które zastosowano, wraz z datą normy, lub do innych specyfikacji technicznych, wraz z datą specyfikacji, w odniesieniu do których deklarowana jest zgodność:

Trimiteri la standardele armonizate relevante folosite, inclusiv data standardului, sau trimiteri la celelalte specificații tehnice, inclusiv data specificațiilor, în legătură cu care se declară conformitatea:

Referencias a las normas armonizadas pertinentes utilizadas, incluidas las fechas de las normas, o referencias a las otras especificaciones técnicas, incluidas las fechas de las especificaciones, respecto a las cuales se declara la conformidad:

Referências às normas harmonizadas aplicáveis utilizadas, incluindo a data da norma, ou às outras especificações técnicas, incluindo a data da especificação, em relação às quais é declarada a conformidade:

EN 60335-1:2012+A11:2014+A13:2017+A1:2019 +A2:2019 +A14:2019+A15:2021

EN 60335-2-45: 2002+A1:2008+A2:2012

EN 62233:2008

EN IEC 55014-1:2021

EN IEC 55014-2:2021

EN IEC 61000-3-2:2019+A1:2021

EN IEC 61000-3-3:2013+A1:2019+A2:2021

Authorized Signatory and technical file holder / Signataire et responsable de la documentation technique autorisée / Podmiot uprawniony do wystawienia i adres przechowywania dokumentacji technicznej / Semnatar autorizat și deț inătorul dosarului tehnic / Firmante autorizado y titular del expediente técnico / Signatário autorizado e detentor da ficha técnica:

Kingfisher International Products B.V.,
 Rapenburgerstraat 175E,
 1011 VM Amsterdam,
 The Netherlands



David Awe
 Group Quality Director

On: 15/05/2023

In more detail...



(UK) DECLARATION OF CONFORMITY

Product

- 25W Glue Gun
- TTB956GLG MCB957GLG
- Serial number: from 000001 to 999999

Name and address of the manufacturer or his authorised representative:

Kingfisher International Products Limited
 1 Paddington Square
 London
 W2 1GG
 United Kingdom

This declaration of conformity is issued under the sole responsibility of the manufacturer.

Object of the declaration

Product	Model	EAN
25W Glue Gun	TTB956GLG MCB957GLG	5063022074232 5059340701622

The object of the declaration described above is in conformity with the relevant legislation:

Electrical Equipment (Safety) Regulation 2016 as amended
 Electromagnetic Compatibility Regulations 2016 as amended
 The Restriction of the use of Certain Hazardous Substances in Electrical and Electronic Equipment Regulations 2012 as amended

References to the relevant designated standards used or references to the other technical specifications in relation to which conformity is declared:

- BS EN 60335-1:2012+A11:2014+A13:2017+A1:2019 +A2:2019 +A14:2019+A15:2021
- BS EN 60335-2-45: 2002+A1:2008+A2:2012
- BS EN 62233:2008
- EN IEC 55014-1:2021
- EN IEC 55014-2:2021
- EN IEC 61000-3-2:2019+A1:2021
- EN IEC 61000-3-3:2013+A1:2019+A2:2021

Authorised signatory and technical file holder:

Kingfisher International Products Limited
 1 Paddington Square
 London
 W2 1GG
 United Kingdom

David Awe
 Group Quality Director

On 15/05/2023

In more detail...



TITAN

Manufacturer, Fabricant, Producent, Producător, Fabricante:

UK Manufacturer:

Kingfisher International Products Limited
1 Paddington Square, London, W2 1GG
United Kingdom
www.kingfisher.com/products

EU Manufacturer:

Kingfisher International Products B.V.
Rapenburgerstraat 175E
1011 VM Amsterdam
The Netherlands
www.kingfisher.com/products

- | | | |
|----|--|---|
| EN | www.diy.com | To view instruction manuals online, visit
www.kingfisher.com/products |
| FR | www.castorama.fr | Pour consulter les manuels d'instructions en ligne,
rendez-vous sur le site www.kingfisher.com/products |
| PL | www.castorama.pl | Aby zapoznać się z instrukcją obsługi online, odwiedź
stronę www.kingfisher.com/products |
| RO | www.bricodepot.ro | Pentru a consulta manualele de instrucțiuni online, vizitați
www.kingfisher.com/products |
| TR | www.koctas.com.tr | Kullanım kılavuzuna internet üzerinden ulaşmak için
www.kingfisher.com/products adresini ziyaret edin |