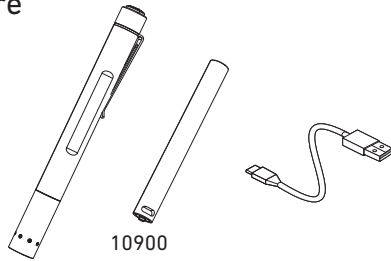
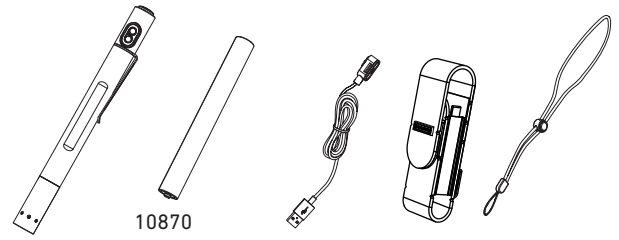


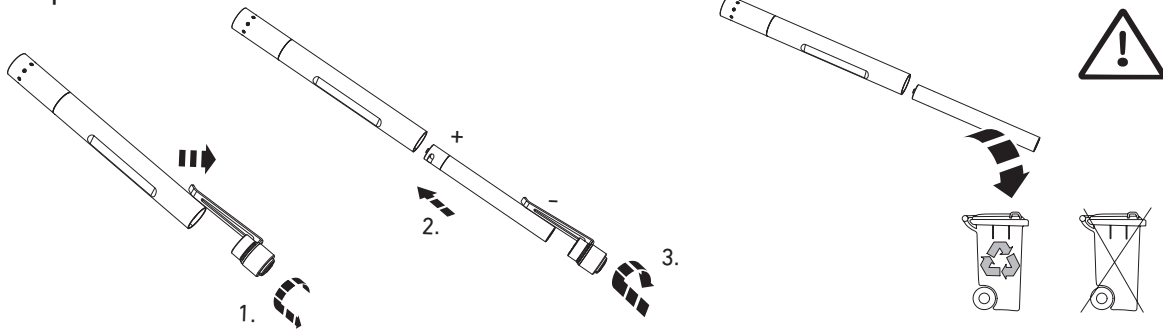
P4R Core



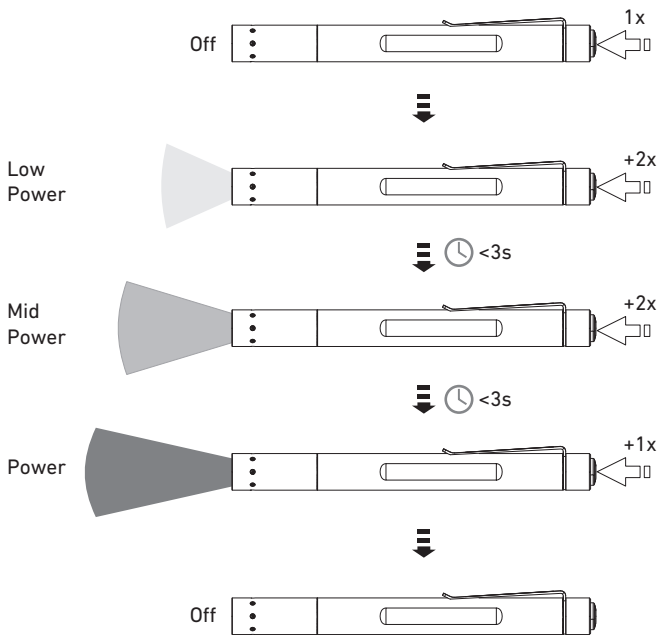
P4R Work



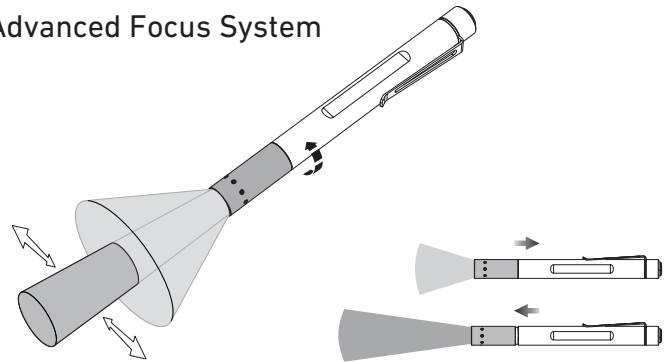
Battery Replacement



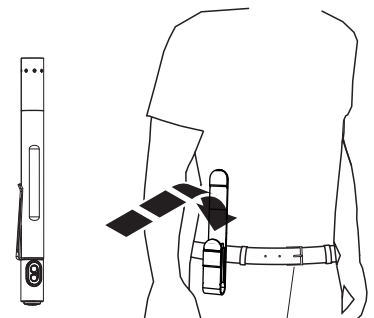
Operation



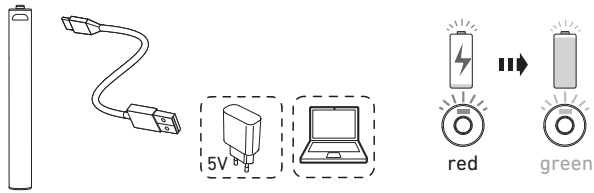
Advanced Focus System



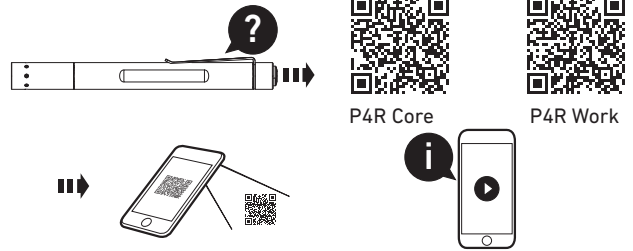
Pouch (P4R Work)



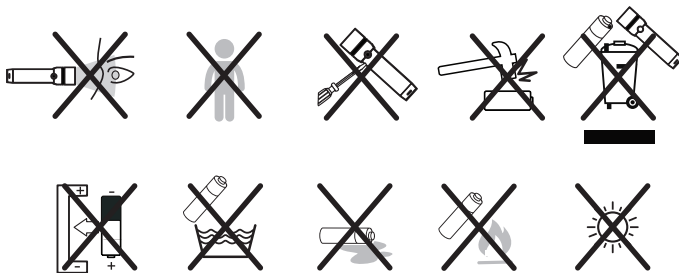
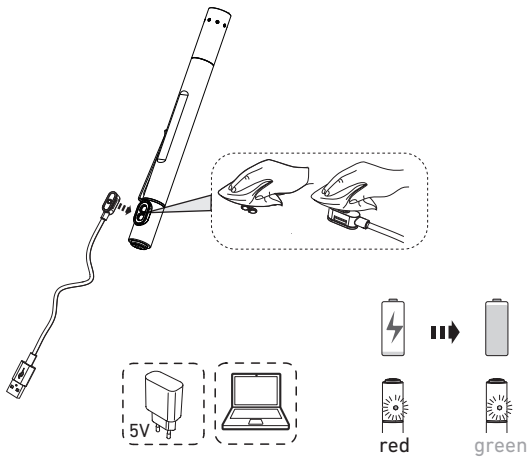
Battery Charging System (P4R Core)



Further Information



Magnetic Charging System (P4R Work)



**Ledlenser GmbH & Co. KG**  
 Kronenstrasse 5-7 • 42699 Solingen • Germany  
 Phone +49 212/5948-0 Fax +49 212/5948-200  
 info@ledlenser.com



ledlenser.com



P4R\_V02  
 2021.07.06  
 1J12A0448