

SP 9.000 Flat
SP 9.500 Dirt
SP 11.000 Dirt

English
العربية

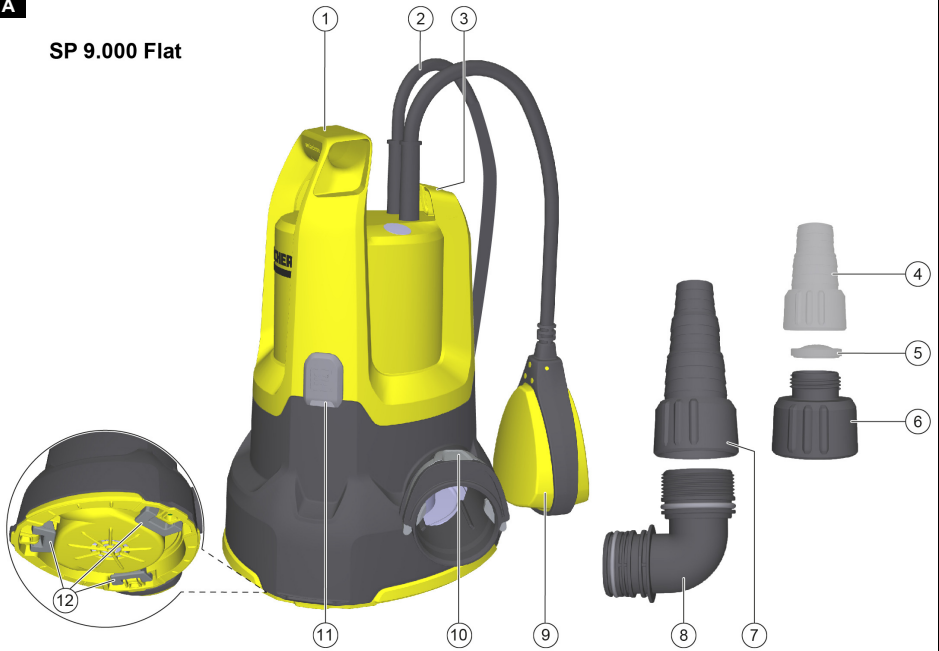
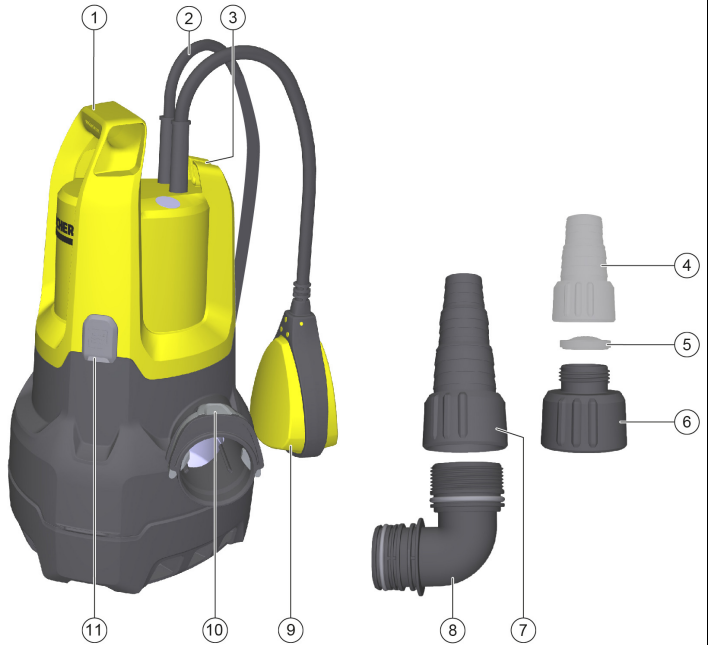
4
10

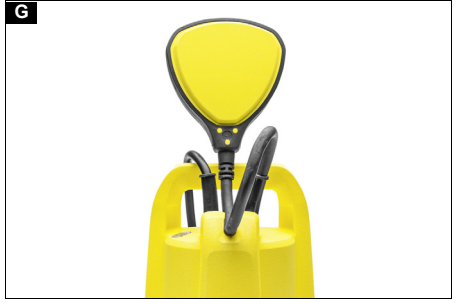
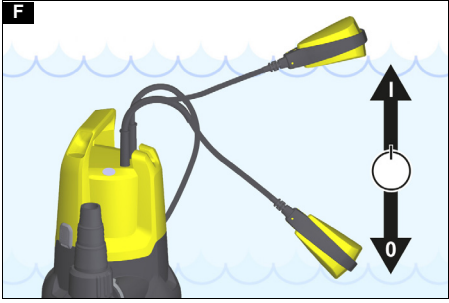
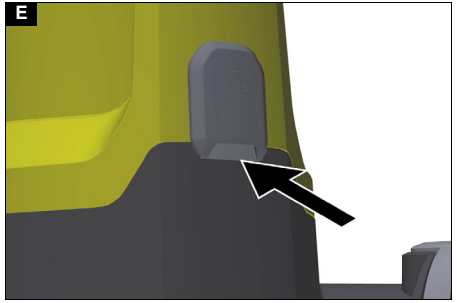
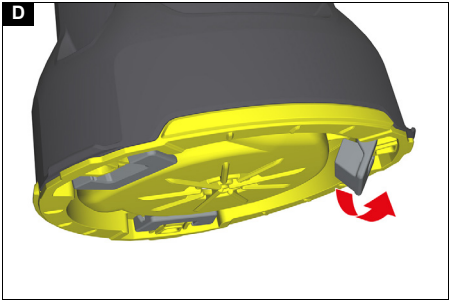
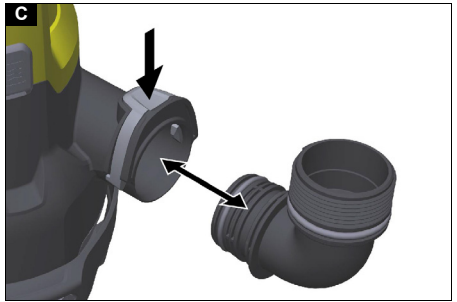
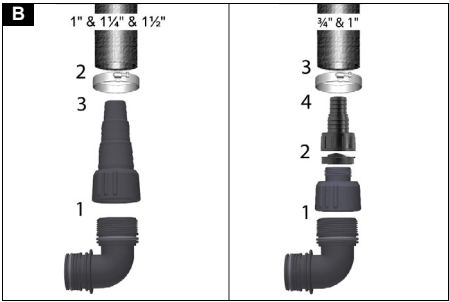


**Register
your product**
www.kaercher.com/welcome



5.991-078.0 (10/22)

A**SP 9.000 Flat****SP 9.500 Dirt
SP 11.000 Dirt**



Contents

Safety instructions	4
Intended use	5
Environmental protection	5
Accessories and spare parts	5
Scope of delivery	5
Warranty	5
Description of the device	5
Initial startup	6
Operation	6
Care and maintenance	7
Transport	7
Storage	7
Troubleshooting guide	7
Technical data	8
Optimising the flow rate	8
Declaration of Conformity	9

Safety instructions



Read this safety chapter and these original instructions before using the device for the first time. Act in accordance with

them. Keep the original instructions for future reference or for future owners.

- In addition to the notes in the operating instructions, you also need to take into consideration the general safety regulations and accident prevention guidelines applicable by law.
- Warnings and information notices attached to the device provide important information for hazard-free operation.

Hazard levels

⚠ DANGER

- Indication of an imminent threat of danger that will lead to severe injuries or even death.

⚠ WARNING

- Indication of a potentially dangerous situation that may lead to severe injuries or even death.

⚠ CAUTION

- Indication of a potentially dangerous situation that may lead to minor injuries.

ATTENTION

- Indication of a potentially dangerous situation that may lead to damage to property.

General safety instructions

⚠ DANGER

- Risk of asphyxiation. Keep packaging film out of the reach of children.

⚠ WARNING

- Persons with reduced physical, sensory or mental capabilities and persons lacking experience and knowledge may only use the appliance if they are properly supervised, have been instructed on use of the appliance safely by a person responsible for their safety, and understand the resultant hazards involved.
- Always disconnect the device from the power supply before assembling, disassembling or cleaning.
- Children must be supervised to prevent them from playing with the appliance.
- Children must not operate the device.
- Cleaning and user maintenance may not be carried out by children.

Risk of electric shock

⚠ DANGER • Never touch the mains plug and socket with wet hands. • The voltage indicated on the type plate must match the voltage of the power source. • Install electrical plug connections only in areas that are protected against flooding. • Operate pumps at swimming pools, garden ponds and fountains only via a fault current protection switch with a nominal current no greater than 30 mA and with a protective contact (ground). • In Austria, pumps used with swimming pools and garden ponds that are permanently connected to the mains supply must be supplied via an isolating transformer approved according to the Austrian Electro-technical Association standard ÖVE B/EN 60555

Parts 1 to 3, where the nominal secondary output voltage of the transformer must not exceed 230 V. • Only operate the device via a fault current protection switch (maximum 30 mA). • The mains plug and coupling of the extension cable must be water tight and may not be placed in water. The coupling may not be on the floor. Use cable drums to ensure that the sockets are at least 60 mm above the floor. • You may not operate the pump when persons are in the swimming pool or garden pond.

⚠ WARNING • Only connect the device to an electrical connection that has been installed by a qualified electrician. It is essential that you adhere to the national regulations for this. • Check that the mains connection cable with mains plug is undamaged each time before using the device. To avoid any possible danger, a damaged mains connection cable must be immediately replaced by the manufacturer, or the authorised customer service department or a qualified electrician. • Do not damage the power supply and extension cable by running over it, crushing or yanking it or similar. Protect the power supply cable from heat, oil and sharp edges. • Unsuitable electrical extension cables can be dangerous. Only use approved and appropriately marked electrical extension cables with a sufficient cable cross section for outdoors.

⚠ CAUTION • Do not carry/transport the device using the power supply cable. • Do not pull the mains plug out the socket using the power supply cable.

Care and maintenance

⚠ WARNING • Switch off the device immediately and remove the mains plug before performing any care and service work.

⚠ CAUTION • Have repair work, installation of spare parts and work on electrical components carried out by the authorised customer service only.

Transport

⚠ CAUTION • Accidents or damage due to the device falling over. Before all actions with or on the device, you must make sure that it is stable. • Risk of accidents and injuries. Take into account the weight of the device for transportation and storage. See chapter Technical data in the operating instructions.

Intended use

Only use the device in private households.

Intended use:

- Removal of water from building sections in the event of flooding
- Transferring and pumping water from containers
- Water removal from wells and shafts
- Pumping fresh water out of boats and yachts

For notes on functional principle, see chapter *Operation*.

Permissible feed fluids

⚠ DANGER

Danger of death and risk of damage when pumping explosive, flammable or unsuitable substances!
Flammable or explosive substances may ignite or explode.

Unsuitable substances can damage the pump.

Do not pump explosive, flammable or corrosive liquids or gases (e.g. fuels, petroleum, nitro thinner) and do not pump fats, oils, salt water or waste water from sanitary facilities or water that has a lower flowing ability than clean water.

Permissible feed fluids:

- Fresh water up to the specified degree of contamination
SP 9,500 Dirt and SP 11,000 Dirt (dirty water pump):
Water with a degree of contamination up to a diameter of 20 mm
SP 9,000 Flat (clean water pump):
Water with a degree of contamination up to a diameter of 5 mm
- Swimming pool water with intended dosage of additives
- Washing lye, e.g. from leaking washing machines. Afterwards, rinse and clean the pump with clear fresh water, see chapter *Rinsing and cleaning*.
- The temperature of the feed fluids should lie between 5 °C and 35 °C

Improper use

ATTENTION

Risk of damage due to frost!

Operation during frost may damage the device.

An incompletely emptied device can be damaged by frost.

Do not operate the device during frost.

Protect the device from frost.

ATTENTION

Risk of damage during continuous operation!

The device is not suitable for continuous operation.

Do not operate the device continuously for long periods (e.g. continuous circulation operation in ponds) or as a stationary installation (e.g. as a water lifting system, fountain pump).

Note

The manufacturer accepts no liability for possible damage caused by improper use or incorrect operation.

Environmental protection



The packing materials can be recycled. Please dispose of packaging in accordance with the environmental regulations.



Electrical and electronic appliances contain valuable, recyclable materials and often components such as batteries, rechargeable batteries or oil, which - if handled or disposed of incorrectly - can pose a potential threat to human health and the environment. However, these components are required for the correct operation of the appliance. Appliances marked by this symbol are not allowed to be disposed of together with the household rubbish.

Notes on the content materials (REACH)

Current information on content materials can be found at: www.kaercher.com/REACH

Accessories and spare parts

Only use original accessories and original spare parts. They ensure that the appliance will run fault-free and safely.

Information on accessories and spare parts can be found at www.kaercher.com.

Scope of delivery

The scope of delivery for the appliance is shown on the packaging. Check the contents for completeness when unpacking. If any accessories are missing or in the event of any shipping damage, please notify your dealer.

Warranty

The warranty conditions issued by our sales company responsible apply in all countries. We shall remedy possible malfunctions on your device within the warranty period free of cost, provided that a material or manufacturing defect is the cause. In a warranty case, please contact your dealer (with the purchase receipt) or the next authorised customer service site. (See overleaf for the address)

Description of the device

See graphics page for illustrations

Illustration A

- ① Carrying handle
- ② Power supply cable with plug
- ③ Lock (float switch)
- ④ *Pump connecting piece G 1 (3/4" and 1" hose connection and G 1 - thread)
- ⑤ *Check valve
- ⑥ G 1 - threaded connection
- ⑦ Pump connecting piece G 1 1/2 (1", 1 1/4" and 1 1/2" hose connection and G 1 1/2 - thread)
- ⑧ Pipe union (G 1 1/2 - thread)
- ⑨ Float switch
- ⑩ Quick-Connect
- ⑪ Automatic venting device
- ⑫ Feet (SP 9,000 Flat)

*Not included in the scope of delivery.

Initial startup

⚠ DANGER

Risk of electric shock and risk of injury!

The device contains electrical and mechanical components.

Always disconnect the device from the power supply before assembling, disassembling or cleaning.

Note

The shorter the hose length and larger the hose diameter, the higher the pump capacity.

To avoid clogging the pump, use a pre-filter for hose diameters smaller than 1 1/4".

The pump connection is equipped with a plug-in system (Quick-Connect).

The pipe union with pump connecting piece G 1 1/2 and the G 1 threaded connection are supplied unassembled with the device.

Note

Hoses with a diameter of 1", 1 1/4" and 1 1/2" can be connected to the pump connecting piece G 1 1/2.

A sufficiently large hose diameter must be selected and the pump connecting piece G 1 1/2 must be shortened according to the grooves so that the required particle size can be used. A large hose diameter is also recommended for smaller particle sizes to allow a high flow volume.

Connect hose to pump if using a 1", 1 1/4" or 1 1/2" hose:

1. Screw the pump connecting piece G 1 1/2 onto the pipe union.

Illustration B

2. Push the hose clamp onto the hose.
3. Push the hose onto the pump connecting piece G 1 1/2 and fasten it with a hose clamp.
4. Push the pipe union into the Quick-Connect.

Illustration C

Connect hose to pump if using a 3/4" or 1" hose:

1. Screw the G1 threaded connection onto the pipe union.

Illustration B

2. Fit the special accessory pump connecting piece G 1 (6.997-359.0 pump connecting piece G 1 (33.3 mm) incl. check valve - not included in the scope of delivery) onto the G 1 threaded connection:

- a. Place the check valve on the G 1 threaded connection so that the lettering 'UP' is legible.
- b. Screw the pump connecting piece G 1 onto the G 1 threaded connection.

3. Push the hose clamp onto the hose.
4. Push the hose onto the pump connecting piece G 1 and fasten it with a hose clamp.
5. Push the pipe union into the Quick-Connect.

Illustration C

Setting up / immersing the pump:

1. Fold out or in the feet (SP 9,000 Flat).

Illustration D

2. Place the pump securely on solid ground in the feed fluid or immerse it by means of a rope attached to the carrying handle.

Note

The suction area must not be blocked by contamination. If the ground is muddy, place the pump on a brick or something similar. Make sure that the pump is horizontal. Do not carry the pump using the cable or hose.

Operation

⚠ DANGER

Danger of death from electric shock.

Danger of death from electric shock if live parts are touched.

During operation, do not touch the rope attached to the carrying handle or any objects that are in contact with the pumped liquid (e.g. pipelines protruding into the pumped liquid, railings) and do not reach into the pumped liquid.

Automatic venting device

1. If the fluid level is low, any sucked-in air, or air present in the pump, may escape via the automatic venting device. Fluid can also leak along with air. If the pump has problems with suction when the fluid level is low, unplug and plug in the mains plug repeatedly to assist the suction process.

Illustration E

Automatic mode

1. If necessary, fold out the feet, see chapter *Initial startup* (SP 9,000 Flat).

Note

Folding out the feet is not absolutely necessary, but it does increase the pump capacity.

2. Plug the mains plug into a mains socket.

Note

In automatic mode, the float switch controls the pumping process automatically.

The pump switches on as soon as the float switch has reached the switch-on height caused by the rising fluid level.

The pump switches off as soon as the float switch has reached the switch-off height caused by the sinking fluid level.

The float switch must be able to move freely.

Illustration F

Min / Max	SP 9,000 Flat	SP 9,500 Dirt	SP 11,000 Dirt
Switch-on height cm*	36 / 44	43 / 50	43 / 50
Switch-off height cm*	15 / 24	18 / 30	18 / 30

* The switching heights vary depending on the position of the float switch.

Manual operation

Note

In manual operation, the pump stays switched on continuously. For the pump to suction itself in manual mode, the fluid level must be at least 60 mm (SP 9,500 Dirt and SP 11,000 Dirt) or 7 mm (SP 9,000 Flat).

Note

The pump can pump up to a residual fluid height of 25 mm (SP 9,500 Dirt and SP 11,000 Dirt) or 1 mm (SP 9,000 Flat).

The specified residual fluid heights are only achieved in manual operation.

The float switch must be able to move freely.

1. Fold in the feet, see chapter *Initial startup* (SP 9,000 Flat).

Note

By folding in the feet, flat suction of the fluid up to 1 mm residual fluid height is possible in manual operation.

2. Fasten the float switch in the lock so it points upwards.

Illustration G

ATTENTION

Risk of damage from dry running!

Dry running leads to increased wear on the pump.

Do not leave the pump unattended in manual operation. In case of dry running, immediately pull the mains plug out of the socket.

3. Plug the mains plug into a mains socket.

Finishing operation

1. Pull the mains plug out of the socket.
The device stops.

ATTENTION

Risk of damage!

Risk of damage due to dried soiling or additives.

Rinse and clean the device immediately after each use.

2. If dirty liquids or liquids with additives have been pumped, rinse and clean the device immediately after finishing operation, see chapter *Rinsing and cleaning*.
3. Drain the device and accessories and let them dry.

Care and maintenance

⚠ DANGER

Risk of electric shock and risk of injury!

The device contains electrical and mechanical components.

Cleaning and user maintenance may not be carried out by children.

Rinsing and cleaning

ATTENTION

Risk of damage!

Risk of damage due to dried soiling or additives.

Rinse and clean the device immediately after each use.

1. If dirty liquids or liquids with additives have been pumped, the device must be rinsed afterwards: Use the device to pump clear fresh water without additives until all soiling or additives have been flushed out of the device.

⚠ DANGER

Risk of electric shock and risk of injury!

The device contains electrical and mechanical components.

Always disconnect the device from the power supply before assembling, disassembling or cleaning.

2. Pull the mains plug out of the socket.
3. Press the Quick-Connect button and remove the connection nozzle.

Illustration C

4. Where necessary, remove residue from the hose and on Quick-Connect.
5. Clean the outside of the device with a soft, clean cloth and clear fresh water.
6. Drain the device and accessories and let them dry.

Service

The device is maintenance-free.

Transport

Manual transport

⚠ CAUTION

Risk of injury from tripping!

There is a risk of injury from tripping on loose cables and hoses.

Be careful of cables and hoses when moving the device.

1. Lift and carry the device by the carrying handle.

Transport in vehicles

⚠ WARNING

Risk of injury, risk of damage!

Note the weight of the device during transport.

Store or secure the device in accordance with applicable guidelines so that it cannot slip or be thrown around during transport.

2. When transporting the device in vehicles, secure it to prevent it from slipping or overturning in accordance with the respectively applicable guidelines.

Storage

ATTENTION

Risk of damage due to frost!

An incompletely emptied device can be damaged by frost.

Completely empty the device and accessories before storing them.

Protect the device from frost.

Store the device in a frost-free place and not outdoors.

⚠ CAUTION

Risk of injury and damage!

The device may tip over on sloping surfaces.

Be aware of the weight of the device during storage.

1. Completely empty the pump and accessories.
2. Allow the pump and accessories to dry out.
3. Store the pump in a frost-protected place.

Troubleshooting guide

Malfunctions often have simple causes that you can remedy yourself using the following overview. When in doubt, or in the case of malfunctions not mentioned here, please contact your authorised Customer Service.

Fault	Cause	Rectification
Pump is running, but not delivering	Air is in the pump.	1. Check for correct startup (see chapter <i>Initial startup</i> and <i>Operation</i>).
	Dirt particles block the suction area.	1. Pull the mains plug out of the socket. 2. Clean the suction area.
	The fluid level is too low (manual operation), see chapter <i>Technical data</i> .	1. Immerse the pump deeper into the feed fluid, see chapter <i>Manual operation</i> .

Fault	Cause	Rectification
The pump does not start or stops during operation	The power supply is disconnected.	1. Check the fuses and the electrical connections.
	The thermal protection switch has switched off the pump because of overheating.	1. Pull the mains plug out of the socket. 2. Allow the pump to cool down. 3. Clean the suction area. 4. Prevent the pump from running dry.
	Dirt particles are trapped in the suction area.	1. Pull the mains plug out of the socket. 2. Clean the suction area.
	The float switch switches the pump off.	1. Automatic mode: Check the position and free movement of the float switch and correct if necessary, see chapter <i>Automatic mode</i> . 2. Manual operation: Attach the float switch correctly, see chapter <i>Manual operation</i> .
The pump capacity drops or is too low	The suction area is clogged.	1. Pull the mains plug out of the mains socket and clean the suction area.
	The delivery rate of the pump depends on the delivery head and the connected periphery.	1. Observe the maximum delivery height, see chapter <i>Technical data</i> . If necessary, select a larger hose diameter or shorter hose length.
	The cross-section on the pressure side is narrowed, e.g. due to the valve/ball tap not being fully open.	1. Fully open the valve / ball tap.
	The pressure side hose is kinked.	1. Eliminate the kink points in the hose.
Quick-Connect cannot be opened	The Quick-Connect plug system is blocked by contamination.	1. Remove the clip and clean it.

Technical data

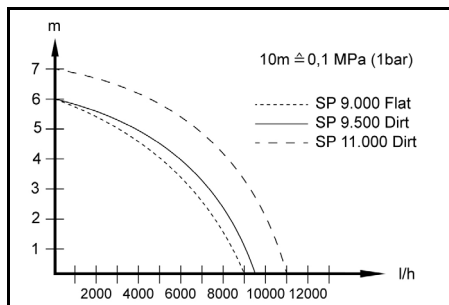
		SP 9.000 Flat	SP 9.500 Dirt	SP 11.000 Dirt
Device performance data				
Mains voltage	V	230-240	230-240	230-240
Power frequency	Hz	50	50	50
Nominal power	W	280	280	400
Maximum flow rate	l/h	9.000	9.500	11.000
Pressure (max.)	MPa (bar)	0,06 (0,6)	0,06 (0,6)	0,07 (0,7)
Delivery height (max.)	m	6	6	7
Immersion depth (max.)	m	7	7	7
Perm. temp. feed fluid	°C	5...35	5...35	5...35
Particle size (max.) of permissible feed fluids	mm	5	20	20
Minimum fluid level (manual mode)	mm	7	60	60
Residual fluid height	mm	1	25	25
Weight (without accessories)	kg	3,7	3,8	4,4

Subject to technical modifications.

Optimising the flow rate

The flow rate is further increased:

- The lower the delivery height is.
- The greater the diameter of the hose used is.
- The shorter the hose used is.
- The smaller the pressure loss caused by the connected up accessories.



Declaration of Conformity

EU Declaration of Conformity

We hereby declare that the machine described below complies with the relevant basic safety and health requirements in the EU Directives, both in its basic design and construction as well as in the version placed in circulation by us. This declaration is invalidated by any changes made to the machine that are not approved by us.

Product: Pump

Type: 1.645-xxx

Currently applicable EU Directives

2014/35/EU

2014/30/EU

2011/65/EU

2009/125/EC

Commission Regulation(s)

(EU) 2019/1781

Harmonised standards used

EN 60335-1

EN 60335-2-41

EN 62233: 2008

EN 55014-1: 2017 + A11: 2020

EN 55014-2: 2015

EN 61000-3-2: 2014

EN 61000-3-3: 2013

EN IEC 63000: 2018

The signatories act on behalf of and with the authority of the company management.



H. Jenner

Chairman of the Board of Management



S. Reiser

Manager Regulatory Affairs & Certification

Documentation supervisor:

S. Reiser

Alfred Kärcher SE & Co. KG

Alfred-Kärcher-Str. 28 - 40

71364 Winnenden (Germany)

Ph.: +49 7195 14-0

Fax: +49 7195 14-2212

Winnenden, 2021/06/01

Declaration of Conformity (UK)

We hereby declare that the product described below complies with the relevant provisions of the following UK Regulations, both in its basic design and construction as well as in the version put into circulation by us. This declaration shall cease to be valid if the product is modified without our prior approval.

Product: Pump

Type: 1.645-xxx

Currently applicable UK Regulations

S.I. 2016/1101 (as amended)

S.I. 2016/1091 (as amended)

S.I. 2012/3032 (as amended)

S.I. 2010/2617 (as amended)

Commission Regulation(s)

(EU) 2019/1781

Designated standards used

EN 60335-1

EN 60335-2-41

EN 62233: 2008

EN 55014-1: 2017 + A11: 2020

EN 55014-2: 2015

EN 61000-3-2: 2014

EN 61000-3-3: 2013

EN IEC 63000: 2018

The signatories act on behalf of and with the authority of the company management.



H. Jenner

Chairman of the Board of Management



S. Reiser

Manager Regulatory Affairs & Certification

Documentation supervisor:

S. Reiser

Alfred Kärcher SE & Co. KG

Alfred-Kärcher-Str. 28 - 40

71364 Winnenden (Germany)

Ph.: +49 7195 14-0

Fax: +49 7195 14-2212

Winnenden, 2021/06/01

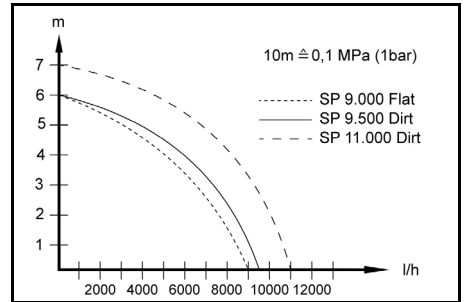
البيانات الفنية

SP 11.000 Dirt	SP 9.500 Dirt	SP 9.000 Flat		
230-240	230-240	230-240	V	أداء الجهاز جهد المآخذ الرئيسي
50	50	50	Hz	تردد المآخذ الرئيسي
400	280	280	W	إدخال الطاقة المقدر
11.000	9.500	9.000	l/h	كمية الإمداد القصوى
0,07 (0,7)	0,06 (0,6)	0,06 (0,6)	MPa (bar)	ضغط (أقصى)
7	6	6	m	ارتفاع الدفق (الأقصى)
7	7	7	m	عمق العمر (الحد الأقصى)
5...35	5...35	5...35	درجة المسموح بها لسانل متوية	درجة الحرارة الصخ
20	20	5	mm	حجم جزيئات سوائل الصخ (الأقصى المسموح بها)
60	60	7	mm	الحد الأدنى لارتفاع السانل (الوضع اليدوي)
25	25	1	mm	ارتفاع السانل المتينقى
4,4	3,8	3,7	kg	الوزن (من دون ملحقات)

المواصفات الفنية خاضعة للتعديل.

تحسين كمية الصخ

- تكون كمية الصخ أكبر:
- كلما قل ارتفاع الصخ.
- كلما كان قطر الخرطوم المستخدم أكبر.
- كلما كان طول الخرطوم المستخدم أقصر.
- كلما انخفض فقدان الضغط بسبب ملحق متصل.



النقل

نقل باليد

⚠ تنويه

خطر الإصابة بسبب التعثر!

هناك خطر الإصابة بسبب التعثر في الكابلات والخرطوميم الفضفاضة.

انتبه إلى الكابلات والخرطوميم عند إزاحة الجهاز.

1. ارفع الجهاز واحمله من مقبض الحمل.

النقل بالمركبات

⚠ تحذير

خطر الإصابة، خطر التعرض لأضرار!

احرص عند النقل على مراعاة وزن الجهاز.

قم بتخزين الجهاز أو تأمينه وفقاً للوائح المعمول بها حتى لا ينزلق أو يتطاير أثناء النقل.

2. عند عملية النقل في المركبات، يجب تأمين الجهاز ضد الانزلاق والانعكاس وفقاً لما تنص عليه المعايير السارية حالياً.

التخزين

تنبيه

خطر التلف من الصقيع!

من الممكن حدوث تلف بالأجهزة غير المفرغة بالكامل بسبب الصقيع.

أفرغ الجهاز والملحقات تماماً قبل تخزينها.

عليك حماية الجهاز من التجمد.

قم بتخزين الجهاز في مكان خالي من الصقيع، وليس في الهواء الطلق.

⚠ تنويه

خطر الإصابة وخطر التعرض لأضرار!

قد يتعرض الجهاز للانقلاب على الأسطح المائلة.

احرص عند التخزين على مراعاة وزن الجهاز.

1. أفرغ المضخة والملحقات بالكامل.
2. اترك المضخة والملحقات حتى تجف.
3. تخزن المضخة في مكان خالي من الصقيع.

المساعدة في حالة حدوث خلل

الاختلالات غالباً ما تكون ناتجة عن أسباب بسيطة، والتي يمكنك التغلب عليها بنفسك بمساعدة العرض التوضيحي التالي. عند الشك أو حدوث اختلالات لم يتم ذكرها هنا، توجه من فضلك إلى مركز خدمة العملاء المعتمد.

خطأ	السبب	حل المشكلة
المضخة تعمل ولكن لا تضخ	يوجد في المضخة هواء.	1. تحقق من التشغيل السليم (انظر الفصل بدء التشغيل و التشغيل).
	جزينات الأوساخ تحجب نطاق الشفط.	1. سحب قابس الشبكة من المقبس. 2. تنظيف نطاق الشفط.
	مستوى السائل منخفض جداً (التشغيل اليدوي). انظر الفصل البيانات الفنية.	1. الغوص في المضخة أعمق في سائل الضخ. انظر الفصل التشغيل اليدوي.
المضخة لا تعمل أو توقف أثناء التشغيل	انقطاع الإمداد بالتيار. فرط مفتاح الحماية الحراري بإيقاف المضخة بسبب فرط السخونة.	1. فحص المصاهر والتوصيلات الكهربائية. 2. سحب قابس الشبكة من المقبس. 3. اترك المضخة تبرد. 4. تنظيف نطاق الشفط. 5. تجنب تشغيل المضخة على الجاف.
	انحصار جزينات الاتساختات في نطاق الشفط.	1. سحب قابس الشبكة من المقبس. 2. تنظيف نطاق الشفط.
	يقوم مفتاح العوامة بإيقاف المضخة.	1. التشغيل الأوتوماتيكي: تحقق من موضع وحرية حركة مفتاح العوامة وتصحيحه إذا لزم الأمر. انظر الفصل التشغيل الأوتوماتيكي. 2. التشغيل اليدوي: قم بتركيب مفتاح العوامة بشكل صحيح. انظر الفصل التشغيل اليدوي.
قدرة الضخ تتأقص أو منخفضة للغاية	نطاق السحب مسدود.	1. أفضل قابس الطاقة من المقبس وقم بتنظيف نطاق السحب.
	تعتمد قدرة ضخ المضخة على ارتفاع الضخ والأجهزة الطرفية الموصلة.	1. يُراعى الحد الأقصى لارتفاع الضخ، انظر الفصل البيانات الفنية. إذا لزم الأمر، اختر قطر خرطوم أكبر أو طول خرطوم أقصر.
	تم تضيق المقطع العرضي على جانب الضغط، على سبيل المثال بسبب عدم فتح الصمام / المحبس الكروي بالكامل.	1. افتح الصمام /الصنوبر الكروي بالكامل.
	الخرطوم مطوي بجهة الضغط.	1. إزالة أماكن الطوي بالخرطوم.
يتعذر فتح نظام التوصيل السريع	انسداد نظام الإدخال لنظام التوصيل السريع من خلال الاتساختات.	1. قم بإزالة المشبك وتنظيفه.

التشغيل اليدوي

إرشاد

في التشغيل اليدوي، تظل المضخة قيد التشغيل باستمرار حتى تقوم المضخة تلقائياً بالشفط في الوضع اليدوي، يجب أن يكون مستوى السائل على الأقل 60 مم (SP 9.500 Dirt) و (SP 9.000 Flat) أو 7 مم (SP 11.000 Flat).

إرشاد

يمكن للمضخة ضخ السوائل المتبقية إلى ارتفاع قدره 25 مم (SP 9.500 Dirt و SP 11.000 Flat) أو 1 مم (SP 9.000 Flat). يتم الوصول إلى ارتفاعات السائل المتبقية المحددة فقط في التشغيل اليدوي.

يجب ضمان حرية حركة مفتاح العوامة.

1. قم بضم قدمي الارتكاز، انظر الفصل بدء التشغيل (SP 9.000 Flat).

إرشاد

عن طريق طي قدمي الارتكاز، يمكن الشفط المسطح للسائل حتى ارتفاع السائل المتبقي 1 مم في التشغيل اليدوي.

2. قم بتوصيل مفتاح العوامة في القفل الذي يشير إلى الأعلى.

صورة إيضاحية G

تنبيه

خطر حدوث أضرار في حالة التشغيل على الجاف!

يؤدي التشغيل على الجاف إلى زيادة التآكل بالمضخة.

لا تترك المضخة دون مراقبة أثناء التشغيل اليدوي.

وانزع القابس الكهربائي من المقبس الكهربائي على الفور في حالة التشغيل على الجاف.

3. أدخل قابس التيار الكهربائي في المقبس.

إيقاف التشغيل

1. سحب قابس الشبكة من المقبس.

الجهاز يتوقف.

تنبيه

خطر حدوث أضرار

خطر حدوث أضرار بسبب الاتساخات أو المواد الجافة.

احرص على شطف الجهاز وتنظيفه مباشرة بعد كل استخدام.

2. إذا تم ضخ سائل منسوخ أو مختلط بإضافات، فأحرص على شطف الجهاز وتنظيفه مباشرة بعد انتهاء التشغيل، انظر فصل الشطف والتنظيف.

3. أفرغ الجهاز والملحقات واتركها تجف.

العناية والصيانة

⚠️ خطر

خطر التعرض لصدمة كهربائية ووقوع إصابات!

يحتوي الجهاز على أجزاء كهربائية وميكانيكية.

لا يجوز للأطفال إجراء أعمال التنظيف والصيانة بالمنطقة بالمستخدم.

الشفط والتنظيف

تنبيه

خطر حدوث أضرار

خطر حدوث أضرار بسبب الاتساخات أو المواد الجافة.

احرص على شطف الجهاز وتنظيفه مباشرة بعد كل استخدام.

1 إذا تم ضخ سائل منسوخ أو مختلط بإضافات، فيجب عندئذ شطف الجهاز؛ قم بضغط ماء عذب دون إضافات باستخدام الجهاز حتى يتم شطف جميع الاتساخات أو الإضافات من الجهاز.

⚠️ خطر

خطر التعرض لصدمة كهربائية ووقوع إصابات!

يحتوي الجهاز على أجزاء كهربائية وميكانيكية.

أفضل الجهاز دائماً عن مصدر الكهرباء قبل تجميعه أو تفكيكه أو تنظيفه.

2 سحب قابس الشبكة من المقبس.

3 اضغط على زر نظام التوصيل السريع وافصل فوهة التوصيل.

صورة إيضاحية C

4 وعند اللزوم، تخلس من المخلفات الموجودة في الخرطوم

وعلى نظام التوصيل السريع.

5 نظّف الجهاز من الخارج بقضعة قماش ناعمة ونظيفة وماء

عذب نقي.

6 أفرغ الجهاز والملحقات واتركها تجف.

2 قم بتركيب الملحق الخاص المتمثل في وصلة المضخة G 1 (موصل المضخة G 1 بالرقم 6.9973590 (33,3 مم) بما في ذلك الصمام اللارجوعي - غير متضمن في التجهيزات المورة) على الوصلة الملولبة G 1:

a قم بتركيب الصمام اللارجوعي على الوصلة الملولبة G 1، بحيث يمكن قراءة كلمة "UP".

b اربط موصل المضخة G 1 على الوصلة الملولبة G 1.

3 حرك مشبك الخرطوم على الخرطوم.

4 حرك الخرطوم على وصلة المضخة G 1 وقم بتوصيله بمشبك خرطوم.

5 حرك فوهة التوصيل في نظام التوصيل السريع.

صورة إيضاحية C

تنصيب أغمر المضخة:

1 قم بطي أقدم الارتكاز للخارج أو الداخل (SP 9.000 Flat).

صورة إيضاحية D

2 قم بتنصيب المضخة المستقلة على أرض صلبة في سائل الضخ

أو أغمرها بحل متصل بمقبض الحمل.

إرشاد

يجب ألا يكون نطاق السحب مسدوداً بالشوائب. في حالة الأرض الموحلة، ضع المضخة على طوب أو ما شابه ذلك. تأكد من أن المضخة أفقية. لا تحمل المضخة على الكابل أو الخرطوم.

التشغيل

⚠️ خطر

خطر على الحياة من جراء صدمة كهربائية!

هناك خطر على الحياة من جراء صدمة كهربائية عند لمس أجزاء موصلة للكهرباء.

أثناء التشغيل، لا تلمس الحبل المثبت بمقبض الحمل أو الأشياء الملامسة لسائل الضخ (مثل الأنابيب أو القضبان البارزة في سائل الضخ) ولا تمسك سائل الضخ.

جهاز تنفيس هواء أوتوماتيكي

1. إذا كان مستوى السائل منخفضاً، فإن أي هواء يتم امتصاصه أو وجوده في المضخة يتسرب عبر جهاز تنفيس هواء أوتوماتيكي.

بالإضافة إلى الهواء، يمكن أن يتسرب السائل أيضاً.

إذا كانت المضخة تعاني من مشاكل في الشفط عندما يكون مستوى السائل منخفضاً، فافصلها مراراً وتكراراً وقم بتوصيلها

لدعم عملية السحب.

صورة إيضاحية E

التشغيل الأوتوماتيكي

1. إذا لزم الأمر، قم بطي قدمي الارتكاز، انظر الفصل بدء التشغيل (SP 9.000 Flat).

إرشاد

ليس من الضروري تماماً فتح قدمي الارتكاز، ولكن هذا يحقق قدرة ضخ أعلى.

2. أدخل قابس التيار الكهربائي في المقبس.

إرشاد

في الوضع الأوتوماتيكي، يتحكم مفتاح العوامة تلقائياً في عملية الضخ.

يتم تشغيل المضخة بمجرد وصول مفتاح العوامة إلى ارتفاع التشغيل من خلال ارتفاع مستوى السائل.

يتم إيقاف المضخة بمجرد وصول مفتاح العوامة إلى ارتفاع الإيقاف من خلال انخفاض مستوى السائل.

يجب ضمان حرية حركة مفتاح العوامة.

صورة إيضاحية F

الحد الأدنى / الحد الأقصى	SP 9.000 Flat	SP 9.500 Dirt	SP 11.000 Dirt
ارتفاع التشغيل سم*	44 / 36	50 / 43	50 / 43
ارتفاع الإيقاف سم*	24 / 15	30 / 18	30 / 18

* تختلف ارتفاعات التبديل حسب موضع مفتاح العوامة.

مواصفات الجهاز

للصور، انظر صفحات الأشكال

صورة إيضاحية A

- 1 مقبض الحمل
- 2 كابل التيار الكهربائي المزود بقابس
- 3 القفل (مفتاح العوامة)
- 4 *وصلة المضخة G 1 (¼ بوصة ووصلة الخرطوم 1 بوصة والوصلة الملولة 1 G)
- 5 *صمام لارجوي
- 6 وصلة ملولة 1 G
- 7 وصلة المضخة (1 ½ G بوصة، وصلة الخرطوم 1 ¼ بوصة و 1 ½ بوصة والوصلة الملولة 1 ½ G)
- 8 فوهة التوصيل (وصلة ملولة 1 ½ G)
- 9 مفتاح العوامة
- 10 نظام التوصيل السريع
- 11 جهاز تنفيس هواء أوتوماتيكي
- 12 قدم ارتكاز (SP 9.000 Flat)

* ليس ضمن مجموعة التجهيزات الموردة.

بدء التشغيل

⚠ خطر

خطر التعرض لصدمة كهربائية ووقوع إصابات!

يحتوي الجهاز على أجزاء كهربائية وميكانيكية. أفضل الجهاز دائماً عن مصدر الكهرباء قبل تجميعه أو تفكيكه أو تنظيفه.

إرشاد

كلما كان طول الخرطوم أقصر وقطر الخرطوم أكبر، زادت قدرة الضخ.

لتجنب انسداد المضخة، استخدم فلتر أولي لأقطار الخرطوم الأصغر من 1 ¼ بوصة.

تم تجهيز وصلة المضخة بنظام إدخال إضافي (نظام التوصيل السريع).

يتم إرفاق فوهة التوصيل مع وصلة المضخة 1 G ¼ والوصلة الملولة 1 G مع الجهاز.

إرشاد

يمكن توصيل الخرطام التي يبلغ قطرها 1 بوصة و 1 ¼ بوصة بوصلة المضخة 1 G ¼.

لكي يمكن أن يتم نقل الحبوب بالحجم المرغوب به، يجب أن يتم اختيار حجم كافٍ لقطر الخرطوم. وأن يتم تقصير وصلة المضخة 1 G ¼ حسب الشقوق. كما ينصح باستخدام قطر خرطوم كبير حتى عند استخدامه للحبوب الصغيرة، لكي يتمكن مرور أكبر كمية أكبر ممكنة.

قم بتوصيل الخرطوم بالمضخة، عند استخدام خرطوم مقاس 1 بوصة أو 1 ¼ بوصة أو 1 ½ بوصة:

1 قم بربط وصلة المضخة 1 G ¼ على فوهة التوصيل.

صورة إيضاحية B

2 حرك مشبك الخرطوم على الخرطوم.

3 حرك الخرطوم على وصلة المضخة 1 G ¼ وقم بتوصيله بمشبك خرطوم.

4 حرك فوهة التوصيل في نظام التوصيل السريع.

صورة إيضاحية C

قم بتوصيل الخرطوم بالمضخة، عند استخدام خرطوم ¼ بوصة أو 1 بوصة:

1 G1 - اربط الوصلة الملولة على فوهة التوصيل.

صورة إيضاحية B

تجنب ضخ سوائل أو غازات انفجارية أو قابلة للاشتعال أو مسببة للتآكل (مثل الوقود أو البنزين) أو مخفف باستخدام البنزين) أو ضخ الشحوم أو الزيوت أو الماء المالح أو ماء الصرف الصحي من مرافق المرحاض أو الماء الذي يتميز بقابلية تدفق أقل من الماء النظيف.

سوائل الضخ المسموح بها:

- المياه العذبة حتى درجة التلوث المحددة SP 9.500 Dirt و SP 11.000 (مضخة المياه المتسخة): المياه ذات درجة الانساخ حتى جسيمات بحجم 20 مم SP 9.000 Flat (مضخة المياه النظيفة): المياه ذات درجة الانساخ حتى جسيمات بحجم 5 مم
- مياه المسابح عند استخدام العيار المضبوط للمواد المضافة
- سائل الغسل، المتسرب من الغسالات مثلاً. ثم اشطف المضخة بالماء العذب الصافي وقم بتنظيفها، انظر الفصل الشطف والتنظيف.
- يجب أن تكون درجة حرارة سوائل الضخ بين 5 م° و 35 م°

الاستخدام غير السليم

تنبيه

خطر حدوث أضرار بسبب الضيق

قد يؤدي التشغيل أثناء الضيق إلى تلف الجهاز.

وقد يتعرض الجهاز الذي لم يتم تفرغها بالكامل للضرر من خلال الضيق.

تجنب تشغيل الجهاز أثناء الضيق.

عليك حماية الجهاز من التجمد.

تنبيه

خطر حدوث أضرار أثناء التشغيل المستمر

الجهاز غير مناسب للتشغيل المستمر دون انقطاع.

تجنب تشغيل الجهاز لفترة طويلة دون انقطاع (مثل التشغيل المستمر للدوران في البرن) أو كتركيبة ثابتة (على سبيل المثال كنظام رفع أو مضخة نافورة).

إرشاد

لا تحمل الشركة الصانعة مسؤولية أي أضرار محتملة قد تحدث نتيجة الاستخدام غير المطابق للمواصفات أو التشغيل الخاطئ.

حماية البيئة

المواد المستخدمة في التغليف قابلة لإعادة التدوير. يرجى التخلص من مواد التغليف بطريقة تحافظ على البيئة.

تحتوي الأجهزة الكهربائية والإلكترونية مواد قيمة قابلة لإعادة التدوير وغالباً على أجزاء مثل البطاريات، متراكمت أو

الزيوت والتي قد تشكل خطورة على صحة الإنسان والبيئة في حالة التعامل معها أو تم التخلص منها بصورة خاطئة. إلا

أن هذه الأجزاء ضرورية لتشغيل الجهاز بصورة سليمة. لا يجوز التخلص من الأجهزة المميزة بهذا الرمز مع النفايات المنزلية.

إرشادات حول مواد المحتويات (REACH)

تجد المعلومات الحالية حول مواد المحتويات على الموقع: www.kaercher.com/REACH

الملحقات التكميلية وقطع الغيار

استخدام الملحقات التكميلية الأصلية وقطع الغيار الأصلية فقط، والتي تضمن تشغيل الجهاز بشكل آمن وخالي من الاختلالات.

تجد المعلومات الخاصة بالملحقات التكميلية وقطع الغيار على الموقع www.kaercher.com

محتوى التسليم

محتوى تسليم الجهاز مصور على العبوة. تأكد من وجود جميع محتويات العبوة عند فتحها. وفي حالة نقص أية ملحقات تكميلية أو

اكتشاف أي تلف بها ناتج عن عملية النقل، يرجى إخطار البائع.

الضمان

يسري في كل دولة شروط الضمان التي تضعها شركة التسويق المتخصصة التابعة لنا. نحن نتولى إصلاح الأخطاء التي قد تطرأ على جهازك خلال فترة الضمان بدون مقابل، عندما يكون سبب هذه الأعطال ناجم عن عيب في المواد المستخدمة أو في عملية التصنيع. في حالة استحقاق الضمان، توجه من فضلك بقسمة الشراء إلى أقرب موزع أو مركز خدمة عملاء معتمد. (العنوان على الصفحة الخلفية)

المحتويات

10	إرشادات السلامة
10	الاستخدام المطابق للتعليمات
11	حماية البيئة
11	الملحقات التكميلية وقطع الغيار
11	محتوى التسليم
11	الضمان
11	مواصفات الجهاز
11	بدء التشغيل
12	التشغيل
12	العناية والصيانة
13	النقل
13	التخزين
13	المساعدة في حالة حدوث خلل
14	البيانات الفنية
14	تحسين كفاءة الضخ

إرشادات السلامة



اقرأ فصل السلامة هذا ودليل التشغيل الأصلي

هذا أيضا قبل استخدام الجهاز لأول مرة. تم تصريف طبقا لذلك. حافظ على دليل التشغيل الأصلي للاستخدام لاحقا أو تسليمه للمالك التالي.

- عليك إلى جانب الإرشادات الواردة في دليل التشغيل مراعاة القواعد العامة للسلامة والوقاية من الحوادث والتي يحددها المشرع القانوني.
- تشير علامات الإرشاد والتحذير الموجودة على الجهاز إلى الأرشادات الهامة للتشغيل الآمن.

درجات الخطر

⚠️ خطر

- إشارة إلى خطر مباشر وشيك الحوادث وقد يؤدي إلى إصابات جسدية بالغة أو إلى الوفاة.

⚠️ تحذير

- إشارة إلى موقف قد تحفه المخاطر وقد يؤدي إلى إصابات جسدية بالغة أو إلى الوفاة.

⚠️ تنويه

- إشارة إلى موقف قد تحفه المخاطر وقد يؤدي إلى إصابات بسيطة.

تتبيه

- إشارة إلى موقف قد تحفه المخاطر وقد يؤدي إلى حدوث أضرار مادية.

تعليمات الأمان العامة

⚠️ خطر

- خطر الاختناق. يجب عليك إبعاد أكياس التعبئة والتغليف عن متناول الأطفال.

⚠️ تحذير

- يسمح للأشخاص الذين لديهم قدرات بدنية أو حسية أو عقلية محدودة أو الذين لا يتوافر لديهم الخبرة والمعرفة الكافية، أن يستخدموا الجهاز بشرط الإشراف عليهم بشكل صحيح، أو إذا تم بعد حصولهم على تعليمات بشأن كيفية الاستخدام الآمن للجهاز من قبل شخص مسؤول عن سلامتهم ومعرفةهم بالمخاطر المرتبطة به.
- أفضل الجهاز دائما عن الطاقة قبل القيام بتجميعه أو فكه أو تنظيفه.
- يجب مراقبة الأطفال للتأكد من عدم لعبهم بالجهاز.
- لا يسمح للأطفال بتشغيل الجهاز.
- يجب ألا يتم أعمال التنظيف وصيانة المستخدم من قبل الأطفال.

خطر الصدمة الكهربائية

⚠️ **خطر** • لا تلمس القابض الكهربائي والمقبس بأيدي مبللة بالماء نهائيا. • يجب أن يتوافق الجهد الموجود على لوحة الطراز مع جهد مصدر التيار. • قم بتثبيت الوصلات المقبسية الكهربائية فقط في النطاق المأمون ضد الغمر. • قم بتشغيل المضخات في حمامات السباحة وأحواض الحدائق والنوافير فقط عبر مفتاح التيار الخطأ مع تيار خطأ مقفن يصل إلى 30 مللي أمبير ومع ملامس حماية (وصلة الأرض). • في النمسا، يجب تزويد المضخات المخصصة للاستخدام في حمامات السباحة وأحواض الحدائق المجهزة بكابل توصيل ثابت، وفقا للأجزاء من 1 إلى 3 من تعليمات الرابطة النمساوية للهندسة الكهربائية ÖVE B / EN 60555، بمحول عزل تم اختياره بواسطة الرابطة النمساوية للهندسة الكهربائية (ÖVE)، حيث يجب ألا يتجاوز الجهد المقفن 230 فولط ثانوي. • استخدم الجهاز عن طريق قاطع الدائرة الكهربائية فقط (30 مللي أمبير حد أقصى). • يجب أن يكون القابض الكهربائي وقاترة كابل التمديد الكهربائي مقاومة ضد الماء ولا يسمح بوضعها في الماء. لا يسمح بوضع القاترة على الأرض. استخدم بكرات الكابل الكهربائي التي تتضمن تواجد القوابض الكهربائية بقدر 60 مم فوق الأرض على الأقل. • إذا كان هناك أشخاص في حمام السباحة أو بركة الحديقة، لا يجوز تشغيل المضخة.

⚠️ **تحذير** • يجب توصيل الجهاز بوصلة كهربائية يتم تركيبها بمعرفة فني كهربائي. في ذلك الصدد، يجدر مراعاة اللوائح الوطنية. • تأكد قبل كل استخدام للجهاز من عدم وجود تلف في كابل التيار الكهربائي والقابض. عند تعرض كابل التيار الكهربائي للتلف، يجب استبداله على الفور عن طريق الشركة المصنعة، أو مركز خدمة العملاء المعتمد، أو كهربائي متخصص، وذلك لتجنب أي مخاطر. • لا يتم بإحراق أضرار أو إتلاف كابل التوصيل الكهربائي وكابل التمديد الكهربائي عن طريق الدهس، سحق، الشد أو فعل شيء به من هذا القبيل. قم بحماية كابل التوصيل الكهربائي من الحرارة، الزيت والحواف الحادة. • كابلات التمديد الكهربائية غير المناسبة يمكن أن تكون مصدر للخطر. استخدم في الهواء الطلق لذلك كابلات التمديد الكهربائية المرخصة والمميّزة ومزودة بمقطع عرضي للكابل كاف.

⚠️ **تنويه** • لا تحمل/لا تنقل جهاز الشحن من كابل وصلة الشبكة. • لا تشد قابس الشبكة من كابل الشبكة من المقبس.

العناية والصيانة

⚠️ **تحذير** • أوقف تشغيل الجهاز على الفور وانزع القابض الرئيسي قبل القيام بأي من أعمال العناية والخدمة.

⚠️ **تنويه** • يجب إجراء الصلاحيات، وتركيب قطع الغيار، وتنفيذ الأعمال على الأجزاء الكهربائية بمعرفة مركز خدمة العملاء المعتمد فقط.

النقل

⚠️ **تنويه** • حوادث وأضرار ناجمة عن سقوط الجهاز. يجب عليك ضمان السلامة قبل إجراء أي عمل على الجهاز أو قبل استخدام الجهاز. • خطر الحوادث والإصابة. عليك مراعاة وزن الجهاز عند عملية الشحن والتخزين، انظر فصل البيانات الفنية في دليل التشغيل.

الاستخدام المطابق للتعليمات

استخدم الجهاز للاستعمال المنزلي فقط.

- الاستخدام المطابق للتعليمات:
- تصريف الماء من المياني عند حدوث فيضانات
- النقل والتفريغ من الحاويات
- استخراج الماء من الآبار وغرف الصرف الصحي
- ضخ الماء العذب من القوارب واليخوت
- لإرشادات حول طريقة العمل، انظر فصل التشغيل.

سوائل الضخ المسموح بها

⚠️ خطر

خطر على الحياة ووقوع أضرار عند ضخ مواد انفجارية أو قابلة للاشتعال أو غير مناسبة
المواد القابلة للاشتعال أو الانفجارية يمكن أن تشتعل أو تنفجر.
المواد غير المناسبة يمكن أن تلحق الضرر بالمضخة.



THANK YOU!
MERCI! DANKE! ¡GRACIAS!



Registrieren Sie Ihr Produkt und profitieren Sie von vielen Vorteilen.

Register your product and benefit from many advantages.

Enregistrez votre produit et bénéficiez de nombreux avantages.

Registre su producto y aproveche de muchas ventajas.

www.kaercher.com/welcome



Bewerten Sie Ihr Produkt und sagen Sie uns Ihre Meinung.

Rate your product and tell us your opinion.

Évaluer votre produit et dites-nous votre opinion.

Reseñe su producto y díganos su opinión.



www.kaercher.com/dealersearch

Alfred Kärcher SE & Co. KG
Alfred-Kärcher-Str. 28-40
71364 Winnenden (Germany)
Tel.: +49 7195 14-0
Fax: +49 7195 14-2212

