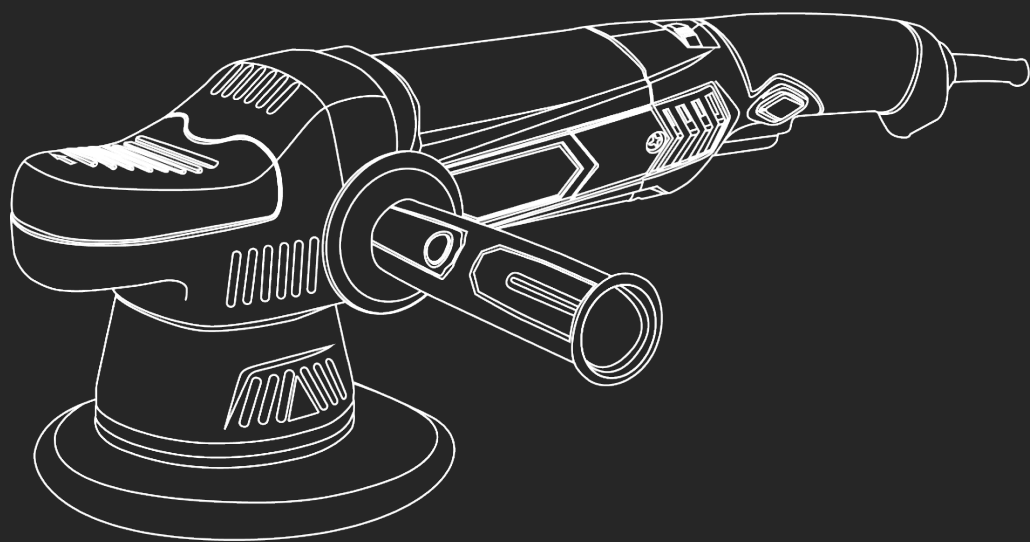


HYUNDAI
POWER PRODUCTS

DUAL-ACTION POLISHER HYDAP900E

Instruction Manual



WARNING: Read the instructions carefully before use.

Contents

Introduction.....	3	Declaration Of Conformity.....	34
Safety Information.....	4-12	Notes.....	35-36
Understand Your Machine.....	4	Useful Information.....	37
Personal Safety.....	4-5	Our YouTube Channel.....	37
Inspect Your Machine.....	5-6	Warranty.....	37
Work Area.....	6	Manual Updates.....	37
During Use.....	6	Returning Your Product.....	37
Batteries.....	7	Leaving A Review.....	37
Electricity.....	7-8	Ordering Spare Parts.....	37
Double Insulated Devices.....	8	Product Record.....	38
Vibrations.....	9	Contact Us.....	39
Noise.....	9		
Residual Risks.....	9		
Intended Use.....	10		
Personal Protective Equipment.....	11		
Symbols On The Machine.....	12		
Unboxing.....	13		
In The Box.....	14		
Features.....	15		
Assembly.....	16-19		
Polishing Head Installation.....	16		
Auxiliary Handle Configuration.....	17		
D-Type Handle Configuration.....	18		
Attaching Polishing Pads.....	19		
Operation.....	20-26		
Starting and Stopping.....	20		
Adjusting Machine Speed.....	21		
Operation Tips.....	22		
Different Pad Uses.....	23		
Polishing Technique.....	24		
Tips and Tricks.....	25		
Product Application.....	26		
Maintenance & Care.....	27-31		
General Maintenance.....	27		
Storage.....	27		
Cleaning.....	28		
Carbon Brushes.....	29-30		
Cleaning Polishing Pads.....	31		
Specifications.....	32		
Recycling And Disposal.....	33		

Introduction

Thank You For Purchasing Your HYUNDAI Product

We work very hard to give all of our customers the best possible service. If you have any problems, before leaving negative feedback, please contact us to give us a chance to resolve the issue. We would be delighted if you left us positive feedback! Thank you for purchasing this product.

Important!



WARNING: READ THE INSTRUCTION BOOKLET THOROUGHLY BEFORE USING THE MACHINE. Keep for future reference and pass it on if the machine is loaned or sold to another user.

This manual has been produced by Hyundai Power Products and should be kept with the product. Please read and understand these instructions before you use your product. Failure to do this may result in personal injury or damage to the product.

The safety precautions and warnings are to ensure your safety and protect you from harm or damage to the product.

The information contained in this manual was accurate at the time of production, however HYUNDAI Power Products may make modifications to the product without notification.

Safety Information

Understand Your Machine

- **WARNING!** You must read these instructions carefully before operating the machine. Make sure that you are familiar with the controls and properly operate the machine. You must learn how to stop the machine quickly. If you do not follow the warnings and instructions, it may result in fire and/or serious injury. Make sure to save all warnings and instructions for future reference.
- Read this manual and labels affixed to the machine to understand its limitations and potential hazards.
- Be thoroughly familiar with the controls and their proper operation. Know how to stop the machine and disengage the controls quickly.
- If the unit is to be used by someone other than original purchaser, or is to be loaned, rented, or sold, always provide this manual and any needed safety training before operation. The user can prevent and is responsible for accidents or injuries that may occur to themselves, to other people, or to property.
- Do not force the machine beyond its limits. Use the correct machine for your application.
- Know how to stop the machine quickly in case of emergency. Understand the use of all controls.
- ALL MAINTENANCE other than that listed in this manual, should be carried out by professionally trained and certified personnel.
- When using this machine for the first time and before actual work, you **MUST** learn how to handle the machine from an experienced or skilled person.

Personal Safety

- **WARNING!** Never allow children or people unfamiliar with these instructions to use the product. Local regulations can restrict the minimum age of the operator.
- Keep children, pets, and other people not using the unit away from the work area (at least 15m). Be alert and shut off the unit if anyone enters work area. Keep children under the watchful care of a responsible adult.
- Stay alert, watch what you are doing and use common sense when operating the machine. Never operate the machine when unwell or tired, or if you have taken alcohol, medicine, drugs or any substances which may slow your reflexes and compromise judgment. A moment of inattention while operating the machine may result in serious personal injury.
- Appropriate Personal Protective Equipment (PPE), **MUST** be worn at all times when operating or repairing the machine. Always wear anti-slip and resistant work footwear and long trousers while using the machine. Do not use the machine when barefoot, wearing sandals or similar lightweight footwear. Do not wear chains, bracelets or clothing that is loose fitting or hanging ties or cords. Tie long hair back. Always wear protective earplugs. Loose clothes, jewellery, or long hair can be caught in moving parts. Protect eyes, face, and head from objects that may be thrown from the unit. Always wear safety goggles or safety glasses with side shields when operating.
- Always keep hands and feet away from all moving parts during operation. Moving parts can cut or crush body parts. Always keep hands and feet away from all pinch points.

Safety Information

Personal Safety (Continued)

- Do not touch parts that might be hot from operation. Allow parts to cool before attempting to maintain, adjust, or service.
- Do not overreach. Keep proper footing and balance at all times. This enables better control of the machine in unexpected situations. Extending your body too far can result in a loss of balance and you may fall which will result in injury.
- Never place any part of your body where it would be in danger if movement should occur during assembly, installation, and operation, maintenance, repairing or moving.
- Keep in mind that the operator or user is responsible for accidents, hazards or unexpected events involving the machine that occur to other people or their property. It is the responsibility of the user to assess the potential risk of the area where work is being carried out. The operator or user must take all necessary precautions to ensure their own safety and that of others, especially on slopes or rough, slippery and unstable ground.

Inspect Your Machine

- Check your machine before starting it. Keep guards in place and in working order. Make sure all nuts, bolts, etc., are securely tightened.
- You must check the general condition of the machine before use.
- Never operate the machine when it is in need of repair or is in poor mechanical condition. Replace damaged, missing, or failed parts before using it. Check for fuel leaks. Keep the machine in safe working condition.
- Do not use the machine if the machine's switch does not turn off the machine when running. Any machine that can't be controlled with the switch is dangerous and must be replaced.
- Regularly check to see that keys and adjusting wrenches are removed from the machine area before starting it. A wrench or a key that is left attached to a rotating part of the machine may result in personal injury.
- If the machine should start to vibrate abnormally, stop the machine and check immediately for the cause. Vibration is generally a warning sign of trouble.
- Avoid accidental starting. Be sure the switch is off before transporting the machine or performing any maintenance or service on the unit. Transporting or performing maintenance or service on a machine with its switch on invites accidents.
- Do not tamper with or disable safety systems.
- Only use manufacturer-recommended attachments.
- Before using, always visually inspect to see that the tools are not worn out or damaged. Replace worn out or damaged elements and bolts in set to preserve balance.
- Keep the machine in good operating condition. Operating the machine in poor or questionable condition could result in serious injury.
- Be sure all safety devices are in working order and warning labels are in place. These items are installed for your safety.

Safety Information

Work Area

- You must only work in daylight or with good artificial light in good visibility conditions. Do not work at night, at times of heavy fog, or at any other times when your field of vision might be limited and it would be difficult to gain a clear view of the area.
- Keep people, children and animals away from the working area.
- Do not work in the rain, when there is a thunderstorm or lightning risk, at times of strong or gale force winds, or at any other times when the weather conditions might make it unsafe to use this product. If there is bad weather conditions, do not use the machine.
- Any liquid spilled on the floor may result in you slipping.
- DO NOT operate power tools in explosive atmospheres, such as in the presence of flammable liquids, gases or dust. Power tools may create sparks, which may ignite the dust or fumes.

During Use

- Do not operate the machine in confined areas where there may be a risk of crushing the operator between the machine and another object.
- Never attempt to make any adjustments, while the machine is running.
- You must switch off the machine:
 - Before checking or working on the machine.
 - When transporting the machine.
 - Whenever you leave the machine unattended.
 - If the machine starts to vibrate abnormally.
- **WARNING!** If something breaks or an accident happens whilst working, you must turn off the machine immediately and move the machine away to prevent further damage. If an accident happens with injuries or third parties are injured, carry out the first aid measures most suitable for the situation immediately and contact the medical authorities for any necessary health care. Carefully remove any debris that might cause damage or harm persons or animals should it not be seen.
- Never operate the machine without the defective guards or shields, or without safety devices, or if the cord is damaged or worn.
- Always make sure that the power cord is not in the way of your work.

Safety Information

Batteries (Where Present)

Batteries present a risk if they become damaged by the possible leaking of electrolyte. This electrolyte is an acid and can cause serious burn injuries. Care should be taken when working on or near them. **NOTE:** the electrolyte may be in a liquid or gel form.

Should you come in to contact with electrolyte you should;

- Remove all clothing contaminated with electrolyte. If you cannot remove then saturate them in water.
- Get medical assistance as soon as possible.

You must advise the medical staff of the type of acid.

- Lead/acid battery = dilute sulphuric acid.
- Nickel/cadmium = potassium hydroxide alkali electrolyte.
- Use fresh running water to wash off excess electrolyte, continue this until medical assistance arrives. Make sure that you do not wash the electrolyte to another part of your body or face.
- If electrolyte comes in to contact with Eyes the electrolyte needs to be immediately washed away with large amounts of water. Make sure that you do not wash the electrolyte to another part of your face or body.
- Gasses from charging batteries are highly flammable and great care should be taken to charge in well ventilated areas.



- There is an explosion risk if the battery terminals are short circuited, when connecting/disconnecting ALWAYS exercise great care so that the terminals or battery leads are NOT allowed to touch and cause a spark. ALWAYS use suitable insulated tools.

Electricity (Where Applicable)

DANGER : ELECTRICITY CAN KILL – NEVER WORK ON LIVE / ENERGISED EQUIPMENT.



- Prior to carrying out any maintenance work you MUST identify electrical isolation methods and isolate all electrical supplies.
- Prior to use and with all electrical supplies isolated, you MUST check all electrical cables, plugs and connectors for the following;
 - Are intact and have no signs of damage, to include but not limited to bare wires, chaffing, cuts and loose wiring.
 - If there are any signs of damage, the damaged item MUST be taken out of service until the damage has been repaired by an electrically competent person.
 - All trailing cables should be routed so as not to cause any kind of trip hazard.
 - NEVER work on or near electricity with wet hands, wet clothing and wet gloves.

Safety Information

Electricity (Continued)

- Power tools plug must match the outlet. Never modify the plug in any way. DO NOT use any adapter plugs with earthed (grounded) power tools. Unmodified plugs and matching outlets will reduce risk of electric shock.
- DO NOT expose this power tool to rain or wet conditions. Water entering a power tool will increase the risk of electric shock. DO NOT abuse the power cord. Never use the cord for carrying, pulling or unplugging the power tool. Keep the cord away from heat, oil and sharp edges or moving parts. Damaged or entangled cords increase the risk of electric shock. When operating a power tool, use an extension cord suitable for outdoor use. Use of a cord suitable for outdoor use reduces the risk of electric shock.
- **IMPORTANT:** Make sure that the electric circuit is fused, and that the power, voltage and frequency of the motor is supported by your mains supply. Also, make sure that your power supply is earthed. Connect your machine to earth. Never open the ON/OFF switchbox. However, if it should become necessary to do so, contact a qualified electrician. Make sure that you will never touch live contacts, specifically when you plug or unplug your machine. This machine and its power cord must never get into contact with water.
- Avoid body contact with earthed or grounded surfaces such as pipes, radiators, ranges and refrigerators. There is an increased risk of electric shock if your body is earthed or grounded.
- To prevent electric shock, use only with an extension cord suitable for outdoor use. For additional protection, the installation of a residual current device (RCD) having a rated residual operating current not exceeding 30mA is advisable.
- Before use, check that the extension cord is in good condition. When using an extension cord, make sure to use one heavy enough to carry the current your product will draw. An undersized cord will cause a drop in line voltage resulting in loss of power and overheating.
- Do not allow any part of the machine to make contact with water while it is in operation. If the appliance becomes wet while turned off, wipe dry before starting. Do not touch the appliance or its plug with wet hands or while standing in water. Wearing rubber boots offers some protection.
- Before use, check the supply and extension cord for signs of damage or aging. If the cord becomes damaged during use, disconnect the cord from the supply immediately. If the supply cord is damaged, it must be replaced by the manufacturer or a qualified person in order to avoid a hazard.

Safety Information

Vibrations (Where Applicable)

- Prolonged use of hand held (operated) machines will cause the user to feel the effects of/from vibrations. These vibrations can lead to white finger (Raynaud's phenomenon) or carpal tunnel syndrome. This condition reduces the ability of the hand to feel and regulate temperature, causing numbness and heat sensations and may cause nerve damage and circulatory tissue death.
- Not all factors that lead to white finger disease are known, but cold weather, smoking and other diseases that affect blood vessels and blood circulation as well as large and long-lasting impact of shocks are considered factors in the formation of white finger. Note the following to reduce the risk of white finger and carpal tunnel syndrome;
 - Wear gloves and keep your hands warm.
 - Take regular breaks.
 - All of the above precautions may help reduce the risk of white finger disease but not rule out the carpal tunnel syndrome. Long-term and regular users are therefore recommended to observe the condition of your hands and fingers. Seek medical attention immediately if any of the above symptoms should occur.

Noise (Where Applicable)

- The operating noise of the machine can damage your hearing. When wearing protection such as earplugs or ear defenders to protect your hearing. Long-term and regular users are advised to have hearing checked regularly. Be especially vigilant and cautious when wearing ear protection because your ability to hear alarm warnings will be reduced.
- Noise emissions for this equipment is unavoidable. Carry out noisy work at approved times and for certain periods. Limit the working time to a minimum. For your personal protection and protection of people working nearby it is also advisable for them to wear hearing protection.



- See Certificate of Conformity section for Outdoor Noise declaration of conformity.

Residual Risks

Even when tool is used as prescribed it is not possible to eliminate all residual risk factors. The following hazards may arise in connection with the tool's construction and design:

1. Damage to lungs if an effective dust mask is not worn.
2. Damage to hearing if effective hearing protection is not worn.

Health defects resulting from vibration emission if the power tool is being used over longer period of time or not adequately managed and properly maintained.

Safety Information

Intended Use

Intended Use

The HYDAP900E is a Dual Action Orbital polisher from HYUNDAI, powered by a 900W motor. The HYDAP900E uses a 150mm quick change Hook & Loop Polishing head, with a Dual Action operation. A variable speed dial controls the RPM of the machine from 1500rpm to 4500rpm. The HYDAP900E is intended to be used as a Polisher and Buffer.

User Types

The HYDAP900E is intended for use by consumers and amateurs. Intended to be used in a "DIY" or domestic setting, and not professionally. Any professional use will result in voiding of warranty.

Improper Use

Any other usage not in keeping with the above mentioned may be hazardous and harm persons and/or cause damage to property. Improper use will void any warranty for this product.

Safety Information

Personal Protective Equipment

Appropriate Personal Protective Equipment (PPE), MUST be worn at all times when operating or repairing the machine. No protective equipment can ensure 100% protection.

When selecting PPE, make sure it's CE marked and it suits the user in terms of size, fit, etc. If more than one item of PPE is worn at the same time, make sure they can be used together, e.g. wearing safety glasses may disturb the seal of a respirator, causing air leaks.



Hand Protection Must Be Worn

Protective electrically non-conductive gloves are highly recommended when working.



Foot Protection Must Be Worn

Non-skid heavy duty footwear are highly recommended when working.



Hearing Protection Must Be Worn

Suitable safety hearing protection is recommended.



Eye Protection Must Be Worn

Always wear safety glasses/goggles and/or face shields. Everyday eyeglasses have only impact resistant lenses; they are not safety glasses/goggles.



Protective Clothing Must Be Worn

Do not wear loose clothing, gloves, scarfs, neckties or jewellery (rings, wrist watches), which can be caught in moving parts.



Head Protection Must Be Worn

Wear a safety helmet with a safety visor.



Face Shield Must Be Worn

Wear a face shield to protect your face.









Respirator Must Be Worn

Wear a respirator.

Safety Information

Symbols On The Machine

We have provided safety messages in this manual and on the machine. This information alerts you to potential hazards that could hurt you or others. Please read these messages carefully. However, we may not have listed all of the possible hazards, you must also use your own judgement.

Symbol	Description	Symbol	Description
	Safety alert – Indicates a precaution, a warning or a danger.		Class II tools symbol.
	The UKCA (UK Conformity Assessed) marking is a UK product marking that is required for goods being placed on the market in Great Britain (England, Wales and Scotland).		Sound power level LWA data in dB.
	This product should not be disposed of in domestic waste. Please contact your local recycling centre for disposal service.		This product complies with the European directives and an evaluation method of conformity for these directives was done.

Unboxing

⚠ WARNING : Unboxing and assembling the machine should be done on a flat, surface with enough room. Disposal of the packaging should be done in accordance with the local regulations in force.

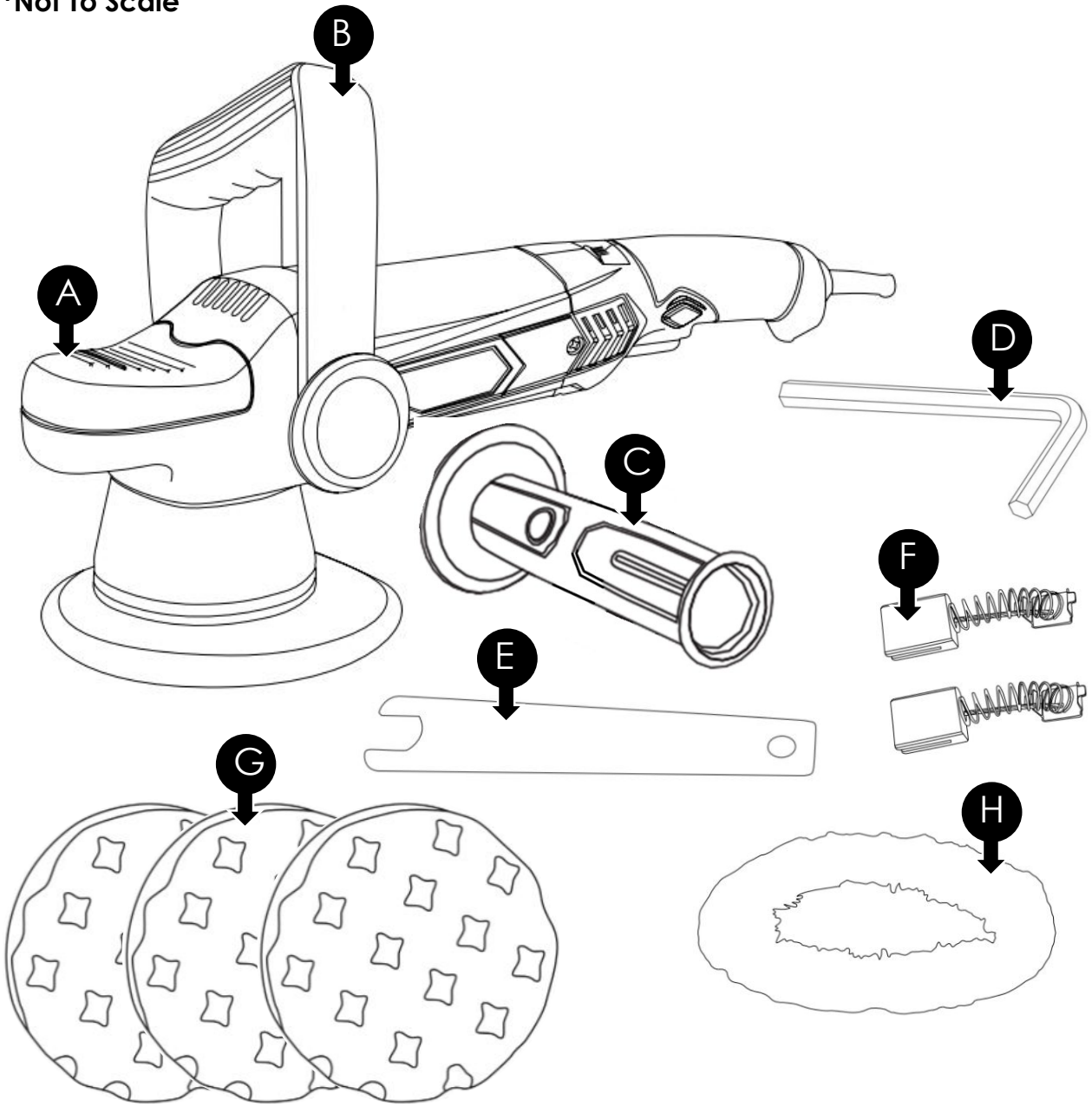
⚠ WARNING : Some of the packaging material may be harmful to children. Keep out of reach of children.

1. Carefully remove the product from the packaging and examine it for any sign of damage caused during shipping.
2. Lay the contents out and check them. If any part is damaged or missing, you must not use the machine. Contact HYUNDAI POWER PRODUCTS immediately.
3. You must keep the packaging material in case the machine needs to be returned or repaired.
4. Ensure that you have all the accessories and tools you need for assembly and operation including the suitable personal protective equipment.

We recommend that you fill out the information in the 'Product Record' section. If you need to contact an authorised dealer or customer service, you may need to provide this information.

In The Box

*Not To Scale



A Machine Body

B D-Type Handle

C Auxiliary Handle

D Hex Key

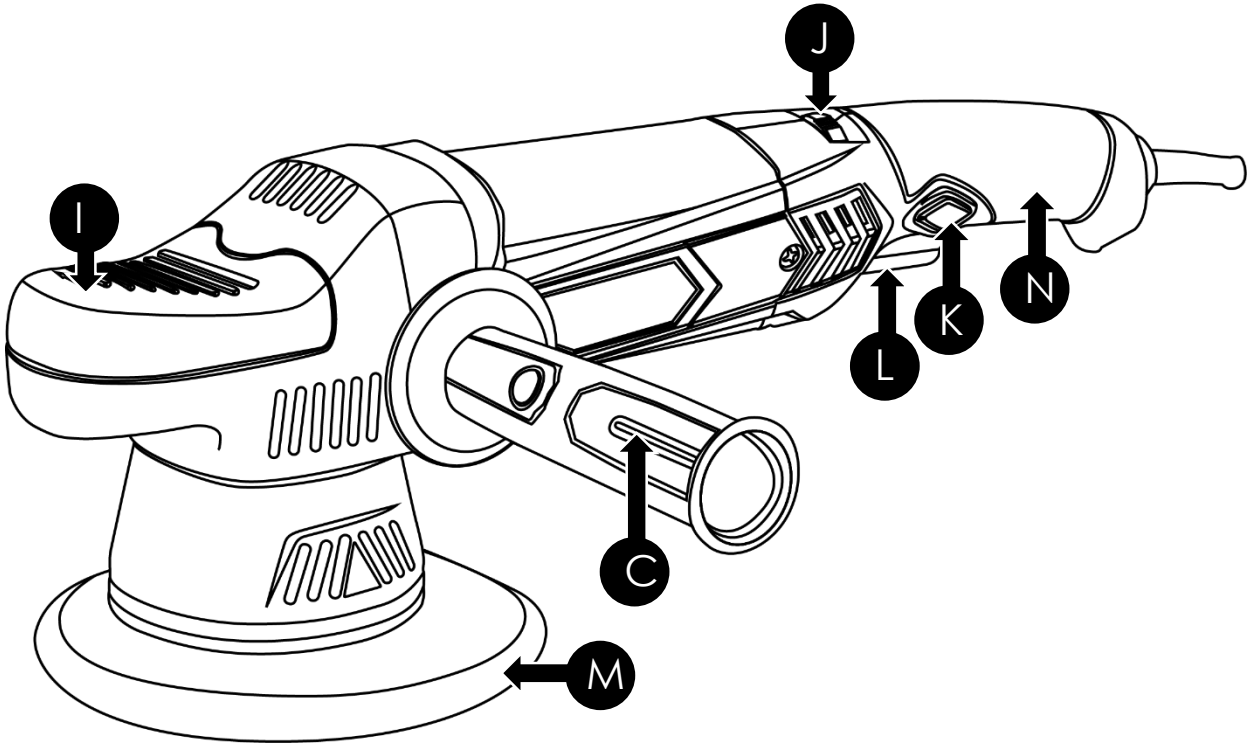
E Spindle Wrench

F Spare Carbon Brushes

G Polishing Pads

H Wool Bonnet

Features



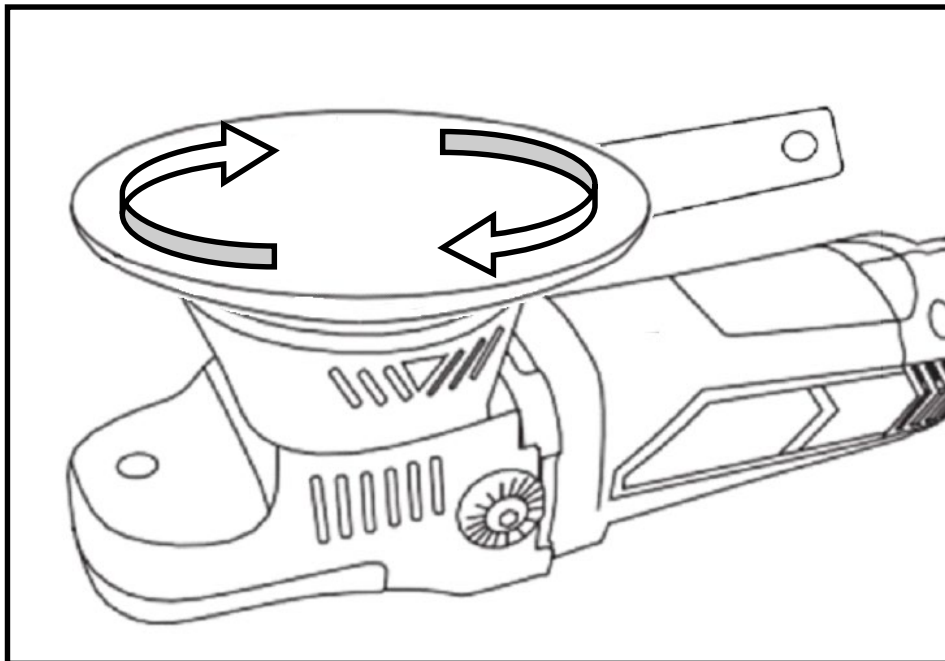
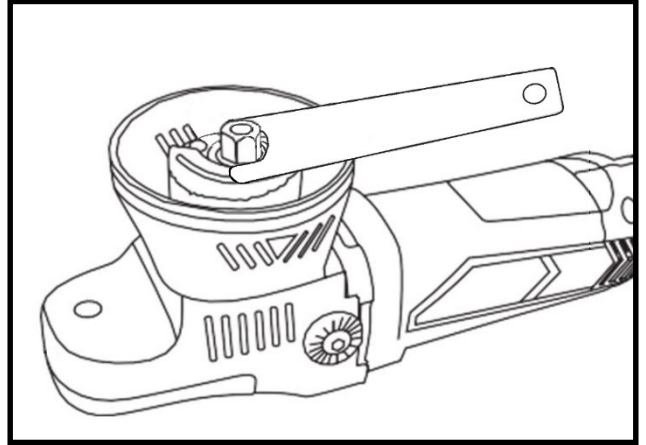
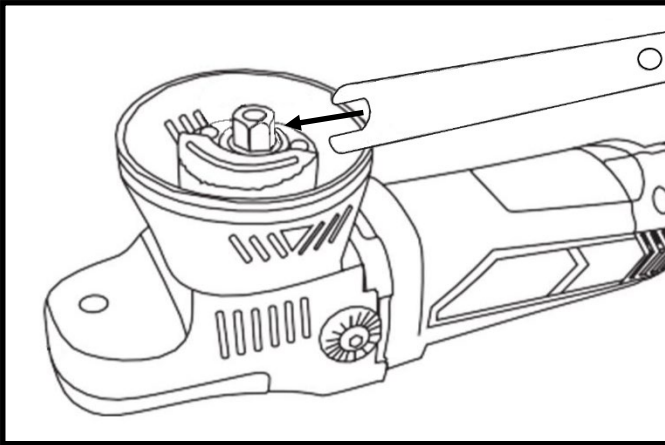
- C Auxiliary Handle**
This or the D-type handle are held at the users preference to the Front Palm Rest.
- I Front Palm Rest**
This palm rest is used when neither the Auxiliary or D-type handles are attached. The machine **MUST** be operated with 2 hands at all times.
- J Speed Adjustment Dial**
Changes the speed in which the Polisher head spins.
- K Power Safety Switch**
Pressed before the On/Off Trigger to ensure no accidental starting.
- L On/Off Trigger**
This starts the machine.
- M 150mm Hook & Loop Polishing Head**
This Polishing head uses Hook & Loop so the pads can easily be installed and taken off.
- N Rear Handle**
Textured rear handle for comfort and grip.

Assembly

Step 1 : Polishing Head Installation

⚠ WARNING! Ensure the machine is NOT plugged into a mains power source during these steps.

1. Line up the included spanner to the spindle of the HYDAP900E.
2. Whilst holding the spanner firmly against the spindle, attach the Polishing Head using a Clockwise rotation. Rotate until tight.



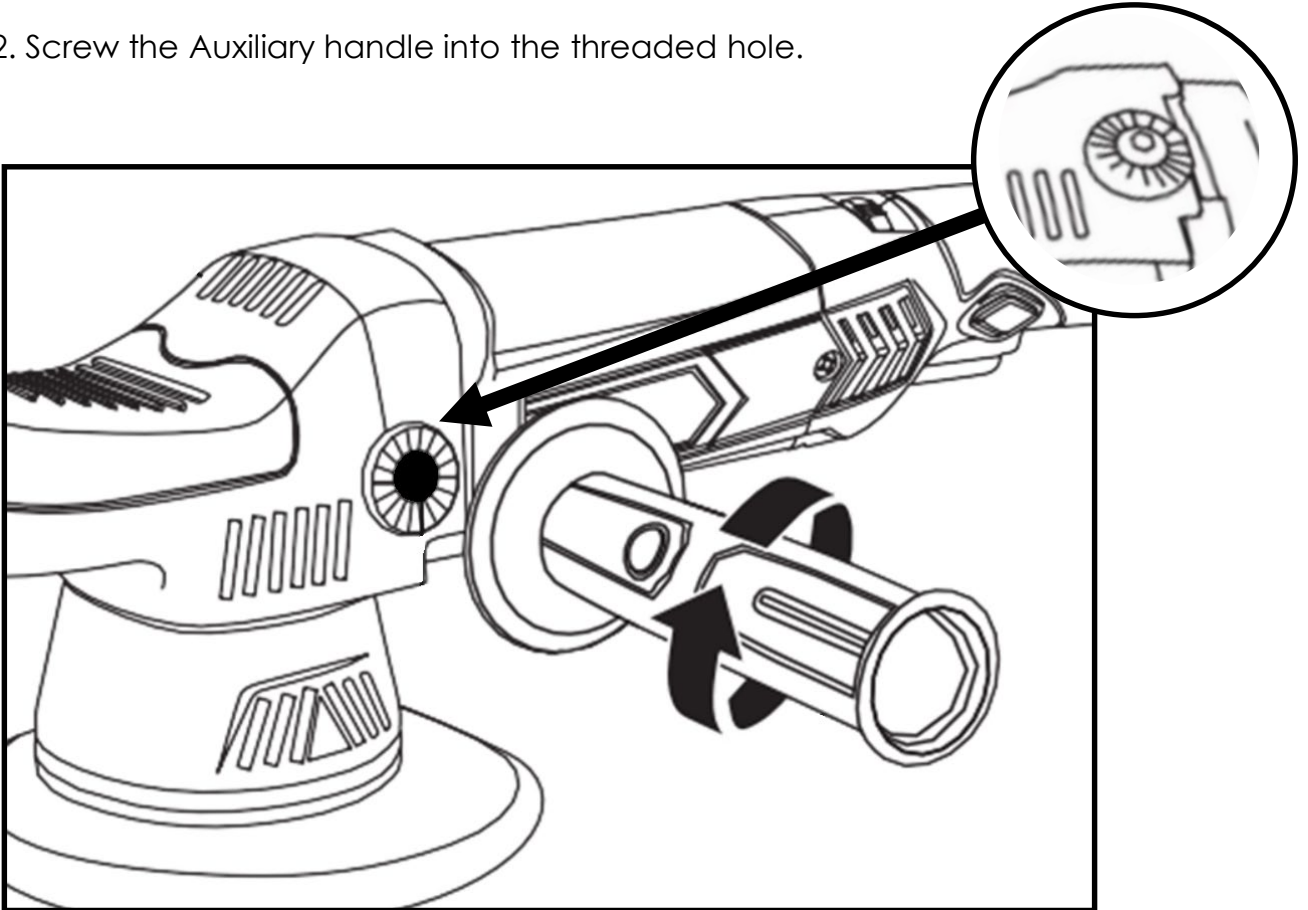
Assembly

Step 2 : Auxiliary Handle Configuration

! The machine can be used without attaching the handles. Simply use the Front Palm rest.

Ensure the machine is unplugged from a power source during these steps:

1. Using the included hex key, remove the bolt on the side of the machine you want the handle.
2. Screw the Auxiliary handle into the threaded hole.

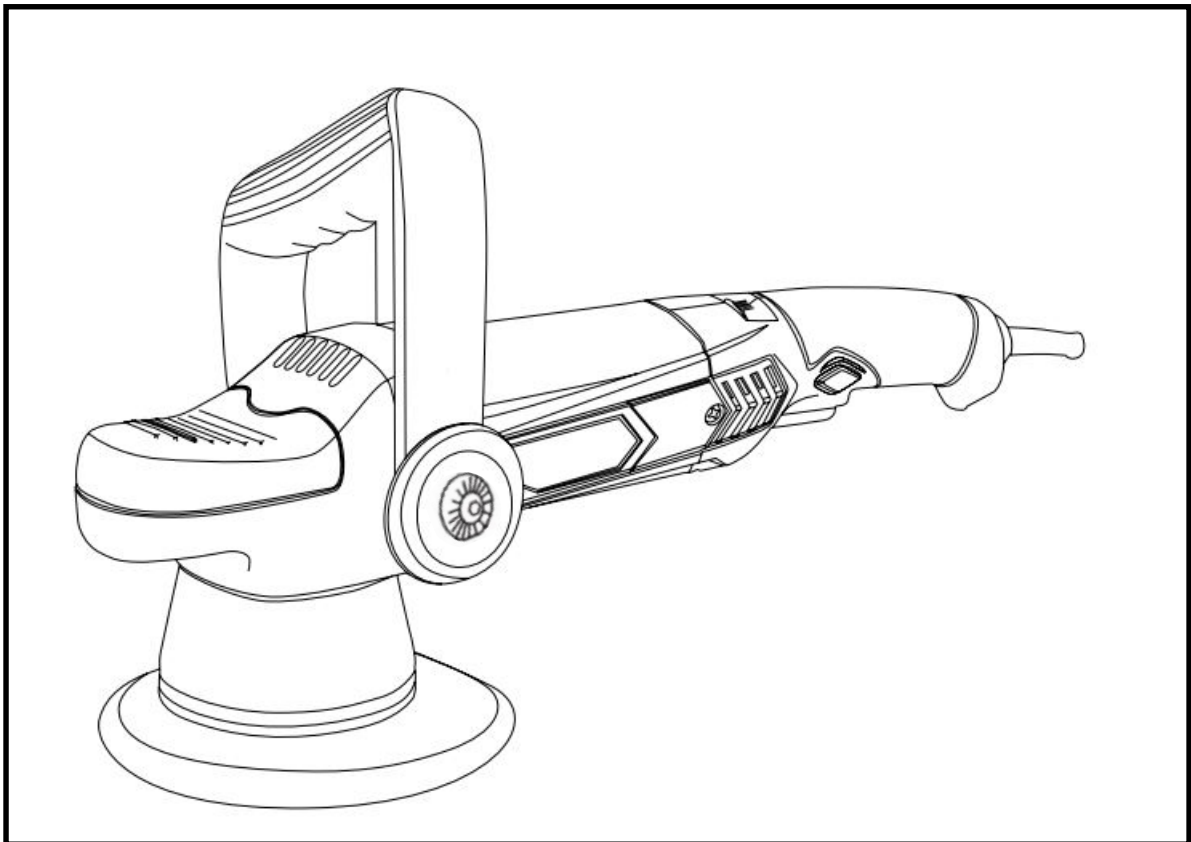


Step 3 : D-Type Handle Configuration

Ensure the machine is unplugged from a power source during these steps:

1. As with the previous step using the included hex key, remove **BOTH** the bolts on each side of the machine.
2. Position the D-type handle over the threaded holes, then re-insert the bolts to secure the handle.

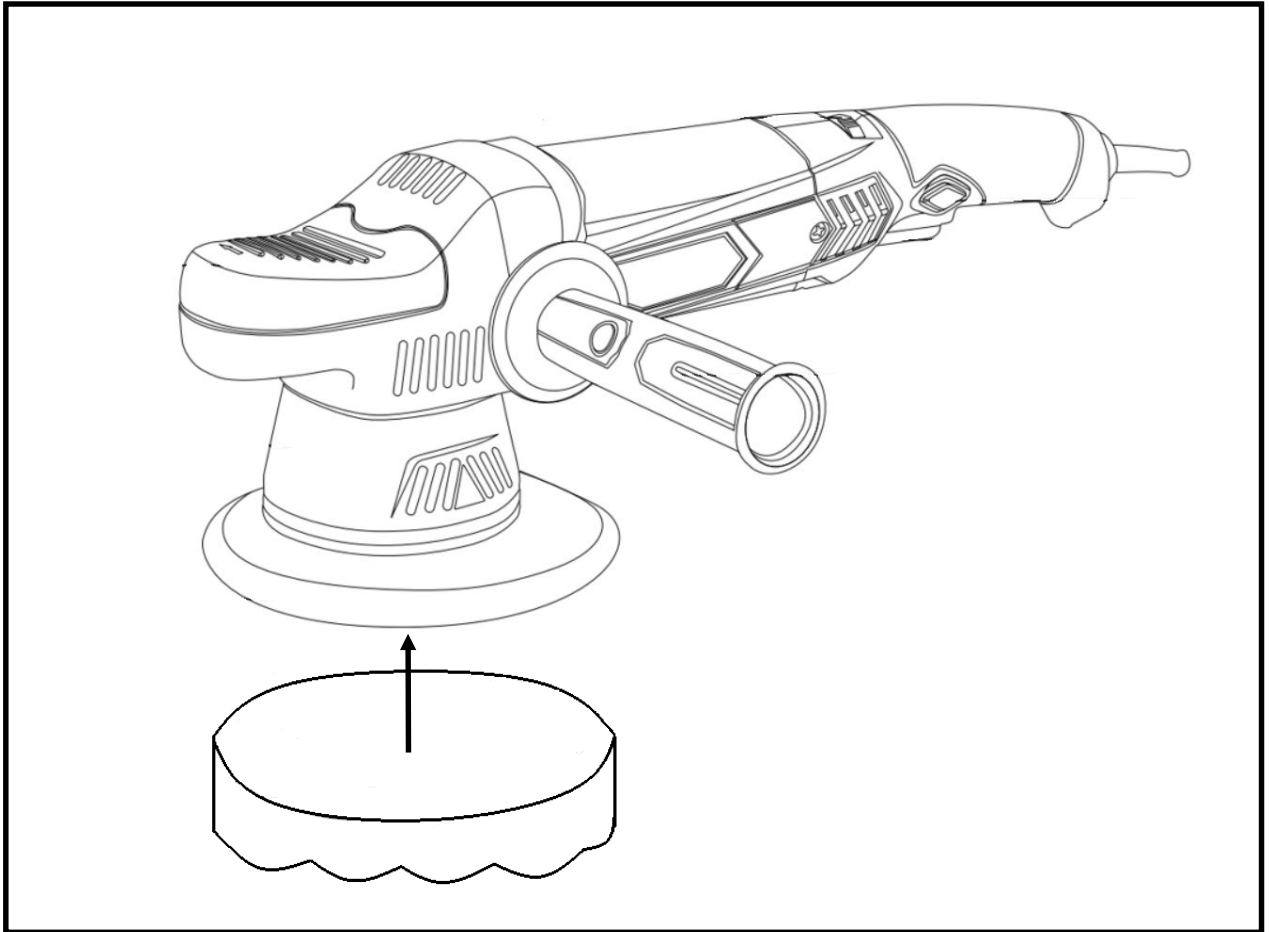
! The D-type handle angle can be changed, just loosen the bolts and move the handle to favoured position. Then re-tighten the bolts.



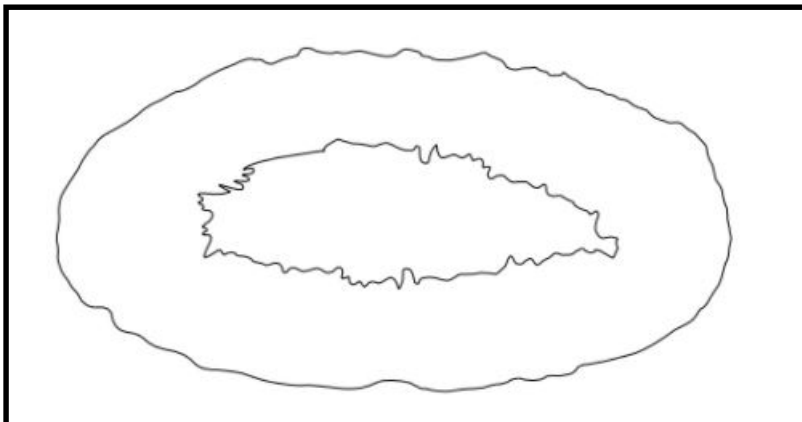
Assembly

Step 4 : Attaching Polishing Pads

The Polishing pads are secured using a Hook and Loop system. Simply line up the edges on the flat side of the pad, to the Polishing Head and press together. When you want to remove, pull the polishing pad away from the machine.



The Wool Bonnet is meant to be used with older types of paint. **BE CAREFUL** if using this as it can cause a lot of damage. This goes over the polishing pads, and secured with a knot.

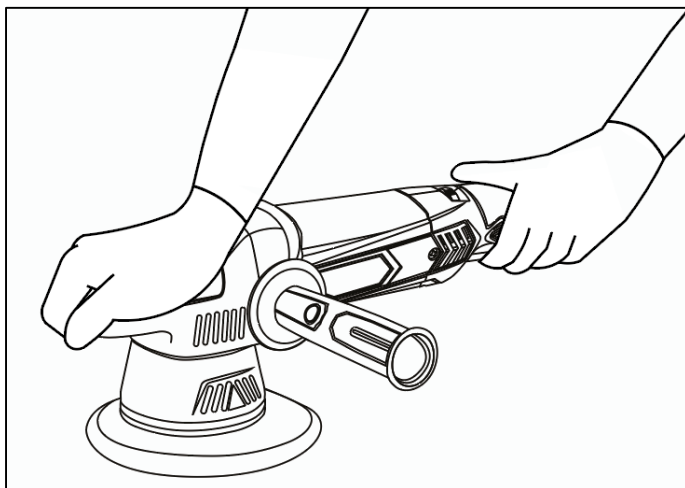


Operation

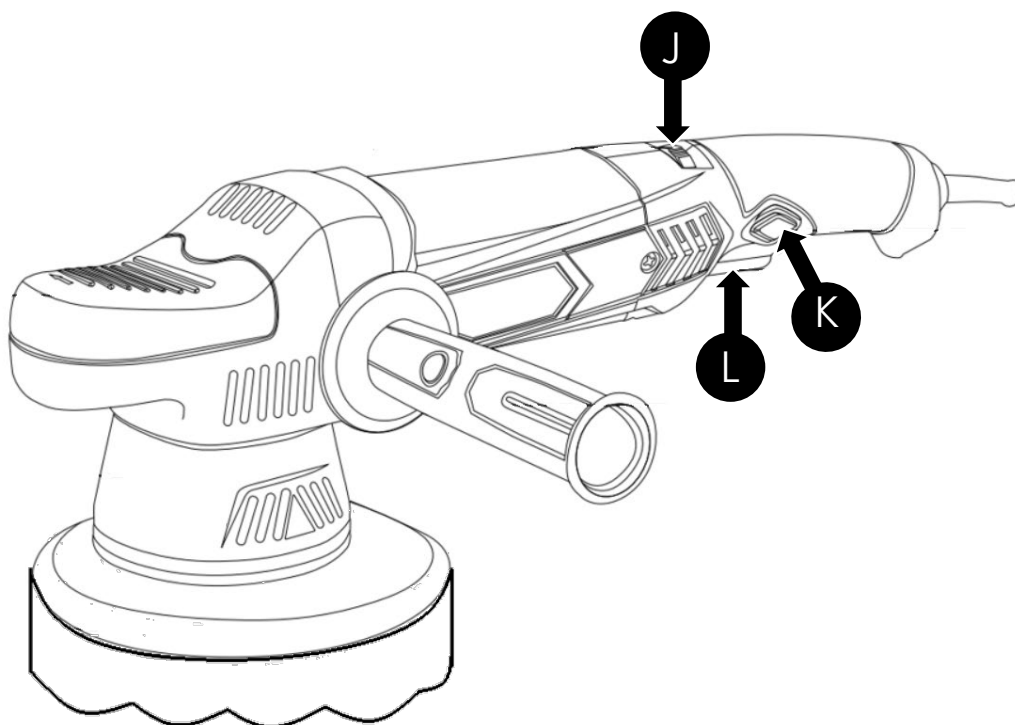
Starting and Stopping

⚠ WARNING! When plugging in the HYDAP900E, ensure the power supply switch is off.

⚠ WARNING! Ensure correct PPE is worn whilst operating thing machine (Eye Protection and Gloves). Always hold the machine with 2 hands. With 1 hand on the Rear Handle, another on the Front Palm Rest, Auxiliary or D-type handles.



1. Firstly ensure the setting on the **Speed Adjustment Dial (J)** is set to MIN.
2. Press the **Power Safety Switch (K)**.
3. Whilst holding the **Power Safety Switch (K)**, press the **On/Off Trigger (L)**, the machine will now start.



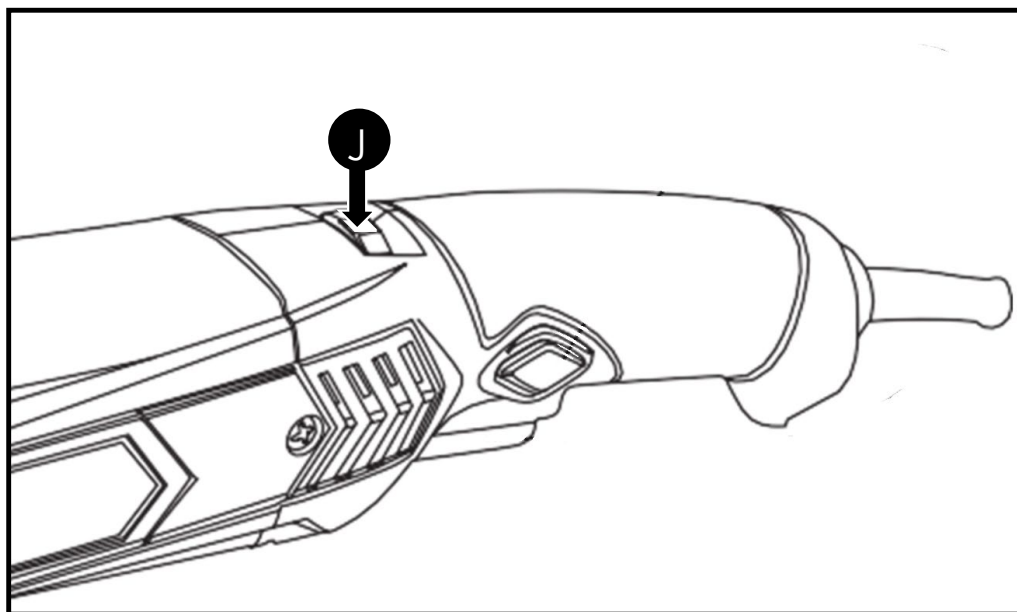
Operation

Adjusting Machine Speed

⚠ WARNING! Ensure correct PPE is worn whilst operating this machine (Eye Protection and Gloves). Always hold the machine with 2 hands. With 1 hand on the Rear Handle, another on the Front Palm Rest, Auxiliary or D-type handles.

ⓘ Ensure the machine speed is set to 1 before starting.

When a different speed is required for the HYDAP900E, simply rotate the **Adjustment Dial (J)** to the required speed.



⚠ WARNING! High Speed operation can generate heat and friction. This can potentially cause damage to the paint finish.

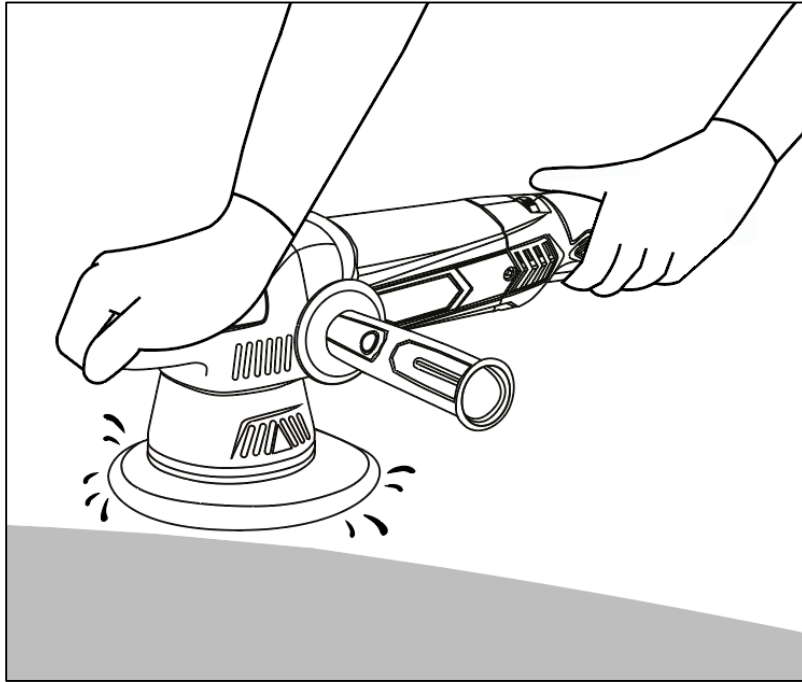
Selected Speed	Application
Min	Spreading Compound / Buffing
1	Waxing / Buffing
2	Waxing / Polishing
3 & 4	Polishing / Cutting
5	Polishing / Cutting on Even Surfaces
Max	Heavy Cutting on Even Surfaces

Operation

Operation Tips

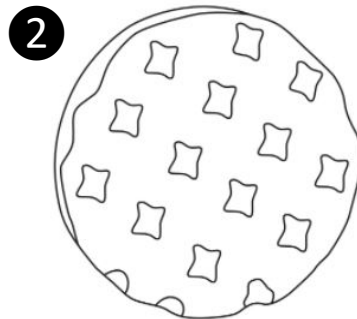
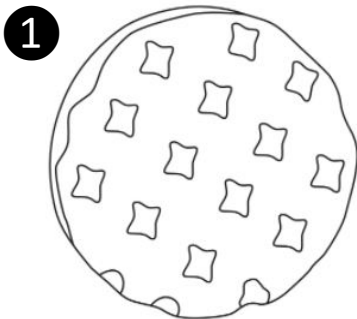
Machine Movement

When using the HYDAP900E, **NEVER** lift the machine off the work surface at full speed. This will cause the product you're using to fling off the pad. Instead wait for the machine to slow down to a stop and then remove.



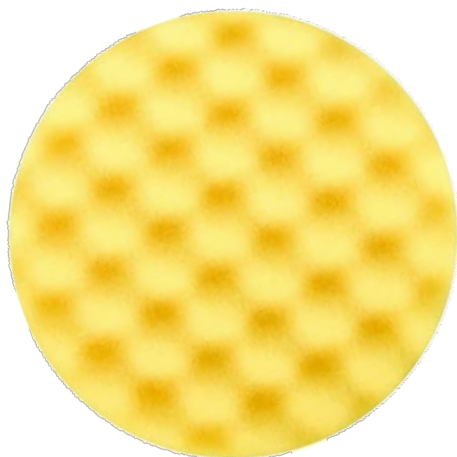
Cross Contamination

When using different Polishing pads, it's also important to use different buffing cloths (buffing clothes not included). This will prevent contaminating a cutting compound with a wax.



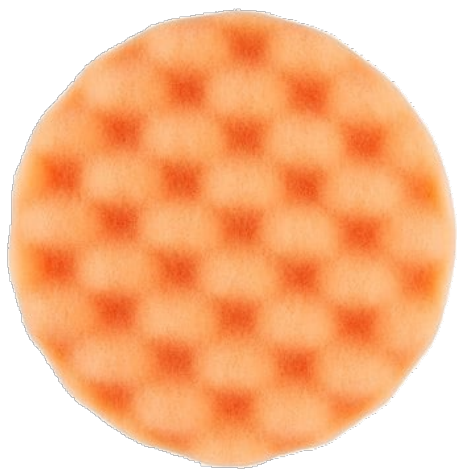
Different Pad Uses

⚠ WARNING / Disclaimer! These Tips and Tricks are only suggestions, NOT instructions. Any damage caused using the machine is the users responsibility, and not that of Hyundai Power Products or Genpower Ltd"



Yellow Pad - Cutting Pad

The Yellow pad is used with cutting compounds. These are the most aggressive products using high levels of abrasive. A stiff pad which provides compounds firm support when penetrating the outer layers of the work surface. It's recommended to do 2-4 passes with this pad, depending on paint condition and compound used.



Orange Pad - Polishing Pad

This pad will be used with polishing compounds, which will really start to enhance a surfaces finish. Softer than the Yellow, it helps to provide compounds a more flexible foundation to apply product. Completing 2-3 passes with pad will be sufficient depending on the products used.



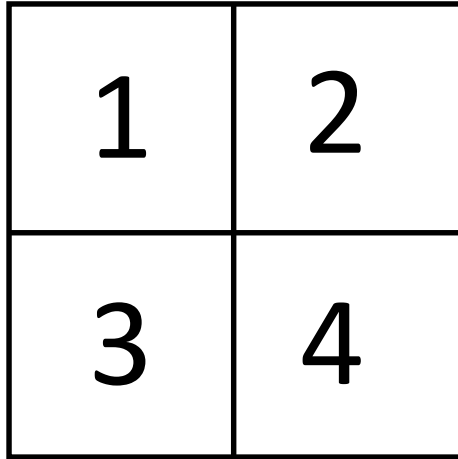
Black Pad - After Care Pad

Used with wax's and other after care products, the black pad really helps to massage products into the creases of a work surface. It is the softest of the pads provided, providing a soft and gentle application of products. This pad requires to least amount of work, 1-2 passes with an after care product should product ample protection.

Operation

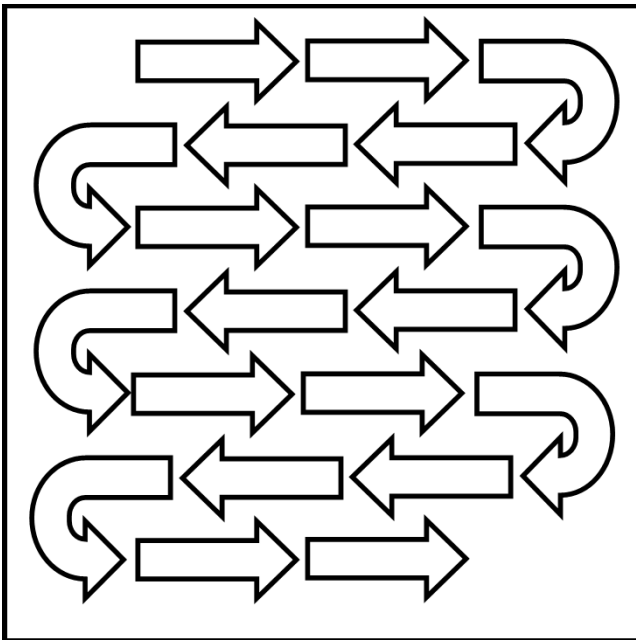
Polishing Technique

When using the HYDAP900E, it's wise to break up the work area into smaller sections. Doing this enables coverage of whole work surface.

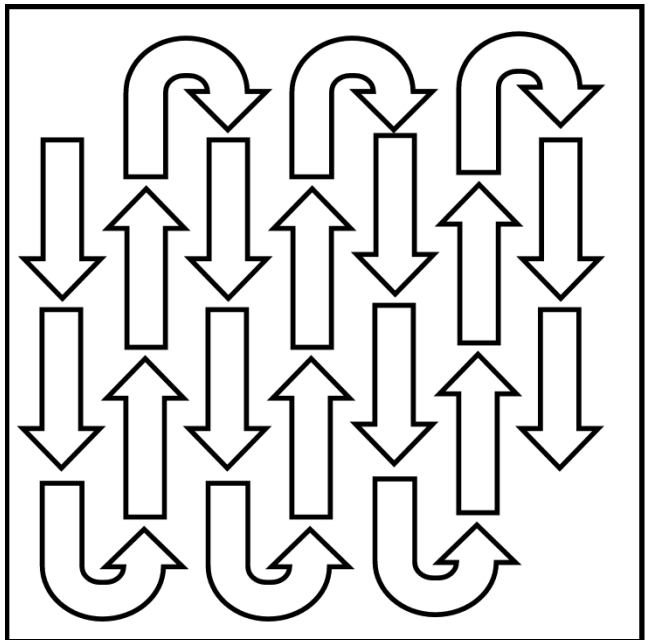


When using the HYDAP900E, follow a consistent pattern, this ensures consistent coverage. When following the pattern, complete the Horizontal, then the Vertical pattern; This is classed as 1 "pass". Different amounts of passes will need to be undertaken for each polishing pad, at different speeds.

Horizontal Pattern



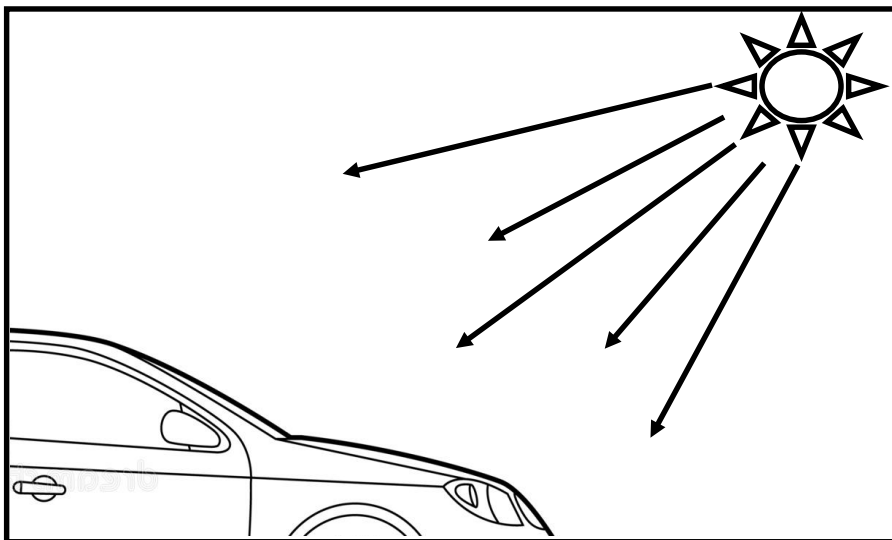
Vertical Pattern



Tips and Tricks

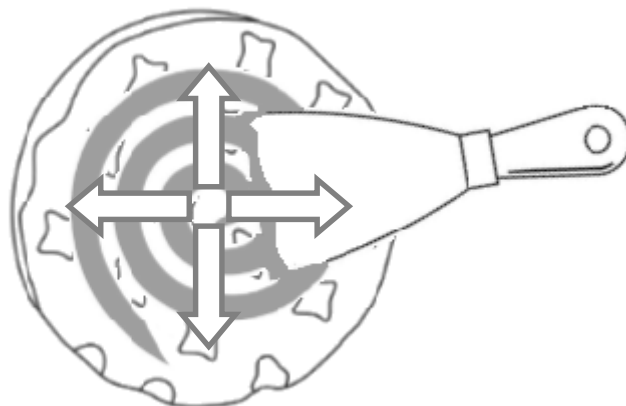
⚠ WARNING / Disclaimer! These Tips and Tricks are only suggestions, NOT instructions. Any damage caused using the machine is the users responsibility, and not that of Hyundai Power Products or Genpower Ltd"

NEVER use the HYDAP900E in direct sunlight. Hot operating conditions are likely to damage any paint due to excess heat.



Polishing Pad Priming

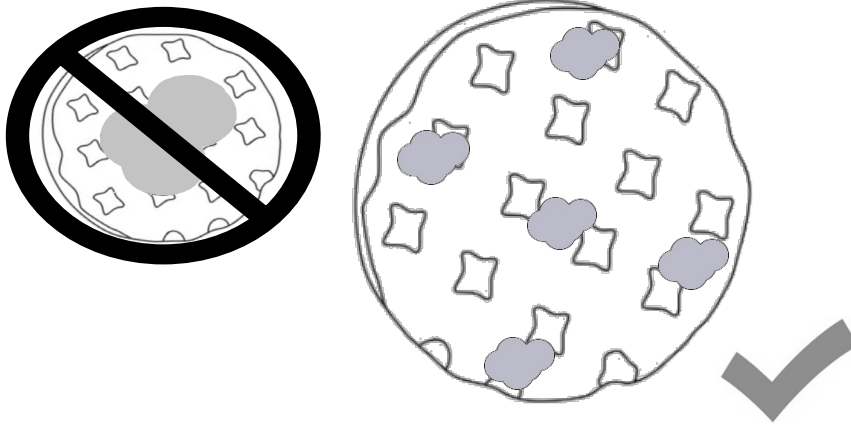
When polishing large areas, priming the pad can be a good idea; this prevents the polishing pad from drying out. To Prime the pad, apply a swirl of product around the whole pad, then message into the pours using something like a paint scraper.



Operation

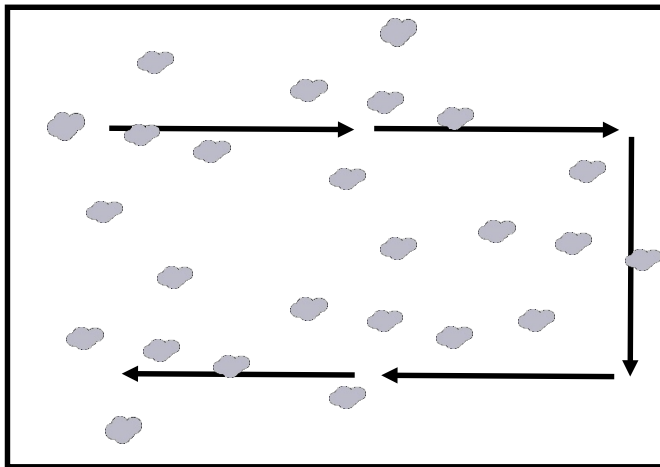
Product Application

Apply your product thoroughly in different areas of the Polishing Head, instead of applying a lot of compound in a single area.



Spreading the Compound

When you have applied compound to the Polishing Head, pat the machine around the work surface to initially spread the product. Then do a quick pass just to evenly coat the work area.



Maintenance & Care

General Maintenance

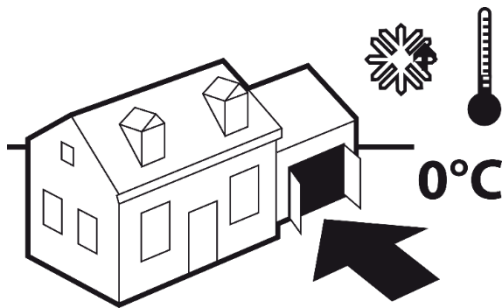
⚠ WARNING : Turn OFF the machine, allow all moving parts to come to a complete stop, and disconnect the power cord before maintaining the machine. You need to wear proper clothing and protective gloves whenever your hands are at risk.

- Keep all nuts, bolts and screws tight to be sure the machine is in a safe working condition.
- Replace worn or damaged parts for safety. Only use manufacturer-recommended parts and accessories.

Storage

⚠ Keep the machine stored in a dry, level area away from damp, moisture and rain fall. Allow the machine to cool down before storing.

- Make sure the machine is clean and dry before storing.
- Ensure the machine is stored in a position, where any persons cannot step on, to attempt to reach items up high, due to risk of movement.
- DO NOT store the machine near an ignition source, such as a wood stove, gas or electric heater, or an appliance or heater with a pilot light.
- Store the machine out of reach of children or anyone who is not familiar with operation.
- DO NOT stack other items on top of the machine when in storage.
- Make sure the machine is stored away from direct sunlight. Store indoors or in a safe, frost-free area during severe weather and winter months.



Maintenance & Care

Cleaning

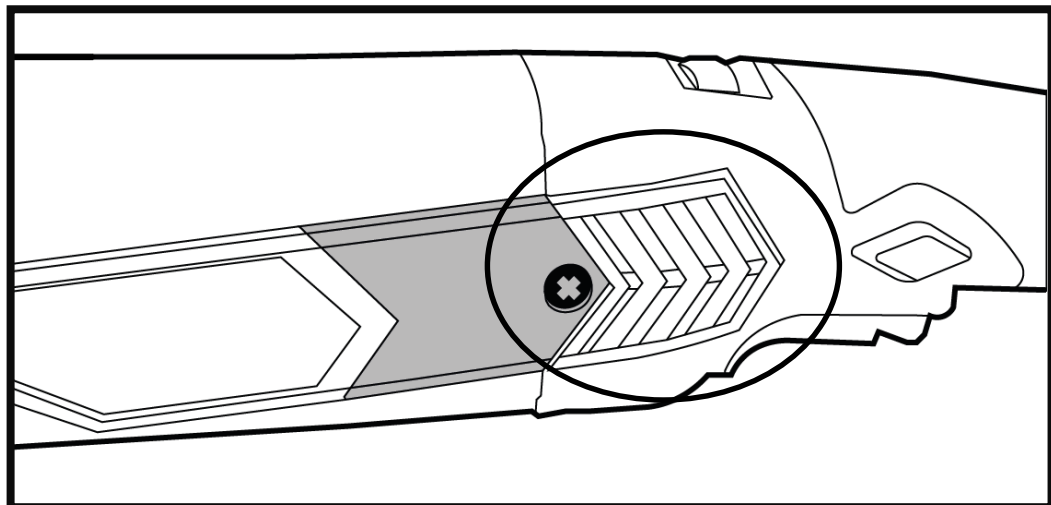
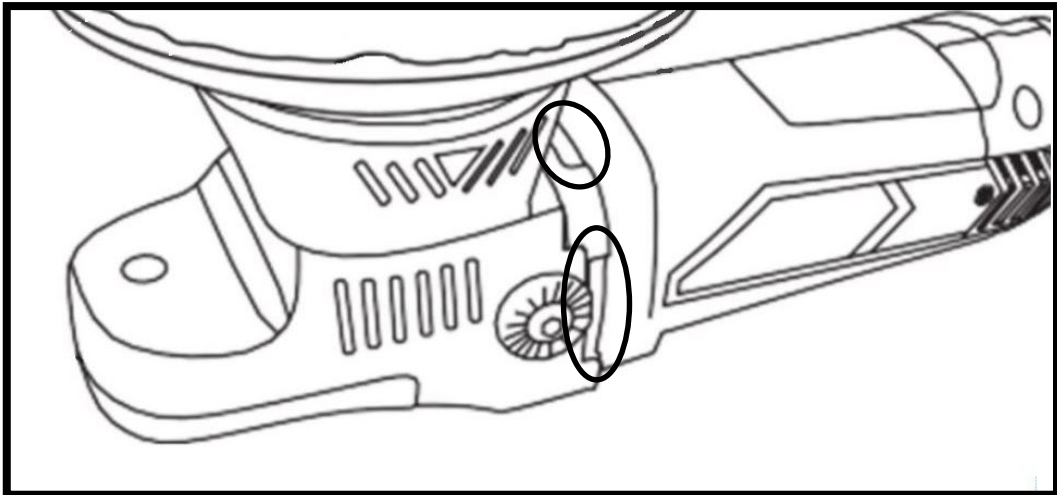
⚠ WARNING! Never clean the machine with Petrol and other fuels, or cleaning products containing :

- Carbon Tetrachloride
- Chlorinated cleaning solvents
- Ammonia

These substances will damage the plastic of the HYDAP900E

Cleaning the Vents

Ensure any dust or debris is not blocking the air vents. These help the motor breathe during use, which helps with cooling. **DO NOT** clean these with water or any liquid. Compressed air or a vacuum cleaner would be the best means to clean. If cleaning with compressed air **YOU MUST** wear correct PPE.



Maintenance & Care

Carbon Brushes

⚠ WARNING! When carrying out this type of maintenance, the machine must be unplugged from mains power.

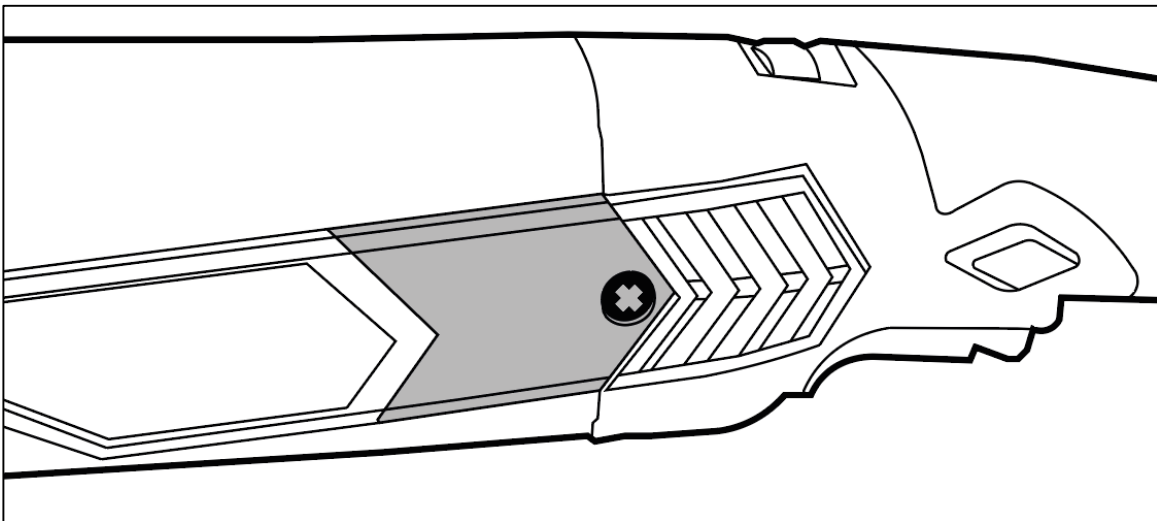
Routine Examination

Check the carbon brushes every 2-6 months depending on usage. If the brushes have visibly low material, they will to replaced.

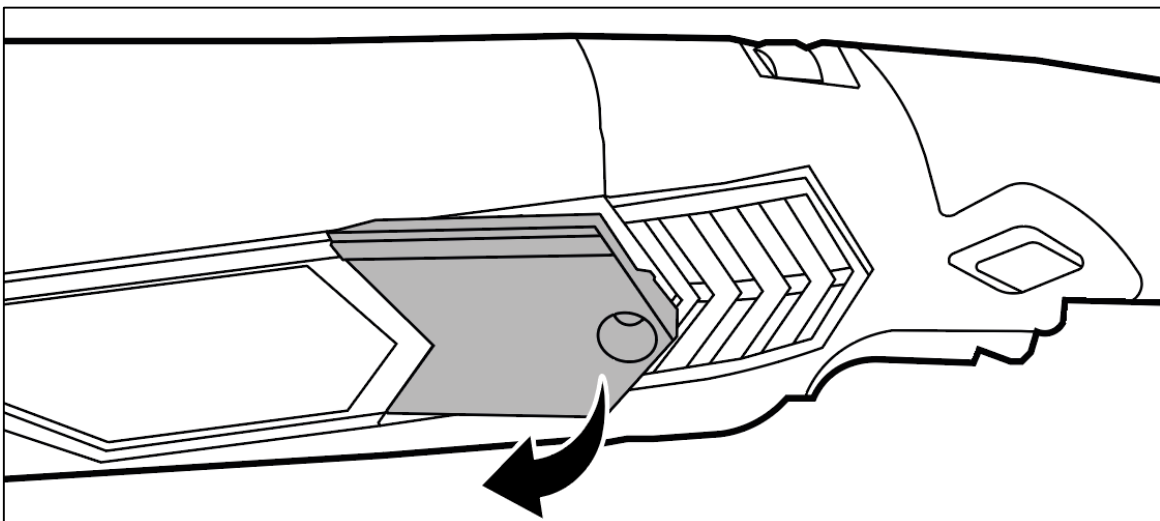
Carbon Brush Replacement

ⓘ You **MUST** repeat these steps on both sides of the machine.

1. Take out the screw on the side of the machine.



2. Open and remove the Carbon Brush door.

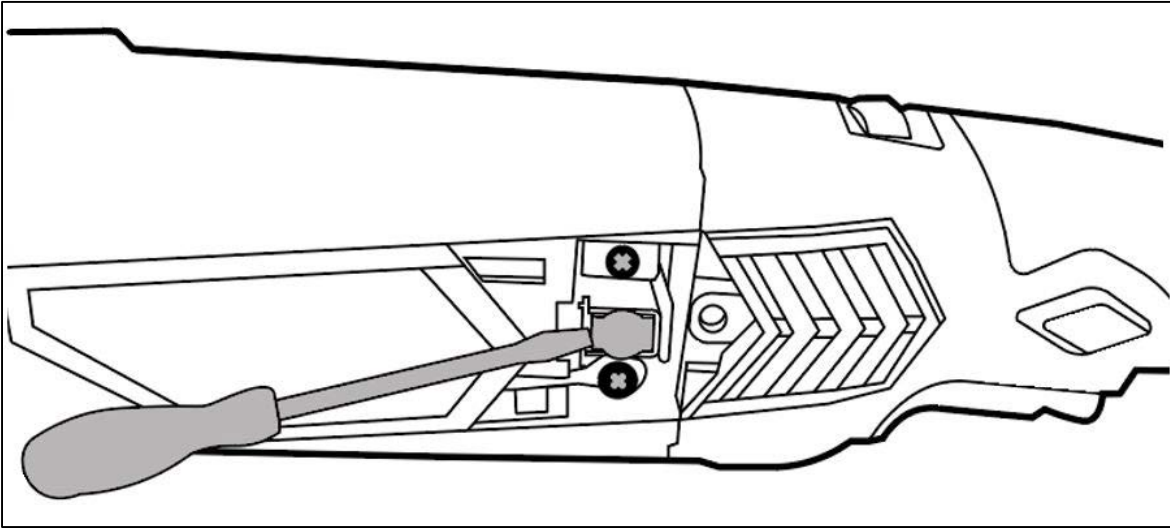


Continued on next page 

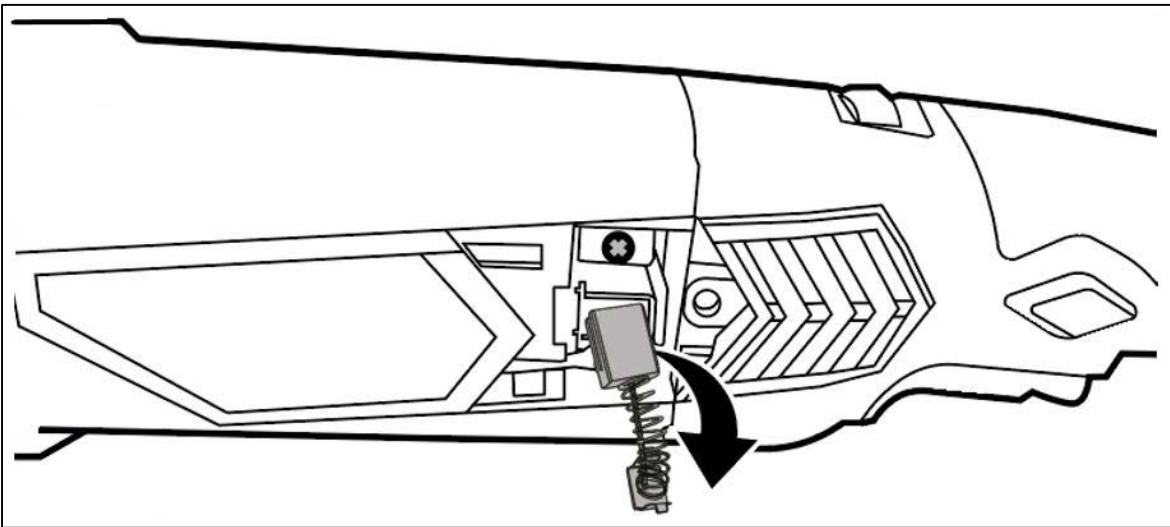
Maintenance & Care

Carbon Brushes (Continued)

3. Place a flat blade screw driver to help pry out the carbon brush



4. Now remove the Carbon Brush.



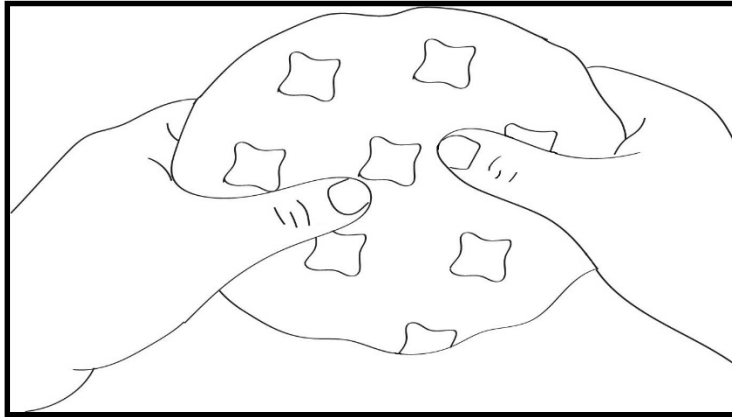
5. Replace the brushes with those included. The brushes are grooved on one side to ensure correct installation.

Repeat the steps in reverse to fit the replacement brushes, remembering to repeat on both sides.

Cleaning Polishing Pads

Wash and Rinse

Using warm water, rinse and massage your pad. You can then apply dish soap, or an automotive all purpose cleaner. Ensure you massage in cleaner to the pores of the pad. Rinse the pad a second time and allow to air dry.



Washing Machine

You can also put your polishing pads in to a domestic washing machine; using regular detergent. It's advised the pads are washed alone, with no other laundry. Also use a low heat setting to make sure the hook and loop pad doesn't separate from the foam. Allow these to air dry.

Technical Data

Specification

Model	HYDAP900E
Voltage	230V
Frequency	50Hz
Power Input	900W
Power Output	750W
Spindle Thread Size	5/16" Inch
Dual Action Orbit	16mm
Polishing Head Diameter	150mm
No Load Speed	1500-4500rpm

Recycling & Disposal

Recycling & Disposal

We do not offer a takeback scheme for the recovery of Waste Electrical Electronic Equipment (WEEE) & Batteries. Instead the responsibility to dispose of WEEE and/or Batteries is passed onto you by us.

So when it becomes necessary to dispose of your machine you must take it to your local Civic Amenity Site. For further information please contact your local Authority for disposal advice.

You **MUST** make sure that all unused oil and fuel is disposed of correctly either beforehand or at your local Civic Amenity Site.

- Under NO circumstances must any fuel or oil be put down any drains.
- Certain products contain WEEE waste which should not be disposed of in your domestic waste.
- You **MUST** recycle WEEE in accordance with your local authority or recycling centre.
- Certain products contain batteries which should not be disposed of in your domestic waste.
- You **MUST** recycle batteries in accordance with your local authority or recycling centre.
- Unwanted packaging and materials should be stored and taken to a recycling centre so it can be disposed of in a manner which is compatible with the environment.

We are a Member of the VALPAK National Compliance Scheme and our registration number is RM08660. For further information about disposal please contact your Local Authority.

You can also get more advice and guidance about recycling at the following website <http://www.recycle-more.co.uk>

Should you pass this product on to another user either sold or loaned, you **MUST** pass on this user manual. This will make sure that all other users can use and maintain this machine safely.

Environmental Protection

1. Environmental protection should be a priority of considerable importance when using the machine, for the benefit of both social coexistence and the environment in which we live. Try not to cause any disturbance to the surrounding area.
2. You must comply with local regulations and provisions for the disposal of packaging, oils, fuel, filters, damaged parts or any elements which have a strong impact on the environment. This waste must not be disposed of as normal waste. It needs to be separated and taken to specified waste disposal centres where the material will be recycled.
3. You must comply with local regulations for the disposal of waste materials after mowing.
4. When disposing, do not pollute the environment with the machine, but hand it over to a disposal centre, in accordance with the local laws in force.

Declaration Of Conformity

Importer and Authorised Representative

Genpower Ltd
Isaac Way, Pembroke Dock, SA72 4RW

Country of Origin: China

Description: Dual-Action Polisher

SKU Code: HYDAP900E

Date of Issue: 29/07/2021

Regulations and Directives of Compliance

- 2014/42/EC The Machine Directive
- 2014/30/EU EMC Directive
- 2011/65/EU RoHS

Statement of Declaration

We the importer and authorised representative of the product described confirm conformity within the provisions of applicable regulations and directives listed within this document.

Signed on Behalf of Genpower Ltd

Place of Issue: Genpower Ltd

Signatory Name: Roland Llewellyn

Position: Managing Director

R J Llewellyn
.....



Notes

Notes

Useful Information

Check Out Our YouTube Channel

Our videos on YouTube include:

- Unboxing
- Assembly of your machine
- How to service your machine
- Products in use
- 'How To' videos
- Product features

Go to YouTube and search '**Hyundai Power Products**'.

Warranty

Proof of purchase will be required before you make a warranty claim. Full warranty terms and conditions can be found on the HYUNDAI POWER PRODUCTS website:

www.hyundaipowerproducts.co.uk

Manual Updates

Our manuals are constantly being reviewed and updated. Should you find an error, omission or something unclear, please contact us for assistance. We reserve the right to make any modifications without prior notice whenever necessary. Our latest manuals are also placed online. All our manuals can be downloaded at:
www.hyundaipowerproducts.co.uk

Returning Your Product

If you are returning your product, please contact the dealer for their returns policy.

Leaving A Review

We work very hard to give all of our customers the best possible service. If you have any problems, before leaving negative feedback, please contact us to give us a chance to resolve the issue. We would be delighted if you left us positive feedback! To leave a review, please go to:

uk.trustpilot.com/review/hyundaipowerequipment.co.uk

Ordering Spare Parts

You can find the spare part you are looking for at **power-spares.co.uk**

Product Record

Information

As soon as you have purchased the machine, we recommend that you fill out the following. If you need to contact an authorised dealer or customer service for information on servicing, you may need to provide the following information.

Date Of Purchase:.....

Dealer Name:.....

Dealer Phone:.....

Model Number:.....

Serial/Batch Number:.....

Contact Us

Need Help? Talk To Our Experts

Our friendly aftersales team will be more than happy to help you.



Phone

Call our team on 01646 687 880



Email

aftersales@hyundaipowerproducts.co.uk



Online Live Chat

Go to www.hyundaipowerproducts.co.uk



Post

Genpower Ltd, Isaac Way, Pembroke Dock, Pembrokeshire, SA72 4RW.



Hyundai Support Website

Go to hyundaisupport.co.uk

HYUNDAI

POWER PRODUCTS

Importer:
GENPOWER LTD
Isaac Way, London Road,
Pembroke Dock, UK, SA72 4RW.
T: +44 (0) 1646 687 880
E: info@hyundaipowerproducts.co.uk
www.hyundaipowerproducts.co.uk

Imported / Distributed by Genpower Ltd for the United Kingdom & Ireland

Licensed by Hyundai Corporation, Korea