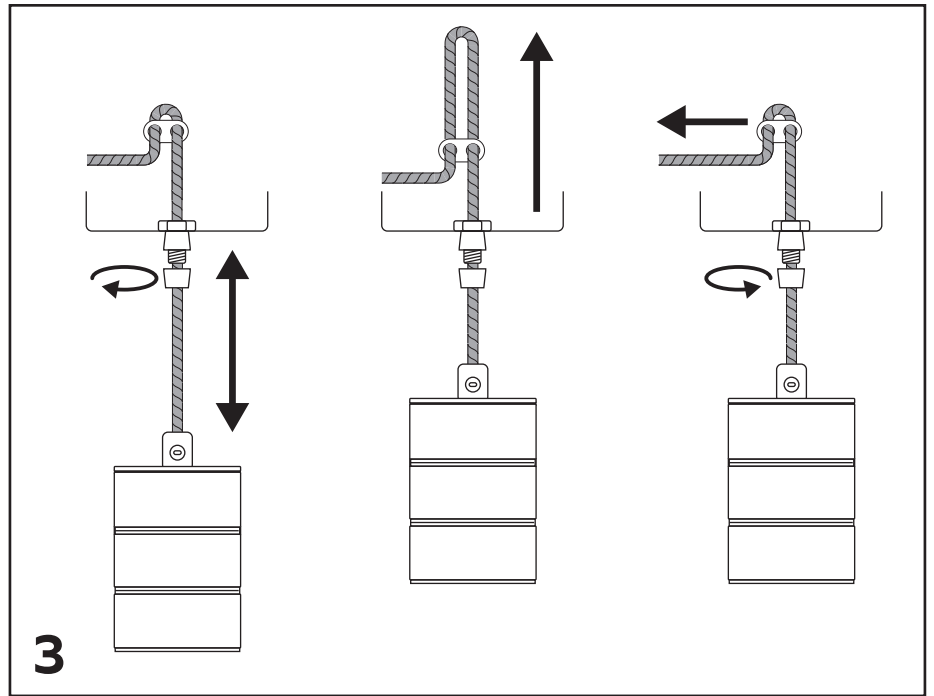
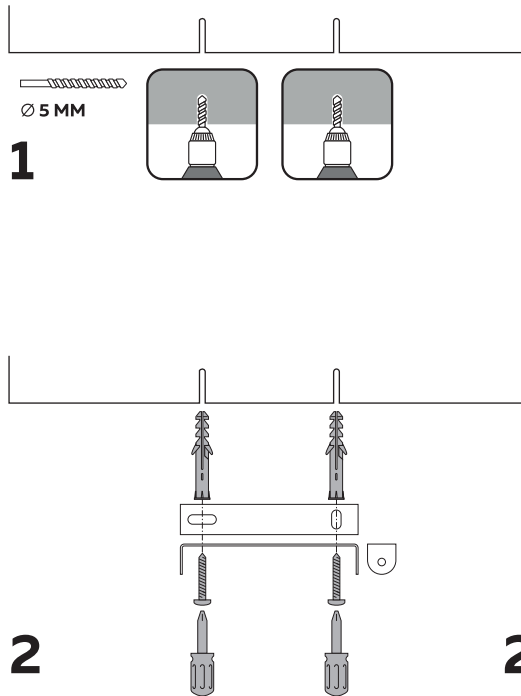
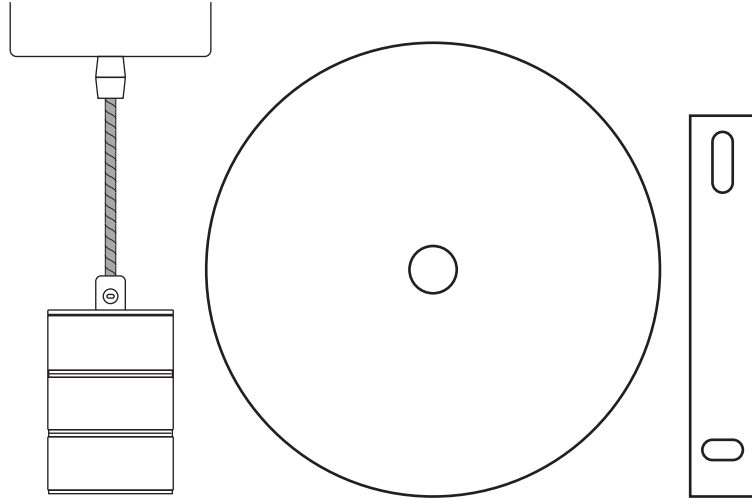
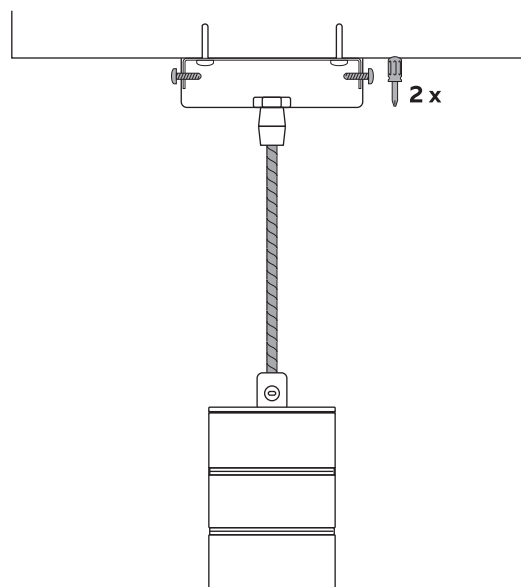
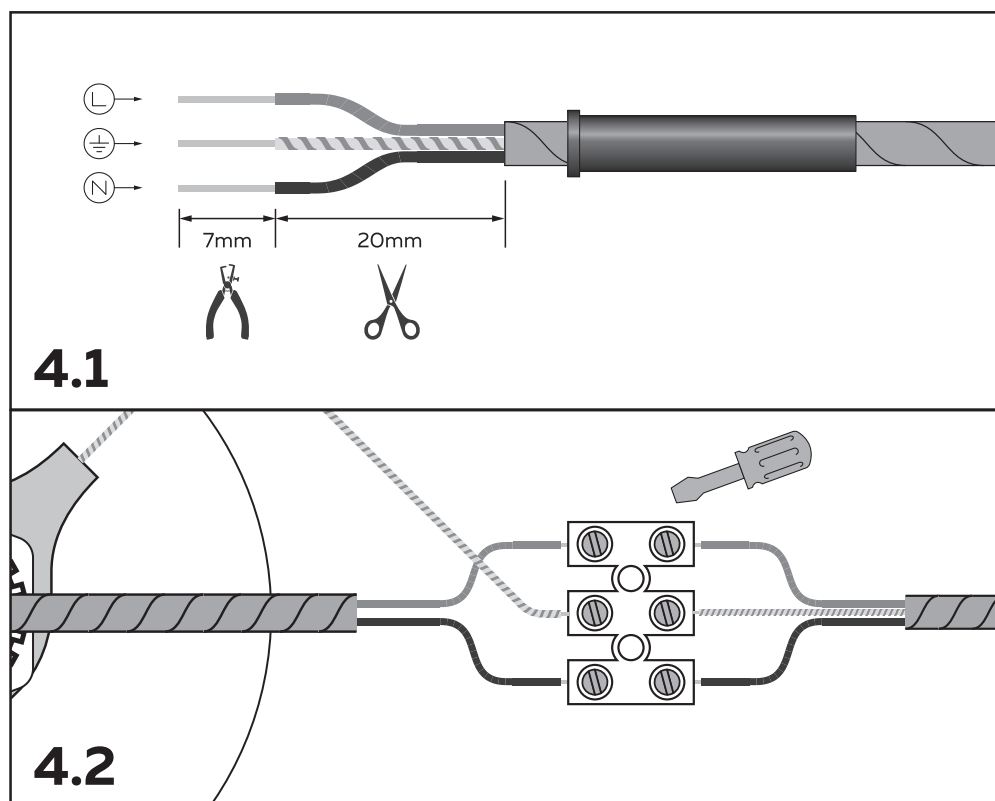
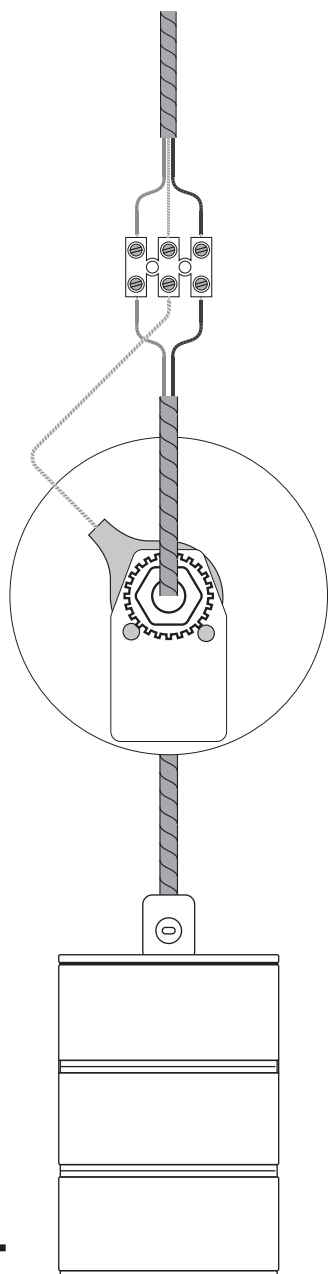




- 2 x
- 2 x
- 2 x



Before you begin. Ensure that the product does not have a voltage supply before you begin the installation. You can best do this by shutting off the electricity network until the installation is fully completed. **General safety instructions:** This product must only be used for the specified purpose. This product must not be covered by objects. Products with transformers must only be used in combination with the original transformer. If this product is passed on to third parties, these operating instructions must also be given. In case of damage to this product, particularly in case of damage to the cable or the fitting, this product must immediately be turned off. Never carry out repairs yourself. Turn off the lights when you leave the room. **Safety class 1:** This product must be connected to a grounded power supply. Be sure that the electrical wires are not damaged during the installation. Do not connect this product to a power supply when it is still in the package. Never use this product in a room in which there is a danger of explosion or near flammable substances or gasses. This product is flexible; you must not pull on the cable or allow the cable to become kinked. Keep this product away from sharp edges, oils and heat. Keep this product out of the reach of children. IP 20. This product is intended for use in dry spaces indoors. **Recycling:** This "product" is intended for separate collection at a designated collection point. Do not dispose of the product with the household waste.



5