

# EN Electric Chain Saw 2000W

## EN ORIGINAL INSTRUCTIONS

**IMPORTANT** - These instructions are for your safety. Please read through them thoroughly prior to handling the product and retain them for future reference.

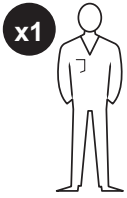


V10323\_3663602627913\_MAND1\_2223

**TTL758CHN-A**  
5059340880709  
**NMCS2000**  
5063022106209  
5063022106568

## EN You will need

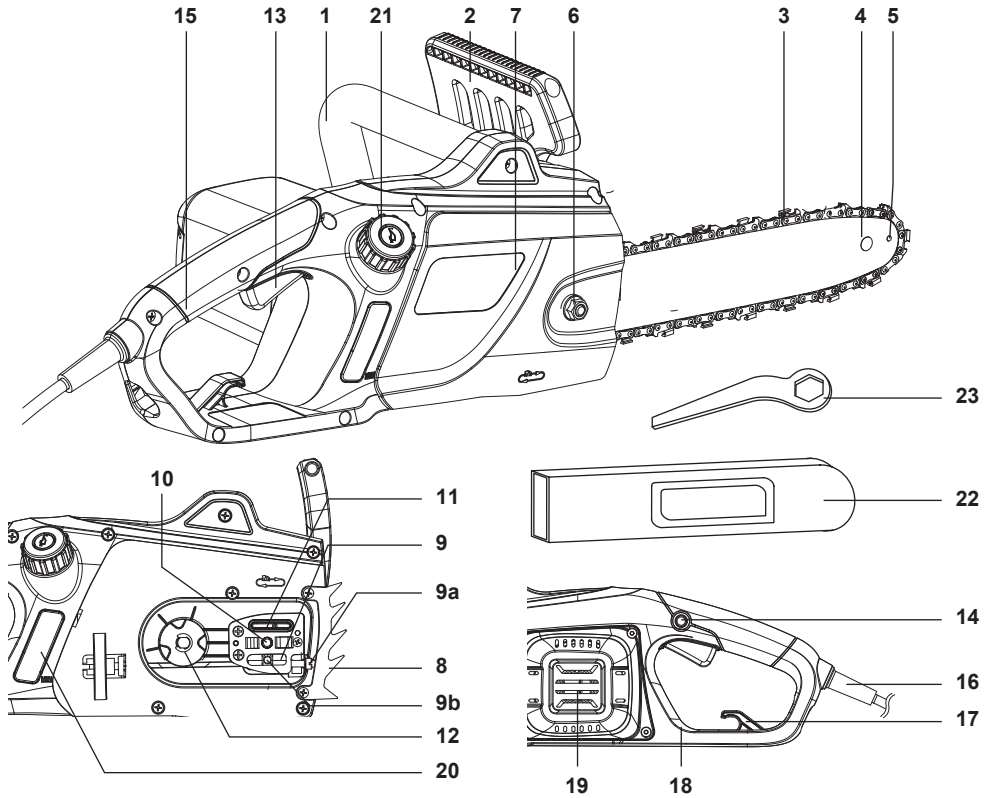
---



## EN Contents

<b>EN</b>	
<b>Product description</b>	3
<b>Safety</b>	4
<b>Technical specification</b>	13
<b>Before you start</b>	14
<b>Functions &amp; Settings</b>	21
<b>Operation</b>	22
<b>Care and maintenance</b>	29
<b>Guarantee</b>	35

# EN Product description



- |  |                          |
|--|--------------------------|
| 1. Front handle                            | 12. Drive sprocket       |
| 2. Front hand guard<br>(Chain brake lever) | 13. On/off switch        |
| 3. Saw chain                               | 14. Lock-off button      |
| 4. Guide bar                               | 15. Rear handle          |
| 5. Sprocket wheel                          | 16. Power cord with plug |
| 6. Retaining nut                           | 17. Cable strain relief  |
| 7. Cover                                   | 18. Rear hand safeguard  |
| 8. Spiked bumper                           | 19. Air vents            |
| 9. a. Tension screw                        | 20. Oil level window     |
| b. Tension pin                             | 21. Chain oil tank cap   |
| 10. Bolt                                   | 22. Guide bar cover      |
| 11. Oiling port                            | 23. Spanner              |



### Safety warnings

1. Children should be supervised to ensure that they do not play with the product.

### General power tool safety warnings



**WARNING! RWARNING** Read all safety warnings, instructions, illustrations and specifications provided with this power tool. *Failure to follow all instructions listed below may result in electric shock, fire and/or serious injury.*

**Save all warnings and instructions for future reference.**

*The term "power tool" in the warnings refers to your mains-operated (corded) power tool or battery-operated (cordless) power tool.*

### Work area safety

1. **Keep work area clean and well lit.** *Cluttered or dark areas invite accidents.*
2. **Do not operate power tools in explosive atmospheres, such as in the presence of flammable liquids, gases or dust.** *Power tools create sparks which may ignite the dust or fumes.*
3. **Keep children and bystanders away while operating a power tool.** *Distractions can cause you to lose control.*

### Electrical safety

1. **Power tool plugs must match the outlet. Never modify the plug in any way. Do not use any adapter plugs with earthed (grounded) power tools.** *Unmodified plugs and matching outlets will reduce risk of electric shock.*

2. **Avoid body contact with earthed or grounded surfaces, such as pipes, radiators, ranges and refrigerators.** *There is an increased risk of electric shock if your body is earthed or grounded.*
3. **Do not expose power tools to rain or wet conditions.** *Water entering a power tool will increase the risk of electric shock.*
4. **Do not abuse the cord. Never use the cord for carrying, pulling or unplugging the power tool. Keep cord away from heat, oil, sharp edges or moving parts.** *Damaged or entangled cords increase the risk of electric shock.*
5. **When operating a power tool outdoors, use an extension cord suitable for outdoor use.** *Use of a cord suitable for outdoor use reduces the risk of electric shock.*
6. **If operating a power tool in a damp location is unavoidable, use a residual current device (RCD) protected supply.** *Use of an RCD reduces the risk of electric shock.*

## **Personal safety**

1. **Stay alert, watch what you are doing and use common sense when operating a power tool.** *Do not use a power tool while you are tired or under the influence of drugs, alcohol or medication. A moment of inattention while operating power tools may result in serious personal injury.*
2. **Use personal protective equipment. Always wear eye protection.** *Protective equipment such as dust mask, non-skid safety shoes, hard hat, or hearing protection used for appropriate conditions will reduce personal injuries.*
3. **Prevent unintentional starting. Ensure the switch is in the off-position before connecting to power source and/or battery pack, picking up or carrying the tool.** *Carrying power tools with your finger on the switch or energising power tools that have the switch on invites accidents.*
4. **Remove any adjusting key or wrench before turning the power tool on.** *A wrench or a key left attached to a rotating part of the power tool may result in personal injury.*

5. **Do not overreach. Keep proper footing and balance at all times.** *This enables better control of the power tool in unexpected situations.*
6. **Dress properly. Do not wear loose clothing or jewellery.** *Keep your hair, clothing and gloves away from moving parts. Loose clothes, jewellery or long hair can be caught in moving parts.*
7. **If devices are provided for the connection of dust extraction and collection facilities, ensure these are connected and properly used.** *Use of dust collection can reduce dust-related hazards.*
8. **Do not let familiarity gained from frequent use of tools allow you to become complacent and ignore tool safety principles.** *A careless action can cause severe injury within a fraction of a second.*

## **Power tool use and care**

1. **Do not force the power tool. Use the correct power tool for your application.** *The correct power tool will do the job better and safer at the rate for which it was designed.*
2. **Do not use the power tool if the switch does not turn it on and off.** *Any power tool that cannot be controlled with the switch is dangerous and must be repaired.*
3. **Disconnect the plug from the power source and/or the battery pack from the power tool before making any adjustments, changing accessories, or storing power tools.** *Such preventive safety measures reduce the risk of starting the power tool accidentally.*
4. **Store idle power tools out of the reach of children and do not allow persons unfamiliar with the power tool or these instructions to operate the power tool.** *Power tools are dangerous in the hands of untrained users.*
5. **Maintain power tools. Check for misalignment or binding of moving parts, breakage of parts and any other condition that may affect the power tool's operation.** *If damaged, have the power tool repaired before use. Many accidents are caused by poorly maintained power tools.*
6. **Keep cutting tools sharp and clean.** *Properly maintained cutting tools with sharp cutting edges are less likely to bind and are easier to control.*

- 7. Use the power tool, accessories and tool bits etc. in accordance with these instructions, taking into account the working conditions and the work to be performed. Use of the power tool for operations different from those intended could result in a hazardous situation.**
- 8. Do not let familiarity gained from frequent use of tools allow you to become complacent and ignore tool safety principles. A careless action can cause severe injury within a fraction of a second.**

## Service

- 1. Have your power tools serviced by a qualified repair person using only identical replacement parts. This will ensure that safety of the power tool is maintained.**

## Chain saw safety warnings

- 1. Keep all parts of the body away from the saw chain when the chain saw is operating. Before you start the chain saw, make sure the saw chain is not contacting anything. A moment of inattention while operating chain saws may cause entanglement of your clothing or body with the saw chain.**
- 2. Always hold the chain saw with your right hand on the rear handle and your left hand on the front handle. Holding the chain saw with a reversed hand configuration increases the risk of personal injury and should never be done.**
- 3. Hold the power tool by insulated gripping surfaces only, because the saw chain may contact hidden wiring or its own cord. Saw chains contacting a “live” wire may make exposed metal parts of the power tool “live” and could give the operator an electric shock.**
- 4. Wear safety glasses and hearing protection. Further protective equipment for head, hands, legs and feet is recommended. Adequate protective clothing will reduce personal injury by lying debris or accidental contact with the saw chain.**
- 5. Do not operate a chain saw in a tree, on a ladder, from a rooftop, or any unstable support. Operation of a chain saw in this manner could result in serious personal injury.**

6. **Always keep proper footing and operate the chain saw only when standing on fixed, secure and level surface.** *Slippery or unstable surfaces such as ladders may cause a loss of balance or control of the chain saw.*
7. **When cutting a limb that is under tension be alert for spring back.** *When the tension in the wood fibres is released the spring loaded limb may strike the operator and/or throw the chain saw out of control.*
8. **Use extreme caution when cutting brush and saplings.** *The slender material may catch the saw chain and be whipped toward you or pull you off balance.*
9. **Carry the chain saw by the front handle with the chain saw switched off and away from your body. When transporting or storing the chain saw, always fit the guide bar cover.** *Proper handling of the chain saw will reduce the likelihood of accidental contact with the moving saw chain.*
10. **Follow instructions for lubricating, chain tensioning and changing the bar and chain.** *Improperly tensioned or lubricated chain may either break or increase the chance for kickback.*
11. **Cut wood only. Do not use chain saw for purposes not intended.** *For example: do not use chain saw for cutting metal, plastic, masonry or non-wood building materials. Use of the chain saw for operations different than intended could result in a hazardous situation.*
12. **Do not attempt to fell a tree until you have an understanding of the risks and how to avoid them.** *Serious injury could occur to the operator or bystanders while felling a tree.*

## **Causes and operator prevention of kickback**

*Kickback may occur when the nose or tip of the guide bar touches an object, or when the wood closes in and pinches the saw chain in the cut.*

*Tip contact in some cases may cause a sudden reverse reaction, kicking the guide bar up and back towards the operator.*

*Pinching the saw chain along the top of the guide bar may push the guide bar rapidly back towards the operator.*



Either of these reactions may cause you to lose control of the saw which could result in serious personal injury. Do not rely exclusively upon the safety devices built into your saw. As a chain saw user, you should take several steps to keep your cutting jobs free from accident or injury.

Kickback is the result of tool misuse and/or incorrect operating procedures or conditions and can be avoided by taking proper precautions as given below:

1. **Maintain a firm grip, with thumbs and fingers encircling the chain saw handles, with both hands on the saw and position your body and arm to allow you to resist kickback forces.** *Kickback forces can be controlled by the operator, if proper precautions are taken. Do not let go of the chain saw.*
2. **Do not overreach and do not cut above shoulder height.** *This helps prevent unintended tip contact and enables better control of the chain saw in unexpected situations.*
3. **Only use replacement bars and chains specified by the manufacturer.** *Incorrect replacement bars and chains may cause chain breakage and/or kickback.*
4. **Follow the manufacturer's sharpening and maintenance instructions for the saw chain.** *Decreasing the depth gauge height can lead to increased kickback.*

## **Additional chain saw safety warnings**

1. We recommend the use of a residual current device with a tripping current of 30 mA or less.
2. Position the extension cord so that it will not be caught on branches and the like, during cutting.
3. We recommend that the first-time users should, as a minimum practice, cutting logs on a sawhorse or cradle.
4. The machine shall be used in a covered and dry area. The ambient temperature shall be included between 15°C and 30°C. The humidity level shall be less than 60%.

## **Vibration and noise reduction**

To reduce the impact of noise and vibration emission, limit the time of operation, use low-vibration and low-noise operating modes as well as wear personal protective equipment.

Take the following points into account to minimize the vibration and noise exposure risks:

1. Only use the product as intended by its design and these instructions.
2. Ensure that the product is in good condition and well maintained.
3. Use correct application tools for the product and ensure they are in good condition.
4. Keep tight grip on the handles/grip surface.
5. Maintain this product in accordance with these instructions and keep it well lubricated (where appropriate).
6. Plan your work schedule to spread any high vibration tool use across a number of days.

## **Emergency**

Familiarise yourself with the use of this product by means of this instruction manual. Memorise the safety directions and follow them to the letter. This will help to prevent risks and hazards.

1. Always be alert when using this product, so that you can recognise and handle risks early. Fast intervention can prevent serious injury and damage to property.
2. Switch off and disconnect from the power supply if there is any malfunction. Have the product checked by a qualified specialist and repaired, if necessary, before you put it into operation again.

## **Residual risks**

Even if you are operating this product in accordance with the provisions, residual risks will always still remain. The following dangers can arise in connection with the structure and design of this product:

1. Health defects resulting from vibration emission if the product is being used over longer period of time or not adequately managed and properly maintained.
2. Injuries and damage to property to due to broken accessories or hidden objects that are suddenly dashed.
3. Injuries and damage to property to due to thrown and fallen objects.
4. Prolonged use of this product expose the operator to vibrations and may produce ‘whitefinger’ disease. In order to reduce the risk, please wear gloves and keep your hands warm. If any of the ‘whitefinger’ symptoms appear, seek medical advice immediately. ‘Whitefinger’ symptoms include: numbness, loss of feeling, tingling, pricking, pain, loss of strength, changes in skin colour or condition. These symptoms normally appear in the fingers, hands or wrists. The risk increases at low temperatures.



**WARNING!** This product produces an electromagnetic field during operation! This field may under some circumstances interfere with active or passive medical implants! To reduce the risk of serious or fatal injury, we recommend persons with medical implants to consult their physician and the medical implant manufacturer before operating this product!

## Symbols

On the product, the rating label and within these instructions you will find among others the following symbols and abbreviations. Familiarise yourself with them to reduce hazards like personal injuries and damage to property.



Caution / Warning.



Read the instruction manual.



Wear eye protection



Wear hearing protection



Wear respiratory protection



Wear safety helmet



Wear face protection!



Wear protective gloves.



Wear safety footwear.



Switch the product off and disconnect it from the power supply before assembly, cleaning, adjustments, maintenance, storage and transportation.



Remove plug from the mains immediately if the power cord/extension cord is damaged or cut.



Kickback! Tip contact may cause the guide bar to move suddenly upward and backwards what may cause serious injury to user.



Contact of the guide bar tip with any object should be avoided.



Always use the product with two hands. Do not use one handed when operating the product.



Objects thrown by the product could hit the user or other bystanders. Always ensure that other people and pets remain at a safe distance from the product when it is in operation. In general, children must not come near the area where the product is.



Do not use in rain or wet conditions



Correct direction of cutting teeth



Correct direction of cutting-teeth



Chain oil fill



Chain brake (the (C) symbol shows the position in which the brake is released)



Guaranteed sound power level value in 110 dB



Class II protection.



The product complies with the applicable European directives and an evaluation method of conformity for these directives was done.

yyWxx

Manufacturing date code; year of manufacturing (20yy) and week of manufacturing (Wxx)



UK Conformity Assessed.

NMCS2000

NM-No name, CS- Chain Saw

TTL758CHN-A

TTL-TITAN, CHN-Chain Saw

## EN Technical specifications

General :	TTL758CHN-A:	NMCS2000:
> Rated voltage	: 220-240 V~, 50 Hz	: 220-240 V~, 50 Hz
> Rated input power	: 2000 W	: 2000 W
> Rated no load speed	: 8000 /min	: 8000 /min
> Oil tank volume	: 150 ml	: 150 ml
> Weight assembled	: 5.1 kg	: 5.1 kg
> Saw chain type	: Oregon 91PJ056X	: Oregon 91PJ057X
> Max. chain speed:	: 14.5m/s	: 15m/s
> Guide bar type	: Oregon 160SDEA041	: Oregon 160SDEA041
> Guide bar length	: 405 mm (16")	: 405 mm (16")
> Max. cutting length	: 350 mm	: 350 mm
> Sound pressure level	: 102.4 dB(A)	: 102.4 dB(A)
> Uncertainty K	: 3 dB(A)	: 3 dB(A)
> Sound power level	: 108.02 dB(A)	: 108.02 dB(A)
> Uncertainty K	: 2.04 dB(A)	: 2.04 dB(A)
> Guaranteed sound power level	: 110 dB(A)	: 110 dB(A)
> Vibration	: 6.3 m/s <sup>2</sup> (Rear handle) 5.5 m/s <sup>2</sup> (Front handle)	: 6.3 m/s <sup>2</sup> (Rear handle) 5.5 m/s <sup>2</sup> (Front handle)
> Uncertainty K	: 1.5 m/s <sup>2</sup>	: 1.5 m/s <sup>2</sup>

The sound intensity level for the operator may exceed 80 dB(A) and ear protection measures are necessary.

The declared vibration value has been measured in accordance with a standard test method and may be used for comparing one tool with another. The declared vibration value may also be used in a preliminary assessment of exposure.



**WARNING!** The vibration emission value during actual use of the tool can differ from the declared value depending on the ways in which the tool is used. Identify safety measures to protect the operator that are based on an estimation of exposure in the actual conditions of use (taking account of all parts of the operating cycle such as the times when the tool is switched off and when it is running idle in addition to the trigger time). Depending on the actual use of the product the vibration values can differ from the declared total! Adopt proper measures to protect yourself against vibration exposures! Take the whole work process including times the product is running under no load or switched off into consideration! Proper measures include among others regular maintenance and care of the product and application tools, keeping hands warm, periodical breaks and proper planning of work processes!



**WARNING!** Due to the power input of this product on start up, voltage drops may occur and this can influence other equipment (e.g. dimming lights). So for technical reasons we advise, if the mains-impedance is  $Z_{max} < 0.403 \text{ Ohm}$ , these disturbance are not expected, If you require future clarification, you may contact your local power supply authority.

# EN Before you start

## Unpacking

1. Unpack all parts and lay them on a flat, stable surface.
2. Remove all packing materials and shipping devices if applicable.
3. Make sure the delivery contents are complete and free of any damage. If you find that parts are missing or show damage do not use the product but contact your dealer. Using an incomplete or damaged product represents a hazard to people and property.
4. Ensure that you have all the accessories and tools needed for assembly and operation. This also includes suitable personal protective equipment.

## You will need

### (items not supplied)

Saw chain oil

Oil funnel

Lubrication oil

Sharpening set

### (items supplied)

Guide bar (4)

saw chain (3)

Guide bar cover (22)

Spanner (23)

## Assembly



**WARNING!** The product must be fully assembled before operation! Do not use a product that is only partly assembled or assembled with damaged parts!



Follow the assembly instructions step-by-step and use the pictures provided as a visual guide to easily assemble the product!

Do not connect the product to the power supply until it is completely assembled!

Always wear gloves during assembly!

Assemble the guide bar (4) and saw chain (3) before operation.

## Chain and guide bar

1. Use only a guide bar (4) and saw chain (3) combination according to the technical data of the product. Advise only use guide bar and saw chain combination(s) that can be used and that maintains compliance with this standard.



**WARNING!** Always use a saw chain designed as “low-kickback” or a saw chain which meets the low-kickback requirements! A standard saw chain (a chain which does not have the kickback reducing guard links) should only be used by an experienced professional operator.

Nevertheless, a low-kickback saw chain does not completely eliminate kickback! A low-kickback or “safety” chain should never be regarded as complete protection against injury! Therefore always use a low- kickback saw chain in conjunction with other kickback protection devices such as the front hand guard!

2. Place the product on a suitable flat surface with the front handle (1) facing upward.
3. Loosen the retaining nut (6) with the spanner (23) and remove it together with the cover (7).
4. Ensure the tension pin (9b) is positioned to the left side, adjust it turning the tension screw (9a) anticlockwise with the multitool (23) if required (Fig. 1a).
5. Spread the saw chain (3) out with the cutting edges of the chain pointing in the rotational direction and slide the chain into the groove around the guide bar (4) (Fig. 1b).

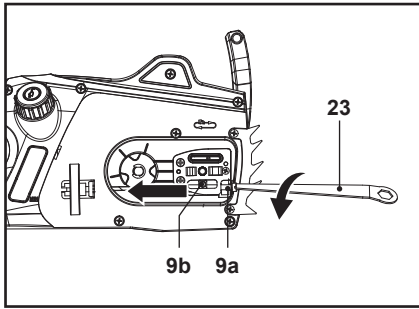


Fig. 1a

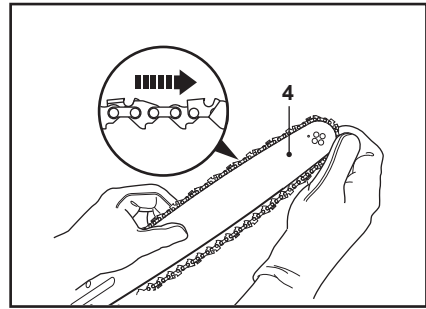


Fig. 1b

6. Align the guide bar (4) and saw chain (3) assembly with the drive sprocket (12) and bolt (10). Lay the saw chain around the drive sprocket (12) and then lower the guide bar (4) to install it to the bolt (Figs. 1c, 1d).

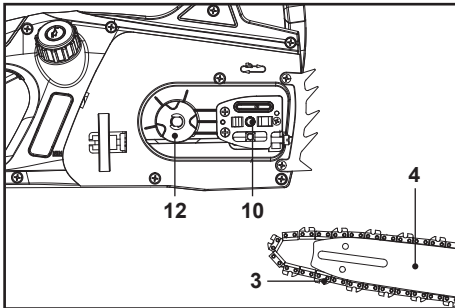


Fig. 1c

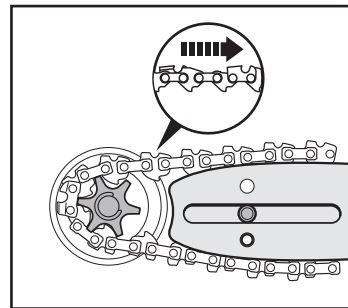


Fig. 1d



**WARNING!** The direction of the saw chain 'cutters' must be as indicated by the symbol and arrow on the guide bar!

7. The saw chain movement is as indicated by the arrow (Fig. 1e). Make sure the saw chain (3) is properly placed over the sprocket wheel (5) of the guide bar (4).

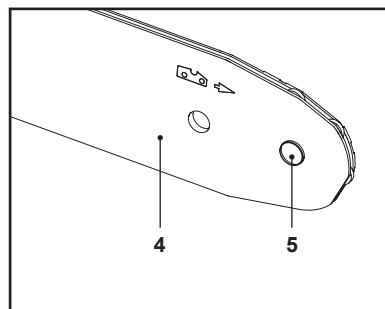


Fig. 1e

8. Pre-tighten the saw chain (3) turning the tension screw (9a) clockwise with the multitool (23).
9. Replace the cover (7) and slightly tighten the retaining nut (6) (Fig. 1f).

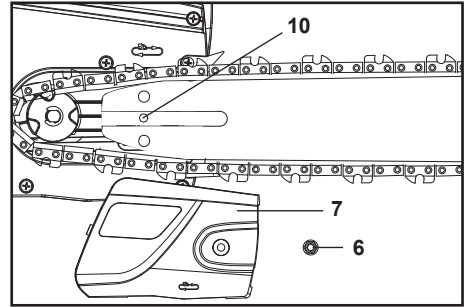


Fig. 1f



**NOTE:** Fix the retaining nut finger tight only at this stage. The chain tension cannot be adjusted with the retaining nut tightened - it must be loosened first.



**NOTE:** The saw chain (3) has not yet been tensioned. Tension the chain as described under "Saw chain tensioning". After operating the product for approximately one hour, adjust the chain tension again.

## Saw chain tensioning

Always check the saw chain tension before use, after the first cuts and regularly during use, approx. every five cuts. Upon initial operation, new chains can lengthen considerably. This is normal during the break-in period and the interval between future adjustments will lengthen quickly.



**WARNING!** Disconnect the product from the power supply before adjusting saw chain tension!



The cutting edges of the saw chain are sharp! Always wear protective gloves when handling chain!



Always maintain proper chain tension! A loose chain increases the risk of kickback! A loose chain may jump out of the guide bar groove! This may injure the operator and damage the chain! A loose chain will cause rapid wear to the chain, guide bar and sprocket!

Tensioning the chain too tightly will overload the motor and cause damage, and insufficient tension can cause chain derailing, whereas a correctly tightened chain provides the best cutting characteristics and prolonged working life! The chain life mainly depends upon sufficient lubrication and correct tensioning!



**NOTE:** The chain tension can not be adjusted with the retaining nuts tightened - they must be loosened first.



1. Place the product on a suitable flat surface.
2. Lift up the tip of the guide bar (4) and keep it there as you adjust the tension (Fig. 2a).

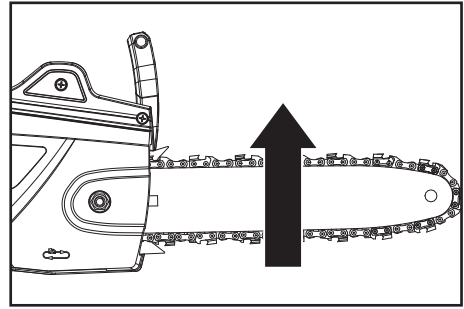


Fig. 2a

3. Turn the tension screw (9a) until the chain 'tie straps' are just touching the bottom edge of the guide bar (4) (Fig. 2b, 2c).

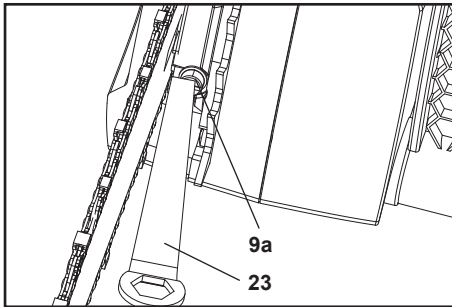


Fig. 2b

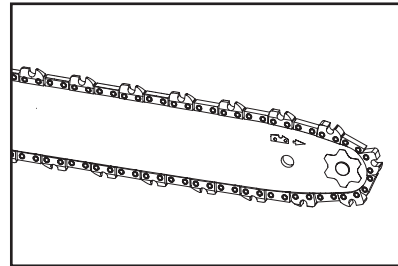


Fig. 2c

4. Check the chain tension using one hand to lift the saw chain (3) against the weight of the product. The correct chain tension is achieved when the saw chain can be lifted by approximately 2 - 4 mm from the guide bar (4) in the centre (Figs.2d, 2e). After the adjustment, re-tighten the locking wheel (11).

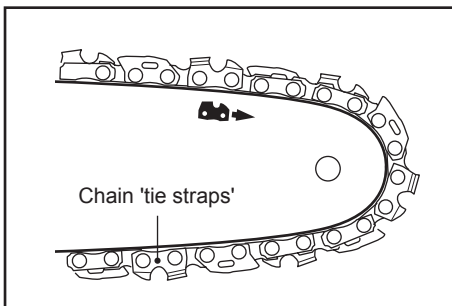


Fig. 2d

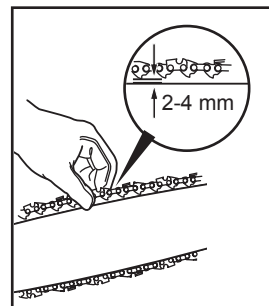


Fig. 2e

5. Adjust the tension if you find that the chain saw is too loose or tight.
6. Tighten the retaining nut.
7. Pull the saw chain (3) along the top of the guide bar (4) by hand from one end to the other, several times. The chain should feel tight but still move freely. If the tension of the chain has been adjusted, re-check the tension again in accordance with Step 2.

## Chain lubrication



**WARNING!** The product is not filled with chain oil. It is essential to fill the product with chain oil before using it! Never operate the product without chain oil as this will result in extensive damage to the product!

Operating the saw chain dry or with too little chain oil will decrease cutting efficiency, shorten the product life span and cause rapid wear to the saw chain and guide bar from overheating!

Insufficient chain oil is evident by smoke or bar discoloration! Adequate lubrication of the saw chain during cutting operations is essential to minimise friction with the guide bar!

1. Place the product on a stable, level surface with the oil tank cap (21) facing upward. We recommend laying a nonflammable sheet under the product.
2. Unscrew and remove the oil tank cap (21) (Fig. 3a).

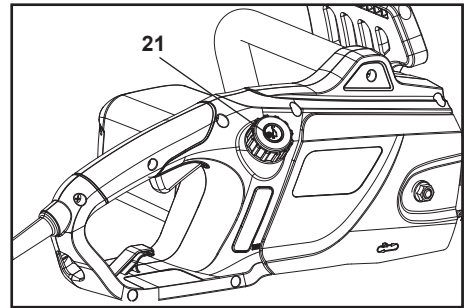


Fig. 3a

3. Fill suitable lubricant into the tank using an oil funnel fitted with a filter to avoid debris entering the tank. Do not overfill and leave approximately 5 mm of space between the top of the oil and the inside edge of the tank to allow for expansion (Fig. 3b).

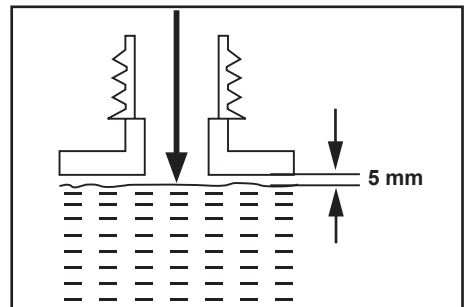


Fig. 3b



**NOTE:** In summer use SAE #30; in winter, or if the trees have excessive sap, use SAE #10.



**NOTE:** Towards the end of the season, it is advisable to put only as much lubricant in the tank as you need for each cut, so that it is completely used up before you store the product.

4. Check the oil level window (20) prior to start-up and regularly during operation. Refill oil when the oil level is lower than "MIN" marking (Fig. 3c).

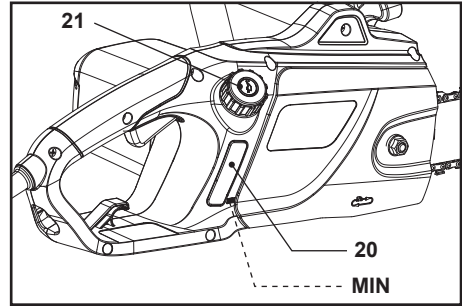


Fig. 3c

5. Wipe up spilled lubricant with a soft cloth and refit the oil tank cap (21).



**NOTE:** Always dispose of lubricant, used oil and objects contaminated with them in accordance with local regulations.

#### Checking



**NOTE:** Perform the following test before operating your product.

This product is equipped with an automatic oiling system. The oiling system automatically delivers the proper amount of oil to the bar and chain.

Checking the lubrication requires starting the product. Before checking, the product must be fully assembled and all instructions must have been read.

1. Make sure the guide bar (4) and the saw chain (3) are in place when you check the oil delivery.
2. Start the product; keep it running at no load and check if the chain oil is delivered as shown in the figure (Fig. 3d).

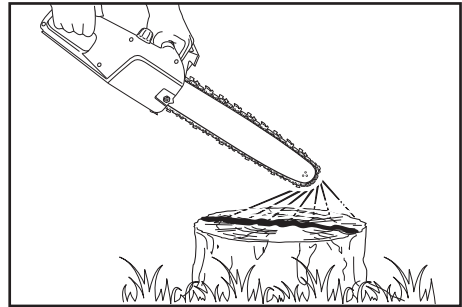


Fig. 3d

3. If required have the chain oil flow adjusted by an authorised service centre or similar qualified person.

## Connection to the power supply (for UK only)



**WARNING!** Always use a residual current supply (RCD) protected supply. If an extension cord is used, make sure the extension cord is specifically designed for outdoor use and not lighter than H07RN-F, 2 x 1.5 mm<sup>2</sup> and max. 75 m.

1. Make sure the on/off switch (13) is in its off position.
2. Correct the power plug to a suitable power source.
3. Now your product is ready for use.

## Connection to the power supply



**WARNING!** For your safety, it is required that the plug attached to this product is always connected to an extension cord! The extension cord must be suitable for outdoor use with sockets protected against water splashing! Ensure the extension cord is of the proper size and type for your product ( $\geq 1.5 \text{ mm}^2$ )!

The extension cord must always be used with the cable strain relief! Do not use the product without an extension cord connected! Always use a residual current supply (RCD) protected supply!

1. Make sure the on/off switch (13) is in its off position.
2. Double the extension cable, about a foot from the end. Lead the loop through the hole on the rear safe guard and hook the loop over the cable strain relief (17). Gently pull on the cord to ensure that it is firmly attached at the handle (Fig. 4a, 4b).

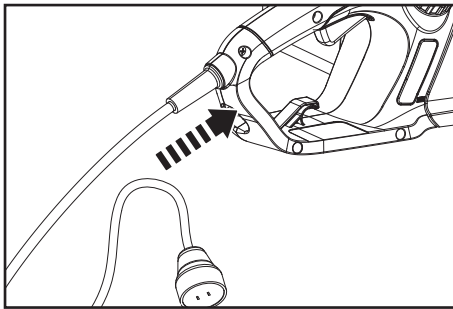


Fig. 4a

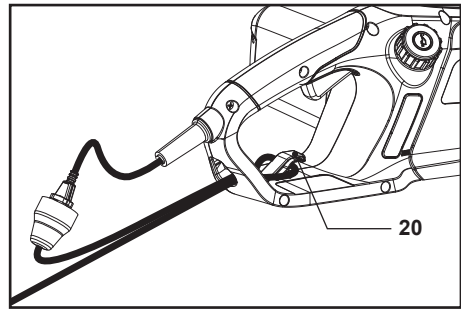


Fig. 4b

3. Connect the plug of the power cord to the socket on the extension cord.
4. Connect the plug of the extension cable to a suitable socket.



**WARNING!** Check the voltage! The voltage must comply with the information on the rating label!

5. Your product is now ready to be used.

## Intended use

1. This electric chain saw TTL758CHN-A/NMCS2000 is designated with a rated input of 2000 Watts. The product is intended cutting logs with a thickness of max. 350 mm. It must not be used for cutting other materials, such as plastic, stone, metal or wood that contains foreign objects.
2. The product may only be used with the guide bar/saw chain combination stated in these instructions. It is not permitted to use other types or sizes.
3. Vertical and horizontal cuts can be performed with this product. Longitudinal sections can only be cut by professionals.
4. This product should not be used outside of domestic premises e.g. for cutting firewood in forested areas.
5. This product is intended for private domestic use only, not for any commercial trade use. It must not be used for any purposes other than those described.

## Chain brake

1. The chain brake is a safety mechanism activated by the front hand guard (2). When kickback occurs, the saw chain stops immediately.
2. The chain brake in the disengaged position, the product can be operated (Fig. 5a).
3. The chain brake in the engaged position, the saw chain is stopped as soon as the chain brake is activated (Fig. 5b).

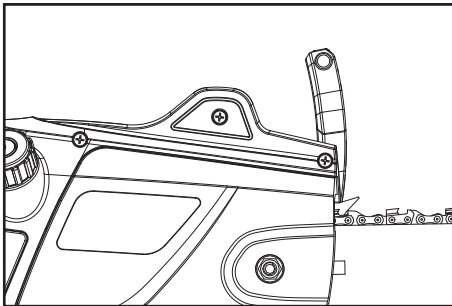


Fig. 5a

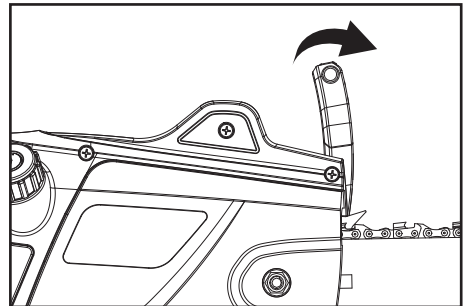


Fig. 5b

### Chain brake test

Perform the following function check before each use. The purpose of the chain brake testing is to reduce the possibility of injury due to kickback.

1. Switch the product on as described below.
2. While the motor is running, activate the chain brake by rolling your left hand forward against the front hand guard (2). Saw chain (3) and motor should stop immediately.



**WARNING!** If the saw chain and motor fail to stop when the chain brake is engaged, take the product to the nearest authorised dealer or service centre! Do not use the product if the chain brake is not in working properly!



**WARNING!** The front hand guard should not be used for stopping the product during normal operation!

## Switching on/off

1. Make sure the chain brake is disengaged (see above).
2. Ensure the saw chain (3) does not come into contact with anything before starting the product.
3. Grip the product with both hands, your left hand holding the front handle (1) (do not hold the front hand guard) and your right hand holding the rear handle (15). Do not start the product while handling it with one hand.
4. Press the lock-off button (14) with your right thumb, then fully press the on/off switch (13) with your index finger and hold in this position (Fig. 6).
5. Release the on/off switch (13) to switch the product off.

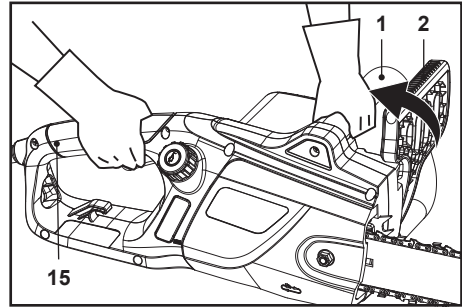


Fig. 6



**WARNING!** The product will continue to work for some time even after the motor has been switched off! Wait until it comes to a complete stop before you put the product down!

## EN Operation

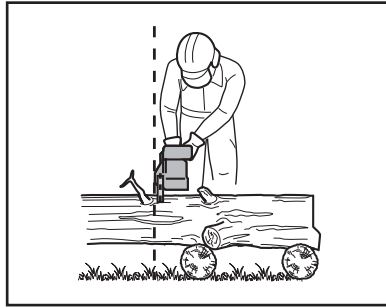
### General operation

1. Check the product, its power cord and plug as well as accessories for damage before each use. Do not use the product if it is damaged or shows wear.
2. Double check that accessories and the guide bar/saw chain are properly fixed.
3. Check the chain oil level, refill if necessary.
4. Always hold the product by its handles. Keep the handles dry and free from lubrication to ensure safe support.
5. Ensure that the air vents are always unobstructed and clear. Clean them if necessary with a soft brush. Blocked air vents may lead to overheating and damage the product.
6. Switch the product off immediately if you are disturbed while working by other people entering the working area. Always let the product come to complete stop before putting it down.
7. Do not overwork yourself. Take regular breaks to ensure you can concentrate on the work and have full control over the product.

### Basic operating / cutting procedure

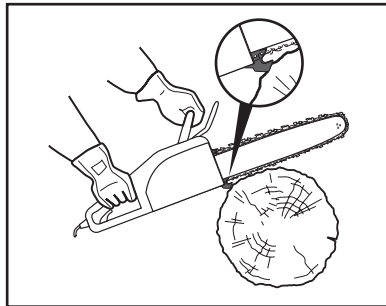
1. To become proficient attend a recognised chain saw training course to learn how to operate chain saws safely and effectively. Familiarise yourself with all the controls and switches. Practise all movements with the product switched off.
2. Always hold the product firmly with both hands. Hold the front handle (1) with your left hand and the rear handle (15) with your right hand. Fully grip both handles at all times during operation. Never operate the product using only one hand.
3. Ensure the extension cord is located to the rear, away from the saw chain and the wood and is positioned so that it cannot be caught on branches or similar objects during cutting.

4. Only use the product with a secure stance. Hold the product at the right-hand side of your body (Fig. 7a).



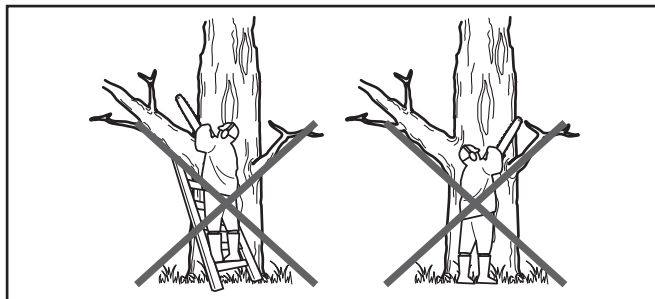
**Fig. 7a**

5. Check the proper lubrication as described in section “Before you start - Chain lubrication” before performing any cut
6. Ensure the saw chain (3) is running at full speed before it makes contact with the wood. Use the spiked bumper (8) to secure the product onto the wood before starting to cut and use it as a leverage point while cutting (Fig. 7b).



**Fig. 7b**

7. Reset the spiked bumper (8) at a low point when cutting thicker logs by pulling the product slightly backwards until the gripping teeth release, and reposition at lower level to continue sawing. Do not remove the product completely from the wood.
8. Do not force the saw chain while cutting, let the chain do the work, using the gripping teeth to apply minimal leverage pressure.
9. Do not operate the product with arms fully extended or attempt to saw areas which are difficult to reach, or on a ladder. Never use the product above shoulder height (Fig. 7c).



**Fig. 7c**

10. Optimum sawing is achieved if the chain speed remains constant during cutting.
11. Be careful when reaching the end of the cut. The weight of the product may change unexpectedly as it cuts free from the wood. This can cause accidents to the legs and feet. Always remove the product from a wood cut while the product is running.
12. Check that the oil feed to the chain is operating correctly; run the chain saw at medium speed and ensure that the chain has received a consistent coating of oil.

## Kickback



**WARNING!** Beware of kickback! Kickback can lead to dangerous loss of control of the product and result in serious or fatal injury to the operator or anyone standing close by! Always be alert because rotational kickback and pinch kickback are major product operational dangers and the leading cause of most accidents!



1. Kickback may occur when the nose or tip of the guide bar touches an object, or if wood pinches the saw chain in the cut.
2. In some cases, contact with the tip of the guide bar (4) may cause a lightning-fast reverse reaction, kicking the guide bar up and back toward the operator (Figs. 8a-8c).

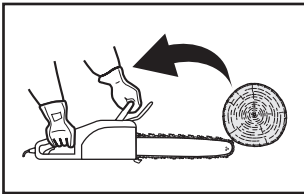


Fig. 8a

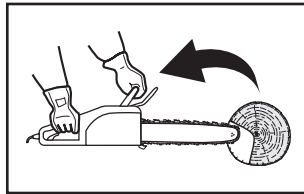


Fig. 8b

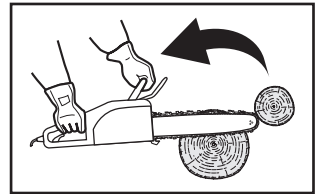


Fig. 8c

3. Pinching the saw chain (3) along the bottom of the guide bar (4) may pull the product forward away from the operator (Fig. 8d).
4. Pinching the saw chain (3) along the top of the guide bar (4) may push the guide bar rapidly back toward the operator (Fig. 8e).

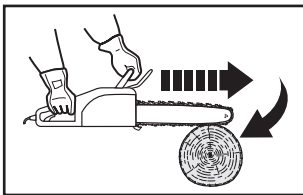


Fig. 8d

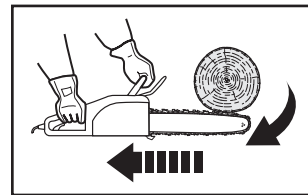


Fig. 8e

5. Any of these reactions may cause losing control of the product, which could result in serious personal injury or even death.
6. With a basic understanding of 'kickback', the element of surprise can be reduced or eliminated. Sudden surprise contributes to the majority of accidents.
7. Keep a good firm grip on the product with both hands, the right hand on the rear handle (15) and the left hand on the front handle (1), when the motor is running. Maintain a firm grip with your thumbs and fingers encircling the product handles. A firm grip will help you reduce 'kickback' and maintain control of the product.
8. You should carefully read all safety warnings and user instructions before attempting to operate this product.



### To avoid kickback:

- Saw with guide bar at a flat angle.
- Never work with a loose, widely stretched or the heavily worn out saw chain.
- Ensure the saw chain is sharpened correctly.
- Never saw above shoulder height.
- Never work with the tip of the guide bar.
- Always hold the product firmly with both hands.
- Always use a low kickback chain.
- Apply the spiked bumper for leverage.
- Ensure correct chain tension.
- Do only cut with the motor at high speeds.
- Do not let the tip of the guide bar (4) contact a log, branch, or any other obstruction which could be hit while you are operating the product.
- Follow manufacturer's sharpening and maintenance instructions for the saw chain.
- Only use replacement guide bars and saw chains specified by the manufacturer or equivalent replacements.



**WARNING!** Most 'kickback' accidents happen during limbing! Pay close attention to the position of the 'kickback' zone of the bar when you are 'limbing' branches that are under tension!

### Felling a tree

1. When bucking and felling operations are being performed by two or more persons at the same time, the felling operations should be separated from the bucking operation by a distance of at least twice the height of the tree being felled. Trees should not be felled in a manner that would endanger any person, strike any utility line or cause any property damage. If the tree does make contact with any utility line, the company should be notified immediately.
2. The product operator should keep on the uphill side of the terrain as the tree is likely to roll or slide downhill after it is felled.
3. An escape path should be planned and cleared as necessary before cuts are started. The escape path should extend back and diagonally to the rear of the expected line of fall (Fig. 9a).
4. Before felling is started, consider the natural lean of the tree, the location of larger branches and the wind direction to judge which way the tree will fall.
5. Remove dirt, stones, loose bark, nails, staples and wire from the tree.

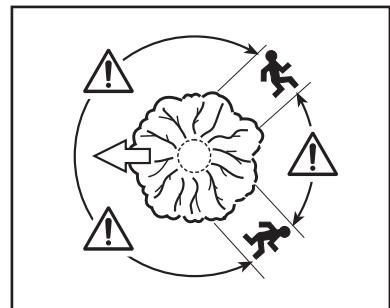


Fig. 9a

## Notching undercut

Make the notch (Fig. 9b, B) 1/3 the diameter of the tree, perpendicular to the direction of fall (Fig. 9b). Make the lower horizontal notching cut first. This will help to avoid pinching either the saw chain or the guide bar when the second notch is being made.

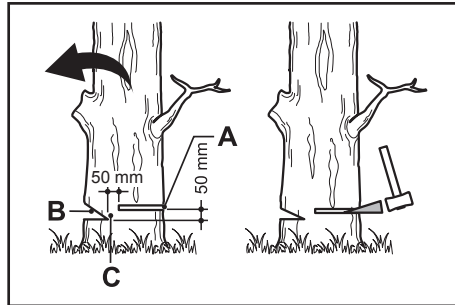


Fig. 9b

## Felling back cut

1. Make the felling back cut (Fig. 9b, A) at least 50 mm higher than the horizontal notching cut (Fig. 9b). Keep the felling back cut parallel to the horizontal notching cut. Make the felling back cut so enough wood is left to act as a hinge. The hinge (Fig. 9b, C) wood keeps the tree from twisting and falling in the wrong direction. Do not cut through the hinge.
2. As the felling gets close to the hinge, the tree should begin to fall. If there is any chance that the tree may not fall in desired direction or it may rock back and bind the saw chain, stop cutting before the felling back cut is complete and use wedges of wood, plastic or aluminium to open the cut and drop the tree along the desired line of fall.
3. When the tree begins to fall remove the product from the cut, stop the motor, put the product down, then use the retreat path planned. Be alert for overhead limbs falling and watch your footing.

## Limbing and pruning

Limbing is removing the branches from a fallen tree. When limbing leave larger lower limbs to support the log off the ground. Remove the small limbs in one cut (Fig. 10). Branches under tension should be cut from the bottom up to avoid binding the product.

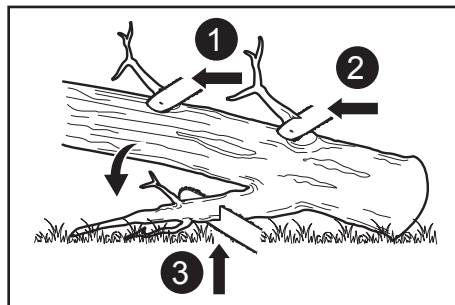


Fig. 10



**Warning!** Never climb into a tree to limb or prune! Do not stand on ladders, platforms, logs, or in any position which may cause you to lose the balance or control of the saw! When pruning trees, it is important not to make the flush cut next to main limb or trunk until you have cut off the limb further out to reduce the weight! This prevents stripping the bark from the main member!



**Warning!** If the limbs to be pruned are above chest height, hire a professional to perform the pruning!

## Cutting spring poles

A spring pole is any log, branch, rooted stump, or sapling which is bent under tension by other wood so that it springs back if the wood holding it is cut or removed (Fig. 11).



Fig. 11

On a fallen tree, a rooted stump has a high potential of springing back to the upright position during the bucking cut to separate the log from the stump.

Watch out for spring poles, they are dangerous.

## Bucking a log

Bucking or cross-cutting is cutting a log into lengths. It is important to make sure your footing is firm and your weight is evenly distributed on both feet. When possible, the log should be raised and supported by the use of limbs, logs or chocks.

1. Follow the simple directions for easy cutting.  
When the log is supported along its entire length (Fig. 12a), it is cut from the top (overbuck).

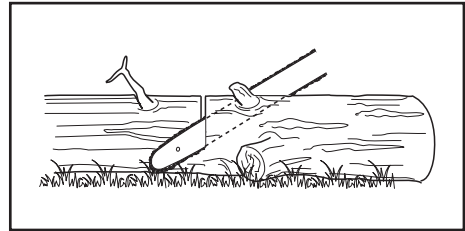


Fig. 12a

2. When the log is supported on one end (Fig. 12b), cut 1/3 the diameter from the underside (underbuck). Then make the finished cut by overbucking to meet the first cut.

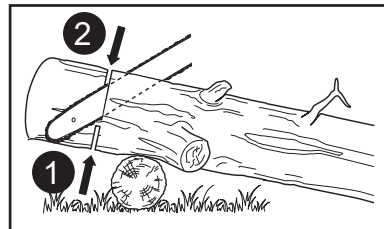


Fig. 12b

- When the log is supported on both ends (Fig. 12c), cut 1/3 the diameter from the top (overbuck). Then make the finished cut by underbucking the lower 2/3 to meet the first cut.

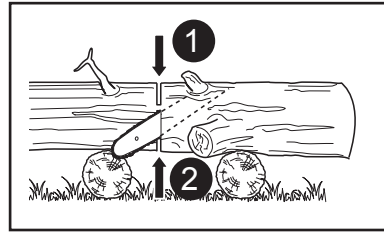


Fig. 12c

- When bucking on a slope always stand on the uphill side of the log (Fig. 12d). When “cutting through”, to maintain complete control release the cutting pressure near the end of the cut without relaxing your grip on the product handles. Don't let the chain contact the ground. After completing the cut, wait for the saw chain to stop before you move the product. Always stop the motor before moving from tree to tree.

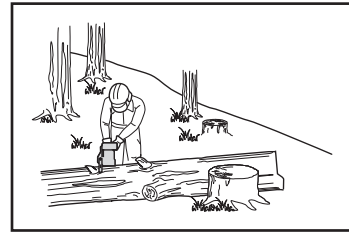


Fig. 12d

- Support small logs on a sawing stand or another log while bucking (Fig. 12e).

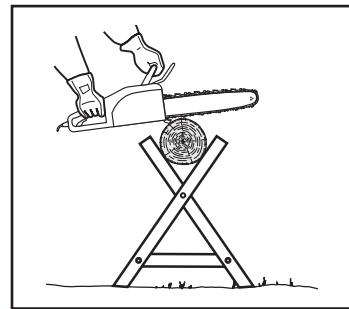


Fig. 12e

- If the wood diameter is large enough for you to insert a soft bucking wedge without touching the chain, you should use the wedge to hold the cut open to prevent pinching (Fig. 12f).

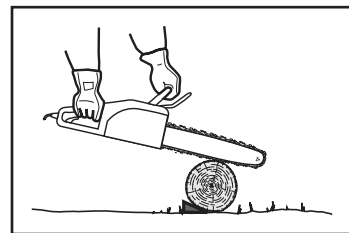


Fig. 12f

## After use

- Switch the product off, disconnect it from the power supply and let it cool down.
- Check, clean and store the product as described below.

### The golden rules for care



**WARNING!** Always switch the product off, disconnect it from the power supply and let the product cool down before performing inspection, maintenance and cleaning work!

1. Keep the product clean. Remove debris from it after each use and before storage.
2. Regular and proper cleaning will help ensure safe use and prolong the life of the product.
3. Inspect the product before each use for worn and damaged parts. Do not operate it if you find broken and worn parts.



**WARNING!** Only perform repairs and maintenance work according to these instructions! All further works must be performed by a qualified specialist!

### General cleaning

1. Clean the product with a dry cloth. Use a brush for areas that are hard to reach.
2. In particular clean the air vents (19) after every use with a cloth and brush.
3. Remove stubborn dust with high pressure air (max. 3 bar).



**NOTE:** Do not use chemical, alkaline, abrasive or other aggressive detergents or disinfectants to clean this product as they might be harmful to its surfaces.

4. Check for worn or damaged parts. Replace worn parts as necessary or contact an authorised service centre for repair before using the product again.

### Sprocket wheel



**NOTE:** It is not necessary to remove the saw chain (3) to lubricate the sprocket wheel. Lubrication can be done on the job.

1. Clean the sprocket wheel (5).
2. Using a disposable lube gun, insert the needle nose into the lubrication hole (Fig. 13, A) and inject grease until it appears at the outside edge of the sprocket wheel (5) (Fig. 13).

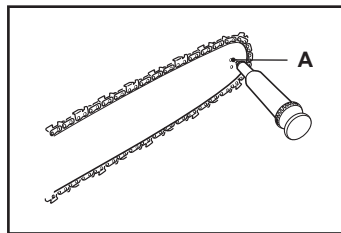


Fig. 13

3. Make sure that the chain brake is disengaged. Rotate the saw chain (3) by hand. Repeat the lubrication procedure until the entire sprocket (5) has been greased.

## Guide bar and saw chain maintenance

Most guide bar problems can be prevented merely by keeping the product well maintained. Incorrect filing and non-standard cutter and depth gauge settings are the causes of most guide bar problems, primarily resulting in uneven bar wear. As the bar wears unevenly, the rails widen, which may cause the chain to clatter and make it difficult to complete straight cuts. If the guide bar is insufficiently lubricated and the product is operated with a saw chain which is too tight, this will contribute to rapid bar wear. To help minimise bar wear, maintenance of the guide bar as well as the saw chain is recommended.

1. Disassemble the guide bar (4) and saw chain (3) in reversed order from assembly.
2. Check the oiling port (11) for clogging and clean if necessary to ensure proper lubrication of the guide bar and saw chain during operation. Use a soft wire small enough to insert into the oil discharge hole (Fig. 14a).

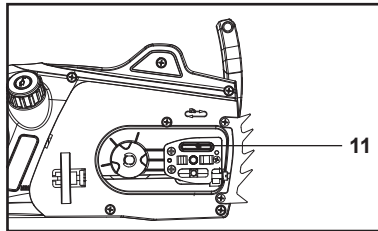


Fig. 14a

**i** **NOTE:** The condition of the oil passages can be easily checked. If the passages are clear, the chain will automatically give off a spray of oil within seconds of the product starting. Your product is equipped with an automatic oiling system.

3. Check the drive sprocket (12). If it is worn or damaged due to strain, have it replaced by an authorised service centre.
4. Clear residue from the rails on the guide bar (4) using a screwdriver, putty knife, wire brush or other similar tool. This will keep the oil passages open to provide proper lubrication to the guide bar (4) and saw chain (3) (Fig. 14b).
5. Regularly check the guide bar rail for abnormal wear. Both sides of the rail should remain at the same height when viewed along the rail edge. Abnormal wear as seen in (Fig. 14c) indicates that the bar needs to be replaced.

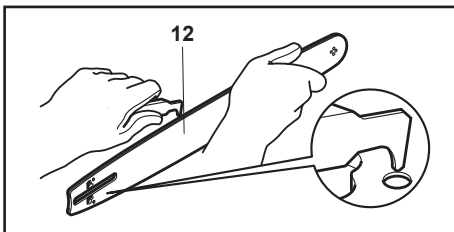


Fig. 14b

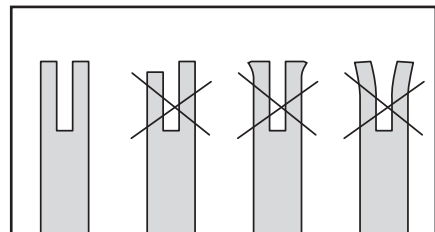


Fig. 14c

6. Turn the guide bar 180° to allow even wear, thereby extending the life span of the guide bar (4).
7. Check the saw chain for possible wear and damages. Replace it with a new one if required. Experienced user can sharpen a dull saw chain (see section "Saw chain sharpening" below).
8. Refit the saw chain (3) and the guide bar (4) as described under "Assembly".

## Saw chain sharpening



**NOTE:** Never saw with a blunt chain. The saw chain is blunt if you have to push the product into the tree and the chips are very small.

1. Have the saw chain (3) sharpened professionally at an authorised service centre or sharpen the chain yourself by using a proper sharpening kit. Also observe the sharpening instructions supplied with the sharpening kit.



**WARNING!** Only sharpen the saw chain yourself if you are trained and have experience! Use proper tools to sharpen the saw chain!

2. The height difference between the tooth and the ridge is the cutting depth. When sharpening the saw chain (3) you have to consider the following points (Fig. 15a).

- File angle
- Cutting angle
- File position
- Diameter of round file
- File depth

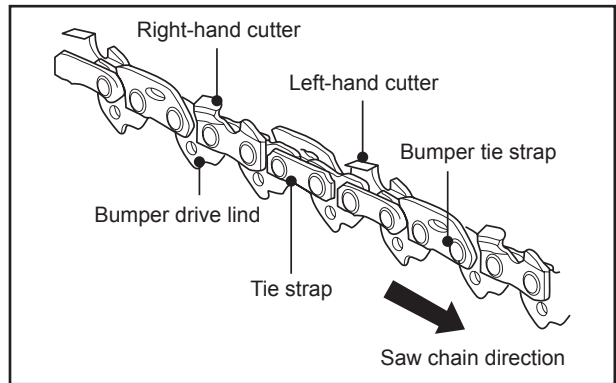


Fig. 15a

3. To sharpen the chain proceed as follows:
  - Use protective gloves.
  - Ensure the chain is correctly tensioned.
  - Engage the chain brake to lock the chain on the bar.
4. Use a chain file, whose diameter is 1.1 times the cutting tooth depth. Make sure 20% of the file diameter is above the cutter's top plate.



**NOTE:** A file guide is available from most reputable tool merchants and is the easiest way to hold the file at the correct position.

5. File at an angle perpendicular to the bar, and at an angle of 25° to the direction of travel (Fig. 15b).

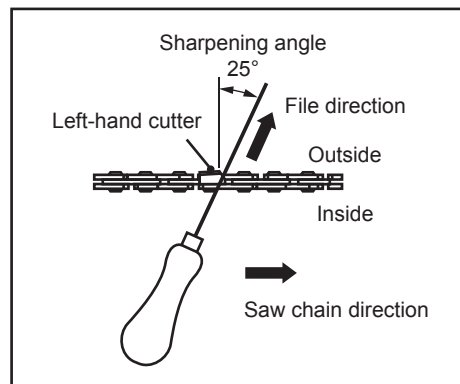
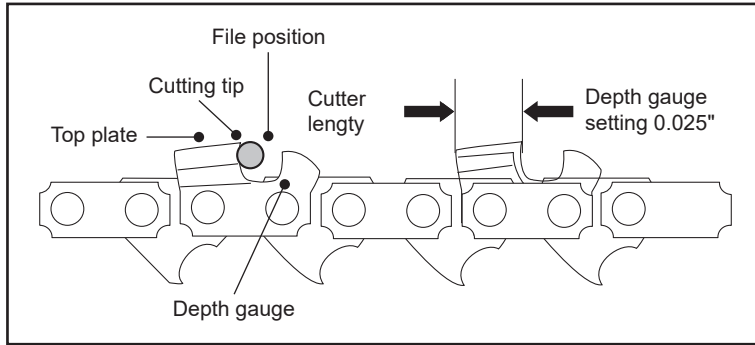


Fig. 15b

6. File each tooth from the inside towards outside only. File one side of the chain first than turn the saw around and repeat the process.
7. Sharpen each tooth equally by using the same number of strokes.
8. Keep all cutter lengths equal. Check the safety depth gauge height every 5 sharpenings. If the depth gauges are also trimmed it is essential that the original profile be restored.
9. Use a depth gauge measuring instrument to check the height of the depth gauge. Depth gauge measuring jigs are available from most reputable tool merchants (Fig. 15c).



**Fig. 15c**

## Repair

This product does not contain any parts that can be repaired by the consumer. Contact an authorised service centre or a similarly qualified person to have it checked and repaired.

## Storage

1. Clean the product as described above.
2. Store the product and its accessories in a dry, frost-free, wellventilated place.
3. Always store the product in a place that is inaccessible to children. The ideal storage temperature is between 10 and 30°C.
4. We recommend covering the product with a suitable cloth to protect it against dust.
5. Empty the tank if you are not going to use the product for an extended period of time (more than 3 months) and before storing it for the winter.

## Transportation

1. Switch the product off and disconnect it from power supply before transporting it anywhere.
2. Attach transportation guards, if applicable.
3. Always carry the product by its handles.
4. Protect the product from any heavy impact or strong vibrations which may occur during transportation in vehicles.
5. Secure the product to prevent it from slipping or falling over.

## Spare parts

The following parts of this product may be replaced by the consumer.

Spare parts are available at an authorised dealer or through our customer service.

Description	Model no. or Specification
Saw chain	OREGON Oregon 91PJ056X (TTL758CHN-A) Oregon 91PJ057X (NMCS2000)
Guide bar	OREGON 160SDEA041



## Power cord

If the replacement of the supply cord is necessary, this has to be done by the manufacturer or his agent in order to avoid a safety hazard

### Plug replacement (for UK only)

If you need to replace the fitted plug, then follow the instructions below.

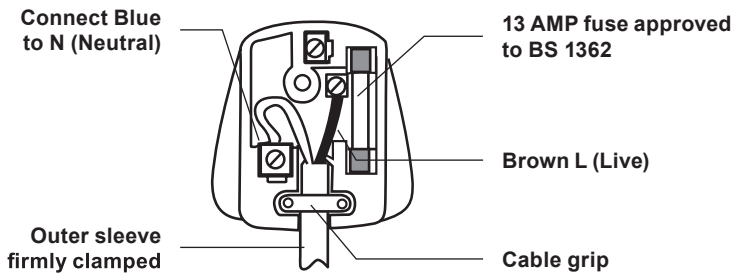


**IMPORTANT:** The wires in the mains lead are coloured in accordance with the following code:

Blue - Neutral

Brown - Live

As the colours of the wire in the mains lead of this product may not correspond with the coloured marking identifying the terminals in your plug, proceed as follows. The wire, which is coloured blue, must be connected to the terminal, which is marked with N or coloured black. The wire, which is coloured brown, must be connected to the terminal, which is marked L or coloured red.



**WARNING!** Never connect live or neutral wires to the earth terminal of the plug, which is marked with E.

Only fit an approved 13 Amp BS 1363 or BS 1363/A plug and the correctly rated fuse. If in doubt, consult a qualified electrician.



**NOTE:** If a moulded plug is fitted and has to be removed take great care in disposing of the plug and severed cable, it must be destroyed to prevent engaging into a socket.

## Troubleshooting

Suspected malfunctions are often due to causes that the users can fix themselves. Therefore check the product using this section. In most cases the problem can be solved quickly.



**WARNING!** Only perform the steps described within these instructions! All further inspection, maintenance and repair work must be performed by an authorised service centre or a similarly qualified specialist if you cannot solve the problem yourself!

Problem	Possible cause	Solution
1. Product does not start	1.1. Not connected to power supply	1.1. Connect to power supply
	1.2. Power cord or plug is defective	1.2. Check by a specialist electrician
	1.3. Other electrical defect to the product	1.3. Check by a specialist electrician
2. Product does not reach full power	2.1. Extension cord not suitable for operation with this product	2.1. Use a proper extension cord
	2.2. Power source (e.g. generator) has too low voltage	2.2. Connect to another power source
	2.3. Air vents are blocked	2.3. Clean the air vents
3. Unsatisfactory cutting performance	3.1. Saw chain is not tensioned properly	3.1. Tension properly
	3.2. Blunt saw chain	3.2. Sharpen or replace the saw chain
4. Excessive vibration or noise	4.1. Saw chain is dull/damaged	4.1. Replace with a new one
	4.2. Bolts/nuts are loose	4.2. Tighten bolts/nuts

## Recycling and disposal



Waste electrical products should not be disposed of with household waste. Please recycle where facilities exist.

Check with your Local Authority or local store for recycling advice.

**For further information visit [www.recycle-more.co.uk](http://www.recycle-more.co.uk).**

The product comes in a package that protects it against damage during shipping. Keep the package until you are sure that all parts have been delivered and the product is working properly. Recycle the package afterwards.

## EN Guarantee

---

We take special care to select high quality materials and use manufacturing techniques that allow us to create products incorporating design and durability. This product has a manufacturer's guarantee of 2 years against manufacturing defects, from the date of purchase (if bought in store) or date of delivery (if bought online), at no additional cost for normal (non-professional or commercial) household use.

To make a claim under this guarantee, you must present your proof of purchase (such as a sales receipt, purchase invoice or other evidence admissible under applicable law), please keep your proof of purchase in a safe place. For this guarantee to apply, the product you purchased must be new, it will not apply to second hand or display products. Unless stated otherwise by applicable law, any replacement product issued under this guarantee will only be guaranteed until expiry of the original period guarantee period.

This guarantee covers product failures and malfunctions provided the product was used for the purpose for which it is intended and subject to installation, cleaning, care and maintenance in accordance with the information contained in these terms and conditions, in the user manual and standard practice, provided that standard practice does not conflict with the user manual.

This guarantee does not cover defects and damage caused by normal wear and tear or damage that could be the result of improper use, faulty installation or assembly, neglect, accident, misuse, or modification of the product. Unless stated otherwise by applicable law, this guarantee will not cover, in any case, ancillary costs (shipping, movement, costs of uninstalling and reinstalling, labour etc), or direct and indirect damage.

This guarantee does not cover defects and damage caused by or resulting from:

- Normal wear and tear
- Overload, misuse or neglect
- Repairs attempted by anyone other than an authorised agent
- Cosmetic damage
- Damage caused by foreign objects, substances or accidents
- Accidental damage or modification
- Failure to follow manufacturer's guidelines
- Loss of use of the goods

If the product is defective, we will, within a reasonable time, repair, replace or provide spare parts.

Rights under this guarantee are enforceable in the country in which you purchased this product. Guarantee related queries should be addressed to the store you purchased this product from.

The guarantee is in addition to and does not affect your statutory rights.





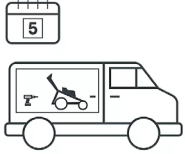
**IMPORTANT - RETAIN THIS INFORMATION  
FOR FUTURE REFERENCE:  
READ CAREFULLY**

# Customer care and technical helpline

## A better way to repair your tools

Kingfisher takes special care in creating high-quality garden power tools that are designed to last. But if a fault develops with your garden power tool and you need to claim under the guarantee, the Customer Care and Technical Helpline can support with technical assistance or if required, arrange a free courier collection from your home, assess your garden power tool for fault, repair it, and return it.

Deciding to repair your product rather than buying a replacement and adding to the mountain of waste is a more sustainable choice and you will be doing your bit for the environment.

How does it work?				
				
Step 1	Step 2	Step 3	Step 4	Step 5
Find your proof of purchase and get in touch with the Customer Care and Technical Helpline.	Chat to them about the problem with your tool.	They will provide technical and user advice or alternatively arrange a courier collection from your home.*	The team will assess and test and if necessary, repair your product back to full working order.	Your repaired tool will be returned to you via courier within 5 working days*.

### Get in touch

If you need help or more information, please contact the Customer Care and Technical Helpline:

UK: 0800 0789647

Eire: 1800 932226

Opening hours are Monday – Friday, 8am-5pm

### Availability of spare parts

Contact the customer service helpline for assistance or visit [www.kingfisherspares.com](http://www.kingfisherspares.com)

For assistance contact the customer services helpline:

UK 0800 0789647 [uk@Kingfisherservice.com](mailto:uk@Kingfisherservice.com)

EIRE 1800 932226 [eire@kingfisherservice.com](mailto:eire@kingfisherservice.com)

Further information about this product can also be found at:

[www.kingfisher.com/products](http://www.kingfisher.com/products)



(UK) DECLARATION OF CONFORMITY

Product

Electrical chainsaw 2000W  
TTL758CHN-A  
Serial number range 000001 to 999999

Name and address of the manufacturer or his authorised representative:

Kingfisher International Products Limited  
1 Paddington Square  
London  
W2 1GG  
United Kingdom

This declaration of conformity is issued under the sole responsibility of the manufacturer.

Object of the declaration

Product	Model	EAN
Electrical chainsaw 2000W	TTL758CHN-A	5059340880709

The object of the declaration described above is in conformity with the relevant legislation:

Supply of Machinery (Safety) Regulations 2008 as amended  
Noise Emission in the Environment by Equipment for Use Outdoors Regulations 2001 as amended  
Electromagnetic Compatibility Regulations 2016 as amended  
The Restriction of the use of Certain Hazardous Substances in Electrical and Electronic Equipment Regulations 2012 as amended

Measured Sound Power Level: 108.02 dB(A)  
Guaranteed Sound Power Level: 110 dB(A)

References to the relevant designated standards used or references to the other technical specifications in relation to which conformity is declared:

EN 62841-1:2015+A11  
EN 62841-4-1:2020  
BS EN IEC 55014-1:2021  
BS EN IEC 61000-3-2:2019+A1  
BS EN 55014-1:2017+A11  
BS EN 61000-3-2:2014  
BS EN IEC 55014-2:2021  
BS EN IEC 61000-3-11:2019  
BS EN 55014-2:1997+A2  
BS EN 61000-3-11:2001  
EN ISO 3744:1995

Authorised signatory and technical file holder:

Kingfisher International Products Limited  
1 Paddington Square  
London  
W2 1GG  
United Kingdom

David Awe  
Group Quality Director

On [28/04/2023]



(EN) EU DECLARATION OF CONFORMITY  
(FR) DÉCLARATION UE DE CONFORMITÉ  
(PL) DEKLARACJA ZGODNOŚCI UE  
(RO) DECLARAȚIA DE CONFORMITATE UE  
(ES) DECLARACIÓN UE DE CONFORMIDAD  
(PT) DECLARAÇÃO DE CONFORMIDADE UE

Product/ Produit/ Produkt/Produsul/Producto/Produto

Electrical chainsaw 2000W  
TTL758CHN-A  
Serial number range 000001 to 999999

Name and address of the manufacturer or his authorised representative:

Nom et adresse du fabricant ou de son mandataire:

Nazwa i adres producenta lub jego upoważnionego przedstawiciela:

Denumirea și adresa producătorului sau a reprezentantului său autorizat:

Nombre y dirección del fabricante o de su representante autorizado:

Nome e endereço do fabricante ou do respetivo mandatário:

Kingfisher International Products B.V.,  
Rapenburgerstraat 175E,  
1011 VM Amsterdam,  
The Netherlands

This declaration of conformity is issued under the sole responsibility of the manufacturer.

La présente déclaration de conformité est établie sous la seule responsabilité du fabricant.

Niniejsza deklaracja zgodności wydana zostaje na wyłączną odpowiedzialność producenta.

Prezenta declarație de conformitate este emisă pe răspunderea exclusivă a producătorului.

La presente declaración de conformidad se expide bajo la exclusiva responsabilidad del fabricante.

A presente declaração de conformidade é emitida sob a exclusiva responsabilidade do fabricante.

Object of the declaration/Objet de la déclaration/Przedmiot deklaracji/Obiectul declarației/Objeto de la declaración/Objeto da declaração

Product/Produit/Produkt/Produsul/Producto/  
Produto

Model/Modèle/Model/Modelul/Modelo/  
Modelo

EAN

Electrical chainsaw 2000W

TTL758CHN-A

5059340880709

The object of the declaration described above is in conformity with the relevant Union harmonisation legislation:

L'objet de la déclaration décrit ci-dessus est conforme à la législation d'harmonisation de l'Union applicable:

Wymieniony powyżej przedmiot niniejszej deklaracji jest zgodny z odpowiednimi wymaganiami unijnego prawodawstwa harmonizacyjnego:

Obiectul declarației descris mai sus este în conformitate cu legislația relevantă de armonizare a Uniunii:

El objeto de la declaración descrita anteriormente es conforme con la legislación de armonización pertinente de la Unión:

O objeto da declaração acima descrito está em conformidade com a legislação de harmonização da União aplicável:

2006/42/EC as amended Machinery Directive

2014/30/EU as amended Directive Electromagnetic compatibility

2000/14/EC as amended Outdoor Noise Directive

2011/65/EU as amended Directive Restriction of the use of certain hazardous substances in electrical and electronic equipment

Directive 2006/42/CE relative aux machines

2014/30 / UE telle que modifiée Directive Compatibilité électromagnétique

Directive 2000/14/CE relative aux émissions sonores extérieures

Directive 2011/65/UE relative à la limitation de l'utilisation de certaines substances dangereuses dans les équipements électriques et électroniques

2006/42/WE w zmienionej dyrektywie maszynowej

2014/30 / UE ze zmianami Dyrektywa Kompatybilność elektromagnetyczna

2000/14/WE w zmienionej dyrektywie w sprawie hałasu na zewnątrz

2011/65 / UE ze zmianami Dyrektywa Ograniczenie stosowania niektórych niebezpiecznych substancji w sprzęcie elektrycznym i elektronicznym

2006/42/CE, astfel a fost modificată Directiva privind echipamentele

2014/30/UE, astfel a fost modificată Directiva privind compatibilitatea electromagnetică

2000/14/CE, astfel a fost modificată Directiva privind zgomotul în aer liber

2011/65/UE, astfel a fost modificată Directiva privind limitarea utilizării anumitor substanțe periculoase în echipamentele electrice și electronice

Directiva sobre maquinaria modificada 2006/42/CE

2014/30/UE modificada Directiva Compatibilidad electromagnética

2000/14/CE modificada Directiva sobre ruido al aire libre

2011/65/UE modificada Directiva Restricción del uso de determinadas sustancias peligrosas en equipos eléctricos y electrónicos

2006/42/CE como diretiva de máquinas alteradas

2014/30/UE como alteração da compatibilidade eletromagnético

2000/14/CE como diretiva de ruído exterior alterada

2011/65/UE como restrição diretiva alterada da utilização de certas substâncias perigosas em equipamentos elétricos e eletrônicos

2000/14/CE como diretiva de ruído exterior alterada  
2011/65/UE como restrição diretiva alterada da utilização de certas substâncias perigosas em equipamentos elétricos e eletrônicos

**Measured Sound Power Level**

Le niveau de puissance acoustique mesuré

Zmierzony poziom mocy akustycznej

Nivel de putere acustică măsurat

Nível de potência sonora medido

Nível de potência sonora medido

: 108.02 dB(A)

**Guaranteed Sound Power Level**

Le niveau de puissance acoustique garant

Gwarantowany poziom mocy akustycznej

Nivel de putere acustică garantat

Nível de potência sonora garantizado

Nível de potência sonora garantido

: 110 dB(A)

References to the relevant harmonised standards used or references to the other technical specifications in relation to which conformity is declared:

Références des normes harmonisées pertinentes appliquées, y compris la date de celles-ci, ou des autres spécifications techniques, y compris la date de celles-ci, par rapport auxquelles la conformité est déclarée:

Odwolania do odnośnych norm zharmonizowanych, które zastosowano, wraz z datą normy, lub do innych specyfikacji technicznych, wraz z datą specyfikacji, w odniesieniu do których deklarowana jest zgodność:

Trimiteri la standardele armonizate relevante folosite, inclusiv data standardului, sau trimiteri la celelalte specificații tehnice, inclusiv data specificațiilor, în legătură cu care se declară conformitatea:

Referencias a las normas armonizadas pertinentes utilizadas, incluidas las fechas de las normas, o referencias a las otras especificaciones técnicas, incluidas las fechas de las especificaciones, respecto a las cuales se declara la conformidad:

Referências às normas harmonizadas aplicáveis utilizadas, incluindo a data da norma, ou às outras especificações técnicas, incluindo a data da especificação, em relação às quais é declarada a conformidade:

EN 62841-1:2015+A11

EN 62841-4-1:2020

EN IEC 55014-1:2021

EN IEC 55014-2:2021

EN IEC 61000-3-2:2019+A1

EN IEC 61000-3-11:2019

EN ISO 3744:1995

Authorised signatory and technical file holder/signataire et responsable de la documentation technique autorisé/ podmiot uprawniony do wystawienia i adres przechowywania dokumentacji technicznej/semnatar autorizat și deținător al dosarului tehnic/firmante autorizado y titular del expediente técnico/ signatário autorizado e detentor da ficha técnica

Kingfisher International Products B.V.,

Rapenburgerstraat 175E,

1011 VM Amsterdam,

The Netherlands



David Awe  
Group Quality Director

: [28/04/2023]

---

**Manufacturer:**

**UK Manufacturer:**

Kingfisher International Products Limited,  
1 Paddington Square, London, W2 1GG,  
United Kingdom

**EU Manufacturer:**

Kingfisher International Products B.V.  
Rapenburgerstraat 175E  
1011 VM Amsterdam  
The Netherlands

**EN** [www.diy.com](http://www.diy.com)  
[www.screwfix.com](http://www.screwfix.com)  
[www.screwfix.ie](http://www.screwfix.ie)

**To view instruction manuals online,  
visit [www.kingfisher.com/products](http://www.kingfisher.com/products)**