

K 4 Classic

English
العربية

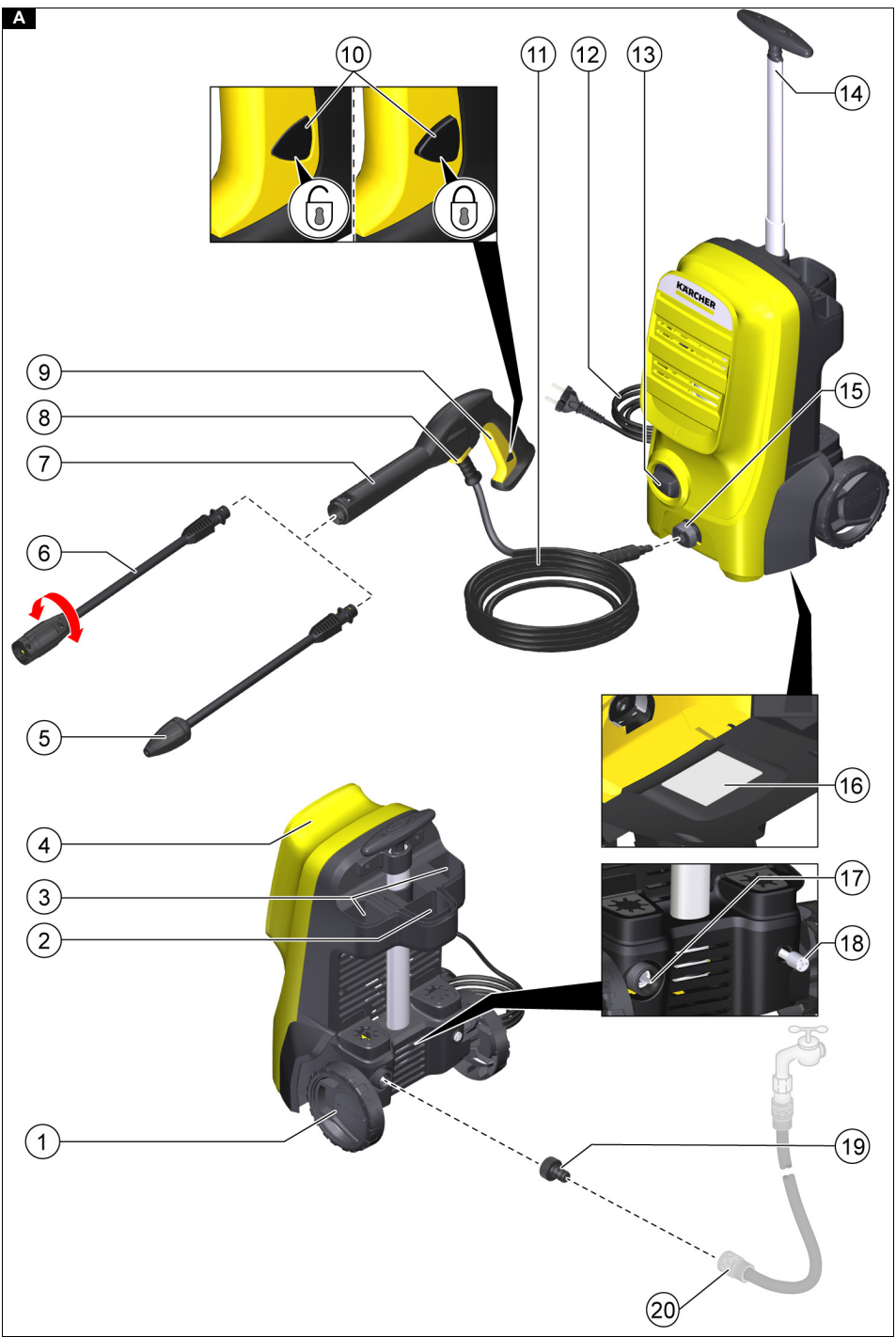


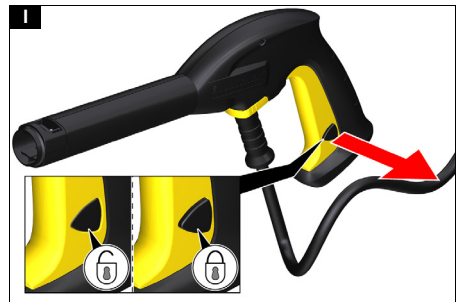
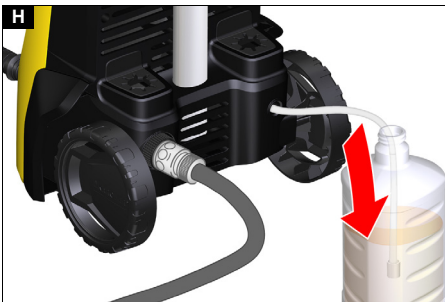
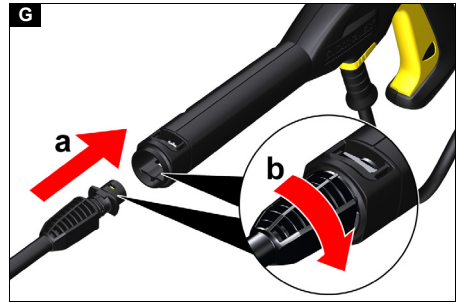
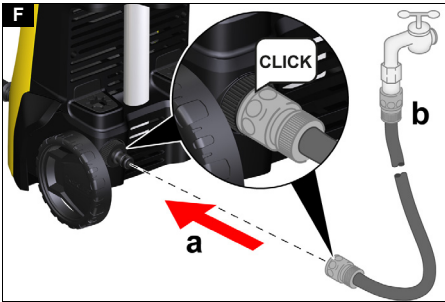
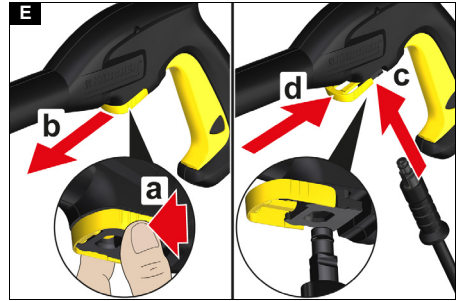
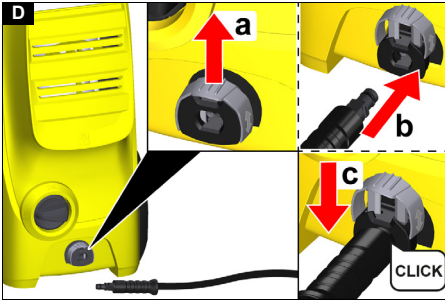
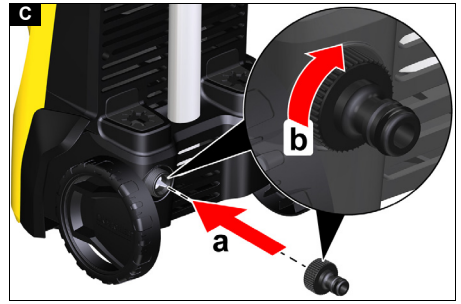
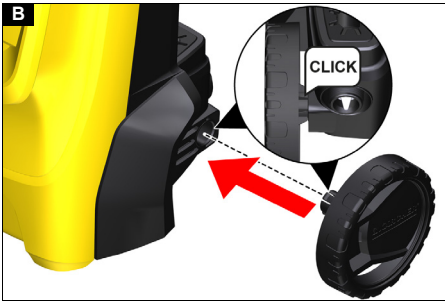
**Register
your product**
www.kärcher.com/welcome

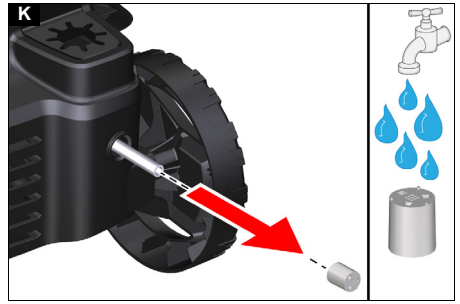
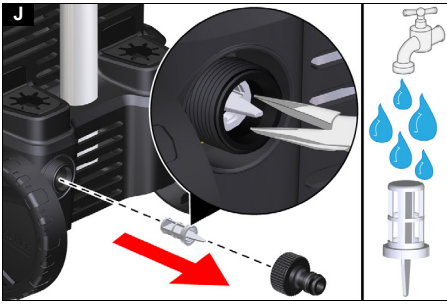


59802410 (10/23)

A







Contents

Safety instructions	5
Environmental protection	6
Intended use	6
Accessories and spare parts	6
Scope of delivery	6
Device description	7
Safety devices	7
Symbols on the device	7
Mounting	7
Initial startup	7
Operation	8
Transport	8
Storage	9
Care and service	9
Troubleshooting guide	9
Warranty	9
Technical data	10
Declaration of Conformity	10
EU Declaration of Conformity	10

Safety instructions



Read this safety chapter and these original instructions before using the device for the first time. Act in accordance with them. Keep the original instructions for future reference or for future owners.

- In addition to the notes in the operating instructions, you also need to take into consideration the general safety regulations and accident prevention guidelines applicable by law.
- Warnings and information notices attached to the device provide important information for hazard-free operation.

Hazard levels

⚠ DANGER

- Indication of an imminent threat of danger that will lead to severe injuries or even death.

⚠ WARNING

- Indication of a potentially dangerous situation that may lead to severe injuries or even death.

⚠ CAUTION

- Indication of a potentially dangerous situation that may lead to minor injuries.

ATTENTION

- Indication of a potentially dangerous situation that may lead to damage to property.

Operation

⚠ DANGER • Operation in explosive atmospheres is prohibited. • Never suction solvents, liquids containing solvents or undiluted acids. This includes e.g. petrol, paint thinner or heating oil. The spray mist is highly flammable, explosive and poisonous. • Damaged wheels / tyre valves are extremely dangerous. Damaged wheels / tyre valves can be damaged by the high-pressure jet and explode. The first sign of this is discolouration of the tyres. Keep a spray distance of at least 30 cm when cleaning the wheels / tyre valves.

⚠ WARNING • Do not use the device if people without the proper protective clothing are in its reach. • Do not aim the high-pressure jet at yourself, e.g. to clean clothes or shoes. • Do not direct the high-pressure jet at persons, animals, live electrical equipment or at the device itself. • Do not spray any objects which contain harmful substances (e.g. asbestos). • Check the device and the accessories, such as the high-pressure hose, high-pressure gun and safety devices, to make sure they are in proper safe and reliable condition before each operation. Do not use the device if it is damaged. Replace damaged components immediately. • Only use high-pressure hoses, control panels and couplings specified by the manufacturer. • Risk of scalding. When disconnecting the supply or high-pressure hose, hot water can leak out of the connections after operation.

⚠ CAUTION • According to the applicable regulations, the appliance may never be used with the drinking water network without a system separator. Ensure that the connection to your house water system, with which the high-pressure cleaner is operated, is equipped with a system separator according to EN 12729 type BA. • Water that has flowed through a system separator is no longer classified as drinkable. • Never leave the device unsupervised while it is in operation. • Recoil force from the water stream emerging at the high-pressure nozzle acts on the high-pressure gun. Keep proper footing and hold the high-pressure gun and spray lance firmly. • Accidents or damage due to the device falling over. Before all actions with or on the device, you must make sure that it is stable.

ATTENTION • Do not operate the device at temperatures below 0 °C.

Protective gear

⚠ CAUTION • Wear suitable protective clothing and safety goggles to protect yourself from water or dirt backsplash. • Aerosols can be formed when using high-pressure cleaners. Inhaling aerosols can be harmful for your health. Depending on the application, the use of fully shielded nozzles (e.g. surface cleaners) can significantly lower the emission of aqueous aerosols. Depending on the environment to be cleaned, wear a suitable respiratory protective mask of class FFP 2 or comparable to protect yourself from inhaling aerosols if the use of a fully shielded nozzle is not possible.

Risk of electric shock

⚠ DANGER • Only connect protection class I devices to properly earthed power sources. • Only connect the device to alternating current. The voltage indicated on the type plate must match the voltage of the power source. • Only operate the device via a fault current protection switch (maximum 30 mA). • Never touch the mains plug and socket with wet hands. • The mains plug and coupling of the extension cable must be water tight and may not be placed in water. The coupling may not be on the floor. Use cable drums to ensure that the sockets are at least 60 mm above the floor. • All live parts in the work area must be protected against water jets.

⚠ WARNING • Only connect the device to an electrical connection which has been set up by a qualified electrician as per IEC 60364-1. • Check that the mains connection cable with mains plug is undamaged each time before using the device. To avoid any possible danger, a damaged mains connection cable must be immediately replaced by the manufacturer, or the authorised customer service department or a qualified electrician. • Do not damage the power supply and extension cable by running over it, crushing or yanking it or similar. Protect the power supply cable from heat, oil and sharp edges. • Unsuitable electrical extension cables are dangerous. Only use approved and appropriately marked electrical extension cables with a sufficient line cross section when outdoors: 1-10 m : 1.5 mm², 10-30 m : 2.5 mm²

⚠ CAUTION • Always fully unwind the extension cable from the cable drum. • In case of longer breaks in operation and after use, switch off the device at the main switch / device switch and pull the mains plug.

Operation with detergent

⚠ WARNING • Incorrect use of detergents can cause serious injuries or poisoning.

⚠ CAUTION • Keep the detergent out of the reach of children. • Only use the detergents supplied or specified by the manufacturer. The use of other detergents or chemicals can impair the safety of the device.

Care and service

⚠ WARNING • Always pull out the mains plug before all care and maintenance work.

⚠ CAUTION • Have repair work and work on electrical components carried out by the authorised customer service only.

ATTENTION • Do not use acetone, undiluted acids or solvents, as they corrode the materials used on the device.

Transportation

⚠ CAUTION

• Risk of accidents and injuries. Take into account the weight of the device for transportation and storage. See chapter Technical data in the operating instructions.

General safety instructions

⚠ DANGER • Risk of asphyxiation. Keep packaging film out of the reach of children.

⚠ WARNING • Only use the device for its proper use. Take into account the local conditions and beware of third parties, in particular children, when working with the device. • Persons with reduced physical, sensory or mental capabilities and persons lacking experience and knowledge may only use the appliance if they are properly supervised, have been instructed on use of the appliance safely by a person responsible for their safety, and understand the resultant hazards involved. • Children must not operate the device. • Children must be supervised to prevent them from playing with the appliance.

⚠ CAUTION • Safety devices are provided for your own protection. Never modify or bypass safety devices.

Environmental protection



The packing materials can be recycled. Please dispose of packaging in accordance with environmental regulations.



Electrical and electronic devices contain valuable, recyclable materials and often components such as batteries, rechargeable batteries or oil,

which - if handled or disposed of incorrectly - can pose a potential danger to human health and the environment. However, these components are required for the correct operation of the device. Devices marked by this symbol are not allowed to be disposed of together with the household rubbish.



Cleaning work producing in oily waste water, e.g. washing engines, washing undercarriages etc., may only be performed at washing stations with an oil separator.



Working with detergents may only be performed on watertight surfaces with connection to the waste water sewage system. Do not allow detergent to enter waterways or the soil.



Extraction of water from public waterways is not permitted in some countries.

Notes on the content materials (REACH)

Current information on content materials can be found at: www.kaercher.de/REACH

Intended use

Use the high-pressure cleaner in private households only.

The high-pressure cleaner is intended for cleaning machines, vehicles, buildings, tools, façades, terraces, garden machines etc. using a high-pressure water jet.

Accessories and spare parts

Only use original accessories and original spare parts. They ensure that the appliance will run fault-free and safely.

Information on accessories and spare parts can be found at www.kaercher.com.

Scope of delivery

The scope of delivery for the appliance is shown on the packaging. Check the contents for completeness when unpacking. If any accessories are missing or in the event of any shipping damage, please notify your dealer.

Device description

For the figures, please refer to the graphics page
Illustration A

- ① Transport wheel
 - ② Storage for high-pressure gun
 - ③ Storage for spray lance
 - ④ Storage for high-pressure hose / mains connection cable
 - ⑤ Spray lance dirt grinder for stubborn soiling
 - ⑥ Vario Power spray lance for common cleaning tasks
The working pressure can be continuously increased from "SOFT" to "HARD". To adjust the working pressure, release the trigger gun lever and turn the spray lance to the desired position. Detergent can be added to the water jet when the spray lance is turned all the way in the SOFT direction.
 - ⑦ High-pressure gun
 - ⑧ Clamp for connecting / disconnecting the high-pressure hose
 - ⑨ High-pressure gun lever
 - ⑩ High-pressure gun lock
 - ⑪ High-pressure hose
 - ⑫ Mains connection cable with mains plug
 - ⑬ Trigger "0/OFF" / "I/ON"
 - ⑭ Transport handle, extendable
 - ⑮ High-pressure connection
 - ⑯ Type plate
 - ⑰ Water connection with integrated sieve
 - ⑱ Detergent suction hose
 - ⑲ Coupling for the water connection
 - ⑳ *Garden hose (fabric reinforced, diameter at least 1/2 inch (13 mm), length at least 7.5 m, with commercially available quick coupling)
- * additionally required

Safety devices

⚠ CAUTION

Missing or modified safety devices!

Safety devices are provided for your own protection. Do not bypass, remove or render ineffective any safety devices.

Power switch

The power switch prevents unintentional operation of the device.

High-pressure gun lock

The lock locks the lever of the high-pressure gun and prevents the device from starting unintentionally.

Auto-stop function

If the lever of the high-pressure gun is released, the pressure switch turns off the pump and the high-pressure jet stops. The pump switches on again when the lever is pressed.

Symbols on the device



Do not aim the high-pressure jet may at persons, animals, live electrical equipment or the device itself.

Protect the device against frost.



The device may not be connected to the public drinking water network.

Mounting

For the figures, please refer to the graphics page.

Fit the supplied loose parts onto the device before starting up the device.

Installing the wheels

1. Install the wheels on the device so that they latch into place.

Illustration B

Installing the water connection coupling

1. Screw the water connection coupling onto the water connection on the device.

Illustration C

Initial startup

1. Place the device on a flat and level surface.
2. Unwind the high-pressure hose and eliminate any loops and twists.
3. Connect the high-pressure hose to the device.
 - a Pull up the clamp on the coupling.
 - b Insert the high-pressure hose into the coupling.
 - c Press down the clamp on the coupling.

Illustration D

4. Connect the high-pressure hose to the high-pressure gun.
 - a Squeeze the clamp.
 - b Pull out the clamp.
 - c Insert the high-pressure hose.
 - d Press the clamp in until it latches into place.

Illustration E

5. Check for a secure connection by pulling on the high-pressure hose.
6. Plug the mains plug into a mains socket.

Water supply

For the connection values, see the type plate or chapter *Technical data*.

Observe the water distribution company regulations.

ATTENTION

Damage through contaminated water

Contamination in the water can damage the pump and the accessories.

KÄRCHER recommends using the KÄRCHER water filter for protection (special accessory, order number 4.730-059).

Connection to the water line

ATTENTION

Hose coupling with Aquastop on the water connection of the device

Damage to the pump

Never use a hose coupling with Aquastop on the water connection of the device.

You can use an Aquastop coupling on the tap.

1. Plug the garden hose onto the water connection coupling.
2. Connect the garden hose to the water line.

Illustration F

3. Open the water tap fully.

Sucking water from open containers

When used with the KÄRCHER suction hose with check valve (special accessory, order number 2.643-100) this high-pressure cleaner is suitable for sucking up surface water, e.g. from rain barrels or ponds (for the maximum suction height see chapter *Technical data*).

The water connection coupling is not required for vacuuming operation.

1. Fill the suction hose with water.
2. Screw the suction hose onto the device water connection and hang it in a water source (e.g. water butt).

Vent the device

1. Switch the device on "I/ON".
2. Unlock the lever of the high-pressure gun.
3. Press the lever of the high-pressure gun.
The device switches on.
4. Allow the device to run a maximum of 2 minutes until the water escaping from the high-pressure gun is free of air bubbles.
5. Release the lever of the high-pressure gun.
6. Lock the lever of the high-pressure gun.

Operation

ATTENTION

Dry running of pump

Damage to the device

If the device does not build up any pressure within 2 minutes, switch off the device and proceed according to the instructions in chapter Troubleshooting guide.

High-pressure operation

ATTENTION

Damage to painted or sensitive surfaces

Surfaces can be damaged when the jet is too close to the surface or an unsuitable spray lance is used.

Maintain a minimum spray distance of 30 cm when cleaning painted surfaces.

Do not clean car tyres, paint or sensitive surfaces such as wood with the dirt blaster.

1. Insert a spray lance into the high-pressure gun and lock it by turning it 90°.

Illustration G

2. Switch the device on ("I/ON").
3. Unlock the lever of the high-pressure gun.
4. Press the lever of the high-pressure gun.
The device switches on.

Operation with detergent

⚠ DANGER

Failure to adhere to the safety data sheet

Incorrect handling of the detergent can seriously damage your health

Observe the safety data sheet of the detergent manufacturer, in particular the instructions on personal protective equipment.

Note

KÄRCHER detergents ensure fault-free operation. Ask us for a consultation, request our catalog or our detergent information sheets.

Note

Detergent can only be mixed into the jet at low pressure.

1. Pull the suction hose for the detergent out of the casing to the desired length.

Illustration H

2. Hang the detergent suction hose in a container with detergent solution.
3. Use the Vario Power spray lance.
4. Turn the spray lance all the way into the "SOFT" position.
The detergent solution is mixed with the water jet during operation.

Recommended cleaning method

1. Spray the detergent sparingly on the dry surface and let it work for a while (do not let it dry).
2. Rinse off the loosened dirt with the high-pressure jet.

After operation with detergent

1. Flush the device with clear water for approx. 30 seconds.

Interrupting operation

1. Release the lever of the high-pressure gun.
The device switches off when the lever is released. The high pressure in the system is retained.
2. Lock the lever of the high-pressure gun.
Illustration I
3. Switch the device off "0/OFF" during work breaks longer than 5 minutes.

Ending operation

⚠ CAUTION

Pressure in the system

Injuries from high-pressure water escaping uncontrollably

Only disconnect the high-pressure hose from the high-pressure gun or the device when the system is fully depressurised.

1. Release the lever of the high-pressure gun.
2. Close the water tap.
3. Press the lever of the high-pressure gun for 30 seconds.
The pressure still remaining in the system is released.
4. Release the lever of the high-pressure gun.
5. Lock the lever of the high-pressure gun.
6. Disconnect the device from the water supply.
7. Switch off the device "0/OFF".
8. Pull the mains plug out of the outlet.

Transport

⚠ CAUTION

Failure to observe the weight

Risk of injury and damage

Be aware of the weight of the device during transportation.

Pulling device

1. Pull out the transport handle until it audibly engages.
2. Pull the device by the transport handle.

Transporting the device in a vehicle

1. Secure the device against slipping and tipping over.

Storage

⚠ CAUTION

Failure to observe the weight
Risk of injury and damage

Be aware of the weight of the device during storage.

Storing the device

1. Place the device on a level surface.
 2. Disconnect the high-pressure hose from the high-pressure gun.
 3. Disconnect the spray lance from the high-pressure gun.
 4. Stow both spray lances and the high-pressure gun in the appropriate storage options.
 5. Disconnect the high-pressure hose from the device.
 6. Store the high-pressure hose on the device.
 7. Stow the mains connection cable on the device.
- Observe the additional notes before storing the device for a longer period of time, see chapter *Care and service*.

Frost protection

ATTENTION

Danger of frost

Incompletely emptied devices can be destroyed by frost.

Completely empty the device and accessories.

Protect the device from frost.

The following requirements must be satisfied:

- The device is disconnected from the water supply.
 - The high-pressure hose is removed.
1. Switch the device on "I/ON".
 2. Wait for a maximum of 1 minute until no more water escapes from the high-pressure connection.
 3. Switch off the device.
 4. Store the device in a frost-protected room, together with all accessories.

Care and service

⚠ DANGER

Danger of electric shock

Injuries due to touching live parts

Switch off the device.

Remove the mains plug.

The device is maintenance-free, i.e. you do not need to perform any maintenance work.

Clean the sieve in the water connection

ATTENTION

Damaged sieve in the water connection

Damage to the device through contaminated water
Check the sieve for damage before inserting it in the water connection.

If necessary, clean the sieve in the water connection.

1. Remove the coupling from the water connection.
2. Pull out the sieve with a pair of flat pliers.
3. Clean the sieve under running water.

Illustration J

4. Insert the sieve into the water connection.
5. Screw the coupling onto the water connection.

Cleaning the detergent filter

Clean the detergent filter before prolonged storage.

1. Remove the filter from the detergent suction hose.
2. Clean the filter under running water.

Illustration K

Troubleshooting guide

Malfunctions often have simple causes that you can remedy yourself using the following overview. When in doubt, or in the case of malfunctions not mentioned here, please contact your authorised Customer Service.

⚠ DANGER

Danger of electric shock

Injuries due to touching live parts

Switch off the device.

Remove the mains plug.

Device not running

1. Press the lever of the high-pressure gun.
The device switches on.
2. Check that the voltage specified on the type plate corresponds to the voltage of the power source.
3. Check the mains connection cable for damage.

Device does not reach required pressure

The water supply is too low.

1. Open the water tap fully.
2. Check the water inlet for an adequate flow rate.
3. Check the setting at the spray lance.
4. Check that the maximum suction height is not exceeded.

The sieve in the water connection is dirty.

1. Pull the sieve in the water connection out using flat pliers.
2. Clean the sieve under running water.

Illustration J

Air is in the device.

1. Vent the device:
 - a Switch on the device without a connected spray lance for a maximum of 2 minutes.
 - b Press the high-pressure gun and wait until the water escaping from the high-pressure gun is free of air bubbles.
 - c Connect the spray lance.

Strong pressure fluctuations

1. Cleaning the high-pressure nozzle:
 - a Remove contamination from the nozzle drill with a needle.
 - b Rinse the high-pressure nozzle with water from the front.
2. Check the water supply volume.

Device leaking

1. The device leaks a small amount for technical reasons. If the leak is severe, request authorised Customer Service.

Detergent is not sucked in


1. Use the Vario Power spray lance and turn it all the way in the "SOFT" direction.
2. Clean the filter on the detergent suction hose.
3. Check the detergent suction hose for kinks.

Warranty

The warranty conditions issued by our sales company responsible apply in all countries. We shall remedy possible malfunctions on your device within the warranty period free of cost, provided that a material or manufacturing defect is the cause. In a warranty case, please contact your dealer (with the purchase receipt) or the next authorised customer service site.
(See overleaf for the address)

Technical data

Electrical connection

Voltage	V	220-240
Phase	~	1
Frequency	Hz	50-60
Power rating	kW	1,8
Degree of protection		IPX5
Protection class		II
Power protection (slow-blowing)	A	13

Water connection

Feed pressure (max.)	MPa	1,2
Input temperature (max.)	°C	40
Input amount (min.)	l/min	9
Suction height (max.)	m	0,5

Device performance data

Operating pressure	MPa	11
Max. permissible pressure	MPa	13
Water flow rate	l/min	5,2
Maximum flow rate	l/min	7,0
Detergent flow rate	l/min	0,3
High-pressure gun recoil force	N	13

Dimensions and weights

Typical operating weight	kg	5,4
Length	mm	264
Width	mm	256
Height	mm	450

Determined values in acc. with EN 60335-2-79

Hand-arm vibration value	m/s^2	<2,5
Uncertainty K	m/s^2	0,7
Sound pressure level L_{pA}	dB(A)	77
Uncertainty K_{pA}	dB(A)	3
Sound power level L_{WA} + uncertainty K_{WA}	dB(A)	92

Subject to technical modifications.

Declaration of Conformity

We hereby declare that the product described below complies with the relevant provisions of the following UK Regulations, both in its basic design and construction as well as in the version put into circulation by us. This declaration shall cease to be valid if the product is modified without our prior approval.

Product: High-pressure cleaner
Type: 1.679-xxx

Currently applicable UK Regulations

S.I. 2001/1701 (as amended)
S.I. 2008/1597 (as amended)
S.I. 2012/3032 (as amended)
S.I. 2016/1091 (as amended)

Designated standards used

EN 60335-1
EN 60335-2-79
EN 62233: 2008
EN 55014-1: 2017
EN 55014-2: 2015
EN 61000-3-2: 2014
EN 61000-3-3: 2013
EN IEC 63000: 2018

Applied conformity assessment procedure

S.I. 2001/1701 (as amended): Schedule 8

Sound power level dB(A)

Measured: 89

Guaranteed: 92

The signatories act on behalf of and with the authority of the company management.



H. Jenner

Chairman of the Board of Management



S. Reiser

Director Regulatory Affairs & Certification

Documentation supervisor:

S. Reiser

Alfred Kärcher SE & Co. KG

Alfred-Kärcher-Str. 28 - 40

71364 Winnenden (Germany)

Ph.: +49 7195 14-0

Fax: +49 7195 14-2212

Winnenden, 2021/02/01

EU Declaration of Conformity

We hereby declare that the machine described below complies with the relevant basic safety and health requirements in the EU Directives, both in its basic design and construction as well as in the version placed in circulation by us. This declaration is invalidated by any changes made to the machine that are not approved by us.

Product: High-pressure cleaner

Type: 1.679-xxx

Currently applicable EU Directives

2000/14/EC

2006/42/EC (+2009/127/EC)

2011/65/EU

2014/30/EU

Harmonised standards used

EN 60335-1

EN 60335-2-79

EN 62233: 2008

EN 55014-1: 2017

EN 55014-2: 2015

EN 61000-3-2: 2014

EN 61000-3-3: 2013

EN IEC 63000: 2018

Applied conformity evaluation method

2000/14/EG: Annex V

Sound power level dB(A)

Measured: 89

Guaranteed: 92

The signatories act on behalf of and with the authority of the company management.



H. Jenner

Chairman of the Board of Management



S. Reiser

Director Regulatory Affairs & Certification

Documentation supervisor:

S. Reiser

Alfred Kärcher SE & Co. KG

Alfred-Kärcher-Str. 28 - 40

71364 Winnenden (Germany)

Ph.: +49 7195 14-0

Fax: +49 7195 14-2212

Winnenden, 2021/02/01

البيانات الفنية

توصيل الطاقة		
220-240	V	القلبية
1	~	الطور
50-60	Hz	التردد
1,8	kW	قدرة التوصيل
IPX5		نوع الحماية
II	□	فئة الحماية
13	A	مصهر الشبكة (محمول)
وصلة المياه		
1,2	MPa	ضغط التدفق (الأقصى)
40	C°	درجة حرارة التدفق (القصوى)
9	l/min	كمية التدفق (الدنيا)
0,5	m	مستوى الشفط (الأقصى)
أداء الجهاز		
11	MPa	ضغط التشغيل
13	MPa	الضغط الأقصى المسموح به
5,2	l/min	كمية الإمداد، المياه
7,0	l/min	كمية الإمداد القصوى
0,3	l/min	كمية الإمداد، مواد التنظيف
13	N	قوة ارتجاع مسدس الضغط العالي
الأبعاد الوزن		
5,4	kg	وزن التشغيل النمطي
264	mm	الطول
256	mm	العرض
450	mm	الارتفاع
القيم المسجلة وفقاً للمواصفة EN 60335-2-79		
2,5>	m/s ²	القيمة الاهتزازية لليد والذراع
0,7	m/s ²	K قيمة الشك
77	dB(A)	مستوى انبعاث الصوت L _{PA}
3	dB(A)	قيمة الشك K _{PA}
92	dB(A)	مستوى قدرة الصوت L _{WA} + قيمة الشك K _{WA}

المواصفات الفنية خاضعة للتعديل.

المساعدة في حالة حدوث خلل

في الغالب تكون للاختلالات أسباب بسيطة يمكنك التغلب عليها ببساطة بالاستعانة بالعرض العام التالي. في حالات الشك أو عند حدوث اختلالات غير مذكورة هنا فيرجى التوجه إلى خدمة العملاء المعتمدة.

⚠️ خطر

خطر الإصابة بصدمة كهربائية

الإصابة بسبب ملامسة أجزاء موصلة للكهرباء قم بإغلاق الجهاز. اسحب قابس الشبكة.

الجهاز لا يعمل

1. ضغط رافعة مسدس الضغط العالي. الجهاز يعمل.
2. التأكد من توافق بيانات الجهد الموجودة على لوحة الطراز مع جهد مصدر التيار.
3. افحص وصلة الكهرباء من حيث وجود أضرار.

الجهاز لا يعمل بالضغط

1. الإمداد بالمياه منخفض للغاية.
 2. فتح صنبور المياه بالكامل.
 3. قم بفحص الإمداد بالمياه من حيث وجود كمية الإمداد الكافية.
 4. قم بفحص إعدادات أنبوب النفث.
 5. تأكد من عدم تخطي ارتفاع الشفط الأقصى.
- المصفاة في وصلة المياه منسخة.
1. سحب المصفاة في وصلة المياه باستخدام زردية.
 2. تنظيف المصفاة تحت المياه الجارية.

صورة إيضاحية ل

يوجد هواء في الجهاز.

1. قم بتنظيف الجهاز:
 - a تشغيل الجهاز دون أنبوب نفث موصل لمدة دقيقتين بحد أقصى.
 - b اضغط على مسدس الضغط العالي، وانتظر حتى تخرج منه المياه دون فقاعات.
 - c توصيل أنبوب النفث.

تقلبات شديدة في الضغط

1. تنظيف فوهة الضغط العالي:
 - a قم بإزالة الاتساخات من ثقب الفوهة باستخدام إبرة.
 - b شطف فوهة الضغط العالي بالمياه من الأمام.
2. فحصى كمية الإمداد بالمياه.

الجهاز يسرب

1. وجود تسرب طفيف في الجهاز هو أمر ضروري فنياً. في حالة وجود تسرب كثيف يجب التواصل مع خدمة العملاء المعتمدة.

يجب عدم شفط مواد التنظيف

1. استخدم أنبوب النفث Vario Power وأدره إلى اتجاه "SOFT" حتى سماع صوت التثبيت.
2. قم بتنظيف الفلتر في خرطوم شفط مواد التنظيف.
3. افحص خرطوم شفط مواد التنظيف بحثاً عن وجود انتشاءات.

الضمان

يسري في كل دولة شروط الضمان التي تضعها شركة التسويق المتخصصة التابعة لنا. نحن نتولى إصلاح الأخطاء التي قد تطرأ على جهازك خلال فترة الضمان بدون مقابل، عندما يكون سبب هذه الأعطال ناجم عن عيب في المواد المستخدمة أو في عملية التصنيع. في حالة استحقاق الضمان، توجه من فضلك بقسيمة الشراء إلى أقرب موزع أو مركز خدمة عملاء معتمد. (العنوان على الصفحة الخلفية)

التخزين

⚠ تنبيه

عدم مراعاة الوزن

خطر الإصابة وخطر التعرض لأضرار
احرص عند التخزين على مراعاة وزن الجهاز

حفظ الجهاز

1. وضع الجهاز على أرضية مستوية.
 2. فصل خرطوم الضغط العالي من مسدس الضغط العالي.
 3. فصل أنبوب النفث عن مسدس الضغط العالي.
 4. تخزين أنبوبي النفث ومسدس الضغط العالي في مواضع التخزين المناسبة.
 5. فصل خرطوم الضغط العالي عن الجهاز.
 6. قم بتخزين خرطوم الضغط العالي على الجهاز.
 7. قم بتخزين كابل توصيل الكهراء بالجهاز.
- قبل فترات التخزين الطويلة، يرجى مراعاة الإرشادات الإضافية، انظر فصل العناية والصيانة.

الحماية من التجمد

تنبيه

خطر التجمد

- يمكن أن تلف الأجهزة التي لم يتم تفرغها بشكل كامل تحت تأثير التجمد.
- عليك تفرغ الجهاز والملحقات بشكل كامل.
- عليك حماية الجهاز من التجمد.
- يجب القيام بما يلي:
- فصل الجهاز عن مصدر الإمداد بالمياه.
 - خرطوم الضغط العالي مفصول.
1. تشغيل الجهاز "I/ON".
 2. انتظر لمدة دقيقة على الأقل لكي لا تخرج أي مياه من وصلة الضغط العالي.
 3. إيقاف الجهاز.
 4. حفظ الجهاز بملحقاته الكاملة في غرفة مؤمنة محمية من التجمد.

العناية والصيانة

⚠ خطر

خطر الإصابة بمصدمة كهربائية

الإصابة بسبب ملامسة أجزاء موصلة للكهرباء
قم بإغلاق الجهاز.
اسحب قابس الشبكة.
الجهاز ليس به أي عيوب، هذا يعني أنه من غير الضروري أن تقوم بأي أعمال صيانة منتظمة.

تنظيف المصفاة في وصلة المياه

تنبيه

مصفاة متضررة في وصلة المياه

- تضرر الجهاز بسبب تلوث المياه
قم بفحص المصفاة قبل تركيبها في وصلة المياه من حيث وجود أضرار بها.
- عند الحاجة قم بتنظيف المصفاة في وصلة المياه.
1. نزع الوصلة الخاصة بتوصيل المياه.
 2. سحب المصفاة باستخدام زردية.
 3. تنظيف المصفاة تحت المياه الجارية.
- صورة إيضاحية لـ**
4. تركيب المصفاة في وصلة المياه.
 5. اربط القارئة في وصلة المياه.

تنظيف فلتر مواد التنظيف

- قم بتنظيف فلتر مواد التنظيف قبل تخزينه لفترة طويلة.
1. اسحب الفلتر من خرطوم شفط مواد التنظيف.
 2. تنظيف الفلتر تحت المياه الجارية.

صورة إيضاحية K

طريقة التنظيف الموصى بها

1. رش المنظف باقتصادية على السطح الجاف واتركه ليظهر أثره (لا يطف).
2. اشطف الأساخات المحررة بتيار الضغط العالي.

بعد التشغيل مع مواد التنظيف

1. اشطف الجهاز لمدة حوالي 30 ثانية بالمياه النقية.

قسط عملية التشغيل

1. تحرير ذراع مسدس الضغط العالي.
عند تحرير الذراع، يتم غلق الجهاز يتم الحفاظ على الضغط العالي في النظام.
 2. قفل ذراع مسدس الضغط العالي.
- صورة إيضاحية أ**
3. عند فترات التوقف عن العمل لمدة تزيد عن 5 دقائق اغلق الجهاز "OFF/O".

إنهاء التشغيل

⚠ تنبيه

الضغط في النظام

- الإصابة بسبب تيار المياه المتدفقة بضغط عالي بشكل غير متحكم به
- لا تفصل خرطوم الضغط العالي من مسدس الضغط العالي أو من الجهاز إلا في حالة عدم وجود ضغط في النظام.
1. تحرير ذراع مسدس الضغط العالي.
 2. أغلق صنوبر المياه.
 3. ضغط ذراع مسدس الضغط العالي لمدة 30 ثانية.
يتم تبديد الضغط المتبقي في الجهاز.
 4. تحرير ذراع مسدس الضغط العالي.
 5. قفل ذراع مسدس الضغط العالي.
 6. فصل الجهاز عن مصدر الإمداد بالمياه.
 7. أطفئ الجهاز "OFF/O".
 8. سحب قابس الشبكة من المقبس.

النقل

⚠ تنبيه

عدم مراعاة الوزن

خطر الإصابة وخطر التعرض لأضرار
احرص عند النقل على مراعاة وزن الجهاز.

سحب الجهاز

1. سحب مقبض النقل حتى يثبت بصوت مسموع.
2. سحب الجهاز من مقبض النقل.

نقل الجهاز في السيارة

1. تأمين الجهاز ضد الانزلاق، والانقلاب.

رموز على الجهاز



لا توجه شعاع الضغط العالي على الأشخاص، أو الحيوانات، أو أي معدات كهربائية فعالة أو على الجهاز نفسه.
حماية الجهاز من التجمد.
لا يسمح بتوصيل الجهاز مباشرة بشبكة مياه الشرب العامة.



التركيب

للاشكال، انظر صفحة الصور.

قبل بدء التشغيل يجب بتركيب الأجزاء المرفقة بالجهاز.

تركيب العجلات

1. ثبت العجلات في مكانها على الجهاز.
صورة إيضاحية B

تركيب التوصيلات الخاصة بوصلة المياه

1. ربط التوصيلات الخاصة بوصلات المياه في موضع وصلات المياه بالجهاز.
صورة إيضاحية C

بدء التشغيل

1. وضع الجهاز على أرضية مستوية.
2. قم بفرغ خرطوم الضغط العالي وتفكيك أي عروات أو أنواعات محتملة.
3. قم بتوصيل خرطوم الضغط العالي بالجهاز.
a اسحب المشبك الموجود على أداة التوصيل (القارنة) لأعلى.
b أدخل خرطوم الضغط العالي في أداة التوصيل (القارنة).
c اضغط المشابك الموجودة بأداة التوصيل (القارنة) لأسفل.
صورة إيضاحية D
4. قم بتوصيل خرطوم الضغط العالي بمسدس الضغط العالي.
a اضغط على المشابك.
b اسحب المشابك للخارج.
c أدخل خرطوم الضغط العالي.
d ضغط المحبس حتى سماع صوت تثبيت.
صورة إيضاحية E
5. التوصيل الآمن للسحب من خرطوم الضغط العالي.
6. إدخال قابس الشبكة في المقبس.

الإمداد بالمياه

لمعرفة قيم التوصيل انظر لوحة الصنع أو فصل البيانات الفنية.
مراعاة تعليمات مؤسسة التزويد بالمياه.

تنبيه

الأضرار بسبب المياه الملوثة

الانسباخات في المياه قد تؤدي إلى تضرر المضخة والملحقات.
لتوفير الحماية توصي KÄRCHER باستخدام فلتر المياه طراز KÄRCHER (الملحقات الخاصة، رقم الطلب 4.730-059).

التوصيل بصبور المياه

تنبيه

قارنة خرطوم مع جهاز Aquastop بوصلة مياه الجهاز

تضرر المضخة
لا تستخدم أبداً قارنة خرطوم مع جهاز Aquastop بوصلة مياه الجهاز.
يمكنك استخدام قارنة جهاز Aquastop على حنفية المياه.
1. إدخال خرطوم الحديدية في التوصيلة الخاصة بوصلة المياه.
2. توصيل خرطوم الحديدية بصبور المياه.

صورة إيضاحية F

3. فتح صبور المياه بالكامل.

شفط المياه من الخزان المفتوح

باستخدام الضغط العالي يتوانم هذا المنظف للاستخدام مع خرطوم الشفط طراز KÄRCHER مع صمام الرجوع (الملحقات الخاصة، رقم الطلب، 2.643-100) وذلك لشفط المياه السطحية، مثلاً من براميل الأمطار، أو البرك، (لمعرفة الارتفاع الأقصى للشفط انظر فصل البيانات الفنية).
عند تشغيل الشفط، لا يلزم وجود وصلة خاصة بوصلة المياه.

1. امأ خرطوم الشفط بالمياه.
2. أدر خرطوم الشفط من وصلة المياه الخاصة بالجهاز، وتعليقه بأحد مصادر المياه (مثلاً لبرميل المطر).

تصريف الهواء من الجهاز

1. تشغيل الجهاز "I/ON".
2. فتح رافعة مسدس الضغط العالي.
3. ضغط رافعة مسدس الضغط العالي.
الجهاز يعمل.
4. اترك الجهاز يعمل بحد أقصى لمدة دقيقتين حتى تخرج المياه بدون فقاعات.
5. تحرير ذراع مسدس الضغط العالي.
6. قفل ذراع مسدس الضغط العالي.

التشغيل

تنبيه

المضخة تدور دون مياه

تضرر الجهاز

إذا لم يكون الجهاز أي ضغط في غضون دقيقتين، قم إذاً بملق الجهاز واتبع التعليمات الواردة في فصل المساعدة في حالة حدوث خلل.

التشغيل بالضغط العالي

تنبيه

تضرر السطح الحساس أو المطلي

تعرض الأسطح للضرر بسبب المسافة القليلة لشعاع النفط، أو عن طريق اختيار أنبوب نفث غير مناسب.
حافظ على مسافة 30 سم على الأقل في حالة تنظيف الأسطح المطلية.

لا تقم بتنظيف إطارات السيارات، أو الطلاء، أو الأسطح الحساسة مثل الخشب باستخدام ساحق الانسباخات.

1. أدخل أنبوب النفث في مسدس الضغط العالي وثبته من خلال إدارته بزوايا 90°.
- صورة إيضاحية G
2. تشغيل الجهاز ("I/ON").
3. فتح رافعة مسدس الضغط العالي.
4. ضغط رافعة مسدس الضغط العالي.
الجهاز يعمل.

التشغيل باستخدام مواد التنظيف



عدم مراعاة صفحة بيانات السلامة

أضرار صحية جسيمة بسبب استخدام المنظفات بشكل غير صحيح.
احرص على مراعاة منشور بيانات السلامة الصادر عن الجهة الصانعة لمواد التنظيف، ولا سيما إرشادات تجهيزات الحماية الشخصية.

إرشاد

مواد تنظيف من KÄRCHER تضمن تنفيذ الأعمال دون اختلالات.
يرجى طلب المشورة أو الكتالوج الخاص بنا أو منشورات معلومات مواد التنظيف.

إرشاد

يمكن خلط مواد التنظيف فقط مع درجات الضغط المنخفضة.

1. اسحب خرطوم الشفط الخاص بمواد التنظيف بالمطول المرغوب به من المبيت.
- صورة إيضاحية H
2. قم بتعليق خرطوم شفط مواد التنظيف في الخزان المزود بمحلول مواد التنظيف.
3. استخدم أنبوب النفث "Vario Power".
4. أدر أنبوب الرش إلى الوضع "SOFT" (ناعم) حتى النهاية.
أثناء التشغيل يتم خلط محلول مواد التنظيف مع شعاع المياه.

مواصفات الجهاز

الشكال، انظر صفحة الصور

صورة إيضاحية A

- 1 عجلة النقل
- 2 موضع تخزين مسدس الضغط العالي
- 3 حفظ أنابيب النفث
- 4 موضع تخزين خرطوم الضغط العالي / كابل توصيل الكهرباء
- 5 أنبوب الرش المزود بناسف الاتساخات لإزالة الاتساخات العبيدة
- 6 أنبوب الرش Vario Power لمهام التنظيف المعتادة ضغط العمل قابل للتعديل بدون تدرج من درجة "SOFT" حتى "HARD". لتعديل ضغط العمل، ينبغي ترك ذراع مسدس الرش وإدارة أنبوب النفث إلى الوضع المرغوب. إذا تم إدارة أنبوب الرش حتى تبيته في اتجاه SOFT، يمكن معايرة كمية مادة التنظيف.
- 7 مسدس الضغط العالي
- 8 مشبك لتوصيل/فصل خرطوم الضغط العالي
- 9 ذراع مسدس الضغط العالي
- 10 قفل مسدس الضغط العالي
- 11 خرطوم الضغط العالي
- 12 وصلة الشبكة مع قابس الشبكة
- 13 أدر مفتاح الجهاز إلى الوضع "OFF" / "I/ON/O"
- 14 مقبض النقل، قابل للخلع
- 15 وصلة الضغط العالي
- 16 لوحة الطراز
- 17 وصلة المياه مع مضافة مركبة
- 18 خرطوم شفط المنظفات
- 19 توصيل وصلة المياه
- 20 * خرطوم حقيقة (مقوى بالنسيج، قطره لا يقل عن 1/2 بوصة 13 مم)، بطول 7,5 متر على الأقل، مع فارة سريعة متوفرة تجارياً)

* ضروري بشكل إضافي

تجهيزات السلامة

⚠ تنويه

تجهيزات السلامة التالفة أو المتغيرة!

تجهيزات السلامة تخدم حمايتك.

لا تعبت بتجهيزات السلامة أو تزيلها أو تجعلها غير فعالة.

مفتاح الجهاز

مفتاح الجهاز يمنع تشغيل الجهاز دون قصد.

قفل مسدس الضغط العالي

القفل يحجب الرافعة، ومسدس الضغط العالي، ويمنع بدء تشغيل الجهاز دون قصد.

وظيفة الإيقاف التلقائي

عند تحرير الرافعة مع مسدس الضغط العالي، يوقف مفتاح الضغط المضخة، ويوقف شعاع الضغط العالي. عند الضغط على الذراع، يتم تشغيل المضخة ثانية.

الشحن

⚠ تنويه

• خطر الحوادث والإصابة. عليك مراعاة وزن الجهاز عند عملية الشحن والتخزين، انظر فصل البيانات الفنية في دليل التشغيل.

تعليمات السلامة العامة

⚠ خطر • خطر الاختناق. يجب عليك إبعاد أكياس التعبئة والتغليف عن متناول الأطفال.

⚠ تحذير • استخدم الجهاز وفقاً للعرض المحدد له فقط. عليك مراعاة الظروف المحيطة والانتباه عند استخدام الجهاز إلى الأشخاص الآخرين وخاصة الأطفال منهم. • يسمح للأشخاص الذين لديهم قدرات بدنية أو حسية أو عقلية محدودة أو الذين لا تتوافر لديهم الخبرة والمعرفة الكافية، أن يستخدموا الجهاز بشرط الإشراف عليهم بشكل صحيح، أو إذا تم بعد حصولهم على تعليمات بشأن كيفية الاستخدام الآمن للجهاز من قبل شخص مسؤول عن سلامتهم ومعرفتهم بالمخاطر المرتبطة به. • لا يسمح للأطفال بتشغيل الجهاز. • يجب مراقبة الأطفال للتأكد من عدم لعبهم بالجهاز.

⚠ تنويه • تجهيزات السلامة تخدم حمايتك. لا تقم بتغيير أو تجاوز تجهيزات السلامة أبداً.

حماية البيئة

المواد المستخدمة في التغليف قابلة لإعادة التدوير. يرجى التخلص من مواد التغليف بطريقة تحافظ على البيئة. تحتوي الأجهزة الكهربائية والإلكترونية على مواد قيمة قابلة لإعادة التدوير وغالباً ما تحتوي أيضاً على مكونات مثل البطاريات، أو المراكمات أو الزيوت والتي قد تشكل خطورة على صحة الإنسان والبيئة في حالة التعامل معها بشكل غير صحيح أو إذا تم التخلص منها بصورة خاطئة. إلا أن هذه المكونات ضرورية لتشغيل الجهاز بصورة سليمة. لا يجوز التخلص من الأجهزة المميزة بهذا الرمز مع النفايات المنزلية.

أعمال التنظيف التي يتكون فيها مياه عادمة تحتوي على زيوت، مثل غسل المحركات، وغسل الهيكل السفلي، لا يسمح بإجرائها إلا في أماكن الغسل المزودة بفاصل للزيت. لا يسمح بالعمل باستخدام مواد التنظيف إلا في أماكن العمل غير المنفذة للسوائل مع وجود وصلة بقناة المياه المتسخة. لا يسمح بوصول مواد التنظيف إلى المياه أو إلى التربة السطحية. استخدم المياه من مجاري المياه العامة غير مسموح به في بعض البلدان.

إرشادات حول مواد المحتويات (REACH)

تجد المعلومات الحالية حول المحتويات على الموقع:

www.kaercher.de/REACH

الاستخدام المطابق للتعليمات

استخدم منظفات الضغط العالي للاستعمال المنزلي فقط. منظفات الضغط العالي مخصصة لتنظيف الماكينات والسيارات والمباني والعدد والواجهات والشرفات ومعدات الحدائق وغيرها وذلك باستخدام الضغط العالي لشعاع المياه.

الملحقات التكميلية وقطع الغيار

استخدام الملحقات التكميلية الأصلية وقطع الغيار الأصلية فقط، والتي تضمن تشغيل الجهاز بشكل آمن وخالي من الاختلالات. تجد المعلومات الخاصة بالملحقات التكميلية وقطع الغيار على الموقع www.kaercher.com.

محتوى التسليم

محتوى تسليم الجهاز مصور على العبوة. تأكد من وجود جميع محتويات العبوة عند فتحها. وفي حالة نقص أية ملحقات تكميلية أو اكتشاف أي تلف بها ناتج عن عملية النقل، يرجى إخطار البائع.

إرشادات السلامة



- اقرأ فصل السلامة هذا ودليل التشغيل الأصلي لهذا أيضا قبل استخدام الجهاز لأول مرة. ثم تصرف طبقاً لذلك. حافظ على دليل التشغيل الأصلي للاستخدام لاحقاً أو تسليمه للمالك التالي.
- عليك إلى جانب الإرشادات الواردة في دليل التشغيل مراعاة القواعد العامة للسلامة والوقاية من الحوادث والتي يحددها المشرع القانوني.
- تشير علامات الإرشاد والتحذير الموجودة على الجهاز إلى الإرشادات الهامة للتشغيل الآمن.

درجات الخطر

⚠️ خطر

- إشارة إلى خطر مباشر وشيك الحوادث وقد يؤدي إلى إصابات جسدية بالغة أو إلى الوفاة.

⚠️ تحذير

- إشارة إلى موقف قد تحفه المخاطر وقد يؤدي إلى إصابات جسدية بالغة أو إلى الوفاة.

⚠️ تنويه

- إشارة إلى موقف قد تحفه المخاطر وقد يؤدي إلى إصابات بسيطة.

⚠️ تنبيه

- إشارة إلى موقف قد تحفه المخاطر وقد يؤدي إلى حدوث أضرار مادية.

التشغيل

⚠️ خطر

- لا تقم بشفط مواد مذيبة أو سوائل تحتوي على مواد مذيبة أو مواد حمضية غير مخففة أبداً. وهذه تشمل على سبيل المثال البنزين، مواد إضافية للوان أو وقود التدفئة. الرذاذ قابل للاشتعال والانفجار وسام. • إطارات السيارات التالفة /صمامات الاطارات تشكل مصدر خطر على الحياة. • إطارات السيارات /صمامات الاطارات يمكن أن تتضرر أو تتفجر عن طريق استخدام شعاع الضغط العالي. أول علامة على ذلك هو تغيير لون الاطار. عليك المحافظة على مسافة 30 سم على الأقل من الشعاع عند تنظيف السيارة عن اطارات السيارة / صمامات الاطارات.

⚠️ تحذير

- لا تستخدم الجهاز بالقرب من تواجد أشخاص آخرين لا يرتدون ملابس واقية مناسبة. • لا توجه شعاع الضغط العالي على نفسك مثلاً على ملابسك أو حذائك لتنظيف. • لا توجه شعاع الضغط العالي على الأشخاص، الحيوانات، معدات كهربائية فعالة أو على الجهاز نفسه. • لا تقوم برش أي أشياء تحتوي على مواد ضارة بالصحة (الأسبست مثلاً). • تأكد قبل كل استخدام من أن الجهاز وملحقاته في حالة سليمة وآمنة للتشغيل مثلاً خرطوم الضغط العالي، سدس الضغط العالي وتجهيزات السلامة أيضاً. لا تستخدم الجهاز عند وجود تلف فيه. قم بتغيير الأجزاء التالفة فوراً. • استخدم خرطوم الضغط العالي والتجهيزات والفران التي تتضح بها الجهة الصانعة. • خطر الاحتراق. عند فصل مدخل الخرطوم أو خرطوم الضغط العالي يمكن أن يخرج ماء ساخن من الوصلات بعد التشغيل.

⚠️ تنويه

- لا تستخدم الجهاز أبداً بدون قاطع النظام بشبكة مياه الشرب وفقاً للوائح السارية. تأكد من أن وصلة الشبكة المائية بمنزلك التي تم توصيلها بجهاز التنظيف بالضغط العالي مزودة بفواصل للنظام وفقاً لمعيار EN 12729 Typ BA. الماء التي تمر عن طريق فواصل النظام لا تصلح بعد ذلك للشرب. • لا تترك الجهاز دون مراقبة أبداً طالما يكون مشغلاً. • يتم عن طريق المياه الخارجة من فوكة الضغط العالي توليد قوة ارتدادية بسدس الضغط العالي. قم بتأمين مكان وفوكة بشكل آمن وامسك سدس الضغط العالي وثوب الشعاع بشكل ثابت. • حوادث وأضرار ناجمة عن سقوط الجهاز. يجب عليك ضمان السلامة قبل إجراء أي عمل على الجهاز أو قبل استخدام الجهاز.

⚠️ تنبيه

- لا تستخدم الجهاز عندما تكون درجات الحرارة تحت 0° مئوية.

معدات الحماية الشخصية

- ⚠️ **تنويه** • ارتدي ملابس واقية مناسبة وبنطالة واقية لحماية نفسك من رذاذ الماء والأوساخ المتطايرة. • يمكن أن ينشأ هباء جوي/البروسول أثناء استعمال جهاز التنظيف بالضغط العالي. يمكن أن يؤدي استنشاق الهباء الجوي إلى حدوث أضرار صحية. اعتماداً على نوع الاستخدام، يمكن أن يساعد استعمال فوكة واقية بشكل الكمال (منظف سطحي مثلاً) في تقليل انبعاث الهباء الجوي بشكل كبير. ارتدي تبعا للمكان المراد تنظيفه، قناع واقٍ للتنفس من فئة FFP 2 أو ما يعادلها لحماية نفسك من استنشاق الهباء الجوي عندما يكون استخدام فوكة محمية بالكامل غير ممكناً.

خطر الصعق الكهربائي

- ⚠️ **خطر** • قم بتوصيل أجهزة فئة الحماية I بمصادر التيار الكهربائي المارضة بشكل سليم فقط. • قم بتوصيل الجهاز بتيار متردد فقط. يجب أن يتوافق الجهد الموجود على لوحة الطراز مع جهد مصدر التيار. • استخدم الجهاز عن طريق قاطع الدائرة الكهربائية فقط (30 مللي أمبير حد أقصى). • لا تلمس القابض الكهربائي والمقبس بأيدي مبللة بالماء نهائياً. • يجب أن يكون القابض الكهربائي وفارطة كابل التمديد الكهربائي مقاومة ضد الماء ولا يسمح بوضعهما في الماء. لا يسمح بوضع الفارطة على الأرض. استخدم بكرات الكابيل الكهربائي التي تتضمن تواجده القوابض الكهربائية بغير 60 مم فوق الأرض على الأقل. • يجب أن تكون جميع الأجزاء الموصلة للتيار الكهربائي في مكان العمل محمية من أشعة الماء.

- ⚠️ **تحذير** • قم بتوصيل الجهاز بوصلة كهربائية يكون تم شرائها من متجر متخصص يبيع الأجهزة الكهربائية وفقاً للمعيار IEC 60364-1. • تأكد قبل كل استخدام الجهاز من عدم وجود تلف في كابل التيار الكهربائي والقابض. عند تعرض كابل التيار الكهربائي للتلف، يجب استبداله على الفور عن طريق الشركة المصنعة، أو مركز خدمة العملاء المعتمد، أو كهربائي متخصص، وذلك لتجنب أي مخاطر. • لا تقم بالحاق أضرار أو إتلاف كابل التوصيل الكهربائي وكابيل التمديد الكهربائي عن طريق الدهس، سحق، الشد أو فعل شيء به من هذا القبيل. قم بحماية كابل التوصيل الكهربائي من الحرارة، الزيت والحوادث. • كابلات التمديد الكهربائي غير المناسبة يمكن أن تكون مصدر للخطر. استخدم في الهواء الطلق لذلك كابلات التمديد الكهربائي المرخصة والمميزة ومزودة بمقطع عرضي للكابل كافي: 1-10 م: 1,5 مم²، 10-30 م: 2,5 مم²

- ⚠️ **تنويه** • فك كابل التمديد الكهربائي دائماً بشكل كامل من بكره الكابل الكهربائي. • يجب عند التوقف عن العمل لفترة استراحة طويلة وبعد الاستخدام إيقاف الجهاز عن طريق المفتاح الرئيسي / مفتاح الجهاز وكذلك فصل القابض الكهربائي أيضاً.

التشغيل باستخدام مادة تنظيف

- ⚠️ **تحذير** • يمكن أن يؤدي استعمال مواد التنظيف غير الصحيحة إلى حدوث إصابات خطيرة أو إلى حدوث التسمم.
- ⚠️ **تنويه** • خزن مواد التنظيف بعيداً عن متناول الأطفال.
- استخدم مواد التنظيف الموردة مع الجهاز والتي تتضح بها الجهة الصانعة فقط. استخدم مواد التنظيف الأخرى أو المواد الكيميائية يمكن أن تضر بسلامة الجهاز.

العناية والصيانة

- ⚠️ **تحذير** • أفضل القابض الكهربائي قبل إجراء أي أعمال للصيانة والعناية.
- ⚠️ **تنويه** • عليك إجراء أعمال الإصلاح أو الأعمال الأخرى على القطع المستخدمة من قبل مركز خدمة معتمدة فقط.
- لا تستخدم مواد التنظيف الموردة مع الجهاز أو التي تتضح بها الجهة الصانعة لأن هذه المواد سنشر بالمواد المستخدمة في الجهاز.



THANK YOU!
MERCI! DANKE! ¡GRACIAS!



Registrieren Sie Ihr Produkt und profitieren Sie von vielen Vorteilen.

Register your product and benefit from many advantages.

Enregistrez votre produit et bénéficiez de nombreux avantages.

Registre su producto y aproveche de muchas ventajas.

www.kaercher.com/welcome



Bewerten Sie Ihr Produkt und sagen Sie uns Ihre Meinung.

Rate your product and tell us your opinion.

Évaluer votre produit et dites-nous votre opinion.

Reseñe su producto y díganos su opinión.



www.kaercher.com/dealersearch

Alfred Kärcher SE & Co. KG

Alfred-Kärcher-Str. 28-40

71364 Winnenden (Germany)

