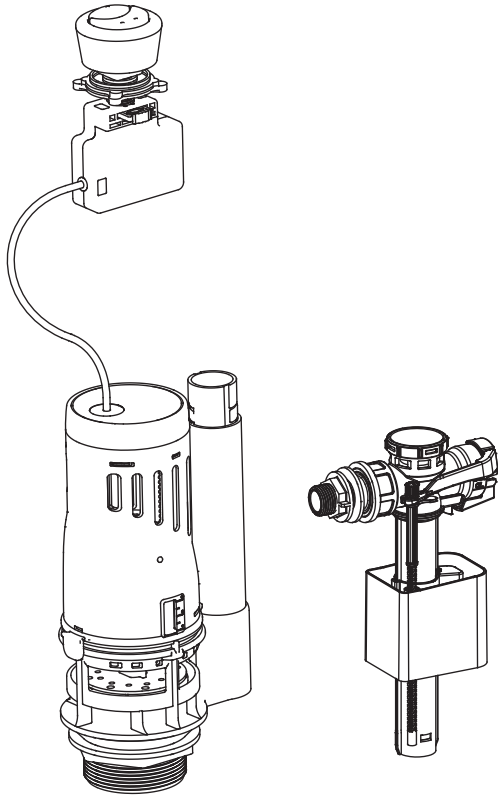


EN Side Entry Flushing Kit



EN IMPORTANT - These instructions are for your safety. Please read through them thoroughly prior to handling the product and retain them for future reference.

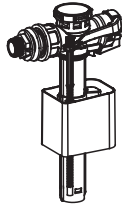
V10623_5059340756653_MAND1_2223

5059340756653
5059340756806

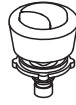
EN Parts



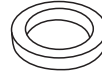
01. x1



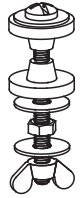
02. x1



03. x1

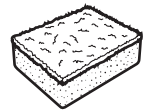
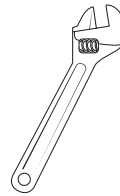
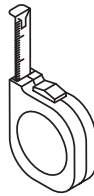
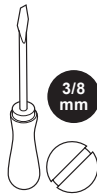
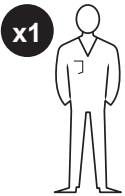


04. x1



05. x2

EN You will need



EN Contents

EN	
Safety	3
Guarantee	5
Assembly	6
Care & maintenance	10



Before you start

- Ensure that this product is suitable for the installation you have and that all component listed are provided before starting the installation.
- Don't rush. Read the instructions first and familiarise yourself with the sequence before you begin, as some aspects of this installation may differ from other products on the market.
- Ensure water supply to the cistern is isolated before beginning works and drain as much water from your cistern to avoid water damage to your property.
- Failure to follow these instructions may result in personal injury, damage to your property, damage to the product and lose of guarantee.

Safety

- Make sure that water supply to your cistern has been isolated correctly and that the system is drained as much as possible to avoid any water damage to your property
- Do not use sealing compounds when installing this product as damage over time may occur to the plastic components causing leaks.
- Do not over-tighten components as damage over time may occur.
- Do not add any Chemicals (e.g. Disinfectant Tablets/Bleaches etc) into the cistern water.
- The product, its components and packaging are not toys and should be kept out of the reach of children.
- If you are a DIYer and have limited experience with plumbed water systems, it is always good to contact a professional for guidance.

Removal of existing valves

If this is a new installation and you have no existing valves in your cistern, move straight onto step 1 of the installation.

If you have a fill and flush valve already installed, please follow the below guide to help with the removal. Please note that these steps are for common installations. If you have difficulty following or the steps do not cover your specific installation, you may wish to contact a plumber for further guidance.

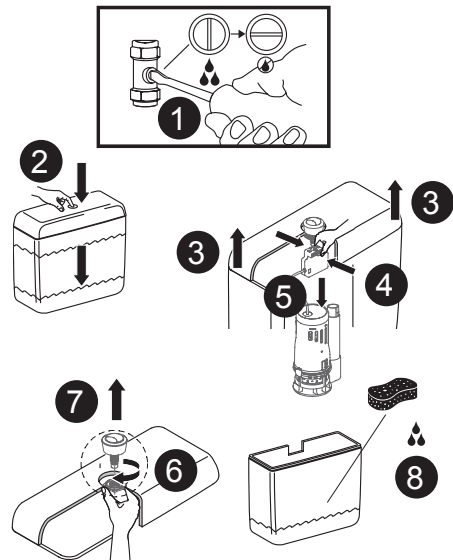
- Begin by isolating the water supply to the cistern.
- Drain the water from the cistern by flushing the flush valve

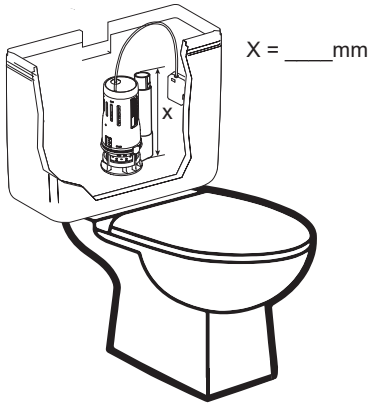
- Remove the lid of the cistern along with any buttons that may be connected to this.
- Remove all excess water from the cistern with a sponge.
- To make the flush valve easier to set up, measure the height of the current overflow pipe before removing it from your cistern. See image A for reference. Use this value Xmm in Installation Step 3.
- Next Remove the water supply connection from the fill valve shank.

NOTE: Have a bucket to hand to catch any water that may come from the cistern during the above steps.

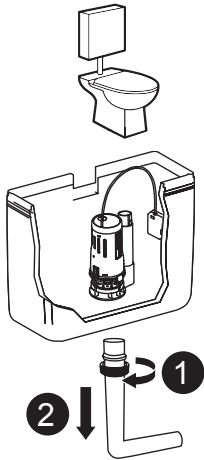
Depending on your type of installation, you may have a cistern connected directly to your toilet pan or to the pan via a flush pipe. Follow the steps B1 or B2 depending on your installation.

- With the cisterns now drained and disconnected from the pan, you can start to remove the old fill and flush valve.
- Remove and correctly dispose of the old fill and flush valve. See image C for reference.
- Clean all debris from the inside of the cistern including any existing seals/washers.
- We also supply new cistern screws and doughnut seal with the kit. Check these are suitable for your installation before disposing of the existing ones. Image D for reference.

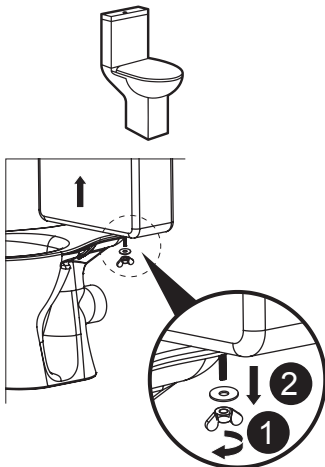
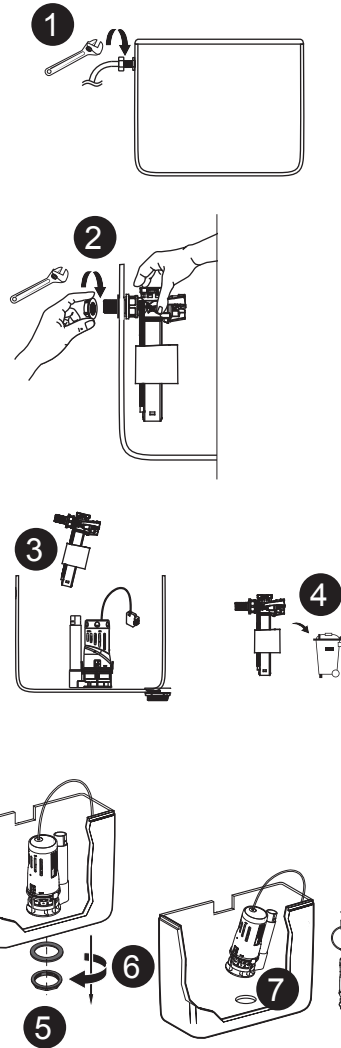


A

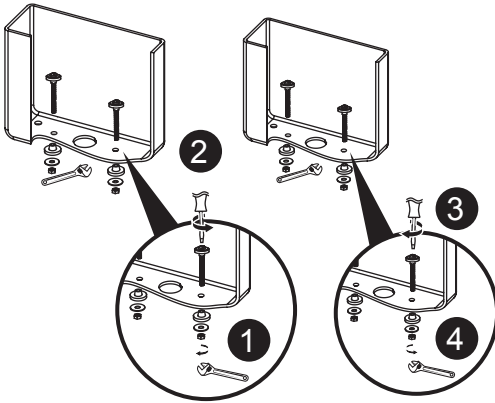
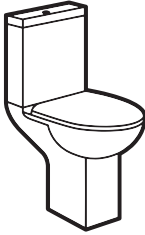
Once all connections are removed, the cistern can be lifted from the pan and placed carefully on a suitable surface.

B1

Once all connections are removed, the cistern wall mounting can be removed. Take care as the cistern may be heavy. Once demounted, place it carefully on a suitable surface.

B2**C**

D



This guarantee covers product failures and malfunctions provided the product was used for the purpose for which it is intended and subject to installation, cleaning, care and maintenance in accordance with the information contained in these terms and conditions, in the user manual and standard practice, provided that standard practice does not conflict with the user manual.

This guarantee does not cover defects and damage caused by normal wear and tear or damage that could be the result of improper use, faulty installation or assembly, neglect, accident, misuse, or modification of the product. Unless stated otherwise by applicable law, this guarantee will not cover, in any case, ancillary costs (shipping, movement, costs of uninstalling and reinstalling, labour etc), or direct and indirect damage.

The guarantee excludes diaphragms, flush washer, flush button and seals.

If the product is defective, we will, within a reasonable time, replace or refund.

Rights under this guarantee are enforceable in the country in which you purchased this product. Guarantee related queries should be addressed to the store you purchased this product from.

The guarantee is in addition to and does not affect your statutory rights.

Guarantee

We take special care to select high quality materials and use manufacturing techniques that allow us to create products incorporating design and durability. This product has a manufacturer's guarantee of 10 years against manufacturing defects, from the date of purchase (if bought in store) or date of delivery (if bought online), at no additional cost for normal (non-professional or commercial) household use.

To make a claim under this guarantee, you must present your proof of purchase (such as a sales receipt, purchase invoice or other evidence admissible under applicable law), please keep your proof of purchase in a safe place. For this guarantee to apply, the product you purchased must be new, it will not apply to second hand or display products. Unless stated otherwise by applicable law, any replacement product issued under this guarantee will only be guaranteed until expiry of the original period guarantee period.

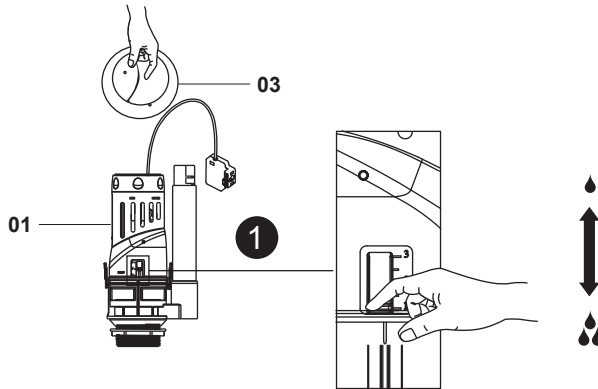
**IMPORTANT - RETAIN
THIS INFORMATION
FOR FUTURE
REFERENCE:
READ CAREFULLY**

EN Assembly

01

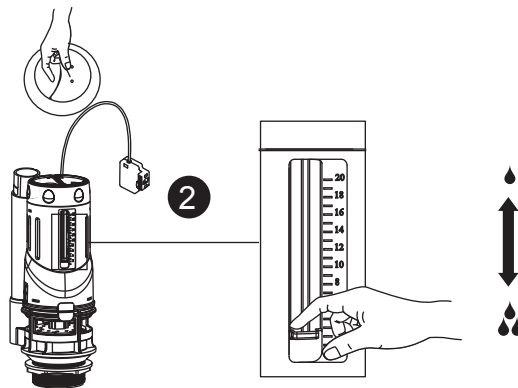


Before installing the flush valve, we recommend that the installer adjusts the full and half flush settings to where they are felt to be most economical. These can be adjusted after installation so don't worry if they are not to your liking post installation.



Full Flush: The larger button section is used to provide a larger flush volume. This can be adjusted as shown above. Lifting the slider up will reduce the water volume and moving the slider down will increase the volume.

NOTE: This slider is quite stiff to avoid accidental adjustment whilst installing. Take care if tools are used to move the slider.



Half Flush: The smaller button is used to provide a half flush volume. This can be adjusted as shown above. Lifting the slider up will reduce the water volume and moving the slider down will increase the volume.

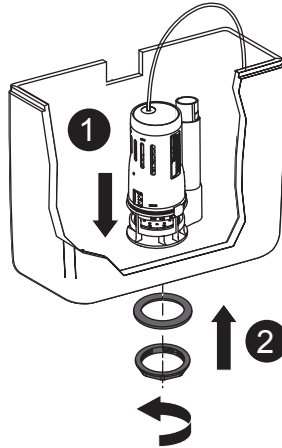
NOTE: This slider is quite stiff to avoid accidental adjustment whilst installing. Take care if tools are used to move the slider.

02



04. x1

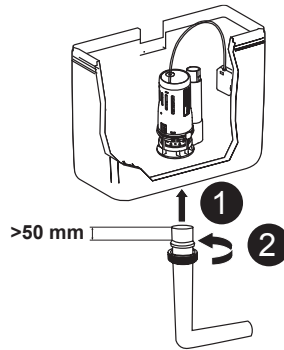
A



Fit the new flush valve into the cistern hole and make sure it is not in contact with the cistern wall or any other components already installed in your cistern.

Fit the water seal to the underside of the cistern and secure the valve and seal in place with the backing nut. Tighten by hand force only. Do not overtighten as this could cause damage to the cistern material.

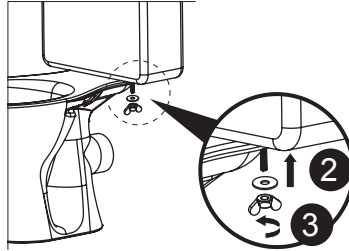
B1



Fit your cistern back to the wall and secure in position. Remember to insert the flush pipe a minimum of 50 mm to ensure a seal is made.

Tighten any connections by hand to ensure no damage is caused to the product.

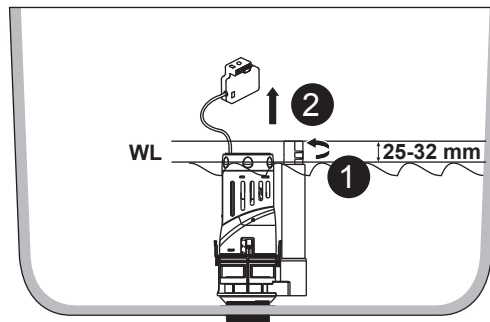
B2



Fit your cistern back to the toilet pan. Remember to install the doughnut seal [04] between the cistern and the pan.

Secure the cistern screws with hand force. Do not over tighten.

03



With the flush valve fitted, now adjust the overflow height as per the measurement X if taken from the existing flush valve. Otherwise follow instruction below.

The top of the overflow should be between 25 and 32 mm above the water level (Normally marked within the cistern) and a minimum of 20 mm below the fill valve critical level (CL marking on the valve). First rotate the overflow tube to unlock and lift or lower to the desired height. Rotate back to lock in place.

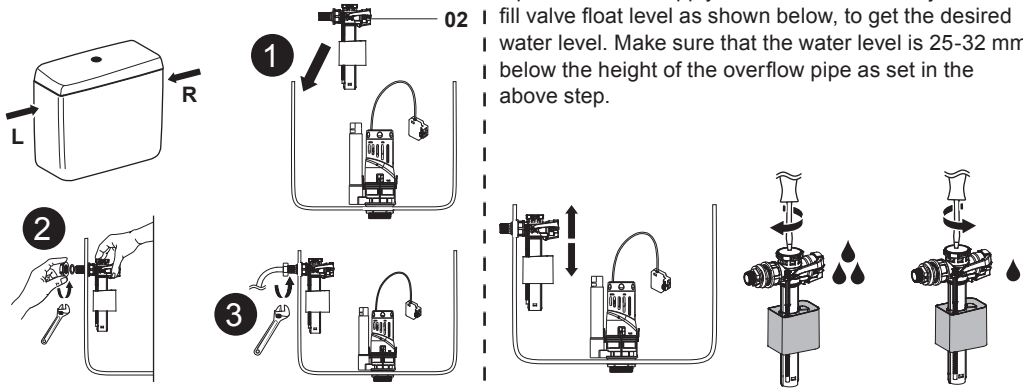
04



02. x1

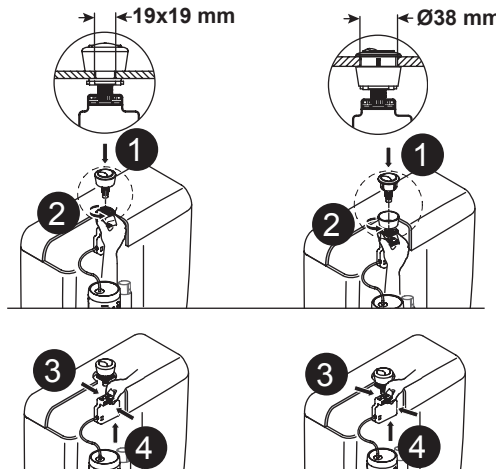
Follow the steps below on how to correctly install the new fill valve.

With the fill valve installed and connected to the mains. Open the water supply and fill the cistern. Adjust the fill valve float level as shown below, to get the desired water level. Make sure that the water level is 25-32 mm below the height of the overflow pipe as set in the above step.



05

With the valves fitted, the installer can now fit the new button to the lid. Use the collar as shown below depending on the hole size you have in your cistern lid. Once fitted, place the lid back on the cistern.



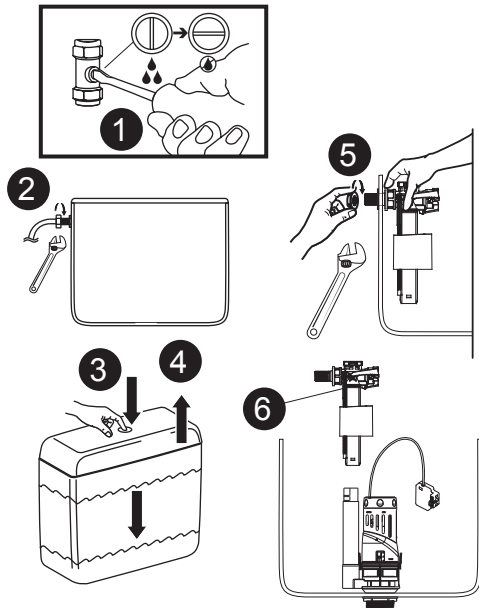
EN Care & maintenance

To correctly maintain the fill valve, we recommend cleaning the diaphragm every 6 months or sooner if you live in a hard water area.

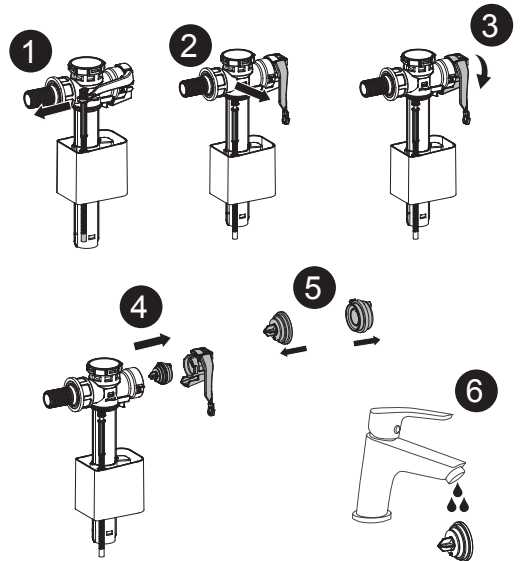
Follow the detailed instruction below on how to access the diaphragm for the fill valve.

Follow instructions in reverse to reinstate the valve.

1A



1B

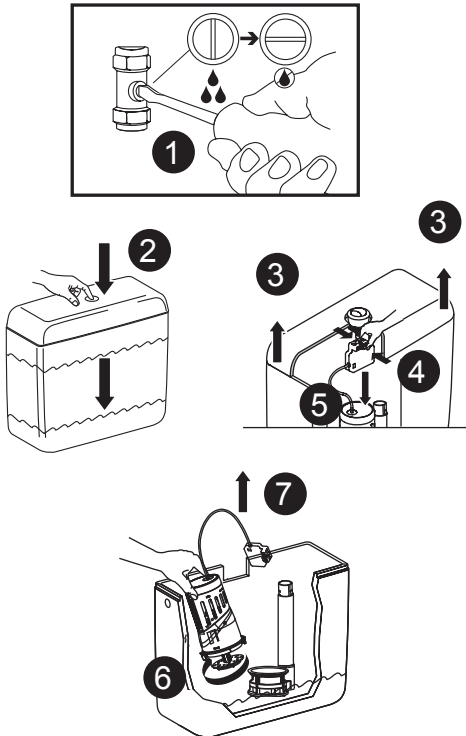


To correctly maintain the flush valve, we recommend cleaning the seal every 6 months or sooner if you live in a hard water area.

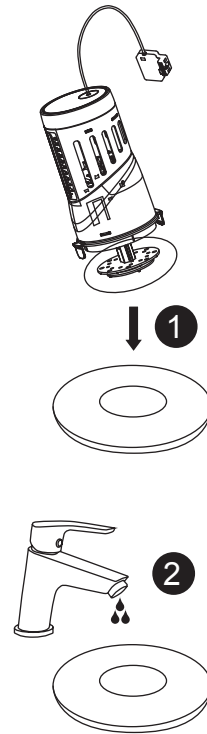
Follow the detailed instruction below on how to access the flush valve seal for cleaning.

Follow instructions in reverse to reinstate the valve.

2A



2B



EN Troubleshooting

If after the installation there is water continuously flowing into the bowl, first check that the fill valve is not overfilling the cistern. This could have been accidentally adjusted during the installation. This will be clear, as the water will be flowing into the overflow of the flush valve. Lift the lid and check if this is the case. If so, reduce the height of your fill valve float to bring the water level to 25mm below the overflow height.

If water is not flowing down the overflow, it could be that the flush valve seal is not closing correctly. Check that the button is correctly fixed to the cable connection and check there is nothing in contact with the flush valve that could be stopping it from closing correctly. The installer could also remove the valve using the quick release method as shown in the care and maintenance section to ensure the seal is fitted correctly and that there are no signs of manufacturer damage.

If leakage into the bowl is still occurring the valve may be faulty and will need to be replaced.

Manufacturer:

UK Manufacturer:

Kingfisher International Products Limited,
1 Paddington Square, London, W2 1GG,
United Kingdom

EU Manufacturer:

Kingfisher International Products B.V.,
Rapenburgerstraat 175E,
1011 VM Amsterdam,
The Netherlands

EN www.diy.com
www.screwfix.com
www.screwfix.ie

**To view instruction manuals online,
visit www.kingfisher.com/products**