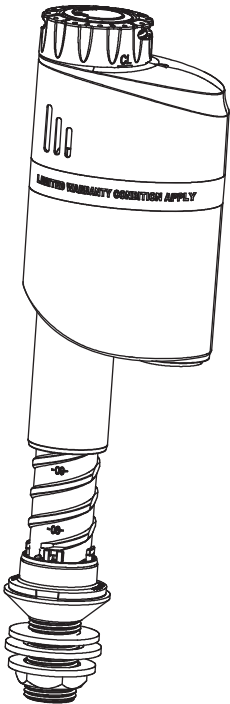


EN Bottom Entry Fill Valve - Delayed Fill (water saving) Brass Shank



EN IMPORTANT - These instructions are for your safety. Please read through them thoroughly prior to handling the product and retain them for future reference.

V10523_5059340757056_MAND1_2223

5059340757056
5059340757049

EN Parts



01. x1



02. x1



03. x1



04. x1



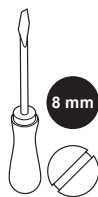
05. x1



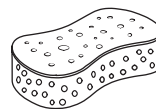
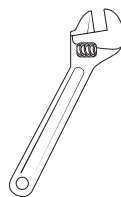
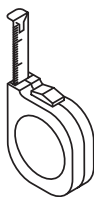
06. x1

EN You will need

x1



8 mm



EN Contents

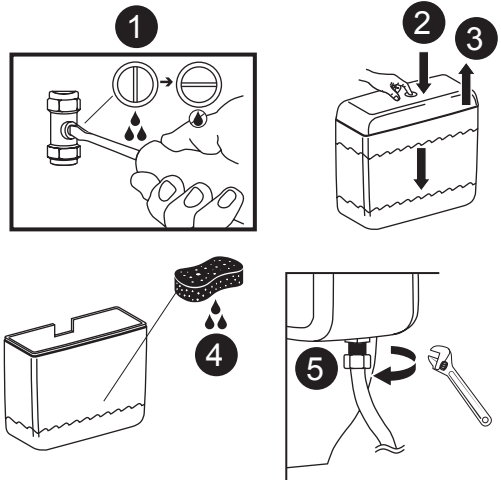
EN	
Safety	3
Guarantee	4
Assembly	5
Care & maintenance	7



EN Safety

Before you start

- Don't rush, read the instructions first and familiarise yourself with the sequence before you begin.
- Make sure you have all of the parts listed.
- Failure to follow these instructions may result in personal injury, damage to your property, damage to the product and loss of guarantee.
- When replacing any fill or flush device, first mark or take a note of the water level in the cistern before draining. Most cisterns will also have a recommended water level marked on the inside surface.
- The "water level" reference is used when installing your valves to ensure they function correctly.

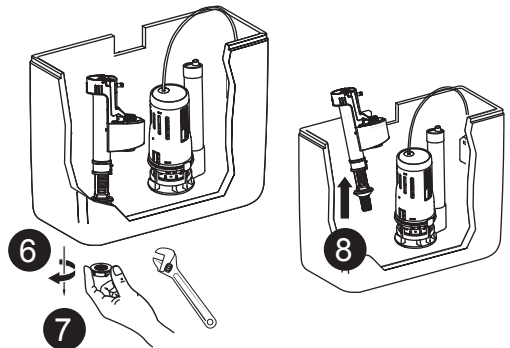


Removal of existing valve

Please note the below information is only a guide and your own installation may differ slightly.

If this is a new installation and you have no existing valve in your cistern, move straight onto step 1.

- If you have a fill valve already installed, begin by isolating the water supply to the fill valve [1].
- It is a good idea to measure the water depth or mark the cistern at the water level. This will help set the water level back to the same point after the valve has been installed.
- Drain the water from the cistern by flushing the toilet and removing all excess water with a sponge [2]/[3]/[4].
- Remove the water supply connection from the fill valve shank [5].
- Most fill valves will be secured to the cistern with a locking nut that can be removed by hand or with a spanner. The nut should be situated on the inlet shank of the fill valve, on the outside of the cistern [6]/[7].
- Remove and correctly dispose of the old fill valve [8].
- Clean all debris from the inside of the cistern including any existing seals/washers.
- We also recommend flushing the water supply pipework for 10 seconds before installing the new valve. Be sure to position a bucket under the water supply line before opening the isolation valve.



Safety

- Do not use sealing compounds as damage over time may occur to the plastic components causing leaks.
- Do not over-tighten components as damage over time may occur.
- Do not add any Chemicals (e.g. Disinfectant Tablets/Bleaches etc) into the cistern water.
- Suitable for water temperature range: 2°C to 45°C
- The product, its components and packaging are not toys and should be kept out of the reach of children.

Guarantee

We take special care to select high quality materials and use manufacturing techniques that allow us to create products incorporating design and durability. This product has a manufacturer's guarantee of 10 years against manufacturing defects, from the date of purchase (if bought in store) or date of delivery (if bought online), at no additional cost for normal (non-professional or commercial) household use.

To make a claim under this guarantee, you must present your proof of purchase (such as a sales receipt, purchase invoice or other evidence admissible under applicable law), please keep your proof of purchase in a safe place. For this guarantee to apply, the product you purchased must be new, it will not apply to second hand or display products. Unless stated otherwise by applicable law, any replacement product issued under this guarantee will only be guaranteed until expiry of the original period guarantee period.

This guarantee covers product failures and malfunctions provided the product was used for the purpose for which it is intended and subject to installation, cleaning, care and maintenance in accordance with the information contained in these terms and conditions, in the user manual and standard practice, provided that standard practice does not conflict with the user manual.

This guarantee does not cover defects and damage caused by normal wear and tear or damage that could be the result of improper use, faulty installation or assembly, neglect, accident, misuse, or modification of the product. Unless stated otherwise by applicable law, this guarantee will not cover, in any case, ancillary costs (shipping, movement, costs of uninstalling and reinstalling, labour etc), or direct and indirect damage.

The guarantee excludes diaphragms and seals.

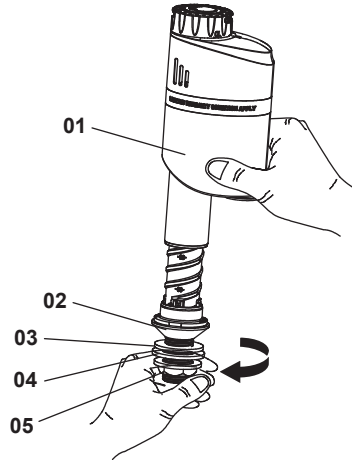
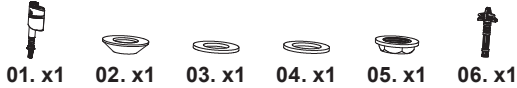
If the product is defective, we will, within a reasonable time, replace or refund.

Rights under this guarantee are enforceable in the country in which you purchased this product. Guarantee related queries should be addressed to the store you purchased this product from.

The guarantee is in addition to and does not affect your statutory rights.

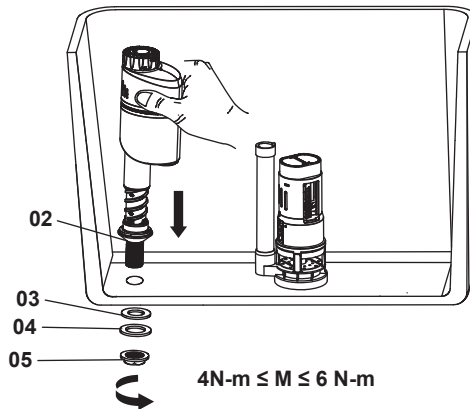
**IMPORTANT - RETAIN
THIS INFORMATION
FOR FUTURE
REFERENCE:
READ CAREFULLY**

01



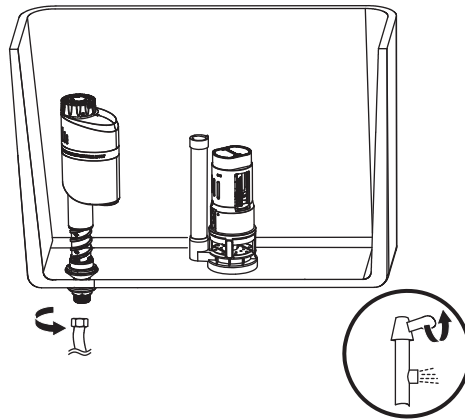
Remove the backing nut (05) to allow the installer to remove both washer (04) and seal (03). Do not remove washer (02), as this will need to be installed within the cistern.

02



Fit the valve to the inside of your cistern and refit seal 03 and washer 04 before securing nut 05 to the shank. Tighten using spanner but do not over tighten. Min and max force provided.

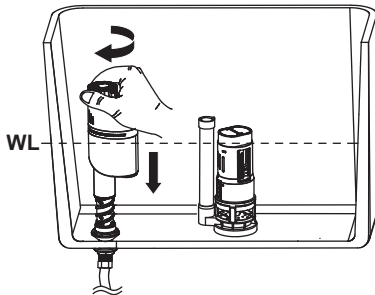
03



Fit the water supply pipe to the fill valve shank and secure with a spanner. Do not overtighten as damage may occur over time.

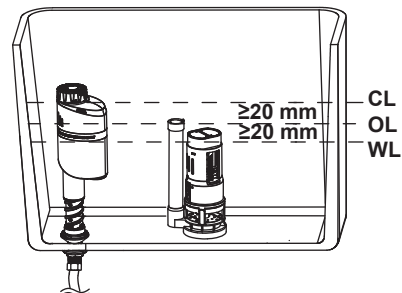
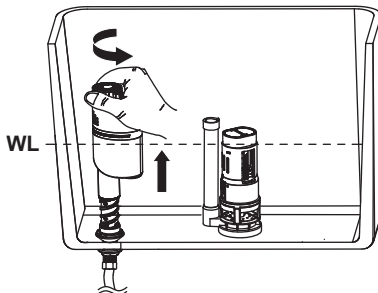
Once connected, turn the water supply valve back on and check for leaks.

04



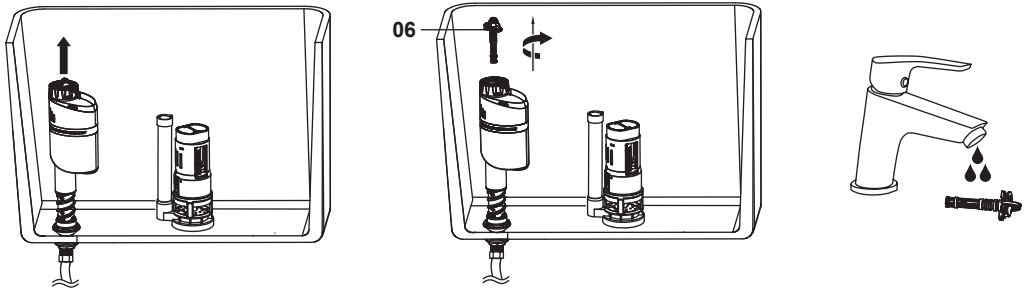
Using the diagram below, make sure that the water level within your cistern is at the position WL. This is 20 mm below the overflow level OL and 40 mm below the valves critical level CL.

To raise or lower the water level, follow the instructions to the left. This can be done easily in situ thanks to the unique design of or fill valve.



EN Care & maintenance

To keep your fill valve functioning correctly, it is recommended to clean the filter every 6 months.



Valve removal

- Begin by isolating the water supply to the fill valve.
- The filter can be accessed at the top of the fill valve, so there is no need to drain your cistern.
- Lift the clip at the top on the fill valve to allow removal.
- Rotate the clip anti-clockwise and then lift. This might be quite stiff. Take great care if tools are needed to remove this as the plastic could break.
- Rinse the filter under tap water to remove any debris.
- Follow the instructions in reverse to reassemble the valve back to working conditions.

Manufacturer:

UK Manufacturer:

Kingfisher International Products Limited,
1 Paddington Square, London, W2 1GG,
United Kingdom

EU Manufacturer:

Kingfisher International Products B.V.,
Rapenburgerstraat 175E,
1011 VM Amsterdam,
The Netherlands

EN www.diy.com
www.screwfix.com
www.screwfix.ie

**To view instruction manuals online,
visit www.kingfisher.com/products**