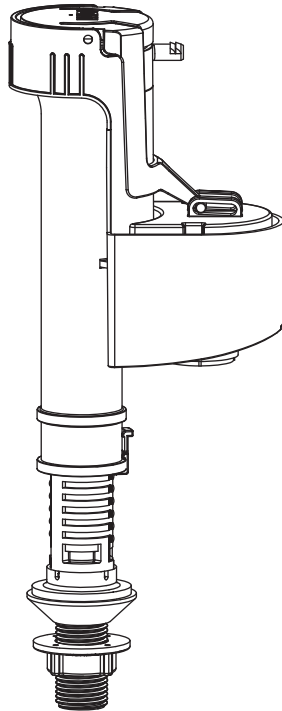


# EN Bottom Entry Fill Valve with Brass Shank

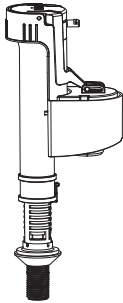


**EN IMPORTANT** - These instructions are for your safety. Please read through them thoroughly prior to handling the product and retain them for future reference.

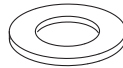
**V10623\_5059340756363\_MAND1\_2223**

**5059340756363**  
**5059340756370**

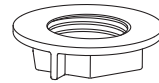
## EN Parts



01. x1

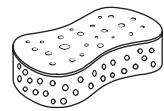
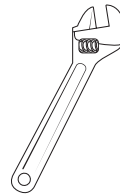
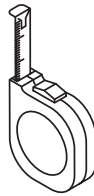
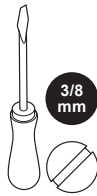


02. x1



03. x1

## EN You will need



## EN Contents

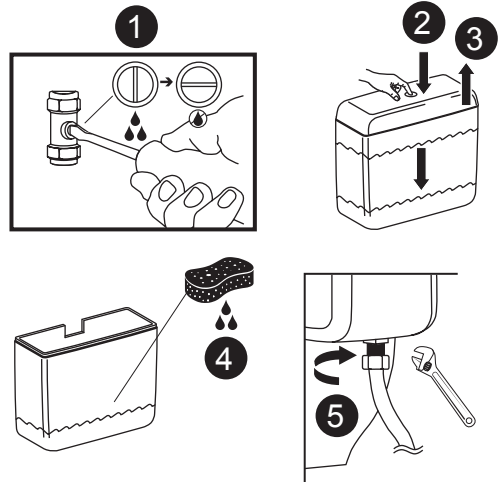
EN	
Safety	3
Guarantee	4
Preparation	5
Assembly	6
Care & maintenance	8



## EN Safety

### Before you start

- Don't rush, read the instructions first and familiarise yourself with the sequence before you begin.
- Make sure you have all of the parts listed.
- Failure to follow these instructions may result in personal injury, damage to your property, damage to the product and loss of guarantee.
- When replacing any fill or flush device, first mark or take a note of the water level in the cistern before draining. Most cisterns will also have a recommended water level marked on the inside surface.
- The "water level" reference is used when installing your valves to ensure they function correctly.

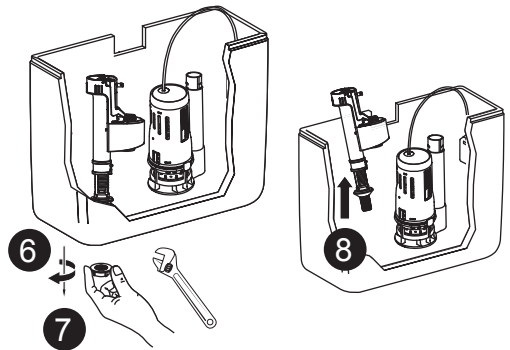


### Removal of existing valve

Please note the below information is only a guide and your own installation may differ slightly.

If this is a new installation and you have no existing valve in your cistern, move straight onto step 1.

- If you have a fill valve already installed, begin by isolating the water supply to the fill valve [1].
- It is a good idea to measure the water depth or mark the cistern at the water level. This will help set the water level back to the same point after the valve has been installed.
- Drain the water from the cistern by flushing the toilet and removing all excess water with a sponge [2]/[3]/[4].
- Remove the water supply connection from the fill valve shank [5].
- Most fill valves will be secured to the cistern with a locking nut that can be removed by hand or with a spanner. The nut should be situated on the inlet shank of the fill valve, on the outside of the cistern [6]/[7].
- Remove and correctly dispose of the old fill valve [8].
- Clean all debris from the inside of the cistern including any existing seals/washers.
- We also recommend flushing the water supply pipework for 10 seconds before installing the new valve. Be sure to position a bucket under the water supply line before opening the isolation valve.



### Safety

- Do not use sealing compounds as damage over time may occur to the plastic components causing leaks.
- Do not over-tighten components as damage over time may occur.
- Do not add any Chemicals (e.g. Disinfectant Tablets/Bleaches etc) into the cistern water.
- Suitable for water temperature range: 2°C to 45°C
- The product, its components and packaging are not toys and should be kept out of the reach of children.

## Guarantee

We take special care to select high quality materials and use manufacturing techniques that allow us to create products incorporating design and durability. This product has a manufacturer's guarantee of 10 years against manufacturing defects, from the date of purchase (if bought in store) or date of delivery (if bought online), at no additional cost for normal (non-professional or commercial) household use.

To make a claim under this guarantee, you must present your proof of purchase (such as a sales receipt, purchase invoice or other evidence admissible under applicable law), please keep your proof of purchase in a safe place. For this guarantee to apply, the product you purchased must be new, it will not apply to second hand or display products. Unless stated otherwise by applicable law, any replacement product issued under this guarantee will only be guaranteed until expiry of the original period guarantee period.

This guarantee covers product failures and malfunctions provided the product was used for the purpose for which it is intended and subject to installation, cleaning, care and maintenance in accordance with the information contained in these terms and conditions, in the user manual and standard practice, provided that standard practice does not conflict with the user manual.

This guarantee does not cover defects and damage caused by normal wear and tear or damage that could be the result of improper use, faulty installation or assembly, neglect, accident, misuse, or modification of the product. Unless stated otherwise by applicable law, this guarantee will not cover, in any case, ancillary costs (shipping, movement, costs of uninstalling and reinstalling, labour etc), or direct and indirect damage.

The guarantee excludes diaphragms and seals.

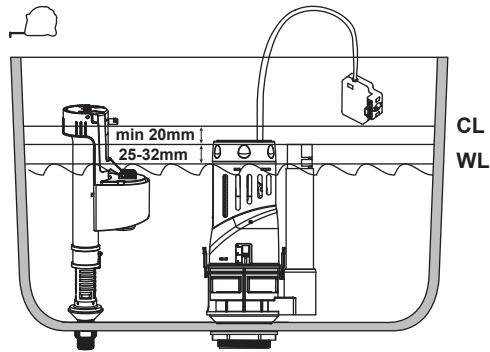
If the product is defective, we will, within a reasonable time, replace or refund.

Rights under this guarantee are enforceable in the country in which you purchased this product. Guarantee related queries should be addressed to the store you purchased this product from.

The guarantee is in addition to and does not affect your statutory rights.

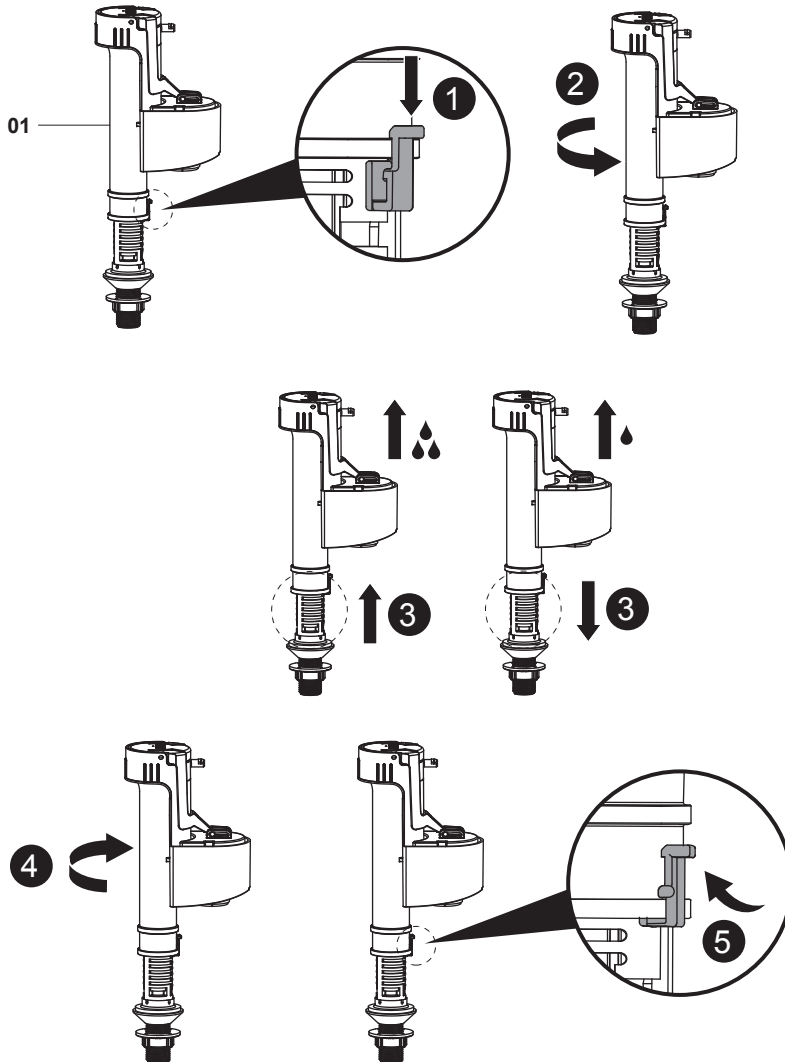
**IMPORTANT - RETAIN  
THIS INFORMATION  
FOR FUTURE  
REFERENCE:  
READ CAREFULLY**

## Information



**NOTE:** Once installed, the valve's critical level (marked CL on the product) should be around 20 mm above the height of the flush valve overflow or 45 to 52 mm above the water level. The first step would be to adjust the height of the fill valve before fully installing it. See "Assembly Step 1" for details. Use a tape measure to record the height required and use that to adjust the valve accordingly.

# 01

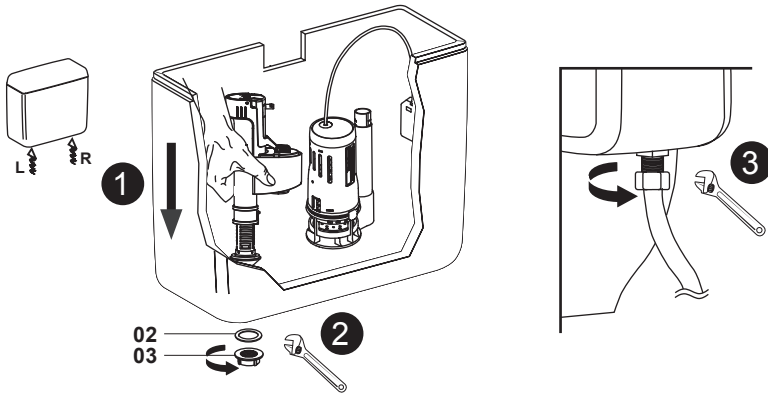


Remove the securing clip [1] and rotate the top half of the product [2] to unlock the valve ready for adjustment.

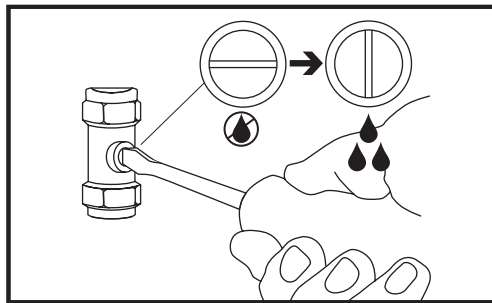
Pull [3] or push [3] the bottom half of the product to get the desired height.

Rotate the top half of the valve [4] to lock in the height and refit the securing clip [5].

# 02



- [1] Fit the valve (1) (now adjusted to the correct height) to the cistern.
- [2] On the outside of the cistern, fit the washer (2) and the backing nut (3) to the shank and secure using a spanner. Remember not to overtighten.
- [3] With the valve installed, secure the water supply connection to the fill valve shank and secure using a spanner. Remember not to overtighten.



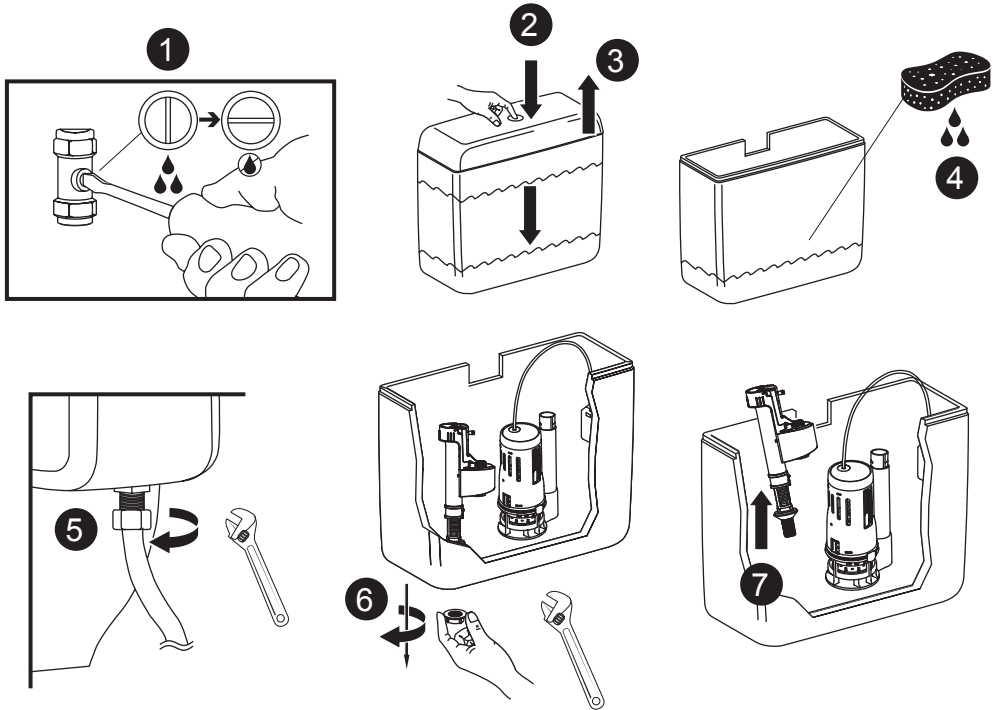
Turn the water supply valve on, check for leaks and that the valve is functioning and shutting off correctly.

**NOTE:** There is no float adjustment with this fill valve. It is based off the valve body height. If the water level was not measured correctly or needs adjustment it can be done whilst installed. Follow instructions in "Assembly step 1" on how to further adjust the valves height to get the correct water level.

## EN Care & maintenance

To keep your fill valve functioning correctly, it is recommended to clean both the filter and diaphragm every 6 months.

# 01

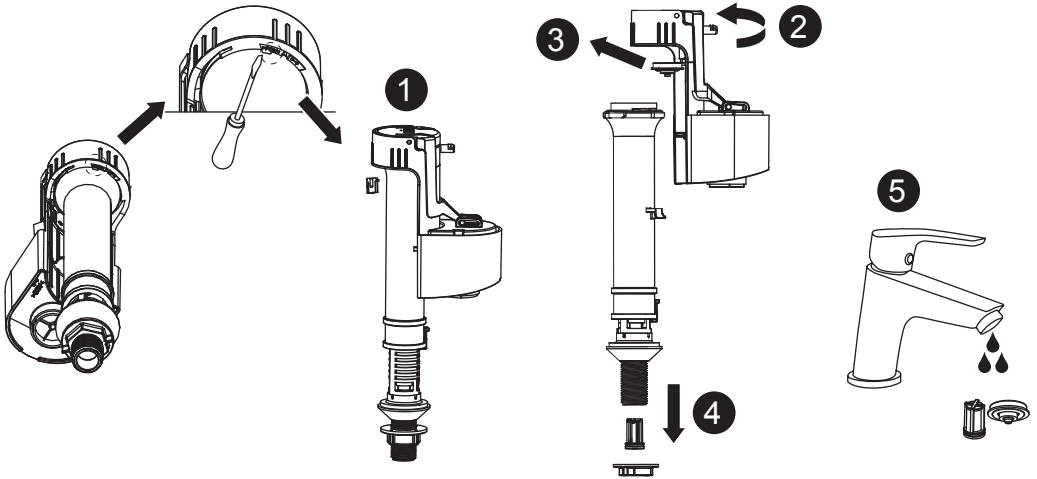


## Valve removal

- Begin by isolating the water supply to the fill valve [1].
- Drain the water from the cistern by flushing the toilet and removing all excess water with a sponge [2]/[3]/[4].
- Remove the water supply connection from the fill valve shank [5].
- Remove the locking nut using a spanner [6].
- Remove the fill valve from the cistern [7].
- We also recommend flushing the water supply pipework for 10 seconds before reinstalling the valve. Be sure to position a bucket under the water supply line before opening the isolation valve.



# 02



## Filter and Diaphragm cleaning

- Using a small flat head spanner, remove the clip on the underside of the valve head [1].
- Rotate valve head and float assembly and lift to remove. This will allow access to the fill valve diaphragm. You can also remove the filter for cleaning at this stage [2]/[3]/[4].
- Clean the filter and diaphragm with tap water [5].
- Follow all steps above in reverse order to reassemble and install the fill valve back to working conditions.

---

**Manufacturer:**

**UK Manufacturer:**

Kingfisher International Products Limited,  
1 Paddington Square, London, W2 1GG,  
United Kingdom

**EU Manufacturer:**

Kingfisher International Products B.V.,  
Rapenburgerstraat 175E,  
1011 VM Amsterdam,  
The Netherlands

**EN** [www.diy.com](http://www.diy.com)  
[www.screwfix.com](http://www.screwfix.com)  
[www.screwfix.ie](http://www.screwfix.ie)

**To view instruction manuals online,  
visit [www.kingfisher.com/products](http://www.kingfisher.com/products)**