

1

2024/23
TV

2

04/05/23
MD

3

16/06/23
MD

4

02/08/23
MD

5

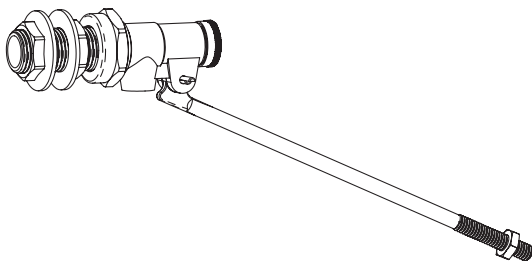
XXXXXX
NAME

6

XXXXXX
NAMEEAN: 5059340756912
Version No: FPL202302
KING: KING-2471-0208

Page Size: A6

EN Side Entry
Brass Part
1 Float Fill
Valve

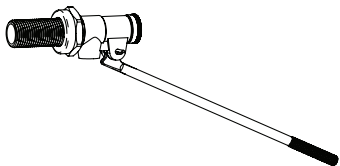


EN IMPORTANT - These instructions are for your safety. Please read through them thoroughly prior to handling the product and retain them for future reference.

V10823_5059340756912_MAND1_2223

5059340756912
5059340756936

EN Parts



01. x1



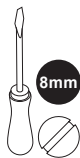
02. x2



03. x1

EN You will need

x1



8mm



EN Contents

EN	
Safety	3
Guarantee	3
Assembly	4
Care & maintenance	7



EN Safety

Before you start

- Don't rush, read the instructions first and familiarise yourself with the sequence before you begin.
- Make sure you have all of the parts listed.
- Failure to follow these instructions may result in personal injury, damage to your property, damage to the product and loss of guarantee.

Removal of existing valve

Please note the below information is only a guide and your own installation may differ slightly.

If this is a new installation and you have no existing valve in your cistern, move straight onto step 1.

- If you have a fill valve already installed, begin by isolating the water supply to the fill valve.
- Drain the water from the cistern by flushing the toilet.
- Remove the water supply connection from the fill valve shank.
- Most fill valves will be secured to the cistern with a locking nut that can be removed by hand or with a spanner. The nut should be situated on the inlet shank of the fill valve, on the outside of the cistern.
- Remove and correctly dispose of the old fill valve.
- Clean all debris from the inside of the cistern including any existing seals/washers.
- We also recommend flushing the water supply pipework for 10 seconds before installing the new valve. Be sure to position a bucket under the water supply line before opening the isolation valve.

Safety

- Do not use sealing compounds as damage over time may occur to the plastic components causing leaks.
- Do not over-tighten components as damage over time may occur.
- Do not add any Chemicals (e.g. Disinfectant Tablets/Bleaches etc) into the cistern water.
- Suitable for water temperature range: 2°C to 45°C.
- The product, its components and packaging are not toys and should be kept out of the reach of children.

Guarantee

We take special care to select high quality materials and use manufacturing techniques that allow us to create products incorporating design

and durability. This product has a manufacturer's guarantee of 2 years against manufacturing defects, from the date of purchase (if bought in store) or date of delivery (if bought online), at no additional cost for normal (non-professional or commercial) household use.

To make a claim under this guarantee, you must present your proof of purchase (such as a sales receipt, purchase invoice or other evidence admissible under applicable law), please keep your proof of purchase in a safe place. For this guarantee to apply, the product you purchased must be new, it will not apply to second hand or display products. Unless stated otherwise by applicable law, any replacement product issued under this guarantee will only be guaranteed until expiry of the original period guarantee period.

This guarantee covers product failures and malfunctions provided the product was used for the purpose for which it is intended and subject to installation, cleaning, care and maintenance in accordance with the information contained in these terms and conditions, in the user manual and standard practice, provided that standard practice does not conflict with the user manual.

This guarantee does not cover defects and damage caused by normal wear and tear or damage that could be the result of improper use, faulty installation or assembly, neglect, accident, misuse, or modification of the product. Unless stated otherwise by applicable law, this guarantee will not cover, in any case, ancillary costs (shipping, movement, costs of uninstalling and reinstalling, labour etc), or direct and indirect damage.

The guarantee excludes diaphragms and seals. If the product is defective, we will, within a reasonable time, replace or refund.

Rights under this guarantee are enforceable in the country in which you purchased this product. Guarantee related queries should be addressed to the store you purchased this product from. The guarantee is in addition to and does not affect your statutory rights.

**IMPORTANT - RETAIN
THIS INFORMATION
FOR FUTURE
REFERENCE: READ
CAREFULLY**

EN Assembly

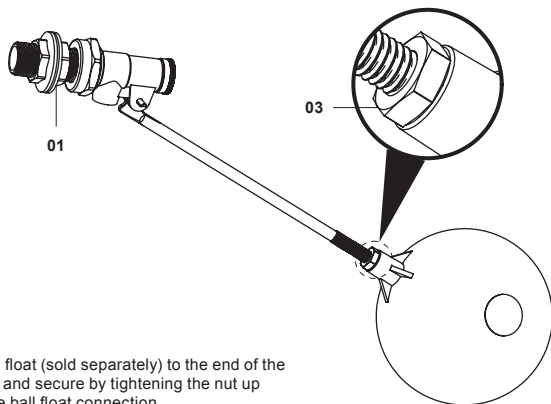
01



01. x1

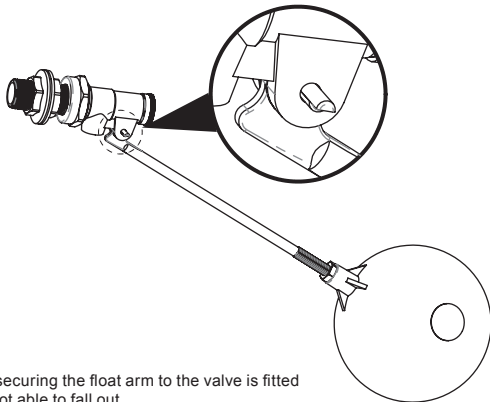


03. x1



Fit the ball float (sold separately) to the end of the float valve and secure by tightening the nut up against the ball float connection.

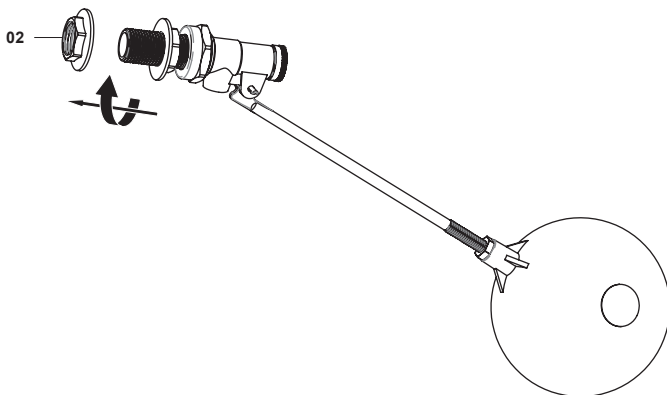
02



Check the pin securing the float arm to the valve is fitted correctly and not able to fall out.

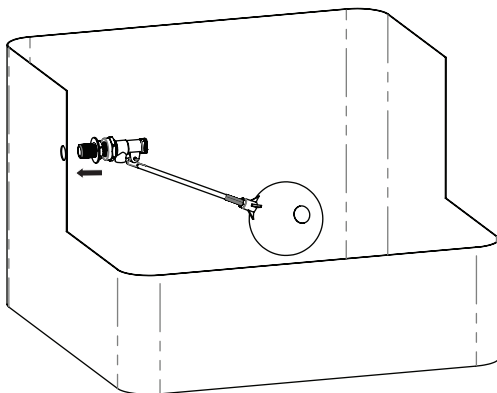
03

02. x2



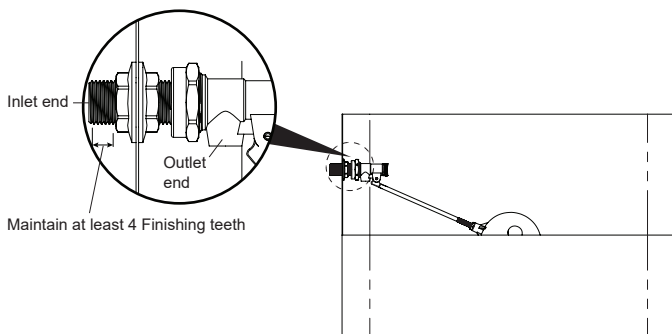
Remove one of the backing nuts from the inlet shank.

04



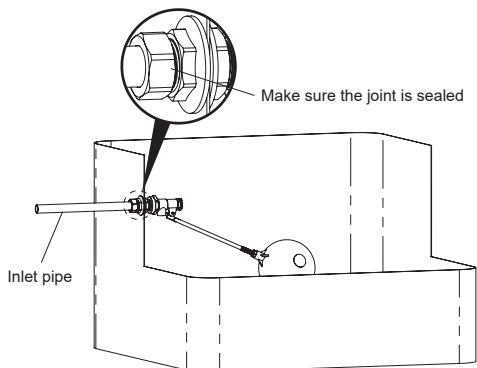
Fit the valve to the cistern.

05



Fit the backing nut to the shank on the outside of the cistern. Do not over tighten the nut. See details on positioning in the image above.

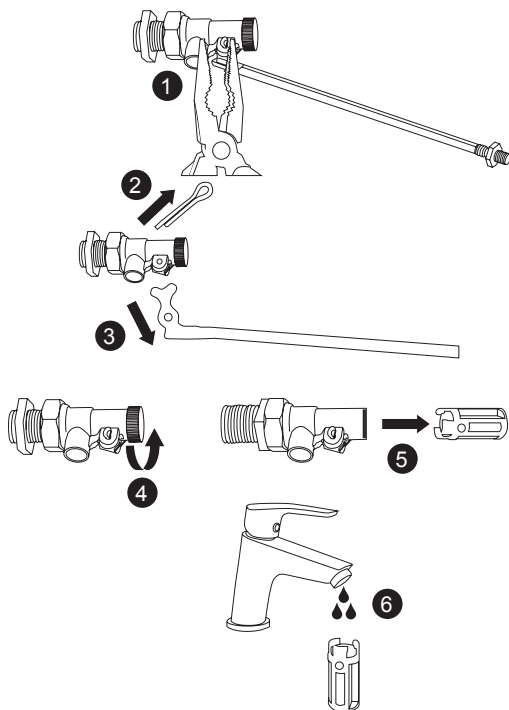
06



Secure the water supply pipe to the valve inlet and tighten with spanner. Do not over tighten. Turn on the water supply and check for leaks and for correct operation.

EN Care & maintenance

NOTE: Before carrying out maintenance, isolate the water supply and remove the valve from the cistern.



1. Bend the locking pin using pliers until it is straight and able to be removed.
2. Remove the locking pin.
3. Remove the float arm.
4. Unscrew the rear cap of the float valve.
5. Remove the seal cartridge.
6. Clean the seal using tap water. The seal can also be replaced if damage has occurred.

NOTE: To reassemble the valve, follow the instructions in reverse.

Manufacturer:

UK Manufacturer:

Kingfisher International Products Limited,
1 Paddington Square, London, W2 1GG,
United Kingdom

EU Manufacturer:

Kingfisher International Products B.V.,
Rapenburgerstraat 175E,
1011 VM Amsterdam,
The Netherlands

EN www.diy.com
www.screwfix.com
www.screwfix.ie

**To view instruction manuals online,
visit www.kingfisher.com/products**