



2800W Electric Silent Shredder

WEESS

1938266001

en - Original Instructions

ASSEMBLY REQUIRED

Save these instructions

Sales & Support: 01793 333212

Before use please read & understand this manual; paying particular attention to the safety instructions before use.

Incorrect use of the product could put the operator or machine in danger.

Whilst every effort has been made to ensure the accuracy of information contained in this manual, our policy of continuous improvement determines the right to make modifications without prior warning.

Images are used for illustration purposes only.



INSTRUCTION MANUAL



24 Jan 2022

Copyright Notice

Copyright © Handy Distribution

Permission is granted to reproduce this publication for personal & educational use only.

Commercial copying, redistribution, hiring or lending is prohibited.

No part of this publication may be stored in a retrieval system or transmitted in any other form or means without written permission from Handy Distribution.

In all cases this copyright notice must remain intact.

SPECIFICATION
IMPORTANT INFORMATION
GENERAL SAFETY INSTRUCTIONS
KNOW YOUR MACHINE
SET UP & PREPARATION FOR OPERATION
ASSEMBLY
OPERATION
ELECTRICAL CONNECTION
MAINTENANCE, CLEANING & STORAGE
TROUBLE SHOOTING
PARTS DIAGRAM & LIST
DECLARATION OF CONFORMITY
WARRANTY

ASSEMBLY IS REQUIRED - MINIMUM TWO PERSONS

- This product requires assembly before use.
- See "Assembly" section for instructions.
- Because of the weight and/or size of the machine, it is recommended that another adult is present to assist with the assembly.
- Inspect all components closely upon receipt to make sure no items are missing or damaged.



WARNING

Read this instruction manual carefully before operating this machine. Make sure that you are familiar with the controls and properly operate the machine. Following these instructions can reduce the risk of personal injury.



INSTRUCTION MANUAL

SPECIFICATION

Model No.	WEESS
Product No.	1938266001
Motor	230-240V~ 50Hz
Rated Power	2800W
Revolutions Max. (Per Min)	2850
Blade Cylinder \varnothing	88mm
Number of Blades	8
Max Cutting Capacity	45mm
Collector Capacity	55L
Cable Length	10m
Guaranteed Sound Power Level L_{WA} :	96 dB(A)
Weight:	27.6 kg

The manufacturer reserves the right to change the product specification and livery according to continued product improvements.

Consistent with our policy of continuous improvement, The Handy reserves the right to change the design and configuration of any of its products without notice or obligation. Therefore, please treat the text and images in this manual for illustrative purposes only. They may in no case serve as a basis for any legal claim.

If you require any assistance with regards to the contents or operation of your machine, please contact us:

Tel: 01793 333212, option 2

Email: customerservice@handydistribution.co.uk

Opening Hours Weekdays: (CLOSED WEEKENDS & BANK HOLIDAYS)

February to October 8:00am - 5:00pm - November to January 8:30am - 5:00pm



This symbol on the product or on its packaging indicates that this product may not be treated as household waste. Instead it shall be handed over to the applicable collection point for the recycling of electrical and electronic equipment.

For more detailed information about recycling of this product, please contact your local council office, your household waste disposal service or shop where you purchased the product.

IMPORTANT INFORMATION

INTENDED USAGE

The basic version of the equipment is an electric shredder intended for private use, i.e. for use in home and domestic gardening environments. It is designed for compacting fibrous and wood-related materials such as hedge and tree cuttings, branches, bark and pine cones from medium sized gardens. Any use not expressly permitted in this manual may damage the shredder and pose a serious danger to the user.

DO NOT FILL THE SHREDDER WITH STONES, GLASS, METAL, BONES, PLASTICS or FABRICS.

The shredder is for private use only, whose annual operating time generally does not exceed 25 hours. Public facilities, sporting facilities and agricultural / forestry applications are excluded.

Please read this entire manual prior to operating the equipment. It instructs you how to safely and easily set up, operate and maintain your machine. Please be sure that you and any other persons who will operate the machine, always carefully follow the recommended safety practices. Failure to do so could result in personal injury or property damage.

IF NOT USED PROPERLY THIS MACHINE CAN BE DANGEROUS!

This machine can cause serious injury to the operator and others, the warning and safety instructions must be followed to ensure reasonable safety and efficiency in using this product. The operator is responsible for following the warning and safety instructions in this manual and on the machine. Never use the product unless the components are correctly positioned and operational.

TRAINING

Read the instructions carefully: Be familiar with the controls and the proper use of the equipment.

Never allow children or people unfamiliar with these instructions to use the product.

Local regulations can restrict the age of the operator.

Keep in mind that the operator or user is responsible for accidents or hazards involving the machine that occur to other people or their property.



WARNING

The operator or user is responsible for accidents and injury or damage to third parties.

The equipment is allowed to be used only for its prescribed purpose. Any other use is deemed to be a case of misuse. The user/operator and not the manufacturer will be liable for any damage or injuries of any kind resulting from such misuse. Please note that our equipment has not been designed for use in commercial, trade or industrial applications. Our warranty will be 90 days from the original date of sale for commercial, trade or industrial businesses or for equivalent purposes.



INSTRUCTION MANUAL

GENERAL SAFETY INSTRUCTIONS

It is important that you read and understand the owner's manual and labels affixed to the machine. Learn its application and limitations as well as the specific potential hazards. Retain these instructions for future reference. The operator is responsible for following the warnings & instructions in this manual and on the product.

	<p>Read & understand the instruction manual before using the machine. Failure to follow instructions could result in death or serious injury. Please keep in a safe place for future reference.</p>		<p>Whenever the machine is in use, safety goggles or glasses must be worn to safeguard against flying objects. Hearing protection must also be used to protect the operators hearing. Face masks are also recommended to avoid inhalation of debris.</p>
	<p>Remove the electrical plug from the power supply before any maintenance, repair, cleaning or if the power cable is damaged.</p>		<p>Always wear gloves to protect your hands. Wear foot protection or sensible shoes when using the machine. Steel-toed shoes are recommended</p>
	<p>DANGER Keep all bystanders & animals away from the machine during operation. If approached, stop the machine immediately.</p>		<p>DANGER — THROWN DEBRIS Remove objects that can be thrown by the machine in any direction.</p>
	<p>IMPORTANT NOTE! Risk of injury due to rotating blade! Keep hands and feet outside of the openings when the machine is running.</p>		<p>Keep guards in place and in working order. Replace damaged, missing, or failed parts before operating.</p>
	<p>Do not misuse as a step or climb upon the machine.</p>		<p>Do not expose to rain or damp conditions.</p>
	<p>Safety alert symbol. Used to alert you to potential personal injury hazards. Obey all safety messages that follow this symbol to avoid possible injury.</p>		<p>Indicates an imminently hazardous situation which, if not avoided, will result in serious injury</p>
	<p>Indicates a potentially hazardous situation which, if not avoided, could result in serious injury</p>		<p>Indicates a potentially hazardous situation which, if not avoided, may result in minor or moderate injury.</p>
<p>CAUTION</p>	<p>Used without the safety alert symbol indicates a potentially hazardous situation which, if not avoided, may result in property damage.</p>		<p>Noise Level - See label on machine</p>
	<p>CE Marking - the product meets demand and regulations set by the EU</p>		

IMPORTANT SAFETY WARNINGS



WARNING

Before you put the machine into operation, you must read this instruction manual.

When using this machine, observe the following safety instructions to remove the risk of personal injury or material damage. Please also observe the special safety instructions in the respective chapters. Where applicable, follow the legal directives or regulations for the prevention of accidents in relation to the use of this machine.

When using electric tools, basic safety precautions, including the following, should always be followed to reduce the risk of serious personal injury and/or damage to the unit.

GENERAL OPERATION

1. Read this instruction manual carefully in its entirety before attempting to assemble this machine. Read, understand, and follow all instructions on the machine and in the manual(s) before operation. Keep this manual in a safe place for future and regular reference and for ordering replacement parts.
2. Be completely familiar with the controls and the proper use of this machine before operating it.
3. This machine is a precision piece of power equipment, not a plaything. Therefore, always exercise extreme caution. This machine has been designed to perform one job: compacting fibrous and wood-related materials. Do not use it for any other purpose.
4. This appliance is not intended for use by persons (including children) with reduced physical, sensory or mental capabilities, or lack of experience and knowledge, unless they have been given supervision or instruction concerning use of the appliance by a person responsible for their safety.
5. Never allow children under 16 years of age to operate this machine. Children 16 and over should read and understand the instructions and safe operation practices in this manual and on the machine and should be trained and always supervised by an adult.
6. Only responsible individuals who are familiar with these rules of safe operation should be allowed to use this machine.
7. Thoroughly inspect the area where the equipment is to be used. Remove all stones, sticks, wire, bones, toys, and other foreign objects, which could be tripped over or picked up and placed into the shredder. Foreign objects can cause serious damage to the machine or increases the chances of personal injury.
8. Stay in operator zone behind operation panel and handles and keep children, bystanders, helpers, and pets at least 20 metres from shredder while it is in operation. Stop machine if anyone enters area.
9. Always wear safety glasses or safety goggles during operation and while performing an adjustment or repair to protect your eyes. Thrown objects which ricochet can cause serious injury to the eyes.
10. Wear sturdy, rough-soled work shoes and close-fitting trousers and shirts. Shirts and trousers that cover the arms and legs and steel-toed shoes are recommended. Never operate this machine in bare feet, sandals, slippery or light-weight (e.g. canvas) shoes.
11. Do not put hands or feet near or into rotating parts. Always keep clear of input and discharge areas, as the rotating blade can cause injury.
12. Never operate the shredder without proper shields, guards, control lever or other safety protective devices in place and working.
13. Never operate the shredder with damaged safety devices. Failure to do so, can result in personal injury.
14. Do not operate the shredder while under the influence of alcohol or drugs.
15. Never attempt to bypass its operation safety devices. Doing so makes the safety device inoperative and may result in personal injury through contact with the rotating blade. The collector safety lever must operate easily in both directions.
16. Never operate the shredder in wet grass. Always be sure of your footing. A slip and fall can cause serious personal injury.
17. Operate only in daylight or good artificial light. Walk, never run when around the machine.
18. Do not use the machine on a paved, graveled area, which could be damaged by ejected material
19. If the machine starts to vibrate abnormally, stop the motor, and check immediately for the cause. Vibration is generally a warning of trouble.
20. Shut the motor off and wait until the blade comes to a complete stop before cleaning the discharge area.



INSTRUCTION MANUAL

The blade continues to rotate for a few seconds after the stop button is pressed. Never place any part of the body in the shredder area until you are sure the blade has stopped rotating and the electrical plug has been removed from the power source and contact cannot be made between the two.

21. Never operate the shredder without proper shields or other safety protective devices in place and working. Never operate with damaged safety devices. Failure to do so can result in personal injury.
22. Only use parts and accessories made for this machine by the manufacturer. Failure to do so can result in personal injury.
23. If situations occur which are not covered in this manual, use care and good judgement. Contact your nearest Approved Service Dealer for assistance

SLOPE OPERATION

Slopes are a major factor related to slip and fall accidents, which can result in severe injury. Operation on slopes requires extra caution. If you feel uneasy on a slope, or it is greater than 15 degrees, do not operate on it.

Do:

1. Exercise extreme caution when changing direction on slopes.
2. Watch for holes, ruts, rocks, hidden objects, or bumps which can cause you to slip or trip. Tall grass can hide obstacles.
3. Always be sure of your footing. A slip and fall can cause serious personal injury.

Do Not:

1. Do not operate near drop-offs, ditches, or embankments, you could lose your footing or balance.
2. Do not operate on slopes greater than 15 degrees.
3. Do not operate on wet grass. Unstable footing could cause slipping.

CHILDREN

Tragic accidents can occur if the operator is not alert to the presence of children. Children are often attracted to the machine and the activity. They do not understand the dangers. Never assume that children will remain where you last saw them.

1. Keep children out of the operating area and under care of a responsible adult other than the operator.
2. Be alert and turn the machine off if a child enters the area.
3. Before and while moving backwards, look behind and down for small children.
4. Never allow children under 16 years of age to operate this machine. Children 16 and over should read and understand the instructions and safe operation practices in this manual and on the machine and be trained and supervised by an adult.

SERVICE

General Service:

1. Before cleaning, repairing, or inspecting, make certain the blade and all moving parts have stopped. Disconnect the electrical plug from the power source to prevent unintended starting.
2. Check the blade at frequent intervals for proper tightness. Also, visually inspect for damage. Replace with the original equipment manufacturer's (O.E.M.) parts only, listed in this manual. "Use of parts which do not meet the original equipment specifications may lead to improper performance and compromise safety!"
3. Keep all nuts, bolts, and screws tight to be sure the equipment is in safe working condition.
4. Never tamper with safety devices. Check the correct operation regularly.
5. After striking a foreign object, stop the motor, disconnect the electrical plug from the power source. Thoroughly inspect the machine for any damage. Repair the damage before starting and operating the machine.
6. Components, guards and shields are subject to wear and damage which could expose moving parts or allow objects to be thrown. For safety protection, frequently check components and replace immediately with original equipment manufacturers (O.E.M.) parts only, listed in this manual. "Use of parts which do not meet the original equipment specifications may lead to improper performance and compromise safety!"
7. Do not change the motor's settings. The motor has been set for the maximum safe operating speed.
8. Maintain or replace safety and instruction labels, as necessary.
9. Observe proper disposal laws and regulations. Improper disposal of fluids and materials can harm the environment.

DO NOT MODIFY THE MOTOR

To avoid serious injury or death, do not modify the motor in any way. Tampering with the motor settings can cause it to operate at unsafe speeds and lead to premature failure. Never tamper with factory settings of the motor. Please refer to this manual, before undertaking any inspection, repair, or maintenance.

ELECTRICAL SAFETY



Always check that the power supply corresponds to the voltage on the rating plate.

1. Power tool electrical plugs must match the outlet. Never modify the plug in any way. Do not use adapter plugs with earthed power tools. Unmodified plugs and matching outlets will reduce the risk of a lethal electric shock.
2. Avoid body contact with earthed surfaces such as pipes, radiators, kitchen ranges and refrigerators. There is an increased risk of a lethal electric shock if your body is earthed.
3. Do not expose power tools to rain or wet conditions. If water gets inside a power tool, it will increase the risk of a lethal electric shock.
4. Do not damage the electrical cable. Never use the electrical cable for carrying, pulling, or unplugging the power tool. Keep the electrical cable away from heat, oil, sharp edges or moving parts. Damaged or entangled electric cables increase the risk of a lethal electric shock.
5. When operating a power tool outdoors, use an extension cable suitable for outdoor use. Using an extension cable suitable for outdoor use reduces the risk of a lethal electric shock.
6. If operating a power tool in a damp location is unavoidable, use a power supply protected by a residual current device (RCD) with a trip current of not more than 30mA. Using an RCD reduces the risk of a lethal electric shock.
7. Only use extension cables that have been approved for outdoor use and are resistant to splash water. The core diameter for extension cables measuring up to 25 m must be at least 2.5 mm², and 2.5 mm² for cables longer than 25m. Always roll the whole cable off the reel before use. Check the cable for damage.

PERSONAL SAFETY

1. This machine is not intended for use by persons (including children) with reduced physical, sensory or mental capabilities, or lack of experience and knowledge, unless they have been given supervision or instruction concerning use of the machine by a person responsible for their safety.
2. Children should be supervised to ensure that they do not use or play with the machine.
3. Stay alert, watch what you are doing and use common sense when operating this machine.
4. Do not use this machine while you are tired, ill or under the influence of drugs, alcohol, or medication. A moment of inattention while operating this machine can cause you to lose control & may result in series personal injury.
5. Use safety equipment. Always wear eye protection. Safety equipment such as a dust mask, non-skid safety shoes, hard hat, or hearing protection used for appropriate condition will reduce personal injuries.
6. Dress properly. Do not wear loose clothing or jewellery. Keep your hair, clothing & gloves away from moving parts. Loose clothes, jewellery or long hair can be caught in moving parts.
7. Prolonged use of the machine may lead to disorders of blood circulation in hands caused by vibration. These effects can be worsened by low ambient temperatures and/or by gripping the handgrips excessively tightly. Period of use you can extend with appropriate gloves or regular breaks. Take frequent work breaks. Limit the amount of exposure per day.



INSTRUCTION MANUAL

KNOW YOUR MACHINE

1. Feed Hopper	2. Electrical Power Connection
3. Collector Safety Lock	4. Blade Adjustment Knob
5. Collector Frame	6. 55L Collector
7. Support Feet	8. Transport Wheels
9. GREEN On (-)/ RED Off (O) Switch	10. Directional Change Switch
11. Circuit Breaker Switch	12. Motor Housing



* Image may vary from actual machine

SET UP & PREPARATION FOR OPERATION

This product must be assembled correctly before use. Carefully remove the product and any accessories from the carton. Inspect the product carefully to make sure there are no breakages or missing items during shipping. Do not discard the packing material and carton until you have carefully inspected and satisfactorily operated the product.



WARNING

If any parts are damaged or missing do not operate this product until the parts are replaced. Failure to heed this warning could result in serious personal injury.

Do not attempt to modify this product or create accessories not recommended for use with this product. Any such alteration or modification is misuse and could result in a hazardous condition leading to possible serious personal injury.

Read and follow all instructions for assembly and operation. Failure to properly assemble this equipment could result in serious injury to the user or bystanders, or cause equipment damage.

ASSEMBLY

Open the packaging and remove the device carefully. Remove the packaging material as well as the packaging and transport bracing (if fitted). Check that the delivery is complete. Check the device and accessory parts for transport damage. If possible, store the packaging until the warranty period has expired.

If you require any assistance with regards to the contents or operation of your machine, please contact us:

Tel: 01793 333212, option 2.

Email: customerservice@handydistribution.co.uk

Opening Hours Weekdays: (CLOSED WEEKENDS & BANK HOLIDAYS)

February to October 8:00am - 5:00pm - November to January 8:30am - 5:00pm



WARNING

**The device and packaging materials are not toys!
Children must not be allowed to play with plastic bags, film and small parts!
There is a risk of swallowing and suffocation!**

Stop the motor and unplug the electrical power cable from the power source before any repairs or maintenance operations.

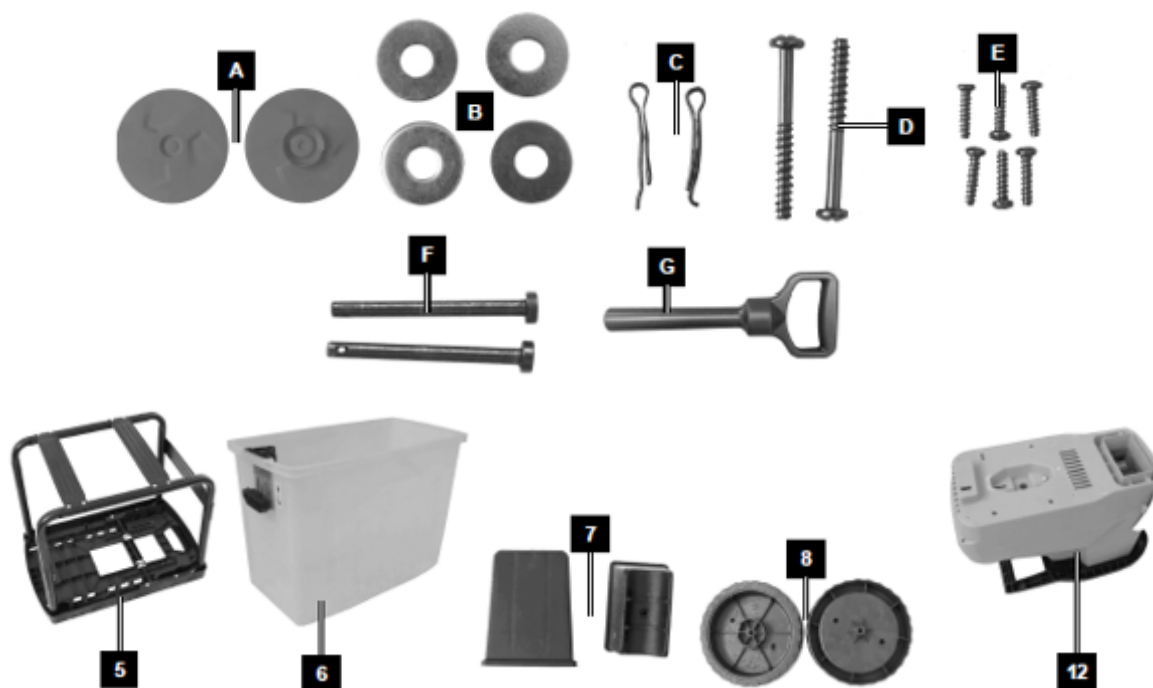
DO NOT attempt to start this machine without it first being FULLY assembled.



INSTRUCTION MANUAL

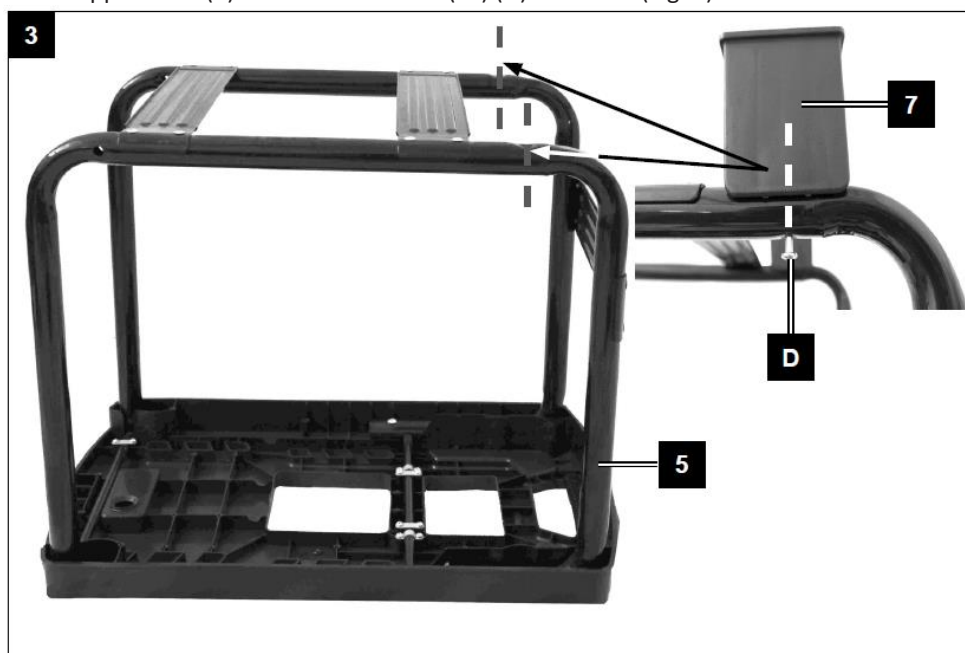
COMPONENTS

A. Wheel Trim (x2)	B. Washer (x4)	C. Split Pin (x2)	D. Screw M5x45 (x2)
E. Screw M5x20 (x6)	F. Wheel Pin $\varnothing 8 \times 70$ (x2)	G. Plunger	5. Frame
6. Collector	7. Feet (x2)	8. Transport Wheel (x2)	12. Motor Housing



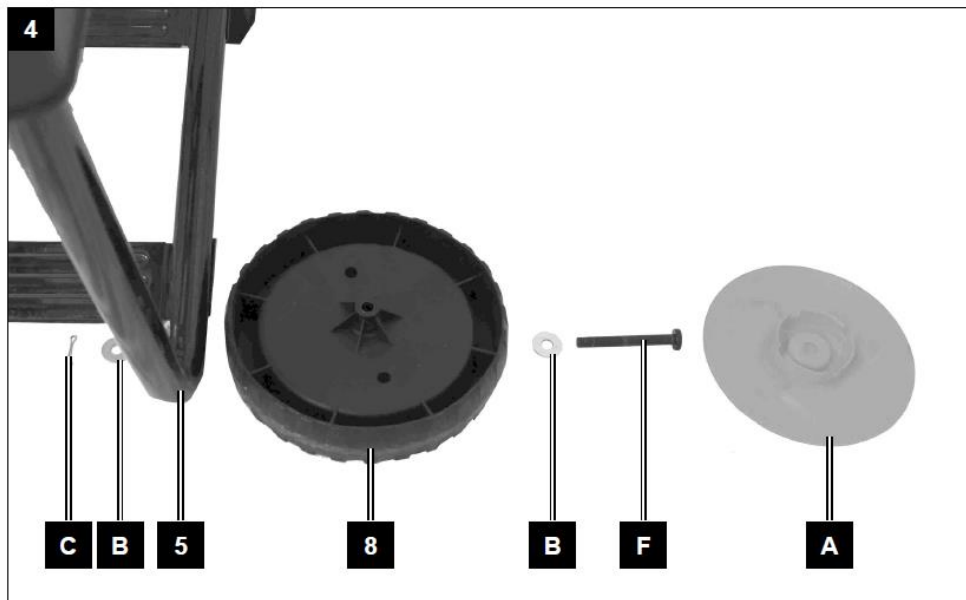
FRAME & FEET

1. First, turn the frame (5) (Fig. 3).
2. Fit the two support feet (7) with Screw M5x45 (x2) (D) as shown (Fig. 3).



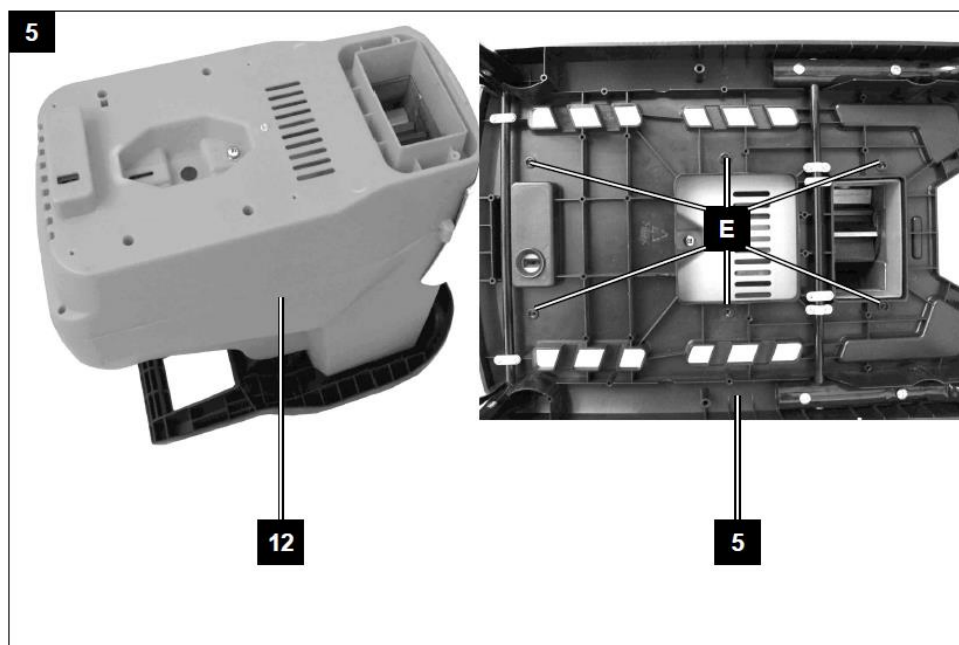
TRANSPORT WHEELS

1. Place Wheel Pin $\varnothing 8 \times 70$ (A) through Washer (B) and then Transport Wheel (8).
2. Fit this to the outside of the Frame (5) and slide through the fixing hole.
3. When the Wheel Pin $\varnothing 8 \times 70$ is through the frame, slide a second Washer (B) on the Wheel Pin and secure with a Split Pin (C) being placed through the eyelet at the end of the Wheel Pin and split the two legs of the Split Pin, to secure.
4. Fit the Wheel Trim (A) to the Wheel (B).
5. Repeat with the second Transport Wheel.



MOTOR HOUSING & FRAME

1. Place the Motor Housing upside down (12) with the loading slot (1) on the ground (Fig. 5).
2. Place the Frame (5) on to the Motor Housing (Fig. 5). Ensure the exit chute of the Motor Housing is aligned with the exit chute of the Frame.
3. Attach both components with the 6x Screw M5x20 into the correct holes (Fig. 5).





INSTRUCTION MANUAL

COLLECTOR

Important: Before you attach the collector, please ensure that the motor is switched off and the blade/tines are not rotating.

1. Turn the machine back onto its feet and transport wheels.
2. Place the locking mechanism (3) on the collector (6) into its lowest position (Fig. 6).
3. Push the collector fully into the frame (Fig. 6).
4. Push the locking mechanism (3) on the collector (6) back into its highest position (Fig. 6).

PLEASE NOTE, THIS MACHINE WILL NOT OPERATE WITHOUT THE COLLECTOR AND LOCKING LEVER FULLY LOCKED INTO POSITION. THE MACHINE IS FITTED WITH A SAFETY SWITCH FOR YOUR OWN HEALTH AND SAFETY.



OPERATION

IMPORTANT:

The shredder can only be started if the collection box (6) has been pushed into the frame (5) and the locking device (3) is in the upper position.



WARNING

Always switch the motor off and remove the electrical plug from the power source before making any adjustments, repairs, or maintenance.

ELECTRICAL CABLE

1. Always route the electrical cable away from the work area, to prevent it from meeting the cutting device.
2. Plan your route before starting work. Start your work at the nearest point to the electrical outlet and work away from it.
3. A 13 AMP (BS1363/A) plug must be used, and a 13 AMP fuse must be fitted.

NOTE: If a molded plug is fitted and must be removed, take great care in disposing of the plug and severed cable, it must be destroyed to prevent engaging into a socket. If the supply cable is damaged, it must be replaced by a service agent or certificated electrician, to ensure the machine can be used safely

POWER CONNECTION



WARNING

Before operating the machine, ensure that the fastening elements are undamaged. To reduce the risk of injuries, always switch off the motor and pull out the mains plug before working on the machine

The product can be connected to any BS three pin socket with 230-240V alternating current.

We recommend to always use the appliance via a Residual Current Device (RCD) with a tripping current of max. 30mA.

1. Electrical cables are particularly susceptible to insulation damage. The causes of this include the following:
 - Damage through crushing if the cable becomes stuck under doors or windows.
 - Damage through crushing if the cable is trapped during storage.
 - Cracks caused by ageing of the insulation sheath.
2. Kinks caused by incorrect fastening of the cable.
3. Such damaged cables should not be used under any circumstances, as they may cause fatal injuries due to a damaged insulation sheath.
4. Always check the plug and cable and make sure they are in good condition before operation.

MOTOR STARTING & STOPPING

To avoid any unintentional start-ups of the motor, it comes equipped with a safety switch/lever on the collector, which must always be in the locked position to operate. When released, the motor will stop.

STARTING THE MOTOR



WARNING

**The cutting blade begins to rotate as soon as the motor is started.
A rotating cutting unit can cause injuries.**

Alternating with branches, shred withered garden waste and branches that have been stored several days to prevent the shredder from becoming blocked.

1. Make sure the collection box (6) is pushed into the frame (5) correctly and the locking handle/lever (3) is in the upper position.
2. Connect the shredder to the power supply.
3. Turn the shredder on by using the GREEN On (-) button (9).
4. Fill shredding material into the feed hopper and it will be drawn in, by the rotating blade.

Caution: If the shredding material becomes jammed, use the switch to change the rotational direction of the cylinder (10) so it runs anti-clockwise.

Make sure the shredder has completely shredded the input material before adding new.

Do not use your hands to push in more shredding material. Use the Plunger (G) device or other shredding material.

STOPPING THE MOTOR

1. When you have finished working with the shredder, press the RED Off (O) button.
2. Disconnect it from the mains.

IMPORTANT:

The blade continues to rotate for a few seconds after the motor is switched off. Never attempt to stop the blade yourself. If the blade strikes an object, immediately switch off the machine and wait for the blade to come to a complete stop. Inspect the condition of the blades. Replace any parts that are damaged.



INSTRUCTION MANUAL

DIRECTIONAL CHANGE SWITCH

Manual change of blade direction (10 - KNOW YOUR MACHINE)

POSITION 

The blades rotate in the forward direction.

POSITION 

The blades rotate in the reverse direction to release jammed material.

When you wish to change the direction of the blades, switch the machine off, by pressing the RED Off (O) button. Press the directional change switch to change the blade direction and then switch the machine on, by pressing the GREEN On (-) button to rotate the blades.

NOTE:

Several repetitions of reverse and forward operations may be required to shred a large object.



CAUTION

Always use a hook or a stick to remove jammed objects to prevent accidents. Always wait until the shredder stops completely before restarting.

USING YOUR SHREDDER



WARNING

The operation of any shredder can result in foreign objects being thrown into eyes, which can cause severe damage. Always wear safety glasses or goggles while operating the shredder, or while performing any adjustments or repairs on it.

Shut the motor off and wait until the shredder comes to a complete stop before cleaning the discharge area. The shredder continues to rotate for a few seconds after the Off button is pressed.

Alternating with branches, shred withered garden waste and branches that have been stored several days to prevent the shredder from becoming blocked.

1. Make sure the collection box (6) is pushed into the frame (5) correctly and the locking lever/handle (3) is in the upper position.
2. Connect the shredder to the power supply.
3. Turn the shredder on by using the GREEN ON (-) button (9).
4. Fill shredding material into the feed hopper and it will be drawn in by the rotation of the cutting blade.

Caution: If the shredding material becomes jammed, use the directional change switch to change the rotational direction of the cylinder (10) so it runs anti-clockwise. (See Reverse Switch instructions)

Make sure the shredder has completely shredded the input material before adding new.

Do not use your hands to push in more shredding material. Use the special pushing device or other shredding material.

When you have finished working with the shredder, turn it off and disconnect it from the mains.

EMPTYING COLLECTOR

1. Stop the shredder using the RED Off (O) button (9).
2. Set the locking lever/handle (3) to the lowest position.
3. Pull out the collection box (6) and empty it.
4. Re-insert the collection box (6) and push the locking lever/handle (3) up again.

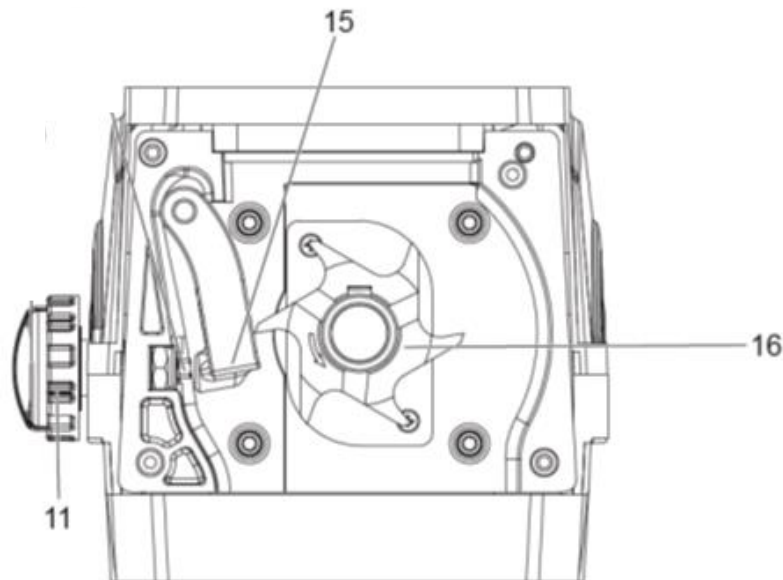
SETTING THE COUNTER BLADE

The counter blade and the blade cylinder have been at the factory. Re-adjusting the counter blade is only required if it becomes worn. For maximum performance, it is necessary that the distance between the counter blade and blade cylinder is about 0.50 mm.

IMPORTANT:

Turn the motor off, prior to making any cutting adjustment and ensure the blade has come to a complete stop. Remove the electrical plug from the power source.

1. The counter blade (15) and the cylinder blade (16) have been ideally adjusted by the manufacturer. Re-adjusting the counter blade is only required if it becomes worn. For maximum performance, it is necessary that the distance between the counter blade and blade cylinder is about 0.50 mm.
2. Plug the electrical plug into the power source and turn the shredder on.
3. Turn the adjustment wheel (11) clockwise until you can hear slight grinding sounds.
4. When turning the adjustment wheel clockwise by half a turn, the cylinder blade is positioned closer to the counter blade by 0.50 mm.



(The image is used for information reasons only)



WARNING

If the shredder blade touches the counter blade, it will be trimmed, and small pieces of swarf may fall out of the ejection opening. This is not an error, but it must be readjusted to the required degree because otherwise the counter blade will wear too early.

OVERLOAD PROTECTION

In the event of overload e.g. due to branches that are too thick, the equipment automatically switches off. After a short cooling period of approximately five minutes, press the circuit breaker switch.

TRANSPORT

When moving the machine to and from the work area, always ensure the electrical plug is removed from the power source.



INSTRUCTION MANUAL

ELECTRICAL CONNECTION

The electrical motor installed is connected and ready for operation. The connection complies with the applicable VDE and DIN provisions. The customer's mains connection as well as the extension cable used must also comply with these regulations.

Damaged electrical connection cable

The insulation on electrical connection cables is often damaged.

This may have the following causes:

- Passage points, where connection cables are passed through windows or doors.
- Kinks where the connection cable has been improperly fastened or routed.
- Places where the connection cables have been cut due to being driven over.
- Insulation damage due to being ripped out of the wall outlet.
- Cracks due to the insulation ageing.

Damaged electrical connection cables must not be used and are life-threatening due to the insulation damage. Check the electrical connection cables for damage regularly. Make sure that the connection cable does not hang on the power network during the inspection.

Electrical connection cables must comply with the applicable VDE and DIN provisions. Only use connection cables with the marking „H05VV-F“.

The printing of the type designation on the connection cable is mandatory.

AC motor

The mains voltage must be 230 V~

Extension cables up to 25m long must have a cross-section of 2.5 mm².

Connections and repairs of electrical equipment may only be carried out by an electrician.

Please provide the following information in the event of any enquiries:

- Type of current for the motor
- Machine data - type plate
- The product meets the requirements of EN 61000-3-11 and is subject to special connection conditions. This means that use of the product at any freely selectable connection point is not allowed.
- Given unfavourable conditions in the power supply the product can cause the voltage to fluctuate temporarily.
- The product is intended solely for use at connection points that
 - a. do not exceed a maximum permitted supply impedance "Z", or
 - b. have a continuous current-carrying capacity of the mains of at least 100 A per phase.
- As the user, you are required to ensure, in consultation with your electric power company if necessary, that the connection point at which you wish to operate the product meets one of the two requirements, a) or b), named above.

MAINTENANCE, CLEANING & STORAGE



WARNING

Improper maintenance & storage of the machine may void your warranty. Keep the machine clean for better and safer performance.

Turn off the motor and remove the electrical plug from the power source before performing any maintenance. Never tilt, lift, or carry the machine while the motor is running.

MAINTENANCE

General Recommendations

1. Always observe safety rules when performing any maintenance.
2. The warranty on this machine does not cover items that have been subjected to operator abuse or negligence. The operator must maintain the machine as instructed.
3. Changing of the motor speed will void warranty.
4. All adjustments should be checked at least once each season.

CLEANING

Motor Care



WARNING

**Do not use a water hose or pressure washer to clean the machine. Water can damage the motor.
Do not use hard or pointed objects for cleaning the machine.**

- Always keep the shredder, wheels and air vents clean. Use a brush or cloth to clean it, avoid cleaners and solvents.
- Always check that the shredder and especially the guards are not worn down or damaged but firmly attached before use. Check that the nuts, bolts and screws are tight.
- Check the covers and guards for damage and improper attachment. If necessary, change the components

STORAGE & TRANSPORT

The following steps should be taken to prepare your machine for storage.



CAUTION

The motor must have completely cooled down before storing.

NOTE: When storing any type of power equipment in an unventilated or material storage shed,

- Care should be taken to rust-proof the equipment. Using a light oil or silicone, coat the equipment, especially cables and all moving parts.
- Be careful not to bend or kink cables.
- Keep the shredder in a dry place out of children's reach. Do not cover the shredder in nylon bags, as moisture may develop.

MAINTENANCE INFORMATION

Please note that the following parts of this product are subject to normal or natural wear and that the following parts are therefore also required for use as consumables.

Wear & Tear parts*: Carbon brushes, knives, roller (* Not necessarily included in the scope of delivery!)

DISPOSAL & RECYCLING

The equipment is supplied in packaging to prevent it from being damaged in transit. The raw materials in this packaging can be reused or recycled. The equipment and its accessories are made of various types of material, such as metal and plastic. Defective components must be disposed of as special waste. Ask your dealer or your local council.

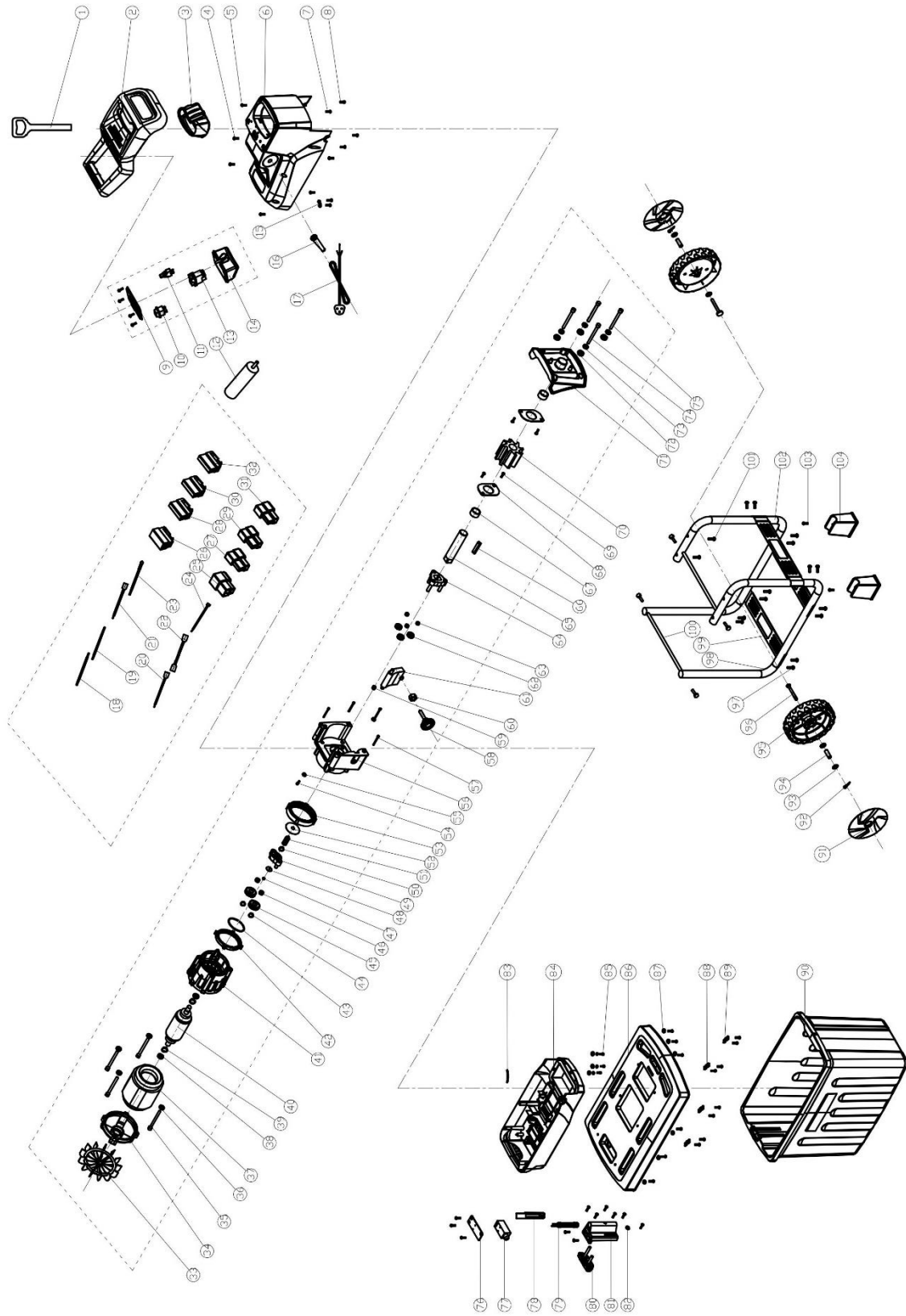
TROUBLE SHOOTING

PROBLEM	POSSIBLE CAUSES	REMEDIAL ACTION
Motor does not start	Collection box not in correct position	Insert the collection box correctly and check the locking device
	Electrical cable defective	Visually inspect fully
	Switch, switch/plug block defective	Have machine inspected by an approved service dealer or electrical specialist.
	Connections to motor or capacitor disconnected	Have machine inspected by an approved service dealer or electrical specialist.
	No electricity	Have the socket, cable, lead and plug checked by a trained electrician (see Electric connection).
Garden waste is not drawn	Blade cylinder rotates anti-clockwise	Change the rotational direction
	No electricity	Push shredding material with special pushing device for shredder.
	Blade cylinder has become blocked	Remove blockage
Shredding material is tangled.	Counter blade is not set correctly.	Re-adjust counter blade



INSTRUCTION MANUAL

PARTS DIAGRAM - WEES 1938266001



PARTS LIST - WEISS 1938266001

Item No.	Webb Part No.	Webb Description	Qty / Item No.	Webb Part No.	Webb Description	Qty / Item No.	Webb Part No.	Webb Description	Qty
1	WE184-8034-810101	Debris Plunger	1	WE184-8331-810102	Gear Sleeve 1	2	WE184-8020-810103	Safety Switch Cover	1
2	WE184-8104-810101	Hopper	1	WE184-8331-810106	Centre Gear Sleeve	1	WE184-8042-810103	Switch	1
3	WE184-8101-810101	Hopper Holder	1	WE184-8321-810102	Gear Cover Plate	1	WE184-8321-810106	Switch Sheaf	1
4	WE183-8SABC40-16D	Screw	27	WE184-8466-810101	Gear Stand & Shaft Assembly	1	N/A	Collector Lever Switch Assembly	1
5	WE183-8SABC40-10D	Cross Head Self-Tapping Screw	4	WE184-8CC-16B	Clamp Spring 3	1	N/A	Collector Lever Handle	1
6	WE183-8006-810103	Upper Housing	1	WE184-8123-810106	Centre Gear	1	N/A	Collector Switch Cable	1
7	WE183-8SABC40-20D	Screw	2	WE184-8321-810105	Washer	1	N/A	Flat Washer	1
8	WE184-8SABC50-20D	Screw	10	WE184-8123-810104	Internal Tooth	1	WE184-8481-810402	Shock Pad	1
9	WE184-8181-810101	Switch Panel	1	WE183-8SABD05-12D	Screw	1	WE184-8006-810401	Lower Housing	1
10	WE184-8042-810101	Switch	1	WE184-8WD-05D	Washer	1	WE184-8SABD06-15D	Screw	3
11	WE184-8424-810401	Overload Protector	1	WE184-8454-810106	Blade Housing	1	WE184-8143-810101	Base	1
12	WE184-8416-810401	Capacitor	1	WE184-8SABD05-40D	Screw	4	WE184-8WA-051010D	Washer	6
13	WE184-8042-810102	Magnetic Switch	1	WE184-8311-810101	Knob Assembly	1	WE183-8321-810103	Pressing Plate 1	2
14	WE184-8454-810101	Switch Box	1	WE184-8331-810101	Blade Shaft Inner Sleeve	1	WE184-8321-810107	Pressing plate 2	2
15	WE184-D78184-710101	Cable Plate	1	WE184-8207-810101	Screw	1	WE184-8105-810101	Collector With Switch Assembly	1
16	WE184-8332-810101	Cable Sheaf	1	WE184-8181-810103	Inlet Baffle Assembly	1	WE184-8020-810101	Wheel Trim	2
17	WE184-8422-810103	BS Plug & 10m Cable	1	WE184-8123-810102	Gear	3	WE183-8PA02-16D	Cotter Pin	2
33	WE184-8403-810401	Fan	1	WE184-8331-810103	Gear Sleeve 2	3	WE184-8WA-082215D	Washer	4
34	WE184-8301-810401	Motor Back Bracket	1	WE184-8466-810102	Gear Stand Assembly	1	WE184-8331-810105	Wheel Axle Sleeve	2
35	WE184-8206-810401	Screw	4	WE184-8085-810103	Blade Shaft	1	WE184-8121-810101	Wheel	2
36	WE183-8WB-05D	Spring Washer	8	WE184-8205-810102	Washer	1	WE184-8085-810105	Axle	2
37	WE184-8405-810401	Stator	1	WE184-8331-810104	Blade Spindle Seeve	2	WE184-8RC05-15D	Rivet	16
38	WE184-8B-6203RS	Bearing 6203RS	2	WE184-8321-810101	Gasket	2	WE184-8061-810101	Base Rack Left Leg	1
39	WE184-8CC-17B	Clamp Spring 1	2	WE184-8SEBD05-12D	Screw	4	WE184-8061-810104	Base Support Plate	3
40	WE184-8402-810401	Rotor & Drive Shaft	1	WE184-8231-810101	Blade	1	WE184-8061-810103	Base Support Rod	2
41	WE184-8301-810402	Motor Front Bracket	1	WE184-8020-810102	Blade End Cover	1	WE184-8SBB06-20D	Screw	4
42	WE184-8123-810103	Internal Tooth Clamp Ring 1	1	WE184-8WA-061515D	Washer	3	WE184-8061-810102	Base Rack Right Leg	1
43	WE184-8204-810401	Internal Tooth Clamp Ring 2	1	WE184-8WB-06D	Spring Washer	7	WE184-8SABC50-50D	Screw	2
44	WE184-8CC-12B	Clamp Spring 2	2	WE183-8SKCD06-25D	Screw	3	WE184-8141-810101	Foot	2
45	WE184-8123-810101	Gear	2	WE184-8SMKD06-25D	Screw	1	WE184-105	Wiring & Connectors	1

Spare Parts are available from our Spares Team. Please call 01793 333212, option 1 for assistance.



EC DECLARATION OF CONFORMITY

We Handy Distribution Ltd - SN3 5HY (Importer) declare that the product:

Designation: Electric 2800W Silent Shredder
Model(s): WEESS
Product No.: 1938266001
Type/Serial No. As per rating label on machine
Rated Power: 2800W
Revolutions Max. (Per Min): 2850

Complies with the following directives:

Machinery Directive 2006/42/EC

The conformity assessment procedure followed was in accordance with:
EN 60335-1; EN 62233; EN55014-1; EN55014-2; EN 61000-3-2; EN13683

Noise Directive 2000/14/EC

Examination of the above appliances using the requirements and test methods of
EN ISO 11094: 1991, EN ISO 3744:1995
Declared Guaranteed Sound Power Level L_{WA}: 96 dB(A)

Test Notified Body:

TUV-SUD CERTIFICATION AND TESTING (CHINA) CO LTD, SHANGHAI.

Authorised signatory and technical file holder

Date: 04/09/2020

Signature: 

Name: Mr Simon Belcher

Position: Chairman

Company: Handy Distribution Ltd

Address: Murdock Rd, Swindon, Wiltshire, SN3 5HY.





INSTRUCTION MANUAL

This Service Book is provided with your Webb, to help you look after your purchase to our recommendations and enable you to take advantage of the conditional manufacturer domestic warranty*.

Present this service book to your authorised Webb repair dealer, whenever a service or a warranty appraisal is required.

The booklet is applicable to the following products, in the UK only:

- Ride On Lawn Tractors
- Cylinder Lawnmowers
- Petrol Rotary Lawnmowers
- Petrol Hand Held Range

Please register your machine using the following pages or at www.webbgardenpower.co.uk. By registering your machine, you agree to maintain the machine in accordance with the service schedules specified in this manual and services duly recorded. (Not applicable for Webb electric handheld machines). You may be asked to produce this booklet as proof of servicing in the event of a claim. Proof of purchase should also be kept as a reference.

Ensure you have the following information available from your machine product label. The two examples below can be found on your machine:



1. Model Number

2. Serial & Product Number

Please complete using BLOCK CAPITALS.
Sections marked* must be completed to validate Warranty.

SERVICE BOOK

1. Users Statement of Warranty

Each new machine is warranted against defective material or assembly of material under normal usage. The warranty applies to the original purchaser, is not transferable and covers faulty parts and the labour involved in replacing and repairing those parts, which are of original manufacture.

2. Period of Warranty - valid from 1 January 2020

Webb (excludes Dynamic, Legacy & Heritage), 2 year conditional warranty from the original date of sale to the first domestic user.

Webb (Dynamic, Legacy & Heritage) 1 year warranty from the original date of sale to the first domestic user.

90 days from the original date of sale to the professional/commercial or for hire user.

Engine warranty as per the engine manufacturer's warranty, which will be supplied with the machine.

90 days from the original date of sale for Replacement Spare Parts

All machines' must be serviced within the first 14 months from the original date of purchase, to qualify for a second year parts & labour warranty, details of the service must be recorded in the service record within this manual.

A reduced warranty period of 90 days applies to those items which are subject to normal wear and tear and in normal use, will need replacement or adjustment.

These items are chargeable after 90 days of ownership.

Filters
Tyres / Wheels
Drive chains and belts
Brake & clutch friction components
Control cable & starter cords
Fluids & lubricants
Spark plugs
Blades (Lawnmowers & Brushcutters)
Cutter bars (Hedgecutters)
Drive & clutch cable surfaces
Nylon Lines (Line Trimmers)
Carburettor cleaning
Bearings
Bushes
Electric cable
Grass collectors

3. Not covered by this warranty

(a) The warranty policy does not cover any depreciation or damages caused by ordinary wear, rusting or corrosion, lack of correct maintenance or operation, misuse, abuse, lack of transportation or accident.

(b) The warranty policy does not cover any costs necessary for the standard periodic maintenance services instructed by the operators manual, or service parts replacement which would include oil, filters, tyres, belts, brake linings, fuses, blades, seals and other service parts unless it can be proven that the item has evidence of faulty manufacture.

(c) The warranty policy will not cover failure or damage caused as a result of parts or accessories being modified without the written approval of GJ Handy & Co Ltd.

(d) The warranty policy will not cover the unit if non-genuine parts have been fitted and as a result damage has occurred to the unit.

(e) The warranty policy is non-transferable and is only applicable to the original purchaser.

4. Disclaimer

(a) This warranty is only a remedy for defect of products. GJ Handy & Co Ltd will never warranty in terms of the merchantability or the fitness for a particular purpose.

(b) No person is authorised to make any warranties, representations or promises, expressed or implied, on behalf of GJ Handy & Co Ltd, or to modify the terms conditions or limitation of this warranty policy in any way.



INSTRUCTION MANUAL

(c) Neither GJ Handy & Co Ltd nor any company affiliated with GJ Handy & Co Ltd shall be liable in any event or manner whatsoever for incidental or consequential damages or injuries, including, but not limited to, loss of crops, loss of profit, out of pocket expenses or profits, rental of substitute equipment or other commercial losses.

5. General

(a) Most warrantable failures show up within the first few weeks of use. These failures are usually straightforward and warranty assessment is relatively easy.

(b) Failures relating to cutter decks and belts need careful investigation, as the cause may not always be straightforward. Look for damage to blades and pulleys especially when the cutter belt or blade boss have snapped or cracked as this could be due to impact damage.

(c) Customers should always refer to the operator/instruction manual when any disputed problem arises, you will find most areas covered within the manual.

Protecting your machine

Maintenance

Regular maintenance of your Webb machine is essential to ensure it operates, safely, efficiently and therefore reducing the environmental impact.

It is the owner's responsibility to ensure that their Webb machine is maintained at specific intervals. Any approved Webb service dealer can undertake a service, which are specialised in our products and will be aware of your particular machine and any technical updates which will save valuable time & money.

If you are using your machine in dry, dusty or high temperatures, you will need to service the machine more regularly.

Fuel (if applicable)

Due to ongoing efforts by fuel companies to reduce emissions, unleaded petrol will oxidize & deteriorate in storage overtime, leaving residue from detergent components.

Fuel deterioration problems may occur when petrol is stored for over 30 days. If you are planning to store fuel for over 30 days, we recommend you add Handy Parts Sure-Start fuel stabilizer to fresh fuel after purchasing. Sure-Start cannot reconstitute stale fuel.

Storage

When storing your machine for an extended period, we do recommend that you follow the instructions of engine instruction manual.

Always store the fuel in a clean, approved and sealed container. If the container is steel, ensure it is not corroded. If the container is not filled to its recommended capacity, air can accelerate fuel deterioration.

Always store fuel away from direct sunlight, in a dark, cool environment.

SERVICE BOOK

Your servicing Webb approved dealer will stamp & date the below relevant sections, when the correct service actions have been completed.
PLEASE ENSURE THE SERVICE BOOK IS AVAILABLE FOR THE DEALER, DURING SERVICE WORK.

1st Service

This must be stamped by an approved service dealer to qualify for a free second year warranty.
(Excluding the Webb Electric Handheld machines)

12 Months

Date

24 Months

Date

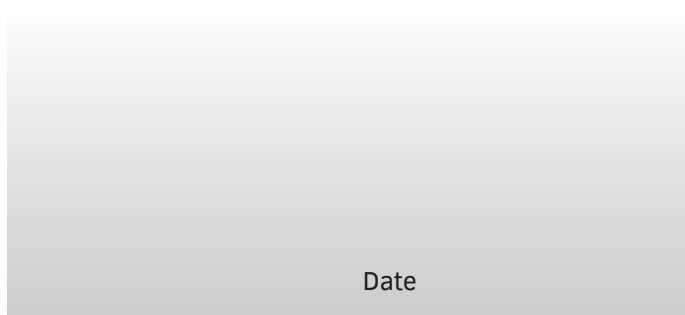
36 Months

Date

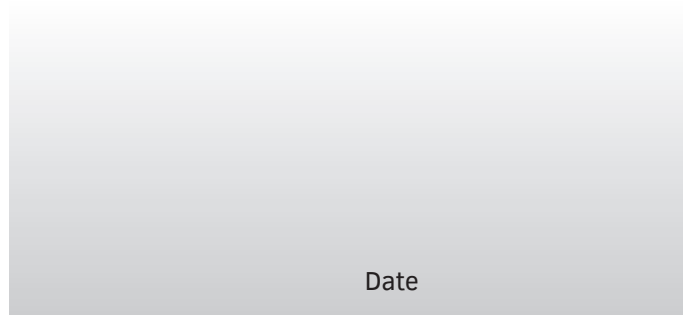


INSTRUCTION MANUAL

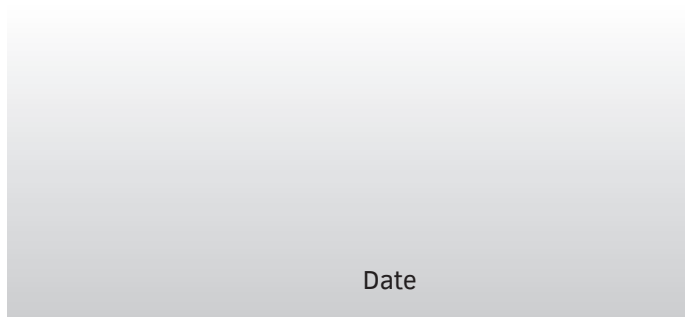
48 Months



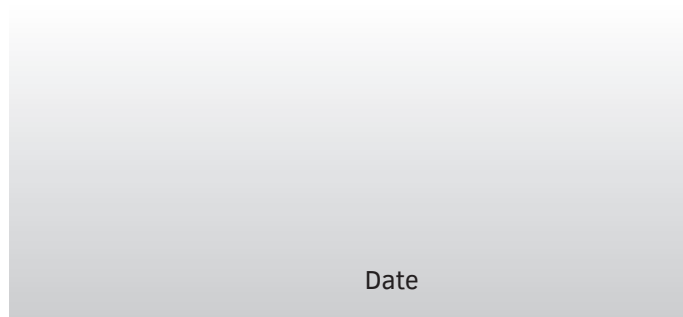
60 Months



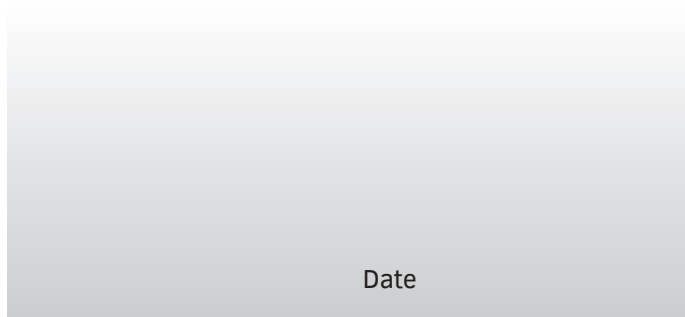
72 Months



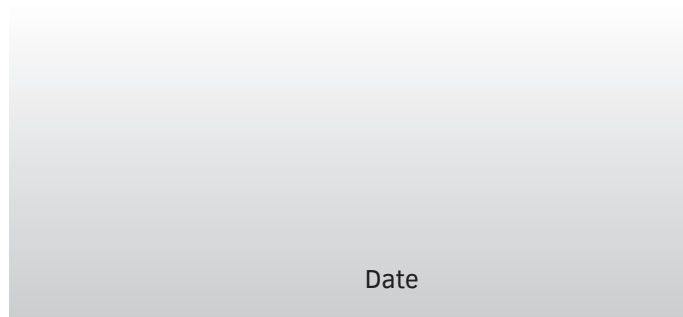
84 Months



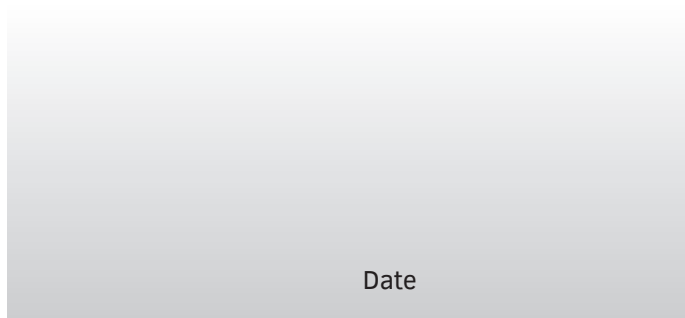
96 Months



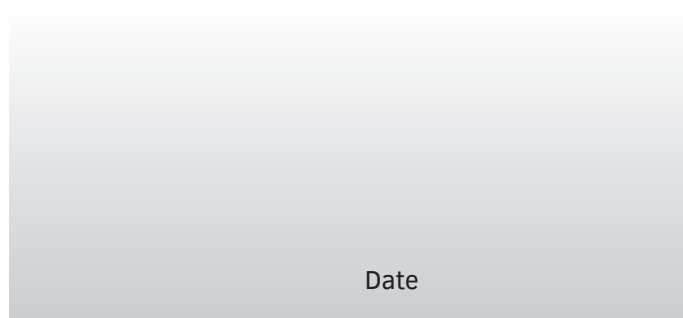
108 Months



120 Months



132 Months



If you have registered online, this form is not necessary.
PLEASE POST THIS COPY TO THE ADDRESS OVERLEAF

Product Information (* Compulsory)

*Model No:	
*Product No:	
*Serial No:	
*Date of Purchase:	

Personal Information (* Compulsory)

*Title		*Forename		*Surname	
*House Number		*House Name			
*Address 1					
*Address 2					
*Town					
*County					
*Postcode					
Home Tel				Mobile Tel	
Email					

Age	18 to 25	26 to 35	36 to 45	46 to 60	61 to 80	81 & over
*Usage	Domestic Use		Commercial/Professional/Hire Use			

*Dealer Stamp (if available)

--

*Selling Retailer (If dealer stamp not available)

*Dealer Name	
*Dealer Address	
*Date of Purchase	

Webb Lawnmowers privacy commitment to machine owners.

The information supplied, helps us to improve the products & services we provide, including information that we believe is relevant to your and/or your machine. We value your trust by giving us this information about yourself and we are committed to protecting your privacy.

Webb, its associated companies, authorised dealers or third parties working on our behalf may wish to contact you regarding **PRODUCT RECALLS** specific to your machine. Please advise how you wish to be contacted for this specific reason only:

Post Telephone Email

From time to time Webb, its associated companies, authorised dealers or third parties working on our behalf may wish to contact you regarding our products, services, offers or just opinions, which may be used for marketing, research or analysis purposes.

If you wish to be contacted by any of the following methods, please tick the relevant boxes:

Post Telephone Email

You may give Webb Lawnmowers notice in writing at any time that you no longer wish to receive direct marketing communications

Webb Lawnmowers
Murdock Road
Dorcan
Swindon
Wiltshire
SN3 5HY