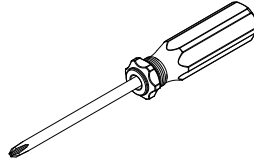
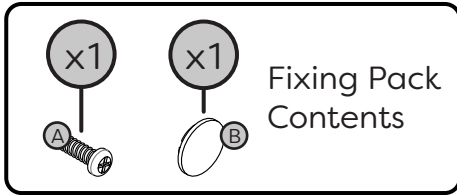


Inclusive Riser Rail Slider

Please follow these fixing and care instructions to ensure that your product is fitted safely and that it retains its high quality finish. Please retain this leaflet for future reference.

Fixing Pack Contents / Tools required



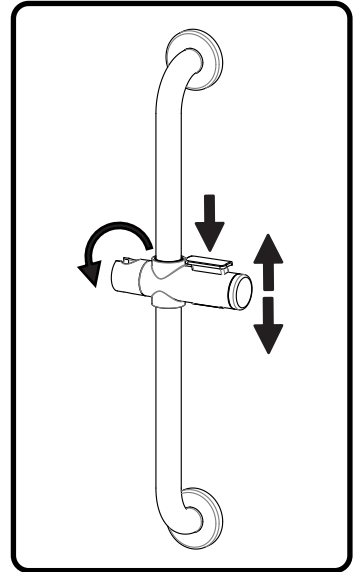
KEEP DIY TOOLS OUT OF THE REACH OF CHILDREN

Product Care

To retain the best quality finish, clean product regularly with a soft damp cloth.

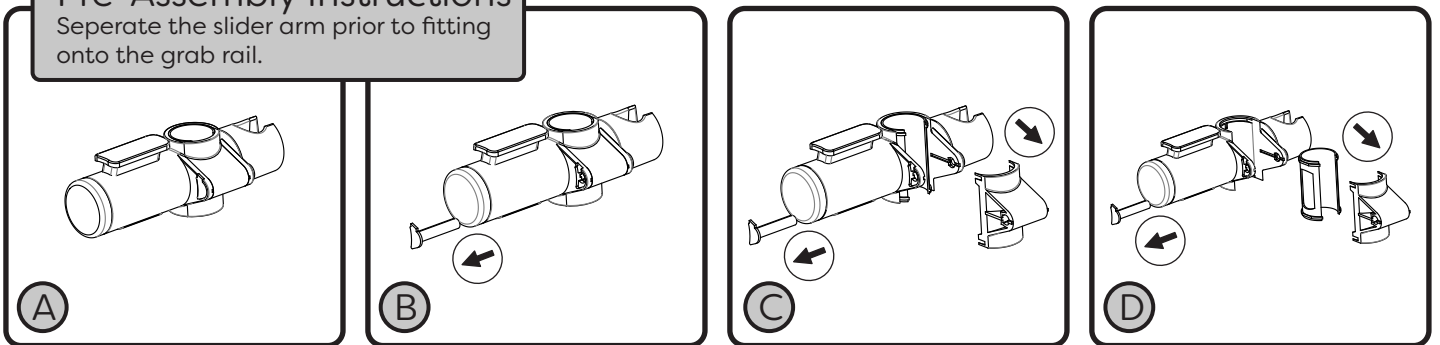
Do not use abrasive or chemical cleaners, as these will damage the product.

Do not strike the product with hard or sharp objects.



Pre-Assembly Instructions

Separate the slider arm prior to fitting onto the grab rail.



Assembly Instructions

