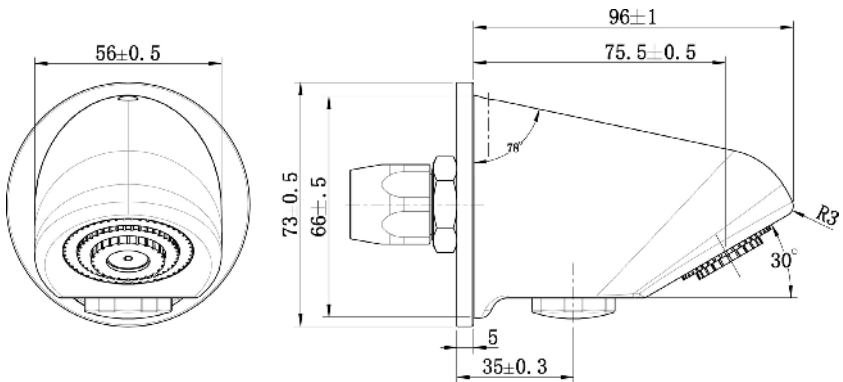
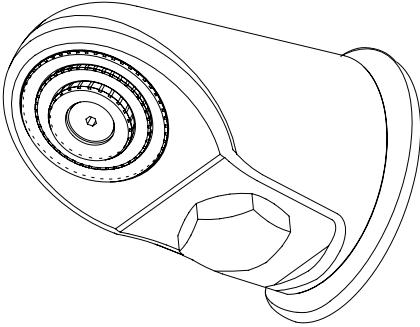


TRITON

Vandal Resistant Showerhead



Installation Instructions

INSTALLERS
PLEASE NOTE THESE INSTRUCTIONS ARE
TO BE LEFT WITH THE USER

2181615A - June 2019

VANDAL RESISTANT SHOWERHEAD

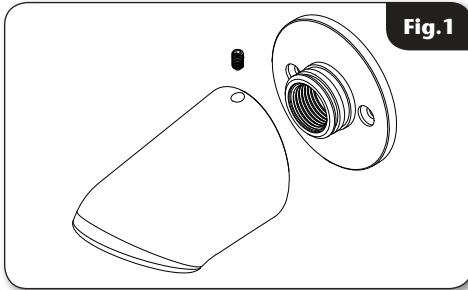


Fig. 1

INTRODUCTION

This vandal resistant showerhead is suitable for use with built-in and exposed shower installations.

EXPOSED INSTALLATION

Using suitable tools remove the mounting plate (**fig.1**) and fit the supplied blanking plug and 'O' ring (**fig.2**) to give a watertight seal.

Having decided on the position of the showerhead, offer the mounting plate to the wall. Make sure the screw holes are horizontal and mark the position for the two retaining screws. Remove the plate then drill and plug the holes.

An appropriate drill bit should be used. If the wall is brick, plasterboard or a soft building block, appropriate wall plugs and screws should be fitted.

Secure the mounting plate to the wall.

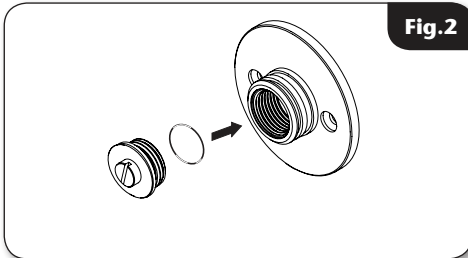


Fig. 2

Screw the 15mm pipe connector and 'O' ring into the base of the showerhead (**fig.3**).

Insert the 15mm pipe into the pipe connector. Temporarily fit the showerhead onto the mounting plate and determine the length of pipe required to connect to the mixer outlet. Remove the pipe, cut to length and make sure to deburr the cut end.

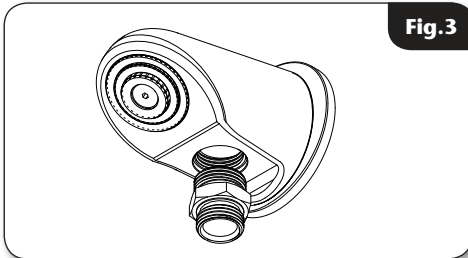


Fig. 3

Slide the locking nut and olive onto the pipework (**fig.4**). Fit the pipe into the 15mm pipe connector and secure by tightening the nut.

Insert the remaining end of the pipe into the mixer outlet and push-fit the showerhead onto the mounting plate. Using suitable tools, secure the showerhead in place by tightening the grub screw in the top of the showerhead.

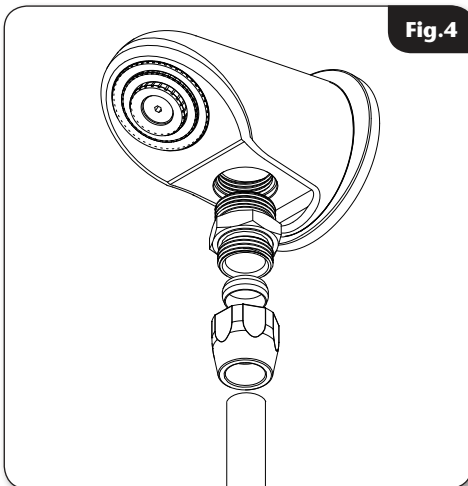


Fig. 4

VANDAL RESISTANT SHOWERHEAD

BUILT-IN INSTALLATION

Using suitable tools remove the mounting plate (**fig.5**) and screw the supplied blanking plug and sealing 'O' ring into the showerhead (**fig.6**) to give a watertight seal.

Having decided on the position of the showerhead, complete the pipework and connect the supplied male thread connector to give a watertight seal (**fig.7**).

Note: The male thread connector supplied has a shoulder, make an additional allowance for this shoulder at the finished surface (**fig.8**).

Make good the wall and use a suitable sealant around the incoming pipework to prevent water entering the wall cavity.

Screw the mounting plate to the threaded connector, make sure the screw holes are horizontal and mark the position for the two retaining screws. Remove the plate then drill and plug the holes.

An appropriate drill bit should be used. If the wall is brick, plasterboard or a soft building block, appropriate wall plugs and screws should be fitted.

Fit the mounting plate to the wall.

Push-fit the showerhead onto the mounting plate and secure in place by tightening the grub screw

Fig.5

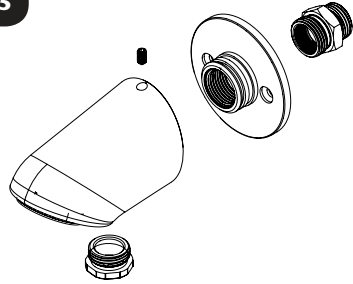


Fig.6

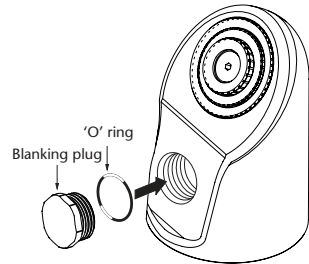


Fig.7

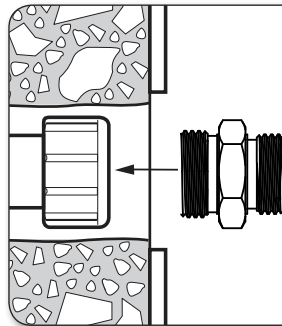
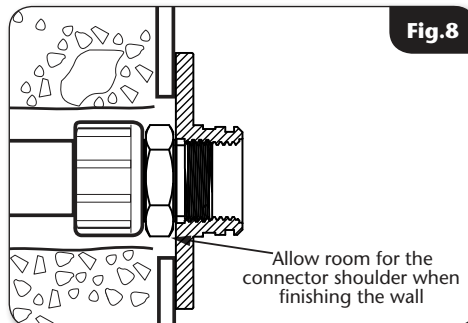


Fig.8



Triton Showers
Triton Road
Nuneaton
Warwickshire CV11 4NR

Triton is a division of Norcross Group (Holdings) Limited

Customer Service: 024 7637 2222
Trade Installer Hotline: 024 7637 8344
www.tritonshowers.co.uk

E-mail: serviceenquiries@tritonshowers.co.uk
technical@tritonshowers.co.uk

For product guarantee information please go to www.tritonshowers.co.uk/help-and-support

TRITON reserve the right to change product specification without prior notice. E&OE. © TRITON SHOWERS 2019