

1016WH	1.1kW Automatic Compact Hand Dryer - White
1016SL	1.1kW Automatic Compact Hand Dryer - Silver

Compact HEPA Automatic Hand Dryer

Features

- Low energy, automatic hand dryer suitable for commercial applications such as offices, restaurants and schools
- Includes a standby / Power-On LED indicator and changeable heat settings to suit environment
- 10 to 15 seconds drying time with automatic shut-off when not in use
- Durable polycarbonate housing
- Self-resetting overheat thermostat provides protection from overheating if hand dryer becomes blocked

Safety Instructions

1. These instructions should be read carefully and retained after installation for future reference and maintenance.
2. Ensure that the mains power is switched off before carrying out installation or maintenance.
3. Installation must be carried out in accordance with the current edition of IET wiring regulations BS 7671, and by a qualified electrician.
4. The hand dryer should be supplied from a switched fused spur. This Hand Dryer is electrical class 1 construction and must be earthed.
5. Ensure all electrical connections are secure and that there are no loose strands.
6. Do not install above washbasins or immediately adjacent to urinals, lavatories, baths and showers.
7. When in use, the hand dryers will accumulate dust. Cleaning and maintenance must be carried out regularly.
8. The unit is intended for drying hands only. Long hair should be kept away from air inlet vents.

Environmental Instructions

This product may contain substances that can be hazardous to the environment if not disposed of properly. Electrical and electronic equipment should never be disposed of with general waste but must be separated for its correct treatment and recovery. Where possible recycle your packaging.

Installation Instructions

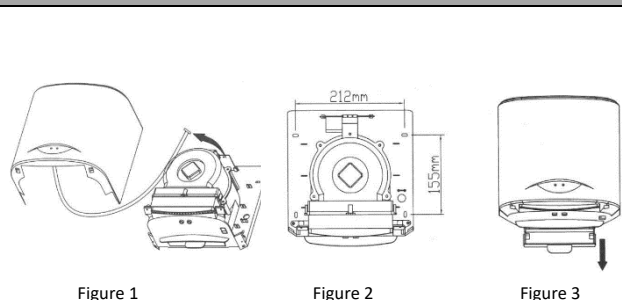


Figure 1

Figure 2

Figure 3

1. Remove the front cover by removing the securing screws at the base of the hand dryer, and releasing the retaining clips at the top of the hand dryer
2. Release the plug of the sensor lead at the circuit board, see Fig 1
3. Using the base as a template, mark out the fixing holes on the mounting surface. See Fig 2
4. Feed the supply cable through the hole in the base and terminate the conductors into the terminal block ensuring the correct polarity is observed
5. Secure the supply cable in the cord grips provided
6. Secure the base to the mounting surface using the wall plugs and screws supplied
7. Reconnect the sensor lead to the circuit board
8. Offers the cover back to the base and secure in position

Cleaning the Filter

1. Ensure the power supply is switched off
2. Remove the filter housing from the base. See Fig 3
3. Take out the filter and shake out any dust or particles in the filter
4. Return the filter to the housing and return the housing to the hand dryer
5. Note: Do not wash the filter with water.

Operation

The hand dryer is automatically activated when hands are placed under the air outlet. Once the hands are removed, the hand dryer automatically switches off within 2 seconds. If the hand dryer is running continuously, it will switch off after 60 seconds to conserve energy. To reactivate the hand dryer, move the hands away from the air outlet and place back.

Specification

Voltage rating		230V - 50Hz	Air Speed	90m/s
Total load rating		1100W	Noise Level	65dB
Rated Power	Heater Element	350W	IP Rating	IPX1
	Motor	650W	Effective Airflow	170m ³ /h
Guarantee		1 Year	Dimensions	265x250x180mm

* It is recommended that the HEPA filter is replaced every 6 months