

INSTALLATION

NEED x1
PER PANEL

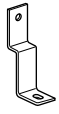
FP1

FP2

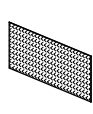
FP3

FP

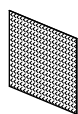
Fixing Pack
(Sold and
supplied
separately)



x 4



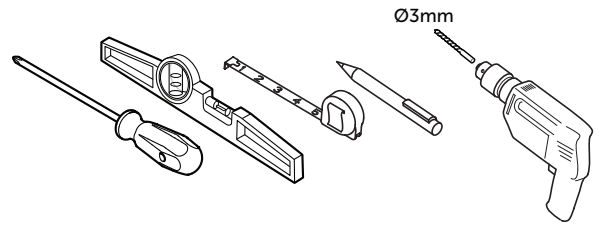
x 4



x 4

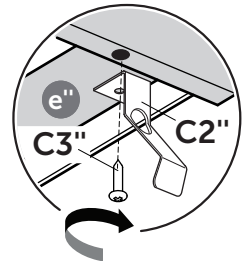
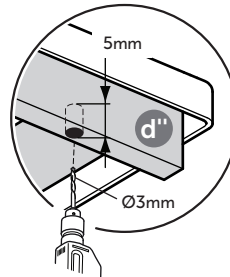
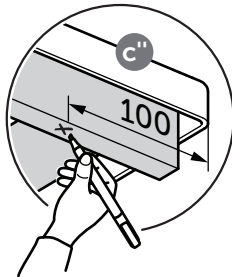
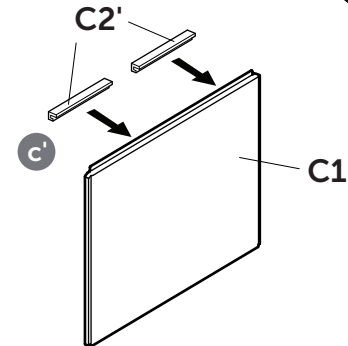
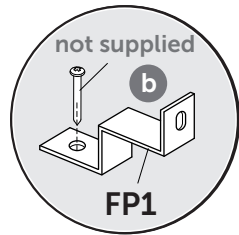
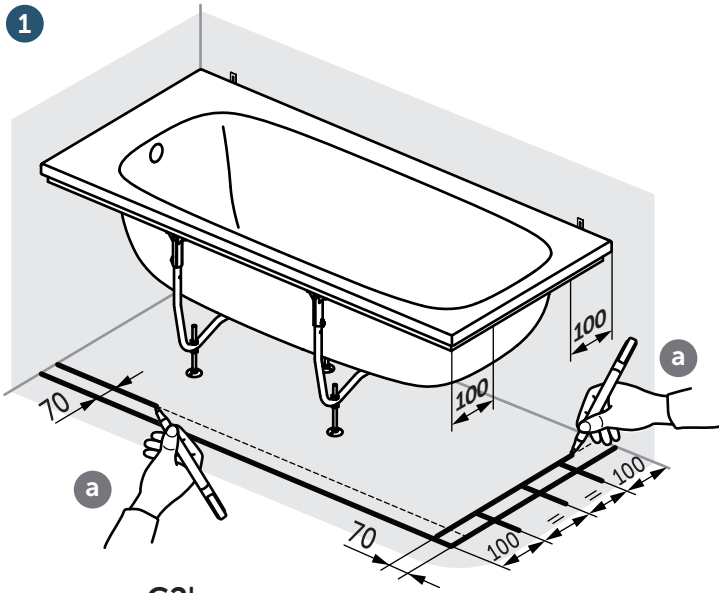


Alcohol Wipes

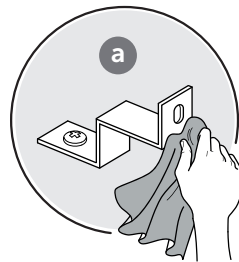
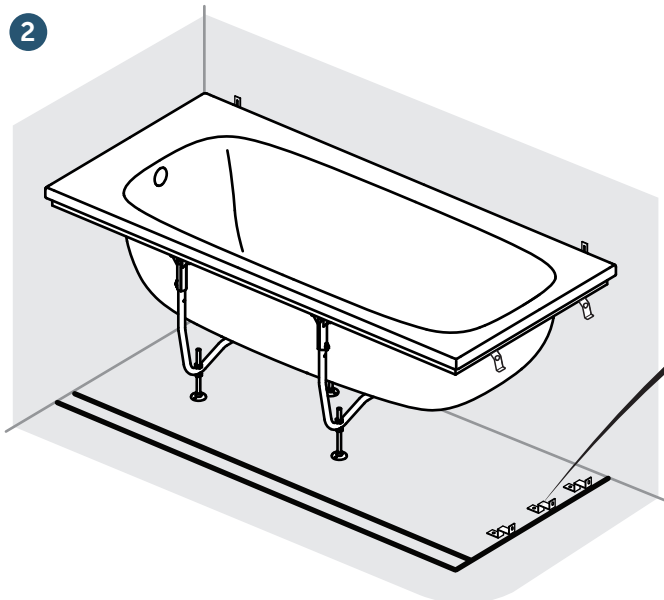


Ø3mm

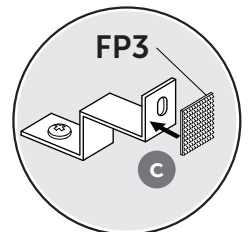
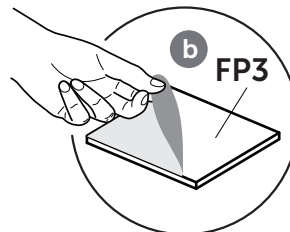
1

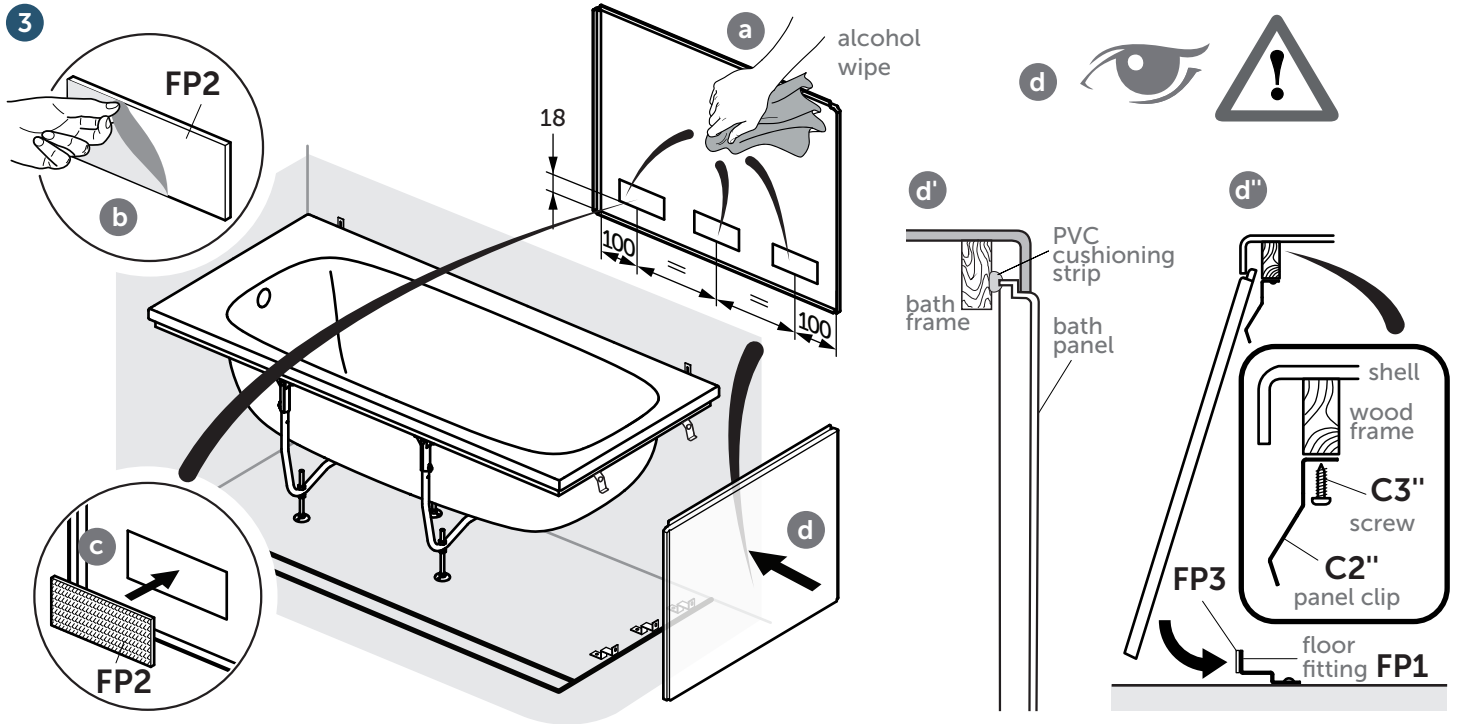


2

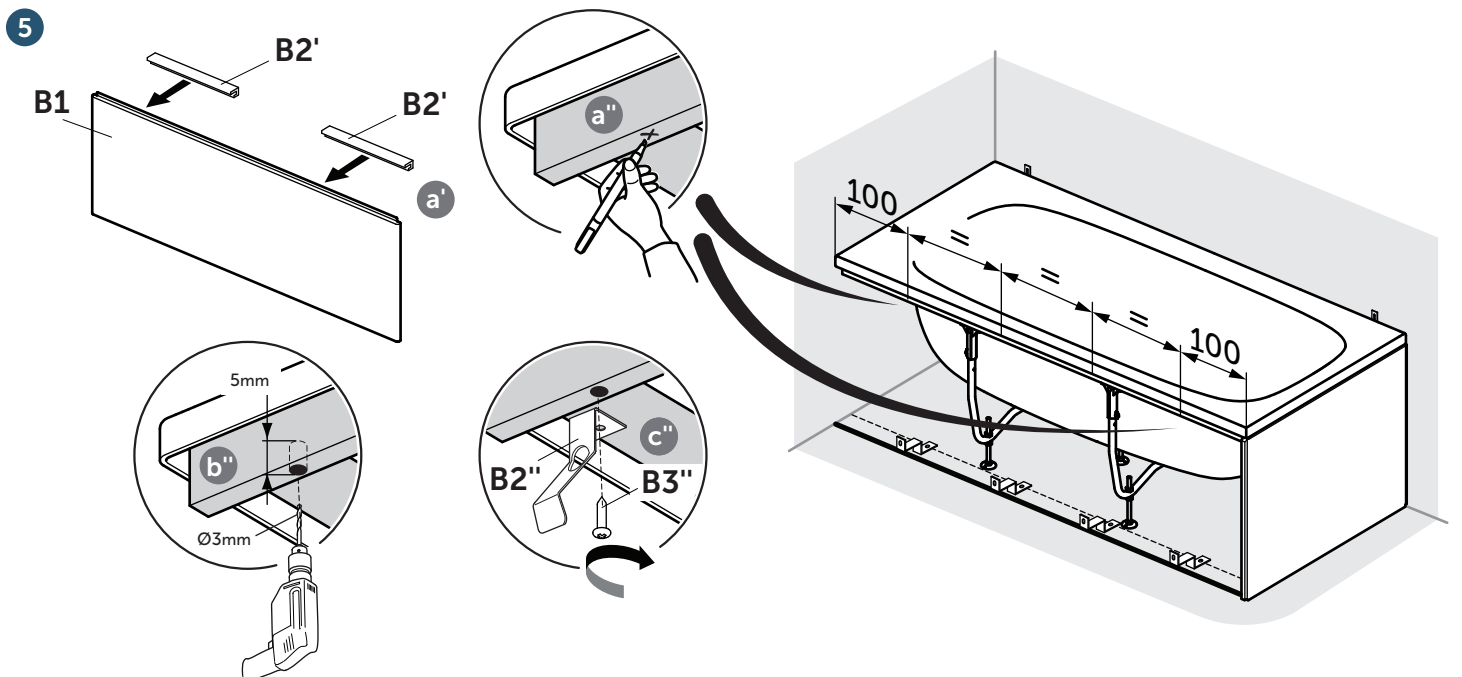
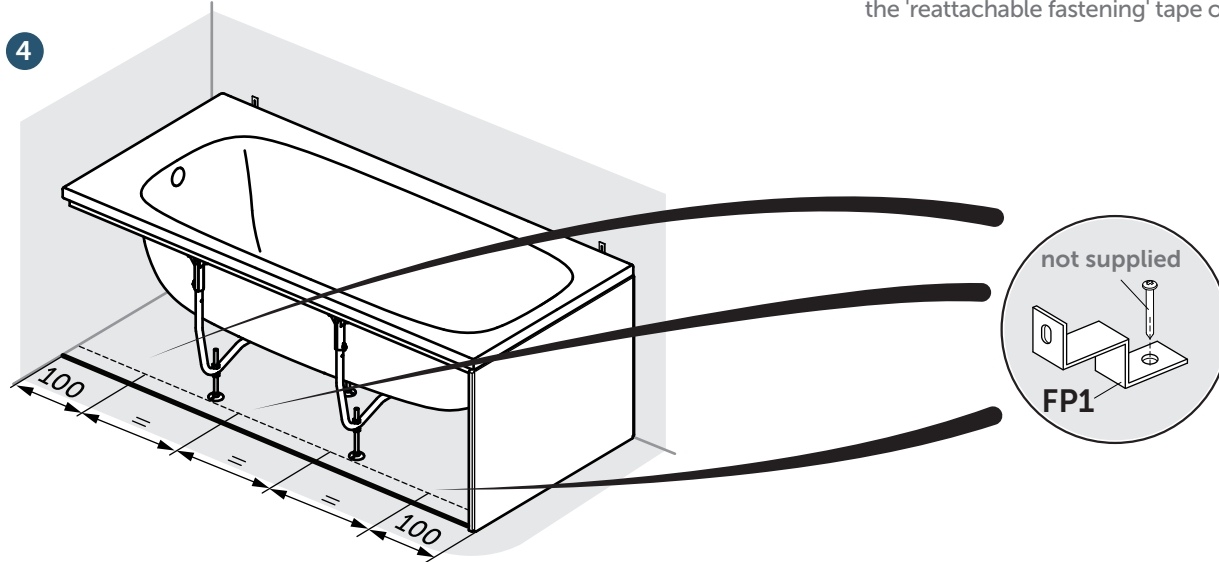


alcohol
wipe

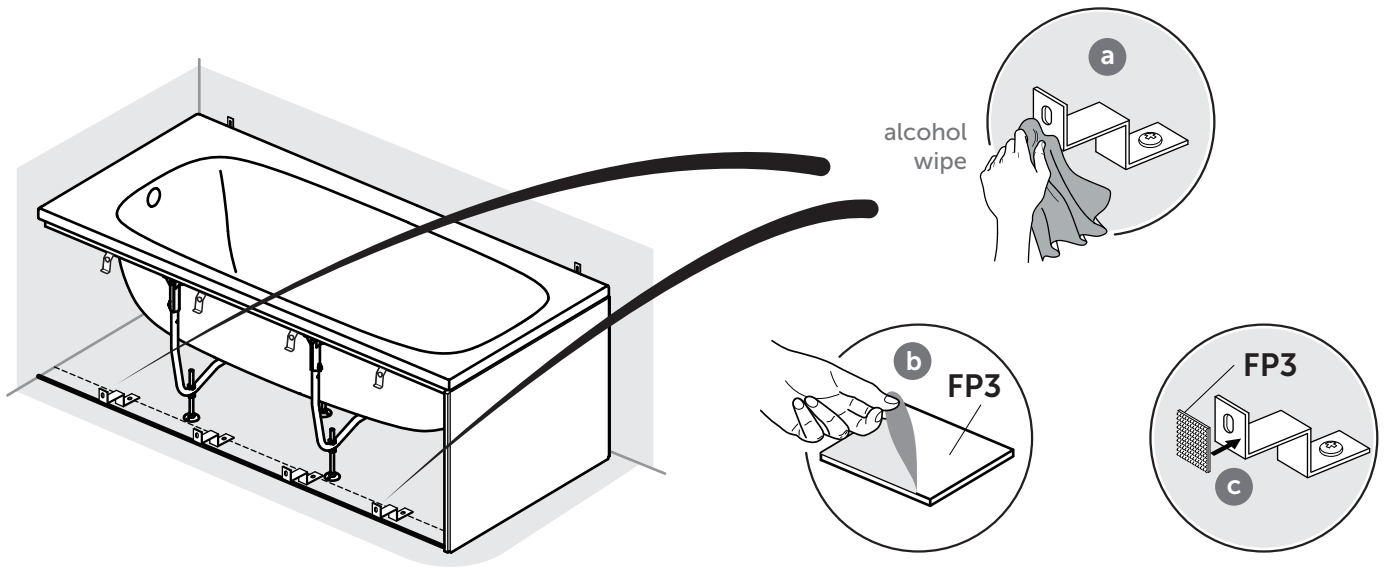




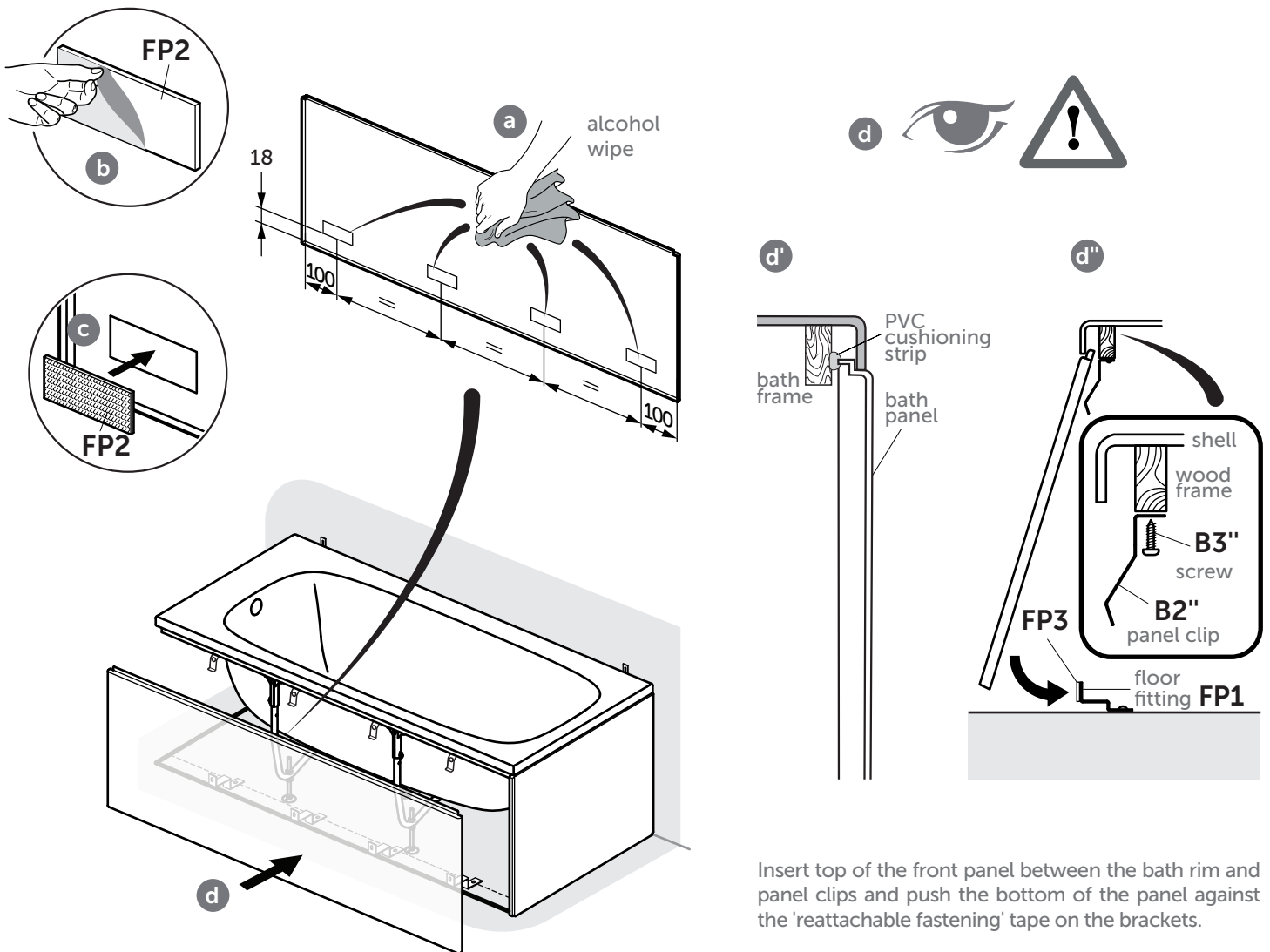
Insert top of the end panel between the bath rim and panel clips and push the bottom of the panel against the 'reattachable fastening' tape on the brackets.



6



7



Insert top of the front panel between the bath rim and panel clips and push the bottom of the panel against the 'reattachible fastening' tape on the brackets.

CUSTOMER CARE HELPLINE

01482 496318

FAX LINE 01482 499611

email: customercare@idealstandard.com

We pursue a policy of continuing improvement in design and performance of our products. The right is, therefore, reserved to vary specifications without notice.