



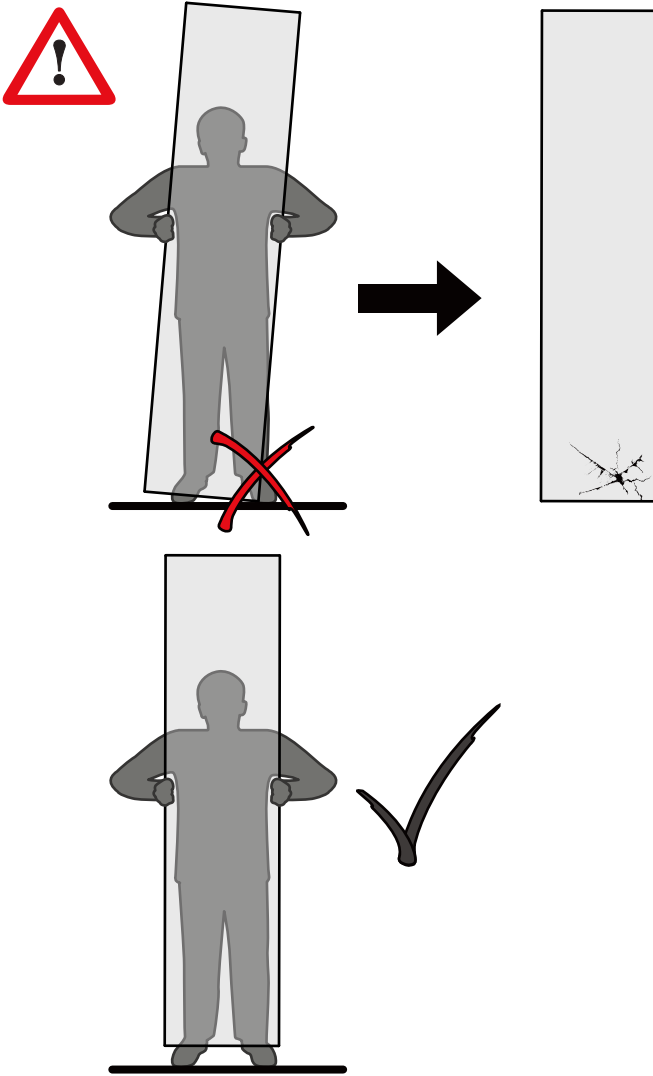
Ideal Standard

# **I-LIFE 1 DOOR SLIDER 1000-1200**

*UK version*

MANUAL FOR USE, INSTALLATION and MAINTENANCE

**UK** - AVOID IMPACT WITH THE CORNERS OF THE GLASS THIS MAY CAUSE IMMEDIATE OR DELAYED SHATTERING



### Notes on this manual

Partial or total reproduction or copying of this manual without the permission of the manufacturer is prohibited. The contents of this manual are subject to change with no advance notice. Every effort has been made in preparing this manual to ensure the accuracy of its contents. However, if you have any questions or discover any errors, please contact the manufacturer. The manufacturer shall not be held liable for consequences arising from use of the product. The drawings and diagrams contained in the manual are to be considered approximate and are provided only for information



## SALES RULES AND REGULATIONS



The manufacture recommends carefully reading this booklet

- The manual is provided together with the product and must be kept for future consultation during the entire life of the product and must be transferred to any product owner or installer.
- The product must be installed without many any modifications, under penalty of warranty cancellation. The assembly procedures, tools and materials that are indicated must be respected.
- The product was designed and built for installation on a masonry wall; if installed on another type of wall (ex. plasterboard, wood, etc.), the installer is responsible for providing reinforcement to ensure the secure installation of the product.
- For silicon sealing, use acetic silicon.



When installation is complete, remove all packaging items and installation waste according to the current regulations of the country of product use.



## ROUTINE MAINTENANCE OF SHOWER ENCLOSURE AND VISIBLE PARTS

Lime scale and aggressive detergents may make the surface of the shower enclosure opaque over time.

The Manufacturer suggests the following:

Never use powder detergents. Liquid detergents may be used if they are free of alcoholic substances.

Never use products such as ammonia, acetone, alcohol and the like because they may permanently damage the shower enclosure.

After use, your shower should be cleaned with soap and water. This is particularly important in hard water districts where insoluble lime salts may be deposited and allowed to build up.

Cleaners of a gritty or abrasive nature should not be used. Care should be taken to avoid contact with strong chemicals such as organic solvents and strippers.

Glass cleaners can be used but with caution, if in doubt, contact the manufacturer of the cleaner in question.

Please keep these instructions for aftercare and customer service details.

### GUIDE TO INSTRUCTIONS

**1**

Installation PHASE

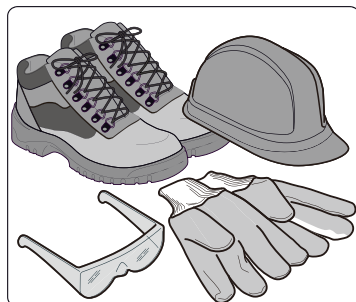
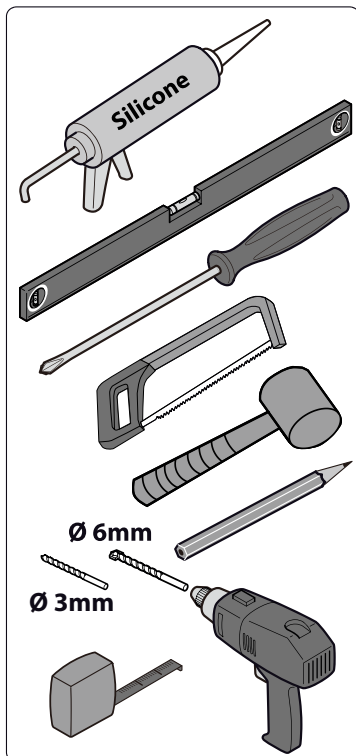
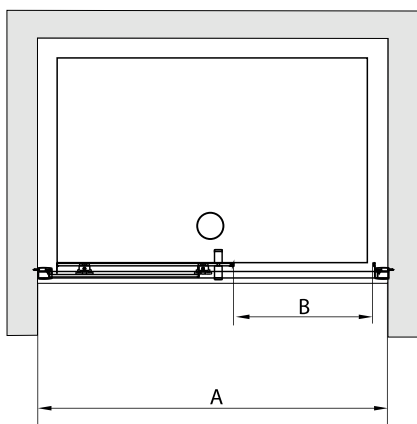
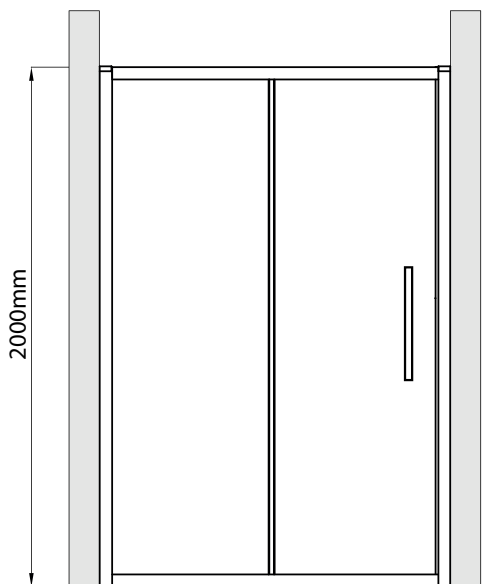
**1**

**2**

sequence of the OPERATIONS to be performed during a PHASE

**PR2**

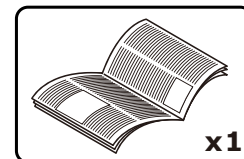
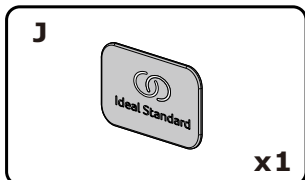
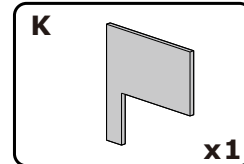
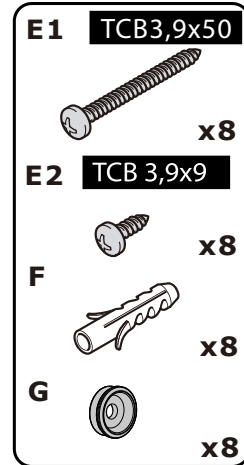
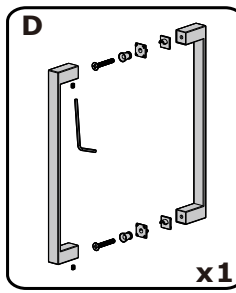
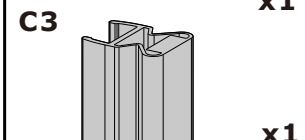
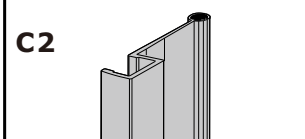
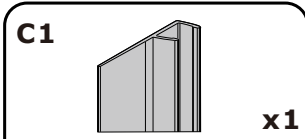
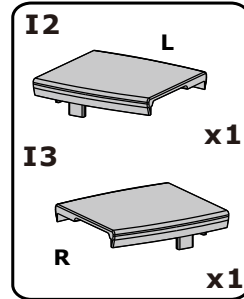
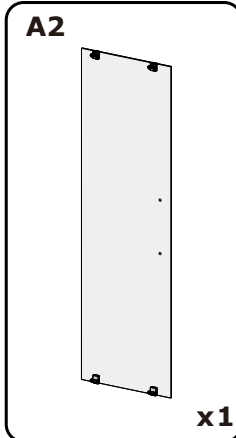
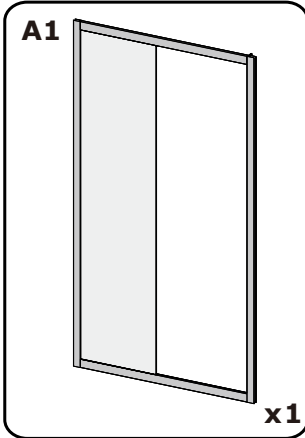
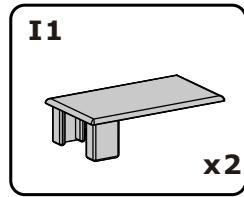
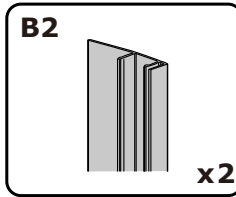
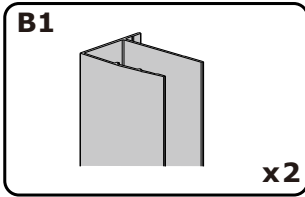
component identification



	A(mm)	B(mm)
SLIDER 1000	950-1000	370
SLIDER 1100	1050-1100	420
SLIDER 1200	1150-1200	470



Components

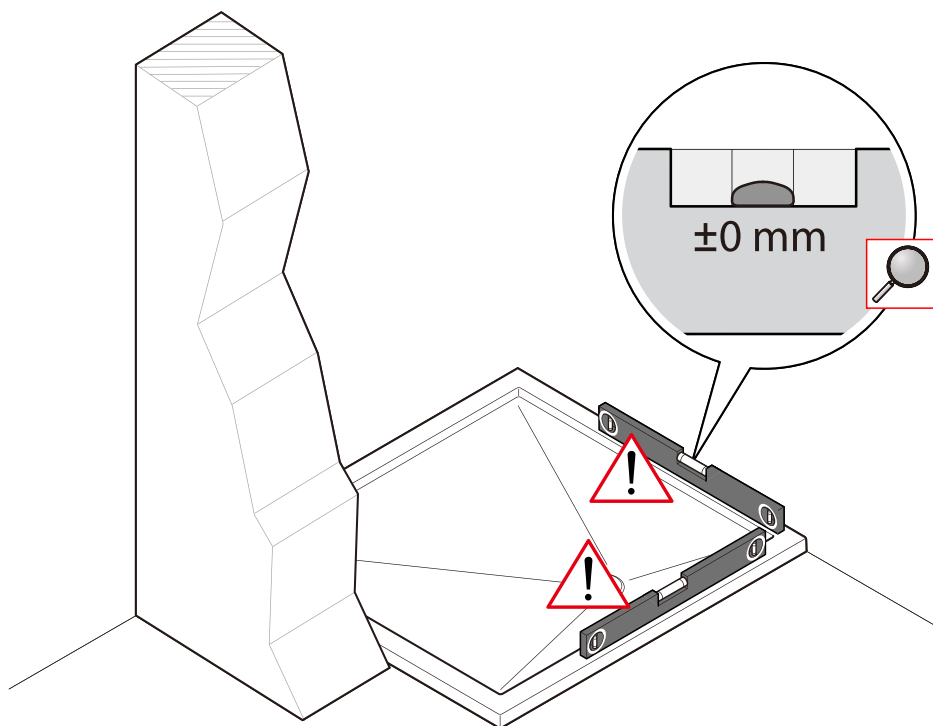


1



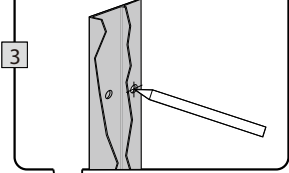
**ATTENTION!**

- Ensure tray is level and firm
- Tray **MUST** be sealed before enclosure installation begins
- It is recommended that shower enclosures are fitted onto a tiled wall surface.
- Wall fixing supplied are for solid wall construction
- Substitute suitable fixing as appropriate
- Door is not handed

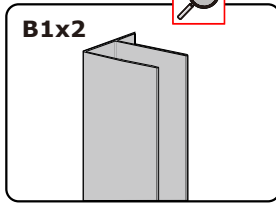


FIXED PANEL SIDE

USE OUTER HOLES

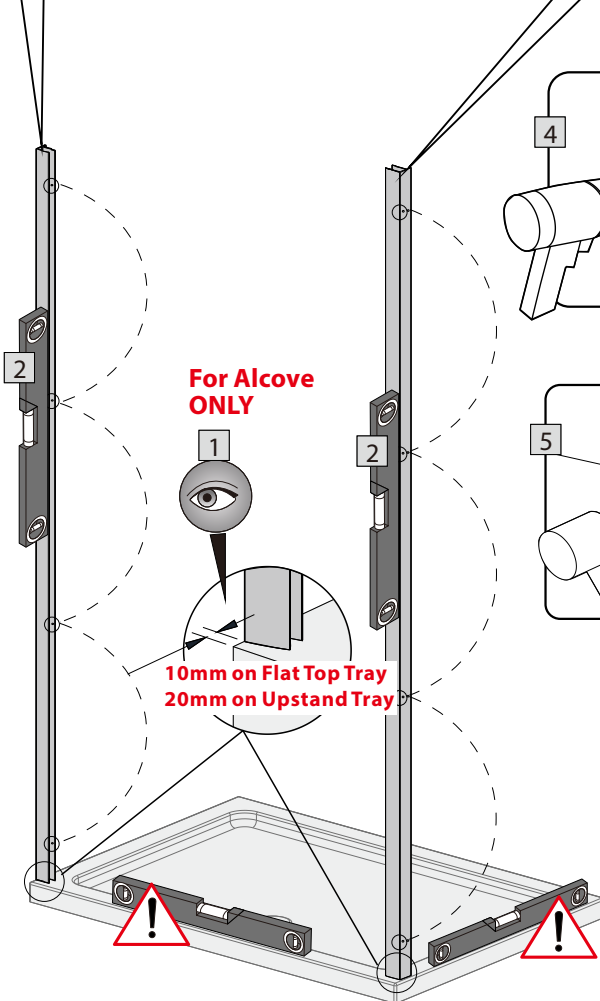
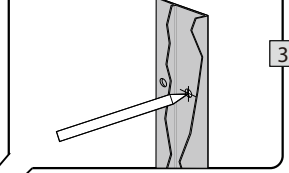


B1x2



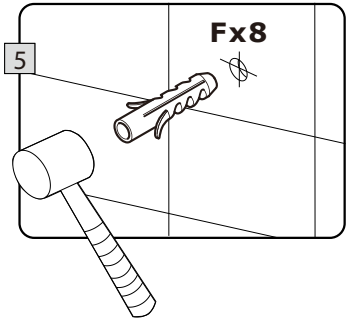
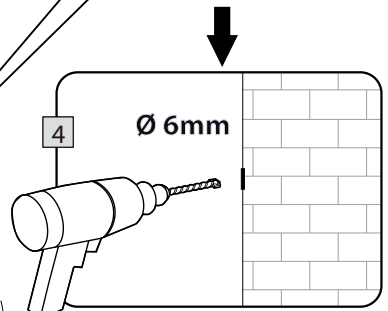
DOOR SIDE

USE INNER HOLES



**For Alcove ONLY**

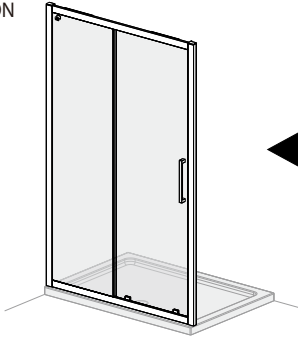
**10mm on Flat Top Tray  
20mm on Upstand Tray**



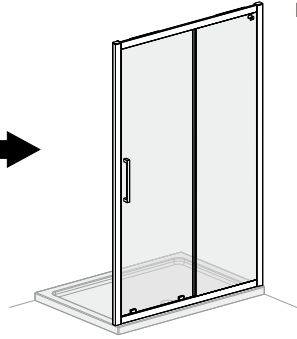
# 3

**NOTE: KEEP THE SOFT-CLOSE MACHANISM ALWAYS IN THE TOP RAIL**

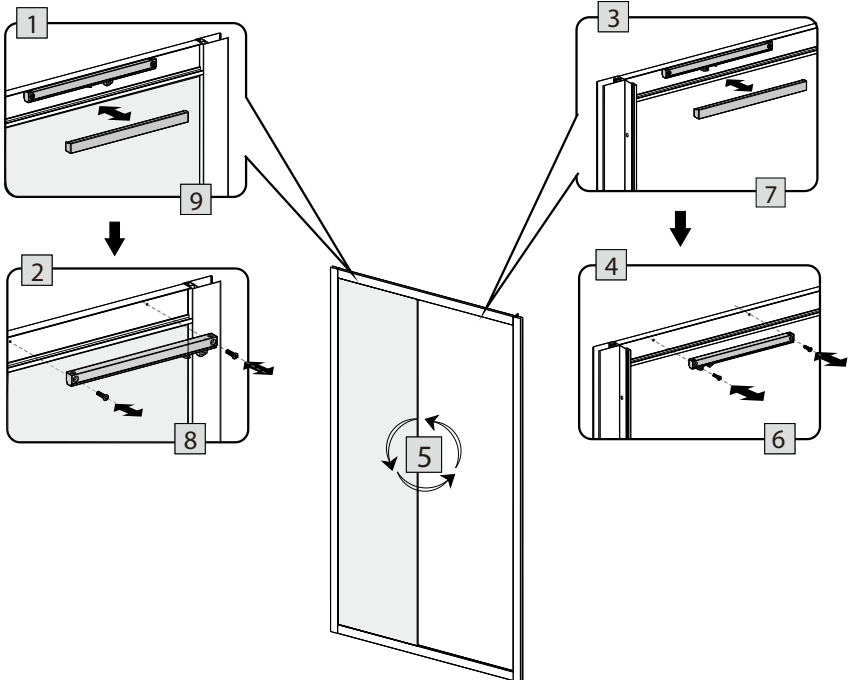
LH INSTALLATION



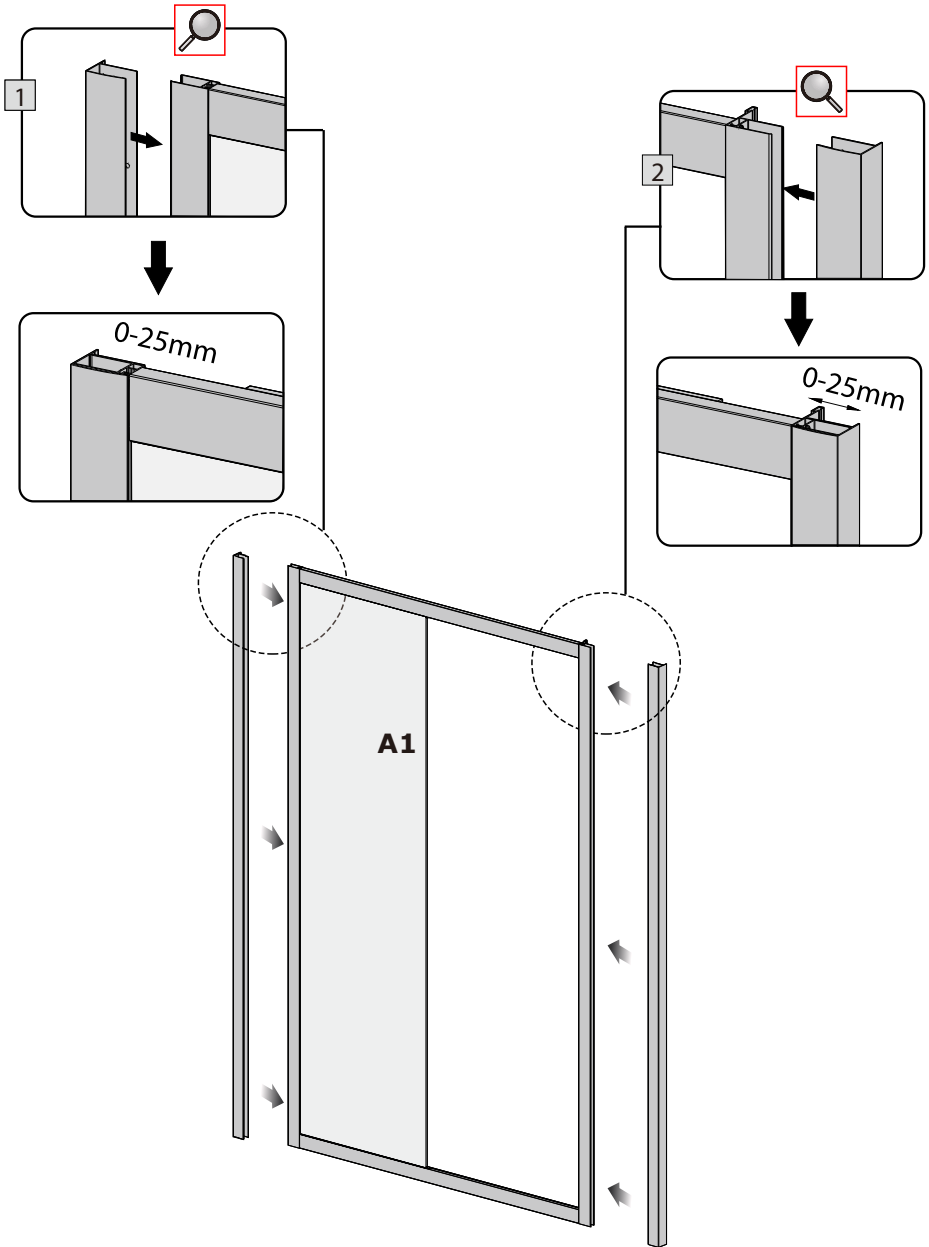
RH INSTALLATION



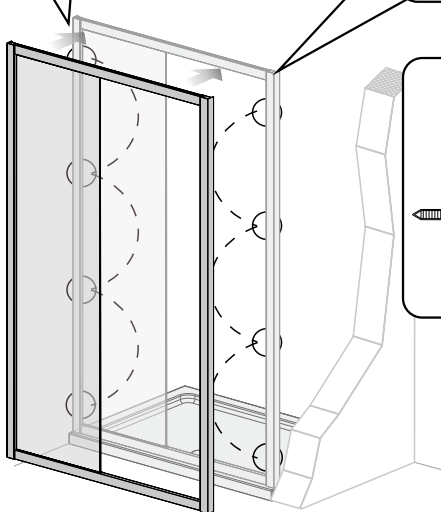
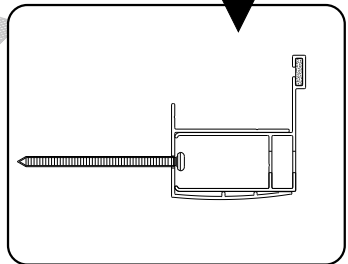
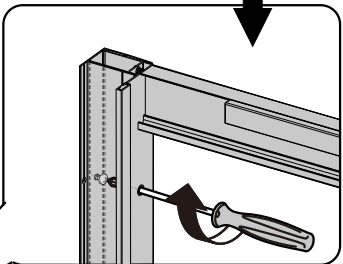
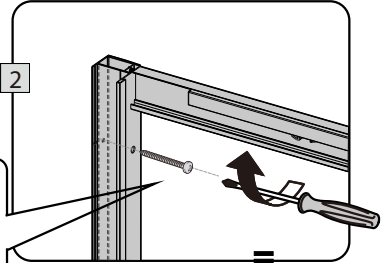
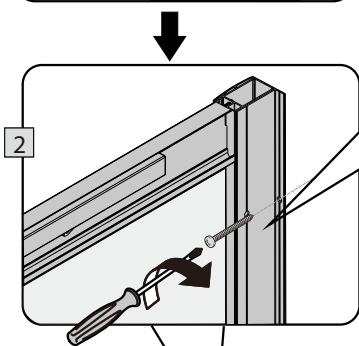
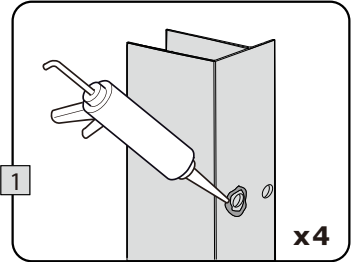
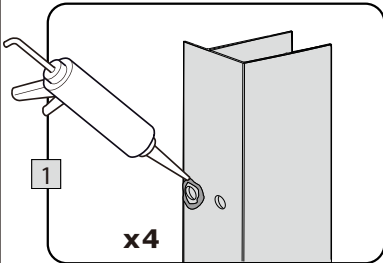
- 1-4 Removal of soft-close machanism**
- 5 Rotate frame around**
- 6-9 Reattaching soft-close machanism**

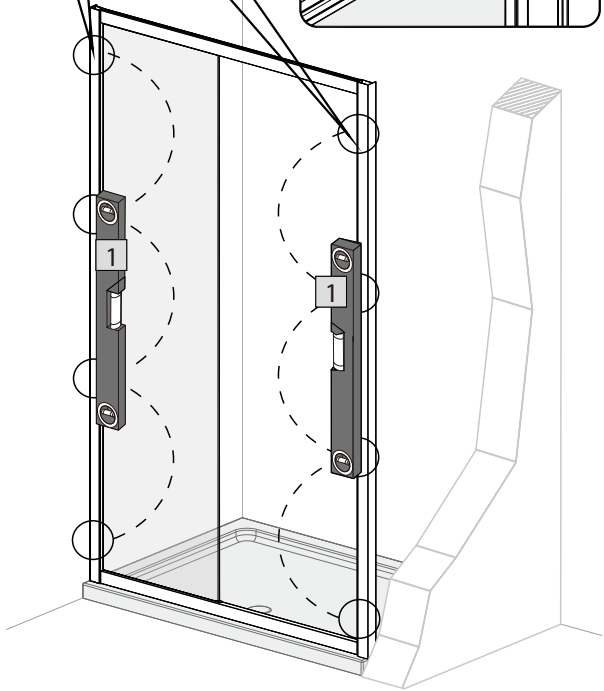
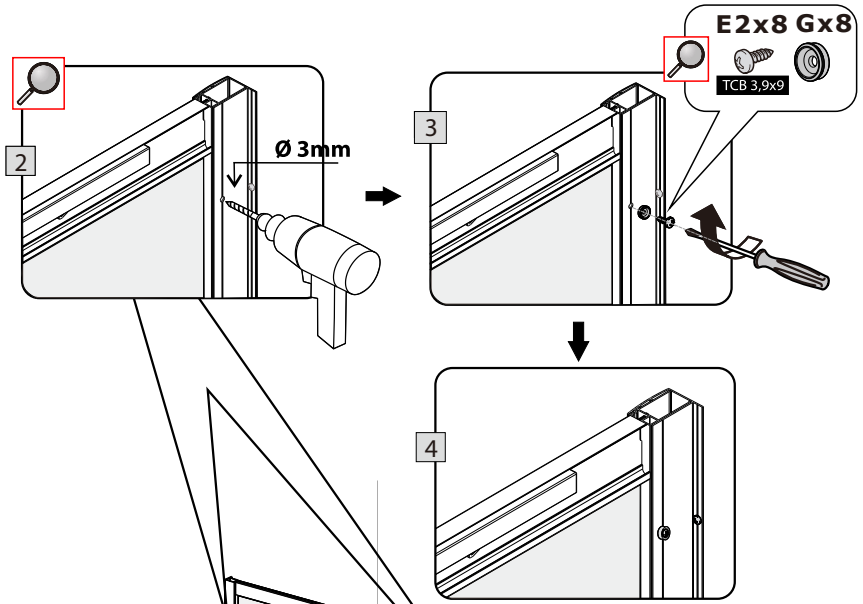




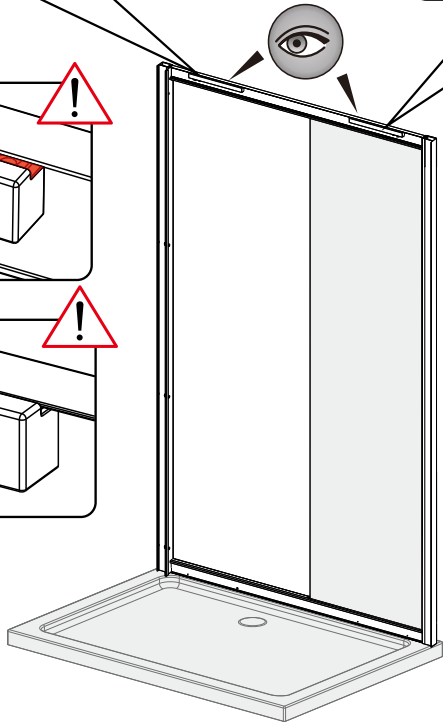
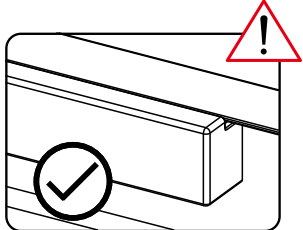
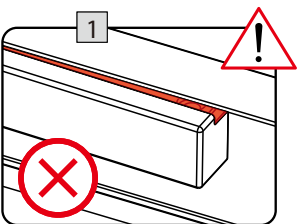
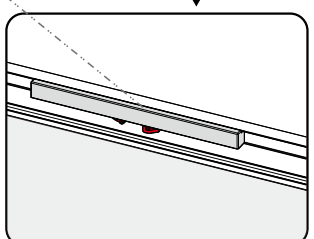
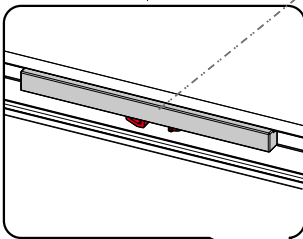
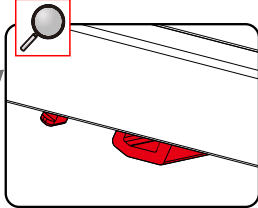
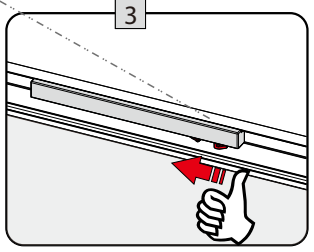
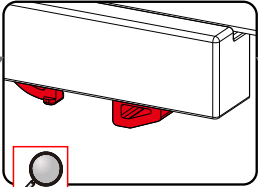
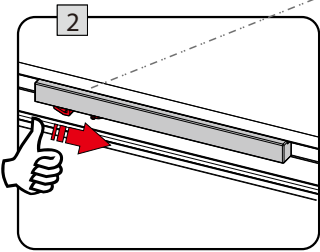


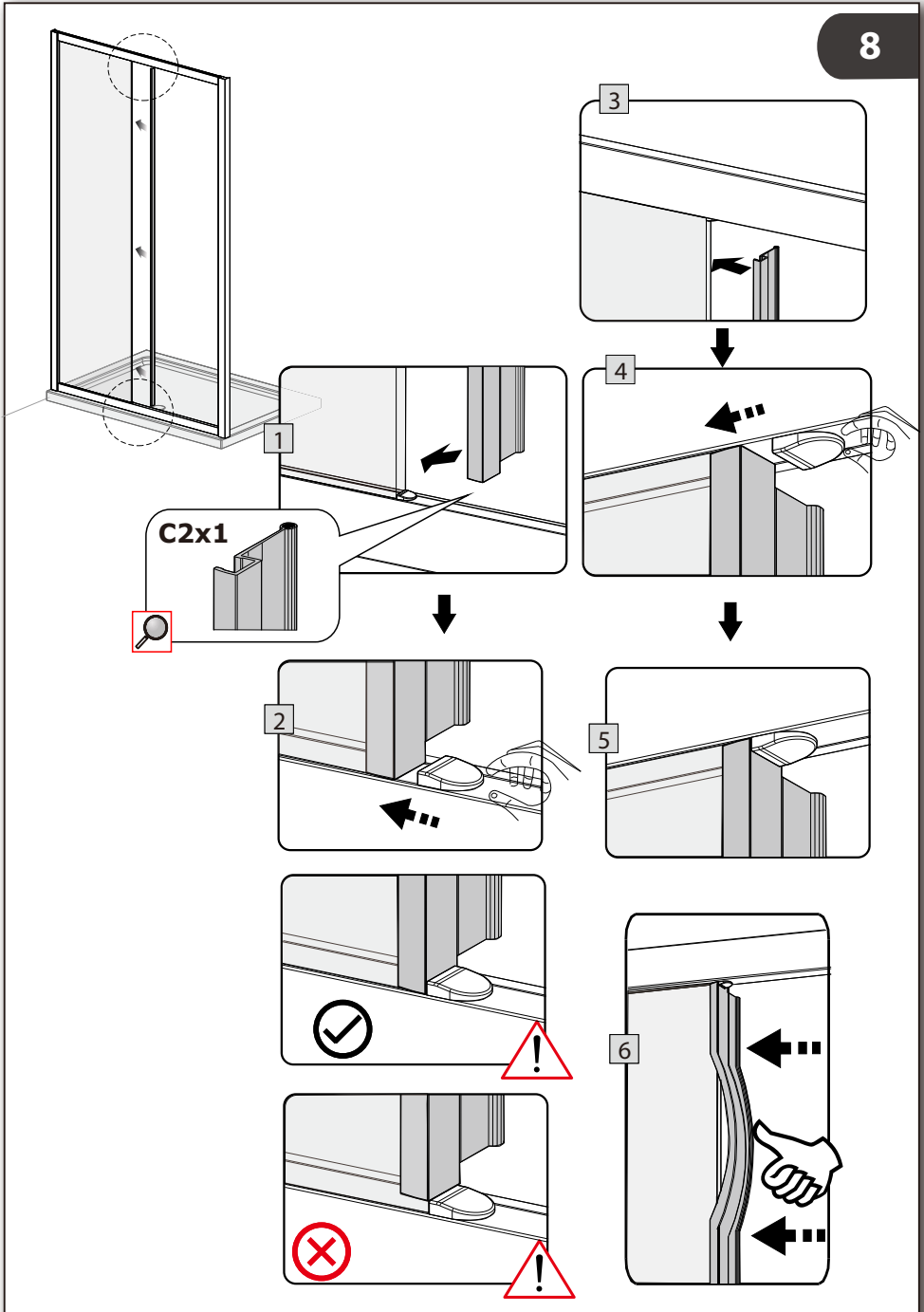
5





7



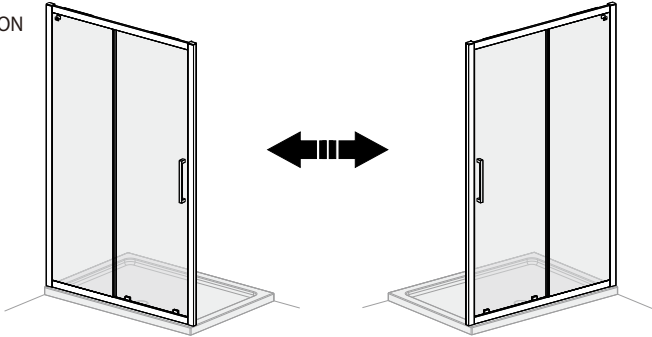


9

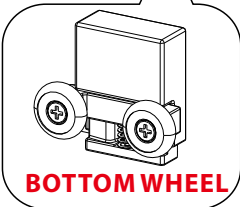
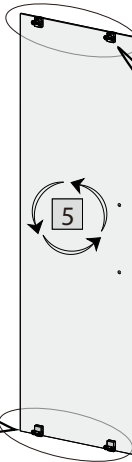
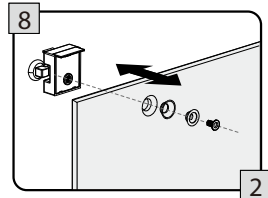
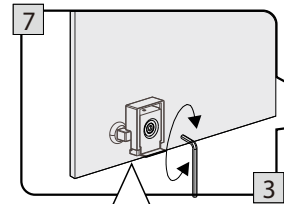
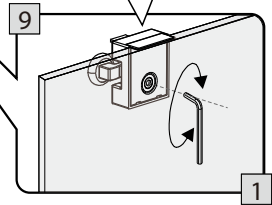
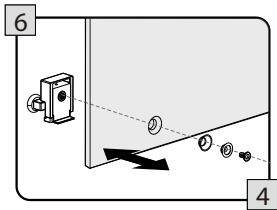
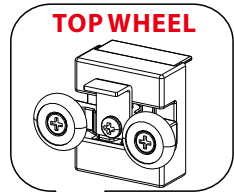
**NOTE:SIDE OF DOOR WITH GLASS COATING STICKER  
NEEDS TO REMAIN ON THE INSIDE OF THE ENCLOSURE**

LH INSTALLATION

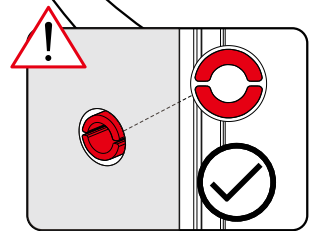
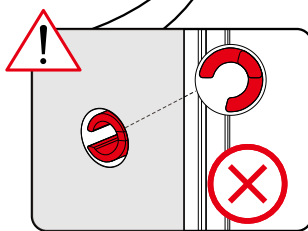
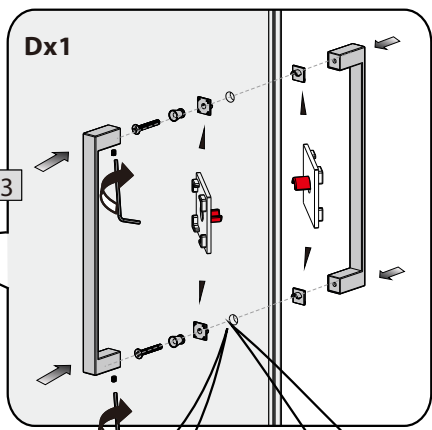
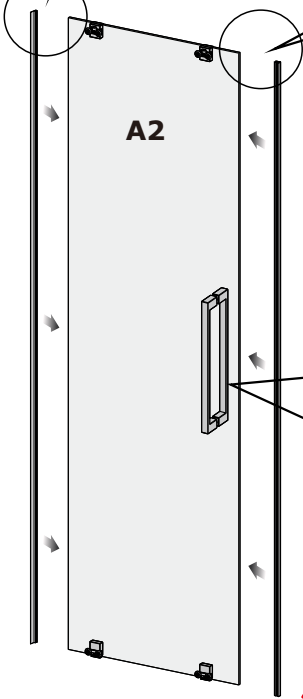
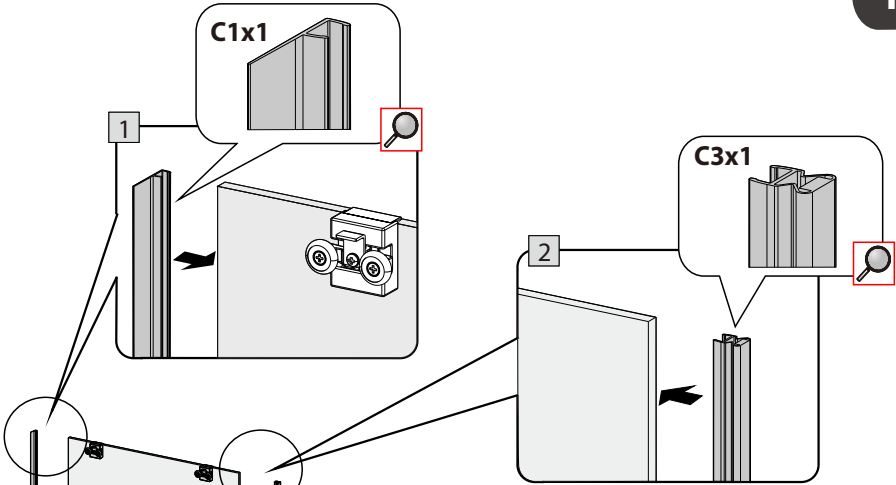
RH INSTALLATION



- 1-4 Removal of Wheels
- 5 Rotate door around
- 6-9 Reattaching Wheels

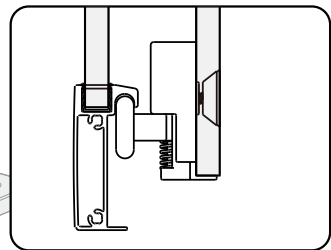
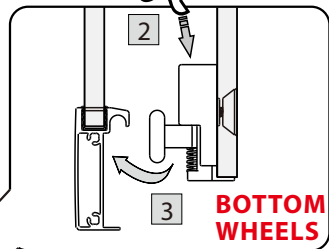
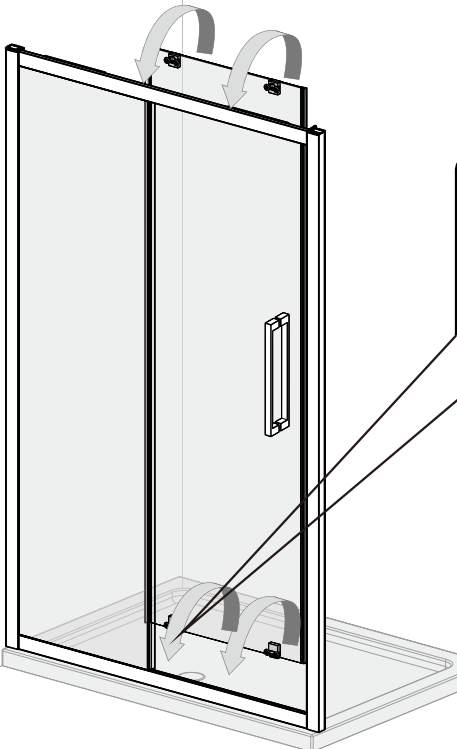
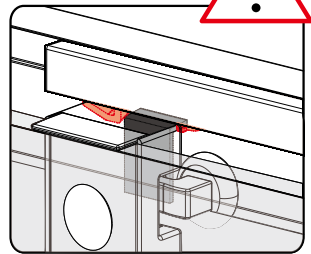
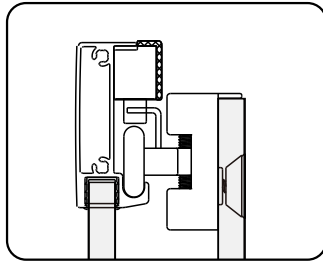
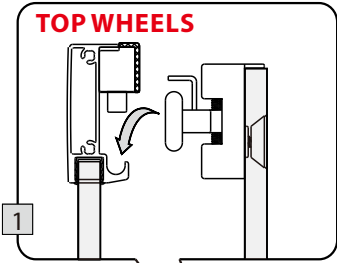


**BOTTOM WHEEL**

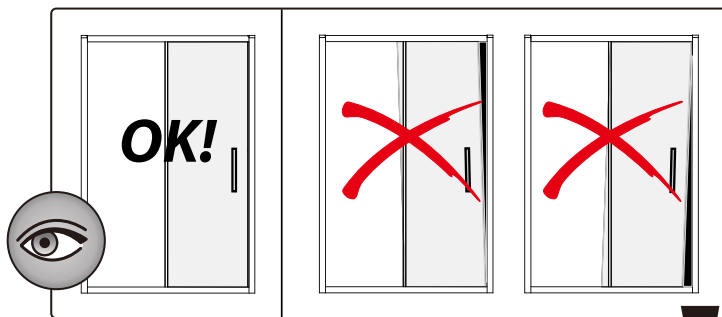


11

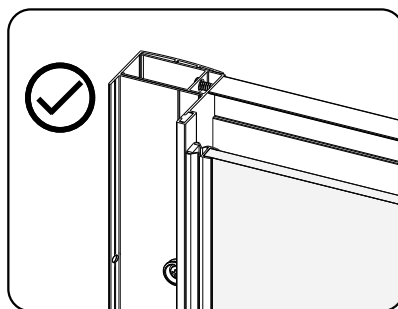
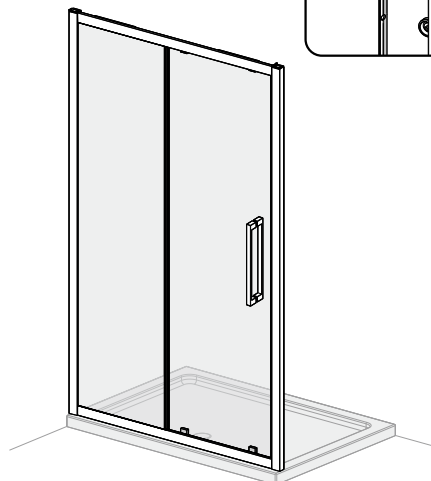
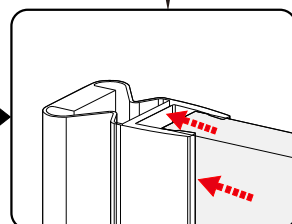
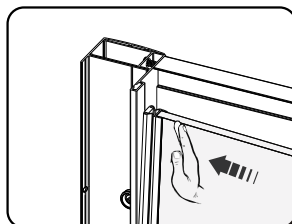
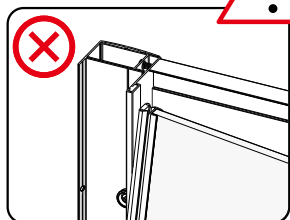
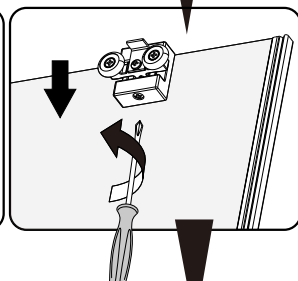
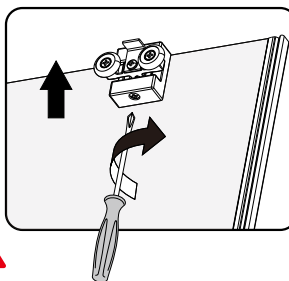
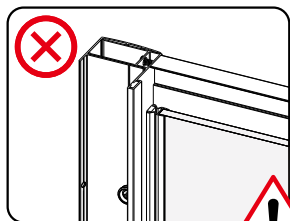
**TOP WHEELS**



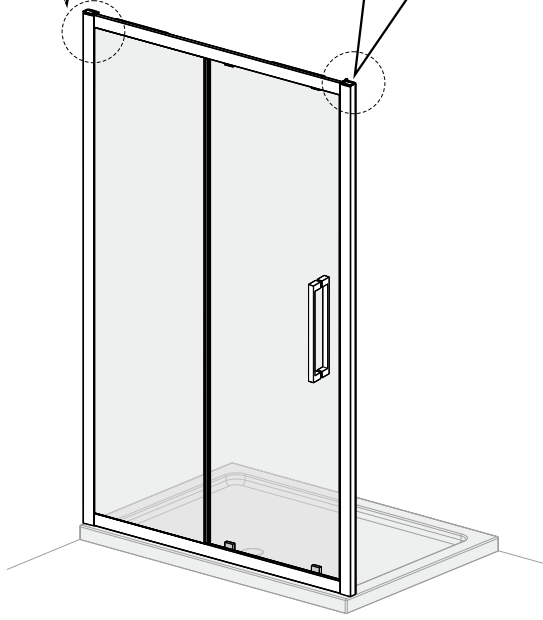
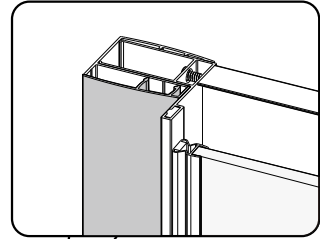
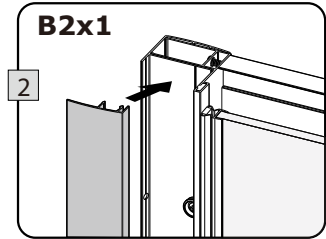
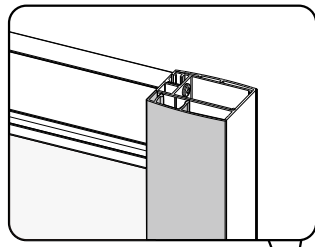
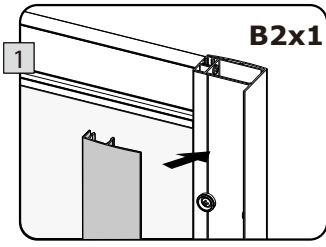


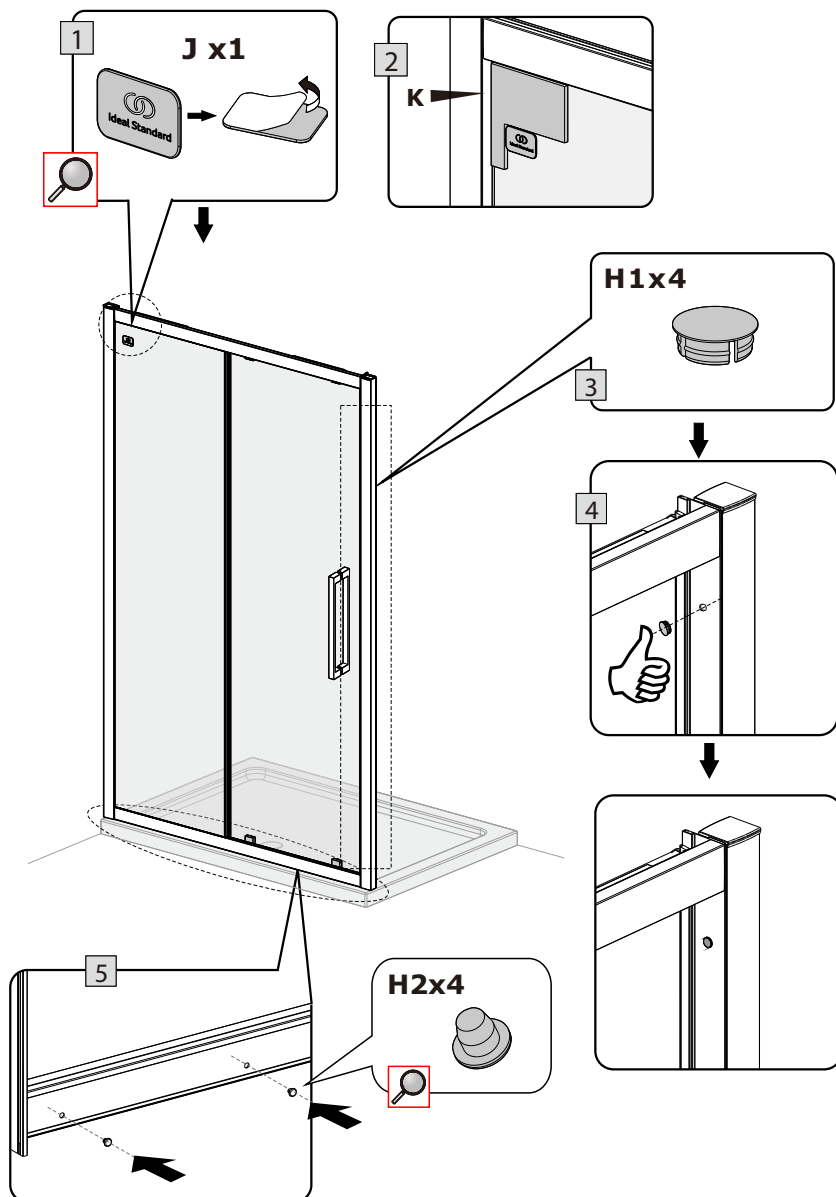


### TOP WHEELS ADJUSTMENT

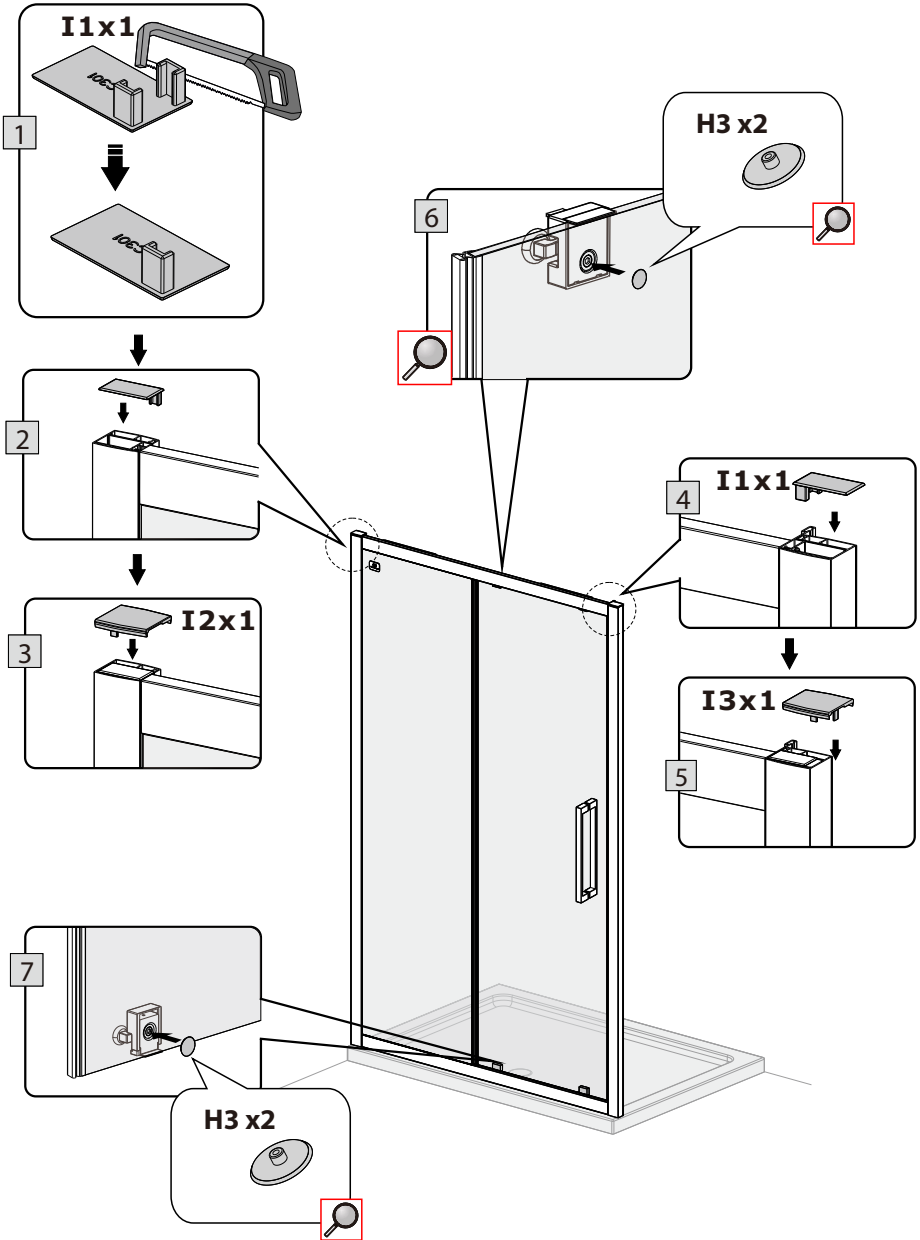


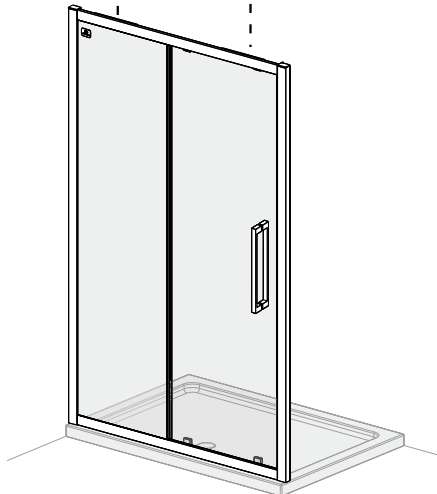
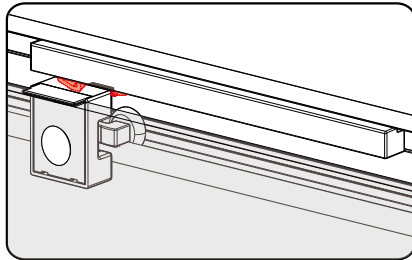
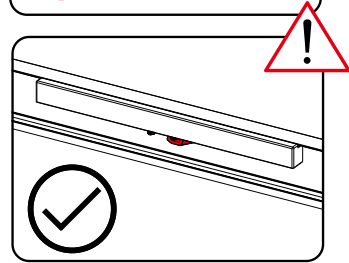
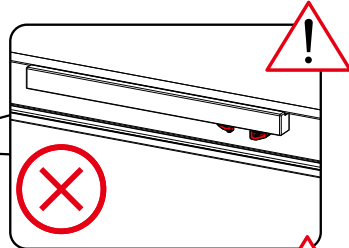
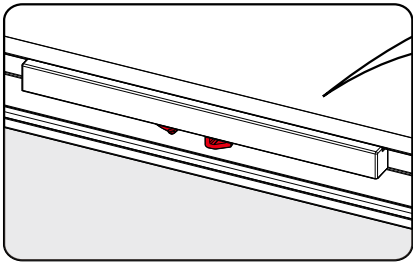
13

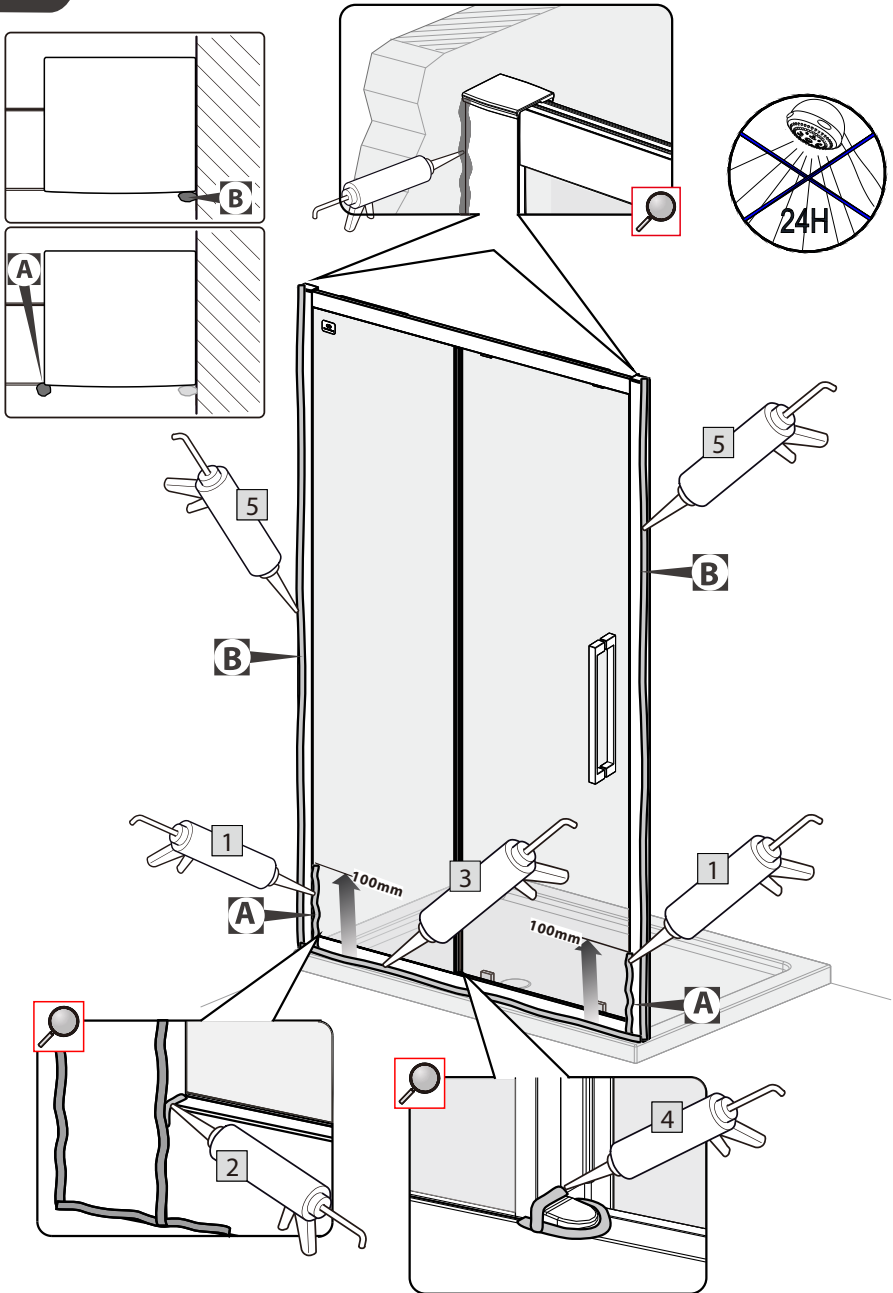




15









Ideal Standard

The Bathroom Works  
National Avenue  
Kingston upon Hull  
HU5 4HS England  
Telephone: (01482) 346461  
Telefax: (01482) 445886.

**CUSTOMER CARE HELPLINE**

**0870 1296085**

**CUSTOMER CARE FAX LINE 01482 499611**

**email: [ukcustcare@IdealStandard.com](mailto:ukcustcare@IdealStandard.com)**

Ideal Standard pursues a policy of continuing improvement in design and performance of its products. The right is, therefore, reserved to vary specifications without notice.

