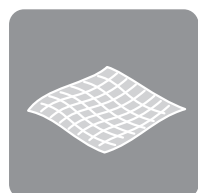
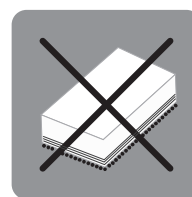
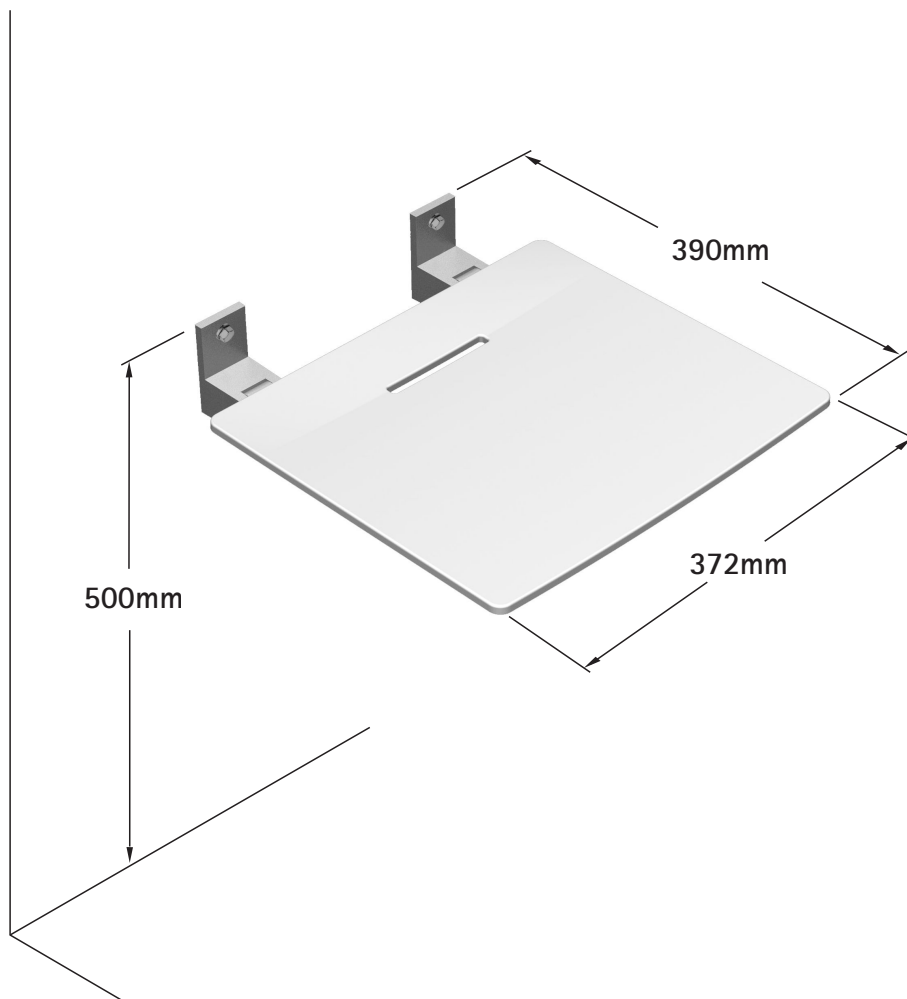
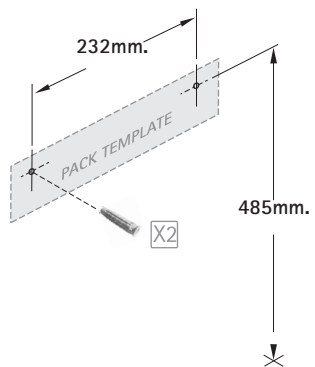
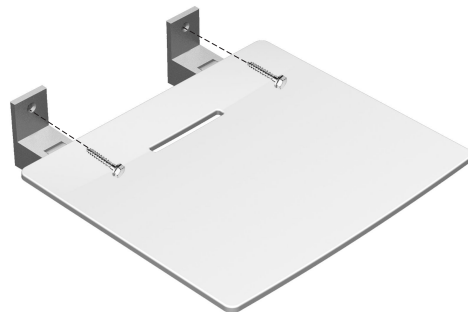
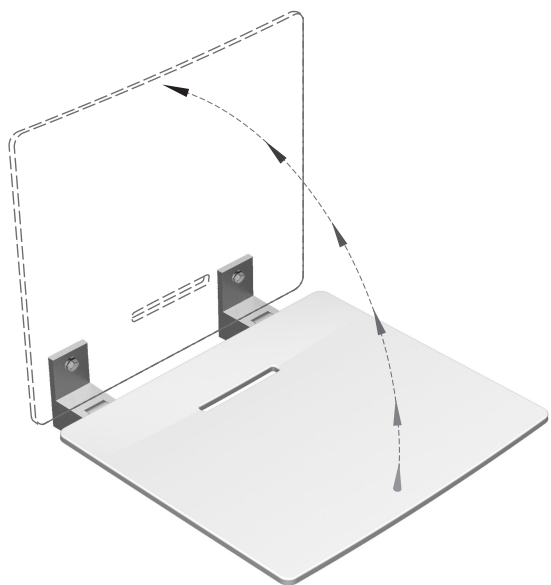


Installation, Operation & Maintenance Manual



a**b****c****d**