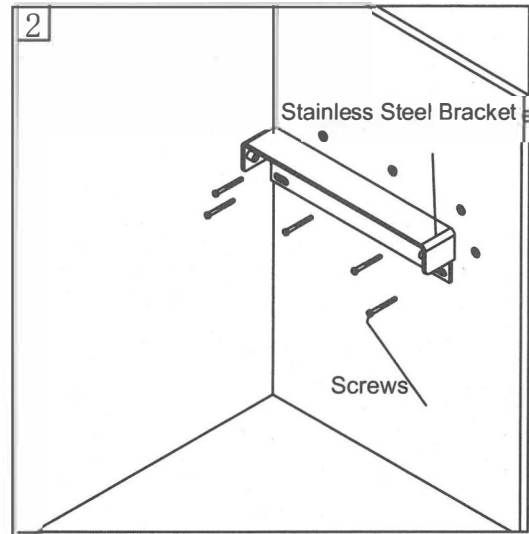
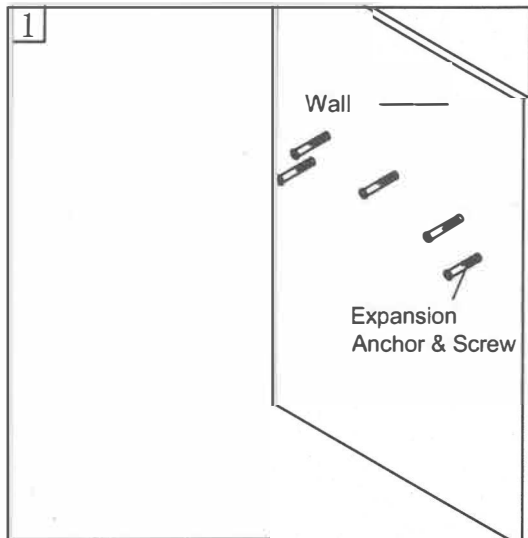


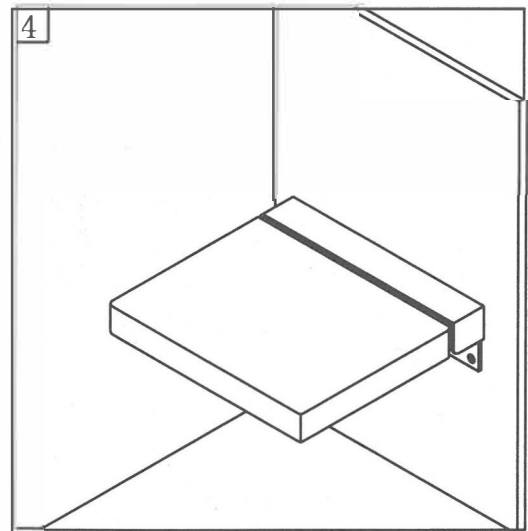
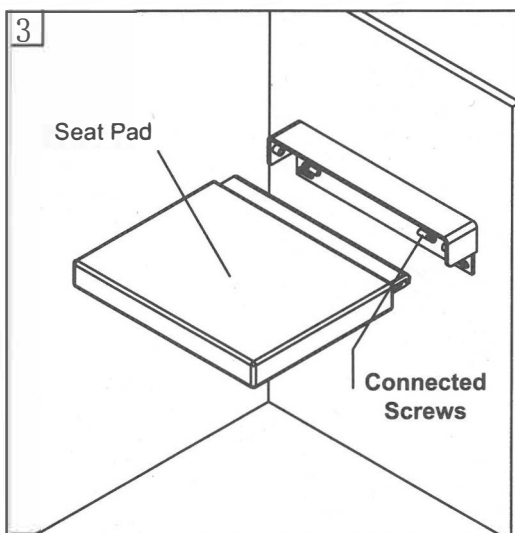
## Installation, Operation & Maintenance Manual



Plk

the

Fix the seat bracket to the wall by screwing into the mounting positions.



Fasten the PU seat pad onto the bracket and ensure the seat pad can be moved along the guide channel smoothly, then these screws can be locked.

The seat is now mounted to the wall.

### Maintenance and cleaning:

Use non-abrasive soap to clean the seat pad and wipe the surface using a soft cloth. Avoid using detergent or other cleanser. Do not use corrosive cleaning powder. Check all fixings are secure for seating.