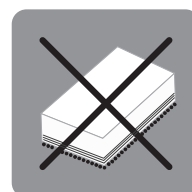
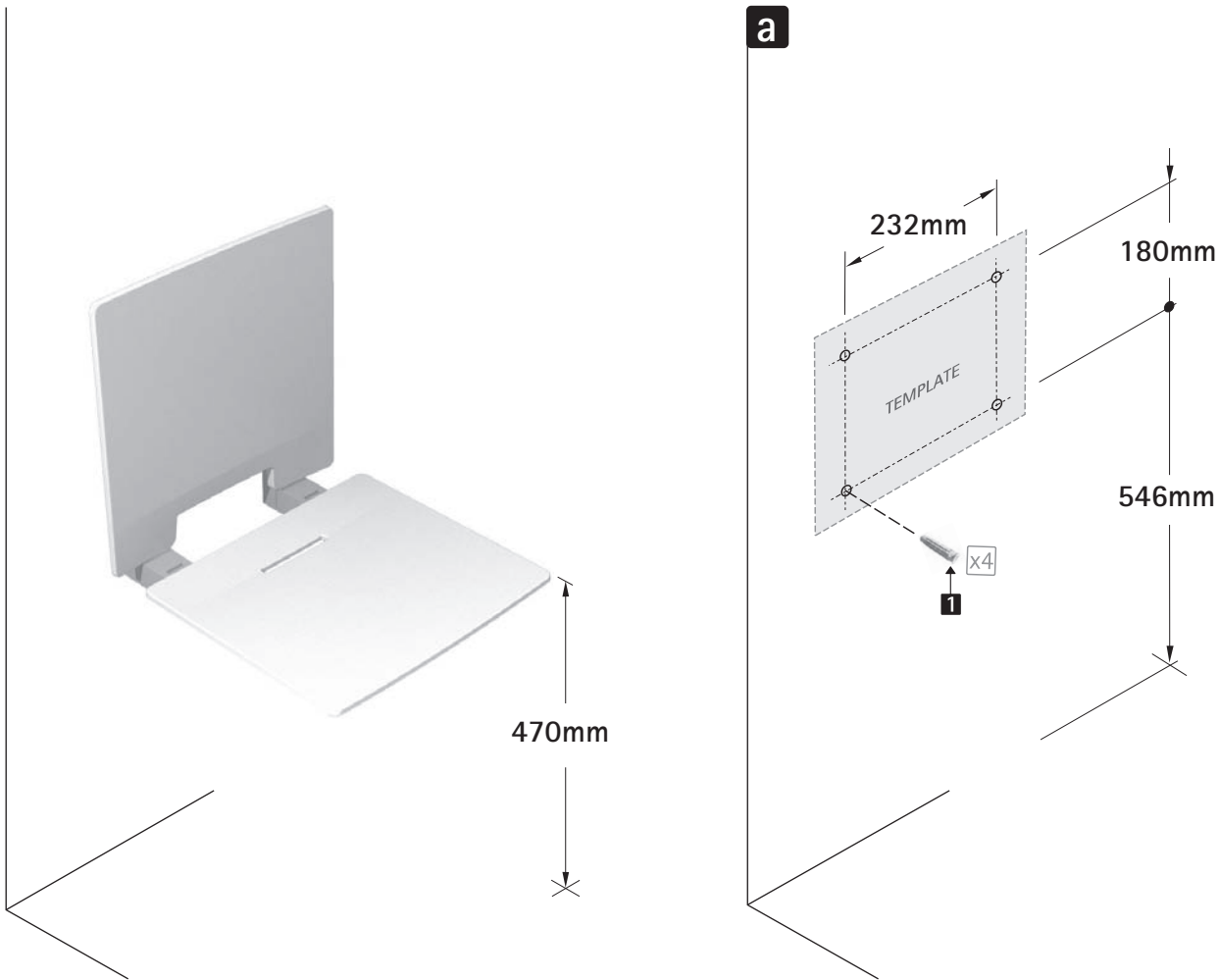
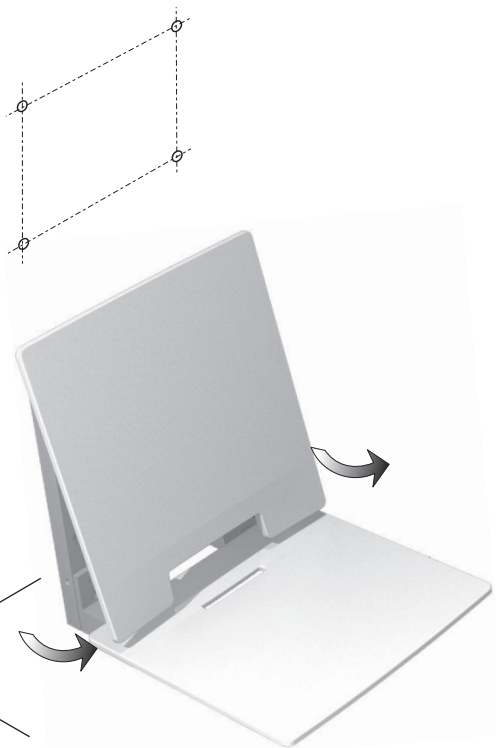
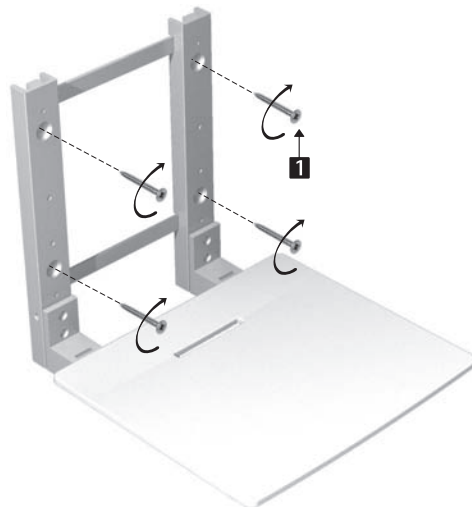
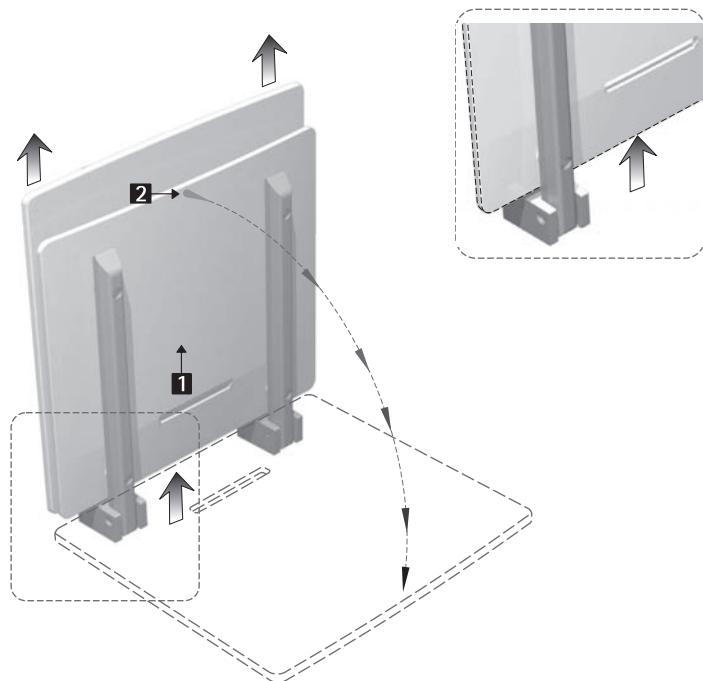


## Installation, Operation & Maintenance Manual



**b****c****d****e**

FIXATIONS MUST BE CHECKED PERIODICALLY

SEATS ARE DESIGNED FOR DOMESTIC PRIVATE USE

THE ASSEMBLY SHOULD BE CARRIED OUT BY A QUALIFIED PERSON