

# greenworks **GD60LM51SP**

OPERATOR MANUAL / BEDIENUNGSHANDBUCH / MANUAL DEL OPERARIO /  
MANUALE DELL'OPERATORE / MANUEL OPÉRATEUR / MANUAL DE UTILIZAÇÃO /  
GEBRUIKSAANWIJZING / РУКОВОДСТВО ОПЕРАТОРА / ΚΑΥΤΤΟΡΑΣ /  
ANVÄNDARHANDBOK / BRUKERVEILEDNING / BRUGSVEJLEDNING / INSTRUKCJA  
UŻYTKOWNIKA / NÁVOD K OBSLUZE / NÁVOD NA OBSLUHU / Uporabniški priročnik /  
PRIRUČNIK ZA RUKOVANJE / HASZNÁLATI ÚTMUTATÓ / MANUAL DE UTILIZARE /  
ΡΥΚΟΒΟΔΣΤΒΟ ΝΑ ΟΠΕΡΑΤΟΡΑ / ΕΓΧΕΙΡΙΔΙΟ ΧΡΗΣΗΣ / دليل التشغيل / KULLANIM  
KILAVUZU / מדרריך למפעיל / OPERATORIAU VADOVAS / LIETOTĀJA ROKASGRĀMATA /  
KASUTUSJUHEND

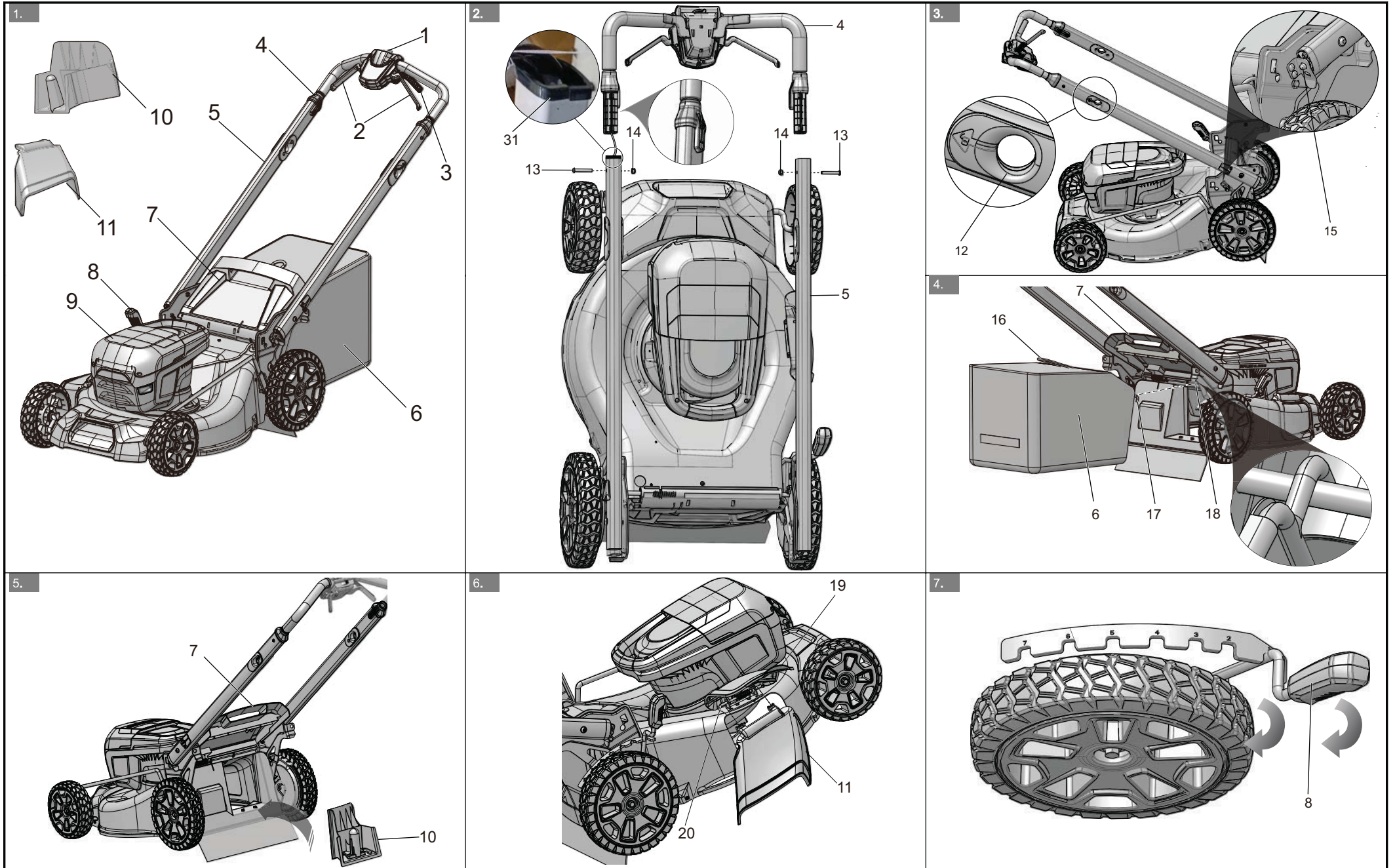


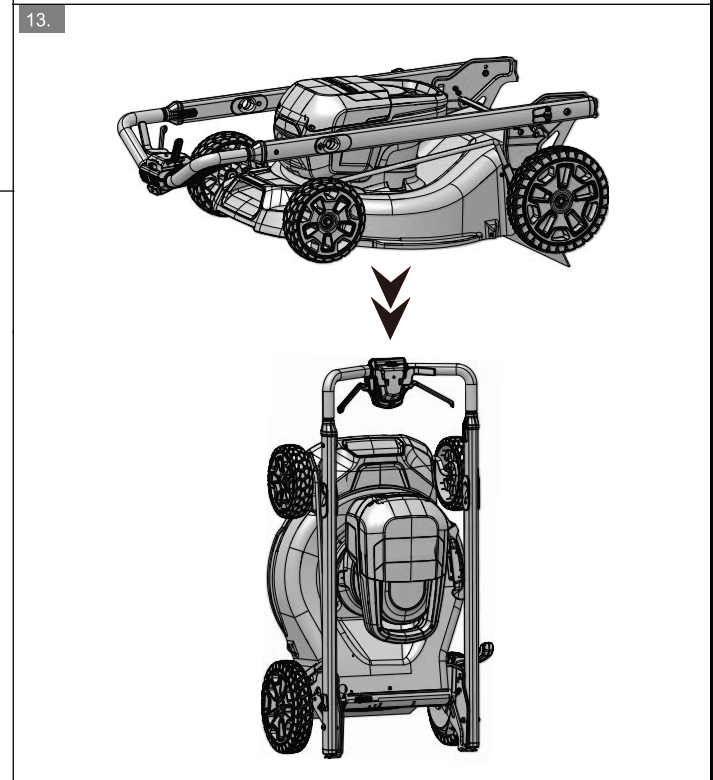
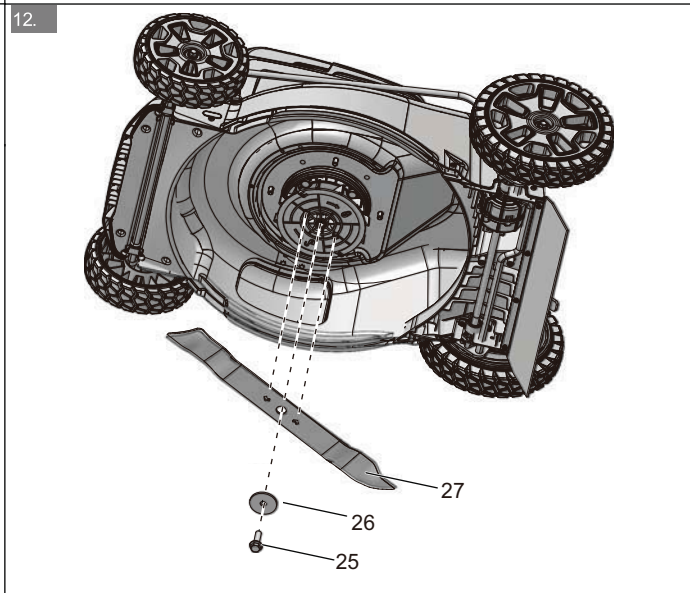
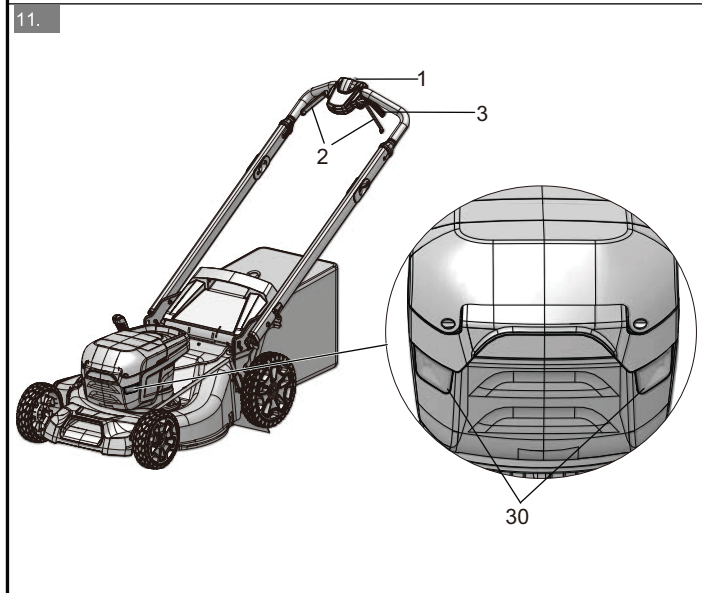
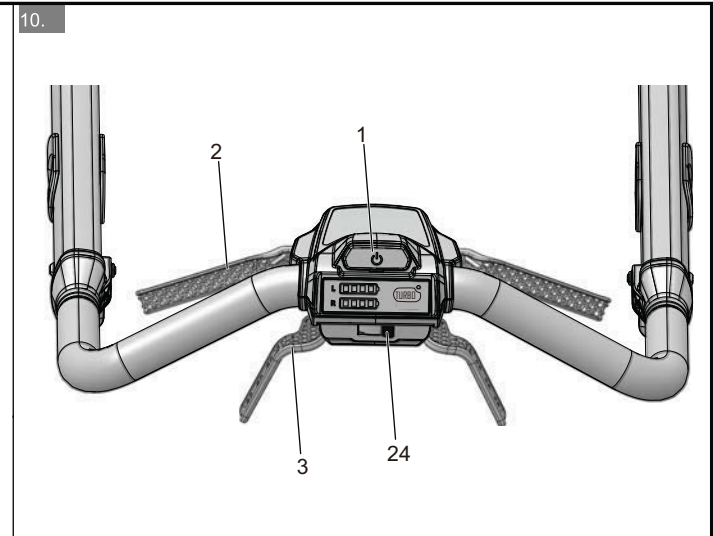
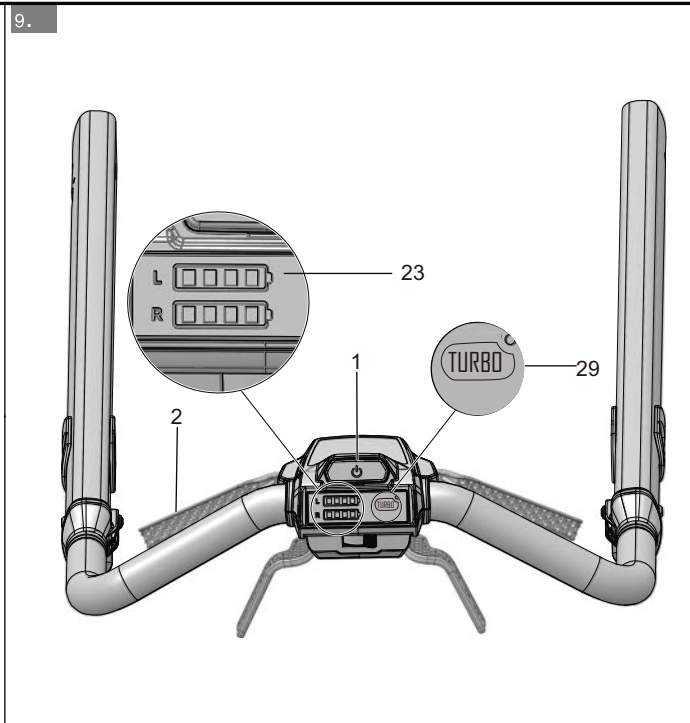
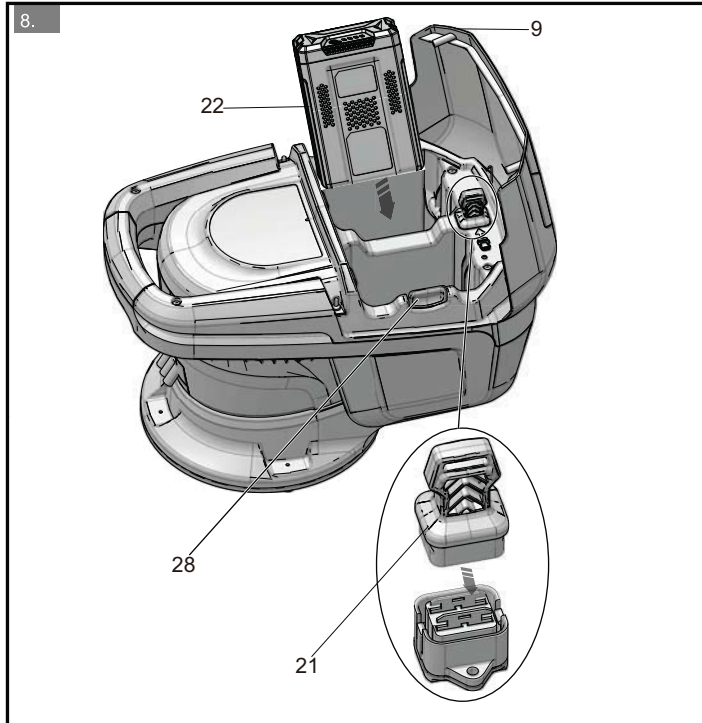
**LMC420**



Original Instructions / Übersetzung der Originalanweisungen / Traducción de las instrucciones originales / Traduzione delle istruzioni originali / Traduction des  
instructions d'origine / Traduzido a partir das instruções originais / Vertaling van de originele gebruiksaanwijzing / Перевод оригинальных инструкций /  
Alkuperäisten ohjeiden käänös / Översättning av originalinstruktionerna / Produsentens instruksjoner / Oversættelse af de originale vejledninger / Tłumaczenie  
oryginalnej instrukcji / Příklad originálního návodu / Preklad originálneho návodu / Prevod originalnih navodil / Prijevod izvornih uputa / Az eredeti utasítás  
fordítása / Traducere a instrucțiunilor originale / Превод на оригиналните инструкции / Αυθεντικῶςσυνῆχες / ترجمة التعليمات الأصلية / Orjinal  
Talimatların Tercümesi / הוראות מקוריות / Originaliųinstrukcijųvertimas / Instrukciju tulkojums no oriģinālvadošanas / Origaalkasutusjuhendi tõlge

# LMC420





<b>1</b>	<b>Description.....</b>	<b>2</b>	4.1	Start the machine.....	3
1.1	Purpose.....	2	4.2	Stop the machine.....	4
1.2	Overview.....	2	4.3	Operate the self-propel drive system.....	4
1.3	Packing list.....	2	4.4	LED Headlights.....	4
<b>2</b>	<b>Safety.....</b>	<b>2</b>	4.5	Empty the grass catcher.....	4
<b>3</b>	<b>Installation.....</b>	<b>2</b>	4.6	Operate on slopes.....	4
3.1	Unpack the machine.....	2	4.7	Operation tips.....	4
3.2	Unpacking and handle assembly.....	2	<b>5</b>	<b>Maintenance.....</b>	<b>5</b>
3.3	Unfold the lower handle.....	3	5.1	General maintenance.....	5
3.4	Install the grass catcher.....	3	5.2	Replace the blade.....	5
3.5	Install the mulch plug.....	3	5.3	Store the machine.....	5
3.6	Install the side discharge chute.....	3	5.4	Vertical storage.....	5
3.7	Set the blade/cutting height.....	3	<b>6</b>	<b>Troubleshooting.....</b>	<b>5</b>
3.8	Install the battery pack.....	3	<b>7</b>	<b>Technical data.....</b>	<b>6</b>
3.9	Remove the battery pack.....	3	<b>8</b>	<b>Warranty.....</b>	<b>6</b>
<b>4</b>	<b>Operation.....</b>	<b>3</b>	<b>9</b>	<b>EC Declaration of conformity.....</b>	<b>6</b>



## 1 DESCRIPTION

### 1.1 PURPOSE

This machine is used for domestic lawn mowing. The cutting blade must be approximately parallel to the ground. All four wheels must touch the ground while you mow.

### 1.2 OVERVIEW

Figure 1–13

- |    |                            |
|----|----------------------------|
| 1  | Start button               |
| 2  | Start handle               |
| 3  | Self-propel drive lever    |
| 4  | Upper handle               |
| 5  | Lower handle               |
| 6  | Grass catcher              |
| 7  | Rear discharge flap        |
| 8  | Height adjustment lever    |
| 9  | Battery compartment flap   |
| 10 | Mulch plug                 |
| 11 | Side discharge chute       |
| 12 | Handle hole                |
| 13 | Handle bolt                |
| 14 | Handle nut                 |
| 15 | Handle pin                 |
| 16 | Grass catcher handle       |
| 17 | Grass catcher hook         |
| 18 | Door rod                   |
| 19 | Side discharge flap        |
| 20 | Pivot                      |
| 21 | Safety key                 |
| 22 | Battery pack               |
| 23 | Battery capacity indicator |
| 24 | Self-propel speed control  |
| 25 | Blade bolt                 |
| 26 | Spacer                     |
| 27 | Blade                      |
| 28 | Battery release button     |
| 29 | Turbo button               |
| 30 | Headlight                  |
| 31 | Rubber edge guard          |

### 1.3 PACKING LIST

- |   |               |   |                      |
|---|---------------|---|----------------------|
| 1 | Lawn mower    | 3 | Side discharge chute |
| 2 | Grass catcher | 4 | Manual               |

## 2 SAFETY

### ▲ WARNING

Make sure that you follow all safety instructions.

Refer to Safety Manual.

## 3 INSTALLATION

### ▲ WARNING

Do not use accessories that are not recommended by the manufacturer.

### ▲ WARNING

Do not put in the safety key or the battery pack until you finalised the assembly of all the parts.

### 3.1 UNPACK THE MACHINE

#### ▲ WARNING

Make sure that you correctly assemble the machine before use.

#### ▲ WARNING

- If parts of the machine are damaged, do not use the machine.
- If you do not have all the parts, do not operate the machine.
- If parts are damaged or missing, contact the service center.

1. Open the package.
2. Read the documentation provided in the box.
3. Remove all the unassembled parts from the box.
4. Remove the machine from the box.
5. Discard the box and packing material in compliance with local regulations.

### 3.2 UNPACKING AND HANDLE ASSEMBLY

Figure 2

1. Place the mower upright in vertical position.
2. Remove the packing material from the cable.
3. Remove the rubber edge guard from the upper handle.
4. Insert the upper handle into the lower handle.
5. Put the bolts through the holes and tighten with the nuts.

#### ▲ WARNING

Do not damage the cable while installing the upper handle.

### 3.3 UNFOLD THE LOWER HANDLE

Figure 3

1. Pull up on the handle holes to release the lower handles.
2. Fold the lower handle up until the handle pins lock into position.

#### **i** NOTE

Make sure that the two handle pins are in the same position.

### 3.4 INSTALL THE GRASS CATCHER

Figure 4

1. Remove the mulch plug.
2. Remove the side discharge chute.
3. Open the rear discharge flap and hold it.
4. Hold the the grass catcher by its handle and engage the hooks on the door rod.
5. Close the rear discharge flap.

### 3.5 INSTALL THE MULCH PLUG

Figure 5

1. Remove the grass catcher.
2. Open the rear discharge flap and hold it.
3. Hold the mulch plug by its handle and fit it in the discharge chute.
4. Close the rear discharge flap.

### 3.6 INSTALL THE SIDE DISCHARGE CHUTE

Figure 6

#### **▲** CAUTION

When you use the side discharge chute,

- Do not install the grass catcher.
- Keep the mulch plug installed.

1. Open the side discharge flap and hold it.
2. Line up the recesses of the side discharge chute below the pivot.
3. Close the side discharge flap.

### 3.7 SET THE BLADE/CUTTING HEIGHT

The machine can be set to different blade/cutting heights.

Figure 7

1. Pull the height adjustment lever rearward to increase the blade/cutting height.
2. Push the height adjustment lever forward to decrease the blade/cutting height.

### 3.8 INSTALL THE BATTERY PACK

Figure 8.

#### **▲** WARNING

- If the battery pack or charger is damaged, replace the battery pack or the charger.
- Stop the machine and wait until the engine stops before you install or remove the battery pack.
- Read, know, and do the instructions in the battery and charger manual.

#### **i** NOTE

The machine has an automatic switch function that lets the other battery work when the first cannot operate.

1. Open the battery compartment flap.
2. Align the lift ribs on the battery pack with the grooves in the battery compartment.
3. Push the battery pack into the battery compartment until the battery pack locks into place.
4. When you hear a click, the battery pack is installed.
5. Close the battery compartment.

#### **i** NOTE

The engine starts only when you put in the safety key.

### 3.9 REMOVE THE BATTERY PACK

Figure 8

1. Remove the safety key.
2. Open the battery compartment flap.
3. Push and hold the battery release button.
4. Remove the battery pack from the machine.

## 4 OPERATION

#### **▲** WARNING

Wear eye protection during operation.

### 4.1 START THE MACHINE

Figure 9

1. Make sure safety key is inserted into slot.
2. Push and hold the start button.
3. While you hold the start button, grab the start handles in the direction of the handle bar.
4. Once the machine has started, you can release the start button.
5. Press the Turbo button to speed up to 3,250RPM.

#### 4.1.1 BATTERY CAPACITY INDICATOR

Lights	Capacity
4 Green Lights	The battery is above 80% capacity.
3 Green Lights	The battery is between 80% and 60% capacity.
2 Green Lights	The battery is at between 60% and 40% capacity.
1 Green Light	The battery is between 40% and 20% capacity .
Lights go out	The battery is less than 20% capacity and requires charging immediately.

#### 4.2 STOP THE MACHINE

Figure 9

1. Release the handle switch to stop the machine.

#### ▲ WARNING

Wait until the blade fully stops before you start the machine again. Do not quickly turn the machine off and on.

#### ▲ WARNING

Always remove the safety key and battery pack after you complete the work.

#### 4.3 OPERATE THE SELF-PROPEL DRIVE SYSTEM

Figure 10

1. Start the machine.
2. While you hold the start handles, grab either of the drive levers and pull towards the handle bar.
3. Hold the start handles and the drive levers at the same time.
4. Release either set of start handle and drive lever from the same side.
5. Adjust the speed control with your free hand.
  - Slide the speed control button in the direction of the Rabbit Symbol to increase the speed.
  - Pull the speed control button in the direction of the Turtle Symbol to decrease the speed.
6. Release the drive levers to close the self-propel system.

**To engage the self-propel drive system while the mower is not running:**

- Press and hold the start button, then pull up on the drive lever.

#### OR

- Pull up on the drive lever, then press the start button.

#### 4.4 LED HEADLIGHTS

Figure 11

1. When the mower is ready to start, you may grab the start handle or the self-propel lever to turn on the LED headlights.
2. Release the start handles and self-propel levers to turn off the headlights.

#### 4.5 EMPTY THE GRASS CATCHER

1. Stop the machine.
2. Remove the safety key.
3. Remove the battery pack.
4. Open the rear discharge door and hold it.
5. Hold the grass catcher by its handle and unhook it from the door rod.
6. Close the rear discharge door.
7. Empty the grass catcher.

#### 4.6 OPERATE ON SLOPES

#### ▲ WARNING

Do not mow on the slopes with incline more than 15°. If you are not comfortable, do not mow on a slope.

#### ▲ WARNING

Please keep a low self-propelled speed when you mow on a slope.

- Do not go up and down on a slope, mow across the face of the slope. Be careful when you change the direction on a slope.
- Monitor the holes, ruts, rocks, and other hidden objects that can cause you to fall. Remove all obstacles such as rocks and tree limbs.
- Make sure that your footing is stable. If you are out of balance, release the start handle immediately.
- Do not mow near drop-offs, ditches, or embankments.

#### 4.7 OPERATION TIPS

- Do not try to override the operation of the start button or handle switch.
- Do not tilt the machine when you start it.
- Do not put hands or feet near or below the turning parts.
- Keep the discharge chute clean.
- Do not cut wet grass.
- Higher blade height is necessary for new or thick grass.
- Clean the bottom of the mower deck after each use. Remove grass clippings, leaves, dirt, and other debris.

## 5 MAINTENANCE

### ▲ WARNING

Remove the safety key and battery pack from the machine before maintenance.

### ▲ WARNING

Keep the motor and battery pack free from grass, leaves or too much grease.

### ▲ CAUTION

Use only approved replacement parts.

### ▲ CAUTION

Do not let brake fluids, gasoline, petroleum-based materials touch the plastic parts. Chemicals can cause damage to the plastic, and make the plastic unserviceable.

### ▲ CAUTION

Do not use strong solvents or detergents on the plastic housing or components.

### i NOTE

Recommended tightening torque (blade): 33-37 Nm.

### 5.1 GENERAL MAINTENANCE

- Before each use, examine the machine for damaged, missing, or loose parts such as screws, nuts, bolts and caps.
- Tighten correctly all the fasteners and caps.
- Clean the machine with a dry cloth. Do not use water.

### 5.2 REPLACE THE BLADE

Figure 12

### ▲ WARNING

Use only approved replacement blades.

### ▲ WARNING

Wear heavy gloves or wind cloth around the blade when you touch the blade.

1. Stop the machine.
2. Make sure that the blades fully stop.
3. Remove the safety key and battery pack.
4. Turn the machine to its side.
5. Use a piece of wood to prevent the movement of the blade.
6. Remove the mounting screw and spacer with a wrench or socket.

7. Remove the blade.
8. Install the new blade. Make sure that the arrows engage the holes in the blade.
9. Put in the mounting screw and spacer and tighten them.

### 5.3 STORE THE MACHINE

- Remove the safety key.
- Remove the battery pack(s).
- Clean the machine before storage.
- Make sure the motor is not hot when you store the machine.
- Make sure that the machine does not have loose or damaged parts. If it is necessary, follow these instructions:
  - Replace the damaged parts.
  - Tighten the bolts.
  - Speak to a person at an approved service center.
- Store the machine in a dry area.
- Make sure that children cannot come near the machine.

### 5.4 VERTICAL STORAGE

Figure 13

1. Remove the grass catcher.
2. Remove the battery and safety key.
3. Pull through the handle holes to fold away the handles.
4. Lock the handles into position.
5. Stand the machine on end and make sure that the brackets touch the floor.

## 6 TROUBLESHOOTING

Problem	Possible cause	Solution
The handle is not in position.	The bolts are not engaged correctly.	Adjust the height of the handle and make sure that the knobs and bolts are aligned correctly.
The machine does not start.	The battery capacity is low.	Charge the battery pack.
	The handle switch is defective.	Replace the handle switch.
	The safety key is not put in.	Put in the safety key.
The machine cuts grass unevenly.	The lawn is rough.	Examine the mowing area.
	The blade height is not set correctly.	Adjust the blade/cutting height to a higher position.




Problem	Possible cause	Solution
The machine does not mulch correctly.	Wet grass clippings attach to the deck.	Wait until the grass dries before mowing.
	The mulch plug is missing.	Install the mulch plug.
The machine is hard to push.	The grass is too tall, or the blade height is too low.	Increase the blade/cutting height.
	The grass catcher and the blade drags in thick grass.	Empty the grass clippings from the grass catcher.
There is a high vibration in the machine.	The blade is unbalanced and worn.	Replace the blade.
	The motor shaft is bent.	<ol style="list-style-type: none"> <li>1. Stop the motor.</li> <li>2. Remove the safety key and battery pack.</li> <li>3. Inspect for damage.</li> <li>4. Repair the machine before you start it again.</li> </ol>
The machine stops during mowing.	The blade height is too low.	Increase the blade/cutting height.
	The battery pack is out of power.	Charge the battery pack.
	The grass clippings attach to the deck or the blade.	Remove the battery pack and check the deck.
	Operation temperature of the machine is too high.	Cool the machine.

\* If you cannot find the solution to these problems, go to the service center.

## 7 TECHNICAL DATA

Voltage	60 V
No load speed	2800 / min
Cut width	510 mm
Cut height	25 - 80 mm
Self-propelled speed	0,7 - 1,35 m/s
Grass catcher capacity	60 L

Weight (without battery pack)	31 kg
Measured sound pressure level	$L_{PA} = 77 \text{ dB(A)}$ , $K = 3 \text{ dB(A)}$
Guaranteed sound power level	$L_{WA,d} = 96 \text{ dB(A)}$
Vibration	$< 2,5 \text{ m/s}^2$ , $K = 1,5 \text{ m/s}^2$
Battery model	2900413/2900513 and other BAC series
Charger model	2900313 and other CAC series
Double-insulated construction	
IPX	IPX4

## 8 WARRANTY

(The full warranty terms and conditions can be found on Greenworks website)

The Greenworks warranty is 3 years on the product, and 2 years on batteries (consumer/private usage) from the date of purchase. This warranty covers manufacturing faults. A faulty product under warranty might be either repaired or replaced. A unit that has been misused or used in other ways than described in the owner's manual might be rejected for warranty. Normal wear, and wear parts are not considered as warranty. The original manufacturer warranty is not affected by any additional warranty offered by a dealer or retailer.

A faulty product must be returned to the point of purchase in order to claim for warranty, together with the proof of purchase (receipt).

## 9 EC DECLARATION OF CONFORMITY

Name and address of the manufacturer:

Name: GLOBGRO AB

Globe Group Europe

Address: Riggaregatan 53, 211 13 Malmö, Sweden

Name and address of the person authorised to compile the technical file:

Name: Peter Söderström

Address: Riggaregatan 53, 211 13 Malmö, Sweden

Herewith we declare that the product

Category: Lawn Mower

Model: 2514307 (LMC420)

Serial number: See product rating label

Year of Construction: See product rating label

- is in conformity with the relevant provisions of the Machinery Directive 2006/42/EC.
- is in conformity with the provisions of the following other EC-Directives:
  - 2014/30/EU
  - 2000/14/EC & 2005/88/EC
  - 2011/65/EU & (EU)2015/863

Furthermore, we declare that the following parts, clauses of harmonised standards have been used:

- EN 60335-1:2012, EN 60335-2-77:2010, EN 62233:2008, EN ISO 3744:1995, EN ISO 3744:2010, EN 55014-1:2006/+A1:2009/+ A2:2011, EN 55014-2:2015, ISO 11094:1991, IEC 62321-3-1:2013, IEC 62321-4:2013, IEC 62321-5:2013, IEC 62321-6:2015, IEC 62321-7-1:2015, IEC 62321-7-2:2017, IEC 62321-8:2017, EN 61000-3-2:2014, EN 61000-3-3:2013

Conformity assessment method to Annex VI Directive 2000/14/EC.

Measured sound power level  $L_{WA}$ : 90.1 dB(A)

Guaranteed sound power level  $L_{WA,d}$ : 96 dB(A)

Place, date: Malmö, Signature: Ted Qu, Quality Director  
3.3.2020

Ted Qu