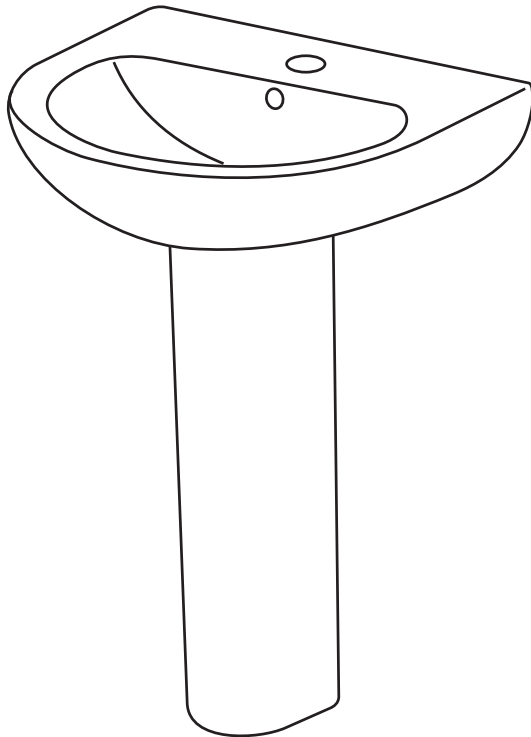


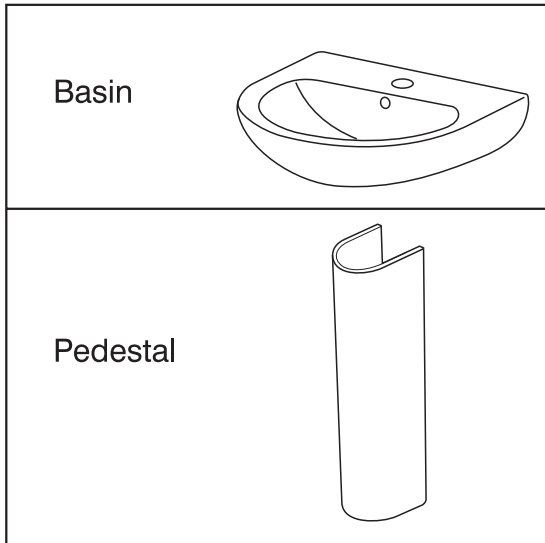


# Full Pedestal Basins

## Assembly and Installation Instructions



## Parts Supplied - Full pedestal basin pack



### Tools Required (not supplied)

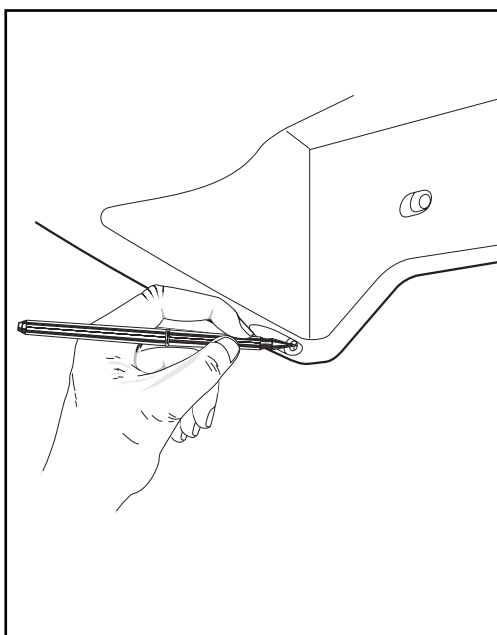
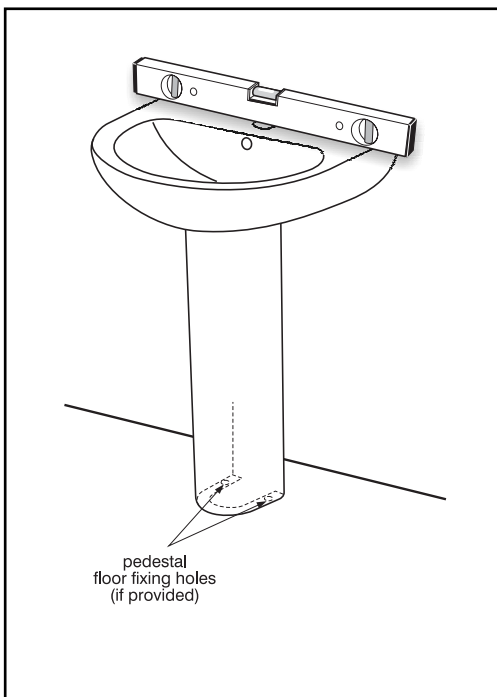
- Adjustable Spanner
- Screwdriver
- Spirit Level
- Tape Measure
- Pencil or Marker Pen
- Power Drill and suitable bit(s)
- Waterproof Sealant

### Before You Start

- Check the pack and make sure you have all the parts listed. If not, contact the vendor who will be able to help you.
- When you are ready to start, make sure that you have the right tools to hand, plenty of space and a clean, dry area for assembly.
- Ensure the water feed and waste connection points are positioned appropriately for the installation.
- **Caution:** Care should always be taken when drilling into walls and floors to avoid any sunken wires or pipes.
- **Please Note:** Although these instructions are comprehensive, it is always recommended that a technically competent installer should undertake installation.

## **Basin and Full Pedestal - Assembly**

1. Fit the taps and waste fittings to the basin in accordance with the instructions provided.
2. Place the basin on the pedestal close to the wall and carefully move into the final installation position. Ensure the basin is level and is flush against the wall.
3. Mark the positions of the wall and the floor fixing holes, (if provided).
4. Drill and fit wall plugs if necessary.
5. Secure the basin and pedestal using suitable fixings, making sure that the basin is level and fixed firmly. Do not overtighten the fixings as this may damage the basin.
6. Connect water supply and waste connections. Check for leaks.
7. Seal interface between basin and wall using waterproof sealant.



### **Product Care**

All our products are designed, manufactured and supplied to give many years of reliable service, provided they are properly maintained and cared for.

These are our recommendations to make sure that your bathroom stays looking good:

#### **Vitreous China – Ceramic Basins and Pedestals**

##### **Do's**

Clean immediately after use to stop a build up of dirt and scale.

Use warm soapy water, cream or liquid cleaner.

Fix dripping taps – this stops stain and limescale build up.

Occasional use of mild bathroom lime scale removers is acceptable.

Use in accordance with manufacturers instructions, rinsing well with plenty of water.

##### **Don't**

Never mix different cleaners – they can react to give off poisonous gas.

### **Product Guarantee**

# L I F E T I M E

#### **All Ideal Standard ceramic products**

This covers products in domestic use by the consumer and not commercial or business use.

All Ideal Standard products must be installed, used and cared for in line with our fixing instructions, local water byelaws and current water regulations.

Access to our products for installation, service or repair and costs relating to this is the owners or installers' responsibility.

This guarantee does not cover general wear and tear.

Applies to the UK and Republic of Ireland only.

### **CUSTOMER CARE HELPLINE**

## **0870 1258905**

### **FAX LINE 01482 499611**

### **email: [ukcustcare@IdealStandard.com](mailto:ukcustcare@IdealStandard.com)**

---

We pursue a policy of continuing improvement in design and performance of our products. The right is, therefore, reserved to vary specifications without notice.