
BRISTAN

Installation Instructions and User Guide

Clicker Basin Waste

Models Covered:

Slotted and Unslotted
Clicker Basin Wastes

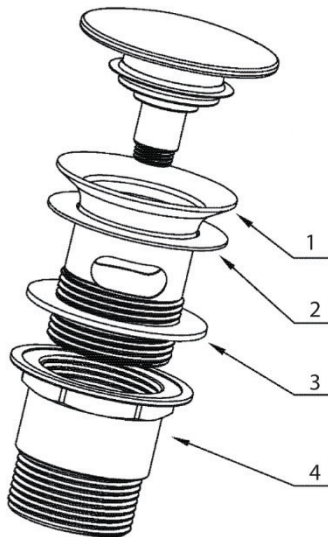
**Please keep this booklet for future
reference.**

**Installer, when you have read these
instructions please ensure you leave
them with the user.**

Introduction

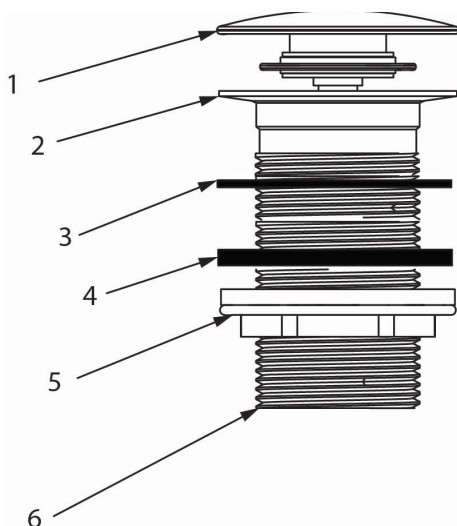
Thank you for choosing Bristan, the UK's leading taps and showers expert. We have designed this product with your enjoyment in mind. To ensure that it works to its full potential, it needs to be fitted correctly. These fitting instructions have been created to give you all of the information you need and, if you need any further help, please do not hesitate to give us a call on 0330 026 6273.

Components



Slotted Wastes -

1. Waste Flange
2. Upper Rubber Washer
3. Lower Rubber Washer
4. Waste Body and Back Nut



Unslotted Wastes -

1. Clicker Mechanism
2. Flange
3. Upper Rubber Washer
4. Lower Rubber Washer
5. Backnut
6. Waste Body

Installation

Slotted Wastes -

1. Identify all components are present prior to installation.
2. Unscrew the backnut (4) and remove the lower washer (3). Fit the waste above the basin with the upper washer (2). Locate the bottom waste.
3. Secure waste with backnut (4) and the lower washer (3).
4. In order to fill the basin, the 'Clicker' mechanism of the waste needs to be pressed down. To release water, press the button again.
5. Check all joints and connections for leaks.
6. See below for aftercare instructions.

Unslotted Wastes -

1. Identify all components are present prior to installation.
2. Unscrew the clicker mechanism (1) from the flange (2) and the flange from the waste body (5).
3. Fit the lower rubber washer (4) onto the waste body (6) and put under the basin. Fit the upper rubber washer (3) to the flange (2) and screw through the basin into the waste body.
4. Screw the clicker mechanism (1) back into the flange (DO NOT OVERTIGHTEN)
5. Check all joints and connections for leaks.
6. See Below for aftercare instructions.

General Cleaning

Bristan products are made from premium materials, with hand polishing and electroplated finishes.

Your waste should be regularly cleaned with warm water, a mild pH-neutral liquid soap, and polished with a soft cloth. Any residues from soap, toothpaste, shampoos and shower gels can cause blemishes if not rinsed off straight after use.

Household bleaches and cleaners contain harsh chemicals and may damage the surface finish. Avoid using abrasive cloths, scouring pads, scrub sponges, steel wool or anything similar.

Some surfaces such as nickel and pewter may be affected by the dye found in some cloths, so it is also important to avoid hanging cloths on surfaces.

Issue: D6

Part Number: FI Clicker Wastes

BRISTAN

Bristan Group Ltd.

UK: Bristan Group, B78 1SG.

EU: Masco Europe S.à.r.l.

14 Rue Strachen

6933 Mensdorf

Luxembourg

Customer Service: +44330 026 6273

Web: www.bristan.com

Email: enquire@bristan.com

A Masco Company

At Bristan, we want to make things as easy as possible for our customers. That's why we offer solid guarantees on all our products, effective from the date of purchase, to give you peace of mind.

To start your free guarantee simply scan the QR code and register your product.
Alternatively visit www.bristan.com/register.

For any other queries, please call our Customer Service on **0330 026 6273** where our expert team of advisors will be able to offer you any help and advice.

For full guarantee terms and conditions visit www.bristan.com/service-centre/guarantees.

