

LED IP65 MOSI BULKHEAD square & circular



NOTE – To comply with regulations, installation must be carried out by suitably qualified competent person and in accordance with the current IEE Wiring Regulations (BS7671) and Building Regulations. A copy of the instructions must be left for the user/maintenance engineer for future reference.

For non-UK, please refer/consult local requirements

**ENSURE ELECTRICAL SUPPLY IS DISCONNECTED/
ISOLATED BEFORE COMMENCING INSTALLATION**



ASSEMBLY AND INSTALLATION

- Suitable for use with mains voltage 220-240V AC
- This product must be disconnected before insulation resistance testing of the lighting circuit
- Check for electrical cables and pipes before installation
- To maintain the IP65 rating of the bulkhead, a suitable 20mm cable gland should be used in conjunction with rubber insulated cable to ensure the supply cable is sealed in the gland. Failure to use a gland and/or rubber insulated cable may result in water ingress
- **NOTE** – this luminaire contains no user replaceable components

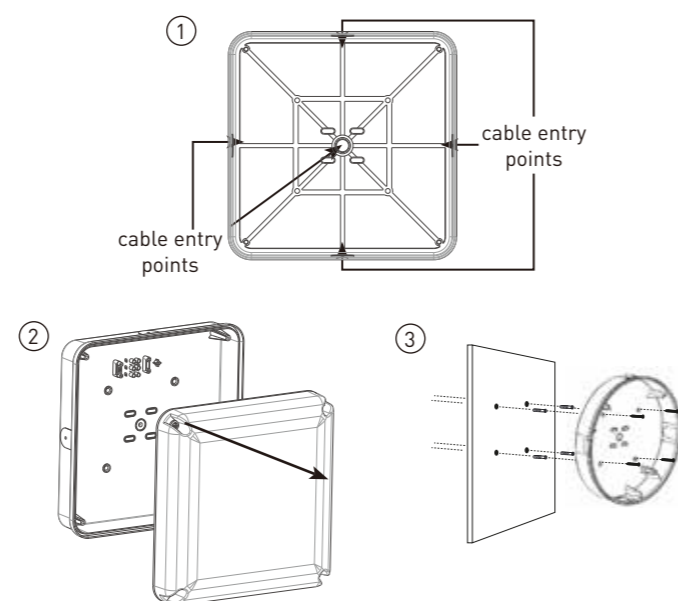
TECHNICAL INFORMATION

Code	Size	Rated Voltage	Power	DF	Useful Lumens
LBM33X11S40	280*280mm	220-240V	9W	≥0.8	1150
LBM33X11S40MW	280*280mm	220-240V	9.5W	≥0.8	1150
LBM290X11S40	290mm Dia	220-240V	9W	≥0.8	1150
LBM290X11S40MW	290mm Dia	220-240V	9.5W	≥0.8	1150
LBM22X7S40	190*190mm	220-240V	6W	≥0.8	735
LBM22X7S40MW	190*190mm	220-240V	6W	≥0.8	735
LBM200X7S40	200mm Dia	220-240V	6W	≥0.8	735
LBM200X7S40MW	200mm Dia	220-240V	6W	≥0.8	735

SUGGESTED METHOD OF INSTALLATION

The bulkhead is designed for mounting in any of the following options: –

- Surface Wall Mounting
 - Surface Ceiling Mounting
1. Surface mounted options may use rear cable entry for flush mounting or there is facility for surface Conduit 'besa' box mounting or side conduit entry (1)
 2. With the method of mounting chosen, remove the front Diffuser
 3. When removing the diffuser, ensure connector is released (2)
 4. This Bulkhead can be mounted on ceilings and vertical walls. Ensure the mounting surface is suitable for installation. Once mounting points are decided, drill out mounting holes and any cable entry points needed



Page 1

Tech Help Line
UK - 0330 0249 279
Non UK - +44 (0)1952 238 100
Supplied by LUCECO
Stafford Park 1, Telford, Shropshire,
England, TF3 3BD
Visit our website at www.luceco.com

Servicio de asistencia telefónica
UK - 0330 0249 279
Non UK - +34 93 829 55 74
[EU] Luceco SE
C/ Bobinadora 1-5
08302 Mataró Spain
Visite nuestra web en www.luceco.com

5. Cable Entry Points must be drilled out with a 20mm bit, cleaned of any loose burrs and fitted with a suitable IP65 gland, if the IP65 rating is to be maintained. Otherwise the IP rating would be reduced

WIRE UP

With the bulkhead securely fixed in the desired position, make the electrical connection to the terminal block, observing the correct polarity (5)

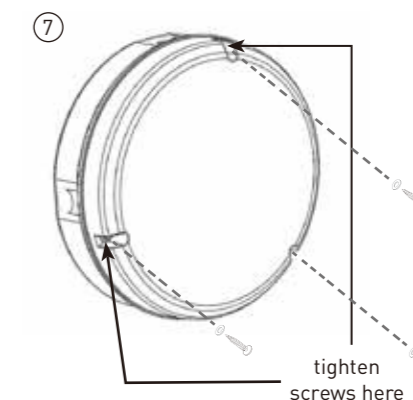
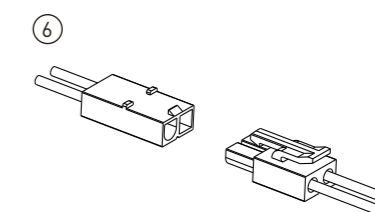
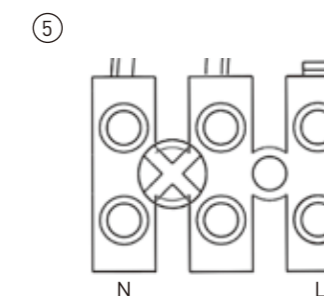
Note – the bulkhead is a class II construction and does not require an earth connection, but a earth termination point is fitted

6. Connect Power to driver, ensure correct polarity on connector
7. Refit the Diffuser and secure screws until tight
8. Turn on power and check function

MICROWAVE

Integral Microwave Sensor versions are pre-set for optimal settings and energy saving.

Time on - 60S
Min Lux level - 25 Lux
Detection area - Upto 10M Max range,
MW Frequency - 5.8GHz



United Kingdom Warranty

For other territories and for further information, please see www.luceco.com for details

Products are protected by guarantee for a period of 5 year warranty, from date of purchase against defects in material and workmanship (unless otherwise stated). Should a product fail to perform as described within the warranty period it will be repaired or replaced with the same or equivalent product by Luceco, free of charge provided that you: (1) return the product to us with shipping charge prepaid, (2) provide us with proof of the original date of purchase and (3) quote our return authorization number. Repaired or replaced products will be returned to you with shipping charges prepaid. Replacement products may be refurbished or contain refurbished materials. If in our sole discretion, we are unable to repair or replace a defective product, we will refund the purchase price of the product.

This warranty will not apply if in our judgment, the product fails due to damage in shipment, handling, storage, accident, abuse or misuse, or if it has been used in a manner not conforming to our product instructions, has been modified in any way, or has any serial number removed or defaced. Repair or attempted repair will void this warranty. Our maximum liability under the terms of this warranty is limited to the purchase price of the product covered by the warranty.

The warranty is given under English Law. If any part of this warranty is deemed unenforceable (including any provision in which we exclude our liability to you) the enforceability of any other parts of the warranty will not be affected. These terms do not reduce your statutory rights.

For Non-UK please contact Local Luceco Office for details. THESE TERMS AND CONDITIONS ARE SUBJECT TO CHANGE WITHOUT PRIOR NOTICE.

Eventually, you may want to replace this fitting;

Environmental Protection W.E.E.E (Wheellie Bin Symbol for EU ONLY)

This symbol is known as the "crossed-out" wheellie Bin Symbol. When this symbol is marked on a product or battery, It means that it should not be disposed of with your general household waste. Some chemicals contained within electrical/electronic products or batteries can be harmful to health and the environment. Only dispose of electrical/electronic/battery items in separate collection schemes, which cater for the recovery and recycling of materials contained within. Your co-operation is vital to ensure the success of these schemes and for the protection of the environment.

Page 2

Tech Help Line
UK - 0330 0249 279
Non UK - +44 (0)1952 238 100
Supplied by LUCECO
Stafford Park 1, Telford, Shropshire,
England, TF3 3BD
Visit our website at www.luceco.com

Servicio de asistencia telefónica
UK - 0330 0249 279
Non UK - +34 93 829 55 74
[EU] Luceco SE
C/ Bobinadora 1-5
08302 Mataró Spain
Visite nuestra web en www.luceco.com