

Front

Rear

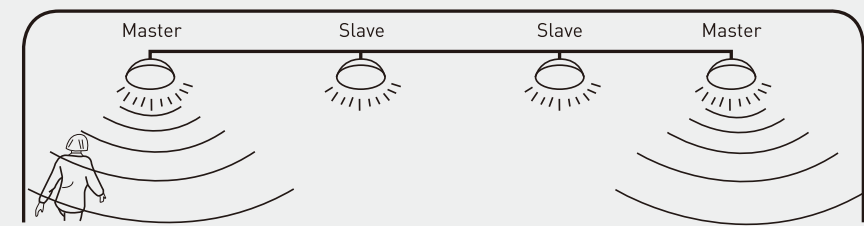


## Installation & Operating Instructions

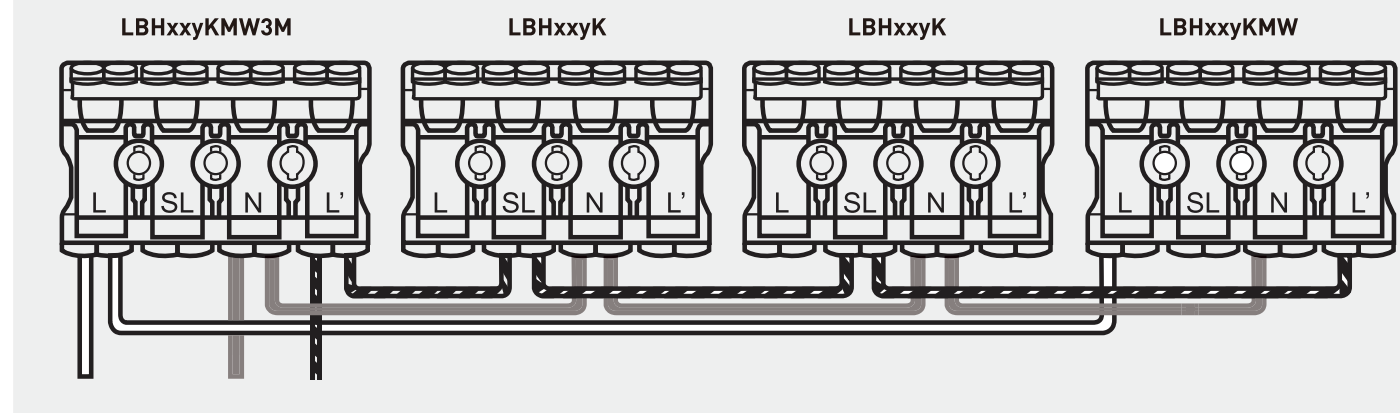
### Master & Slave Function

#### MAXIMUM LOAD OF 9 FITTINGS

DE - Max. 9 Leuchten können angeschlossen werden  
FR - Nombre maximum d'appareils : 9  
ES - Conexión máxima de 9 equipos  
IT - Carico massimo di 9 connessioni



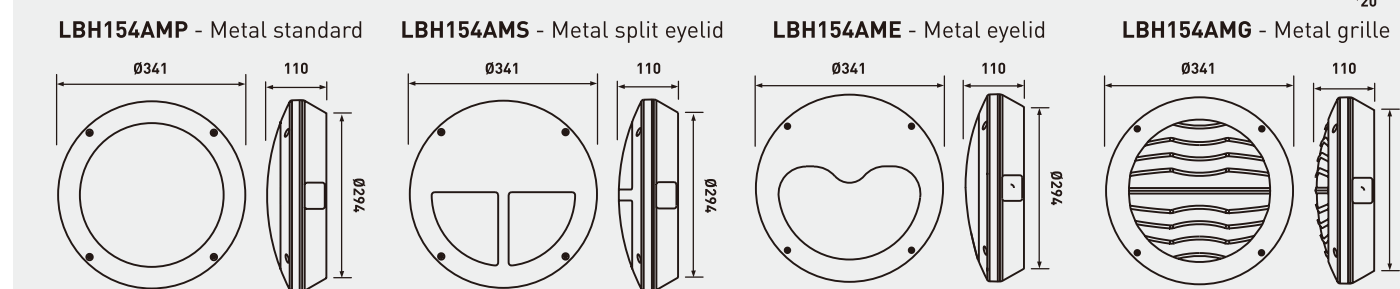
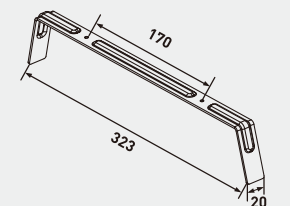
Neutral  
Permanent Live  
Switched Live Out



#### ADDITIONAL INFORMATION - COMPONENT REPLACEMENT

- The luminaire contains no user replaceable components except for the battery
- Battery specification - 2200mAh 3.7V Li-ion

LBHSCRF - Semi Recessing Bracket



## Installation & Operating Instructions

### LED IP65 Atlas Bulkhead

LBHxx3Kyy-03: This Luminaire contains a light source of Class <D>  
LBHxx4Kyy-03: This Luminaire contains a light source of Class <C>



#### ASSEMBLY & INSTALLATION

- Suitable for use with mains voltage of 220-240VAC
- This product must be disconnected before insulation resistance testing of the lighting circuit

#### ZUSAMMENBAU & INSTALLATION

- Verwendbar mit einer Netzspannung von 220-240VAC
- Dieses Produkt muss, vor der Messung des Isolationswiderstandes, von der Stromversorgung getrennt werden.

#### ASSEMBLAGE ET INSTALLATION

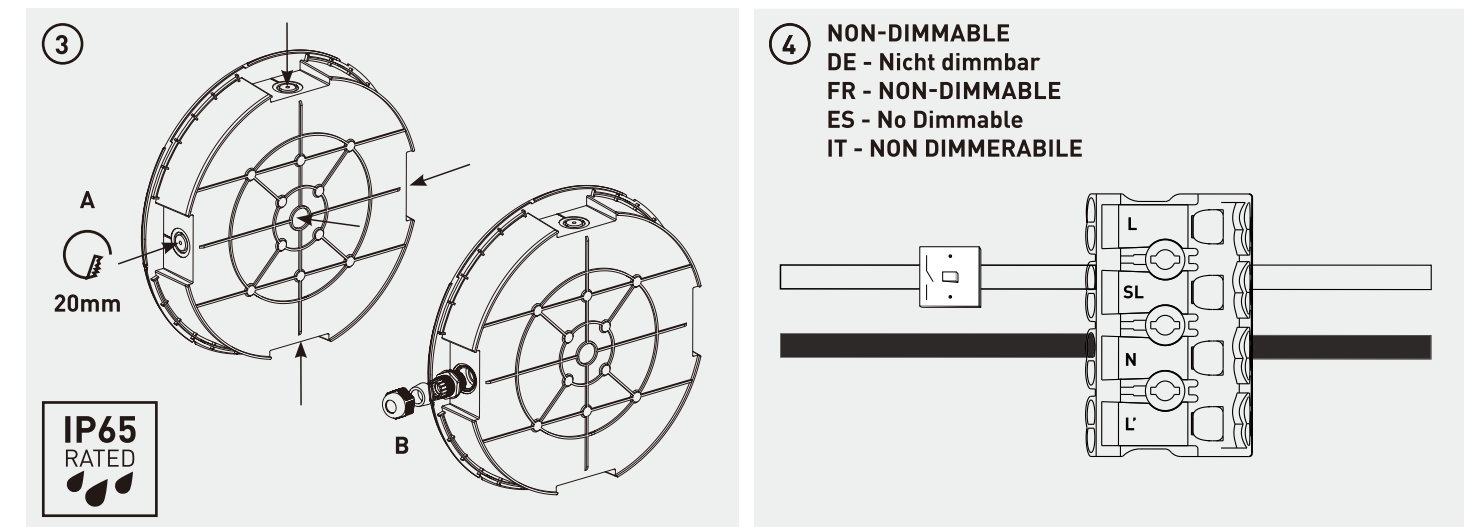
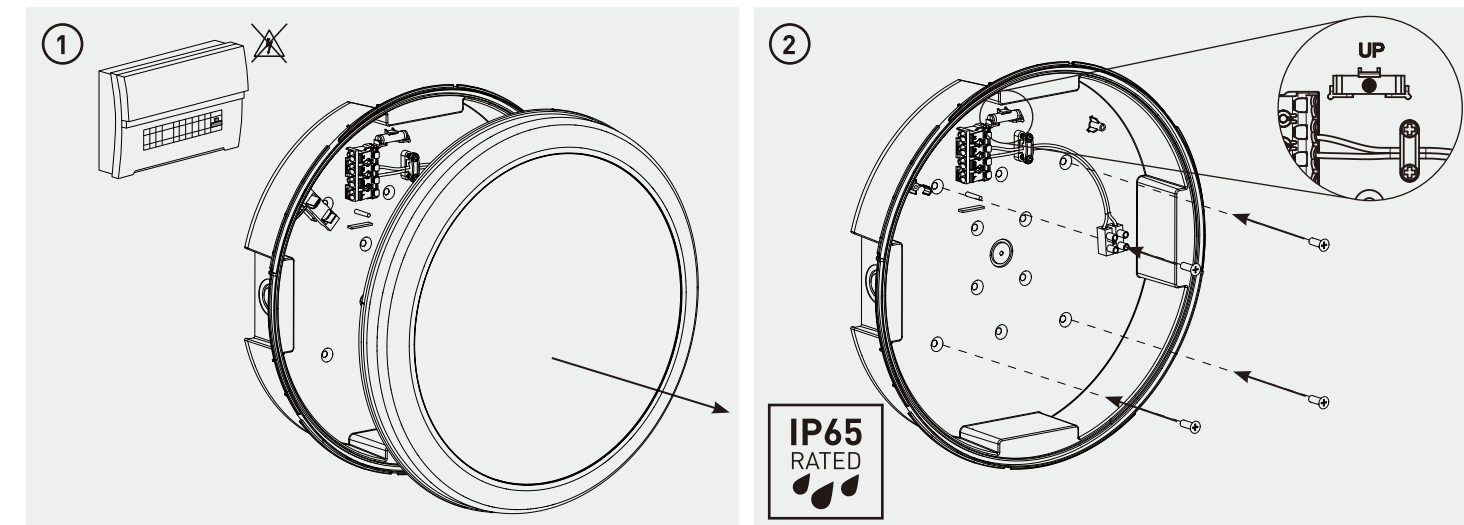
- Ce luminaire ne peut être utilisé qu'avec une tension secteur de 220-240VAC
- Déconnectez le produit avant de tester la résistance d'isolation du circuit.

#### MONTAJE E INSTALACIÓN

- Apto para voltajes de 220-240VAC
- Este producto debe ser desconectado del circuito de iluminación antes del test de aislamiento y resistencia

#### MONTAGGIO E INSTALLAZIONE

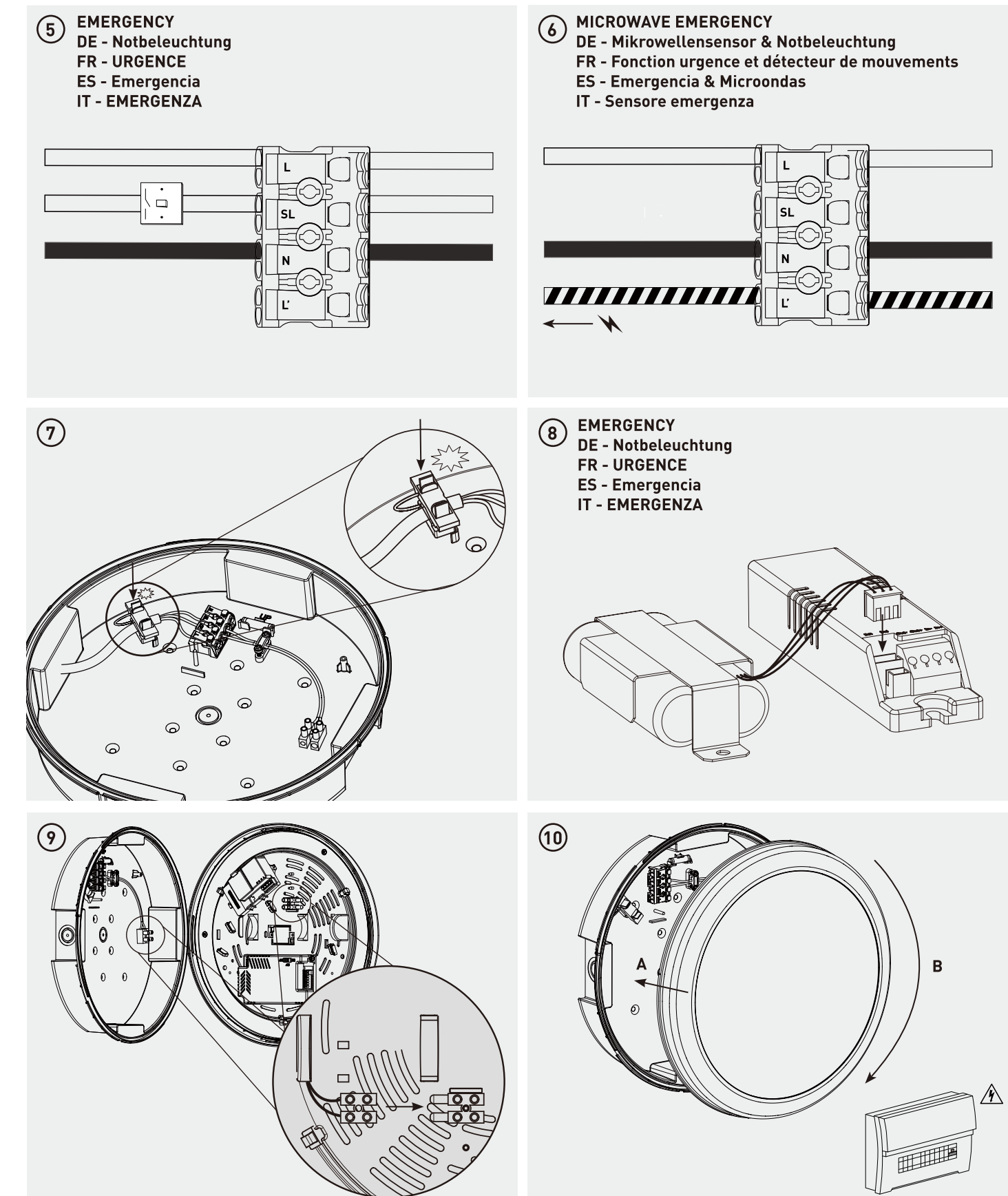
- Adatto per l'uso con tensione di rete a 220-240VAC
- Questo prodotto deve essere scollegato prima del test di resistenza di isolamento del circuito di illuminazione.



Tech Help Line  
UK - 0330 0249 279  
Non UK - +44 (0)1952 238 100  
Supplied by LUCECO  
Stafford Park 1, Telford, Shropshire, England, TF3 3BD  
Visit our website at [www.luceco.com](http://www.luceco.com)



## Installation & Operating Instructions



Tech Help Line  
UK - 0330 0249 279  
Non UK - +44 (0)1952 238 100  
Supplied by LUCECO  
Stafford Park 1, Telford, Shropshire, England, TF3 3BD  
Visit our website at [www.luceco.com](http://www.luceco.com)



## Installation & Operating Instructions

### Integrated Microwave

#### TECHNICAL INFORMATION

- Detection range - up to 10m, suitable for installation height up to 3.5m
- For 10% corridor, set lux to disabled

#### TECHNISCHE INFORMATION

- Erfassungsbereich bis zu 10m, verwendbar für eine Installation in bis zu 3,5m Höhe
- Für den 10% Korridor-Modus, stellen Sie den "Lux" - Einsteller auf "Disabled"

#### INFORMATIONS TECHNIQUES

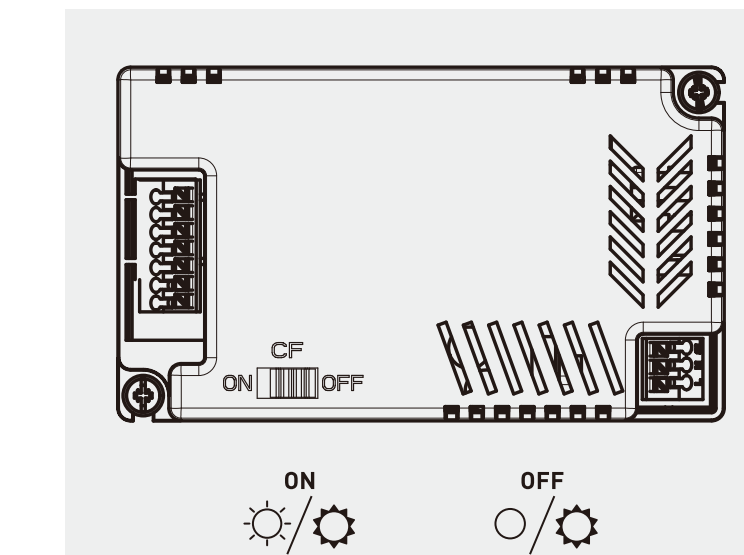
- Détection jusqu'à 10m, pour une installation jusqu'à 3,5m de hauteur.
- Pour utiliser la fonction corridor (flux lumineux maintenu à 10%) enclenchez le mode « Disabled »

#### INFORMACIÓN TÉCNICA

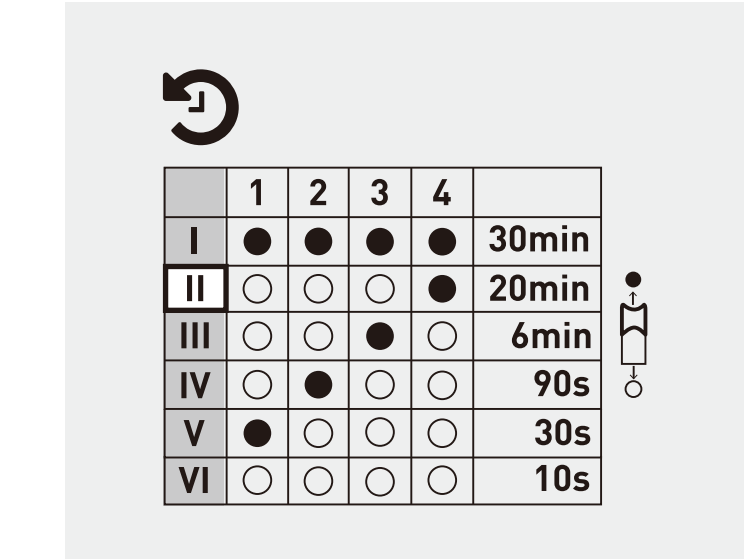
- Rango de detección superior a 10m, apto para instalar en alturas superiores a los 3,5m
- Para 10% iluminación, configurar Lux en deshabilitado

#### INFORMAZIONI TECNICHE

- Campo di rilevamento - fino a 10m, adatto per altezza di installazione fino a 3,5 m.
- Per la funzione corridoio al 10%, impostare lux su disabilitato.



	1	2	3	
I	●	●	●	100%
II	●	○	●	75%
III	○	○	●	50%
IV	○	●	○	25%
V	●	○	○	10%



	1	2	3	4	
I	●	●	●	●	30min
II	○	○	○	●	20min
III	○	○	●	○	6min
IV	○	●	○	○	90s
V	●	○	○	○	30s
VI	○	○	○	○	10s

Tech Help Line  
UK - 0330 0249 279  
Non UK - +44 (0)1952 238 100  
Supplied by LUCECO  
Stafford Park 1, Telford, Shropshire, England, TF3 3BD  
Visit our website at [www.luceco.com](http://www.luceco.com)