

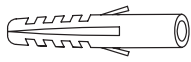
EXTERIOR DECORATIVE STAINLESS STEEL SOLAR WALL LIGHT WITH PIR SENSOR



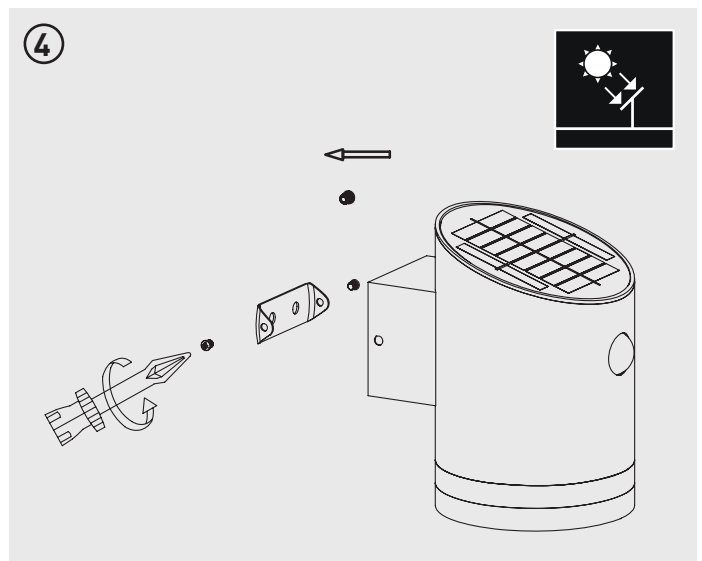
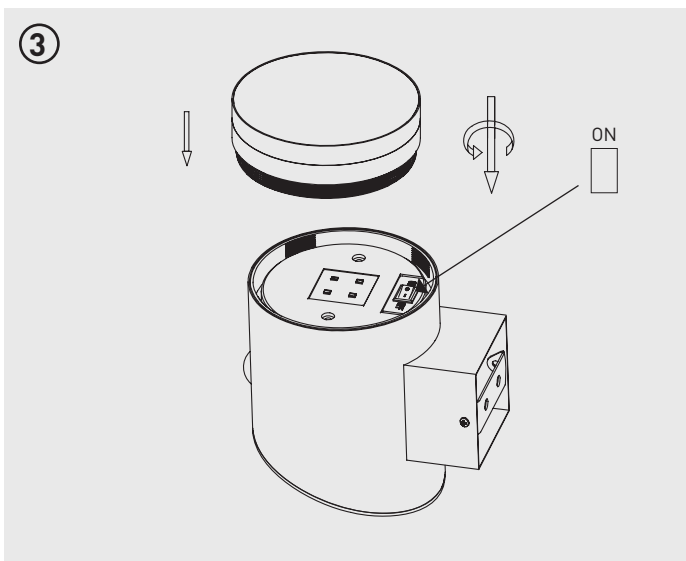
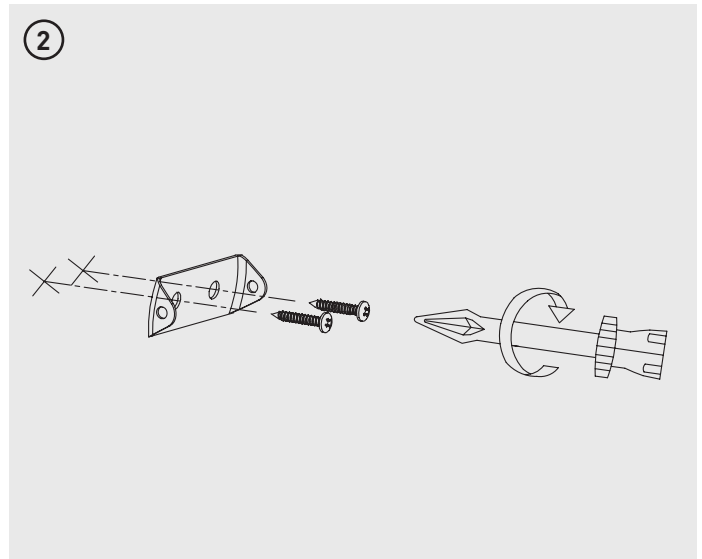
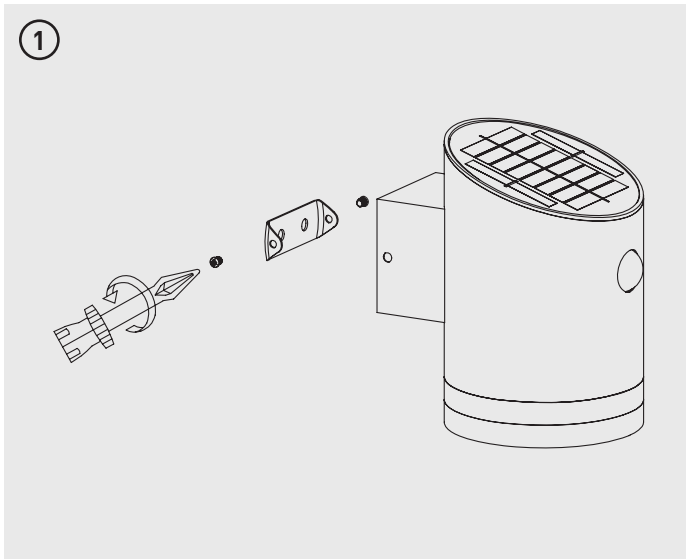
ACCESSORIES:



x2



x2



Tech Help Line

UK - 0330 0249 279

Non UK - +44 (0)1952 238 100

Supplied by LUCECO

Stafford Park 1, Telford, Shropshire,
England, TF3 3BD

Visit our website at www.luceco.com

Kontakt

UK - 0330 0249 279

Non UK - +49 40 89066 878 - 29 (Fax)

Geliefert von Luceco GmbH

Holstenplatz 20b,
22765 Hamburg DEUTSCHLAND

Besuchen Sie uns auf www.luceco.de

Support Technique

UK - 0330 0249 279

Non UK - +33 (0)1 61 10 10 35

Notice fournie par

Luceco SAS France & Belux 3
Rue de Courtalin, Magny Le Hongre 77700
FRANCE & BELUX

Visitez note site Web www.luceco.fr

Servicio de asistencia telefónica

UK - 0330 0249 279

Non UK - +34 93 829 55 74

[EU] Luceco SE

C/ Bobinadora 1-5 08302 Mataró
Barcelona Spain

Visite nuestra web en www.luceco.com

Assistenza tecnica telefonica

UK - 0330 0249 279

Non UK - +39 0434 1696795

Fornito da BG Electrical Ltd Nexus

Italia, Via Amman 10 33170
Pordenone, Italy

Visitate il nostro sito www.luceco.com