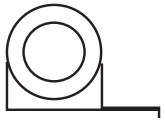


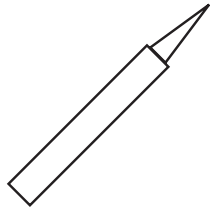
# COUNTRY LIVING

## How to install Country Living Peel, Stick & Seal glass splashbacks

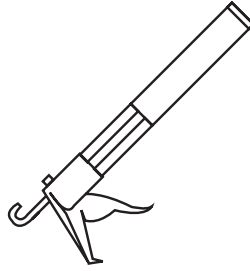
### What you need



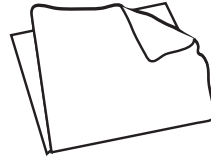
Tape Measure



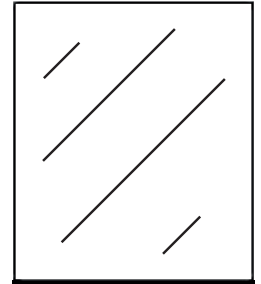
Clear Silicone Sealant  
- Low Modulus Type



Sealant Gun



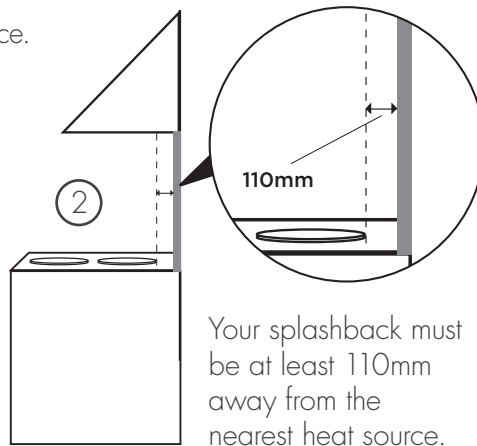
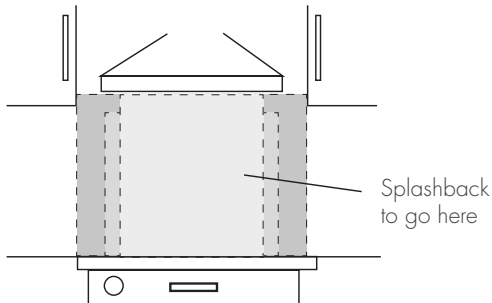
Clean Cloth



Splashback

### Before you start

- ① Check that your splashback fits the space. This will depend on size of splashback ordered and your preferred orientation.



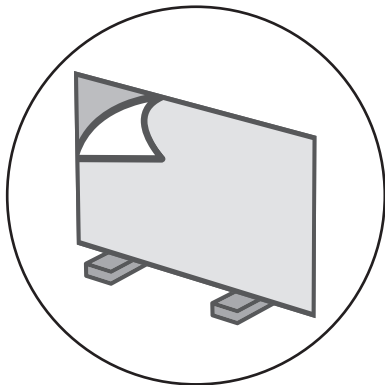
- ③ Check the surface is perfectly flat, non-porous, dry and dust free.

#### Please Note:

- Our splashbacks are made from high quality toughened glass so cannot be cut.
- Once in place our self-adhesive splashbacks cannot be repositioned.

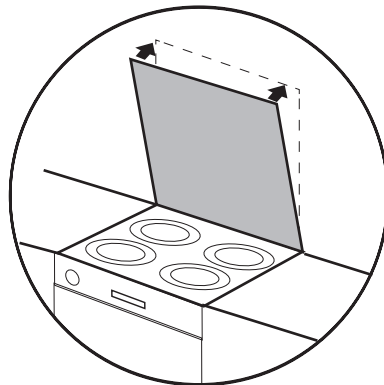
### Easy to apply

- ① PEEL off backing



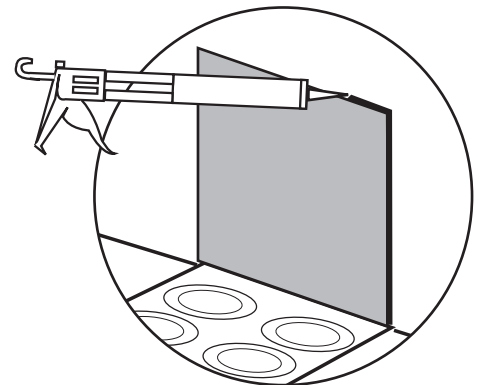
Make sure all corners are well protected from any hard surfaces. Carefully peel off the protective film back. Take care not to remove the self-adhesive backing.

- ② STICK on the wall



Place the bottom edge of the splashback to the rear of the hob, cooker, range or sink. Push it to the wall and apply firm even pressure with a cloth.

- ③ SEAL the edges



Use the Clear Silicone Sealant to seal around all four sides of the splashback. Take care to ensure that the sealant is no more than 2.5mm in thickness.

# COUNTRY LIVING

## Health & Safety

### WARNING!



### SAFE HANDLING OF GLASS

We recommend that glass splashbacks are handled with care and that eye protection and suitable gloves should be worn.

Do not touch the self-adhesive backing once the protective film has been removed as contamination can affect the self-adhesive properties of the backing. We advise that the product is brought to room temperature over a period of 24 hours if it has been subject to very hot or cold conditions beforehand.

### IMPORTANT

Unfitted glass is fragile. Do not place on hard surfaces prior to fitting. Special care should be taken with the corners of the product as impact will cause the glass to shatter.

## Aftercare

- ① Simply use hot water and a mild soap detergent to clean the glass splashback. Do not use abrasive cleaners.
- ② Leave the splashback for at least 45 minutes to cool before wiping as in extreme cases applying a cold cloth to a hot surface can cause the glass to crack/shatter.

*Thank you for purchasing this splashback.*

We'd love to see your transformation. Why not take a photo of the space before and another once your splashback is in place, post on Instagram, and tag us @splashbackuk

For further information and inspiration, visit our website

**SPLASHBACK.CO.UK**

