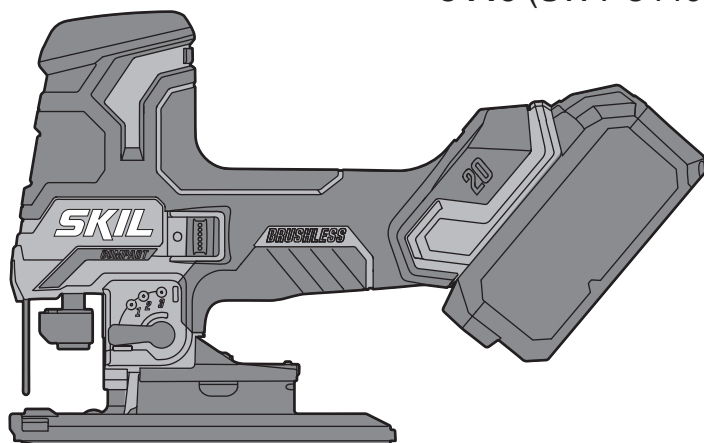


SKIL®

BRUSHLESS COMPACT JIG SAW 3440 (SW1*3440**)



GB	ORIGINAL INSTRUCTIONS	11	UA	ОРИГІНАЛЬНА ІНСТРУКЦІЯ З ЕКСПЛУАТАЦІЇ	72
F	NOTICE ORIGINALE	14	GR	ΠΡΩΤΟΤΥΠΟ ΟΔΗΓΙΩΝ ΧΡΗΣΗΣ	76
D	ORIGINALBETRIEBSANLEITUNG	18	RO	INSTRUCȚIUNI DE FOLOSIRE ORIGINALE	81
NL	ORIGINELE GEBRUIKSAANWIJZING	22	BG	ОРИГИНАЛНО РЪКОВОДСТВО ЗА ЕКСПЛОАТАЦИЯ	85
S	BRUKSANVISNING I ORIGINAL	26	SK	PŮVODNÝ NÁVOD NA POUŽITIE	89
DK	ORIGINAL BRUGSANVISNING	30	HR	ORIGINALNE UPUTE ZA RAD	93
N	ORIGINAL BRUKSANVISNING	33	SRB	ORIGINALNO UPUTSTVO ZA RAD	96
FIN	ALKUPERÄISET OHJEET	37	SLO	IZVIRNA NAVODILA	100
E	MANUAL ORIGINAL	40	EST	ALGUPÄRANE KASUTUSJUHEND	103
P	MANUAL ORIGINAL	44	LV	ORIĢINĀLĀ LIETOŠANAS PAMĀCĪBA	107
I	ISTRUZIONI ORIGINALI	48	LT	ORIGINALI INSTRUKCIJA	111
H	EREDETI HASZNÁLATI UTASÍTÁS	52	MK	ИЗВОРНО УПАТСТВО ЗА РАБОТА	114
CZ	PŮVODNÍM NÁVODEM K POUŽÍVÁNÍ	56	AL	UDHËZIMET ORIGJINALE	119
TR	ORIJINAL İŞLETME TALİMATI	59	AR	دليل الاستعمال	130
PL	INSTRUKCJA ORYGINALNA	63	FA	راهنمای اصلی	128
RU	ПОДЛИННИК РУКОВОДСТВА ПО ЭКСПЛУАТАЦИИ	67			



EAC




www.skil.com



GB	EU Declaration of conformity		We declare under our sole responsibility that the stated products comply with all applicable provisions of the directives and regulations listed below and are in conformity with the following standards. Technical file at:*
	Brushless compact jig saw	Article number	
F	Déclaration de conformité UE		Nous déclarons sous notre propre responsabilité que les produits décrits sont en conformité avec les directives, règlements normatifs et normes énumérés ci-dessous. Dossier technique auprès de:*
	Scie sauteuse compacte sans balais	Numéro d'article	
D	EU-Konformitätserklärung		Wir erklären in alleiniger Verantwortung, dass die genannten Produkte allen einschlägigen Bestimmungen der nachfolgend aufgeführten Richtlinien und Verordnungen entsprechen und mit folgenden Normen übereinstimmen. Technische Unterlagen bei:*
	Bürstenlose Kompakt-Stichsäge	Sachnummer	
NL	EU-conformiteitsverklaring		Wij verklaren op eigen verantwoordelijkheid dat de genoemde producten voldoen aan alle desbetreffende bepalingen van de hierna genoemde richtlijnen en verordeningen en overeenstemmen met de volgende normen. Technisch dossier bij:*
	Borstelloze compacte decoupeerzaag	Productnummer	
S	EU-konformitetsförklaring		Vi förklarar under eget ansvar att de nämnda produkterna uppfyller kraven i alla gällande bestämmelser i de nedan angivna direktiven och förordningarnas och att de stämmer överens med följande normer. Teknisk dokumentation:*
	Borstlös kompakt figursåg	Produktnummer	
DK	EU-overensstemmelseserklæring		Vi erklærer som eneansvarlige, at det beskrevne produkt er i overensstemmelse med alle gældende bestemmelser i følgende direktiver og forordninger og opfylder følgende standarder. Tekniske bilag ved:*
	Børsteløs kompakt stiksav	Typenummer	
N	EU-samsvarserklæring		Vi erklærer under eneansvar at de nevnte produktene er i overensstemmelse med alle relevante bestemmelser i direktivene og forordningene nedenfor og med følgende standarder. Teknisk dokumentasjon hos:*
	Børsteløs kompakt stikksag	Produktnummer	
FIN	EU-vaatimustenmukaisuusvakuutus		Vakuutamme täten, että mainittut tuotteet vastaavat kaikkia seuraavien direktiivien ja asetusten asiaankuuluvia vaatimuksia ja ovat seuraavien standardien vaatimusten mukaisia. Tekniset asiakirjat saatavana:*
	Harjaton kompakti lehtisaha	Tuotenumero	
E	Declaración de conformidad UE		Declaramos bajo nuestra exclusiva responsabilidad, que los productos nombrados cumplen con todas las disposiciones correspondientes de las directivas y los reglamentos mencionados a continuación y están en conformidad con las siguientes normas. Documentos técnicos de:*
	Sierra de calar compacta sin escobillas	Número de artículo	
P	Declaração de conformidade CE		Declaramos sob nossa exclusiva responsabilidade que os produtos mencionados cumprem todas as disposições e os regulamentos indicados e estão em conformidade com as seguintes normas. Documentação técnica pertencente a:*
	Serra tico-tico compacta sem escovas	Número do produto	
I	Dichiarazione di conformità UE		Dichiariamo sotto la nostra piena responsabilità che i prodotti indicati sono conformi a tutte le disposizioni pertinenti delle direttive e dei regolamenti elencati di seguito, nonché alle seguenti normative. Documentazione tecnica presso:*
	Seghetto alternativo compatto brushless	Codice prodotto	
H	EU konformitási nyilatkozat		Egyedüli felelősséggel kijelentjük, hogy a megnevezett termékek megfelelnek az alábbiakban felsorolásra kerülő irányelvek és rendeletek valamennyi idevágó előírásainak és megfelelnek a következő szabványoknak. Műszaki dokumentumok megőrzési pontja:*
	Szénkefe nélküli kompakt szűrőfűrész	Cikkszám	
CZ	EU prohlášení o shodě		Prohlašujeme na výhradní zodpovědnost, že uvedený výrobek splňuje všechna příslušná ustanovení níže uvedených směrnic a nařízení a je v souladu s následujícími normami. Technické podklady u:*
	Bezkontaktní kompaktní přímočará píla	Objednací číslo	
TR	AB Uygunluk beyanı		Tek sorumlu olarak, tanımlanan ürünün aşağıdaki yönetmelik ve direktiflerin geçerli bütün hükümlerine ve aşağıdaki standartlara uygun olduğunu beyan ederiz. Teknik belgelerin bulunduğu yer:*
	Fırçasız kompakt dekupaj testeresi	Ürün kodu	
PL	Deklaracja zgodności UE		Oświadczamy z pełną odpowiedzialnością, że niniejsze produkty odpowiadają wszystkim wymaganiom poniżej wyszczególnionych dyrektyw i rozporządzeń, oraz że są zgodne z następującymi normami. Dokumentacja techniczna:*
	Kompaktowa wyrzynarka bezszczotkowa	Numer katalogowy	
RU	Заявление о соответствии ЕС		Мы заявляем под нашу единоличную ответственность, что названные продукты соответствуют всем действующим предписаниям нижеуказанных директив и распоряжений, а также нижеуказанных норм. Техническая документация хранится у:*
	Бесщеточный компактный лобзик	Товарный номер	
UA	Заява про відповідність ЄС		Ми заявляємо під нашу одноособову відповідальність, що названі вироби відповідають усім чинним положенням нижчеозначених директив і розпоряджень, а також нижчеозначеним нормам. Технічна документація зберігається у:*
	Компактний електричний лобзик із безщітковим мотором	Товарний номер	

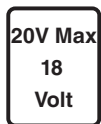
<p>(GR) Δήλωση πιστότητας EE Κόμπакт σέγα χωρίς ψήκτρес</p>	<p>Αριθμός ευρετηρίου</p>	<p>Δηλώνουμε με αποκλειστική μας ευθύνη, ότι τα αναφερόμενα προϊόντα αντιστοιχούν σε όλες τις σχετικές διατάξεις των πιο κάτω αναφερόμενων οδηγιών και κανονισμών και ταυτίζονται με τα ακόλουθα πρότυπα. Τεχνικά έγγραφα στη:*</p>
<p>(RO) Declarație de conformitate UE Ferăstrău pendular compact fără perii</p>	<p>Număr de identificare</p>	<p>Declarăm pe proprie răspundere că produsele menționate corespund tuturor dispozițiilor relevante ale directivelor și reglementărilor enumerate în cele ce urmează și sunt în conformitate cu următoarele standarde. Documentație tehnică la:*</p>
<p>(BG) ЕС декларация за съответствие Безщетков компактен прободен трион</p>	<p>Каталожен номер</p>	<p>С пълна отговорност ние декларираме, че посочените продукти отговарят на всички валидни изисквания на директивите и разпоредбите по-долу и съответства на следните стандарти. Техническа документация при:*</p>
<p>(SK) EU vyhlásenie o zhode Bezkontaktná kompaktná priamočiara píla</p>	<p>Vecné číslo</p>	<p>Vyhlasujeme na výhradnú zodpovednosť, že uvedený výrobok spĺňa všetky príslušné ustanovenia nižšie uvedených smerníc a nariadení a je v súlade s nasledujúcimi normami. Technické podklady má spoločnosť:*</p>
<p>(HR) EU izjava o sukladnosti Kompaktna ubodna pila bez četkica</p>	<p>Kataloški broj</p>	<p>Pod punom odgovornošću izjavljujemo da navedeni proizvodi odgovaraju svim relevantnim odredbama direktiva i propisima navedenima u nastavku i da su sukladni sa sljedećim normama. Tehnička dokumentacija se može dobiti kod:*</p>
<p>(SRB) EU-izjava o usaglašenosti Kompaktna ubodna testera bez četkica</p>	<p>Broj predmeta</p>	<p>Na sopstvenu odgovornost izjavljujemo, da navedeni proizvodi odgovaraju svim dotičnim odredbama naknadno navedenih smernica u uredbama i da su skladu sa sledećim standardima. Tehnička dokumentacija kod:*</p>
<p>(SLO) Izjava o skladnosti ES Kompaktna vbodna žaga z brezkrtačnim motorjem</p>	<p>Številka artikla</p>	<p>Izjavljamo pod izključno odgovornostjo, da je omenjen izdelek v skladu z vsemi relevantnimi določili direktiv in uredb ter ustreza naslednjim standardom. Tehnična dokumentacija pri:*</p>
<p>(EST) EL-vastavusdeklaratsioon Harjadeta kompaktnе tikksaag</p>	<p>Tootenumber</p>	<p>Kinnitame ainuvastutajadena, et nimetatud tooted vastavad järgnevalt loetletud direktiivide ja määruste kõikidele asjaomastele nõuetele ja on kooskõlas järgmiste normidega. Tehnilised dokumendid saadaval:*</p>
<p>(LV) Deklarācija par atbilstību EK standartiem Kompakts bezkontakta finierzāģis</p>	<p>Izstrādājuma numurs</p>	<p>Mēs ar pilnu atbildību paziņojam, ka šeit aplūkotie izstrādājumi atbilst visiem tālāk minētajās direktīvās un rīkojumos ietvertajām saistošajām nostādņēm, kā arī sekojošiem standartiem. Tehniškā dokumentācija no:*</p>
<p>(LT) ES atitikties deklaracija Kompaktiškas siaurapjūklis su bėsepečiu varikliu</p>	<p>Gaminio numeris</p>	<p>Atsakingai pareiškiame, kad išvardyti gaminiai atitinka visus privalomus žemiau nurodytų direktyvų ir reglamentų reikalavimus ir šiuos standartus. Techninė dokumentacija saugoma:*</p>
<p>(MK) EU-Изјава за сообразност Компактна убодна пила без четки</p>	<p>Број на артикл</p>	<p>Со целосна одговорност изјавуваме, дека опишаните производи се во согласност со сите релевантни одредби на следните регулативи и прописи и се во согласност со следните норми. Техничка документација кај:*</p>
<p>(AL) EU Deklarata e konformitetit Sharrė sekė kompakte pa karbonçhina</p>	<p>Numri i nenit</p>	<p>Ne deklarojmė me pėrgjegjėsini tonė tėt vetme se produktet e paraçitura janė nė pėrputhje me tėt gjitha dispozitat e zbatueshme tėt direktivave dhe rregulloreve tėt listuara mėt poshtė dhe janė nė pėrputhje me standardet si mėt poshtė. Dosja teknike nė:*</p>
<p>3440</p>	<p>SW1*3440**</p>	<p>2006/42/EC 2014/30/EU 2011/65/EU</p> <p>EN 62841-1:2015 EN 62841-2-11:2016 + A1:2020</p> <p>EN 55014-1:2021 EN 55014-2:2021</p> <p>EN 63000:2018</p> <p>SKIL® *Skil BV Rithmeesterpark 22 A1 4838 GZ Breda The Netherlands</p> <p>Olaf Dijkgraaf Approval Manager</p>  <p>Skil BV, Rithmeesterpark 22 A1, 4838 GZ Breda, NL 19.10.2022</p>



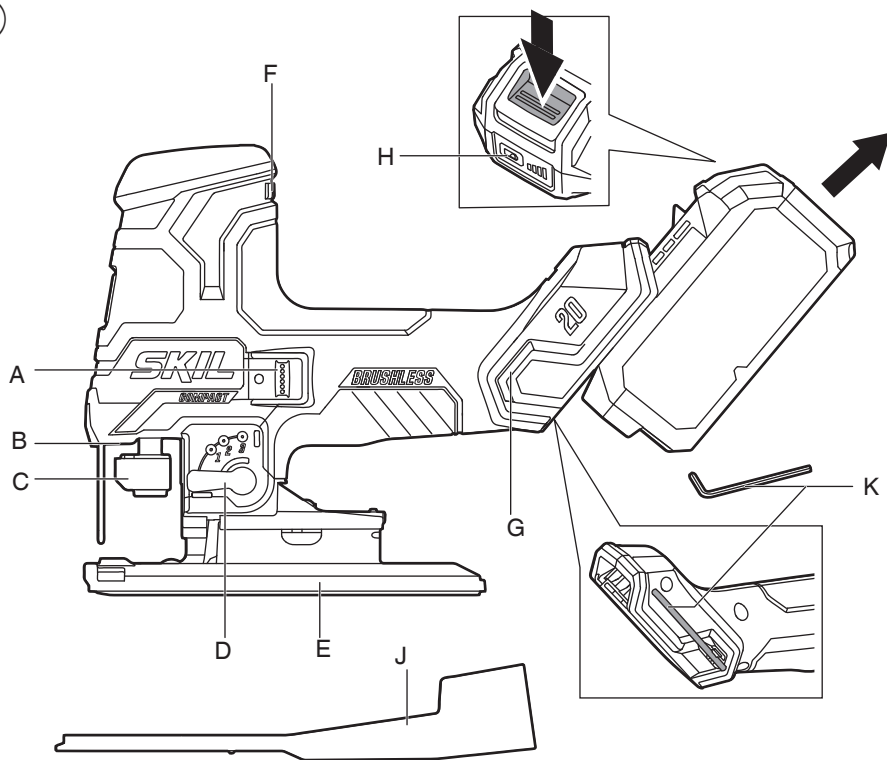
Declaration of Conformity		We declare under our sole responsibility that the stated products comply with all applicable provisions of the directives and regulations listed below and are in conformity with the following standards
Brushless compact jig saw	Article number	Technical file at: Chervon Europe Ltd., 34 Bridge Street, Reading, RG1 2LU, United Kingdom
3440	SW1*3440**	Supply of Machinery (Safety) Regulations 2008 (SI 2008/1597) Electromagnetic Compatibility Regulations 2016 (SI 2016/1091) The Restriction of the Use of Certain Hazardous Substances in Electrical and Electronic Equipment Regulations 2012 (SI 2012/3032) EN 62841-1:2015 EN 62841-2-11:2016 + A1:2020 EN 55014-1:2021 EN 55014-2:2021 IEC EN 63000:2018
		SKIL ® Chervon Europe Ltd., 34 Bridge Street, Reading, RG1 2LU, United Kingdom, as authorized representative (in terms of above regulations) acting on behalf of Skil BV, Rithmeesterpark 22 A1, 4838GZ Breda, The Netherlands
		James McCrory Technical Service Manager  Place of issue: Reading Date of issue: 19/10/2022

1

3440



2



3



4



5

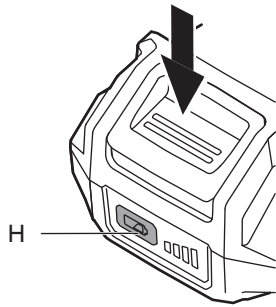


max. 50 °C

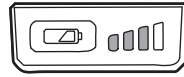
6



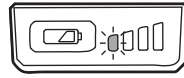
7



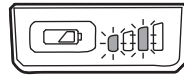
7 a



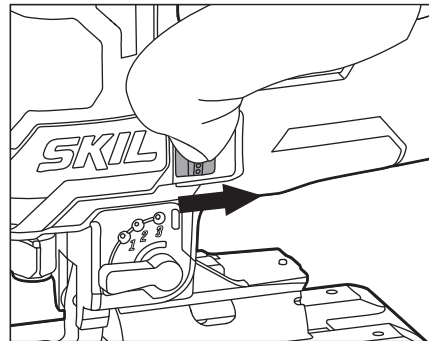
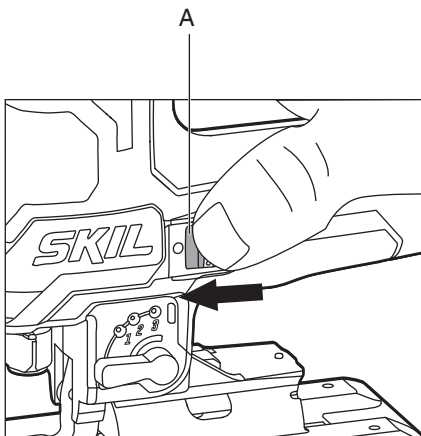
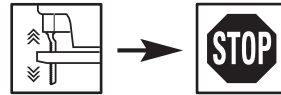
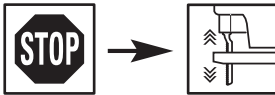
7 b



7 c



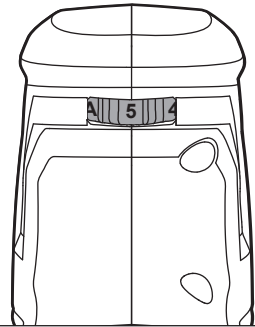
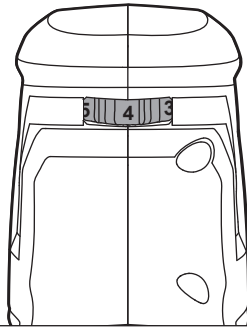
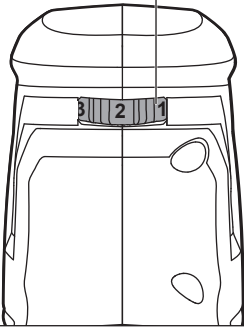
8



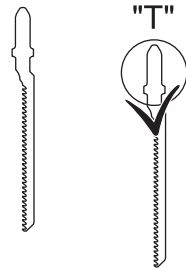
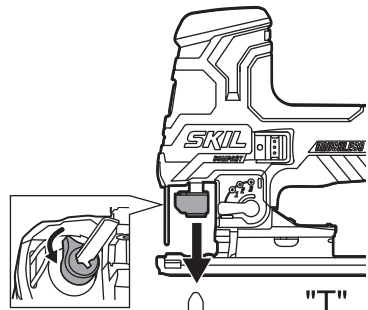
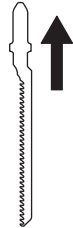
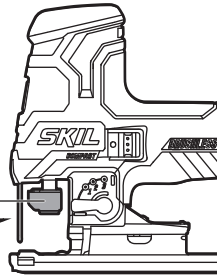
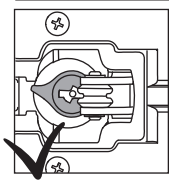
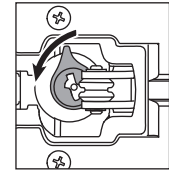
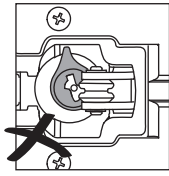
9



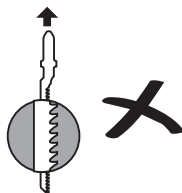
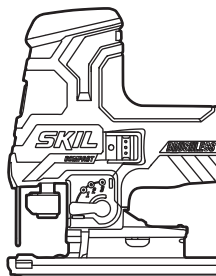
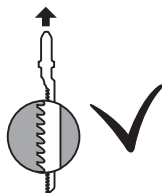
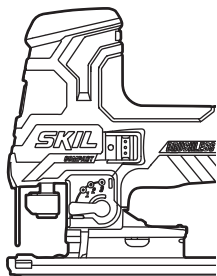
F



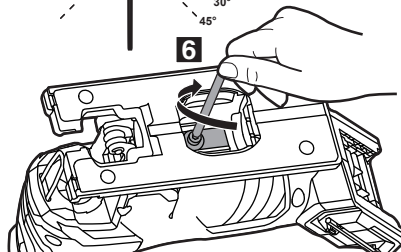
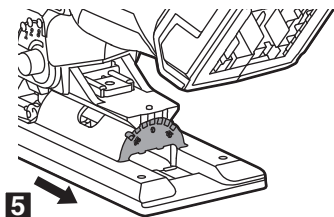
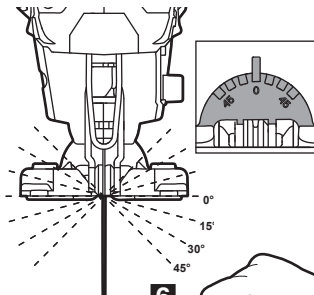
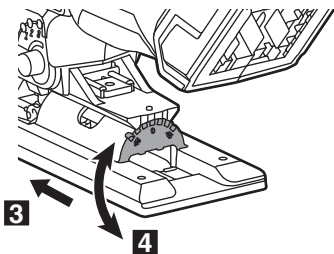
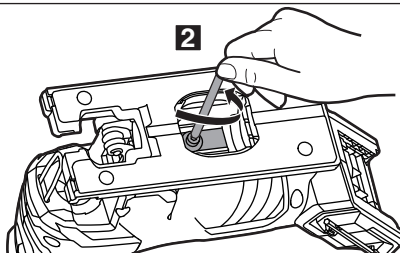
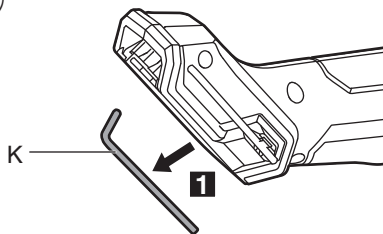
10



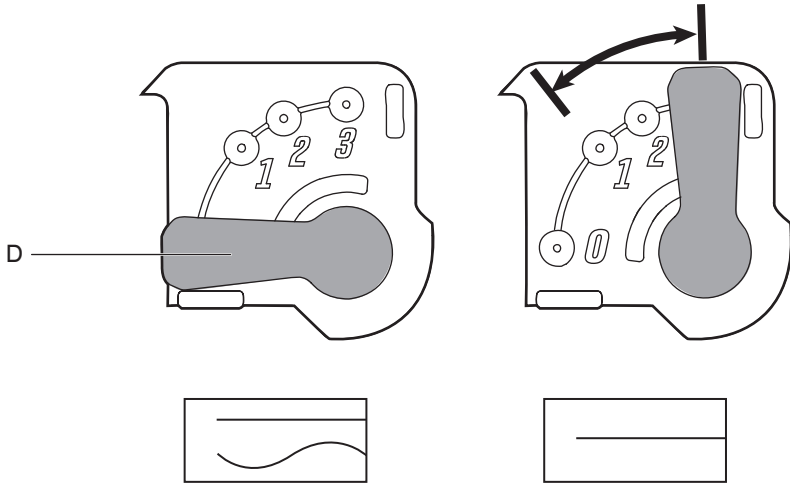
11



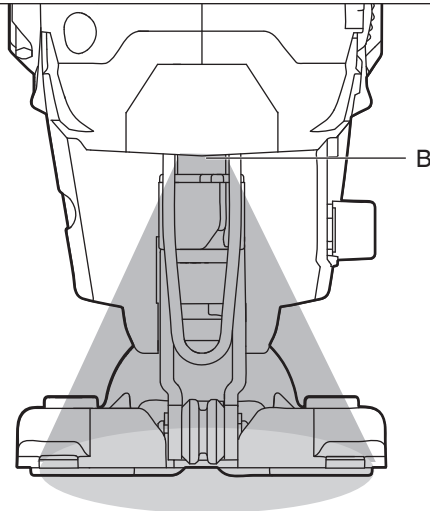
12



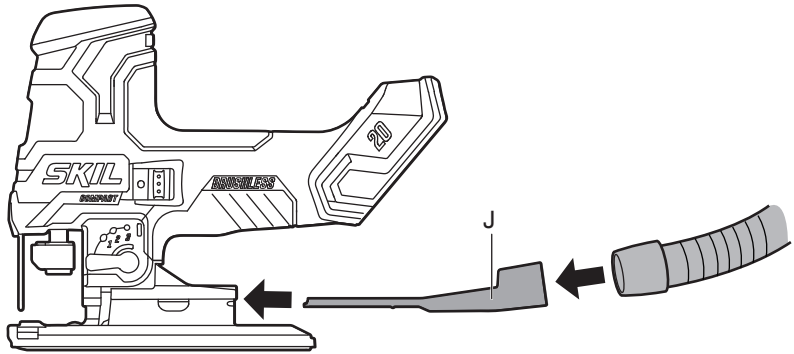
13



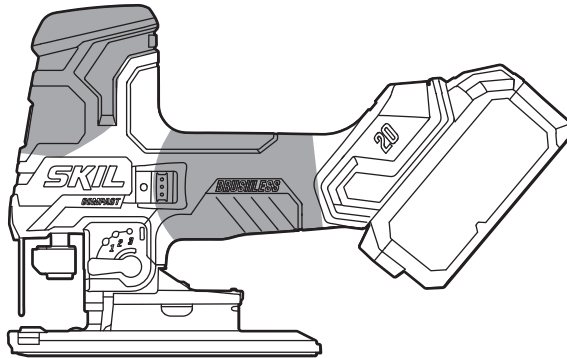
14



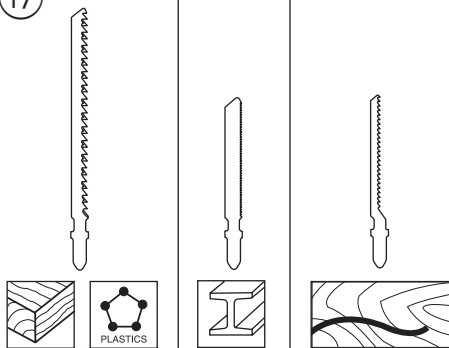
15



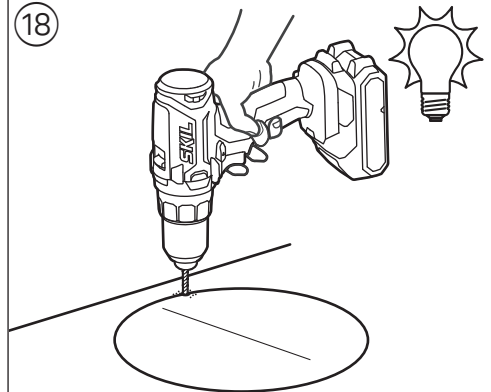
16



17



18



ACCESSORIES



WWW.SKIL.COM

Brushless compact jig saw

3440

INTRODUCTION

- This tool is intended for making cut-throughs and cut-outs in wood, plastic, metal and is suitable for straight and curved cuts with mitre angles to 45°
- This tool is not intended for professional use
- When parts are missing or damaged, please contact your dealer
- **Read this instruction manual carefully before use and save it for future reference ③**
- **Pay special attention to the safety instructions and warnings; failure to follow these may result in serious injury**

TECHNICAL DATA ①

TOOL ELEMENTS ②

- A On/off switch
- B LED-light
- C Tool-less blade clamp
- D Orbital control lever
- E Foot plate
- F Wheel for adjusting sawing speed
- G Ventilation slots
- H Battery level indicator button
- J Vacuum cleaner adapter
- K Hex key

SAFETY

GENERAL POWER TOOL SAFETY WARNINGS

⚠ WARNING Read all safety warnings, instructions, illustrations and specifications provided with this power tool. Failure to follow all instructions listed below may result in electric shock, fire and/or serious injury.

Save all warnings and instructions for future reference.

The term "power tool" in the warnings refers to your mains-operated (corded) power tool or battery-operated (cordless) power tool.

1) WORK AREA SAFETY

- a) **Keep work area clean and well lit.** Cluttered or dark areas invite accidents.
- b) **Do not operate power tools in explosive atmospheres, such as in the presence of flammable liquids, gases or dust.** Power tools create sparks which may ignite the dust or fumes.
- c) **Keep children and bystanders away while operating a power tool.** Distractions can cause you to lose control.

2) ELECTRICAL SAFETY

- a) **Power tool plugs must match the outlet. Never modify the plug in any way. Do not use any adapter plugs with earthed (grounded) power tools.**

Unmodified plugs and matching outlets will reduce risk of electric shock.

- b) **Avoid body contact with earthed or grounded surfaces, such as pipes, radiators, ranges and refrigerators.** There is an increased risk of electric shock if your body is earthed or grounded.
- c) **Do not expose power tools to rain or wet conditions.** Water entering a power tool will increase the risk of electric shock.
- d) **Do not abuse the cord. Never use the cord for carrying, pulling or unplugging the power tool. Keep cord away from heat, oil, sharp edges or moving parts.** Damaged or entangled cords increased the risk of electric shock.
- e) **When operating a power tool outdoors, use an extension cord suitable for outdoor use.** Use of a cord suitable for outdoor use reduces the risk of electric shock.
- f) **If operating a power tool in a damp location is unavoidable, use a residual current device (RCD) protected supply.** Use of an RCD reduces the risk of electric shock.

3) PERSONAL SAFETY

- a) **Stay alert, watch what you are doing and use common sense when operating a power tool. Do not use a power tool while you are tired or under the influence of drugs, alcohol or medication.** A moment of inattention while operating power tools may result in serious personal injury.
 - b) **Use personal protective equipment. Always wear eye protection.** Protective equipment such as dust mask, non-skid safety shoes, hard hat or hearing protection used for appropriate conditions will reduce personal injuries.
 - c) **Prevent unintentional starting. Ensure the switch is in the off-position before connecting to power source and/or battery pack, picking up or carrying the tool.** Carrying power tools with your finger on the switch or energizing power tools that have the switch on invites accidents.
 - d) **Remove any adjusting key or wrench before turning the power tool on.** A wrench or a key left attached to a rotating part of the power tool may result in personal injury.
 - e) **Do not overreach. Keep proper footing and balance at all times.** This enables better control of the power tool in unexpected situations.
 - f) **Dress properly. Do not wear loose clothing or jewelry. Keep your hair and clothing away from moving parts.** Loose clothes, jewelry or long hair can be caught in moving parts.
 - g) **If devices are provided for the connection of dust extraction and collection facilities, ensure these are connected and properly used.** Use of dust collection can reduce dust-related hazards.
 - h) **Do not let familiarity gained from frequent use of tools allow you to become complacent and ignore tool safety principles.** A careless action can cause severe injury within a fraction of a second.
- #### 4) POWER TOOL USE AND CARE
- a) **Do not force the power tool. Use the correct power tool for your application.** The correct power tool will do the job better and safer at the rate for which it was

designed.

- b) **Do not use the power tool if the switch does not turn it on and off.** Any power tool that cannot be controlled with the switch is dangerous and must be repaired.
 - c) **Disconnect the plug from the power source and/ or remove the battery pack, if detachable, from the power tool before making any adjustments, changing accessories, or storing power tools.** Such preventive safety measures reduce the risk of starting the power tool accidentally.
 - d) **Store idle power tools out of the reach of children and do not allow persons unfamiliar with the power tool or these instructions to operate the power tool.** Power tools are dangerous in the hands of untrained users.
 - e) **Maintain power tools and accessories. Check for misalignment or binding of moving parts, breakage of parts and any other condition that may affect the power tool's operation. If damaged, have the power tool repaired before use.** Many accidents are caused by poorly maintained power tools.
 - f) **Keep cutting tools sharp and clean.** Properly maintained cutting tools with sharp cutting edges are less likely to bind and are easier to control.
 - g) **Use the power tool, accessories and tool bits etc. in accordance with these instructions, taking into account the working conditions and the work to be performed.** Use of the power tool for operations different from those intended could result in a hazardous situation.
 - h) **Keep handles and grasping surfaces dry, clean and free from oil and grease.** Slippery handles and grasping surfaces do not allow for safe handling and control of the tool in unexpected situations.
- 5) **BATTERY TOOL USE AND CARE**
- a) **Recharge only with the charger specified by the manufacturer.** A charger that is suitable for one type of battery pack may create a risk of fire when used with another battery pack.
 - b) **Use power tools only with specifically designated battery packs.** Use of any other battery packs may create a risk of injury and fire.
 - c) **When battery pack is not in use, keep it away from other metal objects, like paper clips, coins, keys, nails, screws or other small metal objects, that can make a connection from one terminal to another.** Shorting the battery terminals together may cause burns or a fire.
 - d) **Under abusive conditions, liquid may be ejected from the battery; avoid contact. If contact accidentally occurs, flush with water. If liquid contacts eyes, additionally seek medical help.** Liquid ejected from the battery may cause irritation or burns.
 - e) **Do not use a battery pack or tool that is damaged or modified.** Damaged or modified batteries may exhibit unpredictable behavior resulting in fire, explosion or risk of injury.
 - f) **Do not expose a battery pack or tool to fire or excessive temperature.** Exposure to fire or temperature above 130°C may cause explosion.
 - g) **Follow all charging instructions and do not charge the battery pack or tool outside the temperature range specified in the instructions.** Charging improperly or at temperatures outside the specified range

may damage the battery and increase the risk of fire.

6) SERVICE

- a) **Have your power tool serviced by a qualified repair person using only identical replacement parts.** This will ensure that the safety of the power tool is maintained.
- b) **Never service damaged battery packs.** Service of battery packs should only be performed by the manufacturer or authorized service providers.

SAFETY INSTRUCTIONS FOR CORDLESS JIG SAW

- **Hold the power tool by insulated gripping surfaces, when performing an operation where the fastener may contact hidden wiring** (fastener contacting a "live" wire may make exposed metal parts of the power tool "live" and could give the operator an electric shock)
- **Use clamps or another practical way to secure and support the workpiece to a stable platform** (holding the workpiece by hand or against your body leaves it unstable and may lead to loss of control)

GENERAL

- **Do not work materials containing asbestos** (asbestos is considered carcinogenic)
- This tool should not be used by people under the age of 16 years
- The noise level when working can exceed 85 dB(A); wear ear protection
- Wear protective goggles when working with materials which produce chips
- Dust from material such as paint containing lead, some wood species, minerals and metal may be harmful (contact with or inhalation of the dust may cause allergic reactions and/or respiratory diseases to the operator or bystanders); **wear a dust mask and work with a dust extraction device when connectable**
- Certain kinds of dust are classified as carcinogenic (such as oak and beech dust) especially in conjunction with additives for wood conditioning; **wear a dust mask and work with a dust extraction device when connectable**
- Follow the dust-related national requirements for the materials you want to work with
- Remove battery from tool before making any adjustments or changing accessories

BEFORE USE

- Remove all obstacles on top of as well as underneath the cutting path before you start cutting
- Avoid damage that can be caused by screws, nails and other elements in your workpiece; remove them before you start working

DURING USE

- Keep hands away from the saw blade while the tool is in use

ACCESSORIES

- SKIL can assure flawless functioning of the tool only when original accessories are used
- Do not use a saw blade which is cracked, deformed or dull

AFTER USE

- When you put away the tool, switch off the motor and ensure that all moving parts have come to a complete standstill

BATTERIES

- **The battery supplied is partially charged** (to ensure full capacity of the battery, completely charge the battery

in the battery charger before using your power tool for the first time).

- **Only use the following batteries and chargers with this tool**
 - SKIL battery: BR1*31****
 - SKIL charger: CR1*31****
- Do not use the battery when damaged; it should be replaced immediately
- Do not disassemble the battery
- Do not expose tool/battery to rain
- Permitted ambient temperature (tool/charger/battery):
 - when charging 4...40°C
 - during operation -20...+50°C
 - during storage -20...+50°C

EXPLANATION OF SYMBOLS ON TOOL/BATTERY

- ③ Read the instruction manual before use
- ④ Batteries may explode when disposed of in fire, so do not burn battery for any reason
- ⑤ Store tool/charger/battery in locations where temperature will not exceed 50°C
- ⑥ Do not dispose of electric tools and batteries together with household waste material

USE

- Charging battery
 - ! **read the safety warnings and instructions provided with the charger**
- Removing/installing the battery ②
- Battery level indicator ⑦
 - press the battery level indicator button H to show the current battery level ⑦a
 - ! **when the lowest level of the battery indicator starts flashing after pressing button H ⑦b, the battery is empty**
 - ! **when 2 levels of the battery indicator start flashing after pressing button H ⑦c, the battery is not within the allowable operating temperature range**
- LED-light ⑭
 - LED-light B automatically lights on when activating the on/off switch.
 - ! **when LED worklight starts flashing, the battery protection is activated (see below)**
- Battery protection
 - The tool is suddenly being switched off or prevented from being switched on, when
 - **the load is too high** --> remove load and restart
 - **the battery temperature is not within the allowable operating temperature range of -20 to +50°C** --> 2 levels of the battery level indicator start flashing when pressing button H ⑦c; wait until battery has returned within the allowable operating temperature range
 - **the battery is nearly empty (to protect against deep discharge)** --> a low battery level or flashing low battery level ⑦b is shown by the battery level indicator when pressing button H; charge battery
 - ! **do not continue to press the on/off switch after the tool is switched off automatically; battery may be damaged**
- On/off ③
 - switch on/off the tool by pushing switch A in "I/O" position
- Speed control ⑨
 - with dial wheel F the desired sawing speed can be

selected

The optimal working speed depends on the material and can be determined with practical trials
With dial wheel F set to "A" the no load speed is reduced for controlled starting

- when sawing, the speed will automatically increase to full speed

! **the tool will only return to the reduced no load speed after restarting**

- Changing saw blade ⑩
 - ! **remove battery from tool before making any adjustments or changing accessories**
 - ! **insert blade to full depth with teeth facing forward**

⑪

- tool accepts most commonly available T-shank blades

⑩

- to eject the blade only operate the lever of blade clamp C (no need to touch the blade)

- Sawing at 45° ⑫

- Selecting sawing mode ⑬

Use lever D for adjusting the orbital action from accurate cutting (=0) to fast cutting (=3)

- 1 setting ("0") for accurate cutting in all materials, straight + curved

- 3 settings for fast cutting in different materials, straight cuts only

1 = aluminum, plastic

2 = hard wood

3 = soft wood

! **always select "0" when sawing splinter-sensitive material**

- Dust suction ⑮

- connect vacuum cleaner adapter J to foot plate

- connect vacuum cleaner hose to vacuum cleaner adapter J

! **do not use vacuum cleaner when cutting metal**

- Operating the tool

- before switching on the tool, ensure that front end of footplate rests flat on the workpiece

- hold tool firmly with both hands, so you will have full control of the tool at all times

! **while working, always hold the tool at the grey-coloured grip area(s) ⑯**

- ensure that complete surface of footplate rests firmly on the workpiece

! **ensure that the blade has come to a complete standstill, before you lift the tool from the workpiece**

- keep ventilation slots G ② uncovered

APPLICATION ADVICE

- Use the appropriate saw blades ⑰
 - ! **tool accepts most commonly available T-shank blades**
- When cutting metals, lubricate saw blade regularly with oil
- Pre-drill a hole before making cut-outs ⑱
- Splinter-free cutting
 - cover cutting-line with several layers of wide tape before cutting
 - always face the good side of the workpiece down
- For more information see www.skil.com

MAINTENANCE/SERVICE

- This tool is not intended for professional use
- Always keep tool clean (especially ventilation slots G②)
- **! remove battery from tool before cleaning**
- If the tool should fail despite the care taken in manufacturing and testing procedures, repair should be carried out by an after-sales service centre for SKIL power tools
 - send the tool **undismantled** together with proof of purchase to your dealer or the nearest SKIL service station (addresses as well as the service diagram of the tool are listed on www.skil.com)
 - Be aware that damage due to overload or improper handling of the tool will be excluded from the warranty (for the SKIL warranty conditions see www.skil.com or ask your dealer)

ENVIRONMENT

Only for EU countries

- Do not dispose of electric tools, accessories and packaging together with household waste material
 - in observance of European Directive 2012/19/EC on waste of electric and electronic equipment and its implementation in accordance with national law, electric tools that have reached the end of their life must be collected separately and returned to an environmentally compatible recycling facility
 - symbol ⑥ will remind you of this when the need for disposing occurs

! prior to disposal protect battery terminals with heavy tape to prevent short-circuit

Only for UK

- Do not dispose of electric tools, accessories and packaging together with household waste material
 - in observance of on Waste Electric and Electronic Equipment Regulations 2013 (SI 2013/3113), electric tools that have reached the end of their life must be collected separately and returned to an environmentally compatible recycling facility
 - symbol ⑥ will remind you of this when the need for disposing occurs

! prior to disposal protect battery terminals with heavy tape to prevent short-circuit

NOISE / VIBRATION

- Measured in accordance with EN62841 the sound pressure level of this tool is 87 dB(A) and the sound power level 98 dB(A) (uncertainty K = 3 dB), and the vibration* (triax vector sum; uncertainty K = 1,5 m/s²)
 - * cutting board 7.68 m/s²
 - * cutting sheet metal 6.08 m/s²
- The vibration emission level has been measured in accordance with a standardized test given in EN62841; it may be used to compare one tool with another and as a preliminary assessment of exposure to vibration when using the tool for the applications mentioned
 - using the tool for different applications, or with different or poorly maintained accessories, may significantly **increase** the exposure level
 - the times when the tool is switched off or when it is running but not actually doing the job, may significantly **reduce** the exposure level

! protect yourself against the effects of vibration by maintaining the tool and its accessories, keeping your hands warm, and organizing your work patterns

F

Scie sauteuse compacte sans balais

3440

INTRODUCTION

- Cet outil est conçu pour effectuer des découpes et coupes dans le bois, le plastique, le métal et convient pour des coupes droites et curvilignes avec des angles d'onglet jusqu'à 45°.
- Cet outil n'est pas conçu pour un usage professionnel
- Lorsque des pièces manquent ou sont endommagées, veuillez contacter votre distributeur
- **Lisez attentivement ce manuel d'instruction avant d'utiliser l'appareil et conservez-le pour pouvoir vous y référer ultérieurement** ③
- **Prêtez particulièrement attention aux consignes de sécurité et aux avertissements ; sinon, vous risquez de subir des blessures graves**

DONNÉES TECHNIQUES ①

PIÈCES DE L'OUTIL ②

- A Interrupteur marche / arrêt
- B Voyant DEL
- C Serre-lame sans outil
- D Levier de réglage du mouvement orbital
- E Semelle
- F Molette de réglage de la vitesse de sciage
- G Fentes de ventilation
- H Bouton de l'indicateur de niveau de batterie
- J Adaptateur de l'aspirateur
- K Clé six pans

SÉCURITÉ

CONSIGNES DE SÉCURITÉ GÉNÉRALES POUR L'OUTIL ÉLECTRIQUE

AVERTISSEMENT Lisez toutes les consignes de sécurité, les instructions, les illustrations et les spécifications de sécurité fournies avec cet outil électrique. Le non-respect des consignes figurant ci-dessous peut provoquer un choc électrique, un incendie et/ou des blessures graves.

Conservez tous les avertissements et instructions pour pouvoir vous y référer ultérieurement.

Le terme « outil électrique » utilisé dans les consignes de sécurité désigne votre outil électrique fonctionnant sur le secteur (filaire) ou sur batterie (sans fil).

1) SÉCURITÉ DE L'AIRE DE TRAVAIL

- a) **Maintenez l'aire de travail propre et bien éclairée.**
Les endroits sombres ou désordonnés augmentent les

risques d'accident.

- b) **N'utilisez pas les outils électriques dans des atmosphères explosives, par exemple en présence de liquides, gaz ou poussières inflammables.** Les outils électriques génèrent des étincelles pouvant enflammer les poussières et les vapeurs.
 - c) **Veillez à ce que les enfants et les autres personnes restent éloignés pendant l'utilisation d'un outil électrique.** Un moment d'inattention peut vous faire perdre le contrôle de l'outil.
- ### 2) SÉCURITÉ ÉLECTRIQUE
- a) **La fiche de l'outil électrique doit correspondre à la prise électrique. Ne modifiez jamais la prise de quelque manière que ce soit. N'utilisez jamais d'adaptateur de prise avec les outils électriques pourvus d'une mise à la terre ou à la masse.**
Les fiches non modifiées et les prises électriques appropriées réduisent le risque de choc électrique.
 - b) **Évitez tout contact physique avec des surfaces mises à la terre ou mises à la masse, telles que tuyaux, radiateurs, fours et réfrigérateurs.** Il y a un risque accru de choc électrique si votre corps est relié à la terre ou à la masse, directement ou indirectement.
 - c) **N'exposez pas les outils électriques à la pluie ou à un environnement mouillé.** Si de l'eau pénètre dans un outil électrique, cela accroît le risque de choc électrique.
 - d) **Prenez soin du câble d'alimentation. N'utilisez jamais le câble d'alimentation pour porter, tirer ou débrancher l'outil électrique. Veillez à ce que le câble d'alimentation n'entre jamais en contact avec de l'huile, des pièces mobiles, des arêtes tranchantes, et ne soit jamais exposé à de la chaleur.** Les câbles d'alimentation endommagés ou emmêlés augmentent le risque de choc électrique.
 - e) **Quand vous utilisez un outil électrique en extérieur, utilisez une rallonge électrique adaptée à un usage en extérieur.** L'utilisation d'une rallonge conçue pour un usage en extérieur permet de réduire le risque de choc électrique.
 - f) **Si vous êtes obligé d'utiliser un outil électrique dans un endroit humide, utilisez une alimentation protégée par un dispositif différentiel à courant résiduel (DDR).** L'utilisation d'un DDR réduit le risque de choc électrique.
- ### 3) SÉCURITÉ DES PERSONNES
- a) **Restez vigilant, soyez attentif à ce que vous faites et faites preuve de bon sens lors de l'utilisation d'un outil électrique. N'utilisez pas un outil électrique quand vous êtes fatigué ou sous l'emprise de l'alcool, de stupéfiants ou de médicaments.** Un moment d'inattention pendant l'utilisation des outils électriques peut provoquer des blessures corporelles graves.
 - b) **Utilisez des équipements de protection individuelle. Portez toujours une protection oculaire.** L'utilisation d'équipements de protection appropriés aux conditions de travail, tels que masque anti-poussières, chaussures de sécurité antidérapantes, casque et protections auditives, permet de réduire les risques de blessures corporelles.
 - c) **Évitez les démarrages accidentels. Vérifiez que l'interrupteur marche/arrêt est dans la position arrêt avant de brancher l'outil dans une prise**

électrique et/ou une batterie, de le saisir ou de le transporter. Porter les outils électriques avec le doigt sur leur interrupteur ou les brancher dans une alimentation électrique alors que leur interrupteur est dans la position marche augmente le risque d'accident.

- d) **Retirez toutes les clés de réglage et de serrage avant de mettre l'outil électrique en marche.** Une clé de réglage ou de serrage laissée sur une pièce rotative de l'outil électrique peut provoquer des blessures corporelles.
 - e) **N'essayez pas de travailler des endroits difficiles à atteindre. Conservez en permanence des appuis des pieds solides et un bon équilibre.** Cela permet un meilleur contrôle de l'outil électrique en cas de situations inattendues.
 - f) **Portez une tenue adaptée. Ne portez pas de vêtement ample ni de bijou. Maintenez vos cheveux et vos vêtements éloignés des pièces mobiles.** Les vêtements amples, les bijoux et les cheveux longs peuvent se prendre dans les pièces mobiles.
 - g) **Si un outil est conçu pour être utilisé avec des dispositifs d'extraction et de récupération des poussières, veillez à ce que ces dispositifs soient raccordés et correctement utilisés.** L'utilisation de dispositifs de récupération des poussières permet de réduire les risques liés aux poussières.
 - h) **Veillez à ne pas devenir trop sûr de vous et ne cessez pas de respecter les principes de sécurité même si vous vous sentez familiarisé à l'utilisation de l'outil.** La négligence peut provoquer des blessures graves en une fraction de seconde.
- ### 4) UTILISATION ET ENTRETIEN DE L'OUTIL ÉLECTRIQUE
- a) **Ne forcez pas l'outil électrique. Utilisez l'outil électrique qui convient au travail que vous voulez effectuer.** L'utilisation d'un outil qui convient au travail à effectuer permet de réaliser ce travail plus efficacement, avec une sécurité accrue et au rythme pour lequel l'outil a été conçu.
 - b) **N'utilisez pas l'outil électrique si son interrupteur marche/arrêt ne permet pas de l'allumer et de l'éteindre.** Tout outil électrique qui ne peut pas être contrôlé par son interrupteur marche/arrêt est dangereux et doit être réparé.
 - c) **Débranchez le câble de l'alimentation électrique et/ou retirez la batterie, si amovible, de l'outil électrique avant tout réglage ou changement d'accessoire, et avant de ranger l'outil électrique.** Cette mesure de sécurité préventive réduit le risque de démarrage accidentel de l'outil électrique.
 - d) **Rangez les outils électriques non utilisés hors de portée des enfants. N'autorisez pas les personnes non familiarisées avec l'outil électrique ou ce manuel d'utilisation à l'utiliser.** Les outils électriques sont dangereux dans les mains de personnes inexpérimentées.
 - e) **Entretenez les outils électriques et les accessoires. Inspectez-les pour vérifier qu'aucune pièce mobile n'est grippée ou mal alignée, qu'aucune pièce n'est cassée, et pour tout autre problème qui pourrait affecter leur fonctionnement. Si un outil électrique est endommagé, il doit être réparé avant d'être réutilisé.** Beaucoup d'accidents sont dus à des outils

électriques mal entretenus.

- f) **Veillez à ce que les accessoires de coupe restent affûtés et propres.** Des accessoires de coupe bien entretenus et bien affûtés risquent moins de se coincer et sont plus faciles à contrôler.
- g) **Utilisez l'outil électrique, ses accessoires, mèches/ embouts et toutes les autres pièces conformément aux présentes instructions, en prenant en compte les conditions d'utilisation et le travail à effectuer.** Utiliser l'outil électrique à d'autres finalités que celles pour lesquelles il a été conçu peut engendrer des situations dangereuses.
- h) **Maintenez les poignées et surfaces de préhension propres, sèches et exemptes d'huile et de graisse.** Les poignées et surfaces de préhension glissantes ne permettent pas de tenir et de contrôler l'outil de manière sûre en cas de situations inattendues.
- 5) **UTILISATION ET ENTRETIEN DE L'OUTIL SUR BATTERIE**
- a) **Rechargez la batterie exclusivement avec le chargeur spécifié par le fabricant.** Un chargeur adapté à un type de batterie en particulier peut présenter un risque d'incendie s'il est utilisé avec une batterie différente.
- b) **Utilisez les outils électriques exclusivement avec les batteries spécifiées.** L'utilisation de toute autre batterie peut engendrer un risque de blessures et d'incendie.
- c) **Lorsque la batterie n'est pas utilisée, elle doit être rangée à l'écart de tout objet métallique, tel que les trombones, pièces de monnaie, clés, clous, vis et tous les autres petits objets métalliques pouvant mettre en contact ses bornes.** Mettre en court-circuit les bornes de la batterie peut provoquer des brûlures et un incendie.
- d) **En cas d'usage abusif, du liquide peut s'échapper de la batterie. Évitez tout contact avec ce liquide. En cas de contact accidentel, rincez à grande eau. En cas de contact avec les yeux, vous devez en outre consulter un médecin.** Le liquide qui s'échappe des batteries peut provoquer des irritations et des brûlures.
- e) **N'utilisez pas une batterie ou un outil endommagé ou modifié.** Les batteries modifiées ou endommagées peuvent avoir un comportement imprévisible susceptible de provoquer un incendie, une explosion ou un risque de blessure.
- f) **N'exposez pas la batterie ou l'outil à des flammes ou à une température excessive.** L'exposition au feu ou à des températures supérieures à 130 °C peut provoquer une explosion.
- g) **Respectez toutes les instructions de recharge et ne rechargez pas la batterie ou l'outil hors de la plage de température spécifiée dans les instructions.** La recharge incorrecte ou à des températures hors de la plage spécifiée peut endommager la batterie et accroître le risque d'incendie.
- 6) **RÉPARATION**
- a) **Faites réparer votre outil électrique par un réparateur qualifié qui ne doit utiliser que des pièces de recharge identiques.** Ceci permet de garantir la sûreté de l'outil électrique.
- b) **Ne réparez jamais les batteries endommagées.** La réparation des batteries doit toujours être effectuée par le fabricant ou des réparateurs agréés.

CONSIGNES DE SECURITE POUR SCIES SAUTEUSES SANS FIL

- **Tenez l'outil par les surfaces de préhension isolées lors d'une opération au cours de laquelle la vis peut entrer en contact avec un câblage non apparent** (le contact avec un fil sous tension peut mettre sous tension les parties métalliques de l'outil électrique et entraîner l'électrocution de l'opérateur)
- **Utilisez des pinces ou tout autre moyen pratique pour fixer et soutenir la pièce à usiner sur une surface stable** (tenir la pièce à la main ou contre votre corps la rend instable et peut entraîner une perte de contrôle)

GENERALITES

- **Ne travaillez pas avec des matériaux contenant de l'amiante** (l'amiante est considéré cancérigène)
- Cet outil ne doit pas être utilisé par des personnes de moins de 16 ans
- Le niveau sonore en fonctionnement peut dépasser 85 dB(A); munissez-vous de casques anti-bruit
- Portez des lunettes protectrices lors de travaux sur des pièces productrices de copeaux
- La poussière de matériaux, tels que la peinture contenant du plomb, certaines espèces de bois, certains minéraux et métaux, peut être nocive (le contact avec la poussière ou son inhalation peut provoquer des réactions allergiques et/ou des maladies respiratoires chez l'opérateur ou les personnes à proximité); **portez un masque antipoussières et travaillez si possible avec un dispositif d'extraction des poussières**
- Certains types de poussières sont classées comme étant cancérigènes (tels que la poussière de chêne ou de hêtre), en particulier en combinaison avec des additifs de traitement du bois; **portez un masque antipoussières et travaillez si possible avec un dispositif d'extraction des poussières**
- Suivez les directives nationales relatives au dé poussiérage pour les matériaux à travailler
- Retirez la batterie de l'outil avant d'effectuer des réglages ou de changer d'accessoire

AVANT L'USAGE

- Enlevez tout corps étranger du tracé avant d'effectuer toute coupe
- Faites attention aux vis, clous ou autres éléments qui pourraient se trouver dans la pièce à travailler et qui risqueraient d'endommager très fortement votre outil; enlevez-les avant de commencer le travail

PENDANT L'USAGE

- Évitez de laisser les mains près de la lame de scie lorsque l'outil est en marche

ACCESSOIRES

- SKIL ne peut se porter garant du bon fonctionnement de cet outil que s'il a été utilisé avec les accessoires d'origine
- Ne pas utiliser une lame fendue, déformée ou émoussée

APRES L'USAGE

- Lorsque vous rangez votre outil, le moteur doit être coupé et les pièces mobiles complètement arrêtées

BATTERIE

- **La batterie fournie est partiellement chargée** (pour garantir la capacité totale de la batterie, chargez-la intégralement dans le chargeur de batterie avant d'utiliser l'outil électrique pour la première fois).
- **Utilisez uniquement les batteries et les chargeurs**

suivants avec l'outil

- Batterie SKIL : BR1*31****
- Chargeur SKIL : CR1*31****
- N'utilisez pas la batterie lorsque celle-ci est endommagée ; remplacez-la immédiatement
- Ne démontez pas la batterie
- N'exposez jamais l'outil/la batterie à la pluie
- Plage de températures autorisées (outil/chargeur/batterie):
 - pendant la charge 4...40°C
 - pendant le fonctionnement -20...+50°C
 - pour le stockage -20...+50°C

EXPLICATION DES SYMBOLES SUR L'OUTIL/LA BATTERIE

- ③ Veuillez lire le mode d'emploi avant d'utiliser l'outil
- ④ La batterie explosera si elle est jetée au feu - ne la brûlez en aucun cas
- ⑤ Rangez l'outil/le chargeur/la batterie dans des endroits où la température n'excède pas 50°C
- ⑥ Ne jetez pas les outils électriques et les piles dans les ordures ménagères

UTILISATION

- Chargement de la batterie
 - ! lisez les avertissements de sécurité et les instructions fournies avec le chargeur
- Retirer/installer la batterie ②
- appuyez sur le bouton indicateur de niveau de charge de la batterie H pour afficher le niveau de charge actuel ⑦a
 - press the battery level indicator button H to show the current battery level ⑦a
 - ! si le niveau le plus bas de l'indicateur de batterie se met à clignoter après appui sur le bouton H ⑦b, cela signifie que la batterie est vide
 - ! si 2 niveaux de l'indicateur de batterie se mettent à clignoter après appui sur le bouton H ⑦c, la batterie n'est pas dans la plage de température de fonctionnement autorisée
- Éclairage LED ⑭
 - L'éclairage LED B s'allume automatiquement lorsque vous activez l'interrupteur marche/arrêt.
 - ! lorsque l'éclairage LED commence à clignoter, la protection de la batterie est activée (voir ci-dessous)
- Protection de la batterie
 - L'outil est soudainement mis hors tension ou la mise sous tension est empêchée lorsque
 - la charge est trop élevée --> retirez la charge et redémarrez l'outil
 - la température de la batterie est hors de la plage de températures de fonctionnement autorisée de -20 à +50°C --> 2 niveaux de l'indicateur de niveau de charge de la batterie se mettent à clignoter lorsque vous appuyez sur le bouton H ⑦c ; attendez que la batterie soit revenue dans la plage de température de fonctionnement autorisée
 - la batterie est presque déchargée (pour empêcher qu'elle ne se décharge complètement) --> un niveau de batterie faible ou un niveau de batterie clignotant ⑦b est indiqué par l'indicateur de charge de la batterie lorsque vous appuyez sur le bouton H ; chargez la batterie
 - ! ne continuez pas à appuyer sur l'interrupteur

marche/arrêt après l'arrêt automatique de l'outil ; cela pourrait endommager la batterie

- Marche/arrêt ⑧
 - mettez en marche/arrêtez l'outil en poussant l'interrupteur A dans la position "I/O"
- Variateur de vitesse ⑨
 - la molette F permet de régler la vitesse de sciage souhaitée
 - La vitesse de travail optimale dépend du matériau et peut être déterminée par des essais pratiques
 - Avec la molette F réglée sur "A", la vitesse à vide est réduite pour un démarrage contrôlé
 - lors du sciage, la vitesse augmentera automatiquement jusqu'à la vitesse maximale
 - ! l'outil ne reviendra à la vitesse à vide réduite qu'après le redémarrage
- Changement des lames de scie ⑩
 - ! retirez la batterie de l'outil avant d'effectuer des réglages ou de changer d'accessoires
 - ! insérez la lame à fond, les dents vers l'avant ⑪
 - L'outil accepte les lames à queue en T les plus courantes ⑩
 - pour éjecter la lame, actionnez uniquement le levier du serre-lame C (inutile de toucher la lame)
- Sciage à 45° ⑫
- Sélection du mode de sciage ⑬
 - Utilisez le levier D pour régler le mouvement orbital allant d'une coupe précise (=0) à une coupe rapide (=3)
 - 1 position (« 0 ») pour une coupe précise dans tous matériaux, droite + curviligne
 - 3 positions pour une coupe rapide dans des matériaux différents, seulement droite
 - 1 = aluminium, plastique
 - 2 = bois dur
 - 3 = bois tendre
 - ! sélectionnez toujours « 0 » quand vous coupez des matériaux susceptibles de voler en éclats
- Aspiration de poussières ⑮
 - raccordez l'adaptateur de l'aspirateur J à la semelle
 - raccordez le tuyau de l'aspirateur à l'adaptateur de l'aspirateur J
 - ! N'utilisez pas l'aspirateur quand vous coupez des métaux
- Utilisation de l'outil
 - Avant de mettre l'outil en marche, assurez-vous toujours que le devant de la semelle soit bien à plat sur la pièce à travailler
 - Tenez fermement l'outil des deux mains, afin d'en avoir le plein contrôle à tout moment.
 - ! lorsque vous travaillez, tenez toujours l'outil par la ou les zone(s) de préhension de couleur grise ⑯
 - Assurez-vous que toute la surface de la semelle repose bien sur la pièce à travailler.
 - ! Avant de retirer l'outil de la pièce à travailler, assurez-vous que la lame se soit bien stabilisée.
 - veillez à ce que les fentes de ventilation G ② soient dégagées

CONSEILS D'UTILISATION

- l'outil accepte les lames à queue en T les plus courantes ⑰
 - ! l'outil accepte les lames à queue en T les plus courantes

- Quand vous coupez des métaux, lubrifiez régulièrement la lame de scie de lubrifiant
- Faites un avant-trou avant d'effectuer des découpes (8)
- Couper sans éclats
 - couvrez la ligne de coupe des plusieurs couches d'un large ruban adhésif avant d'effectuer la coupe
 - toujours inversez la partie visible de la pièce à travailler
- Pour plus d'informations, voir www.skil.com

ENTRETIEN / RÉPARATION

- Cet outil n'est pas conçu pour un usage professionnel
- Maintenez toujours l'outil propre (surtout les fentes de ventilation G(2))
- ! **retirez la batterie de l'outil avant de procéder au nettoyage**
- Si, malgré tous les soins apportés à la fabrication et au contrôle de l'outil, celui-ci devait avoir un défaut, la réparation ne doit être confiée qu'à une station de service après-vente agréée pour outillage SKIL
 - retournez l'outil **non démonté** avec votre preuve d'achat auprès du revendeur ou du service après-vente SKIL le plus proche (les adresses ainsi que la vue éclatée de l'outil figurent sur www.skil.com)
 - Veuillez noter que tout dégât causé par une surcharge ou une mauvaise utilisation de l'outil ne sera pas couvert par la garantie (pour connaître les conditions de la garantie SKIL, surfez sur www.skil.com ou adressez-vous à votre revendeur)

ENVIRONNEMENT

- **Ne jetez pas les outils électriques, les piles, les accessoires et l'emballage dans les ordures ménagères** (pour les pays européens uniquement)
 - conformément à la directive européenne 2012/19/EG relative aux déchets d'équipements électriques ou électroniques, et à sa transposition dans la législation nationale, les outils électriques usés doivent être collectés séparément et faire l'objet d'un recyclage respectueux de l'environnement
 - le symbole (6) vous le rappellera au moment de la mise au rebut de l'outil
- ! **avant d'envoyer les batteries au recyclage, pour éviter un éventuel court-circuit, il convient de revêtir les bornes d'un épais ruban adhésif isolant**



Points de collecte sur www.quefairedemesdechets.fr
Privilégiez la réparation ou le don de votre appareil !

BRUIT / VIBRATION

- Mesurés selon EN62841, le niveau de pression sonore de cet outil est de 87 dB(A), le niveau de puissance acoustique est de 98 dB(A) (incertitude K = 3 dB) et la vibration* (somme vectorielle triax ; incertitude K = 1,5 m/s²)
 - * sciage de planches 7,68 m/s²
 - * sciage de la tôle 6,08 m/s²
- Le niveau de vibrations émises a été mesuré conformément à l'essai normalisé de la norme EN62841;

il peut être utilisé pour comparer plusieurs outils et pour réaliser une évaluation préliminaire de l'exposition aux vibrations lors de l'utilisation de l'outil pour les applications mentionnées

- l'utilisation de l'outil dans d'autres applications, ou avec des accessoires différents ou mal entretenus, peut considérablement **augmenter** le niveau d'exposition
- la mise hors tension de l'outil et sa non-utilisation pendant qu'il est allumé peuvent considérablement **réduire** le niveau d'exposition

! **protégez-vous contre les effets des vibrations par un entretien correct de l'outil et de ses accessoires, en gardant vos mains chaudes et en organisant vos horaires de travail**

D

Bürstenlose Kompakt-Stichsäge

3440

EINLEITUNG

- Dieses Werkzeug ist zum Herstellen von Trennschnitten und Ausschnitten in Holz, Kunststoff und Metall vorgesehen und eignet sich zum Sägen gerader oder gekrümmter Segmente bis zu einem Gehrungswinkel von 45°
- Dieses Werkzeug eignet sich nicht für den professionellen Einsatz
- Wenn Teile fehlen oder beschädigt sind, wenden Sie sich an Ihren Händler
- **Diese Bedienungsanleitung vor dem Gebrauch sorgfältig durchlesen und aufbewahren** (3)
- **Achten Sie besonders auf die Sicherheits- und Warnhinweise. Es können schwere Verletzungen verursacht werden, wenn die Anweisungen missachtet werden**

TECHNISCHE DATEN (1)

WERKZEUGKOMPONENTEN (2)

- A Ein-/Aus-Schalter
- B LED-Lampe
- C Werkzeuglose Sägeblattklemme
- D Einstellhebel für Pendelhub
- E Fußplatte
- F Rad zur Hubzahlregelung
- G Lüftungsschlitze
- H Taster für Akkuladeanzeige
- J Staubsaugeranschluss
- K Sechskantschlüssel

SICHERHEIT

ALLGEMEINE SICHERHEITSHINWEISE ZU ELEKTROWERKZEUGEN

⚠️ WARNUNG Beachten Sie alle Warnhinweise, Anweisungen, Abbildungen und technischen Daten, die diesem Elektrowerkzeug beigelegt sind. Die Nichtbeachtung der unten aufgeführten Anweisungen kann zu Stromschlägen, Bränden und/oder schweren

Verletzungen führen.

Bewahren Sie alle Warn- und Bedienhinweise für Nachschlagezwecke auf.

Unter den Begriff „Elektrowerkzeug“ in den Warnhinweisen fallen netzbetriebene (d. h. kabelgebundene) oder akkubetriebene (d.h. kabellose) Elektrowerkzeuge.

1) SICHERHEIT IM ARBEITSBEREICH

- a) **Halten Sie den Arbeitsbereich stets sauber und gut beleuchtet.** Unaufgeräumte oder dunkle Bereiche können Unfälle provozieren.
- b) **Verwenden Sie Elektrowerkzeuge nicht in explosionsgefährdeten Umgebungen wie z. B. in Gegenwart von entzündlichen Flüssigkeiten, Gasen oder Staub.** Elektrowerkzeuge erzeugen Funken, die Staub oder Dämpfe entzünden können.
- c) **Halten Sie Schaulustige und Kinder fern, während Sie das Elektrowerkzeug einsetzen.** Ablenkungen können dazu führen, dass Sie die Kontrolle verlieren.

2) ELEKTRISCHE SICHERHEIT

- a) **Die Netzstecker der Elektrowerkzeuge müssen in die Steckdosen passen. Der Netzstecker darf unter keinen Umständen modifiziert werden.** Verwenden Sie keine Adapterstecker an geerdeten Elektrowerkzeugen. Nicht modifizierte Stecker und passende Steckdosen reduzieren die Stromschlaggefahr.
- b) **Vermeiden Sie den Körperkontakt zu geerdeten Flächen wie zum Beispiel Rohrleitungen, Heizkörpern, Herden und Kühlschränken.** Es besteht erhöhte Stromschlaggefahr, wenn Ihr Körper geerdet ist.
- c) **Schützen Sie Elektrowerkzeuge vor Regen oder feuchten Bedingungen.** Wenn Wasser in das Elektrowerkzeug eindringt, besteht erhöhte Stromschlaggefahr.
- d) **Das Kabel darf nicht zweckentfremdet werden. Das Netzkabel darf nicht zum Tragen, Ziehen oder Herausziehen des Elektrowerkzeugs aus der Steckdose verwendet werden. Das Netzkabel muss vor Hitze, Öl, scharfen Kanten oder beweglichen Teilen ferngehalten werden.** Durch beschädigte oder verknottete Kabel besteht erhöhte Stromschlaggefahr.
- e) **Wenn Sie ein Elektrowerkzeug im Freien benutzen, verwenden Sie ein Verlängerungskabel, das für den Gebrauch im Freien geeignet ist.** Die Stromschlaggefahr verringert sich bei Gebrauch eines Netzkabels, das für den Einsatz im Freien geeignet ist.
- f) **Wenn der Gebrauch eines Elektrowerkzeuges an einem feuchten Ort unvermeidbar ist, benutzen Sie eine durch eine Fehlerstromschutzeinrichtung (FI-Schalter) geschützte Stromquelle.** Die Verwendung einer Fehlerstromschutzeinrichtung reduziert die Stromschlaggefahr.

3) PERSONENSICHERHEIT

- a) **Seien Sie wachsam, geben Sie darauf Acht, was Sie tun, und benutzen Sie Ihren gesunden Menschenverstand, wenn Sie ein Elektrowerkzeug verwenden. Betreiben Sie das Gerät nicht, wenn Sie müde oder unter dem Einfluss von Drogen, Alkohol oder Medikamenten stehen.** Ein Moment der Unachtsamkeit kann beim Gebrauch eines Elektrowerkzeugs zu ernsthaften Verletzungen führen.

- b) **Tragen Sie eine persönliche Schutzausrüstung. Tragen Sie immer einen Augenschutz.** Durch eine Schutzausrüstung wie etwa eine Staubschutzmaske, rutschfeste Schuhe, Schutzhelm oder Gehörschutz lässt sich die Verletzungsgefahr den Umständen entsprechend verringern.
 - c) **Ungewollten Anlauf verhindern. Vor dem Anschließen an eine Steckdose und/oder einen Akku und vor dem Aufnehmen oder Transportieren des Geräts immer kontrollieren, ob der Hauptschalter in ausgeschalteter Position ist.** Unfälle sind vorprogrammiert, wenn Sie Elektrowerkzeuge mit einem Finger am Betriebsschalter tragen oder Elektrowerkzeuge mit eingeschaltetem Betriebsschalter an eine Steckdose anschließen.
 - d) **Entfernen Sie alle Einstellschlüssel oder Schraubenschlüssel, bevor Sie das Elektrowerkzeug einschalten.** Ein Schraubenschlüssel oder ein Schlüssel, der noch an einem beweglichen Teil des Elektrowerkzeuges befestigt ist, kann Verletzungen hervorrufen.
 - e) **Nicht überstrecken. Achten Sie stets auf einen festen Stand und halten Sie das Gleichgewicht.** Dies ermöglicht in unerwarteten Situationen eine bessere Kontrolle über das Elektrowerkzeug.
 - f) **Tragen Sie angemessene Kleidung. Tragen Sie keine weite Kleidung oder Schmuck. Halten Sie Ihr Haar und Ihre Kleidung von den beweglichen Teilen fern.** Weite Kleidung, Schmuck oder langes Haar können sich in den beweglichen Teilen verfangen.
 - g) **Wenn Komponenten zum Anschluss an eine Absauganlage und an Auffangvorrichtungen mitgeliefert werden, achten Sie darauf, dass diese ordnungsgemäß befestigt und benutzt werden.** Die Verwendung einer Staubauffangvorrichtung kann Gefahren durch Staub reduzieren.
 - h) **Lassen Sie sich nicht durch die aufgrund häufiger Benutzung entstandene Vertrautheit mit Werkzeugen dazu verleiten, unachtsam zu werden und die für Werkzeuge geltenden Sicherheitsgrundsätze zu ignorieren.** Eine fahrlässige Handlung kann bereits im Bruchteil einer Sekunde zu schweren Verletzungen führen.
- #### **4) GEBRAUCH UND PFLEGE DES ELEKTROWERKZEUGS**
- a) **Üben Sie keinen übermäßigen Druck auf das Elektrowerkzeug aus. Verwenden Sie ein geeignetes Elektrowerkzeug für die jeweiligen Arbeiten.** Durch das passende Elektrowerkzeug lassen sich die Arbeiten besser und sicherer in dem jeweils vorgesehenen Tempo erledigen.
 - b) **Verwenden Sie das Elektrowerkzeug nicht, wenn es sich mit dem Schalter weder ein- noch ausschalten lässt.** Ein Elektrowerkzeug, das sich über den Schalter nicht betätigen lässt, ist gefährlich und muss repariert werden.
 - c) **Ziehen Sie den Netzstecker aus der Steckdose bzw. nehmen Sie den Akku vom Elektrowerkzeug ab, sofern dieser entfernbar ist, bevor Sie Einstellungen vornehmen, das Zubehör wechseln oder das Elektrowerkzeug verstauen.** Solche vorsorglichen Sicherheitsmaßnahmen verringern die Gefahr eines unbeabsichtigten Anlaufs.

- d) **Bewahren Sie nicht benutzte Elektrowerkzeuge außerhalb der Reichweite von Kindern auf und verbieten Sie Personen die Gerätebenutzung, die das Elektrowerkzeug oder diese Anweisungen nicht kennen.** In den Händen nicht eingewiesener Benutzer stellen Elektrowerkzeuge eine große Gefahr dar.
- e) **Warten Sie Elektrowerkzeuge und Zubehörteile. Achten Sie auf falsch ausgerichtete oder fest sitzende bewegliche Teile, Bruchstellen und sonstige Umstände, die die Funktion des Elektrowerkzeuges beeinträchtigen können. Lassen Sie beschädigte Elektrowerkzeuge reparieren, bevor Sie sie wieder einsetzen.** Viele Unfälle entstehen durch schlecht gewartete Elektrowerkzeuge.
- f) **Halten Sie Schneidwerkzeuge scharf und sauber.** Sachgemäß gewartete Schneidwerkzeuge mit scharfen Schneiden neigen weniger zum Festfahren und sind leichter zu kontrollieren.
- g) **Benutzen Sie das Elektrowerkzeug, Zubehör, Bits usw. gemäß diesen Anweisungen und berücksichtigen Sie dabei die Arbeitsbedingungen und die auszuführenden Arbeiten.** Die Verwendung des Elektrowerkzeugs für Aufgaben, die von seinem bestimmungsgemäßen Zweck abweichen, können zu gefährlichen Situationen führen.
- h) **Halten Sie die Griffe und Griffflächen trocken, sauber und frei von Öl und Fett.** Rutschige Griffe und Griffflächen beeinträchtigen die sichere Handhabung des Werkzeugs und führen in unerwarteten Situationen zum Verlust der Kontrolle über das Werkzeug.
- 5) **BENUTZUNG UND PFLEGE VON AKKUGERÄTEN**
- a) **Laden Sie den Akku nur mit dem vom Hersteller vorgegebenen Ladegerät auf.** Ein Ladegerät, das für einen bestimmten Akkutyp geeignet ist, kann bei der Benutzung eines anderen Akkus zu einer Brandgefahr werden.
- b) **Benutzen Sie für die Elektrowerkzeuge nur die jeweils zugehörigen Akkus.** Bei Verwendung anderer Akkus besteht Verletzungs- und Brandgefahr.
- c) **Wenn der Akku nicht benutzt wird, halten Sie ihn von anderen metallischen Gegenständen fern, wie etwa Büroklammern, Münzen, Schlüssel, Nägel, Schrauben oder anderen kleinen Metallgegenständen, die eine Verbindung zwischen den Polen herstellen können.** Das Kurzschließen der Pole kann Verbrennungen oder Brände verursachen.
- d) **Bei unsachgemäßer Anwendung kann Flüssigkeit aus dem Akku austreten; Kontakt vermeiden. Falls Sie versehentlich mit Akkusäure in Berührung gekommen sind, spülen Sie die Stelle mit Wasser. Falls Akkusäure in die Augen geraten ist, suchen Sie zudem einen Arzt auf.** Aus dem Akku austretende Flüssigkeit kann Reizungen oder Verätzungen verursachen.
- e) **Benutzen Sie keinen Akku oder ein Werkzeug, das beschädigt oder umgebaut wurde.** Beschädigte oder modifizierte Akkus können sich unvorhergesehen verhalten und einen Brand, eine Explosion oder eine Verletzung hervorrufen.
- f) **Akkus oder Werkzeuge vor Feuer oder extremen Temperaturen schützen.** Feuer oder Temperaturen über 130 °C können eine Explosion verursachen.
- g) **Befolgen Sie alle Ladeanweisungen und laden**

Sie den Akku oder das Werkzeug nicht außerhalb des Temperaturbereichs auf, der in der Anleitung angegeben ist. Das unsachgemäße Aufladen oder Laden außerhalb des angegebenen Temperaturbereichs kann den Akku beschädigen und die Brandgefahr erhöhen.

6) REPARATUREN

- a) **Lassen Sie Ihr Elektrowerkzeug von einer qualifizierten Fachkraft und nur unter Verwendung baugleicher Ersatzteile reparieren.** Nur so kann für die Sicherheit des Elektrowerkzeugs gesorgt werden.
- b) **Reparieren Sie unter keinen Umständen beschädigte Akkus.** Akkus sollten ausschließlich vom Hersteller selbst oder einer autorisierten Reparaturwerkstatt repariert werden.

SICHERHEITSHINWEISE FÜR AKKU-STICHSÄGEN

- **Halten Sie das Elektrowerkzeug an den isolierten Griffflächen fest, wenn Sie Arbeiten ausführen, bei denen die Schraube verborgene Stromleitungen treffen kann** (der Kontakt mit einer spannungsführenden Leitung kann auch Metallteile des Elektrowerkzeuges unter Spannung setzen und zu einem elektrischen Schlag führen)
- **Verwenden Sie Spannvorrichtungen oder andere praktische Vorrichtungen, um das Werkstück an einer stabilen Plattform zu fixieren und abzustützen** (wenn das Werkstück in der Hand oder gegen den Körper gehalten wird, ist es nicht stabil gelagert und es besteht die Gefahr eines Kontrollverlusts)

ALLGEMEINES

- **Halten Sie das Elektrowerkzeug an den isolierten Griffflächen fest, wenn Sie Arbeiten ausführen, bei denen die Schraube verborgene Stromleitungen treffen kann** (der Kontakt mit einer spannungsführenden Leitung kann auch Metallteile des Elektrowerkzeuges unter Spannung setzen und zu einem elektrischen Schlag führen)
- **Verwenden Sie Spannvorrichtungen oder andere praktische Vorrichtungen, um das Werkstück an einer stabilen Plattform zu fixieren und abzustützen** (wenn das Werkstück in der Hand oder gegen den Körper gehalten wird, ist es nicht stabil gelagert und es besteht die Gefahr eines Kontrollverlusts)

ALLGEMEINES

- **Bearbeiten Sie kein asbesthaltiges Material** (Asbest gilt als krebserregend)
- Das Werkzeug ist nur für Personen ab 16 Jahren geeignet
- Der Geräuschpegel beim Arbeiten kann 85 dB(A) überschreiten; Gehörschutz tragen
- Beim Bearbeiten spannerzeugender Materialien Schutzbrille tragen
- Der Staub von Materialien wie bleihaltiger Farbe, bestimmten Holzarten, Mineralien und Metallen kann gesundheitsschädlich sein (das Einatmen oder der Kontakt mit diesen Stäuben kann allergische Reaktionen und/oder Atemwegserkrankungen beim Benutzer oder bei Passanten auslösen); **tragen Sie eine Staubmaske und arbeiten Sie mit einer Staubabsaugung, sofern ein Anschluss dafür vorhanden ist**
- Bestimmte Stäube sind als krebserregend eingestuft (beispielsweise Eichen- und Buchenholzstaub), insbesondere in Verbindung mit Zusätzen für die

Holzvorbehandlung. **Tragen Sie eine Staubmaske und arbeiten Sie mit einer Staubabsaugung, sofern anschließbar**

- Beachten Sie die für Ihr verwendetes Verbrauchsmaterial gültigen nationalen Staubschutzvorgaben
- Bevor Einstellungen vorgenommen oder Zubehörteile ausgetauscht werden, Akku aus Werkzeug nehmen

VOR DER ANWENDUNG

- Bevor Sie mit dem Schnitt beginnen, alle Hindernisse von der Ober- wie auch von der Unterfläche entfernen, die auf der Schnittstrecke liegen
- Beschädigungen durch Schrauben, Nägel und ähnliches an Ihrem Werkstück melden; diese vor Arbeitsbeginn entfernen

WÄHREND DER ANWENDUNG

- Halten Sie Hände von dem Sägeblatt fern, wenn das Werkzeug eingeschaltet ist

ZUBEHÖR

- SKIL kann nur dann die einwandfreie Funktion des Werkzeuges zusichern, wenn Original-Zubehör verwendet wird
- Rissige oder stumpfe Sägeblätter, oder solche, die ihre Form verändert haben, dürfen nicht verwendet werden

NACH DER ANWENDUNG

- Sobald Sie sich von Ihrem Werkzeug entfernen, sollte dieses ausgeschaltet werden und die sich bewegenden Teile vollkommen zum Stillstand gekommen sein

AKKU

- **Der mitgelieferte Akku ist nur teilgeladen.** Um die volle Kapazität des Akkus nutzen zu können, laden Sie den Akku im Ladegerät vollständig auf, bevor Sie das Elektrowerkzeug zum ersten Mal verwenden.
- **Nur die mit diesem Werkzeug mitgelieferten Batterien und Ladegeräte verwenden**
 - SKIL-Akku:BR1*31****
 - SKIL-Ladegerät:CR1*31****
- Beschädigte Akkus nicht verwenden sondern sofort ersetzen
- Die Batterie nicht auseinandernehmen
- Das Werkzeug/die Batterie niemals Regen aussetzen
- Erlaubte Umgebungstemperatur (Werkzeug/Ladegerät/Batterie):
 - beim Laden 4...40°C
 - im Betrieb -20...+50°C
 - bei Lagerung -20...+50°C

ERKLÄRUNG DER SYMBOLE AUF DEM WERKZEUG/ AKKU

- ③ Die Bedienungsanleitung vor dem Gebrauch lesen
- ④ Batterien werden bei Kontakt mit Feuer explodieren, die Batterien daher niemals verbrennen
- ⑤ Bewahren Sie das Werkzeug/Ladegerät/Akku stets bei Raumtemperaturen unter 50°C auf
- ⑥ Elektrowerkzeuge und Akkus nicht in den Hausmüll werfen

BEDIENUNG

- Aufladen des Akkus
 - ! **Lesen Sie die Sicherheitshinweise und Anweisungen, die Ladegerät beiliegen**
- Anbringen/Abnehmen des Akkus ②
- Akkuladeanzeige ⑦
 - Drücken Sie auf den Taster für die Ladestandsanzeige H, um den aktuellen Ladezustand des Akkus anzuzeigen ⑦a

! Wenn nach dem Drücken des Tasters für die Ladestandsanzeige H ⑦b der niedrigste Ladezustand in der Anzeige blinkt, ist der Akku leer

! Wenn nach dem Drücken des Tasters für die Ladestandsanzeige H ⑦c 2 Balken blinken, ist der Akku nicht im zulässigen Betriebstemperaturbereich

- LED-Lampe ⑭
 - Die LED-Lampe B schaltet sich automatisch ein, wenn der Ein-/Ausschalter betätigt wird.
 - ! **Wenn die LED-Lampe zu blinken beginnt, ist der Akkuschutz aktiviert (siehe unten)**
- Akkuschutz
 - Das Gerät wird plötzlich ausgeschaltet oder kann nicht mehr eingeschaltet werden, wenn
 - **die Belastung zu stark ist** --> Gerät entlasten und neu starten
 - **die Akkutemperatur nicht im zulässigen Betriebstemperaturbereich von -20 bis +50° C liegt** --> Wenn nach dem Drücken des Tasters für die Ladestandsanzeige H ⑦c 2 Balken blinken, warten, bis sich der Akku wieder innerhalb des zulässigen Betriebstemperaturbereichs befindet
 - **der Akku fast leer ist (zum Schutz vor Tiefentladung)** --> Nach dem Drücken der Taste H wird ein niedriger Ladezustand oder ein blinkender niedriger Ladezustand ⑦b angezeigt ; Akku aufladen
 - ! **Wenn sich das Gerät automatisch abgeschaltet hat, nicht weiterhin den Ein-/Ausschalter drücken; der Akku kann dadurch beschädigt werden**
- Ein/Aus ⑧
 - Schalter A auf „I/O“ stellen, um das Werkzeug ein- bzw. auszuschalten
- Drehzahlregelung ⑨
 - Mit dem Drehrad F kann die gewünschte Sägegeschwindigkeit eingestellt werden
 - Die optimale Arbeitsgeschwindigkeit hängt vom Material ab und kann durch praktische Versuche ermittelt werden
 - Wenn das Drehrad F auf „A“ gestellt wird, wird die Leerlaufdrehzahl zum kontrollierten Anlaufen verringert
 - Beim Sägen erhöht sich die Drehzahl automatisch auf die volle Geschwindigkeit
 - ! **Beim nächsten Starten kehrt das Werkzeug wieder zur verringerten Leerlaufdrehzahl zurück**
- Sägeblattwechsel ⑩
 - ! **Bevor Einstellungen vorgenommen oder Zubehörteile ausgetauscht werden, den Akku vom Werkzeug abnehmen**
 - ! **Sägeblatt mit den Sägezähnen nach vorn zeigend bis zum Anschlag einführen** ⑪
 - Das Werkzeug ist für die meisten handelsüblichen Sägeblätter mit T-Schäften geeignet ⑩
 - Zum Auswerfen des Sägeblatts nur den Hebel der Spannvorrichtung C betätigen (das Sägeblatt muss dazu nicht berührt werden)
- Sägen bei 45° ⑫
- Auswählen des Sägemodus ⑬
 - Mit dem Hebel D können Sie den Pendelhub auf die Position "0" für präzises Sägen oder auf „3“ für schnelles Sägen einstellen
 - 1 Position ("0") für präzises Sägen aller Materialien, gerade + Kurven-Schnitte

- 3 Positionen für schnelles Sägen unterschiedlicher Materialien, nur gerade Schnitte

1 = Aluminium/Kunststoff

2 = Hartholz

3 = Weichholz

! Beim Sägen von Material mit Splittergefahr immer "0" einstellen

- Staubabsaugung ¹⁵
 - Staubsaugeradapter J an die Fußplatte anschließen
 - Staubsaugerschlauch mit dem Staubsaugeradapter J verbinden
- ! Staubsauger nicht verwenden beim Sägen von Metall**
- Bedienung des Werkzeuges
 - vor dem Einschalten des Werkzeuges muss die Vorderseite der Fußplatte flach auf dem Werkstück aufliegen
 - das Werkzeug immer fest mit beiden Händen halten um es stets unter Kontrolle zu haben
- ! Das Werkzeug beim Arbeiten immer an den grauen Griffflächen festhalten ¹⁶**
- stellen Sie sicher, dass die Fußplatte auf ganzer Fläche sicher aufliegt
- ! stellen Sie sicher, dass das Blatt vollkommen zum Stillstand gekommen ist, bevor Sie das Werkzeug vom Werkstück entfernen**
- Die Lüftungsschlitze G ² nicht abdecken

ANWENDUNGSHINWEISE

- Die entsprechenden Sägeblätter verwenden ¹⁷
- ! Das Werkzeug ist für die meisten handelsüblichen Sägeblätter mit T-Schäften geeignet**
- Beim Sägen von Metall Sägeblatt regelmäßig mit Öl ein fetten
- Bevor Sie Ausschnitte ausführen, ein Loch vorbohren ¹⁸
- Splitterfreies Sägen
 - die Schnittlinie mit mehreren Schichten breiten Klebeband bedecken vor Arbeitsbeginn
 - die Oberfläche des Werkstücks grundsätzlich nach unten zeigend aufliegen
- Für weitere Informationen verweisen wir auf www.skil.com

WARTUNG / PFLEGE

- Dieses Werkzeug eignet sich nicht für den professionellen Einsatz
- Halten Sie das Werkzeug immer sauber (insbesondere die Lüftungsschlitze G ²)
- ! Vor dem Reinigen den Akku vom Werkzeug abnehmen**
- Sollte das Elektrowerkzeug trotz sorgfältiger Herstellungs- und Prüfverfahren einmal ausfallen, ist die Reparatur von einer autorisierten Kundendienststelle für SKIL-Elektrowerkzeuge ausführen zu lassen
 - Schicken Sie das Werkzeug **unzerlegt** zusammen mit dem Kaufbeleg an den Fachhändler oder an die nächste SKIL-Vertragswerkstatt (die Adressen sowie die Ersatzteilzeichnung des Werkzeuges finden Sie unter www.skil.com)
 - Beachten Sie, dass ein falscher oder unsachgemäßer Gebrauch des Werkzeugs zum Erlöschen der Garantie führt (die SKIL-Garantiebedingungen finden Sie unter www.skil.com oder fragen Sie Ihren Händler)

UMWELT

- **Elektrowerkzeuge, Akkus, Zubehör und Verpackungen nicht in den Hausmüll werfen** (nur für EU-Länder)
 - Gemäß der europäischen Richtlinie 2012/19/EG über Elektro- und Elektronik-Altgeräte und ihrer Umsetzung in nationales Recht müssen nicht mehr gebrauchsfähige Elektrowerkzeuge getrennt gesammelt und einer umweltgerechten Wiederverwertung zugeführt werden
 - Hieran soll Sie das Symbol ⁶ erinnern
- ! Vor dem Entsorgen des Akkus die Pole mit Isolierband zukleben, um einen Kurzschluss zu verhindern**

GERÄUSCH / VIBRATION

- Laut Messung gemäß EN 62841 beträgt der Schalldruckpegel dieses Werkzeugs 87 dB(A) und der Schalleistungspegel 98 dB(A) (Unsicherheit K = 3 dB). Die Vibration beträgt * (Triaxvektorsumme; Unsicherheit K = 1,5 m/s²)
 - * Bretter sägen 7,68 m/s²
 - * Schneidmetallbogen 6,08 m/s²
- Die Vibrationsemissionsstufe wurde mit einem standardisierten Test gemäß EN62841 gemessen. Sie kann verwendet werden, um ein Werkzeug mit einem anderen zu vergleichen und dient als vorläufige Beurteilung der Vibrationsexposition bei Verwendung des Werkzeugs für die angegebenen Anwendungszwecke
 - Die Verwendung des Werkzeugs für andere Anwendungen oder mit anderem oder schlecht gewartetem Zubehör kann den Expositionswert erheblich **erhöhen**
 - Zeiten, zu denen das Werkzeug ausgeschaltet oder bei denen es in Betrieb ist aber nicht zum Einsatz kommt, können den Expositionswert erheblich **verringern**
- ! Schützen Sie sich vor den Auswirkungen der Vibration durch Wartung des Werkzeugs und des Zubehörs, halten Sie Ihre Hände warm und organisieren Sie Ihre Arbeitsweise**

NL

Borstelloze compacte decoupeerzaag

3440

INLEIDING

- Dit gereedschap is bestemd voor het doorzagen van, en het zagen van uitsparingen in hout, kunststof, metaal en is geschikt om recht en in bochten te zagen onder een hoek van 45°
- Dit gereedschap is niet bedoeld voor professioneel gebruik
- Als onderdelen ontbreken of beschadigd zijn, neemt u contact op met de dealer
- **Lees deze handleiding aandachtig en bewaar hem zodat u hem in de toekomst kunt raadplegen ³**
- **Let met name op de veiligheidsinstructies en de waarschuwingen; het niet in acht nemen hiervan kan ernstig letsel tot gevolg hebben**

TECHNISCHE GEGEVENS ①

GEREEDSCHAPSELEMENTEN ②

- A Aan-/uit-schakelaar
- B LED-lampje
- C Gereedschapsloze zaagbladklem
- D Orbitale bedieningshendel
- E Voetplaat
- F Instelwielje voor zaagsnelheid
- G Ventilatieopeningen
- H Accu niveau-indicator knop
- J Stofzuigeraansluitstuk
- K Zeskantsleutel

VEILIGHEID

ALGEMENE VEILIGHEIDSWAARSCHUWINGEN VOOR ELEKTRISCH GEREEDSCHAP

WAARSCHUWING Lees alle veiligheidswaarschuwingen, instructies, illustraties en specificaties die met dit elektrisch gereedschap zijn meegeleverd. Het niet opvolgen van alle onderstaande instructies kan leiden tot elektrische schokken en/of ernstig letsel.

Bewaar alle waarschuwingen en instructies voor toekomstig gebruik.

De term "elektrisch gereedschap" in de waarschuwingen verwijst naar uw op het voedingsnet aangedreven (met snoer) elektrisch gereedschap of batterij aangedreven (snoerloos) elektrisch gereedschap.

1) VEILIGHEID OP DE WERKPLAATS

- a) **Houd uw werkplaats schoon en goed verlicht.** Rommelige of donkere ruimten kunnen ongevallen veroorzaken.
- b) **Gebruik geen elektrisch gereedschap in ruimten waar een explosieve atmosfeer kan ontstaan, bijvoorbeeld in de aanwezigheid van ontvlambare vloeistoffen, gassen of stof.** Elektrisch gereedschap creëert vonken, deze kunnen stof of dampen in brand steken.
- c) **Houd kinderen en omstanders uit de buurt wanneer u een elektrisch gereedschap bedient.** Afleiding kan tot controleverlies leiden.

2) ELEKTRISCHE VEILIGHEID

- a) **De stekker van het elektrisch gereedschap dient met het stopcontact overeen te stemmen. Pas de stekker op geen enkele manier aan. Gebruik geen adapterstekker met geaard elektrisch gereedschap.** Niet aangepaste stekkers en overeenkomstige stopcontacten beperken het risico op elektrische schokken.
- b) **Vermijd lichamelijk contact met geaarde oppervlakken, zoals pijpleidingen, radiatoren, fornuizen of koelkasten.** Het risico op een elektrische schok is groter als uw lichaam geaard is.
- c) **Stel elektrisch gereedschap niet bloot aan regen of vochtige omstandigheden.** Water dat elektrisch gereedschap binnendringt, vergroot het risico op een

elektrische schok.

- d) **Gebruik de kabel niet op een verkeerde manier. Gebruik de kabel nooit om het elektrisch gereedschap te dragen, te trekken of om de stekker uit het stopcontact te halen. Houd de kabel uit de buurt van hitte, olie, scherpe randen of bewegende onderdelen.** Beschadigde of verstrikte kabels vergroten het risico op een elektrische schok.
 - e) **Wanneer u een elektrisch gereedschap buitenshuis bedient, gebruik dan een verlengkabel die geschikt is voor gebruik buitenshuis.** Het gebruik van een kabel die voor gebruik buitenshuis geschikt is, verkleint het risico op een elektrische schok.
 - f) **Als het gebruik van elektrisch gereedschap in een vochtige ruimte noodzakelijk is, gebruik een differentieelschakelaar.** Het gebruik van een differentieelschakelaar verkleint het risico op elektrische schokken.
- #### 3) PERSOONLIJKE VEILIGHEID
- a) **Wees waakzaam, let op wat u doet en gebruik uw gezond verstand wanneer u elektrisch gereedschap gebruikt. Gebruik het elektrisch gereedschap niet als u moe bent of onder de invloed bent van drugs, alcohol of medicijnen.** Een moment van onoplettendheid tijdens het gebruik van elektrische gereedschappen kan leiden tot ernstig persoonlijk letsel.
 - b) **Gebruik persoonlijke beschermingsmiddelen. Draag altijd oogbescherming.** Beschermingsmiddelen zoals een stofmasker, slipvaste veiligheidsschoenen, veiligheidshelm of gehoorbescherming afhankelijk van de aard en het gebruik verkleint het risico op persoonlijk letsel.
 - c) **Vermijd dat het gereedschap per ongeluk wordt gestart. Zorg dat de schakelaar op de stand 'Uit' is ingesteld voordat u het gereedschap op een stroombron en/of accupack aansluit, vastneemt of draagt.** Het dragen van elektrisch gereedschap met uw vinger op de schakelaar of gereedschap ingeschakeld op de stroomvoorziening aansluiten kan ongevallen veroorzaken.
 - d) **Verwijder instelsleutels of moersleutels voordat u het elektrisch gereedschap inschakelt.** Een instelsleutel of moersleutel in een draaiend deel van het elektrisch gereedschap achterlaten kan leiden tot persoonlijk letsel.
 - e) **Reik niet te ver. Zorg er altijd voor dat u stevig en stabiel staat.** Dit zorgt ervoor dat u het elektrisch gereedschap in onverwachte situaties beter onder controle kunt houden.
 - f) **Draag passende kleding. Draag geen los hangende kleding of sieraden. Houd uw haar en kleding uit de buurt van bewegende onderdelen.** Los hangende kleding, sieraden en lang haar kunnen in bewegende onderdelen verstrikt raken.
 - g) **Wanneer de montage van stofafzuiging- of stofopvangvoorzieningen mogelijk is, dient u ervoor te zorgen dat deze juist aangesloten en gebruikt worden.** Het gebruik van een stofopvang kan helpen om het risico in verband met stof te verlagen.
 - h) **Word niet zelfgenomen door de ervaring die u heeft opgedaan door frequent gebruik, waardoor u dan de veiligheidswaarschuwingen negeert.** Een achtelose actie kan binnen een fractie van een seconde

ernstig letsel veroorzaken.

4) ELEKTRISCH GEREEDSCHAP GEBRUIKEN EN ONDERHOUDEN

- a) **Overbelast het elektrisch gereedschap niet. Gebruik het juiste elektrisch gereedschap voor uw toepassing.** Met het juiste elektrisch gereedschap werkt u beter en veiliger binnen het aangegeven vermogensbereik.
 - b) **Gebruik het elektrisch gereedschap niet als de schakelaar niet kan worden in- en uitgeschakeld.** Elektrisch gereedschap dat niet kan worden in- of uitgeschakeld is gevaarlijk en moet worden gerepareerd.
 - c) **Trek de stekker uit de stroomvoorziening en/of verwijder het accupack, indien deze kan worden verwijderd, uit het elektrisch gereedschap voordat u het instelt, accessoires vervangt of het gereedschap opbergt.** Deze preventieve voorzorgsmaatregelen beperken het risico op onbedoeld starten van het elektrisch gereedschap.
 - d) **Berg niet-gebruikt elektrisch gereedschap op buiten het bereik van kinderen en zorg ervoor dat personen die niet vertrouwd zijn met het gereedschap of die deze instructies niet hebben gelezen het gereedschap niet gebruiken.** Elektrisch gereedschap is gevaarlijk wanneer het door onervaren personen wordt gebruikt.
 - e) **Onderhoud het elektrisch gereedschap en de accessoires. Controleer of de bewegende onderdelen correct functioneren en niet vastklemmen en of de onderdelen zodanig gebroken of beschadigd zijn dat de werking van het elektrisch gereedschap nadelig wordt beïnvloedt. Laat een beschadigd elektrisch gereedschap eerst repareren voordat u het weer in gebruik neemt.** Vele ongevallen zijn het gevolg van slecht onderhouden elektrisch gereedschap.
 - f) **Houd de snij-onderdelen scherp en schoon.** Zorgvuldig onderhouden snij-gereedschap met scherpe snijranden klemt minder snel vast en is gemakkelijker te beheersen.
 - g) **Gebruik het elektrisch gereedschap, accessoires, inzetgereedschap, etc. in overeenstemming met deze instructies en houd hierbij rekening met de werkomstandigheden en de uit te voeren werkzaamheden.** Het gebruik van elektrisch gereedschap voor andere dan de beoogde toepassingen kan tot gevaarlijke situaties leiden.
 - h) **Houd de handgrepen en greepvlakken droog, schoon en vrij van olie en smeervet.** Glibberige handgrepen en greepvlakken maken een veilige omgang en de controle over het elektrisch gereedschap in onverwachte situaties onmogelijk.
- #### 5) ACCU-GEREEDSCHAP GEBRUIKEN EN ONDERHOUDEN
- a) **Opladen alleen met de lader die door de fabrikant is aangegeven.** Een lader die geschikt is voor een bepaald type accupack kan tot brandgevaar leiden wanneer hij gebruikt wordt met een ander accupack.
 - b) **Gebruik elektrisch gereedschap alleen met het specifiek aangegeven accupack.** Het gebruik van andere accupacks kan risico op letsel en brandgevaar veroorzaken.
 - c) **Wanneer u het accupack niet gebruikt, houd het**

uit de buurt van andere metalen voorwerpen zoals paperclips, munten, sleutels, spijkers, schroeven of andere kleine metalen voorwerpen die de twee aansluitklemmen kunnen verbinden. Het kortsluiten van de aansluitklemmen kan brandwonden of brand veroorzaken.

- d) **Bij verkeerd gebruik kan er vloeistof uit de accu worden gespoten; vermijd elk contact. Als aanraking met de vloeistof toevallig plaatsvindt, spoel het dan af met water. Als de vloeistof in contact komt met de ogen, dient u onmiddellijk een arts te consulteren.** Vloeistof dat uit de accu wordt gespoten kan irritatie of brandwonden veroorzaken.
 - e) **Gebruik een accupack of gereedschap dat is beschadigd of aangepast niet.** Beschadigde of aangepaste accu's kunnen resulteren in onvoorzien gedrag zoals brand, explosie of het risico op letsel.
 - f) **Stel een accupack of gereedschap niet bloot aan vuur of excessieve temperaturen.** Blootstelling aan vuur of temperaturen boven 130°C kunnen leiden tot een explosie.
 - g) **Neem alle laadinstructies in acht en laad het accupack of het gereedschap niet buiten het gespecificeerde temperatuurbereik in de handleiding op.** Het onjuist laden of bij een temperatuur buiten het temperatuurbereik kan de accu beschadigen en er bestaat een gevaar op brand.
- #### 6) SERVICE
- a) **Laat uw elektrisch gereedschap repareren door een gekwalificeerde reparateur en alleen met identieke reserve-onderdelen.** Dit waarborgt de veiligheid van het elektrisch gereedschap.
 - b) **Repareer beschadigde accupacks nooit.** Onderhoud van accupacks mag alleen worden uitgevoerd door de fabrikant of een geautoriseerde dienstverlener.

VEILIGHEIDSINSTRUCTIES VOOR ACCU-DECOUPEERZAGEN

- **Houd het elektrische gereedschap aan de geïsoleerde greepvlakken vast als u werkzaamheden uitvoert waarbij de schroef verborgen stroomleidingen kan raken** (contact met een onder spanning staande leiding kan ook metalen delen van het elektrische gereedschap onder spanning zetten en tot een elektrische schok leiden)
- **Gebruik klemmen of pas een andere handige manier toe om het werkstuk vast te zetten en te ondersteunen op een stabiel platform** (bij het in de hand of tegen het lichaam houden van het werkstuk, kan het gereedschap niet goed onder controle worden gehouden)

ALGEMEEN

- **Bewerk geen asbesthoudend materiaal** (asbest geldt als kankerverwekkend)
- Dit gereedschap mag niet worden gebruikt door personen onder de 16 jaar
- Tijdens het werken kan het geluidsniveau 85 dB(A) overschrijden; draag oorbeschermers
- Draag een veiligheidsbril bij het bewerken van splinterend materiaal
- Stof van materiaal zoals loodhoudende verf, sommige houtsoorten, mineralen en metaal kunnen schadelijk zijn (contact met of inademing van de stof kan allergische

reacties en/of ademhalingsziekten bij gebruiker of omstanders veroorzaken); **draag een stofmasker en werk met een stofopvangvoorziening als die kan worden aangesloten**

- Bepaalde soorten stof zijn geclassificeerd als kankerverwekkend (zoals stof van eiken en beuken), met name in combinatie met toevoegingsmiddelen voor houtverzorging; **draag een stofmasker en werk met een stofopvangvoorziening als die kan worden aangesloten**
- Neem voor de door u te bewerken materialen de nationale voorschriften aangaande stofopvang in acht
- Verwijder de batterij uit de machine voordat u instellingen verandert of een accessoire verwisselt

VOÓR GEBRUIK

- Verwijder, voordat u begint te zagen, alle obstakels zowel boven als onder het zaagvlak
- Voorkom schade, die kan ontstaan door schroeven, spijkers en andere voorwerpen in uw werkstuk; verwijder deze, voordat u aan een karwei begint

TIJDENS GEBRUIK

- Blijf met uw handen uit de buurt van het zaagblad tijdens het gebruik van de machine

ACCESSOIRES

- SKIL kan alleen een correcte werking van het gereedschap garanderen, indien originele accessoires worden gebruikt
- Gebruik geen beschadigd, vervormd of bot zaagblad

NA GEBRUIK

- Als u de machine wegzet moet de motor uitgeschakeld zijn en de bewegende delen tot stilstand zijn gekomen

BATTERIJEN

- **De meegeleverde accu is deels opgeladen** (om een volledige capaciteit van de accu te garanderen, moet u de accu volledig opladen in de oplader voordat u uw elektrische gereedschap voor de eerste keer gebruikt)
- **Gebruik uitsluitend de volgende batterijen en opladers voor deze machine**
 - SKIL-batterij: BR1*31****
 - SKIL-oplader: CR1*31****
- Gebruik de accu niet, wanneer deze beschadigd is; vervang deze onmiddellijk
- Haal de batterij niet uit elkaar
- Stel machine/batterij niet bloot aan regen
- Toegestane omgevingstemperatuur (machine/oplader/batterij):
 - bij het laden 4...40°C
 - bij het gebruik -20...+50°C
 - bij opslag -20...+50°C

UITLEG VAN SYMBOLEN OP GEREEDSCHAP/BATTERIJ

- ③ Lees de gebruiksaanwijzing vóór gebruik
- ④ Accu's exploderen als zij in vuur worden gegooid, dus verbrand de accu in geen geval
- ⑤ Bewaar het gereedschap/oplader/batterij op een plaats, waar de temperatuur niet hoger dan 50°C kan worden
- ⑥ Geef elektrisch gereedschap en batterijen niet met het huisvuil mee

GEBRUIK

- Opladen batterij
! lees de veiligheids waarschuwingen en -voorschriften die bij de oplader worden geleverd
- Verwijderen/installeren van de batterij ②
- Batterijniveau-indicator ⑦

- druk op de accu niveau-indicator knop H om het huidige batterijniveau aan te geven ⑦a

! Als de laagste accu niveau-indicator begint te knippen na het drukken van knop H ⑦b, is de accu leeg

! Als 2 niveaus van de accu-indicator beginnen te knippen na het drukken van knop H ⑦c, bevindt de batterij zich niet binnen het toegestane temperatuurbereik voor gebruik

- Led-lampje ⑭

- Led-lampje B gaat aan bij het activeren van de aan-/uit-schakelaar

! als het led-lampje gaat knippen is de accubescherming geactiveerd (zie hieronder)

- Batterijbescherming

De machine wordt plotseling uitgeschakeld of kan niet meer worden ingeschakeld, wanneer

- **de belasting is te hoog** -> verwijder de belasting en start opnieuw

- **de temperatuur van de accu ligt niet binnen het toegestane bedrijfstemperatuurbereik van -20 tot +50°C** --> 2 niveaus van de accu niveau-indicator beginnen te knippen als er op knop H ⑦c wordt gedrukt; wacht tot de accu weer binnen het toegestane bedrijfstemperatuurbereik zit

- **de accu bijna leeg is (ter bescherming tegen diepe ontlading)** --> er wordt een laag accuniveau of knipperend accuniveau ⑦b aangegeven door de accu niveau-indicator als er op knop H wordt gedrukt; accu opladen

! blijf niet op de aan/uit-schakelaar drukken nadat het gereedschap automatisch is uitgeschakeld; de batterij kan beschadigd worden

- Aan/uit ⑧

- schakel het gereedschap aan/uit door schakelaar A in stand "I/O" te zetten

- Snelheidsregeling ⑨

- met de draaiknop F kan de gewenste zaagsnelheid worden ingesteld

De optimale werksnelheid is afhankelijk van het materiaal en kan proefondervindelijk worden vastgesteld

Met de draaiknop F ingesteld op "A" wordt de onbelaste snelheid verlaagd voor het gecontroleerd starten

- tijdens het zagen neemt de snelheid automatisch toe tot volle snelheid

! het gereedschap keert pas na het opnieuw opstarten terug naar de verlaagde snelheid zonder belasting

- Vervangen van het zaagblad ⑩

! verwijder de batterij uit het gereedschap voordat u instellingen verandert of een accessoire verwisselt

! steek het zaagblad tot deze niet verder kan met de tanden naar voren gericht ⑪

- ! in het gereedschap passen vrijwel alle verkrijgbare zaagbladen met een T-schacht ⑩

- om het zaagblad uit te werpen, bedient u alleen de hendel van de bladklem C (u hoeft het zaagblad niet aan te raken)

- Zagen bij 45° ⑫

- Selecteren van de zaagmodus ⑬

Gebruik hendel D voor het instellen van de pendelbeweging van nauwkeurig (= 0) tot snel (= 3)

zagen

- 1 positie ("0") voor nauwkeurig zagen in alle materialen, recht + in bochten
- 3 posities voor snel zagen in verschillende materialen, alleen rechte zaagsneden

1 = aluminium, plastic

2 = hard hout

3 = zacht hout

! kies altijd "0" bij het zagen van splintergevoelig materiaal

- Stofzuiging ¹⁵
 - stofzuigeraansluitstuk J aansluiten op voetplaat
 - sluit de stofzuigerslang aan op het stofzuigeraansluitstuk J**! gebruik de stofzuiger niet bij het zagen van metaal**
- Werken met het gereedschap
 - zorg ervoor dat, voordat u de machine aanzet, de voorkant van de voetplaat goed vlak op het werkstuk rust
 - houd uw machine stevig met beide handen vast, zodat u deze altijd volledig onder controle hebt**! houd het gereedschap tijdens het werk altijd vast bij het (de) grijs gekleurde greepvlak(ken) ¹⁶**
 - zorg ervoor, dat de voetplaat over het hele oppervlak goed aansluit**! zorg ervoor, dat het zaagblad compleet tot stilstand is gekomen, voordat u het gereedschap van het werkstuk tilt**
 - houd ventilatie-openingen G ² onbedekt

TOEPASSINGSADVIES

- Gebruik de juiste zaagbladen ¹⁷
! in het gereedschap passen vrijwel alle verkrijgbare zaagbladen met een T-schacht
- Bij het zagen in metalen, het zaagblad regelmatig met olie invetten
- Boor voor het zagen van een uitsparing een gat ¹⁸
- Splintervrij zagen
 - bedek de zaaglijn met verscheidene lagen breed plakband, voordat u begint te zagen
 - leg de goede kant van het werkstuk altijd naar beneden
- Voor meer informatie zie www.skil.com

ONDERHOUD/SERVICE

- Dit gereedschap is niet bedoeld voor professioneel gebruik
- Houd het gereedschap schoon (met name de ventilatiesleuven G²)
! verwijder voor het reinigen de batterij uit het gereedschap
- Mocht het elektrische gereedschap ondanks zorgvuldige fabricage- en testmethoden toch defect raken, dient de reparatie te worden uitgevoerd door een erkende klantenservice voor SKIL elektrische gereedschappen - stuur het gereedschap **niet gedemonteerd**, samen met het aankoopbewijs, naar het verkoopadres of het dichtstbijzijnde SKIL service-station (de adressen evenals de onderdelentekening van de machine vindt u op www.skil.com)
- Denk erom, dat beschadigingen als gevolg van overbelasting of onjuist gebruik van de machine niet onder de garantie vallen (voor de garanti voorwaarden van SKIL zie www.skil.com of raadpleeg uw dealer)

MILIEU

- **Geef elektrisch gereedschap, batterijen, accessoires en verpakkingen niet met het huisvuil mee** (alleen voor EU-landen)
 - volgens de Europese richtlijn 2012/19/EG inzake oude elektrische en elektronische apparaten en de toepassing daarvan binnen de nationale wetgeving, dient afgedankt elektrisch gereedschap gescheiden te worden ingezameld en te worden afgevoerd naar een recycle-bedrijf, dat voldoet aan de geldende milieu-eisen
 - symbool ⁶ zal u eraan herinneren als u het gereedschap moet afdanken**! bescherm de batterij-contacten met stevig plakband voordat ze afgedankt worden, om kortsluiting te voorkomen**

GELUID / VIBRATIE

- Gemeten in navolging van EN62841 is het geluidsdrukkniveau van dit gereedschap 87 dB (A) en het geluidsvermogensniveau 98 dB (A) (onzekerheid K = 3 dB), en de trilling* (triax vector som; onzekerheid K = 1,5 m/s²)
 - * platen zagen 7,68 m/s²
 - * snijden van plaatmetaal 6,08 m/s²
- Het trillingsemissieniveau is gemeten in overeenstemming met een gestandaardiseerde test volgens EN 62841; deze mag worden gebruikt om twee gereedschappen met elkaar te vergelijken en als voorlopige beoordeling van de blootstelling aan trilling bij gebruik van het gereedschap voor de vermelde toepassingen
 - gebruik van het gereedschap voor andere toepassingen, of met andere of slecht onderhouden accessoires, kan het blootstellingsniveau aanzienlijk **verhogen**
 - wanneer het gereedschap is uitgeschakeld of wanneer het is ingeschakeld maar geen werk verricht, kan dit het blootstellingsniveau aanzienlijk **reduceren****! bescherm uzelf tegen de gevolgen van trilling door het gereedschap en de accessoires te onderhouden, uw handen warm te houden en uw werkwijze te organiseren**

S

Borstlös kompakt figursåg

3440

INTRODUKTION

- Detta verktyg är avsett för genomsågning och ursågning i trä, plast, metall, keramikplattor och gummi, och är lämplig för rak och kurvig sågning med en geringsvinkel upp till 45°
- Det här verktyget är inte avsedd för yrkesmässig användning
- Om delar saknas eller är skadade kontakta du återförsäljaren
- **Läs dessa instruktioner noggrant för användning och bevara dem för framtida bruk** ³
- **Uppmärksamma särskilt säkerhetsinstruktionerna**

och varningarna, om dessa inte följs kan det resultera i allvarliga personskador

TEKNISK DATA ①

VERKTYGSELEMENT ②

- A Strömbrytare
- B Lysdiodlampa
- C Verktygsfri klämma för bladbyte
- D Orbital Kontrollspak
- E Stöd
- F Ratt för justering av såghastighet
- G Ventilationsöppning
- H Knapp batterivivindikator
- J Dammugradapter
- K Sexkantsnyckel

SÄKERHET

ALLMÄNNA SÄKERHETSVARNINGAR FÖR ELVERKTYG

⚠ VARNING Läs igenom alla säkerhetsvarningar, instruktioner, illustrationer och specifikationer som medföljer detta elverktyg. Underlåtenhet att följa alla instruktioner som listas nedan kan resultera i elektriska stötar, brand och/eller allvarliga personskador.

Spara alla varningar och instruktioner för framtida referens

Termen "elverktyg" i varningarna syftar på ditt starkströmsdrivna (sladdanslutna) elverktyg eller batteridrivna (sladdlösa) elverktyg.

1) ARBETSPLATSSÄKERHET

- a) **Håll arbetsområdet rent och ordentligt upplyst.** Belamrade eller mörka områden inbjuder till olyckor.
- b) **Använd inte elverktyg i explosiva miljöer som t.ex. i närvaron av brandfarliga vätskor, gaser eller damm.** Elverktyg skapar gnistor vilka kan antända dammet eller ångorna.
- c) **Håll barn och åskådare borta medan elverktyget arbetar.** Störningarna kan göra att du tappar kontrollen.

2) ELEKTRISK SÄKERHET

- a) **Elverktygets kontakter måste matcha uttaget.** Modifiera aldrig kontakten på något sätt. Använd inte någon adapterkontakt med motordrivna verktyg som är jordade. Stickkontakter som inte modifierats och passar i eluttaget minskar risken för elektriska stötar.
- b) **Undvik kroppskontakt med jordanslutna eller jordade ytor såsom rör, värmelement, spisar och kylskåp.** Det finns en ökad risk för elektrisk stöt om din kropp är jordanslutna eller jordad.
- c) **Utsätt inte elverktyg för regn eller våta förhållanden.** Vatten som kommer in i ett elektriskt verktyg ökar risken för elektriska stötar.
- d) **Vanvärda inte sladden.** Använd aldrig kabeln för att bära, släpa eller dra ut kontakten för elverktyget. Håll kabeln borta från värme, olja, skarpa kanter och rörliga delar. Skadade eller tilltrasslade sladdar ökar risken för elektrisk stöt.
- e) **Vid användning av motordrivna verktyg utomhus,**

använd en förlängningskabel som är avsedd för utomhusbruk. Användning av en sladd som passar för utomhusanvändning minskar risken för elektrisk stöt.

- f) **Om du måste använda ett motordrivet verktyg i en fuktig miljö, använd en jordfelsbrytare.** En jordfelsbrytare minskar risken för elektriska stötar.
- #### 3) PERSONLIG SÄKERHET
- a) **Var uppmärksam och observant samt använd sunt förnuft när du använder ett elverktyg. Använd inte ett motordrivet verktyg om du är trött eller under påverkan av droger, alkohol eller medicin.** Ett ögonblick av uppmärksamhet under arbete med elverktyg kan resultera i allvarliga personskador.
 - b) **Använd personlig skyddsutrustning. Använd alltid skyddsglasögon.** Skyddsutrustning såsom andningsmask, halksäkra säkerhetsskor, skyddshjälm eller hörselskydd som används för lämpliga förhållanden minskar personskador.
 - c) **Förebygg oavsiktlig start. Se till att strömbrytaren är i fränläge innan du ansluter till strömkällan och/eller batteripaketet, plockar upp eller bär verktyget.** Att bära elverktyget med fingret på strömbrytaren eller verktyg som är påslagna inbjuder till olyckor.
 - d) **Ta bort inställningsnycklar eller skiftnycklar innan elverktyget slås på.** En skiftnyckel eller en nyckel som sitter kvar på en roterande del av elverktyget kan resultera i personskada.
 - e) **Sträck dig inte för långt. Ha ordentligt fotfäste och balans hela tiden.** Detta möjliggör bättre kontroll av elverktyget i oväntade situationer.
 - f) **Klä dig på lämpligt sätt. Bär inte löst sittande kläder eller smycken. Håll hår och klädsel på avstånd från de rörliga delarna.** Löst sittande kläder, smycken och långt hår kan fastna i rörliga delar.
 - g) **Om enheter har anslutning för dammuppsamlare och anslutningsmöjligheter, se till att de är anslutna och används på korrekt sätt.** Användning av dammuppsamlare kan minska dammrelaterade faror.
 - h) **Var alltid uppmärksam vid användning av verktyget, även efter många användningstillfällen, och ignorera inte verktygets säkerhetsprinciper.** En vårdslös handling kan orsaka allvarliga personskador inom bråkdelen av en sekund.
- #### 4) ANVÄNDNING OCH SKÖTSEL AV ELVERKTYG
- a) **Tvinga inte elverktyget. Använd ett korrekt elverktyg för ditt arbete.** Ett korrekt elverktyg utför jobbet bättre och säkrare om det används för rätt arbete.
 - b) **Använd inte elverktyget om strömbrytaren inte kan slås på eller stängas av.** Ett elverktyg som inte kan kontrolleras med strömbrytaren är farligt och måste repareras.
 - c) **Koppla ur stickkontakten från strömkällan och/eller ta bort batteripaketet, om det är löstagbart, från elverktyget innan du utför justeringar, byter tillbehör eller förvarar elverktyget.** Dessa förebyggande säkerhetsåtgärder minskar risken för att elverktyget startas oavsiktligt.
 - d) **Förvara elverktyg som går på tomgång utom räckhåll för barn och låt inte personer som är ovana med elverktyget eller dessa instruktioner använda elverktyget.** Elverktyg är farliga i händerna på utbildade användare.
 - e) **Underhåll av elverktyg och tillbehör. Kontrollera**

felinställningar eller om rörliga delar har fastnat, bristning hos delar och andra eventuella förhållanden som kan komma att påverka elverktygets funktion. Om skadad, lämna in elverktyget för reparation innan det används. Många olyckor beror på dåligt underhållna elverktyg.

- f) **Håll kapverktyg vassa och rena.** Ordentligt underhållna kapverktyg med vassa sågkanter är mindre sannolika att fastna och är lättare att kontrollera.
- g) **Använd elverktyget, tillbehör, verktygsbits osv. i enlighet med dessa instruktioner och ta hänsyn till arbetsförhållanden och det arbete som ska utföras.** Om elverktyget används för andra arbeten än det är avsett för kan det resultera i farliga situationer.
- h) **Håll handtagen och greppytorna torra, rena och fria från olja och fett.** Hala handtag och greppytor förhindrar säker hantering och kontroll av verktyget vid oväntade situationer.
- 5) **ANVÄNDNING OCH SKÖTSEL AV BATTERIDRIVET VERKTYG**
- a) **Ladda endast med den laddare som rekommenderas av tillverkaren.** En laddare som är lämplig för en typ av batteripaket kan skapa en risk för brand när den används med ett annat batteripaket.
- b) **Använd endast elverktyg med deras särskilt avsedda batteripaket.** Användning av andra batteripaket kan medföra risk för personskador och eld.
- c) **När batteripaketet inte används, håll det borta från metallobjekt som t.ex. pappersgem, mynt, nycklar, spikar, skruvar och andra små metallobjekt som kan bilda en anslutning från en batterikontakt till den andra.** Kortslutning av batteriets terminaler kan orsaka brännskador eller en brand.
- d) **Under olämpliga förhållanden kan vätska spruta ut från batteriet. Undvik kontakt. Vid oavsiktlig kontakt, spola med vatten. Om vätskan kommer i kontakt med ögonen, sök också läkarhjälp.** Vätska som sprutar ur batteriet kan orsaka sveda och brännskador.
- e) **Använd inte ett batteripaket eller verktyg som skadats eller modifierats.** Skadade eller modifierade batterier kan leda till oförutsägbart uppträdande som leder till brand, explosion eller risk för personskador.
- f) **Utsätt inte batteripaketet eller verktyget för eld eller extrema temperaturer.** Exponering av eld eller temperaturer över 130 °C kan orsaka explosion.
- g) **Följ alla laddningsinstruktioner och ladda inte batteripaketet eller verktyget utanför det temperaturområde som anges i instruktionerna.** Felaktig laddning eller vid temperaturer utanför angivet temperaturområde kan skada batteriet och ökar risken för brand.
- 6) **SERVICE**
- a) **Lämna ditt elverktyg för service hos en kvalificerad servicetekniker som endast använder identiska utbytesdelar.** Det garanterar att säkerheten hos elverktygets bibehålls.
- b) **Utför aldrig service på skadade batteripaket.** Service av batteripaket bör endast utföras av tillverkaren eller auktoriserade serviceverkstäder.

SÄKERHETSANVISNINGAR FÖR SLADDLÖSA FIGURSÅGAR

- **Håll verktyget i de isolerade greppytorna när ett arbete utförs där fästelementet kan komma i kontakt med dolda kablar** (fästelement som kommer i kontakt med en strömförande ledning kan orsaka att även verktygets exponerade metalldelar blir strömförande, vilket utgör risk för att användaren utsätts för elektriska stötar)
- **Använd klämmor eller något annat praktiskt sätt att säkra och stötta arbetsstycket mot en stabil plattform** (om du håller arbetsstycket i handen eller mot kroppen blir det instabilt, vilket kan leda till att du tappar kontrollen)

ALLMÄNT

- **Asbesthaltigt material får inte bearbetas** (asbest anses vara cancerframkallande)
- Den här maskinen ska inte användas av personer under 16 år
- Ljudnivån vid arbete kan överskrida 85 dB(A); använd hörselskydd
- Använd skyddsglasögon vid spånbildande material
- Viss typ av damm, exempelvis färg som innehåller bly, vissa träsorter, mineraler och metaller kan vara hälsovådliga om de inhaleras (hudkontakt eller inhalering kan ge allergisk reaktion och/eller luftvägsproblem/sjukdom hos personer i närheten); **använd andningsskydd och arbeta med en dammuppsamlare om sådan anslutning finns**
- Vissa typer av damm är klassificerade så som cancerframkallande (t.ex. ek- och björkdamm) särskilt i kombination med tillsatser för träbehandling; **använd andningsskydd och arbeta med en dammuppsamlare om sådan anslutning finns**
- Följ de nationella krav, som finns angående damm, för de material du skall arbeta med
- titta aldrig ner i luftutsläppet/munstycket

FÖRE ANVÄNDNINGEN

- Se till att arbetsområdet är fritt från föremål innan du startar arbetet
- Undvik skador genom att ta bort skruvar, spikar eller andra föremål ur arbetsstycket; ta dem bort innan du startar ett arbete

UNDER ANVÄNDNINGEN

- Håll händerna från sågbladet när maskinen är igång

TILLBEHÖR

- SKIL kan endast garantera att maskinen fungerar felfritt om originaltillbehör används
- Använd inte en trasig, deformationerad eller slö blad

EFTER ANVÄNDNINGEN

- När du ställer ifrån dig maskinen måste motorn vara fränslagen och de rörliga delarna ska ha stannat fullständigt

BATTERIER

- **Det medföljande batteriet är delvis laddat** (i syfte att garantera batteriets fulla kapacitet ska det laddas fullt i batteriladdaren innan verktyget används för första gången)
- **Använd endast följande batterier och laddare med det här verktyget**
 - SKIL-batteri: BR1*31****
 - SKIL-laddare: CR1*31****
- Använd aldrig batteriet när det är skadat; det skall omedelbart bytas ut
- Demontera inte batteriet
- Utsätt inte verktyget/batteriet för regn
- Tillåten omgivningstemperatur (verktyg/laddare/batteri):

- vid laddning 4...40 °C
- vid drift -20...+50 °C
- vid förvaring -20...+50 °C

FÖRKLARING AV SYMBOLER PÅ VERKTYGET/ BATTERIET

- ③ Läs bruksanvisningen före användning
- ④ Batterierna kan explodera om de utsätts för eld så bränn inte batteriet av något skäl
- ⑤ Förvara verktyget/laddaren/batteriet i lokaler, där temperaturen inte överstiger 50 °C
- ⑥ Kasta inte elektriska verktyg och batterier i hushållssoptorna

ANVÄNDNING

- Laddning av batteri
! läs säkerhetsvarningarna och anvisningarna som medföljde laddaren
- Borttagning/installation av batteriet ②
- Batterinivåindikator ⑦
 - tryck på indikatorknappen för batterinivå H för att visa nuvarande batterinivå ⑦a
 - ! när den lägsta nivån hos batteriindikatorn börjar blinka efter att knappen H ⑦b tryckts in är batteriet tomt**
 - ! när två nivåer av batteriindikatorn börjar blinka efter att knappen H ⑦c tryckts in är inte batteriet inom tillåtet drifttemperaturområde**
- LED-lampa ⑭
 - LED-lampa B tänds automatiskt när strömbrytaren aktiveras
 - ! när LED-arbetslampan börjar att blinka, är batteriskyddet aktiverat (se nedan)**
- Batteriskydd
Verktyget stängs plötsligt av eller förhindras att startas när
 - **belastningen är alltför hög** --> ta bort belastning och starta om
 - **batteriets temperatur är inte inom tillåtet drifttemperaturområde på -20 till +50 °C** --> två nivåer på batteriindikatorns nivåindikator börjar blinka när knappen H ⑦c trycks in; vänta tills batteriet har återgått till tillåtet drifttemperaturområde
 - **batteriet är nästan tomt (för att skydda mot djup urladdning)** --> en låg batterinivå eller blinkande låg batterinivå ⑦b visas av batterinivåindikatorn när knappen H trycks in; ladda batteriet
 - ! fortsätt inte trycka på strömbrytaren efter att verktyget stängts av automatiskt; batteriet kan skadas**
- På/av ⑧
 - starta/stäng av maskinen genom att sätta omkopplaren A i läget "I/O"
- Hastighetskontroll ⑨
 - med ratt F kan önskad såghastighet väljas
 - Den optimala arbetshastigheten beror på materialet och kan bäst avgöras genom att prova sig fram
 - Med ratten F inställd på "A" reduceras tomgångshastigheten för kontrollerad start
 - vid sågning ökar hastigheten automatiskt till full hastighet
 - ! verktyget kommer endast att återgå till den reducerade tomgångshastigheten efter omstart**
- Byta sågblad ⑩

! ta bort batteriet från verktyget innan du gör några justeringar eller byter tillbehör

! sätt i sågbladet till fullt djup med tänderna riktade framåt ⑪

- verktyget accepterar de mest vanliga tillgängliga blad med T-skaft ⑩
- för att mata ut bladet, använd endast spaken på bladklämman C (du behöver inte röra bladet)
- Sågning vid 45° ⑫
- Välja sågläge ⑬
- Använd spaken D för att reglera den pendlande rörelsen från precisionssägning (= 0) till snabbsågning (= 3)
 - 1 läge ("0") för precisionssägning i alla material, rak + kurvig
 - 3 inställningar för sågning i olika material, endast rak sågning
 - 1 = aluminium, plast
 - 2 = hårt trä
 - 3 = mjukt trä
- ! välj alltid "0" när sågning görs i splitterkänsligt material**
- Dammsugning ⑮
 - anslut dammsugaradaptern J till fotplattan
 - anslut dammsugarlangan till dammsugaradaptern J
 - ! använd inte dammsugare för sågning i metall**
- Använda verktyget
 - innan maskinen sätts på, försäkra dig om att fotplattans framsidan ligger plant på arbetsstycket
 - håll maskinen stadigt så att Du har full kontroll hela tiden
 - ! under arbetet, håll alltid verktyget i det gråfärgade greppområdet ⑯**
 - försäkra dig om att fotplattan ligger an mot arbetsstycket över hela ytan
 - ! försäkra dig om att bladet helt har stannat innan maskinen lyfts från arbetsstycket**
 - håll ventilationsöppningarna G ② fria

ANVÄNDNINGSTIPS


- Använd rätt sågblad ⑰
- ! verktyget accepterar de flesta vanligare sågblad med T-skaft**
- För sågning i metall, olja in sågbladet regelbundet
- Förborra ett hål innan du börjar såga ur ⑱
- Splitterfri sågning
 - täck snittlinjen med flera lager av breda tejp innan du börjar såga
 - lägg alltid den finaste sidan av arbetsstycket nedåt
- Besök www.skil.com för mer information

UNDERHÅLL/SERVICE

- Det här verktyget är inte avsedd för yrkesmässig användning
- Håll alltid verktyget rent (i synnerhet ventilationsöppningarna G ②)
- ! ta bort batteriet från verktyget före rengöring**
- Om i elverktyget trots exakt tillverkning och sträng kontroll störning skulle uppstå, bör reparation utföras av auktoriserad serviceverkstad för SKIL elverktyg
 - skicka verktyget **odemonterat** tillsammans med inköpsbevis till försäljaren eller till närmaste SKIL serviceverkstad (adresser samt sprängskisser av verktyget finns på www.skil.com)

- Observera att skada till följd av ovarsamhet eller överbelastning inte täcks av garantin (för SKIL garantivillkor gå till www.skil.com eller fråga återförsäljaren)

MILJÖ

- **Elektriska verktyg, batterier, tillbehör och förpackning får inte kastas i hushållssoporna** (gäller endast EU-länder)
 - enligt europeiska direktivet 2012/19/EG avseende avfall från elektrisk och elektronisk utrustning och dess tillämpning enligt nationell lagstiftning ska uttjänta elektriska verktyg sorteras separat och lämnas till miljövänlig återvinning
 - symbolen  kommer att påminna om detta när det är dags för avyttring
- ! **före avyttring av batterierna, tejpa kontaktytorna med kraftig tejp för att undvika kortslutning**

LJUD / VIBRATION


- Det här verktygets ljudtrycksnivå som uppmätts i enlighet med EN62841 och ljudtrycksnivån för detta verktyg är 87 dB(A) och ljudeffektnivån 98 dB(A) (osäkerhet K = 3 dB) och vibrationen (triaxvektorsumma; osäkerhet K = 1,5 m/s²)
 - * vid kapning av skivor 7,68 m/s²
 - * sågning av plåt 6,08 m/s²
 - Vibrationsemissionsvärdet har uppmätts i enlighet med ett standardiserat test angivet i EN62841; detta värde kan användas för att jämföra ett verktyg med ett annat och som en ungefärlig uppskattning av hur stor vibration användaren utsätts för när verktyget används enligt det avsedda syftet
 - om verktyget används för annat arbete än det avsedda syftet eller med fel eller dåligt underhållna tillbehör kan detta drastiskt **öka** exponeringsnivån
 - när verktyget stängts av eller körs men inte utför arbetet, kan detta avsevärt **minska** exponeringsnivån
- ! skydda dig mot effekterna av vibrationer genom att underhålla verktyget och dess tillbehör, hålla händerna varma och organisera ditt arbetsmönster**

DK

Børsteløs kompakt stiksav

3440

INTRODUKTION

- Dette værktøj er beregnet til at gennemsave emner og udføre udsnit i træ, kunststof, metal, og er egnet til lige og kurvede snit med en geringsvinkel på indtil 45°
- Dette værktøj er ikke beregnet til professionelt brug
- Kontakt venligst din forhandler, hvis dele mangler eller er beskadiget
- **Læs denne brugsanvisning omhyggeligt igennem, inden støvsugeren bruges, og gem brugsanvisningen til senere brug** 
- **Vær særlig opmærksom på sikkerhedsinstruktionerne og advarslerne; gøres dette ikke, kan det medføre alvorlige skader**

TEKNISKE DATA

VÆRKTØJETS DELE

- A Tænd/sluk-knap
- B LED-lys
- C Værktøjsfri klingeclømme
- D Drejestyrehåndtag
- E Fodplade
- F Hjul til hastighedsvalg
- G Ventilationshuller
- H Knap til batteriniveau-indikator
- J Støvsugeradaptore
- K Sekskantnogle

SIKKERHED

GENERELLE SIKKERHEDSADVARSLER OM ELEKTRISKE APPARATER

 **ADVARSEL** Læs alle sikkerhedsadvarsler, anvisninger, billeder og specifikationer, der følger med dette elværktøj. Hvis anvisningerne nedenfor ikke følges, kan det føre til elektrisk stød, brand og/eller alvorlig personskade.

Gem alle advarsler og instruktioner til fremtidig reference.

Udtrykket "elværktøj" i advarslerne henviser til eldrevet (ledningsforbundet) og batteridrevet (ledningsfrit) elværktøj.

- 1) **SIKKERHED PÅ ARBEJDSPLADSEN**
 - a) **Sørg for, at arbejdsområdet er rent og godt belyst.** Et rodet eller mørkt område kan føre til ulykker.
 - b) **Brug ikke elværktøj i eksplosive atmosfærer, såsom ved tilstedeværelse af brændbare væsker, gasser eller støv.** Elværktøj kan slå gnister og antænde støv og dampe.
 - c) **Hold børn og tilskuere på afstand, når et elværktøj er i brug.** Distractioner kan medføre, at du mister kontrollen.
- 2) **SIKKERHED OMKRING ELEKTRICITET**
 - a) **Stikket på elværktøjet skal passe i stikkontakten. Stikket må på ingen måde ændres. Brug ikke adapterstik sammen med jordede (jordforbundne) elværktøj.** Uændrede stik, der passer til stikkontakterne, nedsætter risikoen for elektrisk stød.
 - b) **Undgå kropskontakt med jordforbundne overflader, såsom rør, radiatorer, komfurer og køleskabe.** Der er øget risiko for elektrisk stød, hvis din krop er jordforbundet.
 - c) **Elværktøj må ikke udsættes for regn eller våde forhold.** Vand kommer ind et elværktøj øger risikoen for elektrisk stød.
 - d) **Ledningen må ikke mishandles. Brug aldrig ledningen til at bære eller trække elværktøjet eller til at trække stikket ud af stikkontakten. Hold ledningen væk fra varme, olie, skarpe kanter og bevægelige dele.** Beskadigede eller sammenfiltrede ledninger, øger risikoen for elektrisk stød.
 - e) **Når et elværktøj bruges udendørs, skal der bruges en forlængerledning, der er egnet til udendørs brug.**

Brug af en egnet ledning til udendørs brug, reducerer risikoen for elektrisk stød.

- f) **Hvis det ikke kan undgås at benytte apparatet i fugtige omgivelser, så brug et stik med fejlstrømsrelæ.** Anvendelse af et fejlstrømsrelæ mindsker risikoen for elektrisk stød.
- 3) **PERSONLIG SIKKERHED**
 - a) **Vær forsigtig, hold øje med hvad du laver, og brug din sunde fornuft, når du bruger et elværktøj. Brug ikke apparatet, hvis du er træt eller er påvirket af narkotika, alkohol eller medicin.** Et øjeblikks uopmærksomhed, kan føre til alvorlige personskader.
 - b) **Brug personligt beskyttelsesudstyr. Brug altid beskyttelsesbriller.** Værnemidler såsom støvmaske, skridsikre sikkerhedssko, hjelm eller høreværn, der anvendes til passende betingelser nedsætter risikoen for personskader.
 - c) **Forhindre utilsigtet start. Sørg for, at tænd/slukknappen er slukket, inden apparatet sluttes til strømkilden eller batteripakken, samt inden det løftes op eller bæres rundt.** Hvis elværktøjer bæres med fingeren på kontakten, eller oplades med tænd/slukknappen tændt, øger det risikoen for ulykker.
 - d) **Fjern indstillingsværktøj eller skruenøgler, før elværktøjet startes.** En skruenøgle eller en nøgle sidder i en roterende del af elektrisk værktøj, kan resultere i personskade.
 - e) **Undgå at række for langt frem. Sørg altid for at stå ordentligt fast og i god balance.** Dette giver bedre kontrol af det elektriske værktøj når uventede situationer.
 - f) **Brug passende tøj. Undgå, at bære løstsiddende tøj eller smykker. Hold hår og tøj fra bevægelige dele.** Løse tøj, smykker eller langt hår kan blive fanget i bevægelige dele.
 - g) **Hvis der monteres tilbehør til opsamling af støv eller andet, skal det sikres, at disse monteres og bruges korrekt.** Brug af støvindsamlingsenheder, kan reducere støv-relaterede risici.
 - h) **Selvom du ofte bruger og har et godt kendskab til værktøjer, må du ikke være overmodig eller glemme sikkerhedsprincipperne.** En uagtsom handling kan forårsage alvorlig skade i en brøkdæl af et sekund.
- 4) **BRUG OG PLEJE AF ELVÆRKTØJET**
 - a) **Elværktøjet må ikke tvinges under brug. Brug det korrekte elværktøj til formålet.** Det rigtige elværktøj gør arbejdet bedre og mere sikkert, da det er beregnet til formålet.
 - b) **Brug ikke elværktøjet, hvis kontakten ikke kan tænde og slukke.** Alt elværktøj, hvor kontakterne ikke dur, er farligt og skal repareres.
 - c) **Træk stikket til apparatets strømforsyning ud af stikkontakten og/eller fjern batteripakken hvis dette er muligt, inden du foretager justeringer, skifter tilbehør eller lægger elværktøjet til opbevaring.** Sådanne forebyggende sikkerhedsforanstaltninger mindsker risikoen for at starte elværktøjet utilsigtet.
 - d) **Opbevar elværktøjet, der ikke bruges, utilgængeligt for børn, og tillad ikke personer, der ikke kender elværktøjet eller disse anvisninger, at bruge elværktøjet.** Elværktøj er farligt i hænderne på brugere, der ikke ved, hvordan det skal bruges.
 - e) **Vedligehold elværktøj og tilbehør. Kontroller, at de bevægelige dele ikke er fejljusterede eller binder**

eller er i en tilstand, der kan påvirke elværktøjets drift. Få beskadigede elværktøjet repareret før brug. Mange ulykker er forårsaget af dårligt vedligeholdt elværktøj.

- f) **Hold skæreværktøj skarpe og rene.** Skæreværktøjer med skarpe kanter, der vedligeholdes ordentligt, er mindre tilbøjelige til at binde og er lettere at styre.
- g) **Elværktøjet, tilbehør og bits osv. skal bruges i overensstemmelse med disse instruktioner, hvor arbejdsforholdene og arbejdet, der skal udføres, skal tages i betragtning.** Anvendelse af elværktøj til andre formål end dem, de er beregnet til, kan medføre en farlig situation.
- h) **Hold håndtag og gribeblader tørre, rene og fri for olie og fedt.** Glatte håndtag og glatte overflader, der holdes i, gør værktøjet farligt at bruge i uventede situationer.
- 5) **BRUG OG PLEJE AF BATTERIVÆRKTØJER**
 - a) **Genoplad kun med opladeren er angivet af fabrikanten.** Hvis en oplader, der er egnet til én slags batteri, bruges med en anden slags batteri, kan det føre til brand.
 - b) **Anvend kun elektrisk værktøj med særligt udpegede batteripakker.** Brug af andre batterier kan skabe risiko for personskade og brand.
 - c) **Når batteripakken ikke er i brug, skal den holdes væk fra andre metalgenstande som papirclips, mønter, nøgler, søm, skruer eller andre små metalgenstande, der kan skabe forbindelse fra en pol til en anden.** Shorting batteripolerne sammen kan forårsage forbrændinger eller brand.
 - d) **Ved forkert brug kan der slippe væske ud af batteriet: Undgå kontakt. Hvis det alligevel skulle ske, skylles med vand. Hvis væsken kommer i øjnene, skal man også søge læge.** Væske fra batteriet kan forårsage irritation eller forbrændinger.
 - e) **Anvend ikke et batteri eller et værktøj, der er beskadiget eller modificeret.** Beskadigede eller modificerede batterier kan opføre sig uforudsigeligt og forårsage brand, eksplosion eller risiko for personskade.
 - f) **Udsæt ikke et batteri eller et værktøj for ild eller for høj temperatur.** Udsættelse for ild eller temperaturer over 130 °C kan forårsage eksplosion.
 - g) **Følg alle anvisninger vedrørende opladning, og oplad ikke batteriet eller værktøjet uden for temperaturområdet, der står i anvisningerne.** Forkert opladning eller temperaturer uden for det angivne område kan beskadige batteriet og øge risikoen for brand.
- 6) **SERVICE**
 - a) **Dit elværktøj skal repareres af en kvalificeret person, og der må kun bruges identiske reservedele.** På denne måde sikrer man, at elværktøjet forbliver sikkert at bruge.
 - b) **Udfør aldrig selv service på beskadigede batterier.** Service på batterier må kun udføres af producenten eller godkendte servicecentre.

SIKKERHEDSINSTRUKSER TIL BATTERIDREVNE STIKSAVE

- **Hold elværktøjet i de isolerede gribeblader, når der udføres arbejde, hvor skruen kan komme i kontakt med skjulte ledninger (kontakt med en**

spændingsførende dele kan også sætte elværktøjets metaldele under spænding, hvilket kan give brugeren elektrisk stød)

- **Brug klemmer eller en anden praktisk måde til at fastgøre og støtte arbejdsemnet på en stabil platform** (hvis du holder arbejdsemnet i hånden eller mod kroppen, kan du miste kontrol over værktøjet)

GENERELT

- **Bearbejd ikke asbestholdigt materiale** (asbest er kræftfremkaldende)
- Dette værktøj må ikke bruges af personer under 16 år
- Under arbejde med værktøjet kan lydniveauet overstige 85 dB(A); brug høreværn
- Bær beskyttelsesbriller ved bearbejdning af spånproducerende materialer
- Støv fra materiale som f.eks. maling, der indeholder bly, nogle træsorter, mineraler og metal kan være skadeligt (kontakt med eller indånding af støvet kan forårsage allergiske reaktioner og/eller sygdomme i luftvejene hos den, der anvender værktøjet, eller hos omkringstående). **Brug en støvmaske og arbejd med en støvudsugningsanordning, hvor en sådan kan sluttes til**
- Bestemte former for støv er klassificeret som kræftfremkaldende (som f.eks. støv fra eg og bøg) især i forbindelse med tilsætningsstoffer til træbehandling. **Brug en støvmaske og arbejd med en støvudsugningsanordning, hvor en sådan kan sluttes til**
- Følg de nationale krav, hvad angår støv, for de materialer, du ønsker at arbejde med
- Fjern batteriet fra værktøjet, før du foretager justeringer på værktøjet eller udskifter tilbehør

INDEN BRUG

- Fjern alle genstande såvel ovenpå som nedenunder savlinien, før De begynder at save
- Undgå skader forårsaget af skruer, søm eller andre materialer i arbejdsstykket; fjern disse før De begynder at arbejde

UNDER BRUG

- Hold hænderne væk fra savklingen, når værktøjet er i gang

TILBEHØR

- SKIL kan kun sikre en korrekt funktion af værktøjet, hvis der benyttes originalt tilbehør
- Brug aldrig savklinger der er sløve, skæve eller på anden måde beskadigede

EFTER BRUG

- Efter endt arbejde skal afbryderen afbrydes og alle bevægelige dele være stoppet før værktøjet sættes til side

BATTERIER

- **Det medfølgende batteri er delvist opladet** (for at sikre fuld kapacitet af batteriet skal det oplades helt i batteriopladeren, inden du anvender dit elværktøj første gang)
- **Anvend kun de følgende batterier og batteriopladere, der leveres med dette værktøj**
 - SKIL-batteri: BR1*31****
 - SKIL-oplader: CR1*31****
- Brug ikke batteriet, hvis det er beskadiget. Det bør erstattes straks
- Adskil ikke batteriet
- Udsæt ikke værktøjet/batteriet for regn
- Tilladt omgivelsestemperatur (værktøj/oplader/batteri):

- ved opladning 4...40°C
- ved drift -20...+50°C
- ved opbevaring -20...+50°C

FORKLARING TIL SYMBOLERNE PÅ VÆRKTØJET/ BATTERI

- ③ Læs instruktionen inden brugen
- ④ Batterier vil eksplodere, hvis de kommer i ild, så forsøg aldrig at brænde batteriet
- ⑤ Opbevar værktøj/opladeren/batteriet i et lokale, hvor temperaturen ikke overstiger 50°C
- ⑥ Elværktøj og batterier må ikke bortskaffes som almindeligt affald

BETJENING

- Opladning af batteriet
 - ! **Læs sikkerhedsadvarslerne og -anvisningerne, der følger med opladeren**
- Montering/fjernelse af batteriet ②
- Indikator for batteritilstand ⑦
 - Tryk på knappen for batteristand H for at se batteriets aktuelle status ⑦a
 - ! **Når batteri-indikatorens nederste niveau blinker, når der trykkes på knappen H ⑦b, er batteriet tomt.**
 - ! **Når batteri-indikatorens 2. niveau blinker, når der trykkes på knappen H ⑦c, er batteriet uden for den tilladte driftstemperatur.**
- LED-lys ⑭
 - LED-lys B lyser automatisk, når tænd/sluk-knappen tændes.
 - ! **Når LED-arbejdslyset begynder at blinke, er batteribeskyttelsen slået til (se nedenfor)**
- Batteribeskyttelse
 - Værktøjet slukker eller det kan ikke tændes, når **belastning er for høj** --> fjern belastningen og start værktøjet igen
 - **batteritemperaturen er ikke inden for det tilladte område på -20 til +50 °C** -> 2 af trinene på batteri-indikatoren begynder at blinke, når der trykkes på knappen H ⑦c. Vent, indtil batteriet er tilbage inden for det tilladte temperaturområde
 - **batteriet er næsten tomt (for at beskytte mod dyb afladning)** -> batteri-indikatoren viser et lavt batteriniveau eller blinkende lavt batteriniveau ⑦b, når der trykkes på knappen H. Oplad batteriet
 - ! **Undlad at betjene kontakten, efter at der er slukket for værktøjet, da det kan beskadige batteriet**
- Tænd/sluk ③
 - tænd/sluk værktøjet ved, at sætte tænd/sluk-knap A på »I/O«
- Hastighedsknap ③
 - den ønskede savhastighed kan vælges med drejeknappen F
 - den optimale hastighed afhænger af materialet og kan bestemmes ud fra praktiske forsøg
 - Når drejeknappen F sættes på "A" reduceres hastigheden uden belastning for, at opnå en kontrolleret start
 - når der saves, øges hastigheden automatisk til fuld hastighed
 - ! **værktøjet går kun tilbage til den reducerede hastighed uden belastning efter genstart**
- Udskifting af savklinge ⑩
 - ! **fjern batteriet fra værktøjet, før du foretager justeringer på værktøjet eller udskifter tilbehør**

! Isæt savklingen i fuld dybde med tænderne pegende fremad ⑪

- værktøj kan bruges med de fleste almindelige savklinger med T-skaft ⑩
- for at trykke klingen ud, må du kun bruge håndtaget på klingelemmen C (det er ikke nødvendigt at røre ved klingen)

- Savning ved 45° ⑫
- Valg af savfunktion ⑬

- Benyt armen D til at indstille pendul bevægelsen fra akkurat savning (= 0) til hurtig savning (= 3)
- 1 position ("0") til akkurat savning i alle materialer, lige + kurvede snit
- 3 positioner til hurtig savning i forskellige materialer, kun lige snit

1 = aluminium, plastik

2 = hårdt træ

3 = blødt træ

! vælg altid "0" ved savning i materialer der let splintre

- Støvudsugning ⑮
- tilslut støvsugeradapter J til fodpladen
- tilslut støvsugerslangen til støvsugeradapteren J

! brug ikke støvsuger ved savning i metal

- Betjening af værktøjet
- før værktøjet tændes, skal forenden af sålen være placeret fladt imod arbejdsemnet
- hold om værktøjet med et fast greb, således at De til enhver tid har kontrol over værktøjet

! Når værktøjet bruges, skal du altid holde værktøjet på de grå markerede grebsområde(r) ⑯

- vær sikker på, at sålen ligger sikkert på hele fladen

! vær sikker på, at savklingen står fuldstændigt stille, før De løfter værktøjet væk fra arbejdsemnet

- hold ventilationshullerne G ② utildækkede

GODE RÅD

- Brug rigtige savklinger ⑰
- **værktøjet kan bruges med de fleste almindelige savklinger med T-skaft**
- Ved savning i metal, sørg for at smøre savklingen jævnlig med olien
- Forbor et hul i materialet, før De udfører udsnit ⑱
- Splintfri savning
- dæk snitlinien med flere lager af bredt tape før De begynder at save
- læg altid den pæneste side af arbejdsemnet nedad
- Se yderligere oplysninger på www.skil.com

VEDLIGEHODELSE/SERVICE

- Dette værktøj er ikke beregnet til professionelt brug
- Hold altid værktøjet rent (særligt ventilationshullerne G ②)
- **! Tag batteriet ud af værktøjet inden rengøring**
- Skulle elværktøjet trods omhyggelig fabrikation og kontrol skulle holde op med at fungere, skal reparationen udføres af et autoriseret serviceværksted for SKIL-elektroværktøj
- send det ikke **adskilte** værktøj sammen med et købsbevis til forhandleren eller nærmeste SKIL-serviceværksted (adresser og reservedelstegning af værktøjet findes på www.skil.com)
- Husk, at beskadigelse som følge af overbelastning

eller forkert håndtering af værktøjet ikke er omfattet af garantien (se www.skil.com vedrørende SKIL-garantibetingelserne, eller spørg din forhandler)

MILJØ

- **Elværktøj, batterier, tilbehør og emballage må ikke bortskaffes som almindeligt affald** (kun for EU-lande)
- i henhold til det europæiske direktiv 2012/19/EF om bortskaffelse af elektriske og elektroniske produkter og gældende national lovgivning, skal brugt elværktøj indsamles separat og bortskaffes på en måde, der skåner miljøet mest muligt
- symbolet ⑥ erindr dig om dette, når udskiftning er nødvendig
- **! Beskyt batteri terminaler med bredt tape for at undgå kortslutning**

STØJ / VIBRATION

- Målt i henhold til EN62841, dette værktøjs lydtrykniveau er 87 dB (A) og lydeffektniveauet er 98 dB (A) (usikkert K = 3 dB) og vibrationen* (triaksvektorsum; usikkert K = 1,5 m/s²)
- *savning af brædder 7,68 m/s²
- *skæring i metalplade 6,08 m/s²
- Vibrationsniveauet er målt i henhold til den standardiserede test som anført i EN62841. Det kan benyttes til at sammenligne to stykker værktøj og som en foreløbig bedømmelse af udsættelsen for vibrationer, når værktøjet anvendes til de nævnte form
- anvendes værktøjet til andre formål eller med andet eller dårligt vedligehold tilbehør, kan dette **øge** udsættelsesniveauet betydeligt
- de tidsrum, hvor værktøjet er slukket, eller hvor det kører uden reelt at udføre noget arbejde, kan **reducere** udsættelsesniveauet betydeligt
- **! Beskyt dig selv imod virkningerne af vibrationer ved at vedligeholde værktøjet og dets tilbehør, ved at holde dine hænder varme og ved at organisere dine arbejdsmonstre**

N

Børsteløs kompakt stikksag

3440

INTRODUKSJON

- Dette værktøjet er beregnet for å lage gjennomskjæringer og utskjæringer i tre, plast, metall og er egnet for rette og buede kutt med gjæringsvinkler til 45°
- Dette værktøjet er ikke beregnet for profesjonell bruk
- Når deler mangler eller er skadet, vennligst kontakt din forhandler
- **Les denne bruksanvisningen nøye før bruk og lagre den for fremtidig referanse ③**
- **Vær spesielt oppmerksom på sikkerhetsinstruksjonene og advarslene; unnlattelse av å følge disse kan føre til alvorlig skade**

TEKNISKE DATA ①

VERKTØYELEMENTER ②

- A På / av bryter
- B LED lys
- C Bladklemme uten verktøy
- D Orbital kontrollspak
- E Fotplate
- F Hjul for justering av sagehastighet
- G Ventilasjonsåpninger
- H Knapp for batterinivåindikator
- J Støvsugeradapter
- K Sekskantnøkkel

SIKKERHET

GENERELLE SIKKERHETSADVARSLER FOR ELEKTROVERKTØY

⚠ ADVARSEL Les alle sikkerhetsadvarsler, instruksjoner, illustrasjoner og spesifikasjoner som følger med dette elektroverktøyet. Hvis du ikke følger alle instruksjonene nedenfor, kan det føre til elektrisk støt, brann og/eller alvorlig personskade.

Lagre alle advarsler og instruksjoner for fremtidig referanse.

Begrepet "elektroverktøy" i advarslene refererer til det elektriske verktøyet med ledning eller batteridrevet (batteridrevet).

1) SIKKERHET I ARBEIDSRÅDET

- a) **Hold arbeidsområdet rent og godt opplyst.** Rotete eller mørke områder gjør at ulykker lettere oppstår.
- b) **Ikke bruk maskinen i eksplosjonsfarlige omgivelser, for eksempel der det finnes brennbare væsker, gasser eller støv.** Elektroverktøy lager gnister som kan antenne støv eller damp.
- c) **Hold barn og andre personer unna når elektroverktøyet er i bruk.** Distraksjoner kan føre til at du mister kontrollen.

2) ELEKTRISK SIKKERHET

- a) **Støpselet til elektroverktøyet må passe inn i stikkkontakten. Støpselet må ikke modifiseres på noen som helst måte. Ikke bruk adapterstøpsler sammen med jordede elektroverktøy.** Støpsler det ikke er gjort endringer med og riktige stikkontakter reduserer risikoen for elektrisk støt.
- b) **Unngå kroppskontakt med jordete overflater som rør, radiatorer, komfyrer og kjøleskap.** Det er økt risiko for elektrisk støt hvis kroppen din er jordet.
- c) **Ikke utsett elektroverktøy for regn eller våte omgivelser.** Kommer det vann inn i et elektroverktøy, øker risikoen for elektrisk støt.
- d) **Ikke utsett ledningen for feil behandling. Unngå å bære eller dra i verktøyet ved hjelp av ledningen, eller å dra i ledningen når du skal ta verktøyet ut av stikkkontakten. Hold ledningen på avstand fra varme, olje, skarpe kanter og bevegelige deler.** Skadede eller sammenfiltrede ledninger økte risikoen for elektrisk støt.
- e) **Når du bruker et elektroverktøy utendørs må du bruke skjeteledning som er godkjent for dette.** Bruk av ledning som er egnet for utendørs bruk reduserer risikoen for elektrisk støt.

- f) **Hvis du ikke kan unngå å bruke verktøyet i fuktige omgivelser, så benytt en jordfeilbryter.** Bruk av jordfeilbryter reduserer risikoen for elektrisk støt.
- 3) **PERSONLIG SIKKERHET**
 - a) **Vær årvåken, se hva du gjør, og følg sunn fornuft når du bruker et elektroverktøy. Ikke bruk elektroverktøy når du er trøtt eller er påvirket av narkotika, alkohol eller medikamenter.** Et øyeblikks uoppmerksomhet mens du bruker elektroverktøy kan føre til alvorlige personskader.
 - b) **Bruk personlig verneutstyr. Bruk alltid vernebriller.** Verneutstyr som støvmaske, sklisliske sko, hard hatt eller hørselvern som brukes under passende forhold, reduserer personskader.
 - c) **Unngå utilsikket oppstart. Pass på at bryteren er i av-stilling før du kobler til strømkilden og/eller batteripakken, eller når du løfter og bærer verktøyet.** Bærer du elektroverktøy med fingeren på bryteren eller kobler det til strømkilden mens bryteren står i på-posisjon, vil det øke faren for ulykker.
 - d) **Fjern eventuelle justeringsnøkler før du slår på elektroverktøyet.** Et verktøy eller en nøkkel som sitter igjen i en roterende del av elektroverktøyet, kan føre til personskade.
 - e) **Ikke strekk deg for langt. Pass på å ha skikkelig fotfeste og balanse til enhver tid.** Dette muliggjør bedre kontroll over elektroverktøyet i uventede situasjoner.
 - f) **Kle deg riktig. Ikke bruk løstsittende klær eller smykker. Hold hår og klær på avstand fra bevegelige deler.** Løse klær, smykker eller langt hår kan sette seg fast i bevegelige deler.
 - g) **Hvis det følger med utstyr for tilkopling av støvavsug og oppsamlingsutstyr, skal disse kobles til og brukes riktig.** Bruk av støvopsamlingsutstyr kan redusere støvrelaterte farer.
 - h) **Selv om du har opparbeidet deg erfaring gjennom hyppig bruk av verktøyet må du alltid være årvåken og følge sikkerhetsinstruksjonene.** Et ørlite øyeblikks uoppmerksomhet er alt som skal til for at alvorlige personskader kan oppstå.
- 4) **BRUK OG VEDLIKEHOLD AV ELEKTROVERKTØY**
 - a) **Ikke legg press på elektroverktøyet. Bruk et elektroverktøy som er egnet for det du skal gjøre.** Et egnet elektroverktøy vil gjøre jobben på en bedre og tryggere måte, i den hastigheten verktøyet er konstruert for.
 - b) **Ikke bruk elektroverktøyet hvis bryteren ikke slår det på og av.** Elektroverktøy som ikke kan kontrolleres med bryteren er farlig og må repareres.
 - c) **Koble støpselet fra strømkilden og/eller fjern batteripakken, hvis den kan tas av, fra elektroverktøyet før du foretar justeringer, skifter tilbehør eller oppbevarer elektroverktøy.** Slike forebyggende trygge tiltak reduserer risikoen for å starte elektroverktøyet ved et uhell.
 - d) **Oppbevar elektroverktøyet utilgjengelig for barn, og ikke la personer som ikke er kjent med verktøyet eller disse instruksjonene, betjene maskinen.** Elektroverktøy er farlige når de brukes av uerfarne personer.
 - e) **Elektroverktøy og tilbehør må vedlikeholdes. Se etter feil justering eller binding av bevegelige deler,**

brudd på deler og andre forhold som kan påvirke verktøyet. Hvis det er skadet, må elektroverktøyet repareres før bruk. Mange ulykker forårsakes av elektroverktøy som ikke er godt vedlikeholdt.

- f) **Hold skjæreverktøyet skjerpet og rent.** Riktig vedlikehold av skjæreverktøy med skarpe kanter gjør at det er mindre sannsynlighet for oppbinding, og at det er lettere å kontrollere.
- g) **Bruk elektroverktøy, tilbehør, bits, osv. i henhold til disse anvisningene, og ta hensyn til omgivelsene og arbeidet som skal utføres.** Bruk av elektroverktøy til andre formål enn det som er angitt, kan føre til farlige situasjoner.
- h) **Hold håndtakene og gripeflatene tørre, rene og fri for olje og fett.** Glatte håndtak og gripeflater vil gjøre det vanskelig å kontrollere verktøyet og håndtere det på en sikker måte i uventede situasjoner.
- 5) **BRUK OG VEDLIKEHOLD AV BATTERIVERKTØY**
 - a) **Lades bare med ladere som er spesifisert av produsenten.** En lader som passer for én type batteripakke, kan gi brannfare dersom den brukes med andre batteripakker.
 - b) **Elektroverktøyet skal bare brukes med spesifiserte batteripakker.** Bruk av andre batteripakker kan skape risiko for skader og brann.
 - c) **Når batteriet ikke er i bruk skal det holdes unna andre metallgjenstander som binders, mynter, nøkler, spikere, skruer eller andre små metallgjenstander som kan lage forbindelse fra én terminal til en annen.** Kortslutning av batteripolene kan forårsake brannskader eller brann.
 - d) **Under farlige forhold kan væske komme ut av batteriet. Unngå kontakt. Hvis kontakt oppstår ved et uhell, skyl med vann. Får du væske i øynene, skal det i tillegg søkes medisinsk hjelp.** Væske som blir slynget ut av batteriet, kan forårsake iritasjon eller brannår.
 - e) **Ikke bruk en batteripakke eller et verktøy som er skadet eller tilpasset.** Skadde eller modifiserte batterier kan oppføre seg uforutsigbart og medføre brann, eksplosjon eller risiko for personskade.
 - f) **Ikke eksponer batteripakken eller verktøyet for ild eller svært høye temperaturer.** Eksponering for ild eller temperaturer over 130 °C kan forårsake eksplosjon.
 - g) **Følg alle ladeinstruksjonene og ikke lad batteriet eller verktøyet utenfor temperaturområdet som er angitt i instruksjonene.** Hvis batteriet lades på feil måte eller ved temperaturer som er utenfor det angitte området, kan batteriet bli skadet og brannrisikoen øke.
- 6) **SERVICE**
 - a) **Elektroverktøyet må repareres av et kvalifisert serviceverksted som kun bruker identiske reservedeler.** Dette opprettholder sikkerheten til elektroverktøyet.
 - b) **Batteripakker som er skadet, må aldri brukes.** Service på batteripakker må bare utføres av produsenten eller autoriserte tjenesteleverandører.

SIKKERHETSINSTRUKSJONER FOR TRÅDLØS STIKKSAG

- **Hold elektroverktøyet i de isolerte gripeflatene når du utfører en operasjon der festet kan**

komme i kontakt med skjulte ledninger (feste som kommer i kontakt med en "strømførende" ledning kan gjøre eksponerte metalldele på elektroverktøyet "strømførende" og kan gi operatøren et elektrisk støt)

- **Bruk klemmer eller en annen praktisk måte å feste og støtte arbeidsstykket til en stabil plattform** (å holde arbeidsstykket for hånd eller mot kroppen gjør det ustabil og kan føre til tap av kontroll)

GENERELL

- **Ikke bearbeid materialer som inneholder asbest** (asbest anses som kreftfremkallende)
- Dette verktøyet bør ikke brukes av personer under 16 år
- Støynivået under arbeid kan overskride 85 dB(A); bruk hørselvern
- Bruk beskyttelsesbriller ved arbeider med material som lager flis
- Støv fra materialer som maling som inneholder bly, enkelte tresorter, mineraler og metall kan være skadelig (kontakt med eller innånding av støvet kan forårsake allergiske reaksjoner og/eller luftveissykdommer hos operatøren eller tilskuere); **bruk støvmaske og arbeid med en støvavsugingsenhet når den kan kobles til**
- Visse typer støv er klassifisert som kreftfremkallende (som eik og bokstøv), spesielt i forbindelse med tilsetningsstoffer for trebehandling; **bruk støvmaske og arbeid med en støvavsugingsenhet når den kan kobles til**
- Følg de støvrelaterte nasjonale kravene for materialene du ønsker å jobbe med
- Fjern batteriet fra verktøyet før du foretar noen justeringer eller endrer tilbehør

FØR BRUK

- Rydd unna alle hindringer i arbeidsområdet før du begynner å sage
- Unngå skader som kan forårsakes av skruer, spiker og andre elementer i arbeidsstykket ditt; fjern dem før du begynner å jobbe

UNDER BRUK

- Hold hendene unna sagbladet mens motoren er i gang

TILBEHØR

- SKIL kan kun garantere et feilfritt verktøy dersom originaltilbehør brukes
- Bruk aldri skjevent, deformert eller sløvt sagblad

ETTER BRUK

- Når du setter bort verktøyet må bryteren slås av, bevegelige deler må være helt stoppet

BATTERIER

- **Batteriet som følger med er delvis oppladet** (for å sikre full kapasitet på batteriet, lad batteriet helt opp i batteriladeren før du bruker elektroverktøyet for første gang).
- **Bruk kun følgende batterier og ladere med dette verktøyet**
 - SKIL-batteri: BR1*31****
 - SKIL-lader: CR1*31****
- Ikke bruk batteriet når det er skadet; den bør skiftes ut umiddelbart
- Ikke demonter batteriet
- Ikke utsett verktøyet/batteriet for regn
- Tillatt omgivelsestemperatur (verktøy/lader/batteri):
 - ved lading 4...40 °C
 - under drift -20 ...+50 °C
 - ved lagring -20 ...+50 °C

FORKLARING AV SYMBOLER PÅ VERKTØY/BATTERI

- ③ Les bruksanvisningen før bruk

- ④ Batterier kan eksplodere når de kastes i brann, så ikke brenn batteriet av en eller annen grunn
- ⑤ Oppbevar verktøy/lader/batteri på steder der temperaturen ikke overstiger 50 ° C
- ⑥ Ikke kast elektriske verktøy og batterier sammen med husholdningsavfall

BRUK

- Batteriladning
! les sikkerhetsadvarslene og instruksene levert med laderen
- Fjerne/installere batteriet ②
- Batterinivåindikator ⑦
 - trykk på batterinivåindikatorknappen H for å vise gjeldende batterinivå ⑦a
 - ! når det laveste nivået på batteriindikatoren begynner å blinke etter å ha trykket på knappen H⑦b, er batteriet tomt**
 - ! når 2 nivåer av batteriindikatoren begynner å blinke etter å ha trykket på knappen H⑦c, er batteriet ikke innenfor det tillatte driftstemperaturområdet**
- LED-lys ⑬
 - LED-lys B tennes automatisk når av/på-bryteren aktiveres.
 - ! når LED-arbeidslys begynner å blinke, er batteribeskyttelsen aktivert (se nedenfor)**
- Batteribeskyttelse
Verktøyet blir plutselig slått av eller forhindret fra å slå på, når
 - **lasten er for høy** --> fjern lasten og start på nytt
 - **batteritemperaturen er ikke innenfor det tillatte driftstemperaturområdet på -20 til +50°C** --> 2 nivåer av batterinivåindikatoren begynner å blinke når du trykker på knappen H⑦c; vent til batteriet er tilbake innenfor det tillatte driftstemperaturområdet
 - **batteriet er nesten tomt (for å beskytte mot dyp utlading)** --> lavt batterinivå eller blinkende lavt batterinivå ⑦b vises av batterinivåindikatoren når du trykker på knappen H; lade batteriet
 - ! ikke fortsett å trykke på av/på-bryteren etter at verktøyet er slått av automatisk; batteriet kan være skadet**
- Av/på ⑧
 - slå på/av verktøyet ved å trykke bryter A i "I/O"-posisjon
- Hastighetskontroll ⑨
 - med dreiehjul F kan ønsket sagehastighet velges
 - Den optimale arbeidshastigheten avhenger av materialet og kan bestemmes med praktiske forsøk
 - Med skivehjul F satt til "A" reduseres tomgangshastigheten for kontrollert start
 - ved saging vil hastigheten automatisk øke til full hastighet
 - ! verktøyet vil bare gå tilbake til redusert tomgangshastighet etter omstart**
- Bytte sagblad ⑩
 - ! fjern batteriet fra verktøyet før du foretar justeringer eller bytter tilbehør**
 - ! sett inn bladet til full dybde med tennene vendt fremover ⑩**
 - verktøyet aksepterer de vanligste T-skaftbladene ⑩
 - for å løse ut bladet må du bare bruke spaken til blakklemmen C (ingen grunn til å berøre bladet)

- Saging ved 45° ⑫
- Velge sagemodus ⑬
Bruk spak D for å justere banevirkningen fra nøyaktig skjæring (=0) til rask skjæring (=3)
 - 1 stilling ("0") for nøyaktig saging i alle materiale, rette snitt + kurvesnitt
 - 3 stillinger for rask saging i forskjellige materiale, kun rette snitt
 - 1 = aluminium, plast
 - 2 = hard tre
 - 3 = mykt tre
 - ! velg alltid "0" når du sager splintfølsomt materiale**
- Støvsuging ⑬
 - koble støvsugeradapter J til fotplaten
 - koble støvsugerslangen til støvsugeradapteren J
 - ! ikke bruk støvsuger når du skjærer metall**
- Betjening av verktøyet
 - før verktøyet slås på, pass alltid på at forsiden av fotsåle ligger flatt på arbeidsstykket
 - hold verktøyet godt fast slik at du alltid har full kontroll over verktøyet
 - ! mens du arbeider, hold alltid verktøyet ved de gråfargede grepsområdene ⑬**
 - forsikre deg om at fotsålen ligger sikkert på hele flaten
 - ! sørg for at bladet har stoppet helt før du løfter verktøyet fra arbeidsstykket**
 - hold ventilasjonsåpningene G② avdekket

DRIFTSRÅD

- Bruk de riktige sagbladene ⑰
! verktøyet aksepterer de vanligste T-skaftbladene
- Ved boring i metaller, smør sagbladet regelmessig med olje
- Forbør et hull før du foretar utskjæringer ⑱
- Splintfri saging
 - skjerm snittlinjen med flere lager av bred tape før man starter sagingen
 - sag alltid på baksiden av materialet
- Se www.skil.com for mer informasjon

VEDLIKEHOLDSSERVICE

- Dette verktøyet er ikke beregnet for profesjonell bruk
- Hold alltid verktøyet rent (spesielt ventilasjonsåpninger G②)
- ! fjern batteriet fra verktøyet før rengjøring**
- Hvis verktøyet skulle svikte til tross for forsiktighet i produksjons- og testprosedyrene, bør reparasjonen utføres av et ettersalgsservicesenter for SKIL elektroverktøy
 - Send verktøyet **demontert** sammen med kjøpsbevis til din forhandler eller nærmeste SKIL -servicestasjon (adresser samt servicediagram for verktøyet er oppført på www.skil.com)
 - Vær klar over at skade som skyldes overbelastning eller feilbehandling av verktøyet ikke dekkes av garantien (for SKIL garanti betingelser se www.skil.com eller spør din forhandler)

MILJØ

- **Ikke kast elektrisk verktøy, batterier, tilbehør og emballasje sammen med husholdningsavfall** (bare for EU -land)

- i henhold til EU-direktiv 2012/19/EF om kasserte elektriske og elektroniske produkter og direktivets ivksetting i nasjonal rett, må elektroverktøy som ikke lenger skal brukes, samles separat og returneres til et miljøvennlig gjenvinningsanlegg

- symbolet  vil minne deg på dette når behovet for avhending oppstår

! Beskytt batteripolene med kassett for kassering for å unngå kortslutning

STØY / VIBRASJON


- Målt i samsvar med EN62841 er lydtryknivået til dette verktøyet 87 dB(A) og lydeffektnivået 98 dB(A) (usikkerhet K = 3 dB), og vibrasjonen* (triaksvektorsum; usikkerhet K = 1,5 m/s²)
 - * skjærebrett 7,68 m/s²
 - * når du kutter metallplate 6,08 m/s²
 - Vibrasjonsutslippsnivået er målt i henhold til en standardisert test gitt i EN62841; det kan brukes til å sammenligne ett verktøy med et annet og som en foreløpig vurdering av eksponering for vibrasjoner ved bruk av verktøyet til de nevnte bruksområdene
 - bruk av verktøyet til forskjellige bruksområder, eller med annet eller dårlig vedlikeholdt tilbehør, kan **øke** eksponeringsnivået betydelig
 - tidspunktene når verktøyet er slått av eller når det kjøres, men ikke faktisk gjør jobben, kan **redusere** eksponeringsnivået betydelig
- ! Beskytt deg selv mot vibrasjonseffekter ved å vedlikeholde verktøyet og dets tilbehør, holde hendene varme og organisere arbeidsmønstrene dine**

FIN

Harjaton kompakti lehtisaha

3440

ESITTELY

- Tämä työkalu on tarkoitettu katkaisuihin ja aukkosahauksiin puuhun, muoviin, metalliin ja se soveltuu suoriin ja kaareviin sahausiin jopa 45° viistekulmassa
- Tätä työkalua ei ole tarkoitettu ammattikäyttöön
- Jos osia puuttuu tai on vioittunut, ota yhteyttä jälleenmyyjään
- Lue tämä ohjekirja huolella ennen käyttöä ja pidä se tallella tulevia tarpeita varten 
- Kiinnitä erityistä huomiota turvallisuutta koskeviin ohjeisiin ja varoituksiin. Niiden laiminlyönti voi aiheuttaa vakavan loukkaantumisen.

TEKNISET TIEDOT

TYÖKALUN OSAT

- A Virtakytin
- B LED-valo
- C Työkaluton teränpidike
- D Heiluritoiminnon ohjausvipu
- E Pohjalevy

- F Sahausnopeuden säätöpyörä
- G Ilmanvaihto-aukot
- H Akun varaustason ilmaisinpainike
- J Pölynimurin sovitin
- K Kuusiokoloavain

TURVALLISUUS

YLEISET SÄHKÖTYÖKALUJEN TURVALLISUUSVAROITUKSET

VAROITUS Lue kaikki tämän sähkötyökalun mukana tulleet turvallisuusvaroitukset, ohjeet, piirustukset ja tekniset tiedot. Jos kaikkia alla olevia ohjeita ei noudateta, seurauksena saattaa olla sähköisku, tulipalo ja/tai vakava loukkaantuminen.

Säilytä kaikki varoitukset ja ohjeet myöhempää käyttöä varten.

Varoituksissa käytetty termi "sähkötyökalu" tarkoittaa joko verkkovirtakäyttöistä (johdollista) sähkötyökalua tai akkukäyttöistä (johdotonta) sähkötyökalua.

1) TYÖALUEEN TURVALLISUUS

- a) **Pidä työskentelyalue siistinä ja hyvin valaistuna.** Sotkuiset tai hämärat alueet aiheuttavat onnettomuuksia.
- b) **Älä käytä sähkötyökaluja räjähdysriskissä ympäristössä, kuten sytytävien nesteiden, kaasujen tai pölyn läheisyydessä.** Sähkötyökalut saattavat aiheuttaa kipinöitä, jotka voivat sytyttää tomun tai höyryjä.
- c) **Älä päästä lapsia tai sivullisia lähelle, kun käytät sähkötyökaluja.** Häiriötekijät voivat aiheuttaa hallinnan menettämisen.

2) SÄHKÖTURVALLISUUS

- a) **Sähkötyökalun pistotulpan on vastattava pistorasiaa.** Älä ikinä muokkaa pistotulppaa millään tavalla. Älä käytä minkäänlaisia sovittin pistotulppia maadoitettujen sähkötyökalujen kanssa. Muokkaamattomat pistotulpat ja niihin sopivat pistorasiat vähentävät sähköiskun vaaraa.
 - b) **Vältä koskemasta varitalollasi maadoitettuihin pintoihin, kuten putkiin, lämmityspattereihin, liesiin ja jääkaappeihin.** Sähköiskun riski kasvaa, jos kehosi on maadoitettu.
 - c) **Älä altista sähkötyökaluja sateelle tai kosteudelle.** Sähkötyökaluun pääsevä vesi lisää sähköiskun vaaraa.
 - d) **Älä väärinkäytä johtoa.** Älä koskaan kannata tai vedä laitetta johdosta tai irrota pistoketta pistorasiasta johdosta vetämällä. Pidä johto poissa tulen, öljyn, terävien reunojen tai liikkuvien osien läheltä. Vahingoittuneet tai sotkeutuneet johdot lisäävät sähköiskun riskiä.
 - e) **Kun käytät sähkötyökalua ulkona, käytä ulkokäyttöön tarkoitettua jatkojohtoa.** Ulkokäyttöön tarkoitettun jatkojohdon käyttö vähentää sähköiskun riskiä.
 - f) **Jos et voi välttää sähkötyökalun käyttöä kosteissa olosuhteissa, käytä vikavirtasuojakytkimellä (vvsj) suojattua virtalähdettä.** Vikavirtasuojakytkimen käyttö vähentää sähköiskun vaaraa.
- 3) HENKILÖKOHTAINEN TURVALLISUUS**
- a) **Ole valpas, tarkkaavainen ja käytä maalaisjärkeä,**

- kun käytät sähkötyökälyä. Älä käytä sähkötyökälyä, jos olet väsynyt tai huumeiden, alkoholin tai lääkkeiden vaikutuksen alaisena.** Hetkellinenkin huomion herpaantuminen sähkötyökälyä käytettäessä saattaa aiheuttaa vakavan henkilökohtaisen vamman.
- b) Käytä henkilönsuojaimia. Käytä aina silmäsuojaimia.** Tarvittaessa käytettävät suojavarusteet, kuten hengityssuojain, liuquesteelliset turvakengät, suojakypärä tai kuulonsuojaimet, vähentävät henkilövahinkoja.
- c) Estä vahingossa käynnistyminen. Varmista, että kytkin on off-asennossa, ennen kuin liität virtalähteen ja/tai akun, nosta laitteen tai kannat sitä.** Sähkötyökälyjen kantaminen niin, että sormesi on kytkimellä, tai sähkötyökälyihin virran kytkeminen kytkin päällä voi aiheuttaa onnettomuuksia.
- d) Poista kaikki säätöön käytetyt avaimet tai kiintoavaimet ennen kuin käynnistät sähkötyökälyn.** Sähkötyökälyn pyöriivään osaan jätetty avain tai kiintoavain saattaa aiheuttaa henkilövamman.
- e) Älä kurkottele. Säilytä aina tukeva asento ja hyvä tasapaino.** Näin hallitset sähkötyökälyn parhaalla mahdollisella tavalla odottamattomissa tilanteissa.
- f) Pukeudu asianmukaisesti. Älä käytä väljiä vaatteita tai koruja. Pidä hiukset ja vaatteet etäällä liikkuvista osista.** Väljät vaatteet, korut tai pitkät hiukset voivat takertua liikkuviin osiin.
- g) Jos laitteissa on liitännät pölypoistolaitteille ja keräilylaitteille, varmista, että ne on liitetty ja niitä käytetään oikein.** Pölypoistolaitteiden käyttö vähentää pölyyn liittyviä vaaroja.
- h) Älä anna tuotteen tuttuuden toistuvan käytön takia tehdä sinua liian itsevarmaksi, äläkä jätä työkalun turvallisuusohjeita noudattamatta.** Huolimaton toiminta voi aiheuttaa vakavan henkilövahingon sekunnin murto-osassa.
- 4) SÄHKÖTYÖKÄLYJEN KÄYTTÖ JA KUNNOSSAPITO**
- a) Älä pakota sähkötyökälyä. Käytä omaan käyttötarkoitukseesi soveltuva sähkötyökäly.** Oikea sähkötyökäly suoriutuu parhaiten ja turvallisimmin tehtävästä sille tarkoitettulla nopeudella.
- b) Älä käytä sähkötyökälyä, jos sitä ei saa käynnistettyä ja suljettua kytkimellä.** Sähkötyökälyn, jota ei voida hallita kytkimellä, käyttö on vaarallista ja laite on korjattava.
- c) Irrota pistotulppa virtalähteestä ja/tai irrota akku sähkötyökälystä, jos irrottavissa, ennen kuin teet mitään säätöjä, vaihdat apuvälineitä tai laitat sähkötyökälyn varastoon.** Nämä estävät turvallisuusuimpenpiteet vähentävät sähkötyökälyn vahingossa käynnistymisen riskiä.
- d) Säilytä käyttämättömiä sähkötyökälyjä lasten ulottumattomissa, äläkä anna henkilöiden, jotka eivät tunne sähkötyökälyä tai näitä ohjeita, käyttää sähkötyökälyn.** Sähkötyökälyt ovat vaarallisia kokemattomien käyttäjien käsissä.
- e) Huolla sähkötyökälyä ja lisävarusteet. Tarkista, että liikkuvat osat ovat kunnon paikkalaan, että osat ovat ehjiä, ja että sähkötyökälyssä ei ole muita ongelmia, jotka saattaisivat vaikuttaa sen toimintaan. Jos sähkötyökäly on vahingoittunut, korjauta se ennen käyttöä. Monet onnettomuudet johtuvat huonosti ylläpidetyistä sähkötyökälyistä.**
- f) Pidä leikkuutyökälyt terävinä ja puhtaina. Oikein**

- huolletut leikkuutyökälyt, joissa on terävät leikkuureunat, eivät todennäköisesti jumiuudu, ja niitä on helpompi hallita.
- g) Käytä sähkötyökälyä, lisävarusteita ja teriä ym. näiden ohjeiden mukaisesti ja niin, että otat huomioon käyttöolosuhteet ja tehtävän työn.** Sähkötyökälyjen käyttö muihin kuin niille suunniteltuihin tarkoituksiin saattaa aiheuttaa vaaratilanteen.
- h) Pidä kahvat ja tartuntapinnat kuivina, puhtaina, öljyttöminä ja rasvattomina.** Liukkaat kahvat ja tartuntapinnat eivät mahdollista työkalun turvallista käsittelyä ja hallintaa odottamattomissa tilanteissa.
- 5) AKKUTYÖKÄLYJEN KÄYTTÖ JA KUNNOSSAPITO**
- a) Lataa vain valmistajan määrittelemällä laturilla.** Laturi, joka sopii yhdentyypiselle akulle voi aiheuttaa tulipalovaaran, jos sitä käytetään toisenlaisen akun kanssa.
- b) Käytä sähkötyökälyissä vain erityisesti niihin tarkoitettuja akkuja.** Muunlaisten akkujen käyttö saattaa aiheuttaa henkilövahingon tai tulipalon vaaran.
- c) Kun akku ei ole käytössä, pidä se erillään metalliesineistä, kuten paperiliittimet, kolikat, avaimet, naulat, ruuvit ja muut pienet metalliesineet, jotka voivat yhdistää akun navat toisiinsa.** Akun napojen oikosulku voi aiheuttaa palovammoja tai tulipalon.
- d) Akusta voi valua nestettä väärästä käytöstä johtuen. Vältä kosketusta nesteeseen. Jos kosket nesteeseen vahingossa, huuhtelee vedellä. Jos nestettä pääsee silmiin, hakeudu lääkärin hoitoon.** Akusta valuva neste voi aiheuttaa ärsytystä tai palovammoja.
- e) Älä käytä akkua tai työkalua, joka on vaurioitunut tai jota on muutettu.** Vaurioituneet tai muutetut akut voivat käyttäytyä arvaamattomasti ja aiheuttaa tulipalon, räjähdyksen tai henkilövahingon vaaran.
- f) Älä altista akkua tai työkalua tullelle tai äärimmäisille lämpötiloille.** Altistaminen yli 130 °C:n lämpötilalle voi aiheuttaa räjähdyksen.
- g) Noudata kaikkia latausohjeita, äläkä lataa akkua tai työkalua lämpötilassa, joka ei ole ohjeissa ilmoitetun lämpötila-alueen sisällä.** Virheellinen lataaminen tai lataaminen ilmoitetun lämpötila-alueen ulkopuolella olevassa lämpötilassa voi vaurioittaa akkua ja lisätä palovaaraa.
- 6) HUOLTO**
- a) Huollata sähkötyökälysi asiantuntevalla korjaajalla, joka käyttää vain identtisiä varaosia.** Näin taataan sähkötyökälyn turvallisuuden säilyminen.
- b) Älä koskaan huolla vaurioituneita akkuja.** Akkujen huollon saa tehdä vain valmistaja tai sen valtuuttamat huoltoilikeet.

AKKUKÄYTTÖISEN LEHTISAHAN TURVALLISUUSOHJEET

- **Pitele sähkötyökälyä eristetyistä tartuntapinnoista, kun suoritat toimenpiteitä, joissa kiinnitin voi koskettaa piilotettuja johtoja** ("jännitteeseen" johtoon osuva kiinnitin voi saada sähkötyökälyn paljaat metalliosat "jännitteiksi" ja käyttäjä voi saada sähköiskun)
- **Tue työstettävää kappale tukevaan tasoon puristimilla tai muulla käytännöllisellä tavalla** (työkappaleen pitäminen käsin tai kehoa vasten on

epävakaata ja voi aiheuttaa hallinnan menetyksen)

YLEISTÄ

- **Älä koskaan työstä asbestipitoista ainetta** (asbestia pidetään karsinogeenisena)
- Tätä työkalua eivät saa käyttää alle 16-vuotiaat henkilöt
- Työkenneltäessä melutaso saattaa ylittää 85 dB(A); jolloin suositellaan kuulosuojaimien käyttöä
- Käytä suojalaseja työstäessäsi sellaisia materiaaleja, joista irtoaa sirpaleita
- Sellaisista materiaaleista, kuten lyijypitoinen maali, jotkin puulajit, mineraalit ja metalli, tuleva pöly voi olla vahingollista (pölyn kanssa kosketuksiin joutuminen tai sen sisään hengittäminen voi aiheuttaa käyttäjälle tai sivullisille allergiareaktioita ja/tai hengityselinten sairauksia); **käytä hengityssuojainta ja työskentele pölynpoistolaitteen kanssa, kun sellainen on liitettävissä**
- Tietänyttyypiset pölyt on luokiteltu karsinogeenisiksi (kuten tammi- ja pyökkipöly) erityisesti puun käsittelyyn käytettävien lisäaineiden yhteydessä; **käytä hengityssuojainta ja työskentele pölynpoistolaitteen kanssa, kun sellainen on liitettävissä**
- Noudata maakohtaisia pölyyn liittyviä sääntöjä
- Irrota akku työkalusta ennen säätöjen tekemistä tai tarvikkeiden vaihtamista

ENNEN KÄYTTÖÄ

- Poista kaikki esteet sahauslinjan ylä- ja alapuolelta ennen sahausta
- Vältä vaaralliset vahingot, jotka voivat aiheutua nauloista, ruuveista tai muista aineista työstettävässä materiaalissa; poista ne ennen työskentelyn aloittamista

KÄYTÖN AIKANA

- Pidä kädet etäällä pyörivästä sahanterästä

VARUSTEET

- SKIL pystyy takaamaan työkalun moitteettoman toiminnan vain, kun käytetään alkuperäisiä tarvikkeita
- Älä käytä rikkiäistä, tylsää tai vääntynyttä sahanterää

KÄYTÖN JÄLKEEN

- Kun panet koneen pois, sammuta moottori ja varmista, että kaikki liikkuvat osat ovat pysähtyneet

AKUT

- **Akku toimitetaan osittain ladattuna** (varmista akun suoritusteho lataamalla akku aivan täyteen akkulaturilla ennen sähkötyökalun ensimmäistä käyttökertaa).
- **Käytä työkalun kanssa vain seuraavia akkuja ja latureita**
 - SKIL-akku: BR1*31****
 - SKIL-laturi: CR1*31****
- Älä käytä vahingoittunutta akkua, vaan vaihda se välittömästi
- Älä pura akkua
- Suojaa työkalu/akku sateelta
- Sallittu ympäristön lämpötila (työkalu/laturi/akku):
 - ladattaessa 4...40 °C
 - käytön aikana -20...+50 °C
 - varastoinnin aikana -20...+50 °C

TYÖKALUN/AKUN SYMBOLIEN SELITYKSET

- ③ Lue käyttöohjeet ennen käyttöä
- ④ Akut räjähtävät, jos ne hävitetään polttamalla, joten älä missään tapauksessa polta niitä
- ⑤ Säilytä työkalua/laturia/akkua paikoissa, joissa lämpötila ei ole yli 50 °C
- ⑥ Älä hävitä sähkötyökaluja ja akkuja tavallisen kotitalousjätteen mukana

KÄYTTÖ

- Akun lataaminen
 - ! **Lue kaikki laturin mukana tulevat turvallisuusvaroitukset ja -ohjeet**
- Akun irrottaminen/asentaminen ②
- Akun lataustilan ilmaisin ⑦
 - näet akun nykyisen varaustason painamalla akun lataustilan ilmaispainiketta ⑦a
 - ! **kun akun ilmaisimen alin taso alkaa vilkkua painikkeen H ⑦b painamisen jälkeen, akku on tyhjä**
 - ! **kun akun ilmaisimen 2 tasoa alkaa vilkkua painikkeen H ⑦c painamisen jälkeen, akku ei ole sallitulla käyttölämpötila-alueella**
- LED-valo ⑭
 - LED-valo B syttyy automaattisesti, kun virtakytkin aktivoidaan.
 - ! **kun LED-työvalo alkaa vilkkua, akun suojaus on aktivoitunut (katso alta)**
- Akun suojaus
 - Työkalu sammuu automaattisesti tai sitä ei voi kytkeä päälle, jos
 - **kuormitus on liian suuri** -> vähennä kuormitusta ja käynnistä uudelleen
 - **akun lämpötila ei ole sallitulla käyttölämpötila-alueella -20...+50 °C** -> 2 akun varaustason valoa alkaa vilkkua, kun painat painiketta H ⑦c; odota, kunnes akku on sallitulla käyttölämpötila-alueella uudelleen
 - **akku on lähes tyhjä (suojaus syväpurkautumista vastaan)** -> alhainen akun varaustaso tai vilkkuva akun alhainen taso ⑦b näkyy akun lataustason ilmaisimessa, kun painat painiketta H; lataa akku
 - ! **älä jatka virtakytkimen painamista sen jälkeen, kun kone on kytkettynt pois päältä automaattisesti; akku voi vaurioitua**
- Käynnistys/psäytys ⑧
 - käynnistä tai sammuta kone painamalla kytkin A "I/O"-asentoon
- Nopeuden säätö ⑨
 - valintapyörällä F voidaan valita haluttu sahausnopeus
 - Optimaalinen työskentelynopeus riippuu materiaalista ja se voidaan määrittää käytännön kokeilla
 - Kun valintapyörä F on asetettu "A"-asentoon, tyhjäkäyntinopeus pienenee hallittua käynnistystä varten
 - sahausken aikana nopeus nousee automaattisesti täyteen nopeuteen
 - ! **työkalu palaa alennettuun tyhjäkäyntinopeuteen vasta uudelleenkäynnistyksen jälkeen**
- Sahanterän vaihto ⑩
 - ! **irrota akku työkalusta ennen säätöjen tekemistä tai tarvikkeiden vaihtamista**
 - ! **työnnä terä aivan pohjaan, hampaiden on osoitettava eteenpäin ⑪**
 - työkalu hyväksyy useimmat yleisesti tarjolla olevat T-vartiset terät ⑩
 - poistat terän käyttämällä pelkästään teränpidikkeen C vipua (ei tarvitse koskettaa terää)
- Sahaus 45° kulmassa ⑫
- Sahaustilan valinta ⑬
 - Käytä vipua D heiluritoiminnon säätämiseksi tarkkaa sahausta varten (=0), nopeaan sahaukseen (=3)
 - 1 asetus ("0") tarkkaan sahaukseen kiinni

- materiaaleihin, suoraan + kaarevaan
- 3 asetusta nopeaan sahaukseen eri materiaaleihin, vain suoraan sahaukseen
- 1 = alumiini, muovi
- 2 = kova puu
- 3 = pehmeä puu
- ! **valitse aina "0" helposti sirpaloituvia materiaaleja sahattaessa**

- Pölynimu ¹⁵
 - liitä pölynimurin sovitin J pohjalevyyn
 - liitä pölynimurin letku pölynimurin sovittimeen J
 - ! **älä käytä pölynimuria, kun sahaat metalleja**
- Työkalun käyttö
 - varmista aina ennen koneen käynnistystä, että jalkalaatan etuosa lepää tasaisesti työkappaleen päällä
 - pidä koneesta kiinni tukevalla otteella kahdella kädellä, jolloin hallitset koneen täydellisesti koko ajan
 - ! **pidä aina työskentelyn aikana kiinni työkalun harmaista tartunta-alueista** ¹⁶
 - varmista, että jalkalaatta lepää koko pinnaltaan työkappaleella
 - ! **varmista, että terä on täysin pysähtynyt, ennen kuin irrotat sen työkappaleesta**
 - pidä tuuletusaukot G ² vapaina

VINKKEJÄ

- Käytä oikeita sahanteriä ¹⁷
- ! **työkalu hyväksyy useimmat yleisesti tarjolla olevat T-vartiset terät**
- Metallia sahattaessa voitele sahanteri öljyllä säännöllisin väliajoin
- Poraak alkuurikkeitä ennen aukkojen sahaamista ¹⁸
- Repeämätön katkaisusahaus
 - peitä sahauslinja useilla kerroksilla teippiä ennen sahausken suorittamista
 - aseta työstettävänä olevan kappaleen hyvä puoli aina alaspäin
- Lisätietoja on osoitteessa www.skil.com

HOITO/HUOLTO

- Tätä työkalua ei ole tarkoitettu ammattikäyttöön
- Pidä työkalu aina puhtaana (erityisesti tuuletusaukot G ²)
- ! **irrota akku työkalusta ennen puhdistamista**
- Jos työkalu ei huolellisesta valmistuksesta ja koestusmenettelystä huolimatta toimi asianmukaisella tavalla, tulee laitteen korjaus antaa SKIL-huoltokeskuksen tehtäväksi
 - toimita työkalu ostotositteen kanssa ja **osiin purkamatta** jälleenmyyjälle tai lähimpään SKIL-huoltokeskukseen (osoitteet ja työkalun huoltokaavio löytyvät web-sivustolta www.skil.com)
 - Ota huomioon, että takuu ei kata työkalun ylikuormituksesta tai väärästä käsittelystä johtuvia vahinkoja (katso SKIL-takuuehdot osoitteesta www.skil.com tai kysy jälleenmyyjältä)

YMPÄRISTÖNSUOJELU

- **Älä hävitä sähkötyökalua, akkuja, paristoja, tarvikkeita tai pakkausta tavallisen kotitalousjätteen mukana** (koskee vain EU-maita)
 - vanhoja sähkö- ja elektroniikkalaitteita koskevan

- EU-direktiivin 2012/19/EY ja sen maakohtaisten sovellusten mukaisesti käytetyt sähkötyökalut on toimitettava ongelmajätteen keräyspisteeseen ja ohjattava ympäristöstävälliseen kierrätykseen
- symboli [ⓔ] muistuttaa tästä, kun käytöstä poisto tulee ajankohtaiseksi

! **poistaessasi akun käytöstä peitä plus- ja miinusnapa sähköteipillä oikosulun estämiseksi**

MELU/TÄRINÄ

- Mitattuna standardin EN62841 mukaan tämän työkalun äänenpainetaso on 87 dB dB (A) ja äänitehotaso 98 dB (A) (epävarmuus K = 3 dB) ja värinä* (kolmeakselisen vektorin summa; epävarmuus K = 1.5 m/s²)
 - * laudan sahaaminen 7.68 m/s²
 - * pellin sahaus 6.08 m/s²
- Tärinästäilytaso on mitattu standardin EN 62841 mukaisen standarditestin mukaisesti; sitä voidaan käyttää verrattaessa yhtä laitetta toiseen sekä alustavana tärinälle altistumisen arviona käytettäessä laitetta manituissa käyttötarkoituksissa
 - työkalun käyttö eri käyttötarkoituksiin tai erilaisten tai huonosti huollettujen lisävarusteiden kanssa voi **nostaa** merkittävästi altistumistasoa
 - työkalun ollessa sammuksissa tai kun se on käynnissä, mutta sillä ei tehdä työtä, altistumistaso voi **alentua** merkittävästi
- ! **suojaudu tärinän vaikutuksilta huoltamalla työkalu ja sen lisävarusteet, pitämällä kädet lämpiminä ja organisoimalla työmenetelmät**

E

Sierra de calar compacta sin escobillas

3440

INTRODUCCIÓN

- Esta herramienta está diseñada para hacer cortes y recortes en madera, plástico y metal, y es adecuada para cortes rectos y curvos con ángulos de inglete de 45°.
- Esta herramienta no está concebida para uso profesional
- Si falta alguna pieza o está dañada, póngase en contacto con su distribuidor.
- **Lea este manual de instrucciones cuidadosamente antes de utilizarlo y guárdelo para consultas futuras** ³
- **Preste mucha atención a las instrucciones y advertencias de seguridad; en caso contrario pueden producirse lesiones graves**

DATOS TÉCNICOS ¹

ELEMENTOS DE LA HERRAMIENTA ²

- A Interruptor de encendido/apagado
- B Luz LED
- C Abrazadera de hoja sin herramientas
- D Palanca de control orbital
- E Base
- F Rueda para ajustar la velocidad de aserrado
- G Ranuras de ventilación

- H Botón del indicador del nivel de batería
- J Adaptador para aspirador
- K Llave hexagonal

SEGURIDAD

MEDIDAS DE SEGURIDAD GENERALES PARA HERRAMIENTAS ELÉCTRICAS

⚠️ ADVERTENCIA Lea todas las advertencias de seguridad, instrucciones, ilustraciones y especificaciones incluidas con esta herramienta eléctrica. Si no se cumplen todas las instrucciones que se enumeran a continuación, pueden producirse descargas eléctricas, incendios o lesiones graves.

Conserve todas las instrucciones y advertencias para poder consultarlas en el futuro.

El término «herramientas eléctricas» que aparece en las advertencias se refiere tanto a las herramientas que funcionan conectadas a la red eléctrica (con cable) como a las que funcionan con batería (inalámbricas).

1) SEGURIDAD EN LA ZONA DE TRABAJO

- a) **Mantenga la zona de trabajo limpia y bien iluminada.** Las áreas de trabajo desordenadas y oscuras favorecen los accidentes.
- b) **No ponga en funcionamiento las herramientas eléctricas en entornos explosivos como, por ejemplo, donde haya líquidos inflamables, gases o polvo.** Las herramientas eléctricas generan chispas que podrían actuar como detonante de vapores y partículas de polvo inflamables.
- c) **Mantenga a los niños y las demás personas alejados cuando esté utilizando una herramienta eléctrica.** Las distracciones podrían hacerle perder el control de la herramienta.

2) SEGURIDAD ELÉCTRICA

- a) **El enchufe de la herramienta eléctrica debe corresponder con la toma de corriente. No modifique nunca el enchufe de ningún modo. Nunca utilice enchufes adaptadores o ladrones de corriente con herramientas eléctricas equipadas con conexión a tierra.** Si no se modifican los enchufes y estos corresponden con las tomas de corriente, se reducirán enormemente los riesgos de electrocución.
- b) **Evite cualquier contacto corporal con superficies conectadas a tierra, como tuberías, radiadores, hornillos eléctricos y frigoríficos.** Existe un mayor riesgo de descarga eléctrica si su cuerpo tiene conexión a tierra.
- c) **No exponga las herramientas eléctricas a la lluvia o a la humedad.** Si penetra agua en una herramienta eléctrica, aumentará el riesgo de descarga eléctrica.
- d) **No maltrate el cable. Nunca utilice el cable para transportar, arrastrar o desenchufar la herramienta eléctrica.** Mantenga el cable alejado del calor, el aceite, los bordes afilados o las piezas móviles. Los cables dañados o enredados aumentan el riesgo de descarga eléctrica.
- e) **Cuando use una herramienta eléctrica al aire libre, utilice un cable alargador adecuado para uso en**

exteriores. Si se usa un cable adecuado para exteriores, se reducirá el riesgo de descarga eléctrica.

- f) **Utilice un interruptor diferencial (RCD) si debe utilizar la herramienta eléctrica en un lugar húmedo.** La utilización de un interruptor de protección diferencial reducirá el riesgo de electrocución.

3) SEGURIDAD PERSONAL

- a) **Manténgase alerta, preste atención a lo que está haciendo y aplique el sentido común durante el uso de una herramienta eléctrica. No use una herramienta eléctrica cuando esté cansado o bajo la influencia de drogas, alcohol o medicación.** Cuando se están usando herramientas eléctricas, cualquier falta de atención, aunque sea por un instante, puede provocar lesiones graves.
 - b) **Utilice equipo de protección personal. Utilice siempre protección ocular.** El equipo de protección, como máscaras antipolvo, calzado de seguridad antideslizante, casco protector o protección auditiva, cuando se utiliza adecuadamente, reduce las lesiones personales.
 - c) **Evite la puesta en marcha accidental de la herramienta. Asegúrese de que el interruptor de encendido se encuentra en la posición de apagado antes de enchufar la herramienta a la red eléctrica y/o de acoplar la batería, así como al agarrar o transportar la herramienta.** Si lleva una herramienta eléctrica con el dedo puesto sobre el interruptor, o si enchufa una herramienta eléctrica con el interruptor encendido, pueden producirse accidentes.
 - d) **Retire cualquier llave de ajuste o llave inglesa de la herramienta antes de encenderla.** Una llave inglesa o una llave de ajuste enganchada a una parte giratoria de la herramienta puede producir lesiones.
 - e) **No se estire demasiado para alcanzar lugares de difícil acceso. Mantenga una posición firme y equilibrada en todo momento.** De este modo podrá controlar mejor la herramienta eléctrica en situaciones inesperadas.
 - f) **Utilice ropa adecuada. No lleve puesta ropa holgada ni joyas. Mantenga el pelo, la ropa y los guantes alejados de las piezas móviles.** La ropa holgada, así como las joyas o el pelo, largo podrían engancharse en las partes móviles de la herramienta.
 - g) **Si se incluyen dispositivos de conexión a extractores y colectores de polvo, asegúrese de conectarlos y utilizarlos adecuadamente.** El uso de un colector de polvo puede reducir los riesgos asociados con el polvo.
 - h) **El hecho de haberse familiarizado con la herramienta por el uso frecuente no debe hacer que se descuide e ignore los principios de seguridad.** Una distracción puede provocar lesiones graves en una fracción de segundo.
- #### 4) UTILIZACIÓN Y CUIDADO DE LAS HERRAMIENTAS ELÉCTRICAS
- a) **No fuerce la herramienta eléctrica. Utilice la herramienta eléctrica adecuada para la tarea que vaya a realizar.** La herramienta correcta funcionará mejor y con más seguridad a la velocidad para la que ha sido diseñada.
 - b) **No use la herramienta si el interruptor no funciona para encenderla y apagarla.** Toda herramienta que no

se puede controlar con el interruptor es peligrosa y debe repararse.

- c) **Desconecte el enchufe de la toma de corriente o retire la batería de la herramienta antes de realizar algún ajuste, cambiar de accesorios o guardarla.** Estas medidas de seguridad reducen el riesgo de que la herramienta se ponga en marcha por accidente.
 - d) **Guarde las herramientas eléctricas apagadas fuera del alcance de niños y no deje que las usen personas que no estén familiarizadas con estas instrucciones o con las herramientas.** Las herramientas eléctricas son peligrosas si las usan personas sin experiencia.
 - e) **Cuide las herramientas eléctricas y sus accesorios. Compruebe si hay elementos móviles desalineados o trabados, piezas rotas u otra circunstancia que pueda afectar al funcionamiento de la herramienta. Si la herramienta eléctrica está dañada, llévela a reparar antes de usarla.** Muchos accidentes se deben a un mantenimiento deficiente de las herramientas eléctricas.
 - f) **Mantenga las herramientas de corte afiladas y limpias.** Las herramientas de corte bien afiladas tienen menos probabilidades de atascarse y son más fáciles de controlar.
 - g) **Use la herramienta eléctrica, los accesorios, las brocas, etc., siguiendo las instrucciones y teniendo en cuenta las condiciones de trabajo y la tarea a realizar.** El uso de las herramientas eléctricas para fines diferentes a los previstos podría provocar situaciones de peligro.
 - h) **Mantenga las asas y las superficies de agarre secas, limpias y libres de aceite y grasa.** Si las asas y las superficies de agarre están resbaladizas no se puede manejar la herramienta de forma segura ni mantener el control en las situaciones inesperadas.
- 5) UTILIZACIÓN Y MANTENIMIENTO DE HERRAMIENTAS A BATERÍA**
- a) **Recargue únicamente con el cargador especificado por el fabricante.** Un cargador que es adecuado para un tipo de batería podría ocasionar un incendio si se utiliza con una batería distinta.
 - b) **Utilice herramientas eléctricas solamente con las baterías diseñadas específicamente para ellas.** El uso de cualquier otro tipo de batería puede provocar riesgo de lesiones e incendio.
 - c) **Cuando no se esté utilizando la batería, manténgala apartada de objetos metálicos como clips para papeles, monedas, llaves, clavos, tornillos, o cualquier otro objeto metálico pequeño que pudiera provocar un cortocircuito en sus terminales de corriente.** Si se provoca el cortocircuito en los terminales de la batería, podrían producirse quemaduras o incendios.
 - d) **En condiciones de uso intensivo, es posible que se produzca una fuga de ácido de la batería. Evite el contacto con el ácido. Enjuague con agua si se produce un contacto accidental. Si el líquido entra en contacto con los ojos, solicite también atención médica.** El líquido que emana de la batería puede provocar irritaciones o quemaduras.
 - e) **No utilice una batería o una herramienta que haya sido modificada o que esté dañada.** Las baterías

dañadas o modificadas pueden tener un comportamiento impredecible y provocar un incendio, explosión o riesgo de lesiones.

- f) **No exponga la batería ni la herramienta al fuego ni a una temperatura excesiva.** La exposición al fuego o a una temperatura superior a 130°C podría provocar una explosión.
 - g) **Siga todas las instrucciones de carga y no cargue la batería ni la herramienta fuera del rango de temperatura especificado en las instrucciones.** Una carga incorrecta o a temperaturas fuera del rango especificado puede dañar la batería y aumentar el riesgo de incendio.
- 6) SERVICIO TÉCNICO**
- a) **Las reparaciones de las herramientas eléctricas debe realizarlas un técnico cualificado, utilizando solo piezas de recambio idénticas.** De este modo, podrá garantizarse la seguridad de uso de la herramienta eléctrica.
 - b) **No repare nunca baterías que estén dañadas.** Las baterías solo debe repararlas el fabricante o un centro de servicio técnico autorizado.

INSTRUCCIONES DE SEGURIDAD PARA LA SIERRA DE CALAR INALÁMBRICA

- **Sujete la herramienta eléctrica por las superficies de agarre aisladas al realizar trabajos en los que la fijación pueda tocar conductores eléctricos ocultos** (el contacto de las fijaciones con conductores bajo tensión puede hacer que las partes metálicas de la herramienta eléctrica pasen a estar en tensión y provoquen una descarga eléctrica)
- **Utilice abrazaderas u otro sistema práctico para asegurar y apoyar la pieza de trabajo en una plataforma estable** (si la sujeta con la mano o contra el cuerpo, queda inestable y puede perder el control sobre ella)

GENERAL

- **No trabaje materiales que contengan amianto** (el amianto se considera cancerígeno)
- Esta herramienta no deben utilizarla personas menores de 16 años
- El nivel de ruido, con la herramienta trabajando, podrá sobrepasar 85 dB(A); usar protectores auditivos
- Al procesar materiales que producen viruta, usar anteojos de protección
- El polvo de materiales como pintura que contenga plomo, algunas especies de madera, minerales y metal podrían ser dañinos (el contacto o inhalación del polvo podría producir reacciones alérgicas y trastornos respiratorios al usuario o a otras personas que se encontrasen en la zona); **utilice una máscara contra el polvo y trabaje con un dispositivo de extracción de polvo cuando se pueda conectar**
- Ciertos tipos de polvo están catalogados como cancerígenos (por ejemplo, el polvo de roble y de haya) especialmente junto con aditivos para el acondicionamiento de la madera; **utilice una máscara contra el polvo y trabaje con un dispositivo de extracción de polvo cuando se pueda conectar**
- Siga la normativa nacional en cuanto a extracción de polvo, en función de los materiales que vayan a ser utilizados

- Extraiga la batería de la herramienta antes de realizar cualquier ajuste o cambiar los accesorios

ANTES DEL USO

- Antes de empezar a cortar, aparte todos los obstáculos que haya encima y debajo de la línea de corte
- Evite los daños que puedan causar los tornillos, clavos y otros objetos sobre la pieza de trabajo; retírelos antes de empezar a trabajar

DURANTE EL USO

- Aparte las manos de la hoja de sierra durante la siega

ACCESORIOS

- SKIL únicamente puede garantizar un funcionamiento correcto de la herramienta al emplear accesorios originales
- No utilice nunca hojas rotas, desformadas o desgastadas

DESPUÉS DEL USO

- Ponga atención al guardar su herramienta de que el motor esté apagado y las partes móviles se hayan detenido por completo

PILAS

- **La batería se entrega parcialmente cargada** (para poder aprovechar toda la capacidad de la batería, cárguela por completo en el cargador antes de utilizar la herramienta eléctrica por primera vez).
- **Utilice únicamente los siguientes cargadores y baterías con esta herramienta**
 - Batería SKIL: BR1*31****
 - Cargador SKIL: CR1*31****
- Nunca utilice la batería si está deteriorada; debe sustituirse inmediatamente
- No desarme la batería
- No exponga la herramienta/batería a la lluvia
- Temperatura ambiente permitida (herramienta/cargador/batería):
 - durante la carga 4...40 °C
 - durante el funcionamiento -20...+50 °C
 - durante el almacenamiento -20...+50 °C

EXPLICACIÓN DE SÍMBOLOS DE HERRAMIENTA/BATERÍA

- ③ Lea el manual de instrucciones antes de utilizarla
- ④ Las baterías estallarán si se tiran al fuego, por ningún motivo caliente las baterías.
- ⑤ Guarde la herramienta/cargador/batería en un lugar donde la temperatura no exceda los 50 °C
- ⑥ No deseche las herramientas eléctricas y las pilas junto con los residuos domésticos

USO

- Recarga de la batería
 - ! **Lea las instrucciones y la advertencias de seguridad incluidas con el cargador.**
- Desmontaje/instalación de la batería ②
- Indicador del nivel de carga de la batería ⑦
 - Pulse el botón indicador del nivel de carga de la batería H para ver el nivel actual de carga ⑦a
 - ! **Cuando empiece a parpadear el nivel inferior del indicador de la batería después de pulsar el botón H ⑦b, significa que la batería está descargada.**
 - ! **Cuando empiecen a parpadear 2 niveles del indicador de la batería después de pulsar el botón H ⑦c, significa que la batería no está dentro del rango de temperatura de funcionamiento permitido.**
- Luz LED ⑭

- El indicador LED B se enciende automáticamente cuando se activa el interruptor de encendido y apagado

! **Cuando la luz de trabajo LED empieza a parpadear, se activa la protección de la batería (véase a continuación)**

- Protección de la batería
 - La herramienta se apaga inmediatamente, o se impide su encendido, cuando
 - **la carga es demasiado alta** -> retire la carga y vuelva a ponerla en marcha
 - **la temperatura de la batería no se encuentra dentro del rango admisible de temperaturas de funcionamiento entre -20 °C y +50 °C** --> los 2 niveles del indicador de la batería empiezan a parpadear cuando se pulsa el botón H ⑦c; espere hasta que la batería vuelva a estar dentro del rango admisible de temperaturas de funcionamiento
 - **la batería está casi descargada (como protección contra una descarga intensa)** --> el indicador del nivel de la batería señala un nivel bajo de carga o un nivel bajo de carga intermitente ⑦b cuando se pulsa el botón H; cargue la batería
 - ! **No siga pulsando el interruptor de encendido/apagado después de que se apague automáticamente la herramienta; se puede dañar la batería.**
- Encendido/apagado ⑧
 - Encienda/apague la herramienta empujando el interruptor A a la posición «I/O»
- Control de velocidad ⑨
 - Con el selector giratorio F se puede seleccionar la velocidad de corte deseada
 - La velocidad óptima de trabajo depende del material y puede determinarse con la práctica
 - Con el selector giratorio F en la posición «A» se reduce la velocidad sin carga para un arranque controlado
 - Al serrar, la velocidad aumentará automáticamente a la máxima velocidad
 - ! **La herramienta solo volverá a la velocidad reducida sin carga después de reiniciar**
- Cambio de la hoja de sierra ⑩
 - ! **Quite la batería de la herramienta antes de realizar cualquier ajuste o cambiar los accesorios**
 - ! **inserte la hoja hasta el fondo con los dientes mirando hacia delante ⑩**
 - ! La herramienta es compatible con la mayoría de hojas con inserción T ⑩
 - Para sacar la hoja solo hay que accionar la palanca de la pinza de la hoja C (no es necesario tocar la hoja)
- Corte a 45° ⑫
- Selección del modo de aserrado ⑬
 - Utilice la palanca D para ajustar la acción orbital desde corte preciso (= 0) hasta corte rápido (= 3)
 - 1 posición ("0") para el corte preciso en todos los materiales, recto + en curva
 - 3 posiciones para corte rápido en diferentes materiales, solamente recto
 - 1 = aluminio, plástico
 - 2 = madera dura
 - 3 = madera blanda
 - ! **Seleccione siempre la posición «0» para cortar materiales que producen astillas**
- Aspiración de polvo ⑮

- Conecte el adaptador de aspiradora J a la base
- Conecte la manguera de la aspiradora al adaptador de aspiradora J

! no use un aspirador cuando corte metal

- Utilización de la herramienta
 - antes de poner en marcha la herramienta, asegúrese de que la parte delantera de la pata esté tendida sobre la pieza de trabajo
 - sujete la herramienta firmemente con ambas manos, de modo que tenga pleno control sobre ella todo el tiempo

! Durante el trabajo, sujete siempre la herramienta por la(s) zona(s) de agarre de color gris 16

- asegúrese de que la pata esté apoyada de manera que asiente firmemente en toda su superficie

! asegúrese de que la hoja esté completamente parada antes de levantar la herramienta de la pieza de trabajo

- Mantenga las ranuras de ventilación G2 descubiertas

CONSEJOS DE APLICACIÓN

- Utilice las hojas de sierra adecuadas 17
- ! La herramienta es compatible con la mayoría de hojas con inserción T**
- Al cortar metales, engrase la hoja de sierra regularmente con aceite
- Pretaladre un agujero antes de efectuar recortes 18
- Corte sin astillas
 - tape la línea de corte con varias capas de cinta de papel engomado ancho antes de cortar
 - ponga siempre el lado bueno de la pieza de trabajo hacia abajo
- Si desea más información, visite www.skil.com

MANTENIMIENTO/SERVICIO TÉCNICO

- Esta herramienta no está concebida para uso profesional
- Mantenga siempre limpia la herramienta (sobre todo las ranuras de ventilación G2)

! Quite la batería de la herramienta antes de la limpieza.

- Si a pesar de los esmerados procesos de fabricación y control, la herramienta llegase a averiarse, la reparación deberá encargarse a un servicio técnico autorizado para herramientas eléctricas SKIL
 - Envíe la herramienta **sin desmontar** junto con una prueba de su compra a su distribuidor o al centro de servicio técnico más cercano de SKIL (las direcciones y el diagrama de despiece de la herramienta están en www.skil.com).
 - Tenga en cuenta que los daños debido a sobrecarga o a un manejo inadecuado del producto estarán excluidos de la garantía (consulte las condiciones de garantía de SKIL en www.skil.com o consulte a su distribuidor).

MEDIO AMBIENTE

- **No deseche las herramientas eléctricas, las baterías, los accesorios y los embalajes junto con los residuos domésticos** (solo para países de la Unión Europea).
 - de conformidad con la Directiva Europea 2012/19/CE sobre residuos de aparatos eléctricos y electrónicos y

su aplicación de acuerdo con la legislación nacional, las herramientas eléctricas cuya vida útil haya llegado a su fin se deberán recoger por separado y trasladar a una planta de reciclaje que cumpla con las exigencias ecológicas

- El símbolo 6 llamará su atención cuando sea necesaria la eliminación.

! Antes de eliminarla, proteja los terminales de la batería con cinta aislante para evitar un cortocircuito.

RUIDOS / VIBRACIONES

- Realizando mediciones según EN62841, el nivel de presión acústica de esta herramienta es 87 dB(A) y el nivel de potencia acústica es de 98 dB(A) (incertidumbre K = 3 dB), y la vibración es* (suma vectorial triaxial; incertidumbre K = 1,5 m/s²)

* al cortar una tabla 7,68 m/s²

* cortando chapas de metal 6,08 m/s²

- El nivel de emisión de vibraciones ha sido medido según una prueba estándar proporcionada en la norma EN62841; puede utilizarse para comparar una herramienta con otra y como valoración preliminar de la exposición a las vibraciones al utilizar la herramienta con las aplicaciones mencionadas
 - al utilizarla para distintas aplicaciones o con accesorios diferentes o con un mantenimiento deficiente, podría **aumentar** de forma considerable el nivel de exposición.
 - en las ocasiones en que se apaga la herramienta o cuando está funcionando pero no está realizando ningún trabajo, se podría **reducir** considerablemente el nivel de exposición.

! Protéjase contra los efectos de la vibración realizando el mantenimiento de la herramienta y sus accesorios, manteniendo sus manos calientes y organizando sus patrones de trabajo.

P

Serra tico-tico compacta sem escovas

3440

INTRODUÇÃO

- Esta ferramenta foi criada para fazer cortes retos e recortes em madeira, plástico, metal, e é adequada para cortes retos e curvos com ângulos de esquadria até 45°.
- Esta ferramenta não foi criada para utilização profissional.
- Se houver peças em falta ou danificadas, contacte o seu revendedor.
- **Leia este manual de instruções com atenção antes da utilização, e guarde-o para futuras referências.** 3
- **Preste especial atenção às instruções de segurança e avisos. Se não os seguir, pode sofrer ferimentos sérios.**

CARACTERÍSTICAS TÉCNICAS 1

ELEMENTOS DA FERRAMENTA 2

- A Interruptor de ligar/desligar
- B Luz LED
- C Braçadeira manual da lâmina
- D Alavanca de controlo orbital
- E Placa do pé
- F Roda de ajuste da velocidade de serrar
- G Ranhuras de ventilação
- H Botão do indicador do nível da bateria
- J Adaptador do aspirador
- K Chave sextavada

SEGURANÇA

AVISOS DE SEGURANÇA GERAIS DA FERRAMENTA ELÉTRICA

AVISO Leia todos os avisos de segurança, instruções, ilustrações e especificações fornecidas com esta ferramenta elétrica. Não seguir todas as instruções apresentadas abaixo pode resultar em choque elétrico, incêndio e/ou ferimentos graves.

Guarde todos os avisos e instruções para futuras referências.

O termo “ferramenta elétrica” nos avisos diz respeito à sua ferramenta alimentada pela rede (com fio) ou com bateria (sem fio).

1) SEGURANÇA NA ÁREA DE TRABALHO

- a) **Mantenha a área de trabalho limpa e bem iluminada.** Áreas desarrumadas ou escuras são propícias a acidentes.
- b) **Não ligue ferramentas elétricas em atmosferas explosivas, tal como na presença de líquidos inflamáveis, gases ou pó.** As ferramentas elétricas geram faíscas que podem provocar a ignição dos fumos ou pó.
- c) **Mantenha as crianças e pessoas que passem afastadas enquanto trabalhar com uma ferramenta elétrica.** As distrações podem fazer com que perca o controlo.

2) SEGURANÇA ELÉTRICA

- a) **As fichas da ferramenta elétrica têm de corresponder à tomada. Nunca modifique uma ficha de forma alguma. Não utilize qualquer adaptador com ferramentas elétricas com ligação à terra.** Fichas não modificadas e tomadas correspondentes reduzirão o risco de choque elétrico.
- b) **Evite o contacto corporal com superfícies com ligação à terra, tais como tubos, radiadores, faixas e frigoríficos.** Existe um risco acrescido de choque elétrico se o seu corpo estiver ligado à terra.
- c) **Não exponha as ferramentas elétricas à chuva ou a condições húmidas.** A entrada da água na ferramenta elétrica aumentará o risco de choque elétrico.
- d) **Não force o fio da alimentação. Nunca utilize o fio para transportar, puxar ou desligar a ferramenta elétrica. Mantenha o fio afastado do calor, óleo, arestas afiadas ou peças móveis.** Fios danificados ou presos aumentam o risco de choque elétrico.
- e) **Quando estiver a trabalhar com uma ferramenta elétrica ao ar livre, utilize uma extensão adequada**

para a utilização no exterior. A utilização de um fio adequado ao exterior reduz o risco de choque elétrico.

- f) **Se for inevitável trabalhar com uma ferramenta elétrica num local húmido, use uma alimentação protegida por um dispositivo de corrente residual (DCR).** A utilização de um DCR reduz o risco de choque elétrico.
- #### 3) SEGURANÇA PESSOAL
- a) **Mantenha-se alerta, observe o que está a fazer e use senso comum quando estiver a trabalhar com uma ferramenta elétrica. Não use uma ferramenta elétrica enquanto estiver cansado ou sob o efeito de drogas, álcool ou medicação.** Um momento de falta de atenção enquanto trabalha com ferramentas elétricas pode resultar em ferimentos graves.
 - b) **Use equipamento pessoal de proteção. Use sempre proteção ocular.** O equipamento de segurança, tal como máscara respiratória, calçado de segurança antiderrapante, capacete de segurança, ou proteção auditiva, utilizado nas condições adequadas reduzirá a hipótese de ferimentos.
 - c) **Evite ligações sem intenção. Certifique-se de que o interruptor se encontra na posição de desligado antes de ligar a fonte de energia e/ou à bateria ao agarrar ou transportar a ferramenta.** Transportar ferramentas elétricas com o seu dedo no interruptor ou fornecer energia a ferramentas elétricas que tenham o interruptor na posição de ligado convida a acidentes.
 - d) **Retire qualquer chave de ajuste ou chave de fendas antes de ligar a ferramenta elétrica.** Uma chave de porcas ou uma chave deixada ligada a uma peça rotativa da ferramenta elétrica pode provocar ferimentos.
 - e) **Não se estique. Mantenha sempre a base e o equilíbrio adequados.** Isso proporciona um melhor controlo da ferramenta elétrica em situações inesperadas.
 - f) **Vista-se adequadamente. Não use roupa larga nem joalheria. Mantenha o seu cabelo e roupa afastados das peças móveis.** Roupa larga, jóias ou cabelo comprido podem ser apanhados pelas peças em movimento.
 - g) **Se forem fornecidos dispositivos para a ligação de extração de pó e facilidades de recolha, certifique-se de que estes estão ligados e de que são devidamente utilizados.** A utilização de dispositivos de extração do pó pode reduzir os perigos relacionados com o pó.
 - h) **Não permita que a familiarização ganhe com a utilização de ferramentas o torne mais complacente e ignore os princípios de segurança da ferramenta.** Uma ação descuidada pode causar graves ferimentos numa fração de segundo.
- #### 4) UTILIZAÇÃO E CUIDADOS DA FERRAMENTA ELÉTRICA
- a) **Não force a ferramenta elétrica. Utilize a ferramenta elétrica correta para a sua aplicação.** A ferramenta elétrica correta fará o trabalho melhor e de forma mais segura ao ritmo para o qual foi concebida.
 - b) **Não utilize a ferramenta elétrica se o interruptor não a ligar ou desligar.** Qualquer ferramenta que não possa ser controlada com o interruptor é perigosa e deve ser reparada.
 - c) **Desligue a ficha da alimentação e/ou retire a bateria**

da ferramenta elétrica, se amovível, antes de fazer quaisquer ajustes, mudar de acessórios ou armazenar a ferramenta elétrica. Estas medidas de segurança preventiva ajudam a reduzir os riscos de ligar inadvertidamente a ferramenta elétrica.

- d) **Guarde as ferramentas elétricas não utilizadas fora do alcance das crianças e não permita que pessoas não familiarizadas com a ferramenta elétrica ou com estas instruções utilizem a ferramenta elétrica.** As ferramentas elétricas são perigosas nas mãos de utilizadores sem formação.
- e) **Proceda à manutenção das ferramentas elétricas e acessórios. Verifique desalinhamentos ou bloqueios das peças móveis, peças partidas e quaisquer outras condições que possam afetar o funcionamento da ferramenta elétrica. Se estiver danificada, leve a ferramenta elétrica para ser reparada antes da utilização.** Muitos acidentes são provocados pela fraca manutenção das ferramentas elétricas.
- f) **Mantenha as ferramentas de corte afiadas e limpas.** Ferramentas de corte devidamente mantidas e com arestas de corte afiadas têm uma menor probabilidade de prender e são mais fáceis de controlar.
- g) **Use a ferramenta elétrica, acessórios e brocas, etc., de acordo com estas instruções, tendo em conta as condições de trabalho e o trabalho a ser efetuado.** A utilização da ferramenta elétrica para operações diferentes daquelas para que foi criada pode dar origem a uma situação perigosa.
- h) **Mantenha as pegas e superfícies de segurar secas, limpas e sem óleo ou gordura.** Pegas e superfícies de segurar escorregadias não permitem o manuseamento seguro nem o controlo da ferramenta em situações inesperadas.
- 5) UTILIZAÇÃO E CUIDADOS DA FERRAMENTA COM A BATERIA**
- a) **Recarregue apenas com o carregador especificado pelo fabricante.** Um carregador que seja adequado a um tipo de bateria pode criar um risco de incêndio quando usado com outra bateria.
- b) **Use ferramentas elétricas apenas com as baterias especificamente designadas.** A utilização de outras baterias pode criar um risco de ferimentos e incêndio.
- c) **Quando não usar a bateria, mantenha-a afastada de outros objetos de metal, como cliques de papel, moedas, chaves, pregos, parafusos ou outros pequenos objetos de metal que possam fazer a ligação entre os dois terminais.** Colocar os terminais da bateria em curto-circuito pode dar origem a queimaduras ou fogo.
- d) **Sob condições abusivas, pode ser ejetado líquido da bateria; evite o contacto. Se ocorrer um contacto accidental, lave com água abundante. Se o líquido entrar em contacto com os olhos, procure ajuda médica.** O líquido ejetado da bateria pode provocar irritação ou queimaduras.
- e) **Não use a bateria nem a ferramenta se estiverem danificadas ou modificadas.** Baterias danificadas ou modificadas podem apresentar comportamentos imprevisíveis, dando origem a fogo, explosão ou risco de lesões.
- f) **Não exponha a bateria ou a ferramenta ao fogo**

ou temperatura excessiva. A exposição ao fogo ou a temperaturas acima dos 130 °C pode causar uma explosão.

- g) **Siga todas as instruções de carregamento e não carregue a bateria nem a ferramenta a uma temperatura fora dos parâmetros especificados nas instruções.** Carregar incorretamente ou a temperaturas fora dos parâmetros especificados pode danificar a bateria e aumentar o risco de fogo.

6) REPARAÇÃO

- a) **A reparação da sua ferramenta elétrica deverá ser sempre efetuada por pessoas qualificadas, utilizando apenas peças sobresselentes idênticas.** Isso garante que a segurança da ferramenta elétrica é mantida.
- b) **Nunca tente reparar uma bateria danificada.** A reparação das baterias só deverá ser efetuada pelo fabricante ou por um reparador autorizado.

INSTRUÇÕES DE SEGURANÇA PARA A SERRA TICO-TICO SEM FIOS

- **Segure a ferramenta elétrica pelas superfícies isoladas quando efetuar qualquer operação em que o fixador possa entrar em contacto com cablagem oculta ou com o seu próprio fio.** Se a ferramenta entrar em contacto com um fio ligado à alimentação, as peças de metal expostas à eletricidade podem dar origem a um choque elétrico.
- **Utilize grampos ou outra forma prática de segurar e apoiar a peça de trabalho numa plataforma estável.** Segurar a peça à mão ou contra o corpo deixa-a instável e pode dar origem à perda de controlo.

GERAL

- **Não trabalhe em materiais que contenham amianto** (o amianto é considerado cancerígeno).
- Esta ferramenta não deverá ser utilizada por pessoas com menos de 16 anos.
- O nível de ruído durante o trabalho pode exceder 85 dB(A). Use proteção auditiva.
- Use óculos de proteção ao trabalhar com materiais que produzam lascas.
- As poeiras de materiais como tintas com chumbo, determinadas espécies de madeiras, minerais e metais podem ser prejudiciais (o contacto ou a inalação dessa poeira pode causar reações alérgicas e/ou doenças respiratórias no operador ou assistentes); **utilize uma máscara antipoeira e trabalhe com um dispositivo de extração de poeiras quando for possível ligar.**
- Determinados tipos de poeiras estão classificados como cancerígenos (como poeira de faia e carvalho) especialmente junto com aditivos para tratamento de madeiras. **Utilize uma máscara antipoeira e trabalhe com um dispositivo de extração de poeiras quando for possível ligar.**
- Siga as normas nacionais referentes a poeiras para os materiais com que pretende trabalhar.
- Retire sempre a bateria da ferramenta antes de efetuar quaisquer ajustes ou mudar de acessórios.

ANTES DA UTILIZAÇÃO

- Retire os obstáculos por cima e por baixo do caminho de corte antes de começar a cortar.
- Evite danos que possam ser causados por parafusos, pregos e outros elementos na sua peça a ser trabalhada. Retire-os antes de começar o trabalho.

DURANTE A UTILIZAÇÃO

- Mantenha as mãos afastadas da lâmina da serra enquanto a ferramenta estiver a ser usada.

ACESSÓRIOS

- A SKIL apenas pode assegurar um funcionamento sem defeitos da ferramenta quando utilizados acessórios originais.
- Não use lâminas de serra danificadas, deformadas ou rombas.

DEPOIS DE UTILIZAR

- Quando pousar a ferramenta, desligue o motor e certifique-se de que todas as peças móveis estão completamente paradas

BATERIAS

- **A bateria fornecida vem parcialmente carregada.**
Para garantir a capacidade completa da bateria, carregue por completo a bateria no carregador antes de usar a sua ferramenta elétrica pela primeira vez.
- **Use apenas as seguintes baterias e carregadores com esta ferramenta**
 - Bateria SKIL: BR1*31****
 - Carregador SKIL: CR1*31****
- Não use a bateria danificada. Esta deverá ser substituída imediatamente.
- Não desmonte a bateria.
- Não exponha a ferramenta/bateria à chuva.
- Temperatura ambiente permitida (ferramenta/carregador/bateria):
 - A carregar: 4 - 40 °C
 - Durante o funcionamento: -20 - 50 °C
 - Durante o armazenamento: -20 - 50 °C

EXPLICAÇÃO DOS SÍMBOLOS NA FERRAMENTA/ BATERIA

- ③ Leia o manual de instruções antes da utilização.
- ④ As baterias podem explodir quando atiradas para o fogo, por isso, nunca queime uma bateria.
- ⑤ Guarde a ferramenta/carregador/bateria num local onde a temperatura não exceda os 50 °C.
- ⑥ Não elimine ferramentas elétricas juntamente com o lixo doméstico comum.

UTILIZAÇÃO

- Carregar a bateria
! Leia os avisos de segurança e as instruções fornecidas com o carregador.
- Remover/Instalar a bateria ②
- Indicador do nível da bateria ⑦
 - Prima o botão do indicador do nível da bateria H para ver o atual nível da bateria ⑦a.
 - ! Quando o nível mais baixo do indicador da bateria começar a piscar após premir o botão H ⑦b, a bateria está descarregada.**
 - ! Quando 2 níveis do indicador da bateria começarem a piscar após premir o botão H ⑦c, a bateria não se encontra dentro da temperatura de funcionamento permitida.**
- Luz LED ⑭
 - A luz LED B liga-se automaticamente quando ativar o interruptor de ligar/desligar.
 - ! Quando a luz de trabalho LED começar a piscar, a proteção da bateria é ativada (consulte abaixo).**
- Proteção da bateria
A ferramenta desliga-se de repente ou é impossível ligá-la quando

- **a carga é muito grande** -> retire a carga e reinicie
- **A temperatura da bateria não se encontra dentro do raio da temperatura de funcionamento permitida de -20 a +50 °C** -> 2 níveis do indicador do nível da bateria começam a piscar quando prime o botão H ⑦c; espere que a bateria volte ao raio da temperatura de funcionamento permitida.
- **a bateria está quase gasta (para proteger contra grandes descargas)** -> é apresentado um baixo nível da bateria ou a piscar ⑦b no indicador do nível da bateria quando prime o botão H; carregue a bateria.
! Não continue a premir o interruptor de ligar/desligar após a ferramenta se desligar automaticamente. A bateria pode ficar danificada.

- Ligar/desligar ⑧
 - Ligue/desligue a ferramenta premindo o interruptor A para a posição "I/O".
- Controlo da velocidade ⑨
 - Com o disco F, pode selecionar a velocidade de serrar desejada.
 - A velocidade de funcionamento ótima depende do material, e pode ser determinada com testes práticos. Com o disco F em "A", a velocidade sem carga é reduzida para um arranque controlado.
 - Quando serrar, a velocidade aumenta automaticamente para a velocidade máxima.
 - ! A ferramenta volta à velocidade sem carga reduzida apenas após reiniciar.**

- Substituir a lâmina da serra ⑩
! Retire sempre a bateria da ferramenta antes de efetuar quaisquer ajustes ou mudar de acessórios.
! Insira a lâmina por completo com os dentes virados para a frente! ⑪

- A ferramenta aceita grande parte das lâminas em T disponíveis comercialmente ⑩.
- Para ejetar a lâmina, utilize a alavanca da braçadeira da lâmina C (não precisa de tocar na lâmina).
- Serrar a 45° ⑫
- Selecionar o modo de serrar ⑬
Use a alavanca D para ajustar a ação orbital de um corte preciso (=0) para um corte rápido (=3).
 - A definição 1 ("0") para um corte preciso em todos os materiais, reto + curvo.
 - 3 definições para um corte rápido em diferentes materiais, apenas cortes retos.
 - 1 = alumínio, plástico
 - 2 = madeira dura
 - 3 = madeira suave**! Selecione sempre "0" quando serrar material sensível a lascas.**
- Aspiração do pó ⑮
 - Ligue o adaptador do aspirador J à placa do pé.
 - Ligue a mangueira do aspirador ao adaptador do aspirador J.
 - ! Não use o aspirador quando cortar metal!**

- Utilizar a ferramenta
 - Antes de ligar a ferramenta, certifique-se de que a extremidade dianteira da placa do pé assenta plana na peça a ser trabalhada.
 - Segure firmemente a ferramenta com ambas as mãos, para que tenha sempre o controlo completo.
 - ! Durante o trabalho, segure sempre a ferramenta pelas áreas de prensão cinzentas. ⑯**

- Certifique-se de que toda a superfície da placa do pé assenta firmemente na peça a ser trabalhada.

! Certifique-se de que a lâmina parou por completo antes de levantar a ferramenta da peça a ser trabalhada.

- Mantenha as ranhuras de ventilação G(2) desobstruídas.

CONSELHOS DE APLICAÇÃO

- Use as lâminas de serra adequadas 17
- **! A ferramenta aceita grande parte das lâminas em T disponíveis comercialmente.**
- Ao cortar metais, lubrifique a lâmina da serra regularmente com óleo.
- Faça um pré-orifício antes de fazer cortes 18.
- Corte sem farpas
- Cubra a linha de corte com várias camadas de fita larga antes de cortar.
- Olhe sempre para baixo no lado bom da peça a ser trabalhada.
- Para mais informações, consulte www.skil.com.

MANUTENÇÃO / REPARAÇÃO

- Esta ferramenta não foi criada para utilização profissional.
- Mantenha sempre a ferramenta limpa (especialmente as ranhuras de ventilação G(2))
- **! Retire a bateria da ferramenta antes de proceder à limpeza.**
- Se a ferramenta falhar apesar dos cuidados de fabrico e procedimentos de teste, a reparação deverá ser efetuada por um centro de reparação pós-venda autorizado para ferramentas elétricas SKIL.
- Envie a ferramenta **desmontada**, juntamente com a prova de compra, para o seu representante ou ponto de reparação SKIL mais próximo (os endereços e também os esquemas de reparação estão listados em www.skil.com).
- Tenha em conta que danos devido a sobrecarga ou manuseamento inadequado da ferramenta não são abrangidos pela garantia (para saber as condições da garantia SKIL, consulte www.skil.com ou informe-se com o seu revendedor).

AMBIENTE

- **Não elimine ferramentas elétricas, baterias, acessórios e embalagens juntamente com o lixo doméstico comum** (apenas para países da UE).
- Em conformidade com a Diretiva Europeia 2012/19/CE relativa aos resíduos de equipamento elétrico e eletrónico e respetiva implementação em conformidade com as leis nacionais, ferramentas elétricas que tenham atingido o final do seu ciclo de vida devem ser recolhidas separadamente e entregues em instalações de reciclagem ambientalmente compatíveis.
- O símbolo 6 serve para lembrar isto quando for necessária a eliminação.
- **! Antes da eliminação, proteja os terminais da bateria com fita resistente, para evitar um curto-circuito.**

RUÍDO/VIBRAÇÃO

- Medido de acordo com a EN62841. O nível de pressão do som desta ferramenta é de 87 dB(A), e o nível de potência do som é de 98 dB(A) (incerteza K = 3 dB), e a vibração* (soma vetorial das 3 direções; incerteza K = 1,5 m/s²)
 - * Cortar placas de madeira 7,68 m/s²
 - * Serrar chapa metálica 6,08 m/s²
- O nível de emissão da vibração foi medido de acordo com um teste padronizado da norma EN 62841. Pode ser usado para comparar duas ferramentas e como avaliação preliminar da exposição à vibração quando usar a ferramenta para as aplicações mencionadas.
 - Usar a ferramenta para diferentes aplicações, ou com acessórios diferentes ou mal mantidos, pode **umentar** significativamente o nível de exposição.
 - As vezes que a ferramenta é desligada ou quando estiver a funcionar, mas sem estar a efetuar o trabalho, pode **reduzir** significativamente o nível de exposição.
- **! Proteja-se dos efeitos das vibrações realizando a manutenção da ferramenta e dos seus acessórios, mantendo as mãos quentes e organizando os seus padrões de trabalho.**

I

Seghetto alternativo compatto brushless

3440

INTRODUZIONE

- Questo utensile è progettato per eseguire tagli e intagli in legno, plastica e metallo, e può effettuare tagli dritti e curvi ad angoli fino a 45°.
- Questo utensile non è destinato all'uso professionale.
- In caso di parti mancanti o danneggiate, contattare il rivenditore.
- **Leggere attentamente il manuale di istruzioni prima dell'uso e conservarlo per riferimento futuro.** 3
- **Prestare particolare attenzione alle avvertenze e istruzioni di sicurezza. Il mancato rispetto comporta il rischio di lesioni gravi.**

SPECIFICHE TECNICHE 1

COMPONENTI DELL'UTENSILE 2

- A Interruttore di avvio/arresto
- B Luce LED
- C Morsetto della lama senza utensile
- D Selettore del movimento orbitale
- E Piastra base
- F Rotella di regolazione della velocità
- G Aperture di ventilazione
- H Pulsante dell'indicatore del livello della batteria
- J Adattatore per aspirapolvere
- K Chiave esagonale

SICUREZZA

AVVERTENZE DI SICUREZZA COMUNI A TUTTI GLI UTENSILI ELETTRICI

AVVERTENZA! Consultare tutte le avvertenze di sicurezza, le istruzioni, le illustrazioni e le specifiche fornite insieme a questo utensile elettrico. Il mancato rispetto delle istruzioni sotto riportate comporta il rischio di scossa elettrica, incendio e/o gravi infortuni.

Conservare tutte le avvertenze e le istruzioni per futuro riferimento.

Il termine "utensile elettrico" utilizzato nelle avvertenze indica un utensile elettrico alimentato tramite rete elettrica (con cavo) o batterie (senza cavo).

1) SICUREZZA DELL'AREA DI LAVORO

- a) **Mantenere l'area di lavoro pulita e ben illuminata.** Il disordine e la scarsa illuminazione favoriscono gli incidenti.
 - b) **Non usare gli utensili elettrici in atmosfere esplosive, ad esempio in presenza di liquidi, gas o polveri infiammabili.** Gli utensili elettrici creano scintille che possono incendiare polveri o fumi.
 - c) **Durante l'uso dell'utensile elettrico, tenere a distanza i bambini e le persone presenti.** Le distrazioni possono far perdere il controllo.
- #### 2) SICUREZZA ELETTRICA
- a) **Le spine degli utensili elettrici devono essere adatte al tipo di presa. Non modificare la spina in alcun modo. Non usare adattatori con gli utensili elettrici dotati di messa a terra (collegati a massa).** L'uso di spine originali corrispondenti al tipo di presa riduce il rischio di scossa elettrica.
 - b) **Evitare il contatto del corpo con superfici collegate a terra come tubi, radiatori, fornelli elettrici e frigoriferi.** Il rischio di scossa elettrica aumenta se il proprio corpo è collegato a terra.
 - c) **Non esporre gli utensili elettrici a pioggia o umidità.** L'infiltrazione di acqua all'interno di un utensile elettrico aumenta il rischio di scossa elettrica.
 - d) **Non utilizzare il cavo in modo improprio. Non usare il cavo per trasportare, tirare o scollegare l'utensile elettrico dalla presa di corrente. Tenere il cavo al riparo da calore, olio, bordi taglienti o parti in movimento.** La presenza di cavi danneggiati o aggrovigliati aumenta il rischio di scossa elettrica.
 - e) **Durante l'uso di un utensile elettrico all'aperto, utilizzare una prolunga idonea per ambienti esterni.** L'uso di un cavo idoneo riduce il rischio di scossa elettrica.
 - f) **Se è necessario lavorare in un luogo umido, utilizzare un circuito elettrico dotato di interruttore differenziale (RCD).** L'uso di un interruttore differenziale riduce il rischio di scossa elettrica.

3) SICUREZZA PERSONALE

- a) **Durante l'uso di un utensile elettrico, prestare sempre la massima attenzione e utilizzare il buon senso. Non usare un utensile elettrico se si è stanchi o sotto l'effetto di droghe, alcol o farmaci.** Anche un solo momento di disattenzione durante l'uso dell'utensile elettrico può provocare gravi infortuni.
- b) **Indossare dispositivi di protezione individuale. Indossare dispositivi di protezione per gli occhi.** I dispositivi di protezione individuale come maschere antipolvere, calzature antiscivolo, caschi e cuffie per le

orecchie, se utilizzati quando le circostanze lo richiedono, riducono il rischio di infortuni.

- c) **Prevenire l'avvio accidentale. Assicurarsi che l'interruttore sia in posizione di arresto prima di sollevare, trasportare o collegare l'utensile elettrico alla presa di corrente e/o alla batteria.** Per ridurre il rischio di incidenti, non trasportare gli utensili elettrici tenendo le dita sull'interruttore e non collegarli alla fonte di alimentazione se l'interruttore è in posizione di avvio.
- d) **Rimuovere eventuali chiavi di regolazione o avvitaemento prima di avviare l'utensile elettrico.** Una chiave di serraggio rimasta inserita in un elemento mobile dell'utensile elettrico può provocare infortuni.
- e) **Non allungarsi eccessivamente. Mantenere sempre un buon equilibrio evitando posizioni instabili.** Ciò assicura un miglior controllo dell'utensile elettrico in situazioni impreviste.
- f) **Vestirsi in modo adeguato. Non indossare indumenti ampi o gioielli. Tenere capelli e indumenti lontani dalle parti in movimento.** Indumenti ampi, gioielli o capelli lunghi possono rimanere impigliati nelle parti in movimento.
- g) **Se sono disponibili dei dispositivi per l'estrazione e la raccolta della polvere, assicurarsi che siano collegati e utilizzati correttamente.** L'uso di tali dispositivi può ridurre i rischi derivanti dalla polvere.
- h) **Non lasciare che la familiarità con l'utensile (derivata da un uso frequente) abbassi il livello di attenzione.** Anche una minima distrazione può causare gravi infortuni.

4) USO E MANUTENZIONE DELL'UTENSILE ELETTRICO

- a) **Non forzare l'utensile elettrico. Utilizzare l'utensile più adatto al lavoro da svolgere.** Un utensile elettrico corretto è più sicuro ed efficace al regime per cui è stato progettato.
- b) **Non usare l'utensile elettrico se l'interruttore non funziona correttamente.** Un utensile elettrico che non può essere controllato dall'interruttore è pericoloso e deve essere riparato.
- c) **Rimuovere il gruppo batteria, se removibile, e/o scollegare l'utensile elettrico dalla rete elettrica prima di regolarlo, riporlo o sostituire gli accessori.** Tali misure preventive riducono il rischio di avvio accidentale dell'utensile elettrico.
- d) **Riporre gli utensili elettrici fuori dalla portata dei bambini e non permetterne l'uso a persone che non hanno familiarità con l'utensile o con queste istruzioni.** Gli utensili elettrici sono pericolosi se utilizzati da persone non competenti.
- e) **Mantenere gli utensili elettrici e gli accessori in buono stato. Verificare che le parti mobili non siano disallineate o inceppate, che i componenti non siano danneggiati e che non siano presenti altri problemi che potrebbero pregiudicare il corretto funzionamento dell'utensile elettrico.** Se l'utensile elettrico è danneggiato, farlo riparare prima di utilizzarlo nuovamente. Molti incidenti sono provocati da utensili elettrici in cattive condizioni.
- f) **Mantenere gli accessori di taglio puliti e affilati.** Un'adeguata manutenzione e affilatura degli accessori da taglio riduce il rischio di inceppamento e facilita il controllo dell'utensile elettrico.

- g) **Usare l'utensile elettrico, gli accessori, le punte ecc. conformemente a queste istruzioni, tenendo conto delle condizioni dell'area di lavoro e del tipo di lavoro da svolgere.** L'uso dell'utensile elettrico per operazioni diverse da quelle per cui è progettato può comportare situazioni di pericolo.
- h) **Mantenere le impugnature e le superfici di presa asciutte, pulite e prive di olio o grasso.** Impugnature e superfici di presa scivolose non garantiscono l'uso sicuro e il controllo dell'utensile in situazioni impreviste.
- 5) **USO E MANUTENZIONE DEGLI UTENSILI A BATTERIA**
- a) **Ricaricare la batteria esclusivamente con il caricabatteria specificato dal costruttore.** Un caricabatteria adatto a un certo tipo di gruppo batteria comporta il rischio di incendio se utilizzato con gruppi batteria di tipo diverso.
- b) **Usare gli utensili esclusivamente con i gruppi batteria specificamente progettati.** L'uso di altri gruppi batteria comporta il rischio di incendio e infortunio.
- c) **Quando il gruppo batteria non è in uso, tenerlo lontano da piccoli oggetti metallici, ad esempio graffette, monete, chiavi, chiodi, viti ecc. poiché potrebbero creare un collegamento tra i due terminali.** Il cortocircuito dei terminali della batteria comporta il rischio di incendio o ustioni.
- d) **L'utilizzo improprio può causare fuoriuscite di liquido dalla batteria: evitare il contatto con tale liquido. In caso di contatto accidentale, lavare con acqua. Se il liquido entra a contatto con gli occhi, consultare un medico.** Il liquido fuoriuscito dalla batteria può causare irritazioni o ustioni.
- e) **Non usare gruppi batteria o utensili danneggiati o modificati.** Le batterie danneggiate o modificate possono manifestare comportamenti imprevisti, con il rischio di incendio, esplosione o infortunio.
- f) **Non esporre il gruppo batteria o l'utensile a fiamme o temperature eccessive.** L'esposizione a fiamme o temperature superiori a 130°C comporta il rischio di esplosione.
- g) **Rispettare tutte le istruzioni relative alla ricarica e non ricaricare il gruppo batteria o l'utensile a temperature diverse da quelle specificate nelle istruzioni.** Una ricarica eseguita in modo improprio o a temperature diverse da quelle specificate può danneggiare la batteria e aumentare il rischio di incendio.
- 6) **RIPARAZIONI**
- a) **Affidare la riparazione dell'utensile a personale qualificato e utilizzare esclusivamente parti di ricambio identiche.** Ciò garantisce la sicurezza dell'utensile elettrico.
- b) **Non riparare gruppi batteria danneggiati.** La riparazione dei gruppi batteria deve essere effettuata esclusivamente dal costruttore o da un centro di assistenza autorizzato.

AVVERTENZE DI SICUREZZA SPECIFICHE PER SEGHETTI ALTERNATIVI CORDLESS

- **Tenere l'utensile elettrico esclusivamente tramite le impugnature isolanti durante le operazioni in cui l'accessorio di taglio può entrare a contatto con cavi elettrici nascosti.** Se l'accessorio di taglio tocca

un cavo elettrificato può trasmettere la corrente alle parti metalliche dell'utensile, esponendo l'operatore al rischio di scossa elettrica.

- **Usare morse o altri dispositivi adatti per supportare il materiale e fissarlo a una piattaforma stabile.** Non tenere mai il materiale con le mani o contro il proprio corpo perché lo rende instabile e comporta il rischio di perdita di controllo.

AVVERTENZE GENERALI

- **Non lavorare materiali contenenti amianto.** L'amianto è considerato una sostanza cancerogena.
- Questo utensile non deve essere usato da persone di età inferiore a 16 anni.
- Il livello di rumorosità durante l'uso può superare gli 85 dB(A); indossare dispositivi di protezione per le orecchie.
- Indossare occhiali di protezione durante la lavorazione di materiali che producono trucioli.
- Polveri derivanti da materiali come rivestimenti a base di piombo, alcuni tipi di legno, metallo e minerali possono essere tossiche. Toccare o respirare tali polveri può causare, all'utente o alle persone presenti, reazioni allergiche e/o infiammazioni alle vie respiratorie.
- **Indossare una maschera antipolvere e usare sistemi di estrazione della polvere, se disponibili.**
- Alcuni tipi di polveri, ad esempio quelle di quercia e faggio, sono considerate cancerogene, in particolare se il legno è stato trattato (con cromo o preservanti per legno).
- **Indossare una maschera antipolvere e usare sistemi di estrazione della polvere, se disponibili.**
- Rispettare le normative nazionali rilevanti in merito ai materiali con cui si desidera lavorare.
- Rimuovere la batteria prima di regolare l'utensile o sostituire gli accessori.

PRIMA DELL'USO

- Rimuovere qualsiasi ostacolo sopra e sotto il percorso del taglio prima di iniziare il taglio.
- Rimuovere eventuali viti, chiodi e altri elementi presenti nel pezzo in lavorazione per evitare che causino danni.

DURANTE L'USO

- Tenere le mani lontane dalla lama quando l'utensile è in funzione.

ACCESSORI

- SKIL assicura il corretto funzionamento dell'utensile se sono utilizzati accessori originali.
- Non usare lame danneggiate, deformate o smussate.

DOPO L'USO

- Prima di appoggiare l'utensile, arrestarlo e assicurarsi che tutte le parti mobili siano completamente ferme.

BATTERIE

- **La batteria inclusa è parzialmente carica.** Per garantire la piena capacità della batteria, ricaricarla completamente con il caricabatteria prima di usare l'utensile per la prima volta.
- **Utilizzare esclusivamente le batterie e i caricabatteria elencati di seguito con questo utensile.**
 - Batteria SKIL: BR1*31****
 - Caricabatteria SKIL: CR1*31****
- Non utilizzare la batteria se è danneggiata. Sostituirla immediatamente.
- Non disassemblare la batteria.
- Non esporre l'utensile o la batteria alla pioggia.
- Temperature ambientali (utensile/caricabatteria/batteria):
 - Durante la ricarica: da 4°C a 40°C
 - Durante l'uso: da -20°C a +50°C

- Durante la conservazione: da -20°C a +50°C

SIGNIFICATO DEI SIMBOLI SULL'UTENSILE E SULLA BATTERIA

- ③ Leggere il manuale di istruzioni prima dell'uso.
- ④ Le batterie possono esplodere se gettate nel fuoco. Pertanto, non bruciarle per alcun motivo.
- ⑤ Riporre l'utensile, il caricabatteria e la batteria in ambienti la cui temperatura non supera i 50°C.
- ⑥ Non smaltire l'utensile e le batterie insieme ai rifiuti domestici.

UTILIZZO

- Ricarica della batteria
 - ! **Leggere le istruzioni e le avvertenze di sicurezza fornite insieme al caricabatteria.**
- Rimozione/inserimento della batteria ②
- Indicatore del livello della batteria ⑦
 - Premere il pulsante dell'indicatore del livello della batteria H per visualizzare il livello di carica corrente della batteria ⑦a
 - ! **Quando l'ultima barra dell'indicatore del livello della batteria inizia a lampeggiare dopo aver premuto il pulsante H ⑦b, la batteria è scarica.**
 - ! **Quando 2 barre dell'indicatore del livello della batteria iniziano a lampeggiare dopo aver premuto il pulsante H ⑦c, la temperatura della batteria è fuori dai valori che ne consentono il funzionamento.**
- Luce LED ⑭
 - La luce LED B si accende automaticamente all'avvio dell'utensile.
 - ! **Quando la luce LED inizia a lampeggiare, la funzione di protezione della batteria si è attivata (come descritto di seguito).**
- Protezione della batteria
 - L'utensile si arresta automaticamente, o non si avvia, nei seguenti casi:
 - **Il carico è eccessivo.** --> Rimuovere il carico e riavviare l'utensile.
 - **La temperatura della batteria è inferiore a -20°C o superiore a +50°C.** --> 2 barre dell'indicatore del livello della batteria iniziano a lampeggiare dopo aver premuto il pulsante H ⑦c. Attendere che la batteria raggiunga la temperatura di funzionamento corretta.
 - **La batteria è quasi scarica (protezione contro lo scaricamento profondo).** --> Il livello di carica della batteria è indicato da una barra lampeggiante ⑦b dopo aver premuto il pulsante H. Ricaricare la batteria.
 - ! **Non premere l'interruttore di avvio/arresto dopo l'arresto automatico dell'utensile per evitare di danneggiare la batteria.**
- Avvio/arresto ⑧
 - Per avviare l'utensile, portare l'interruttore A in corrispondenza della posizione "I".
- Regolazione della velocità ⑨
 - Per regolare la velocità, usare l'apposita rotella F. La velocità ideale dipende dal materiale e deve essere determinata effettuando un test pratico. Impostando la rotella F in posizione "A", la velocità a vuoto è ridotta per consentire un avvio controllato.
 - Durante il taglio, la velocità aumenterà gradualmente fino al livello massimo.
 - ! **L'utensile ritornerà alla velocità a vuoto ridotta**

esclusivamente dopo il riavvio.

- Sostituzione della lama ⑩
 - ! **Rimuovere la batteria prima di regolare l'utensile o sostituire gli accessori.**
 - ! **Inserire la lama fino in fondo con i denti rivolti in avanti.** ⑪
 - L'utensile è compatibile con la maggior parte delle lame con codolo a T. ⑩
 - Per espellere la lama, usare esclusivamente la leva del morsetto della lama C (non è necessario toccare la lama).
- Taglio a 45° ⑫
- Selezione del movimento orbitale ⑬
 - Usare il selettore D per regolare il movimento orbitale da accurato (0) a rapido (3).
 - 1 posizione ("0") per il taglio accurato (dritto e curvo) in tutti i materiali.
 - 3 posizioni per il taglio rapido (solo dritto) in diversi materiali:
 - 1 = alluminio, plastica
 - 2 = legno duro
 - 3 = legno morbido
 - ! **Selezionare sempre la posizione "0" per il taglio di materiali che possono spaccarsi.**
- Aspirazione della polvere ⑮
 - Collegare l'adattatore per aspirapolvere J alla piastra base.
 - Collegare il tubo dell'aspirapolvere all'adattatore per aspirapolvere J.
 - ! **Non usare l'aspirapolvere durante il taglio di metallo.**
- Utilizzo dell'utensile
 - Prima di avviare l'utensile, assicurarsi che l'estremità anteriore della piastra base sia appoggiata sul materiale.
 - Impugnare l'apparecchio saldamente con entrambe le mani per averne sempre il massimo controllo.
 - ! **Durante l'uso, tenere l'utensile afferrando le aree evidenziate in grigio in figura ⑮**
 - Assicurarsi che l'intera superficie della piastra base sia appoggiata saldamente sul materiale.
 - ! **Assicurarsi che la lama si sia arrestata completamente prima di sollevare l'utensile dal materiale.**
 - Non coprire le aperture di ventilazione G ②

SUGGERIMENTI PER L'USO

- Utilizzare la lama appropriata. ⑰
- ! **L'utensile è compatibile con la maggior parte delle lame con codolo a T.**
- Durante il taglio di metallo, lubrificare la lama regolarmente con dell'olio.
- Effettuare un foro pilota prima di praticare un intaglio. ⑱
- Taglio senza spaccature
 - Ricoprire la linea di taglio con diversi strati di nastro adesivo prima del taglio.
 - Orientare il lato esposto del materiale verso il basso.
- Per ulteriori informazioni, visitare il sito web www.skil.com

MANUTENZIONE E RIPARAZIONE

- Questo utensile non è destinato all'uso professionale.
- Mantenere l'utensile sempre pulito (in particolare le

aperture di ventilazione G ②)

! Rimuovere la batteria dall'utensile prima di pulirlo.

- Se l'utensile presenta malfunzionamenti nonostante l'attenzione durante la fabbricazione e il collaudo, deve essere riparato da un centro di assistenza autorizzato SKIL.
 - Portare l'utensile **senza disassemblarlo** insieme a una prova di acquisto presso il rivenditore o a un centro di assistenza SKIL (gli indirizzi e la vista esplosa dell'utensile sono riportati sul sito web www.skil.com).
 - Nota: i danni causati dal sovraccarico o da un utilizzo improprio dell'utensile non sono coperti dalla garanzia (le condizioni della garanzia SKIL sono consultabili sul sito web www.skil.com o presso il rivenditore).

PROTEZIONE AMBIENTALE

- **Non smaltire gli utensili, le batterie, gli accessori e i materiali di imballaggio insieme ai rifiuti domestici** (solo per i Paesi UE).
 - Ai sensi della direttiva europea 2012/19/EC sui rifiuti di apparecchiature elettriche ed elettroniche e alla sua implementazione nella legislazione nazionale, gli utensili elettrici devono essere raccolti separatamente e portati presso un'apposita struttura di riciclaggio.
 - Il simbolo ⑥ indica tale obbligo.
- ! Prima dello smaltimento, proteggere i terminali della batteria con del nastro isolante per evitare il rischio di corto circuito.**

EMISSIONE ACUSTICA E VIBRAZIONI

- I valori di emissioni acustica e delle vibrazioni sono stati misurati conformemente a EN62841. Il livello di pressione sonora dell'utensile è di 87 dB(A) e il livello di potenza sonora è di 98 dB(A) (incertezza K = 3 dB). Il livello di vibrazioni è * (somma vettoriale triassiale; incertezza K = 1,5 m/s²).
 - * Taglio di pannelli: 7,68 m/s²
 - * Taglio di lamiera: 6,08 m/s²
 - Il valore totale di emissione delle vibrazioni è stato misurato con il metodo valutazione standard prescritto da EN62841 e può essere utilizzato per confrontare l'utensile con altri prodotti analoghi e per una valutazione preliminare dei livelli di esposizione.
 - L'utilizzo dell'utensile per altri scopi, o l'utilizzo di accessori diversi o in cattive condizioni, può **aumentare** significativamente il livello di esposizione.
 - Il periodo in cui l'utensile è spento, o è in funzione ma non in uso, può **ridurre** significativamente il livello di esposizione.
- ! Per proteggersi dagli effetti delle vibrazioni, mantenere l'utensile e gli accessori in buono stato, tenere le mani calde e pianificare il lavoro.**

H

**Szénkefe nélküli
kompakt szűrőfűrész**

3440

BEVEZETÉS

- A szerszám fa, műanyag és fém át- és kivágására szolgál, továbbá alkalmas egyenes vonalú vágásra és

akár 45°-os gervágásra is

- Ez a szerszám nem professzionális használatra készült
- Hiányzó vagy sérült alkatrész esetén forduljon a kereskedőhöz
- **A használat előtt gondosan olvassa el ezt a használati útmutatót és tartsa meg, hogy később is használhassa** ③
- **Fordítson különös figyelmet a biztonsági utasításokra és figyelmeztetésekre; ezek figyelmen kívül hagyása súlyos sérüléseket eredményezhet**

MŰSZAKI ADATOK ①

A SZERSZÁM RÉSZEI ②

- A Be-/kikapcsoló
- B LED lámpa
- C Szerszám nélküli fűrészlap-befogó
- D Orbitális vezérlőkar
- E Talp
- F A fűrészelési sebesség beállítására szolgáló kerék
- G Szellőzőnyílások
- H Akkumulátor töltöttségi szintjét jelző gomb
- J Porszívó illesztőegység
- K Hatszögkulcs

BIZTONSÁG

AZ ELEKTROMOS SZERSZÁMOKRA VONATKOZÓ ÁLTALÁNOS BIZTONSÁGI FIGYELMEZTETÉSEK

⚠ FIGYELMEZTETÉSOlvassa el az elektromos kéziszerszámhoz mellékelte összes biztonsági figyelmeztetést, utasítást, ábrát és specifikációt.
Az alább felsorolt utasítások be nem tartása áramütést, tűzveszélyt és/vagy súlyos sérülést idézhet elő.

Őrizzen meg minden figyelmeztetést és utasítást, hogy később is elő tudja majd venni.

Az „elektromos kéziszerszám” megnevezés a figyelmeztetésekből egyaránt vonatkozik a hálózati feszültségről működtetett (vezetékes) elektromos kéziszerszámokra, valamint az akkumulátorral működtetett (vezeték nélküli) elektromos kéziszerszámokra.

1) MUNKATERÜLETI BIZTONSÁG

- a) A munkaterület legyen tiszta és jól megvilágított.** A munkaterületen uralkodó rendetlenségnek vagy a rossz megvilágításnak baleset lehet a következménye.
 - b) Ne használjon elektromos szerszámokat robbanásveszélynek kitett környezetben, például olyan helyen, ahol éghető folyadékok, gázok vagy porok találhatóak.** Az elektromos szerszámok szikrákat képeznek, amelyek meggyújthatják a porokat vagy gázokat.
 - c) Tartsa távol a gyermekeket és az illetéktelen személyeket, amikor elektromos szerszámmal dolgozik.** Ha megzavarják, elveszítheti urlalmát a készülék felett.
- ### 2) ELEKTROMOS BIZTONSÁG
- a) Az elektromos szerszám hálózati csatlakozódugójának illeszkednie kell az**

elektromos aljzathoz. Soha és semmiképpen se módosítsa a csatlakozódugót. Ne használjon adaperes csatlakozódugókat a földelt elektromos szerszámokhoz. Az eredeti csatlakozódugó és megfelelő hálózati aljzat alkalmazásával megelőzi az áramütés veszélyét.

- b) **Ne érjen földelt felületekhez, ilyenek pl. a csövek, fűtőtestek, tűzhelyek vagy hűtőszekrények.** Az áramütés kockázata nagyobb, ha a teste le van földelve.
- c) **Ne tegye ki az elektromos szerszámot esőnek vagy nedves környezetnek.** Az elektromos szerszámba bekerülő víz megnöveli az áramütés kockázatát.
- d) **Ne használja a kábelt helytelen módon. Soha ne használja a kábelt az elektromos szerszám hordozására, húzására vagy lecsatlakoztatására. Tartsa távol a vezetékét hőtől, olajtól, éles szegélyektől és mozgó alkatrészekről.** A sérült vagy összegabalyodott hálózati kábelek megnövelik az áramütés veszélyét.
- e) **Az elektromos szerszám szabadtéri üzemeltetéséhez használjon szabadtéren használható hosszabbító kábelt.** A szabadtéren használható kábel alkalmazása csökkenti az áramütés kockázatát.
- f) **Ha elkerülhetetlen az elektromos szerszám használata nedves helyen, használjon földzárlat-megszakítóval (FI-relé) ellátott tápellátást.** A FI-relé használata csökkenti az áramütés veszélyét.

3) SZEMÉLYI BIZTONSÁG

- a) **Legyen figyelmes, ügyeljen arra, amit csinál, és józan ésszel fogjon a munkához, ha elektromos szerszámot használ.** Ne használja az elektromos szerszámot, ha fáradtnak érzi magát, vagy ha kábítószert, alkoholt vagy gyógyszerek hatása alatt áll. Az elektromos szerszám üzemeltetése közben egy pillanatra nyí felügyeletlenség is súlyos személyi sérülést okozhat.
- b) **Használjon egyéni védőfelszerelést. Mindig viseljen védőszemüveget.** A védőfelszerelések, mint például porvédő maszk, csúszásmentes lábbeli, sisak és hallásvédő rendeltetészerű használata révén csökkenti a személyi sérülések veszélyét.
- c) **Akadályozza meg a véletlen indítást. Ügyeljen arra, hogy a kapcsoló kikapcsolt állásban legyen, mielőtt az áramforráshoz és/vagy az akkumulátoregységhez csatlakoztatja, felveszi vagy viszi a szerszámot.** Balesetekre vezethet, ha a hálózatra csatlakoztatott szerszámot úgy viszi, hogy közben az ujjá a bekapcsoló gombon van, vagy ha a hálózati csatlakozódugót olyankor dugja be az aljzatba, amikor a szerszám be van kapcsolva.
- d) **Vegye ki a csavarkulcsot és a beállító szerszámot, mielőtt az elektromos kéziszerszámot bekapcsolná.** Az elektromos szerszám mozgó alkatrészén felejtett csavarkulcs vagy eszköz személyi sérülést okozhat.
- e) **Ne hajtson a szerszám fölé. Vegyen fel stabil testhelyzetet, és mindig tartsa meg az egyensúlyát.** Ezáltal jobban tudja irányítani az elektromos szerszámot a legváratlanabb helyzetben is.
- f) **Viseljen megfelelő ruházatot. Ne viseljen laza ruházatot vagy ékszereket.** A haj és a ruházat ne érjen a mozgó részekhez. A laza ruházatot, az ékszert vagy a hosszú hajat becsíphetik a mozgó alkatrészek.

- g) **Ha az elektromos szerszámot porszívó vagy porfelfogó eszközzel szerelik fel, akkor győződjön meg arról, hogy ezek előírászerűen vannak-e csatlakoztatva, és használja őket a rendeltetésüknek megfelelően.** Porgyűjtő használata csökkentheti a porral járó veszélyeket.
 - h) **Ne hagyja, hogy a rendszeres használat során megszerzett tapasztalat miatt túl magabiztossá váljon, és emiatt figyelmen kívül hagyja a biztonsági irányelveket.** Egy óvatlan cselekedet a másodperc töredéke alatt súlyos sérülést okozhat.
- #### 4) AZ ELEKTROMOS SZERSZÁM ÜZEMELTETÉSE ÉS GONDOZÁSA
- a) **Ne terhelje túl az elektromos szerszámot. A munkájához használja az arra alkalmas elektromos kéziszerszámot.** A megfelelő elektromos szerszámmal jobban és biztonságosabban dolgozhat a megadott teljesítményhatáron belül.
 - b) **Ne használja az elektromos szerszámot, ha nem lehet a bekapcsoló gomb segítségével be- vagy kikapcsolni.** Az olyan elektromos szerszám, amely nem irányítható a kapcsolóval, veszélyes és javításra szorul.
 - c) **Húzza ki a hálózati csatlakozó dugót az aljzataból és/vagy vegye ki az akkumulátoregységet (ha kivehető) az elektromos szerszámból, mielőtt beállításokat végezne, tartozékot cserélne vagy az elektromos szerszámot elrakná.** Az ilyen megelőző biztonsági óvintézkedések csökkentik az elektromos szerszám véletlen beindításának kockázatát.
 - d) **A használaton kívüli elektromos szerszámokat gyermekektől távol tartsa, és ne engedje meg, hogy olyan személyek használják az elektromos szerszámot, akik nem ismerik azt, vagy nincsenek tisztában ezekkel a biztonsági utasításokkal.** Az elektromos szerszámok veszélyt jelentenek a gyakorlatlan felhasználó kezében.
 - e) **Gondosan tartsa karban az elektromos szerszámot és tartozékait. Ellenőrizze a mozgó részek beállítását és rögzítését, vizsgáljon meg minden részt, nem sérült-e, és ellenőrizze, nem állnak-e fenn olyan körülmények, amelyek befolyásolhatják az elektromos szerszám helyes működését. Használat előtt javíttassa meg a sérült elektromos szerszámot.** A rosszul karbantartott elektromos szerszámok sok balesetet okoznak.
 - f) **A vágószerszámok legyenek mindig élesek és tiszták.** A megfelelően karbantartott és kiélezett vágóélekkel rendelkező vágószerszámok kevésbé hajlamosak az elgömbülésre, valamint könnyebben kezelhetők.
 - g) **Az elektromos kéziszerszámot, tartozékot, vágófeltéteket, stb. mindig ezen biztonsági utasításoknak megfelelően használja, mindig vegye figyelembe a munkakörülményeket, és legyen tekintettel a megmunkálandó munkadarabra.** Az elektromos kéziszerszám előírt rendeltetéstől eltérő használata veszélyes helyzetet eredményezhet.
 - h) **Tartsa szárazon, tisztán, olajtól és zsírtól mentesen a fogantyúkat és a tartófelületeket.** A csúszós fogantyúk és tartófelületek miatt a szerszám kezelése és vezérlése váratlan helyzetekben nem biztonságos.
- #### 5) AZ AKKUMULÁTORRAL MŰKÖDŐ SZERSZÁM ÜZEMELTETÉSE ÉS GONDOZÁSA

a) Csak a gyártó által meghatározott töltőt használja.

Az olyan töltő, amely egy típusú akkumulátoregységhez alkalmas, tűzveszélyt okozhat, ha más típusú akkumulátoregységhez használja.

b) Az elektromos szerszámokat csak speciálisan meghatározott akkumulátoregységekkel használja.

Bármely más akkumulátoregység használata sérülés- vagy tűzveszélyt okozhat.

c) Amikor nem használja az akkumulátoregységet, tartsa távol más fémtárgyaktól, például gemkapcsoktól, érméktől, kulcsoktól, szögektől, csavaroktól vagy más kis fémtárgyaktól, amelyek kapcsolatba léphetnek vele.

Az akkumulátorok kapcsolatainak rövidzárlata égési sérülést vagy tüzet okozhat.

d) Nem megfelelő körülmények között folyadék szivároghat az akkumulátorból; ne érjen ehhez. Amennyiben véletlenül hozzáérne, mossa le vízzel. Ha ez a folyadék szembe kerül, forduljon orvoshoz is.

Az akkumulátorból kiszivárgó folyadék irritációt vagy égési sérülést okozhat.

e) Ne használjon sérült vagy módosított akkumulátoregységet vagy szerszámot.

A sérült vagy módosított akkumulátorok előre nem látható módon viselkedhetnek, aminek eredménye tűz, robbanás vagy sérülésveszély lehet.

f) Ne tegye ki az akkumulátoregységet tűznek vagy túlzott hőmérsékletnek.

Ha tűznek, vagy 130 °C feletti hőmérsékletnek teszi ki, akkor felrobbanhat.

g) Tartsa be a töltési utasításokat, és ne töltse az akkumulátoregységet vagy a szerszámot az utasításokban meghatározott hőmérséklet-tartományon kívül.

A nem megfelelő vagy a meghatározott hőmérséklet-tartományon kívüli töltés károsíthatja az akkumulátort, és növeli a tűzveszélyt.

6) SZERVIZ

a) Az elektromos kéziszerszám szervizelését szakképzett szerelő végezze, csak az eredetivel megegyező cserealkatrészek felhasználásával.

Ezzel biztosítja az elektromos szerszám biztonságának fenntartását.

b) Soha ne szervizeljen sérült akkumulátoregységet.

Az akkumulátoregységet csak a gyártó vagy felhatalmazott szerviz szolgáltató szervizelheti.

BIZTONSÁGI UTASÍTÁSOK AKKUS SZÚRÓFŰRÉSZEKHEZ

- **Az elektromos kéziszerszámot csak a szigetelt fogantyúfelületeknél fogva tartsa, ha olyan munkát végez, amelynek során a csavar feszültség alatt álló, kívülről nem látható vezetékekhez érhet** (ha a csavarok feszültség alatt álló vezetékhez érnek, az elektromos kéziszerszám fémrészei szintén feszültség alá kerülhetnek és áramütéshez vezethetnek)
- **Szorítóval vagy más praktikus módon rögzítse, és támassza meg a munkadarabot egy stabil tartóállványon** (ha csak a kezével tartja vagy a testéhez támasztja a munkadarabot, elveszítheti a stabilitást, valamint az uralmat a gép felett)

ÁLTALÁNOS TUDNIVALÓK

- **Ne munkáljon meg a berendezéssel azbeszteszt tartalmazó anyagokat** (az azbeszteszt rakkeltő hatású

anyagoknak minősül)

- A készüléket csak 16 éven felüli személyek használhatják
- Munka közben a zaj meghaladhatja a 85 dB(A); használjon fülvédőt
- Használjon védőszemüveget ha olyan anyaggal dolgozik amelyik sok forgácsot vagy szilánkot produkál
- Az olyan anyagokból származó por, mint például az olmot tartalmazó festék, néhány fafajta, ásványi anyagok és fém, káros lehet (a por megérintése vagy belégzése allergiás reakciókat és/vagy légzőszervi betegségeket okozhat a kezelő, illetve a közelben állók esetében); **viseljen pormaszkot, és amennyiben csatlakoztatható, dolgozzon porszivó berendezéssel**
- Bizonyos porfajták rákkeltő besorolással rendelkeznek (ilyen például a tölgy- és a bükkfa pora), különösen a fa kondicionálására szolgáló adalékokkal együtt; **viseljen pormaszkot és amennyiben csatlakoztatható, dolgozzon porszivó berendezéssel**
- Kövesse a por kezelésével kapcsolatos helyi előírásokat azon termékekkel kapcsolatban, amelyel dolgozni kíván
- Vegye ki az akkumulátort a szerszámot, mielőtt beállításokat végezne vagy tartozékcserét elõtt

HASZNÁLAT ELŐTT

- Mielőtt elkezdené a vágást, távolítson el minden akadályt a vágási vonal elõl
- Ügyeljen arra, hogy a munkadarabban lévő csavar, szög vagy hasonló sérüléseket ne okozhasson; a munka megkezdése elõtt eltávolítandó

HASZNÁLAT KÖZBEN

- Amennyiben be van kapcsolva a gép, kezét tartsa távol a körfűrészlaptól

TARTOZÉKOK

- SKIL cég kizárólag eredeti alkatrészek és kiegészítők alkalmazása esetén tudja garantálni a gép problémamentes működését
- Ne használjon repedt, deformált vagy tompa fűrészlapot

A HASZNÁLATOT KÖVETŐEN

- A gépet soha ne hagyja bekapcsolt állapotban, ha már nem dolgozik vele

AKKUMULÁTOROK

- **A tartozék akkumulátor részlegesen van feltöltve** (az akkumulátor teljes kapacitásának biztosítása érdekében az elektromos szerszám első használata elõtt töltse fel teljesen az akkumulátort az akkumulátortöltőben).
- **Csak a következő akkumulátorokkal és töltőkkel használja a szerszámot**
 - SKIL akkumulátor: BR1*31****
 - SKIL töltő: CR1*31****
- Ne használja az akkumulátort, ha sérült; az akkumulátort haladéktalanul ki kell cserélni
- Ne szerelje szét az akkumulátort
- A szerszámot/akkumulátort óvja az esőtől
- Megengedett környezeti hőmérséklet (szerszám/töltő készülék/akkumulátor):
 - a töltés során 4...40°C
 - a használat során -20...+50°C
 - a tárolás során -20...+50°C

A KÉSZÜLÉKEN/AKKUMULÁTORON TALÁLHATÓ SZIMBÓLUMOK MAGYARÁZATA

③ Használat elõtt olvassa el a használati utasítást

④ Ha az akkumulátorok tűzbe kerülnek, akkor felrobbanhatnak, ezért semmilyen okból ne égesse el az akkumulátorokat

⑤ Ne tárolja a szerszámot/töltőt/akkumulátort 50°C feletti

helyiségben

- ⑥ Ne dobja ki az elektromos szerszámokat és az akkumulátorokat a háztartási hulladékok közé

KEZELÉS

- Az akkumulátor töltése
! olvassa el a töltővel kapott biztonsági figyelmeztetéseket és utasításokat
 - Az akkumulátor kivétele/berakása ②
 - Akkumulátor töltésszintjelző ⑦
 - nyomja meg az akkumulátor töltöttségi szintjét jelző H gombot az aktuális akkumulátorszint ⑦ a kijelzéséhez
 - ! ! amikor a H ⑦ b gomb megnyomása után az akkumulátor kijelzőjének legalacsonyabb szintje villogni kezd, akkor az akkumulátor lemerült**
 - ! ! ha a H ⑦ c gomb megnyomása után az akkumulátor töltésszintjelző 2. szintje villogni kezd, az akkumulátor nincs a megengedett üzemi hőmérséklettartományon belül**
 - LED lámpa ⑭
 - A B LED lámpa automatikusan felkapcsol, ha megnyomja a be-/kikapcsoló gombot.
 - ! ha a LED munkalámpa elkezd villogni, az akkumulátorkímélés aktiválódik (lásd az alábbiakban)**
 - Az akkumulátor védelme
A szerszám hirtelen kikapcsol vagy nem lehet visszakapcsolni, ha
 - túl nagy a terhelés** --> távolítsa el a terhelést és kezdje újra
 - az akkumulátor hőmérséklete nem a -20 és +50 °C közötti megengedett üzemi hőmérséklettartományon belül van** --> az akkumulátor töltésszintjének 2. szintje villogni kezd a H ⑦ c; gomb megnyomásakor; várjon, amíg az akkumulátor ismét a megengedett üzemi hőmérséklettartományba kerül
 - az akkumulátor majdnem üres (a mélykisülés elleni védelem érdekében)** --> az alacsony akkumulátor töltésszint vagy villogó alacsony akkumulátor töltésszint ⑦ b az akkumulátor töltésszintjelzőn látható a H gomb megnyomásakor; tölts fel az akkumulátort
 - ! ha a készülék automatikusan kikapcsolt, ne próbálja nyomogatni a be-/kikapcsoló gombot, mert az akkumulátor károsodhat**
 - Be/ki ⑧
 - a szerszám be-/kikapcsolása az A kapcsoló „I/O” pozícióba állításával történik
 - Sebességszabályozó ⑨
 - az F tárcsakerékkel választható ki a kívánt fűrészelési sebesség
- Az optimális sebesség az anyagtól függ, és gyakorlati próbával határozható meg
Ha az F tárcsakerék „A” állásba van állítva, a terhelés nélküli fordulatszám csökken a szabályozott indításhoz
- fűrészeléskor a sebesség automatikusan teljes sebességre gyorsul
- ! a szerszám csak újraindítás után tér vissza a csökkentett, terhelés nélküli sebességre**
 - A fűrészlap kicserélése ⑩
 - ! vegye ki az akkumulátort a szerszámból, mielőtt beállításokat végezne rajta, vagy kicserélné a**

tartozékokat

! a fűrészlapot a fogakkal előre mutató irányban, a teljes mélységig tolja be ⑪

- a legáltalánosabban kapható T befogóvégű fűrészlapok jellemzően beilleszthetők a gépbe ⑩
- ha szeretné kivenni a fűrészlapot, akkor csak a rögzítőjét kell megfogni (a fűrészlapot nem kell megérinteni)
- Fűrészelés 45°-ban ⑫
- Fűrészelési mód kiválasztása ⑬
 - A D kar segítségével állíthatja be az íves mozgást, precíz fűrészeléstartól (= 0) a gyors fűrészelésig (= 3)
 - 1 fokozat („0”) precíz fűrészeléshez minden anyagban, egyenes + ívelt vágáshoz
 - 3 külön fokozat gyors vfűrészeléshez különböző anyagokban, kizárólag egyenes vágás esetén
 - 1 = alumínium, műanyag
 - 2 = keményfa
 - 3 = puha fa
 - ! szálkásodásra hajlamos anyagok esetén mindig a „0” fokozatot válassza**
- Porelszívás ⑮
 - csatlakoztassa a porszívó J adapterét a talphoz
 - csatlakoztassa a porszívó csövét a porszívó J adapteréhez
 - ! ne használja a porszívót fém vágása közben**
- A szerszám használata
 - mielőtt bekapcsolja a szerszámot, ellenőrizze, hogy a talp első vége laposan helyezkedik-e el a megmunkálendő anyagon
 - fogja mindkét kézben keményen a szerszámot, hogy ilyenképpen mindig teljesen ura legyen az eszköznek
 - ! munka közben végig a szürke színű markolati terület(ek)nél fogva tartsa gépet ⑯**
 - ellenőrizze, hogy a talp teljes felülete szilárdan helyezkedik-e el a megmunkálendő anyagon
 - ! ellenőrizze, hogy a fűrészlap teljesen leállt-e, mielőtt a gépet a munkadarabtól eltávolítja**
 - a G ② szellőzőnyílásokat tartsa szabadon

HASZNÁLAT

- Fontos, hogy mindig megfelelő fűrészlapot használjon ⑰
 - ! a legáltalánosabban kapható T befogóvégű fűrészlapok jellemzően beilleszthetők a gépbe**
- Fémek vágása esetén rendszeresen olajozza a fűrészlapot
- Teljes kivágás előtt készítsen előfuratot ⑱
- Szilánkmentes vágás
 - a vágást megelőzően ragassza le több rétegben a vágási vonalat széles szigetelőszalaggal
 - a munkadarab színét mindig lefelé fordítsa
- A további információkért lásd a www.skil.com oldalt


KARBANTARTÁS / SZERVIZ

- Ez a szerszám nem professzionális használatra készült
- Mindig tartsa tisztán a szerszámot (különös tekintettel a G ② szellőzőnyílásokra)
 - ! tisztítás előtt vegye ki az akkumulátort**
- Ha a szerszám a gondos gyártási és ellenőrzési eljárás ellenére egyszer mégis meghibásodna, akkor a javítással csak SKIL elektromos kéziszerszám-műhely ügyfélszolgálatát szabad megbízni
 - megbontás nélküli állapotában küldje a**

szerszámot a vásárlást bizonyító számlával együtt a márkakereskedő vagy a legközelebbi SKIL szervizállomás címére (a címlista és a gép szervizdiagramja a www.skil.com címen található)

- Vegye figyelembe, hogy a szerszám túlterheléséből vagy helytelen kezeléséből eredő károk nem tartoznak a garancia hatálya alá (a SKIL garanciális feltételeit elolvashatja a www.skil.com oldalon, vagy kérdezze meg kereskedőjét)

KÖRNYEZET

- **Az elektromos szerszámokat, akkumulátorokat, tartozékokat és csomagolást ne tegye a háztartási hulladékok közé** (csak EU-oroszágok számára)
 - az elektromos és elektronikus berendezések hulladékairól szóló 2012/19/EK európai irányelv és annak a nemzeti joggal összhangban történő végrehajtása értelmében az elhasználotott elektromos szerszámokat külön kell gyűjteni, és környezetbarát módon újra kell hasznosítani
 - erre emlékeztet a  jelzés, amennyiben felmerül az intézkedésre való igény
- ! **ártalmatlanítás előtt erős szigetelőszalaggal védje az akkumulátor kapcsait a rövidzárlat elkerülése érdekében**

ZAJ / REZGÉS

- Az EN62841 szabványnak megfelelően végzett mérés szerint a szerszám hangnyomásszintje 87 dB(A), a hangteljesítményszintje 98 dB(A) (bizonytalanság K = 3 dB), a rezgés pedig * (háromtengelyű vektor összege; bizonytalanság K = 1,5 m/s²)
 - * deszka vágása 7,68 m/s²
 - * fémlapok fűrészelése 6,08 m/s²
- A rezgés kibocsátási szint mérése az EN62841 szabványosított vizsgálat szerint történt; ez az érték felhasználható egy szerszám és egy másik szerszám összehasonlítására, valamint a rezgésnek való kitettség előzetes értékelésére, amikor a szerszámot az említett alkalmazásokhoz használják
 - a szerszám különböző alkalmazásokhoz való használata, vagy más vagy rosszul karbantartott tartozékokkal történő használata jelentősen **megnövelheti** a kitettség szintjét
 - azok az idők, amikor a szerszám ki van kapcsolva, vagy működik ugyan, de valójában nem végez munkát, jelentős mértékben **csökkenthetik** a kitettség szintjét
- ! **védekezzen a rezgés hatása ellen a szerszám és tartozékai karbantartásával, a kezek melegen tartásával és a munkamódszerek megszerzésével**


CE

Bezkontaktní kompaktní přímočará pila

3440

ÚVOD

- Tato pila je určená k vyřezávání otvorů a různých tvarů ze dřeva, plastu, kovu a lze ji použít pro rovné a zakřivené řezy s kosým úhlem do 45°

- Tento nástroj není určen k profesionálnímu použití
- Pokud některé součásti chybí nebo jsou poškozené, obraťte se na prodejce
- **Před použitím si pečlivě přečtěte tento návod s pokyny a uschovejte si jej pro budoucí potřebu** 
- **Zvláštní pozornost věnujte bezpečnostním pokynům a výstrahám; při jejich nedodržení se vystavujete nebezpečí vážného úrazu**


TECHNICKÉ ÚDAJE

SOUČÁSTI NÁŘADÍ

- A Hlavní vypínač
- B LED světló
- C Svorka listu pro použití bez nářadí
- D Orbitální ovládací páka
- E Základní deska
- F Kolečko na regulaci rychlosti řezání
- G Větrací štěrby
- H Tlačítko kontrolky nabití akumulátoru
- J Adaptér vysavače
- K Šestihranný klíč

BEZPEČNOST

OBECNÁ BEZPEČNOSTNÍ VAROVÁNÍ PRO PRÁCI S ELEKTRICKÝM NÁŘADÍM

 **VAROVÁNÍ** Prostudujte si všechny bezpečnostní výstrahy, pokyny, ilustrace a technické údaje dodané s tímto elektrickým nářadím. Nedodržení všech níže uvedených pokynů může vést k úrazu elektrickým proudem, požáru a/nebo vážnému úrazu.

Všechna varování a pokyny uschovejte pro budoucí použití.

Termín „elektrické nářadí“ ve varováních odkazuje na vaše elektrické nářadí (s kabelem) nebo akumulátorové nářadí (bez kabelu).

1) BEZPEČNOST NA PRACOVÍŠTI

- a) **Udržujte pracovní prostor v čistotě a dobře osvětlený.** Nepořádek nebo neosvětlené pracovní oblasti bývají příčinou úrazů.
- b) **Nepracujte s elektrickým nářadím ve výbušném prostředí, například v přítomnosti hořlavých kapalin, plynů nebo prachu.** Elektrické nářadí je zdrojem jiskření, které může zapálit prach nebo výpary.
- c) **Při práci s elektrickým nářadím udržujte děti a přihlížející osoby v bezpečné vzdálenosti.** Nesoustředěnost může způsobit ztrátu kontroly.

2) ELEKTRICKÁ BEZPEČNOST

- a) **Zástrčky elektrického nářadí musí odpovídat zásuvkám. V žádném případě nikdy neupravujte zástrčku. S uzemněným elektrickým nářadím nepoužívejte žádné rozbočovací zásuvky.** Neupravené zástrčky a shodné zásuvky snižují riziko úrazu elektrickým proudem.
- b) **Zabraňte kontaktu těla s uzemněnými povrchy, jako jsou potrubí, radiátory, sporáky a ledničky.** Existuje zvýšené riziko úrazu elektrickým proudem, pokud je vaše

tělo uzemněno.

- c) **Nevystavujte elektrické nářadí dešti nebo vlhkému prostředí.** Vniknutí vody do elektrického nářadí zvyšuje riziko úrazu elektrickým proudem.
 - d) **Nezatěžujte kabel. Nikdy nepoužívejte napájecí kabel k přenášení nářadí, tahání nebo vytahování zástrčky ze zásuvky. Udržujte kabel daleko od tepla, oleje, ostrých hran nebo pohyblivých částí.** Poškozené nebo spletené kabely zvyšují riziko úrazu elektrickým proudem.
 - e) **Při práci s nářadím venku používejte prodlužovací kabel vhodný pro venkovní použití.** Použití kabelu vhodného pro venkovní použití snižuje riziko úrazu elektrickým proudem.
 - f) **Pokud musíte s elektrickým nářadím pracovat ve vlhkém prostředí, použijte napájení s ochranou proti zbytkovému proudu (RCD).** Použití RCD snižuje riziko úrazu elektrickým proudem.
- 3) BEZPEČNOST OSOB**
- a) **Při práci s elektrickým nářadím buďte stále pozorní, sledujte, co děláte a používejte zdravý rozum. Nepoužívejte elektrické nářadí, jste-li unaveni nebo pod vlivem drog, alkoholu nebo léků.** Chvilka nepozornosti při práci s nářadím může vést k vážnému zranění.
 - b) **Používejte osobní ochranné pracovní prostředky. Vždy používejte ochranu očí. Ochranné pomůcky, jako např. respirátor, protiskluzová bezpečnostní obuv, pevná přilba nebo chrániče sluchu, používané ve vhodném prostředí snižují riziko úrazu.**
 - c) **Zabraňte náhodnému spuštění. Před připojením ke zdroji napětí a/nebo akumulátoru, zvedáním nebo přenášením nářadí se ujistěte, že vypínač je ve vypnuté poloze.** Přenášení elektrického nářadí s prstem na vypínači nebo zapojování elektrického nářadí, které má zapnutý spínač, může snadno způsobit nehodu či úraz.
 - d) **Před zapnutím elektrického nářadí odstraňte seřizovací klíče nebo klíče.** Nástroj nebo klíč, který zůstane upevněn k otáčející se části elektrického nářadí, může způsobit osobní zranění.
 - e) **Nepřeceňujte své síly. Vždy udržujte pevný postoj a rovnováhu.** To umožní lepší ovládnutí elektrického nářadí v nečekaných situacích.
 - f) **Používejte vhodný oděv. Nenoste volný oděv ani šperky. Udržujte své vlasy a oblečení mimo dosah pohyblivých částí.** Volný oděv, šperky nebo dlouhé vlasy se mohou zachytit do pohyblivých dílů.
 - g) **Pokud je zařízení vybaveno adaptérem pro připojení odsávání prachu a sběrnými zařízeními, zajistěte jejich správné připojení a řádnou funkci.** Použití odsávání prachu může snížit nebezpečí týkající se prachu.
 - h) **Nedovolte, abyste se po získání zkušeností častým používáním nástrojů stali neobezřetnými a ignorovali zásady bezpečnosti.** Nedbalá činnost může způsobit vážné zranění za zlomek sekundy.
- 4) POUŽITÍ A PÉČE O ELEKTRICKÉ NÁŘADÍ**
- a) **Netlačte příliš na nářadí. Používejte správný typ nářadí pro vaše použití.** Správné elektrické nářadí bude pracovat lépe a bezpečněji rychlostí, pro kterou bylo navrženo.
 - b) **Nepoužívejte elektrické nářadí v případech, že vypínač**

nefunguje. Jakékoliv elektrické nářadí, které nelze ovládat vypínačem, je nebezpečné a musí se opravit.

- c) **Před jakýmkoliv seřizováním, výměnou příslušenství nebo před uložením nepoužívaného elektrického nářadí odpojte napájení nebo akumulátor, jde-li to provést.** Tato preventivní bezpečnostní opatření snižují riziko náhodného spuštění elektrického nářadí.
 - d) **Nepoužívané elektrické nářadí uchovávejte mimo dosah dětí a nenechte s elektrickým nářadím pracovat osoby, které se neseznámily s elektrickým nářadím nebo těmito pokyny.** Elektrické nářadí je v rukou nekalifikované obsluhy nebezpečné.
 - e) **Udržujte elektrické nářadí a příslušenství. Zkontrolujte vychýlení či zaseknutí pohyblivých částí, poškození jednotlivých dílů a jiné okolnosti, které mohou ovlivnit chod nářadí. Je-li nářadí poškozeno, nechejte ho před použitím opravit.** Mnoho nehod je způsobeno nedostatečnou údržbou nářadí.
 - f) **Udržujte řezné nástroje ostré a čisté.** Řádně udržované řezné nástroje s ostrými řeznými hranami nemají tendenci se ohýbat a lépe se ovládnají.
 - g) **Používejte elektrické nářadí, příslušenství a nástrojové hroty atd. v souladu s těmito pokyny s přihlédnutím k pracovním podmínkám a práci, která má být provedena.** Používání elektrického nářadí k činnostem, pro které není určeno, může vést k nebezpečným situacím.
 - h) **Udržujte rukojeti a uchopovací plochy suché, čisté, bez oleje a maziva.** Kluzké rukojeti a plochy pro uchopení neumožňují bezpečnou manipulaci s nářadím a jeho ovládnutí v nečekaných situacích.
- 5) POUŽITÍ A PÉČE O AKUMULÁTOROVÉ NÁŘADÍ**
- a) **K nabíjení používejte pouze nabíječku doporučenou výrobcem.** Nabíječka vhodná pro jeden typ akumulátoru může způsobit riziko požáru při použití s jiným akumulátorem.
 - b) **Používejte elektrické nářadí pouze se specifikovanými akumulátory.** Použití jiných akumulátorů může způsobit riziko úrazu a požáru.
 - c) **Pokud akumulátor nepoužíváte, držte jej z dosahu kovových předmětů, jako jsou kancelářské sponky na papír, mince, klíče, hřebíky, šroubky nebo další drobné kovové předměty, které mohou propojit kontakty baterie.** Zkratování kontaktů baterie může způsobit spálení nebo požár.
 - d) **V nevhodných podmínkách může kapalina unikat z baterie. Zabraňte kontaktu. Při náhodném kontaktu opláchněte vodou. Při zasazení očí kapalinou vyhledejte lékařskou pomoc.** Unikající kapalina z akumulátoru může způsobit podráždění pokožky nebo popálení.
 - e) **Nepoužívejte akumulátor nebo nářadí, které jsou poškozené nebo upravené.** Poškozené nebo upravené akumulátory se mohou chovat nepředvídatelně, což může vést k požáru, výbuchu nebo nebezpečí zranění.
 - f) **Nevystavujte akumulátor ani nářadí ohni nebo příliš vysoké teplotě.** Při vystavení ohni nebo teplotě nad 130 °C může dojít k výbuchu.
 - g) **Dodržujte všechny pokyny pro nabíjení a nenabíjejte akumulátor nebo nářadí mimo rozsah teplot uvedených v pokynech.** Nesprávné nabíjení

nebo nabíjení při teplotách mimo stanovený rozsah může poškodit akumulátor a zvýšit riziko požáru.

6) SERVIS

- a) **Svěřte opravu vašeho elektrického nářadí kvalifikované osobě používající pouze shodné náhradní díly.** Tím zajistíte bezpečnost elektrického nářadí.
- b) **Nikdy neopravujte poškozené akumulátory.** Servis akumulátorů může provádět pouze výrobce nebo autorizovaní poskytovatelé služeb.

BEZPEČNOSTNÍ PŘEDPISY PRO AKUMULÁTOROVÉ PŘÍMOČARÉ PILY

- **Pokud provádíte práce, při kterých může šroub zasáhnout skrytá elektrická vedení, pak držte elektronářadí na izolovaných plochách rukojeti** (kontakt s vedením pod napětím může přivést napětí i na kovové díly elektronářadí a vést k úderu elektrickým proudem)
- **Pomocí svorek nebo jiným vhodným způsobem upevněte a podepřete obrobek na stabilní podložku** (pokud jej budete při práci držet v ruce nebo opřený o tělo, bude nestabilní a můžete nad ním ztratit kontrolu)

OBECNĚ

- **Nepracovávávejte žádný materiál obsahující azbest** (azbest je považován za karcinogenní)
- Tento nástroj nesmí používat osoby mladší 16 let
- Hladina hluku může při práci přesáhnout 85 dB(A); vhodným prostředkem si chráňte uši
- Pracujete-li s materiálem, který se snadno štěpí, použijte ochranné brýle
- Prach z materiálů, jako jsou barvy obsahující olovo, některé druhy dřeva, minerály a kovy, může být škodlivý (kontakt s prachem nebo jeho vdechnutí může způsobit alergickou reakci a/nebo vyvolat respirační choroby u obsluhy nebo přihlížejících); **používejte protiprachovou masku a pracujte se zařízením na odsávání prachu, pokud je možné jej připojit**
- Některé druhy prachu jsou klasifikovány jako karcinogenní (například dubový a bukový prach) zejména ve spojení s aditivou pro úpravu dřeva; **používejte protiprachovou masku a pracujte se zařízením na odsávání prachu, pokud je možné jej připojit**
- Dodržujte stanovená nařízení pro práci v prašném prostředí
- Před nastavením nebo výměnou příslušenství vždy vytáhněte akumulátor

PŘED POUŽITÍM

- Před začátkem řezání odstraňte z řezané dráhy všechny překážky jak nahoře tak vespod obrobku
- Vřtačku nepoužívejte je-li navhla a nepracujte v blízkosti snadno zápalných nebo výbušných materiálů; před zahájením práce je odstraňte

BĚHEM POUŽITÍ

- Při práci dodržujte bezpečnou vzdálenost vašich rukou od běžícího pilového listu

PŘÍSLUŠENSTVÍ

- SKIL zajistí bezvadnou funkci nářadí pouze tehdy, používáte-li původní značkové
- Nepoužívejte pilu, je-li list prasklý, zdeformovaný nebo matný

PO POUŽITÍ

- Když nářadí odkládáte, vypněte motor a zajistěte, aby se všechny pohyblivé části zcela zastavily

AKUMULÁTORY

- **Dodávaný akumulátor je částečně nabitý** (v zájmu zajištění maximální kapacity akumulátoru jej před prvním použitím vašeho elektrického nářadí úplně dobijte v nabíječce)
- **Používejte pouze následující akumulátory a nabíječky dodávané s tímto nástrojem**
 - Akumulátor SKIL: BR1*31****
 - Nabíječka SKIL: CR1*31****
- Poškozený akumulátor nepoužívejte, nahraďte jej novým
- Akumulátor nerozebírejte
- Nevystavujte nástroj/akumulátor dešti
- Povolená teplota prostředí (nářadí/nabíječka/akumulátor):
 - při nabíjení 4 až 40 °C
 - při provozu - 20 až + 50 °C
 - při skladování - 20 až + 50 °C

VYSVĚTLENÍ SYMBOLŮ NA NÁSTROJI/BATERII

- ③ Před použitím si přečtěte návod k použití
- ④ Akumulátor při vhození do ohně explodují, proto je nikdy nevhazujte do otevřeného plamene
- ⑤ Nářadí/nabíječku/akumulátor ukládejte na vhodné, suché a zajištěné místo, v prostorách s teplotou maximálně 50 °C
- ⑥ Nevyhazujte elektrické nářadí a akumulátory do komunálního odpadu

OBSLUHA

- Nabíjení akumulátorů
 - ! přečtěte si bezpečnostní upozornění a pokyny, které byly dodány spolu s nabíječkou
- Odstanění/instalace akumulátoru ②
- Kontrolka nabití akumulátoru ⑦
 - stiskněte tlačítko kontrolky nabití akumulátoru H, aby ukázalo aktuální úroveň nabití ⑦a
 - ! když na nejnižší úrovni nabití začne kontrolka akumulátoru po stisknutí tlačítka H ⑦b blikat, akumulátor je vybitý
 - ! když po stisknutí tlačítka H ⑦c začnou blikat 2 pole ukazatele, znamená to, že se akumulátor nachází mimo povolený rozsah pracovní teploty
- LED světlo ④
 - LED světlo B se automaticky rozsvítí při aktivaci hlavního vypínače
 - ! když pracovní LED světlo začne blikat, aktivuje se ochrana akumulátoru (viz níže)
- Ochrana akumulátoru
 - Nářadí se najednou vypne nebo mu je zabráněno v zapnutí, když
 - je zátěž příliš vysoká -> odstraňte zátěž a proveďte restart
 - teplota akumulátoru není v rozsahu přípustných provozních teplot - 20 až + 50 °C --> 2 úrovně kontrolky nabití akumulátoru začnou blikat po stisknutí tlačítka H ⑦c; počkejte, dokud se akumulátor nevrátí do rozsahu přípustných provozních teplot
 - akumulátor je téměř vybitý (ochrana před přílišným vybitím) --> při stisknutí tlačítka H kontrolka nabití akumulátoru ukáže nízkou úroveň baterie nebo blikající nízkou úroveň akumulátoru ⑦b; nabijte akumulátor
 - ! po automatickém vypnutí nástroje netiskněte hlavní vypínač; mohlo by dojít k poškození akumulátoru
- Zapnutí/Vypnutí ⑧

- zapněte/vypněte nářadí stisknutím vypínače A do polohy „I/O“.

- Ovládání rychlosti ⑨
- pomocí číselníkového kolečka F lze zvolit požadovanou rychlost řezání

Optimální pracovní rychlost závisí na daném materiálu a můžete ji zjistit praktickými pokusy
S číselníkovým kolečkem F nastaveným na „A“ je rychlost bez zatížení snížena pro řízené spouštění

- při řezání se rychlost automaticky zvýší na plnou rychlost

! nástroj se vrátí ke snížené rychlosti bez zatížení až po restartování

- Výměna pilového listu ⑩

! před nastavením nebo výměnou příslušenství vždy vytáhněte akumulátor

! zcela zasuňte pilový list tak, aby zuby směřovaly vpřed ⑪

- I do nástroje můžete připevnit většinu běžně dostupných pilových listů se stopkami typu T ⑩

- pro vysunutí pilového listu používejte pouze páku svorky listu C (není třeba se dotýkat pilového listu)

- Řezání při 45° ⑫

- Výběr režimu řezání ⑬

Použijte páku D pro nastavení orbitální akce od přesného řezání (= 0) na rychlé řezání (= 3)

- 1 stupeň nastavení (“0”) k přesnému řezání ve všech druzích materiálů, přímce a po křivce

- 3 stupně nastavení pro rychlé řezání v různých materiálech, pouze rovné řezy

1 = hliník, umělá hmota

2 = tvrdé dřevo

3 = měkké dřevo

! při řezání štěpivého materiálu vždy použijte režim „0“

- Odsávání prachu ⑮

- připojte adaptér vysavače K k základní desce

- připojte hadici vysavače k adaptéru vysavače J

! nepoužívejte vysavač při řezání kovu

- Použití nástroje

- před zapnutím pily zkontrolujte, zda přední hrana patky spočívá rovně na řezaném materiálu

- uchopte nástroj pevně oběma rukama, abyste jej za všech okolností dokonale ovládali

! při práci vždy držte nářadí za šedě zabarvenou oblast rukojeti ⑯

- zkontrolujte, zda patka spočívá celou plochou pevně na řezaném materiálu

! před vyjmutím nářadí z obrobku nejdříve počkejte na úplné zastavení pilového kotouče

- udržujte větrací štěrbinu G ② nezakryté

NÁVOD K POUŽITÍ

- Používejte vhodné pilové listy ⑰

! do nástroje můžete připevnit většinu běžně dostupných pilek se stopkami typu T

- Při řezání kovů listy pravidelně naolejujte

- Před vyřezáváním výřezů si do materiálu vyvrtejte otvor ⑱

- Řezání bez štěpení

- před řezáním nalepte na zamýšlený řez několik vrstev široké pásky

- řezy provádějte vždy na rubu materiálu (lícem dolů)

- Další informace najdete na www.skil.com

ÚDRŽBA / SERVIS

- Tento nástroj není určen k profesionálnímu použití
- Nástroj udržujte vždy čistý (zejména větrací štěrbinu G ②)

! před montáží vyjměte z nářadí akumulátor

- Pokud dojde i přes pečlivou výrobu a náročné kontroly k poruše nástroje, světe provedení opravy autorizovanému servisnímu středisku pro elektronářadí firmy SKIL
- zašlete nástroj **nerozebraný** spolu s potvrzením o nákupu do vaší prodejny nebo nejbližšímu servisnímu středisku značky SKIL (adresy a servisní schéma nástroje najdete na www.skil.com)
- Uvědomte si, že na poškození způsobené přetížením nebo nesprávným zacházením se nevztahuje záruka (záruční podmínky společnosti SKIL najdete na adrese www.skil.com nebo se obraťte na prodejce)

ŽIVOTNÍ PROSTŘEDÍ

- **Elektrické nářadí, baterie, doplňky a balení nevyhazujte do komunálního odpadu** (jen pro státy EU)

- podle evropské směrnice 2012/19/ES o nakládání s použitými elektrickými a elektronickými zařízeními a odpovídajících ustanovení právních předpisů jednotlivých zemí se použitá elektrická nářadí, musí sbírat odděleně od ostatního odpadu a podrobit ekologicky šetrnému recyklování

- na nutnost příslušného nakládání s odpadem upozorňuje symbol ⑥

! u vyřazených akumulátorů zakryjte kontakty izolační páskou, zabráníte tím plazivým proudům

HLUČNOSTI / VIBRACÍ

- Při měření v souladu s normou EN62841 je hladina akustického tlaku tohoto nářadí 87 dB(A) a hladina akustického výkonu 98 dB(A) (nepřesnost K = 3 dB) a vibrace* (celkové hodnoty vibrací; nepřesnost K = 1,5 m/s²)

* řezání prkna 7,68 m/s²

* řezání plechu 6,08 m/s²

- Úroveň vibrací byla měřena v souladu se standardizovaným testem podle EN 62841; je možné ji použít ke srovnání jednoho přístroje s druhým a jako předběžné posouzení vystavování se vibracím při používání přístroje k uvedeným aplikacím
- používání nářadí k jiným aplikacím nebo s jiným či špatně udržovaným příslušenstvím může zásadně **zvýšit** úroveň vystavení se vibracím
- doba, kdy je nářadí vypnuté, nebo když běží, ale ve skutečnosti není používáno, může zásadně **snížit** úroveň vystavení se vibracím

! chraňte se před následky vibrací tak, že budete dbát na údržbu přístroje a příslušenství, budete si udržovat teplé ruce a uspořádáte si své pracovní postupy

TR

**Fırçasız kompakt dekupaj
testeresi**

3440

GİRİŞ

- Bu alet, tahta, plastik, metal ve kauçuk üzerinde kesim yapmak için tasarlanmıştır ve 45° derecelik gönye açılılarıyla düz ve kıvrımlı kesimler yapmaya uygundur
- Bu alet profesyonel kullanıma yönelik değildir
- Parçaların eksik veya hasarlı olması durumunda bayinizle temasa geçin
- **Aleti kullanmadan önce bu kılavuzu dikkatli bir şekilde okuyun ve ileride kullanmak üzere saklayın** ③
- **Güvenlik talimatlarına ve uyarılarına özellikle dikkat edin, bu talimatlara/uyarılar uyulmaması halinde ciddi yaralanmalar meydana gelebilir**

TEKNİK VERİLER ①

ALETİN PARÇALARI ②

- A Açma/kapatma düğmesi
- B LED ışık
- C Takımsız bıçak kelepçesi
- D Yörünge kontrol kolu
- E Ayak plakası
- F Kesme hızı ayar tekerleği
- G Havalandırma delikleri
- H Batarya seviyesi göstergesi düğmesi
- J Süpürge adaptörü
- K Alyan anahtarı

GÜVENLİK

ELEKTRİKLİ ALETLER İÇİN GENEL GÜVENLİK UYARILARI

⚠ UYARI Bu elektrikli alet ile birlikte verilen tüm güvenlik uyarılarını, talimatları, çizimleri ve teknik özellikleri okuyun. Aşağıdaki talimatların tamamına uyulmaması elektrik çarpması, yangın ve/veya ciddi yaralanma ile sonuçlanabilir.

Tüm uyarı ve talimatları gelecekte başvuru amacıyla muhafaza edin.

Uyarılarda geçen “elektrikli alet” terimi ile elektrik prizinden beslenen (kablolu) elektrikli alet veya şarjlı (kablesiz) elektrikli alet kastedilmektedir.

1) ÇALIŞMA ALANI GÜVENLİĞİ

- a) **Çalışma alanını temiz tutun ve yeterli aydınlatma sağlayın.** Karışık veya karanlık alanlar kazalara yol açar.
- b) **Elektrikli aletleri yanıcı sıvı, gaz veya toz içeren patlayıcı ortamlarda çalıştırmayın.** Elektrikli aletlerden çıkan kıvılcıklar toz veya gazları tutuşturabilir.
- c) **Bir elektrikli aleti kullanırken çocukların ve etraftaki kişilerin aletten uzakta olduğundan emin olun.** Dikkatinizin dağılması kontrolü kaybetmenize neden olabilir.

2) ELEKTRİK GÜVENLİĞİ

- a) **Elektrikli aletin fişi prize uygun olmalıdır.** Fiş üzerinde asla değişiklik yapmayın. Topraklı (topraklamalı) elektrikli aletler için herhangi bir adaptör fişi kullanmayın. Üzerinde değişiklik yapılmamış fişler ve uygun prizler elektrik çarpması riskini azaltır.

- b) **Boru, radyatör, fırın ocak ve buzdolabı gibi topraklanmış yüzeylerle temastan kaçının.** Topraklanmış yerlerle temas etmeniz halinde elektrik çarpması riski artar.
- c) **Elektrikli aletleri yağmura veya ıslak ortamlara maruz bırakmayın.** Elektrikli alet içine giren su, elektrik çarpması riskini artırır.
- d) **Kabloyu hatalı kullanmayın.** Kabloyu elektrikli aleti taşımak, çekmek veya prizden çıkarmak için kullanmayın. Kabloyu sıcağın, yağdan, keskin kenarlardan veya hareketli parçalardan uzak tutun. Hasarlı veya birbirine dolaşmış kablolar elektrik çarpması riskini artırır.
- e) **Bir elektrikli aleti açık havada kullanırken, uygun bir dış mekan uzatma kablosu kullanın.** Dış mekan için uygun bir kablolu kullanılması elektrik çarpması riskini azaltır.
- f) **Elektrikli aletin nemli bir yerde çalıştırılması gerekiyse kaçak akım rölesi (RCD) korumalı bir kaynak kullanın.** RCD (kaçak akım rölesi) kullanımı elektrik çarpması riskini azaltır.
- 3) **KİŞİSEL GÜVENLİK**
 - a) **Elektrikli aletleri kullanırken daima dikkatli olun, yaptığınız işe yoğunlaşın ve sağduyulu davranın.** Elektrikli aleti yorgunken ya da uyuşturucu, alkol ya da ilaç etkisi altındayken kullanmayın. Elektrikli aletleri kullanırken bir anlık dikkatsizlik ciddi yaralanmalara yol açabilir.
 - b) **Kişisel koruyucu ekipman kullanın. Daima koruyucu gözlük takın.** Koşullara uygun toz maskesi, kaymaz emniyet ayakkabıları, kask veya işitme koruması gibi koruyucu ekipman kullanılması yaralanmaları azaltır.
 - c) **Yanlışlıkla çalıştırmaktan kaçının. Aletin güç kaynağı ve/veya batarya ile bağlantısını yapmadan, kaldırmadan veya taşımadan önce açma/kapatma düğmesinin kapalı olduğundan emin olun.** Aleti, parmağınızı açma/kapatma düğmesinin üzerinden geçen taşımak veya alet açıkken fişi prize takmak kazalara davetiye çıkarır.
 - d) **Elektrikli alete takılı herhangi bir alyan veya anahtar varsa aleti çalıştırmadan önce bunları çıkarın.** Elektrikli aletin döner parçalarına takılı bir alyan veya anahtar yaralanmalara neden olabilir.
 - e) **Dengesiz bir duruşla çalışma yapmayın. Çalışma süresince ayaklarınızı sağlam basın ve dengeyi koruyun.** Bu sayede beklenmedik durumlarda elektrikli alet daha iyi kontrol edilebilir.
 - f) **Uygun bir şekilde giyinin. Bol giysiler giymeyin veya takı takmayın. Saçlarınızı ve elbiselerinizi hareketli parçalardan uzak tutun.** Bol giysiler, takılar veya uzun saçlar hareketli parçalara takılabilir.
 - g) **Toz emme ve toplama araçlarının bağlantısı için sağlanan cihazlar varsa bunların takılı olduğundan ve düzgün bir biçimde kullanıldığından emin olun.** Toz toplama araçlarının kullanımı tozdan kaynaklanabilecek tehlikeleri azaltabilir.
 - h) **Aletleri sık kullanarak edindiğiniz alışkanlık rahat olmanıza ve aletin güvenlik ilkelerini göz ardı etmenize neden olmamalıdır.** Dikkatsiz bir hareket, bir saniyeden daha kısa bir sürede ağır yaralanmalara neden olabilir.
- 4) **ELEKTRİKLİ ALET KULLANIMI VE BAKIMI**
 - a) **Elektrikli aleti zorlamayın. Yaptığınız işe uygun**

elektrikli aleti kullanın. Doğru elektrikli alet, tasarımına uygun değerlerde kullanıldığında daha iyi ve daha güvenli çalışır.

- b) Açma/kapatma düğmesi çalışmıyorsa elektrikli aleti kullanmayın.** Açma/kapatma düğmesi ile kontrol edilemeyen bir elektrikli alet tehlikelidir ve onarılması gerektirir.
- c) Herhangi bir ayar işlemi, aksesuar değişimi veya elektrikli aletlerin saklanması öncesinde fişi prizden çekin ve/veya eğer çıkarılabiliyorsa bataryayı elektrikli aletten çıkarın.** Bu tür önleyici güvenlik önlemleri, elektrikli aletin yanlışlıkla çalışması riskini azaltır.
- d) Kullanılmayan elektrikli aletleri çocukların erişemeyeceği yerlerde saklayın ve elektrikli alet veya bu talimatlar hakkında bilgi sahibi olmayan kişilerin elektrikli aleti kullanmasına izin vermeyin.** Elektrikli aletler eğitimsiz kullanıcıların elinde tehlikelidir.
- e) Elektrikli aletlere ve aksesuarlara bakım yapın.** Hareketli parçaların hizalanmasını veya bağlanmasının doğru yapıp yapılmadığını, parçalarda hasar olup olmadığını ve elektrikli aletin çalışmasını etkileyebilecek tüm diğer koşulları kontrol edin. Elektrikli alet hasarlı ise kullanmadan önce onarılmasını sağlayın. Kazaların çoğu, elektrikli alet bakımının yeterli şekilde yapılmamasından kaynaklanır.
- f) Kesici aletleri keskin ve temiz tutun.** Keskin kesim kenarlarına sahip, bakımı düzgün yapılmış kesim aletleri daha az sorun çıkarır ve kontrolü kolaydır.
- g) Elektrikli aleti, aksesuarlarını ve alet uçlarını vb. çalışma şartlarını ve yapılacak işi dikkate alarak bu talimatlara uygun şekilde kullanın.** Elektrikli aletin kullanım amacı dışındaki işlerde kullanılması tehlikeli durumlara neden olabilir.
- h) Tutma saplarını ve kavrama yüzeylerini kuru, temiz, benzin ve yağdan uzak tutun.** Kaygan saplar ve kavrama yüzeyleri, aletin beklenmeyen durumlarda güvenli bir şekilde tutulmasına ve kontrol edilmesine izin vermez.
- 5) BATERYA İLE ÇALIŞAN ALETLERİNİN KULLANIMI VE BAKIMI**
- a) Sadece üretici tarafından belirtilen şarj cihazı ile şarj edin.** Bir batarya türü için uygun olan şarj cihazı, başka bir batarya ile kullanıldığında yangın riski oluşturabilir.
- b) Elektrikli aletleri sadece özel olarak üretilmiş bataryalarla kullanın.** Başka batarya türlerinin kullanımı yaralanma ve yangın tehlikesi oluşturabilir.
- c) Bataryanın kullanımda olmadığı durumlarda bataryayı ataş, bozuk para, anahtar, çivi, vida veya batarya kutupları arasında kısa devre yapabilecek diğer metal nesnelere uzak tutun.** Batarya kutuplarının kısa devre yapılması yangın veya yanıklara neden olabilir.
- d) Kötü şartlar altında bataryadan sıvı akışı olabilir; bu sıvı ile temas etmekten kaçının. Yanlışlıkla temas edilirse etkilenen bölgeyi su ile yıkayın. Sıvı göze temas ederse ayrıca tıbbi yardım alın.** Bataryadan akan sıvı tahriş veya yanıklara neden olabilir.
- e) Hasarlı veya üzerinde değişiklik yapılmış bir bataryayı veya aleti kullanmayın.** Hasarlı veya üzerinde değişiklik yapılmış bataryalar yangın, patlama veya yaralanma riskine neden olacak şekilde

beklenmeyen davranışlar gösterebilir.

- f) Bataryayı veya aleti ateşe veya aşırı sıcaklıklara maruz bırakmayın.** Ateşe veya 130 °C'nin üzerindeki sıcaklıklara maruz kalması patlamaya neden olabilir.
- g) Tüm şarj talimatlarına uyun ve bataryayı veya aleti talimatlarda belirtilen sıcaklık aralığının dışındaki sıcaklıklarda şarj etmeyin.** Hatalı veya belirtilen sıcaklık aralığının dışındaki sıcaklıklarda şarj etmek, bataryaya zarar verebilir ve yangın riskini artırır.
- 6) SERVİS**
- a) Elektrikli aletinizin bakımını, sadece orijinal yedek parça kullanarak yetkili bir tamirciye yaptırın.** Bu sayede elektrikli aletin emniyetinin korunmasını sağlanır.
- b) Asla hasarlı bataryalara bakım-onarım yapmayın.** Bataryaların bakımı sadece üretici veya yetkili servisler tarafından yapılmalıdır.

KABLOSUZ DEKUPAJ TESTERELERİ İÇİN GÜVENLİK TALİMATLARI

- **Başlığın gizli kablo tesisatına temas edebileceği bir işlem yaparken elektrikli aleti izolasyonlu tutamaklardan tutun** ("akım taşıyan" bir tele temas eden başlık, aletin metal parçalarına da "akım geçmesine" ve operatöre elektrik çarpmasına neden olabilir)
- **İş parçasını sabitlemek ve desteklemek için mengene veya başka bir pratik yöntem kullanın** (iş parçasını elde tutmak veya vücuda dayamak sabit olmamasına ve kontrol kaybına neden olabilir)

GENEL

- **Bu aletle asbest içeren malzemeleri işleme yapmayın** (asbest kanserojen bir madde kabul edilir)
- Bu alet 16 yaşın altındaki kişiler tarafından kullanılmamalıdır
- Cihaz çalışırken gürültü seviyesi 85 dB(A) desibele kadar çıkabilir; kulak koruyucu kullanın
- Parçacıklar çıkartan maddeler ile uğraşırken koruyucu gözlük takın
- Kurşun içeren boya, bazı ahşap türleri, mineral ve metal gibi malzemelerden çıkan toz zararlı olabilir (tozla temasta bulunulması veya solunması operatörde veya yakında bulunan kişilerde alerjik reaksiyonlara ve/veya solunum yolu hastalıklarına neden olabilir); **toz maskesi takın ve bağlanabiliyorsa bir toz çekme cihazıyla çalışın**
- Bazı toz tipleri (örneğin meşe ve kayın ağacı tozu), özellikle ahşap yenileme katı maddeleriyle birlikte kanserojenik olarak sınıflandırılır; **toz maskesi takın ve bağlanabiliyorsa bir toz çekme cihazıyla çalışın**
- Çalışmak istediğiniz malzemeler için tozla ilgili ulusal gereksinimleri takip edin
- Herhangi bir ayarlama yapmadan ve aksesuarları değiştirmeden önce bataryayı aletten çıkarın

KULLANMADAN ÖNCE

- Kesme işlemine başlamadan önce, kesme hattı altındaki ve üstündeki bütün engelleri uzaklaştırın
- İş parçasının vida, çivi ve benzeri malzeme tarafından hasar görmemesi için dikkatli olun; çalışmaya başlamadan önce bunları çıkarın

KULLANIM SIRASINDA

- Alet açıkken ellerinizi testereden uzak tutun

AKSESUARLAR

- SKIL sadece orijinal aksesuarlar kullanıldığında aletin düzgün çalışmasını garanti eder
- Çatlamış, eskimiş ve kör bıçakları kullanmayın

KULLANIMDAN SONRA

- Aletinizi bırakıp gitmeden önce mutlaka kapatın ve döner parçaların tam olarak durmasını bekleyin

BATARYALAR

- **Ürünle birlikte verilen batarya kısmen şarj edilmiştir** (bataryanın tam kapasiteyle çalışmasını sağlamak için elektrikli aletinizi ilk kez kullanmadan önce bataryayı batarya şarj cihazında tamamen şarj edin)
- **Bu aletle sadece aşağıdaki bataryaları ve şarj cihazlarını kullanın**
 - SKIL batarya: BR1*31****
 - SKIL şarj cihazı: CR1*31****
- Hasarlı bataryaları kullanmayın ve hemen yenileyin
- Bataryayı parçalarına ayırmayın
- Aleti/bataryayı yağmura maruz bırakmayın
- İzin verilen ortam sıcaklığı (alet/şarj cihazı/batarya):
 - şarj olurken 4 ile 40 °C arasında
 - çalışırken -20 ile +50 °C arasında
 - depolanırken -20 ile +50 °C arasında

ALET/BATARYA ÜZERİNDEKİ SİMGELERİN AÇIKLAMASI

- ③ Kullanmadan önce kullanım kılavuzunu okuyun
- ④ Ateşe atılan bataryalar patlayabilir, bu yüzden hiçbir nedenle bir bataryayı yakmayın
- ⑤ Aleti, şarj cihazını ve bataryayı sıcaklığın 50 °C'yi aşmadığı yerlerde depolayın
- ⑥ Elektrikli aletleri ve bataryaları evsel atık malzemelerle birlikte çöpe atmayın

KULLANIM

- Bataryanın şarj edilmesi
! şarj cihazı ile birlikte verilen güvenlik uyarıları ve talimatlarını okuyun
- Bataryanın çıkarılması/takılması ②
- Batarya seviyesi göstergesi ⑦
 - mevcut batarya seviyesini (⑦a) görmek için batarya seviyesi göstergesi düğmesine (H) basın
 - ! düğmeye (H) bastıktan sonra batarya göstergesinin en alt seviyesi (⑦b) yanıp sönmeye başladığında batarya boşalmıştır**
 - ! düğmeye (H) bastıktan sonra batarya göstergesinin 2 seviyesi (⑦c) yanıp sönmeye başladığında batarya izin verilen çalışma sıcaklığı aralığında değildir**
- LED ışık ⑭
 - Açma/kapama düğmesi etkinleştirildiğinde LED ışık (B) otomatik olarak yanar.
 - ! LED çalışma ışığı yanıp sönmeye başladığında batarya koruması devreye girer (aşağıya bakın)**
- Batarya koruması
Aşağıdaki durumlarda alet aniden kapanır veya tekrar çalıştırılmaz
 - **yük çok fazla olduğunda** -> yükü kaldırın ve yeniden çalıştırın
 - **batarya sıcaklığı, -20 ile +50 °C arasındaki izin verilen çalışma sıcaklığı aralığında olmadığından** -> H düğmesine bastığınızda batarya seviyesi göstergesinin 2 seviyesi (⑦c) yanıp sönmeye başlar; batarya sıcaklığı izin verilen çalışma sıcaklığı aralığında dönene kadar bekleyin
 - **batarya bitmeye yakinken (aşırı boşalmaya karşı korumak için)** -> H düğmesine bastığınızda batarya seviyesi göstergesi tarafından düşük batarya seviyesi veya yanıp sönen düşük batarya seviyesi (⑦b)

gösterilir

! alet otomatik olarak kapandıktan sonra açma/kapatma düğmesine basmayın; batarya hasar görebilir

- Açma/kapatma ⑧
 - aleti, açma/kapatma düğmesini (A) "I/O" konumuna getirerek açıp kapatın
 - Hız kontrolü ⑨
 - tekerlek (F) kullanılarak istenilen kesme hızı seçilebilir
 - İdeal çalışma hızı malzemeye bağlı olup, pratik deneylerle belirlenebilir
 - Tekerlek (F), "A" konumuna ayarlandığında kontrollü başlatma için yük hızı azaltılır
 - kesim yaparken, hız otomatik olarak tam hıza artar
 - ! alet yalnızca yeniden başlatıldıktan sonra azaltılmış yüksüz hıza geri döner**
 - Testere bıçağını değiştirme ⑩
 - ! herhangi bir ayarlama yapmadan ve aksesuarları değiştirmeden önce bataryayı aletten çıkarın**
 - ! testere bıçağını testere dişleri öne doğru gelecek biçimde en derin konumda takın ⑪**
 - alet yaygın olarak kullanılan T-shank bıçakları ile kullanılabilir ⑩
 - bıçağı çıkarmak için sadece bıçak kelepçesinin (C) kolunu çalıştırın (bıçağa dokunmanıza gerek yok)
 - 45° ile kesme ⑫
 - Kesim modunun seçme ⑬
 - Doğru kesimden (=0) hızlı kesime (=3) yörünge hareketini ayarlamak için ayar kolunu (D) kullanın
 - 1 pozisyon ("0") kademe bütün malzeme hassas kesim ve düz + biçimli kesimler için
 - 3 pozisyon değişik kademe malzemelerin kendi özelliklerine hızlı ve sadece düz kesme için
 - 1 = alüminyum, plastik
 - 2 = sert ahşap
 - 3 = yumuşak ahşap
 - ! hassas malzemeleri keserken her zaman "0" seçin**
 - Toz emme ⑮
 - elektrikli süpürge adaptörünü (J) ayak plakasına bağlayın
 - elektrikli süpürge hortumunu süpürge adaptörüne (J) bağlayın
 - ! metalleri keserken süpürgeyi kullanmayın**
 - Aletin çalıştırılması
 - cihazı çalıştırmadan önce, testere tabanının ön ucunun çalıştığı yüzey üzerinde yatay olarak durmasına dikkat ediniz
 - cihaz üzerinde her an kontrol sahibi olmak için, iki elinizle sıkıca tutunuz
 - ! çalışırken aleti her zaman gri renkli tutma yerlerinden tutun ⑯**
 - testere tabanının tümüyle çalıştığı malzeme üzerinde olmasına dikkat edin
 - ! aleti iş parçasından çıkarmadan önce testere bıçağının tamamen durmasını bekleyin**
 - havalandırma deliklerini (G ⑰) açık tutun
- ## UYGULAMA ÖNERİLERİ
- Uygun testere uçları kullanın ⑰
 - ! alet yaygın olarak kullanılan T-shank bıçakları ile kullanılabilir**
 - Metalleri keserken testere ucunu yağı ile düzenli olarak yağlayın

- Kesim yapmadan önce bir delik açın ⑩
- Ayrılmasız kesme
 - kesme işleminden önce kesme noktasını birkaç kat kalın bant ile kaplayın
 - malzemenin iyi yüzü daima aşağıya bakmalıdır
- Daha fazla bilgi için www.skil.com adresine bakın

BAKIM / SERVİS

- Bu alet profesyonel kullanıma yönelik değildir
- Aleti her zaman temiz tutun (özellikle havalandırma deliklerini (G ②))
- ! **temizlikten önce bataryayı aletten çıkarın**
- Dikkatli biçimde yürütülen üretim ve test prosedürlerine rağmen alet arızalanırsa onarım işlemleri SKIL elektrikli aletlerine yönelik bir satış sonrası servis merkezinde yapılmalıdır
 - aleti **parçalarına ayrılmamış** olarak satın alma belgesiyle birlikte satıcınıza veya en yakın SKIL servisine gönderin (servis adresleri ve aletin servis çizelgesi www.skil.com adresinde listelenmiştir)
 - Aşırı yüklenme ve yanlış kullanımın aleti garanti kapsamından çıkaracağını unutmayın (SKIL garanti koşulları için www.skil.com adresine bakın veya satıcınıza başvurun)

ÇEVRE

- Elektrikli aletleri, bataryaları, aksesuarları ve ambalaj malzemelerini evsel atıklarla birlikte çöpe atmayın (sadece AB ülkeleri için)
 - atık elektrikli ve elektronik eşyalarla ilgili 2012/19/EC sayılı Avrupa Birliği Direktifi ve bu direktifin uyarlandığı ulusal yasalar gereğince kullanım ömrünün sonuna ulaşan elektrikli aletler ayrı olarak toplanmalı ve çevreye uyumlu bir geri dönüşüm tesisine gönderilmelidir
 - ⑥ sembolü, bertaraf etme ihtiyacı meydana geldiğinde size bunu hatırlatması içindir
- ! **bataryayı atmadan önce kısa devre oluşmasını önlemek için batarya kutuplarını kalın bantla sarın**

GÜRÜLTÜ / TİTREŞİM

- EN62841 standardına uygun olarak yapılan ölçümlere göre bu aletin ses basıncı seviyesi: 87 dB(A), ses gücü seviyesi 98 dB(A) (belirsizlik K = 3 dB) ve titreşim* (triaks vektör toplamı; belirsizlik K = 1,5 m/sn.²)
 - * tahta kesimi 7,68 m/sn.²
 - * levha metal kesimi 6,08 m/sn.²
- Titreşim emisyonu seviyesi EN 62841 standardında belirtilen standart teste göre ölçülmüştür; bu seviye, bir aleti bir başkasıyla karşılaştırmak amacıyla ve aletin söz konusu uygulamalarda kullanılması sırasında titreşime maruz kalma derecesinin ön değerlendirmesi olarak kullanılabilir
 - aletin farklı uygulamalar için veya farklı ya da bakımı yetersiz yapılmış aksesuarlarla kullanılması, maruz kalma seviyesini belirgin biçimde **arttırabilir**
 - aletin kapalı olduğu veya çalıştığı ancak gerçek anlamda iş yapmadığı zamanlarda, maruz kalma seviyesi belirgin biçimde **azalabilir**
- ! **aletin ve aksesuarlarının bakımını yaparak, ellerinizi sıcak tutarak ve çalışma şeklinizi organize ederek kendinizi titreşimin etkilerinden koruyun**

PL

Kompaktowa wyrzynarka bezszcotkowa

3440

WSTĘP

- Narzędzie jest przeznaczone do cięcia i wycinania w drewnie, tworzywach i metalu; nadaje się do wykonywania cięć prostego i zakrzywionych o kącie nachylenia do 45°
- Narzędzie nie jest przeznaczone do zastosowań profesjonalnych
- Jeżeli któreś części brakuje lub jeżeli jakaś część jest uszkodzona, należy skontaktować się z dystrybutorem
- **Przed rozpoczęciem użytkowania prosimy dokładnie przeczytać niniejszą instrukcję. Instrukcję tę należy zachować na przyszłość ③**
- **Szczególną uwagę należy zwrócić na instrukcje i ostrzeżenia dotyczące bezpieczeństwa; zlekceważenie ich może doprowadzić do ciężkich urazów**

DANE TECHNICZNE ①

ELEMENTY NARZĘDZIA ②

- A Włacznik
- B Lampka LED
- C Beznarzędziowy zacisk na ostrze
- D Dźwignia sterowania wychyleniem ostrza
- E Stopa
- F Pokrętło do regulacji prędkości cięcia
- G Szczeliny wentylacyjne
- H Przycisk wskaźnika poziomu naładowania akumulatora
- J Adapter do odkurzacza
- K Klucz imbusowy

BEZPIECZEŃSTWO

OGÓLNE OSTRZEŻENIA DOTYCZĄCE BEZPIECZEŃSTWA UŻYWANIA ELEKTRONARZĘDZI

⚠ OSTRZEŻENIE Prosimy przeczytać wszystkie ostrzeżenia i instrukcje oraz przestudiować specyfikację i ilustracje dostarczone wraz z elektronarzędziem. Niestosowanie się do wszystkich podanych niżej instrukcji może doprowadzić do porażenia prądem, pożaru i/lub poważnych obrażeń.

Wszystkie ostrzeżenia i instrukcje należy zachować na przyszłość.

Termin „elektronarzędzie” występujący w ostrzeżeniach dotyczy narzędzia elektrycznego o zasilaniu sieciowym (przewodowego) lub akumulatorowym (bezprowodowego).

1) BEZPIECZEŃSTWO W MIEJSCU PRACY

- a) **Należy dbać o czystość i dobre oświetlenie w miejscu pracy.** Bałagan i złe oświetlenie sprzyjają wypadkom.
- b) **Nie należy używać elektronarzędzi w miejscach zagrożonych wybuchem, np. w obecności**

łatwopalnych cieczy, gazów lub pyłu.

Elektronarzędzia wytwarzają iskry, które mogą zapalić opary lub pył.

- c) **W czasie pracy elektronarzędzie należy trzymać z dala od dzieci i osób postronnych.** Chwila nieuwagi może spowodować utratę kontroli nad urządzeniem.
- 2) **BEZPIECZENSTWO ELEKTRYCZNE**
 - a) **Wtyczki elektronarzędzi muszą pasować do gniazdek. Nigdy w jakikolwiek sposób nie wolno przerabiać wtyczki. Do elektronarzędzi wymagających uziemienia nie należy używać przejściówek.** Oryginalne wtyczki i pasujące do nich gniazdka zmniejszają ryzyko porażenia prądem.
 - b) **Należy unikać dotykania ciałem powierzchni uziemionych, takich jak np. rury, kaloryfery, kuchenki i lodówki.** Uziemienie ciała zwiększa ryzyko porażenia prądem.
 - c) **Elektronarzędzia należy chronić przed deszczem i wilgocią.** Woda dostająca się do wnętrza elektronarzędzia zwiększa ryzyko porażenia prądem.
 - d) **Nie należy nadwyrażać przewodu. Nigdy nie należy używać przewodu do noszenia lub ciągnięcia elektronarzędzia; nie należy chwycić za przewód, aby wyjąć wtyczkę z kontaktu. Przewód należy chronić przed gorącym, ropą, olejem, ostrymi krawędziami i poruszającymi się częściami.** Zaplątane lub uszkodzone przewody zwiększają ryzyko porażenia prądem.
 - e) **Podczas używania elektronarzędzia na dworze należy stosować przedłużacz nadający się do używania na dworze.** Używanie przewodu przeznaczonego do stosowania na dworze zmniejsza ryzyko porażenia prądem.
 - f) **Jeżeli użycie elektronarzędzia w miejscu o dużej wilgotności jest nieuniknione, należy stosować zasilanie zabezpieczone wyłącznikiem różnicowoprądowym.** Używanie wyłącznika różnicowoprądowego zmniejsza ryzyko porażenia prądem.
- 3) **BEZPIECZENSTWO OSOBISTE**
 - a) **Podczas pracy narzędziem należy zachowywać czujność, patrzeć, co się robi i kierować się zdrowym rozsądkiem. Nie należy używać elektronarzędzia, gdy użytkownik jest zmęczony, albo pod wpływem narkotyków, alkoholu lub leków.** Chwila nieuwagi w czasie posługiwania się elektronarzędziami może spowodować poważne obrażenia.
 - b) **Należy używać środków ochrony osobistej. Należy zawsze nosić okulary ochronne. Stosowanie w odpowiednich warunkach sprzętu ochronnego takiego jak np. maska przeciwpyłowa, obuwie ochronne z podszewkami antypoślizgowymi, kask lub ochronniki słuchu zmniejszy ewentualne obrażenia.**
 - c) **Nie należy dopuszczać do przypadkowego włączenia. Należy pilnować, aby przed podłączeniem narzędzia do zasilania i/lub baterii akumulatorowej oraz przed podniesieniem i przenoszeniem przełącznik był ustawiony w pozycji „wyłączone”.** Trzymanie palca na przełączniku włączającym w czasie przenoszenia elektronarzędzi lub podłączanie ich do zasilania, gdy przełącznik ustawiony jest w pozycji „włączone”, może doprowadzić do

wypadku.

- d) **Przed włączeniem elektronarzędzia należy usunąć wszystkie klucze regulacyjne i inne narzędzia.** Klucz zaczepiony o obracającą się część elektronarzędzia może spowodować obrażenia.
- e) **Nie należy sięgać za daleko. Należy zawsze dbać o utrzymanie równowagi i pewne podparcie nóg.** W nieprzewidzianych sytuacjach zapewnia to lepszą kontrolę nad elektronarzędziem.
- f) **Należy nosić odpowiednią odzież. Nie powinno się nosić luźnych ubrań ani biżuterii.** Włosy i odzież należy trzymać w bezpiecznej odległości od poruszających się części. Luźne ubrania, biżuteria lub długie włosy mogą zaczepić się o poruszające się części.
- g) **Jeżeli urządzenie jest przystosowane do podłączania do odsysacza pyłu i urządzenia zbierającego, należy dopilnować, aby systemy te były podłączone i właściwie stosowane.** Używanie systemów służących do pochłaniania pyłu może zmniejszyć zagrożenia związane z pyłem.
- h) **Nie wolno dopuścić do tego, aby poczucie znajomości narzędzia wynikające z jego częstego używania doprowadziło do lekceważenia i ignorowania zasad bezpieczeństwa.** Jedno lekkomyślne działanie może w ułamku sekundy doprowadzić do ciężkich urazów.
- 4) **UŻYWANIE I KONSERWOWANIE ELEKTRONARZĘDZI**
 - a) **Elektronarzędzia nie należy forsować. Należy używać narzędzia dostosowanego do wykonywanej pracy.** Odpowiednie narzędzie elektryczne wykona pracę lepiej i bezpieczniej, gdy pozwoli mu się pracować z prędkością/obrotami do jakich zostało zaprojektowane.
 - b) **Nie należy używać elektronarzędzia, jeżeli przełącznik zasilania nie włącza go lub nie wyłącza.** Elektronarzędzie, którego nie da się kontrolować przełącznikiem, jest potencjalnie niebezpieczne i wymaga naprawy.
 - c) **Przed przystąpieniem do regulacji elektronarzędzia oraz przed wymianą akcesoriów lub odłożeniem narzędzia na miejsce, należy odłączyć je od zasilania i/lub wyjąć akumulator.** Tego typu zapobiegawcze środki ostrożności zmniejszają ryzyko przypadkowego włączenia się elektronarzędzia.
 - d) **Nieużywane elektronarzędzia należy przechowywać w miejscu niedostępnym dla dzieci. Osobom, które nie znają narzędzia lub nie zapoznały się z instrukcją nie należy pozwalać go używać.** W rękach nieprzeszkolonych użytkowników elektronarzędzia mogą stanowić zagrożenie.
 - e) **Elektronarzędzia i akcesoria należy utrzymywać w dobrym stanie. Należy kontrolować, czy części ruchome nie są odchyłone od osi, nie zacinają się i nie są pęknięte lub uszkodzone w inny sposób, który mógłby wpłynąć na działanie elektronarzędzia.** W razie uszkodzenia, przed użyciem narzędzie należy oddać do naprawy. Wiele wypadków wynika ze złej konserwacji elektronarzędzi.
 - f) **Należy dbać o czystość i naostrzenie narzędzi tnących.** Odpowiednio utrzymane narzędzia tnące z ostrymi krawędziami tnącymi są mniej narażone na zakleszczanie się i łatwiej jest je kontrolować.
 - g) **Elektronarzędzi, akcesoriów, wiertła, bitów, itp.**

należy używać zgodnie z niniejszą instrukcją, z uwzględnieniem warunków i rodzaju wykonywanej pracy. Korzystanie z elektronarzędzi niezgodnie z przeznaczeniem może prowadzić do niebezpiecznych sytuacji.

- h) **Należy dbać o to, aby uchwyty i powierzchnie do trzymania były suche, czyste i niezaplamione olejem lub smarem.** Śliskie uchwyty nie pozwalają w bezpieczny sposób kontrolować narzędzia w nieprzewidywanych sytuacjach.
- 5) **UŻYWANIE I KONSERWOWANIE NARZĘDZI AKUMULATOROWYCH**
- a) **Do ładowania należy używać wyłącznie ładowarki wskazanej przez producenta.** Użycie ładowarki pochodzącej od jednego akumulatora do ładowania innego akumulatora grozi pożarem.
- b) **Elektronarzędzia należy używać wyłącznie z dedykowanymi do nich akumulatorami.** Użycie jakichkolwiek innych akumulatorów grozi obrażeniami i pożarem.
- c) **Jeżeli akumulator nie jest używany, należy go przechowywać z dala od innych przedmiotów metalowych, np. spinaczy, monet, kluczy, gwoździ, śrub i innych drobnych przedmiotów metalowych, które mogłyby spowodować zwarcie wyprowadzeń akumulatora.** Zwarcie wyprowadzeń akumulatora może doprowadzić do oparzenia lub pożaru.
- d) **W niesprzyjających warunkach może dojść do wycieku cieczy z akumulatora. Należy wtedy unikać wszelkiego kontaktu z tą cieczą. W razie przypadkowego kontaktu ze skórą, zabrudzone miejsce należy obficie przemyć wodą. Jeżeli płyn dostanie się do oczu, należy dodatkowo zasięgnąć porady lekarza.** Płyn wyciekający z akumulatora może powodować podrażnienie lub oparzenia.
- e) **Nie należy używać akumulatorów lub narzędzi, które są uszkodzone lub zostały poddane przeróbkom.** Uszkodzone lub zmodyfikowane akumulatory mogą zachowywać się w sposób nieprzewidywalny, co może doprowadzić do pożaru lub wybuchu lub stwarzać ryzyko urazów.
- f) **Nie należy narażać akumulatora lub narzędzia na kontakt z ogniem lub zbyt wysokimi temperaturami.** Ogień lub temperatury przekraczające 130°C mogą doprowadzić do wybuchu.
- g) **Należy przestrzegać wszystkich instrukcji ładowania. Nie należy ładować akumulatora lub narzędzia poza przedziałem temperatur podanym w instrukcji.** Ładowanie w sposób nieprawidłowy lub w temperaturze wykraczającej poza określony zakres może doprowadzić do uszkodzenia akumulatora i zwiększa ryzyko pożaru.
- 6) **SERWISOWANIE**
- a) **Serwisowanie elektronarzędzia należy powierzać wykwalifikowanemu serwisantowi, a do naprawy używać wyłącznie części zamiennych identycznych z oryginalnymi.** Zapewni to bezpieczeństwo eksploatacji elektronarzędzia.
- b) **Uszkodzonych akumulatorów nie należy nigdy naprawiać.** Jakikolwiek czynności serwisowe przy akumulatorach powinny być wykonywane wyłącznie przez producenta lub pracowników autoryzowanego serwisu.

INSTRUKCJE BEZPIECZEŃSTWA DOTYCZĄCE WYRZYNAREK AKUMULATOROWYCH

- **Podczas wykonywania prac, w czasie których śruba mogłaby natrafić na ukryte przewody elektryczne, elektronarzędzie należy trzymać za izolowane powierzchnie uchwytów** (zestknięcie elementu połączeniowego z przewodem pod napięciem może spowodować, że niez izolowane części metalowe elektronarzędzia będą pod napięciem, co mogłoby doprowadzić do porażenia prądem elektrycznym)
- **Do zamocowania przecinanego elementu do stabilnej powierzchni lub podparcia go należy używać zacisków lub innych metod zabezpieczenia** (trzymanie elementu w ręku lub opieranie go o ciało może prowadzić do utraty kontroli)

KWESTIE OGÓLNE

- **Nie należy obrabiać materiału zawierającego azbest** (azbest jest rakotwórczy)
- Narzędzia nie powinny używać osoby w wieku poniżej 16 roku życia
- Poziom hałas podczas pracy może przekraczać 85 dB(A); do ochrony słuchu należy używać nasuszników
- Podczas pracy z materiałami wytwarzającymi wióry należy nosić okulary ochronne
- Pył pochodzący z takich materiałów, jak farby zawierające ołów, niektóre gatunki drzewa, minerały i metal może być szkodliwy (kontakt z nim lub wdychanie takiego pyłu może powodować reakcje alergiczne i/lub niewydolność oddechową u operatora lub osób towarzyszących); **należy zakładać maskę przeciwpyłową i pracować z urządzeniem odsysającym, o ile można je podłączyć**
- Niektóre rodzaje pyłu są sklasyfikowane jako rakotwórcze (takie, jak pył dębu i buka) szczególnie w połączeniu z dodatkami do impregnacji drewna; **należy zakładać maskę przeciwpyłową i pracować z urządzeniem odsysającym pył, o ile można je podłączyć**
- Należy stosować się do lokalnych wymogów dotyczących pracy w otoczeniu pyłu powstającego podczas obróbki materiału
- Przed dokonaniem jakiegokolwiek regulacji lub zmian akcesoriów należy wyjąć z narzędzia akumulator

PRZED UŻYCIEM

- Przed przystąpieniem do obróbki należy usunąć wszelkie przeszkody znajdujące się po obu stronach obrabianego przedmiotu wzdłuż linii cięcia
- Uwaga na gwoździe, śruby i inne twarde przedmioty; przed przystąpieniem do obróbki powinny zostać usunięte z obrabianego przedmiotu; należy je usunąć przed rozpoczęciem pracy

PODZAS UŻYWANIA

- **Nie należy zbliżać dłoni do pracującego ostrza narzędzia**
- ### AKCESORIA
- Firma SKIL może zagwarantować bezawaryjne działanie narzędzia tylko pod warunkiem korzystania z oryginalnych akcesoriów
 - Nie wolno używać pękniętego, odkształconego lub tępego brzeszczotu

PO UŻYCIU

- Przed odłożeniem narzędzia należy wyłączyć silnik i odczekać do całkowitego zatrzymania się wszystkich części

AKUMULATORY

- **Dostarczany akumulator jest częściowo naładowany**

(aby zapewnić pełne naładowanie akumulatora, przed użyciem elektronarzędzia po raz pierwszy akumulator należy całkowicie naładować ładowarką)

- **Do narzędzia należy stosować wyłącznie poniższe akumulatory i ładowarki**
 - Akumulator SKIL: BR1*31****
 - Ładowarka SKIL: CR1*31****
- Uszkodzony akumulator należy natychmiast wymienić, nie wolno go używać do pracy
- Zabrania się rozmontowywania akumulatora
- Elektronarzędzia/akumulatora nie należy narażać na działanie opadów atmosferycznych
- Dopuszczalna temperatura otoczenia (narzędzie/ładowarka/akumulator):
 - podczas ładowania 4...40°C
 - podczas pracy -20...+50°C
 - podczas przechowywania -20...+50°C

OBJAŚNIENIE SYMBOLI NA NARZĘDZIU/ AKUMULATORZE

- ③ Przed użyciem należy przeczytać instrukcję
- ④ Akumulatory w kontakcie z ogniem mogą eksplodować, więc nie wolno ich pod żadnym pozorem spalać
- ⑤ Narzędzie/ładowarkę/akumulator należy zawsze przechowywać w miejscach o temperaturze nie przekraczającej 50°C
- ⑥ Narzędzi elektrycznych oraz baterii/akumulatorów nie należy wyrzucać razem ze zwykłymi śmieciami z gospodarstw domowych

UŻYTKOWANIE

- Ładowanie akumulatora
 - ! **prosimy przeczytać ostrzeżenia dotyczące bezpieczeństwa oraz instrukcje dostarczone wraz z ładowarką**
- Wyjmowanie/zakładanie akumulatora ②
- Wskaźnik poziomu naładowania akumulatora ⑦
 - w celu wyświetlenia aktualnego poziomu naładowania ⑦a, należy nacisnąć przycisk wskaźnika poziomu naładowania akumulatora H
 - ! **gdy po wciśnięciu przycisku H ⑦b najniższy wskaźnik poziomu naładowania akumulatora zaczyna migać, wówczas oznacza to, że akumulator jest rozładowany**
 - ! **gdy po wciśnięciu przycisku H ⑦c zaczną migać 2 wskaźniki poziomu naładowania akumulatora, wówczas oznacza to, że temperatura akumulatora nie mieści się w dozwolonym przedziale pracy**
- Lampka LED ⑭
 - Po wciśnięciu włącznika, lampka LED B zapala się automatycznie.
 - ! **miganie lampki LED oznacza, że włączył się system ochrony akumulatora (patrz poniżej)**
- System ochrony akumulatora
 - Narzędzie nagle wyłącza się lub nie można go włączyć, gdy
 - **obciążenie jest zbyt duże** -> należy usunąć obciążenie i uruchomić narzędzie ponownie
 - **temperatura akumulatora jest poza dopuszczalnym zakresem wynoszącym od -20 do 50°C** --> po naciśnięciu przycisku H ⑦c zaczną migać 2 paski poziomu energii akumulatora na wskaźniku; należy poczekać, aż temperatura akumulatora powróci do dopuszczalnego zakresu pracy

- **akumulator jest prawie całkowicie rozładowany (zabezpieczenie przed głębokim rozładowaniem)**
-> naciśnięcie przycisku H powoduje wyświetlenie się na wskaźniku oznaczenia niskiego poziomu naładowania akumulatora lub miganie paska niskiego poziomu akumulatora ⑦b; należy naładować akumulator

! **po automatycznym wyłączeniu narzędzia nie należy naciskać włącznika („wł./wył.”), ponieważ może to spowodować uszkodzenie akumulatora**

- Włączanie/wyłączanie ⑧
 - włączenie/wyłączenie narzędzia następuje poprzez ustawienie przełącznika A w pozycji „I/O”
- Sterowanie prędkością ⑨
 - Pokrętle F można wybrać żądaną prędkość piłowania
 - Optymalna prędkość robocza zależy od materiału – należy ją ustalić metodą prób i błędów
 - Gdy pokrętko F jest ustawione w pozycji „A” prędkość bez obciążenia zostaje zmniejszona na potrzeby kontrolowanego rozruchu
 - podczas piłowania prędkość automatycznie zwiększa się do wartości maksymalnej
 - ! **narzędzie wraca do zmniejszonej prędkości bez obciążenia dopiero po ponownym włączeniu**
- Wymiana ostrza ⑩
 - ! **przed jakąkolwiek regulacją lub zmianą akcesoriów należy wyjąć z narzędzia akumulator**
 - ! **włóż ostrze na pełną głębokość zębami do przodu ⑪**
 - w narzędziu można używać większość ogólnie dostępnych brzeszczotów z uchwytem typu T ⑩
 - aby wysunąć ostrze, wystarczy tylko użyć dźwigni zacisku ostrza C (nie trzeba dotykać ostrza)
- Piłowanie pod kątem 45° ⑫
- Wybór trybu piłowania ⑬
 - Do regulacji ruchu wahliwego od cięcia dokładnego (= 0) do cięcia szybkiego (= 3), należy używać dźwigni D
 - 1 położenie („0”) do cięcia dokładnego we wszystkich materiałach, prosto- i krzywoliniowego
 - 3 położenia do cięcia szybkiego w różnych materiałach, wyłącznie w linii prostej
 - 1 = aluminium, plastik
 - 2 = twarde drewno
 - 3 = miękkie drewno
 - ! **do cięcia materiałów łupliwych należy zawsze wybierać ustawienie „0”**
- Odsysanie pyłu ⑮
 - podłączyć do stopy adapter do odkurzacza J
 - podłączyć wąż odkurzacza do adaptera do odkurzacza J
 - ! **nie należy używać odsysacza podczas cięcia metalu**
- Obsługa narzędzia
 - przed włączeniem narzędzia upewnić się, że stopa jest ułożona płasko na obrabianym materiale
 - trzymać narzędzie mocno obiema rękoma, tak aby przez cały czas nad nim panować
 - ! **podczas pracy należy zawsze trzymać narzędzie za uchwyt(y) w kolorze szarym ⑯**
 - zapewnić pewne dociśnięcie całej powierzchni stopy wyrzynarki do obrabianego przedmiotu
 - ! **przed podniesieniem narzędzia z obrabianego materiału należy się upewnić, że ostrze całkowicie się zatrzymało**

- szczeliny wentylacyjne G⁽²⁾ nie mogą być zasłonięte

WSKAZÓWKI DOTYCZĄCE UŻYTKOWANIA

- Należy używać właściwych brzeszczotów pił ⁽¹⁷⁾
! w narzędziu można używać większość ogólnie dostępnych brzeszczotów z uchwytem typu T
- Podczas cięcia metalu należy regularnie zwilżać olejem brzeszczot piły
- Przy wykonywaniu wycięć należy wywiercić wcześniej otwór ⁽¹⁸⁾
- Cięcie bez odłupywania krawędzi
 - przed piłowaniem linię cięcia należy zakleić kilkoma warstwami szerokiej taśmy klejącej
 - eksponowaną stronę piłowanego materiału należy zawsze układać do dołu
- Więcej informacji można znaleźć pod adresem www.skil.com

KONSERWACJA/SERWISOWANIE

- Narzędzie nie jest przeznaczone do zastosowań profesjonalnych
- Należy zawsze dbać o czystość narzędzia (a szczególnie szczelin wentylacyjnych G⁽²⁾)
! przed rozpoczęciem czyszczenia należy wyjąć z narzędzia akumulator
- Jeśli narzędzie, mimo dokładnej i wszechstronnej kontroli produkcyjnej ulegnie kiedykolwiek awarii, naprawę powinien przeprowadzić autoryzowany serwis elektronarzędzi firmy SKIL
 - **nierozabrane** narzędzie należy odesłać, wraz z dowodem zakupu, do swojego dystrybutora lub do najbliższego punktu serwisowego SKIL (adresy oraz diagram serwisowy narzędzia znajdują się na stronach www.skil.com)
 - Prosimy pamiętać, że uszkodzenia spowodowane przeciążeniem lub niewłaściwym użytkowaniem narzędzia nie podlegają gwarancji (warunki gwarancji SKIL znajdują się na www.skil.com lub pytać swojego dealera)

ŚRODOWISKO

- **Elektronarzędzi, akumulatorów, akcesoriów i opakowania nie należy wyrzucać razem z odpadami z gospodarstwa domowego** (dotyczy tylko państw UE)
 - zgodnie z Europejską Dyrektywą 2012/19/WE w sprawie zużytego sprzętu elektrotechnicznego i elektronicznego oraz dostosowaniem jej do prawa krajowego, zużyte elektronarzędzia należy posegregować i zutylizować w sposób przyjazny dla środowiska
 - w przypadku potrzeby pozbycia się narzędzia, akcesoriów i opakowania - przypomni Ci o tym symbol ⁽⁶⁾
- ! aby nie dopuścić do zwarcia, przed utylizacją należy zabezpieczyć wyprowadzenia akumulatora grubą taśmą**

HAŁAS / WIBRACJE

- Poziom ciśnienia akustycznego narzędzia zmierzony zgodnie z normą EN62841 wynosi 87 dB(A), poziom mocy akustycznej wynosi 98 dB(A) (niepewność

K = 3 dB), a drgania* (sumy wektorowe przyśpieszeń mierzone czujnikiem triax; niepewność K = 1,5 m/s²)

- * cięcie desek 7,68 m/s²
- * cięcie blachy 6,08 m/s²
- Poziom emisji drgań został zmierzony zgodnie z testem standaryzowanym podanym w EN62841; może on służyć do porównania jednego narzędzia z innym i jako ocena wstępna narażenia na wibracje w trakcie używania narzędzia do wymienionych zadań
 - używanie narzędzia do innych zastosowań, lub z innymi albo źle utrzymanymi akcesoriami, może znacząco **zwiększyć** poziom narażenia
 - przypadki, kiedy narzędzie jest wyłączone lub pracuje, ale aktualnie nie wykonuje zadania, mogą znacząco **zmniejszyć** poziom narażenia
- ! należy chronić się przed skutkami wibracji przez konserwację narzędzia i jego akcesoriów, dbanie o ciepło dłoni i właściwą organizację pracy**

RU

Бесщеточный компактный лобзик

3440

предусмотренных изготовителем для продукции, могут входить настоящее руководство по эксплуатации, а также приложения.

Информация о подтверждении соответствия содержится в приложении.

Срок службы изделия

Срок службы изделия составляет 7 лет. Не рекомендуется к эксплуатации по истечении 5 лет хранения с даты изготовления без предварительной проверки (дату изготовления см. на этикетке).

Перечень критических отказов и ошибочные действия персонала или пользователя

- не использовать с поврежденной рукояткой или поврежденным защитным кожухом
- не использовать при появлении дыма непосредственно из корпуса изделия
- не использовать с перебитым или оголенным электрическим кабелем
- не использовать на открытом пространстве во время дождя (в распыляемой воде)
- не включать при попадании воды в корпус
- не использовать при сильном искрении
- не использовать при появлении сильной вибрации

Критерии предельных состояний

- перетёрт или повреждён электрический кабель
- повреждён корпус изделия

Тип и периодичность технического обслуживания

Рекомендуется очистить инструмент от пыли после каждого использования.

Хранение

- необходимо хранить в сухом месте
- необходимо хранить вдали от источников повышенных температур и воздействия солнечных лучей
- при хранении необходимо избегать резкого перепада температур
- хранение без упаковки не допускается
- подробные требования к условиям хранения

смотрите в ГОСТ 15150 (Условие 1)

Транспортировка

- категорически не допускается падение и любые механические воздействия на упаковку при транспортировке
- при разгрузке/погрузке не допускается использование любого вида техники, работающей по принципу зажима упаковки
- подробные требования к условиям транспортировки смотрите в ГОСТ 15150 (Условие 5)

ВНИМАНИЕ!

В случае возникновения перебоя в работе электроинструмента вследствие полного или частичного прекращения энергоснабжения или повреждения цепи управления энергоснабжением установите выключатель в положение Выкл., убедившись, что он не заблокирован (при его наличии) и отключите сетевую вилку от розетки или отсоедините съёмный аккумулятор (этот предотвращается неконтролируемый повторный запуск)

ВВЕДЕНИЕ

- Этот инструмент предназначен для выполнения пропилов и прорезей в дереве, пластике и металле и подходит для прямых и криволинейных пропилов с углами наклона до 45°.
- Этот инструмент не предназначен для профессионального использования.
- Если какой-либо компонент отсутствует или поврежден, свяжитесь с поставщиком.
- **Перед использованием устройства внимательно ознакомьтесь с данной инструкцией и сохраните ее для последующего использования.** ③
- **Обратите особое внимание на инструкции по технике безопасности и предупреждения — их несоблюдение может привести к серьезным травмам.**

ТЕХНИЧЕСКИЕ ХАРАКТЕРИСТИКИ ①

СТРАНА ИЗГОТОВЛЕНИЯ

Сделано в Китае

КОМПОНЕНТЫ УСТРОЙСТВА ②

- A** Выключатель
- B** Светодиодная подсветка
- C** Зажим для замены режущего элемента без инструментов
- D** Регулятор орбитального хода
- E** Основание
- F** Колесико регулировки скорости
- G** Вентиляционные отверстия
- H** Кнопка индикатора уровня заряда аккумулятора
- J** Адаптер для пылесоса
- K** Шестигранный ключ

БЕЗОПАСНОСТЬ

ОБЩИЕ ПРАВИЛА ТЕХНИКИ БЕЗОПАСНОСТИ ПРИ

РАБОТЕ С ЭЛЕКТРОИНСТРУМЕНТАМИ

⚠ ПРЕДУПРЕЖДЕНИЕ. Прочитайте все правила безопасности, инструкции, иллюстрации и спецификации, прилагаемые к этому электроинструменту. Невыполнение изложенных ниже инструкций может привести к поражению электрическим током, пожару и (или) тяжелым травмам.

Сохраните все предупреждения и инструкции для использования в будущем.

Термин «электроинструмент» в предупреждениях означает электрический инструмент с питанием от сети (с кабелем) или электрический инструмент с питанием от аккумулятора (без кабеля).

1) БЕЗОПАСНОСТЬ РАБОЧЕГО МЕСТА

- a) Обеспечьте чистоту и освещенность рабочего места.** Загроможденные и плохо освещенные места служат причиной несчастных случаев.
- b) Не используйте электроинструменты во взрывоопасных местах, например вблизи горючих жидкостей, газов или пыли.** Электроинструменты генерируют искры, которые могут воспламенить пыль или испарения.
- c) Не позволяйте детям и посторонним находиться вблизи работающего электроинструмента.** Отвлекающие факторы могут привести к потере контроля.

2) ЭЛЕКТРОТЕХНИЧЕСКАЯ БЕЗОПАСНОСТЬ

- a) Вилка электроинструмента должна соответствовать розетке. Никогда не переделывайте вилку. Не используйте никакие переходники для вилок электроинструментов с заземлением.** Использование оригинальных вилок и соответствующих им розеток уменьшает риск поражения электрическим током.
- b) Избегайте прикосновений к заземленным объектам, таким как трубы, радиаторы, плиты и холодильники.** Риск поражения электрическим током выше, когда тело заземлено.
- c) Не подвергайте электроинструменты воздействию дождя или влаги.** При попадании воды в электроинструмент увеличивается риск поражения электрическим током.
- d) Обращайтесь с кабелем аккуратно. Никогда не переносите, не тяните и не выключайте электроинструмент за кабель. Держите кабель подальше от источников тепла, масла, острых предметов или движущихся частей.** Поврежденные или запутанные кабели повышают риск поражения электрическим током.
- e) Для работы с электроинструментом вне помещения используйте предназначенный для этого удлинительный кабель.** Использование кабеля, подходящего для использования вне помещения, снижает риск поражения электрическим током.
- f) Если использование электроинструмента в сыром помещении неизбежно, подключайте его через устройство защитного отключения (УЗО).** Использование УЗО снижает риск поражения

электрическим током.

3) ЛИЧНАЯ БЕЗОПАСНОСТЬ

- a) При использовании электроинструмента **будьте бдительны, следите за своими действиями и следуйте здравому смыслу. Не пользуйтесь электроинструментом, если вы устали или находитесь под воздействием наркотиков, алкоголя или медикаментов.** Даже кратковременная невнимательность при работе с электроинструментом может привести к тяжелым травмам.
 - b) **Используйте средства индивидуальной защиты. Всегда используйте защитные средства для глаз.** Использование защитного оборудования, такого как противопылевая маска, нескользкая предохранительная обувь, жесткая каска или устройства защиты органов слуха в соответствующих условиях уменьшает риск травмирования.
 - c) **Не допускайте непредвиденных запусков. Перед подключением инструмента к сети питания (или аккумулятору) и перед его переноской убедитесь, что выключатель находится в выключенном положении. Не держите палец на выключателе при переноске электроинструментов и не включайте вилку в розетку, если электроинструмент включен.** Это может привести к несчастному случаю.
 - d) **Перед включением электроинструмента снимите с него регулировочные инструменты и гаечные ключи.** Регулировочный инструмент или гаечный ключ, оставленный на вращающейся части электроинструмента, может стать причиной травмы.
 - e) **Не тянитесь. Всегда сохраняйте устойчивое положение и равновесие.** Это позволит лучше контролировать электроинструмент в непредвиденных ситуациях.
 - f) **Одевайтесь надлежащим образом. Не надевайте свободную одежду и украшения. Держите волосы и одежду подальше от движущихся частей.** Свободная одежда, украшения и длинные волосы могут попасть в движущиеся части.
 - g) **При наличии устройств для отвода и сбора пыли убедитесь, что они подключены и правильно работают.** Использование пылеулавливающих устройств снижает вред, причиняемый пылью.
 - h) **Не допускайте небрежности, которая может возникнуть из-за частого использования инструмента и повлечь за собой самоуверенность и игнорирование правил безопасности.** Неосторожное действие может причинить серьезную травму за доли секунды.
- ### 4) ИСПОЛЬЗОВАНИЕ И ОБСЛУЖИВАНИЕ ЭЛЕКТРОИНСТРУМЕНТА
- a) **Не прикладывайте к электроинструменту чрезмерных усилий. Используйте подходящий для ваших задач электроинструмент.** Правильно выбранный электроинструмент более эффективен и безопасен при номинальной нагрузке.
 - b) **Не используйте электроинструмент, если его выключатель неисправен.** Электроинструменты с неисправным выключателем опасны и подлежат ремонту.
 - c) **Перед регулировкой, сменой аксессуаров или**

хранением отключите электроинструмент от сети питания и/или взлекните аккумулятор, если это возможно. Такие меры предосторожности снижают риск случайного запуска электроинструмента.

- d) **Храните неиспользуемые электроинструменты в местах, недоступных для детей, и не доверяйте электроинструмент лицам, не знакомым с ним и с этими инструкциями.** Электроинструменты опасны в руках неподготовленных пользователей.
 - e) **Выполняйте техническое обслуживание электроинструментов и принадлежностей. Проверьте выравнивание и сцепление подвижных деталей, наличие поломок и прочие условия, которые могут повлиять на работу электроинструмента. Если электроинструмент поврежден, перед использованием его необходимо отремонтировать.** Недостаточный уход за электроинструментом является причиной многих несчастных случаев.
 - f) **Храните режущие инструменты в чистоте и заточенном состоянии.** Правильно обслуживаемые и хорошо заточенные режущие инструменты меньше заклинивают и лучше контролируются.
 - g) **Используйте электроинструмент, аксессуары, насадки и т. п. в соответствии с этими инструкциями, учитывая условия и специфику выполняемой работы.** Использование электроинструмента для выполнения непредусмотренных операций может привести к опасным ситуациям.
 - h) **Следите за тем, чтобы рукоятки и поверхности захвата были сухими и чистыми и на них не было масла или смазочного материала.** Скользкие рукоятки и поверхности захвата не позволяют безопасно использовать инструмент и контролировать его в непредвиденных ситуациях.
- ### 5) ЭКСПЛУАТАЦИЯ И ОБСЛУЖИВАНИЕ ИНСТРУМЕНТА С ПИТАНИЕМ ОТ АККУМУЛЯТОРА
- a) **Заряжайте аккумуляторы только с помощью зарядного устройства, указанного изготовителем.** Зарядное устройство, предназначенное для одного типа аккумуляторных батарей, может стать причиной пожара при использовании с другим типом батарей.
 - b) **Используйте электроинструмент только со специально предназначенными для него аккумуляторами.** Использование любого другого вида аккумуляторных батарей может стать причиной несчастных случаев или пожара.
 - c) **Когда аккумулятор не используется, храните его отдельно от металлических предметов — канцелярских скрепок, монет, ключей, гвоздей, винтов и др. — они могут соединить контакты.** Короткое замыкание контактов аккумуляторной батареи может стать причиной ожогов или пожара.
 - d) **При неблагоприятных обстоятельствах из аккумулятора может потечь электролит. Избегайте контакта с ним. При случайном контакте промойте водой. Если жидкость попала в глаза, обратитесь к врачу. Жидкость из аккумуляторной батареи может вызвать раздражение и ожоги.**

- e) **Не используйте аккумулятор и инструмент, если они повреждены или подвергались модификациям.** Поведение поврежденных или модифицированных аккумуляторов может быть непредсказуемым, что приведет к возгоранию, взрыву и риску получения травм.
- f) **Не подвергайте аккумуляторную батарею и инструмент воздействию огня и высокой температуры.** Воздействие огня или температуры выше 130 °C может привести к взрыву.
- g) **Следуйте всем инструкциям по зарядке и не заряжайте аккумулятор и инструмент при температуре, выходящей за пределы указанного диапазона.** Если зарядка выполняется неправильно или в условиях неподходящей температуры, это может привести к повреждению аккумулятора и возгоранию.
- 6) **РЕМОНТ**
 - a) **Ремонт электроинструмента должен выполняться квалифицированным специалистом с использованием только идентичных запасных частей.** Это обеспечит безопасную работу электроинструмента.
 - b) **Никогда не выполняйте обслуживание поврежденного аккумулятора.** Обслуживание аккумуляторов должно выполняться только производителем или в авторизованном сервисном центре.

ИНСТРУКЦИИ ПО ТЕХНИКЕ БЕЗОПАСНОСТИ ДЛЯ АККУМУЛЯТОРНЫХ ЛОБЗИКОВ

- Если при пользовании инструментом крепеж может задеть скрытую проводку, инструмент следует держать за изолированные поверхности (контакт крепежа с находящейся под напряжением проводкой может привести к подаче напряжения на металлические части инструмента и поражению оператора электрическим током).
- **Используйте зажимы и другие приспособления для фиксации заготовки на устойчивой платформе.** Если держать обрабатываемую деталь руками или прижимать к телу, это может привести к потере равновесия и контроля.

ОБЩИЕ ПОЛОЖЕНИЯ

- **Не обрабатывайте материалы, содержащие асбест.** Асбест считается канцерогенным веществом.
- Данный инструмент не должен использоваться лицами младше 16 лет.
- Уровень шума на рабочем месте может превышать 85 дБ (А). Используйте средства защиты органов слуха.
- При работе с материалами, образующими стружку, используйте защитные очки.
- Пыль от материалов, таких как краска с содержанием свинца, некоторые породы дерева, минералы и металлы, может быть вредна. Контакт с такой пылью или ее вдыхание может вызвать аллергические реакции и (или) болезнь органов дыхания у оператора или находящихся рядом лиц. **Необходимо надевать респиратор и по возможности использовать пылеулавливающее устройство.**
- Некоторые виды пыли классифицируются как

канцерогенные (например, дубовая и буковая пыль), особенно в сочетании с добавками для кондиционирования древесины. **Надевайте респиратор и по возможности используйте пылеулавливающие устройства.**

- При работе с различными материалами следуйте национальным нормативным требованиям в отношении пыли.
- Всегда извлекайте аккумулятор перед выполнением любых регулировок или сменой насадок.

ПЕРЕД ИСПОЛЬЗОВАНИЕМ

- Перед началом работы удалите все препятствия как сверху, так и снизу траектории резки.
- Остерегайтесь винтов, гвоздей и прочих предметов в заготовке, уберите их перед началом работы.

ВО ВРЕМЯ ИСПОЛЬЗОВАНИЯ

- При использовании инструмента держите руки на расстоянии от режущего элемента.

ПРИНАДЛЕЖНОСТИ

- Компания SKIL может гарантировать безупречную работу инструмента только при использовании оригинальных принадлежностей.
- Не используйте треснутый, деформированный или затупленный режущий элемент.

ПОСЛЕ ИСПОЛЬЗОВАНИЯ

- Прежде чем положить инструмент, выключите его и убедитесь, что все движущиеся части полностью остановились.

АККУМУЛЯТОРЫ

- **Аккумулятор поставляется частично заряженным.** Чтобы обеспечить полную емкость аккумулятора, перед первым использованием инструмента полностью зарядите аккумулятор с помощью зарядного устройства..
- **Используйте с этим инструментом только указанные далее аккумуляторы и зарядные устройства.**
 - Аккумулятор SKIL: BR1*31****
 - Зарядное устройство SKIL: CR1*31****
- Не используйте поврежденный аккумулятор, его необходимо немедленно заменить.
- Не разбирайте аккумулятор.
- Не оставляйте инструмент и аккумулятор под дождем.
- Допустимая температура окружающей среды (инструмент/зарядное устройство/аккумулятор):
 - при зарядке 4...40 °C
 - при эксплуатации -20...+50 °C
 - при хранении -20...+50 °C

ПОЯСНЕНИЯ К ОБОЗНАЧЕНИЯМ НА ИНСТРУМЕНТЕ И АККУМУЛЯТОРЕ

- ③ Перед использованием ознакомьтесь с инструкциями.
- ④ При попадании в огонь аккумулятор может взорваться. Ни в коем случае не сжигайте аккумуляторы.
- ⑤ Храните инструмент, зарядное устройство и аккумулятор в таких местах, где температура не превышает 50 °C.
- ⑥ Не выбрасывайте электроинструменты и аккумуляторы вместе с бытовыми отходами.

ИСПОЛЬЗОВАНИЕ

- Зарядка аккумулятора

! Ознакомьтесь с предупреждениями и инструкциями по технике безопасности, прилагаемыми к зарядному устройству.

- Извлечение и установка аккумулятора ②
- Индикатор уровня заряда ⑦
 - Нажмите кнопку индикатора уровня заряда аккумулятора Н, чтобы увидеть текущий уровень заряда ⑦а
- **! Если после нажатия кнопки Н ⑦а начинает мигать самый низкий уровень заряда, аккумулятор разряжен.**
- **! Если после нажатия кнопки Н ⑦с начинают мигать 2 уровня индикатора заряда, температура аккумулятора выходит за пределы допустимого диапазона рабочих температур.**
- Светодиодная подсветка ⑭
 - При активации выключателя автоматически начинает светиться светодиодная подсветка В.
- **! Если светодиодная подсветка начинает мигать, активируется защита аккумулятора (см. ниже).**
- Защита аккумулятора
 - Инструмент внезапно выключается или не включается, когда:
 - нагрузка слишком высока --> уменьшите нагрузку и выполните перезапуск;
 - температура аккумулятора вышла за пределы допустимого диапазона рабочих температур от -20 до +50 °С --> при нажатии кнопки Н ⑦с начинают мигать 2 уровня индикатора уровня заряда. Дождитесь, пока температура аккумулятора вернется в допустимый диапазон рабочих температур;
 - аккумулятор почти разряжен (для защиты от глубокого разряда) --> низкий уровень заряда или мигающий низкий уровень заряда аккумулятора ⑦b отображается индикатором при нажатии кнопки Н. Зарядите аккумулятор.
- **! В случае автоматического выключения инструмента не пытайтесь включить его снова, поскольку при этом может быть поврежден аккумулятор.**
- Включение и выключение ⑧
 - Инструмент включается и выключается путем перемещения переключателя А в положение «I» и «O» соответственно.
- Регулировка скорости ⑨
 - С помощью колесика с циферблатом F можно выбрать желаемую скорость распиливания. Оптимальная рабочая скорость зависит от обрабатываемого материала и может быть определена на практике. Когда колесико с циферблатом F установлено в положение «А», скорость холостого хода снижается для контролируемого пуска.
 - При пилении скорость автоматически увеличится до полной.
- **! Инструмент вернется к сниженной скорости холостого хода только после перезапуска.**
- Замена пильного полотна ⑩
 - ! Всегда извлекайте аккумулятор из инструмента перед выполнением любых регулировок или сменой насадок.**

! Вставьте полотно до упора (зубья должны быть направлены вперед). ⑪

- Инструмент подходит для использования большинства распространенных пильных полотен с Т-образным хвостовиком ⑩.
- Чтобы извлечь полотно, используйте только рычаг зажима пильного полотна С (не нужно прикасаться к самому полотну).
- Распиливание под углом 45° ⑫
- Выбор режима распиливания ⑬
 - Используйте рычаг D для регулировки орбитального хода от аккуратного распила (0) до быстрой резки (3).
 - 1 режим (0) для аккуратного распиливания любых материалов, а также прямых и криволинейных распилов.
 - 3 режима для быстрой резки различных материалов, только прямые распилы.
1 = алюминий, пластик
2 = твердая древесина
3 = мягкая древесина
- **! Всегда выбирайте «0» при распиливании материала, чувствительного к сколам.**
- Удаление пыли ⑮
 - Подсоедините адаптер для пылесоса J к основанию.
 - Подсоедините шланг пылесоса к адаптеру для пылесоса J.
- **! Не используйте пылесос при резке металла.**
- Работа с инструментом
 - Перед включением инструмента убедитесь, что передняя часть основания плотно прилегает к заготовке.
 - Для обеспечения полного контроля над инструментом всегда крепко держите его обеими руками.
- **! Во время работы всегда держите инструмент за поверхности захвата, обозначенные серым цветом. ⑯**
- Убедитесь, что вся поверхность основания плотно прилегает к заготовке.
- **! Прежде чем поднимать инструмент с заготовки, убедитесь, что полотно полностью остановилось.**
- Не закрывайте вентиляционные отверстия G ②

СОВЕТЫ ПО ИСПОЛЬЗОВАНИЮ

- Используйте подходящие пильные полотна ⑰
 - ! Инструмент подходит для использования большинства распространенных пильных полотен с Т-образным хвостовиком.**
- При резке металлов регулярно смазывайте режущий элемент маслом.
- Предварительно просверлите отверстие, прежде чем делать вырезы ⑱.
- Распиливание без щепок.
 - Перед резкой накройте линию распила несколькими слоями широкой ленты.
 - Всегда располагайте заготовку лицевой стороной вниз.
- Дополнительную информацию см. на сайте www.skil.com

ТЕХНИЧЕСКОЕ ОБСЛУЖИВАНИЕ И УХОД

- Этот инструмент не предназначен для профессионального использования.
- Всегда содержите инструмент в чистоте, особенно вентиляционные отверстия G②)
! Перед очисткой извлеките из инструмента аккумулятор.
- Если несмотря на тщательность изготовления и испытаний инструмент выйдет из строя, его ремонт должен осуществляться в центре послепродажного обслуживания электроинструментов SKIL.
 - Отправьте инструмент **в разобранном виде** вместе с документом, подтверждающим покупку, вашему дилеру или в ближайший сервисный центр SKIL. Адреса и сервисная схема инструмента приведены на сайте www.skil.com.
 - Имейте в виду, что на повреждения, вызванные перегрузкой или неправильным обращением с инструментом, гарантия не распространяется (условия гарантии SKIL см. на сайте www.skil.com или уточните у дилера).

ЗАЩИТА ОКРУЖАЮЩЕЙ СРЕДЫ

- **Не выбрасывайте электроинструменты, аккумуляторы, принадлежности и упаковку вместе с бытовыми отходами** (только для стран ЕС).
 - В соответствии с Европейской директивой 2012/19/ЕС об отходах электрического и электронного оборудования и ее выполнением в соответствии с национальным законодательством электрические инструменты, отслужившие свой срок, должны собираться отдельно и доставляться на перерабатывающее предприятие, не наносящее ущерба окружающей среде.
 - Символ  напомним об этом, когда возникнет необходимость в утилизации.
- ! Перед утилизацией аккумулятора защитите его клеммы плотной изоляционной лентой для предотвращения короткого замыкания.**

УРОВЕНЬ ШУМА И ВИБРАЦИИ

- Согласно измерениям в соответствии со стандартом EN62841 уровень звукового давления данного инструмента составляет 87 дБ (A), уровень звуковой мощности 98 дБ (A) (погрешность K = 3 дБ), а вибрация * (суммарная трехкомпонентная вибрация; погрешность K = 1,5 м/с²).
* при резке досок со скоростью 7,68 м/с²
* распиливание листового металла 6,08 м/с²
- Уровень вибрации был измерен в соответствии со стандартизированным испытанием, содержащимся в EN 62841, и может использоваться для сравнения одного инструмента с другим, а также для предварительной оценки воздействия вибрации при использовании данного инструмента в указанных целях.
 - При использовании инструмента в других целях или с другими либо неисправными принадлежностями уровень вибрации может значительно **повышаться**.

- Когда инструмент отключен или работает вхолостую, уровень вибрации может значительно **снижаться**.

! Чтобы защититься от воздействия вибрации, поддерживайте инструмент и его принадлежности в исправном состоянии, держите руки в тепле, а также правильно организовывайте рабочий процесс.

UA

Компактный электрический лобзик із безщітковим мотором 3440

ВСТУП

- Цей інструмент призначений для вирізання отворів та виконання пропилів у деревині, пластмасі та метали; може використовуватись для вирізання по прямій та під кутом 45°
- Цей інструмент не придатний для промислового використання
- У разі відсутності чи пошкодження деталей просимо звертатися в магазин, де було придано інструмент
- **Перед використанням приладу уважно прочитайте цю інструкцію з експлуатації та збережіть її для подальшого використання** ③
- **Зверніть особливу увагу на правила і попередження з техніки безпеки; їх недотримання може призвести до серйозної травми**

ТЕХНІЧНІ ДАНІ ①

ЕЛЕМЕНТИ ІНСТРУМЕНТА ②

- A Вимикач живлення
- B Світлодіодний індикатор
- C Затискач леза без інструментів
- D Важіль для регулювання кругової роботи
- E Поковзень
- F Колесо для регулювання швидкості розпилювання
- G Вентиляційні отвори
- H Індикатор рівня заряду акумулятора
- J Адаптер пилососа
- K Шестигранний ключ

БЕЗПЕКА

ЗАГАЛЬНІ ПОПЕРЕДЖЕННЯ ЩОДО ТЕХНІКИ БЕЗПЕКИ РОБОТИ З ЕЛЕКТРОІНСТРУМЕНТАМИ

⚠ ПОПЕРЕДЖЕННЯ. Прочитайте всі попередження безпеки, інструкції, ілюстрації та характеристики, надані з цим електроінструментом. Недотримання наведених нижче вказівок може спричинити ураження електричним струмом, пожежу та/або серйозні травми.

Зберігайте всі попередження та інструкції для використання в майбутньому.

Термін «електроінструмент» у попередженнях стосується електричного інструмента, що працює від

електромережі (через шнур) або від акумулятора (без шнура).

1) БЕЗПЕКА В РОБОЧІЙ ЗОНІ

a) Робоче місце має бути чистим і гарно освітленим.

Неприбрана або погано освітлена робоча зона може стати причиною нещасного випадку.

b) Не працюйте з інструментом у

вибухонебезпечному середовищі, наприклад за наявності легкозаймистих рідин, газів або пилу. Під час роботи електроприладу утворюються іскри, від яких можуть зайнятися пил або випари.

c) Дітям і спостерігачам заборонено перебувати поруч з електроінструментом, що працює.

Це може відволікати вас і призвести до втрати контролю.

2) ЕЛЕКТРИЧНА БЕЗПЕКА

a) Штепсельні вилки електроінструмента мають підходити до розеток. Заборонено модифікувати вилку будь-яким чином. Не використовуйте жодні перехідники для роботи із заземленими електроінструментами. Використання штепселів і розеток, у які не вносилися зміни, зменшує ризик ураження електричним струмом.

b) Уникайте контакту частин тіла із заземленими поверхнями, такими як труби, батареї, плити й холодильники. У разі заземлення тіла збільшується ризик ураження електричним струмом.

c) Беріть електроінструмент від дощу та вологи. Вода, що потрапила в електроінструмент, підвищує ризик ураження електричним струмом.

d) Поводьтесь обережно зі шнуром живлення.

Не використовуйте шнур живлення для перенесення чи перетягування інструмента та виймання вилки з розетки. Беріть шнур живлення від джерел тепла, мастил, гострих країв та рухомих частин. Пошкоджені або залутані шнури живлення підвищують ризик ураження електричним струмом.

e) Під час роботи з електроінструментом надворі використовуйте подовжувач, призначений для зовнішніх робіт. Використання подовжувача, призначеного для зовнішніх робіт, зменшує ризик ураження електричним струмом.

f) Якщо роботи з електроінструментом у вологому середовищі не уникнути, скористайтесь пристроєм захисного вимкнення (ПЗВ).

Використання ПЗВ зменшує ризик ураження електричним струмом.

3) ІНДИВІДУАЛЬНА ТЕХНІКА БЕЗПЕКИ

a) Під час роботи з електроінструментом будьте уважними, слідкуйте за своїми діями та мисліть розсудливо. Не працюйте з електроінструментом, якщо ви втомлені або перебуваєте під дією наркотичних речовин, алкоголю або ліків. Навіть миттєва втрата

пильності під час роботи з електроінструментами може стати причиною важкої травми.

b) Використовуйте засоби особистого захисту.

Завжди носіть засоби захисту очей. Використання у відповідних умовах таких захисних засобів, як протипиловий респіратор, неслизьке захисне взуття, шолом-каска і навушники допоможе зменшити ризик

травмування.

c) Уникайте випадкового запуску інструмента.

Перш ніж підключати електроінструмент до мережі живлення чи акумулятора, брати чи переносити його, перевірте, чи встановлено перемикач у положення «вимкнено». Якщо переносити електроінструмент, тримаючи палець на перемикачі живлення, або підключати його до джерела живлення, коли перемикач живлення перебуває в положенні «увімкнено», це може призвести до травмування.

d) Перш ніж вмикати електроінструмент, слід зняти всі регульовальні клинці або гайкові ключі. Якщо залишити такий ключ на рухомій частині електроінструмента, це може призвести до травмування.

e) Не дотягуйтеся. Завжди міцно стійте на ногах і втримуйте рівновагу. Це дає змогу краще керувати електроінструментом у разі виникнення непередбачуваних ситуацій.

f) Одягайтеся належним чином. Не носіть вільного одягу або прикрас. Стежте за тим, щоб волосся та одяг не потрапили на рухомі частини. Вільний одяг, прикраси або довге волосся можуть потрапити в рухомі частини.

g) Якщо пристрою обладнано системою видалення пилу, переконайтеся, що її правильно підключено і що ви використовуєте її належним чином. Використання пристрою для збирання пилу може зменшити небезпеку, пов'язану з пилом.

h) Не дозволяйте навичкам, отриманим після частого використання інструментів, змусити вас стати самовпевненими та ігнорувати принципи безпеки інструмента. Недбала дія може спричинити серйозну травму протягом доли секунди.

4) ВИКОРИСТАННЯ ТА ДОГЛЯД ЗА ЕЛЕКТРОІНСТРУМЕНТОМ

a) Не застосовуйте силу до електроінструмента. Використовуйте належний електроінструмент відповідно до потреби. Правильно підібраний електроінструмент допоможе краще і безпечніше зробити роботу зі швидкістю, яка для неї передбачена.

b) Не використовуйте електроінструмент, якщо перемикач не вмикає або не вимикає його. Усі електроінструменти, якими неможливо керувати за допомогою перемикача, становлять небезпеку й підлягають ремонту.

c) Перш ніж провідити будь-які налаштування, замініуйте антестуари або перед зберіганням слід вимкнути штепсель із джерела живлення та/або вийняти з інструмента акумулятор, якщо він змінний. Такі запобіжні заходи техніки безпеки зменшують ризик випадкового запуску електроінструмента.

d) Зберігайте інструменти, що не використовуються, подалі від дітей і не дозволяйте особам, які не мають досвіду роботи з такими інструментами або не знайомі з цією інструкцією, користуватись електроінструментом. Електроінструменти становлять небезпеку в руках недосвідчених користувачів.

- e) **Доглядайте за електроінструментами та аксесуарами. Перевіряйте їх на предмет розладнання чи блокування рухомих частин, а також будь-яких обставин, які можуть вплинути на роботу електроінструмента. У разі пошкодження електроінструмент слід здати в ремонт, перш ніж користуватися ним.** Часто нещасні випадки трапляються внаслідок неналежного технічного обслуговування електроінструментів.
- f) **Тримайте ріжучі інструменти гострими й чистими.** Належним чином доглянуті ріжучі інструменти з гострими ріжучими краями рідше блокуються, і ними легше керувати;
- g) **Користуйтеся електроінструментом, аксесуарами та насадками для інструмента згідно з цією інструкцією, зважаючи на робочі умови та роботу, яку слід виконати.** Використання електроінструмента не за призначенням може стати причиною виникнення небезпечних ситуацій.
- h) **Підтримуйте рунів'я та захватні поверхні сухими, чистими, без жиру і бруду.** Слизькі ручки та захватні поверхні не дають змоги безпечно тримати та керувати інструментом у непередбачених ситуаціях.
- 5) **КОРИСТУВАННЯ І ДОГЛЯД ЗА АКУМУЛЯТОРНИМ ІНСТРУМЕНТОМ**
- a) **Заряджайте лише за допомогою зарядного пристрою, указанного виробником.** Зарядний пристрій, який підходить для акумуляторів одного виду, може спричинити ризик пожежі у випадку його використання з іншим акумулятором.
- b) **З електроінструментами слід використовувати лише призначені для них акумуляторні батареї.** Використання будь-яких інших акумуляторних батарей може призвести до травми або пожежі.
- c) **Коли батарея не використовується, її слід тримати окремо від металевих предметів – затискачів паперу, монет, ключів, цвяхів, шурупів та інших дрібних предметів, які можуть замкнути клемами.** Коротке замикання клем акумулятора може стати причиною опіків чи пожежі.
- d) **У надто важких умовах експлуатації з акумулятора може витікати рідина; не доторкайтесь до неї. Якщо випадково ви все ж торкнулися її, слід промити це місце водою. Якщо рідина потрапила в очі, слід також звернутися до лікаря.** Рідина, яка виступає з акумулятора, може спричинити подразнення або опіки.
- e) **Не використовуйте акумуляторну батарею або інструмент, які пошкоджено або змінені.** Пошкоджені або змінені батареї можуть мати непередбачувану поведінку, що може спричинити пожежу, вибух або ризик травмування.
- f) **Не піддавайте акумуляторну батарею або інструмент дії вогню або високих температур.** Вогонь або температура вище 130°C може спричинити вибух.
- g) **Дотримуйтесь усіх інструкцій щодо заряджання та не заряджайте акумуляторну батарею або інструмент за межами температурного діапазону, зазначеного в інструкціях.** Зарядження

неналежним чином або при температурах за межами вказаного діапазону може пошкодити акумулятор і збільшити ризик виникнення пожежі.

- 6) **СЕРВІС**
- a) **Обслуговування електроінструмента повинен виконувати кваліфікований ремонтник із використанням лише ідентичних запасних частин.** Це забезпечить нормальну роботу електроінструмента.
- b) **Ніколи не ремонтуйте пошкоджені акумулятори.** Сервісне обслуговування акумуляторних батарей має виконувати лише виробник або авторизовані постачальники послуг.

ВКАЗІВКИ З ТЕХНІКИ БЕЗПЕКИ ДЛЯ БЕЗДРОТОВОГО ЕЛЕКТРИЧНОГО ЛОБЗИКА

- **Під час робіт, коли гвинт може зачепити заховану електропроводку, тримайте електроінструмент за ізольовані рукоятки** (зачеплення проводки, що перебуває під напругою, може заряджувати також і металеві частини електроінструмента та призводити до удару електричним струмом)
- **Застосовуйте затискачі або інші засоби фіксації та опори виробу на стабільній платформі** (затискання виробу руками або з притисканням до тіла робить його нестабільним та може призвести до втрати контролю за інструментом)

ЗАГАЛЬНЕ

- **Не обробляйте матеріали, що містять асбест** (асбест вважається канцерогенним)
- **Цей інструмент не можна використовувати особам віком до 16 років**
- **Рівень шуму при роботі може перевищувати 85 дБ(а); використовуйте навушники**
- **Під час роботи з крижкими та розсіпчастими матеріалами обов'язково одягайте захисні окуляри**
- **Пил від таких матеріалів, як фарба в вмістом свинцю, деякі породи дерева, мінерали й метал, може бути шкідливим** (контакт із таким пилом або його вдихання може стати причиною виникнення у оператора або осіб, що перебувають поруч, алергійних реакцій і/або респіраторних захворювань); **надягайте респіратор і працюйте з пиловиділяючим пристроєм під час роботи з інструментом**
- **Деякі види пилу класифікуються як канцерогенні** (наприклад, дубовий або буковий пил), особливо в сполученні з добавками для кондиціонування деревини; **надягайте респіратор і працюйте з пиловиділяючим пристроєм під час роботи з інструментом**
- **Дотримуйтесь інструкцій із роботи з матеріалами, що утворюють пил**
- **Виймайте акумулятор з інструмента перед виконанням будь-яких регулювань або замінювання частин та приладдя**

ПЕРЕД ВИКОРИСТАННЯМ

- **Перш ніж почати розпилювання, видаліть всі перешкоди на поверхні та під лінією розпилю**
- **Не допускайте пошкоджень, які можуть нанести шурупи, цвяхи та інші елементи вашої заготовки; видаліть їх перед початком роботи**

ПІД ЧАС ВИКОРИСТАННЯ

- Тримайте руки подалі від пилки коли інструмент працює

АКСЕСУАРИ

- SKIL гарантує надійну роботу інструмента тільки при використанні відповідного приладдя
- Не використовуйте тупі, деформовані та поламані пилки

ПІСЛЯ ВИКОРИСТАННЯ

- Коли ви закінчили роботу з інструментом, вимкніть мотор і переконайтеся, що всі рухомі частини повністю зупинилися

БАТАРЕЇ

- **Акумулятор, який постачається в комплекті, є частково зарядженим** (повністю зарядіть акумулятор у зарядному пристрої перед першим використанням свого електроінструмента, щоб забезпечити повну потужність акумулятора)
- **Використовуйте з інструментом тільки такі акумулятори і зарядні пристрої**
 - Акумулятор SKIL: BR1*31****
 - Зарядний пристрій SKIL: CR1*31****
- Не використовуйте пошкоджені акумулятор; негайно від'єднайте його від інструмента
- Не розбирайте акумулятор
- Виключіть можливість потрапляння дощу на інструмент або акумулятор
- Дозволена температура довкілля (інструмент/зарядний пристрій/акумулятор):
 - під час зарядження 4...40°C
 - під час роботи -20...+50°C
 - під час зберігання -20...+50°C

ПОЯСНЕННЯ ДО УМОВНИХ ПОЗНАЧЕНЬ НА ІНСТРУМЕНТІ/АКУМУЛЯТОРІ

- ③ Перед використанням прочитайте інструкцію із застосування
- ④ При влученні у вогонь батареї вибухають, тому в жодному разі не спалюйте батареї
- ⑤ Зберігайте інструмент/зарядний пристрій/акумулятор при температурі не більшій 50°C
- ⑥ Не викидайте електроінструмент і батареї разом зі звичайним сміттям

ВИКОРИСТАННЯ

- Заряджання акумулятора
 - ! ознайомтеся з попередженнями і вказівками з техніки безпеки, які надаються із зарядним пристроєм
- Зняття/установлення акумулятора ②
- Індикатор рівня заряду акумулятора ⑦
 - натисніть кнопку індикатора рівня заряду акумулятора Н, щоб побачити поточний рівень заряду ⑦а
 - ! якщо після натискання кнопки Н ⑦b починає блимати індикатор найнижчого рівня заряду акумулятора, то акумулятор розряджено
 - ! коли 2 рівні індикатора заряду акумулятора починають блимати після натискання кнопки Н ⑦c, акумулятор перебуває за межами допустимого діапазону робочих температур
- Світлодіодний індикатор ④
 - LED-індикатор В автоматично загоряється під час активації вимикача
 - ! коли світлодіодна робоча лампа починає

блимати, активується захист акумулятора (див. нижче)

- Захист акумулятора
 - Інструмент раптово вимикається або не вмикається, якщо
 - **навантаження занадто високе** -> приберіть навантаження і перезапустіть
 - **температура акумулятора не перебуває в допустимому діапазоні робочих температур від -20 до +50°C** --> 2 рівні індикатора заряду акумулятора починають блимати під час натискання кнопки Н ⑦c; зачекайте, доки акумулятор не повернеться в допустимий діапазон робочих температур
 - **батарею майже розряджено (для захисту від блибного розряду)** -> низький рівень заряду батареї або блимання низького рівня заряду батареї ⑦b показано індикатором рівня заряду батареї під час натискання кнопки Н; зарядіть акумулятор
 - ! не продовжуйте роботу та не натискайте вмикач після автоматичного вимкнення інструмента; таними діями можна пошкодити акумулятор
 - Вмикання/вимкання ⑧
 - вмикайте/вимикайте інструмент, натискаючи/пересуваючи вимикач у положення "I"/"O"
 - Регулятор швидкості ⑨
 - з коліщатком F дає змогу вибрати бажану швидкість пиляння
 - Оптимальна робоча швидкість залежить від матеріалу і може визначитися шляхом практичних випробувань
 - Коли коліщатко F встановлене в положення "A", швидкість холостого ходу знижується для контрольованого пуску.
 - під час пиляння швидкість автоматично збільшиться до повної швидкості
 - ! інструмент повернеться до зменшеної швидкості холостого ходу лише після перезапуску
 - Заміна леза пили ⑩
 - ! виймайте акумулятор з інструмента перед виконанням будь-яких регулювань або заміною частин та приладдя!
 - ! Встроміть пилу на повну глибину зубцями, направленими вперед ⑪
 - інструмент підходить для найбільш поширених лез із Т-подібним хвостовиком ⑩
 - щоб витягти лезо, використовуйте тільки важіль затискача леза С (не потрібно торкатися леза)
 - Розпилювання під кутом 45° ⑫
 - Вибір режиму пиляння ⑬
 - Використовуйте важіль D для регулювання кругової роботи від точного різання (= 0) до швидкого різання (=3)
 - 1 параметр ("0") для точного різання будь-яких матеріалів, прями розпили + вигини
 - 3 параметри для швидкого різання різних матеріалів, тільки прями розпили
- 1 = алюміній, пластик
2 = тверда деревина
3 = м'яка деревина
- ! під час розпилювання матеріалу, що легко

- розщеплюється, завжди вибирайте режим “0”
- Пиловлівлювання 15
 - підключіть адаптер пиłosоса J до поковзня
 - підключіть шланг пиłosоса до адаптера пиłosоса J
 - ! не використовуйте пиłosос під час різанні металу**
- Використання інструменту
 - перед умиканням інструменту переконайтесь в тому, що передня частина опори щільно стикається з оброблюваною поверхнею
 - тримайте інструмент двома руками, таким чином ви будете мати повний контроль над інструментом весь час
 - ! під час роботи завжди тримайте інструмент за області захвату сірого кольору 16**
 - переконайтесь, що вся поверхня опори надійно спирається на робочу поверхню
 - ! перед видаленням інструмента з оброблюваної поверхні переконайтесь, що пила остаточно зупинилась**
 - тримайте вентиляційні отвори G 2 незакрытими

ПОРАДИ ПО ВИКОРИСТАННЮ

- Використовуйте відповідні пилки 17
 - ! інструмент підходить для найбільш поширених лез із Т-подібним хвостовиком**
- Під час різки металів регулярно змащуйте пилку маслом
- Перед вирізанням наскрізних отворів попередньо просвердліть отвір дрилем 18
- Пропил без трісок
 - наклейте декілька шарів широкої стрічки на лінію розрізу
 - завжди ріжте по протилежному (тильному) боці матеріалу
- Дивитись додаткову інформацію на сайті www.skil.com

ДОГЛЯД/ОБСЛУГОВУВАННЯ

- Цей інструмент не придатний для промислового використання
- Завжди тримайте інструмент у чистоті (особливо вентиляційні отвори G 2)
- ! виймайте акумулятор з інструмента перед очищенням**
- Якщо незважаючи на ретельну технологію виготовлення і перевірки інструмент все-таки вийде з ладу, його ремонт дозволяється виконувати лише в авторизованій сервісній майстерні для електроприладів SKIL
 - надішліть **нерозібраний** інструмент разом із доказом купівлі до свого дилера або до найближчого центру обслуговування SKIL (адреси, а також схема для обслуговування пристрою, подаються на сайті www.skil.com)
 - Візьміть до відома, що ушкодження внаслідок перевантаження або неналежного поводження з інструментом не будуть включені в гарантію (умови гарантії SKIL див. на сайті www.skil.com або довідайтесь в дилера у Вашому регіоні)

ОХОРОНА ДОВКІЛЛЯ

- Не викидайте електроінструмент, акумулятори, аксесуари та упановку разом зі звичайним сміттям** (тільки для країн ЄС)
 - відповідно до європейської директиви 2012/19/ЄС щодо утилізації старих електричних та електронних приладів, згідно з місцевим законодавством, електроінструмент, який перебував в експлуатації, має бути утилізований окремо, безпечним для довкілля шляхом
 - символ 19 нагадає вам про це, коли виникне необхідність в утилізації
 - ! перед тим як позбутись акумулятора: заклейте грубою клейкою стрічкою клеми, щоб запобігти короткому замиканню**

ШУМ / ВІБРАЦІЯ

- Рівень звукового тиску цього інструмента, який вимірюється відповідно до EN62841, становить 87 дБ(A), рівень звукової потужності 98 дБ(A) (похибка K = 3 дБ), а вібрація* (векторна сума трьох осей; похибка K = 1,5 м/с²)
 - * різання дошки 7,68 м/с²
 - * розпилювання листового металу 6,08 м/с²
- Рівень вібрації було виміряно згідно зі стандартизованим випробуванням, що міститься в EN62841; ця характеристика може використовуватися для порівняння одного інструмента з іншим, а також для попередньої оцінки впливу вібрації під час застосування інструмента для вказаних цілей
 - у разі використання інструмента в інших цілях або з іншими/несправними допоміжними пристосуваннями рівень впливу вібрації може значно **підвищуватися**
 - у періоди, коли інструмент вимкнений або функціонує без фактичного виконання роботи, рівень впливу вібрації може значно **знижуватися**
 - ! захищайте себе від впливу вібрації, підтримуючи інструмент і його допоміжні пристосування в справному стані, підтримуючи руки в теплі, а також правильно організовуючи свій робочий процес**

GR

Κόμπακτ σέγα χωρίς ψήκτρές

3440

ΕΙΣΑΓΩΓΗ

- Αυτό το εργαλείο έχει σχεδιαστεί για τη δημιουργία εγχοπών και οπών σε ξύλο, πλαστικό, μέταλλο, και είναι κατάλληλο για ευθείες και κυρτές κοπές με φάλτσογωνίες έως 45°
- Αυτό το εργαλείο δεν προορίζεται για επαγγελματική χρήση
- Όταν λείπουν μέρη του ηλεκτρικού εργαλείου ή παρουσιάζουν φθορές, επικοινωνήστε με το κατάστημα από το οποίο το αγοράσατε
- Διαβάστε προσεκτικά το εγχειρίδιο οδηγιών πριν από τη χρήση και φυλάξτε το για μελλοντική αναφορά 3**
- Δώστε ιδιαίτερη προσοχή στις οδηγίες ασφαλείας**

και στις προειδοποιήσεις - η μη τήρηση αυτών των οδηγιών και προειδοποιήσεων θα μπορούσε να προκαλέσει σοβαρούς τραυματισμούς

ΤΕΧΝΙΚΑ ΧΑΡΑΚΤΗΡΙΣΤΙΚΑ ①

ΣΤΟΙΧΕΙΑ ΤΟΥ ΕΡΓΑΛΕΙΟΥ ②

- A Διακόπτης ενεργοποίησης/απενεργοποίησης
- B Λυχνία LED
- C Σφικτήρας λάμας χωρίς χρήση πρόσθετου εργαλείου
- D Μοχλός ελέγχου έλλειψης
- E Πλάκα πέλματος
- F Τροχίσκος ρύθμισης της ταχύτητας κοπής
- G Σχισμές εξαερισμού
- H Κομπι ένδειξης κατάστασης μπαταρίας
- J Προσαρμογέας ηλεκτρικής σκούπας
- K Εξάγωνο κλειδί

ΑΣΦΑΛΕΙΑ

ΓΕΝΙΚΕΣ ΠΡΟΕΙΔΟΠΟΙΗΣΕΙΣ ΑΣΦΑΛΕΙΑΣ ΓΙΑ ΗΛΕΚΤΡΙΚΑ ΕΡΓΑΛΕΙΑ

ΠΡΟΕΙΔΟΠΟΙΗΣΗ Μελετήστε όλες τις προειδοποιήσεις ασφάλειας, τις οδηγίες, τις εικόνες και τις προδιαγραφές που συνοδεύουν αυτό το ηλεκτρικό εργαλείο. Εάν δεν τηρηθούν όλες οι οδηγίες που αναφέρονται παρακάτω, μπορεί να προκληθεί ηλεκτροπληξία, πυρκαγιά και/ή σοβαρός τραυματισμός.

Φυλάξτε όλες τις προειδοποιήσεις και τις οδηγίες για μελλοντική αναφορά.

Ο όρος «ηλεκτρικό εργαλείο» στις προειδοποιήσεις αναφέρεται στο ηλεκτρικό σας εργαλείο, το οποίο λειτουργεί είτε με σύνδεση σε πρίζα (ενσύρματα) είτε με συστοιχία μπαταριών (ασύρματα).

1) ΑΣΦΑΛΕΙΑ ΣΤΟ ΧΩΡΟ ΕΡΓΑΣΙΑΣ

- a) Διατηρείτε το χώρο εργασίας καθαρό και καλά φωτισμένο. Οι ακατάστατοι χώροι και οι χώροι με κακό φωτισμό ενισχύουν την πιθανότητα ατυχημάτων.
- b) Μην χρησιμοποιείτε ηλεκτρικά εργαλεία σε εκρηκτική ατμόσφαιρα, για παράδειγμα, παρουσία εύφλεκτων υγρών, αερίων ή σκόνης. Τα ηλεκτρικά εργαλεία δημιουργούν σπινθήρες που μπορεί να αναφλέξουν τη σκόνη ή τις αναθυμιάσεις.
- c) Διατηρείτε τα παιδιά και τους παρευρισκόμενους μακριά, όταν χρησιμοποιείτε το ηλεκτρικό εργαλείο. Εάν κάτι αποσπάσει την προσοχή σας, μπορεί να χάσετε τον έλεγχο.

2) ΗΛΕΚΤΡΙΚΗ ΑΣΦΑΛΕΙΑ

- a) Το φως του ηλεκτρικού εργαλείου πρέπει να ταιριάζει στην πρίζα. Μην τροποποιήσετε ποτέ και με κανέναν τρόπο το φως. Μην χρησιμοποιείτε κανενός είδους φως προσαρμογέων με γειωμένα ηλεκτρικά εργαλεία. Τα μη τροποποιημένα φως και οι κατάλληλες πρίζες μειώνουν τον κίνδυνο ηλεκτροπληξίας.
- b) Αποφεύγετε την επαφή με γειωμένες επιφάνειες, όπως σωλήνες, θερμαντικά σώματα, εστίες και ψυγεία. Υπάρχει αυξημένος κίνδυνος ηλεκτροπληξίας

όταν το σώμα σας είναι γειωμένο.

- c) Μην εκθέτετε τα ηλεκτρικά εργαλεία σε βροχή ή υγρασία. Εάν εισχωρήσει νερό στο ηλεκτρικό εργαλείο θα αυξηθεί ο κίνδυνος ηλεκτροπληξίας.
 - d) Μην κακομεταχειρίζεστε το καλώδιο. Μην χρησιμοποιείτε ποτέ το καλώδιο για να μεταφέρετε, να τραβήξετε ή να αποσυνδέσετε το ηλεκτρικό εργαλείο από την πρίζα. Διατηρείτε το καλώδιο μακριά από θερμότητα, λάδια, αιχμηρές γωνίες ή κινούμενα εξαρτήματα. Τα κατεστραμμένα ή μπλεγμένα καλώδια αυξάνουν τον κίνδυνο ηλεκτροπληξίας.
 - e) Όταν χρησιμοποιείτε ένα ηλεκτρικό εργαλείο σε εξωτερικό χώρο, χρησιμοποιείτε καλώδιο προέκτασης κατάλληλο για χρήση σε εξωτερικούς χώρους. Τα καλώδια που είναι κατάλληλα για εξωτερικούς χώρους περιορίζουν τον κίνδυνο ηλεκτροπληξίας.
 - f) Εφόσον δεν μπορείτε να αποφύγετε τη χρήση του ηλεκτρικού εργαλείου σε περιοχή με υγρασία, χρησιμοποιείτε τροφοδοσία με διάταξη προστασίας ρεύματος διαρροής (RCD). Η χρήση διάταξης RCD μειώνει τον κίνδυνο ηλεκτροπληξίας.
- #### 3) ΠΡΟΣΩΠΙΚΗ ΑΣΦΑΛΕΙΑ
- a) Να βρίσκεστε πάντα σε εγρήγορση, να προσέχετε τι κάνετε και να εφαρμόζετε κοινή λογική όταν χρησιμοποιείτε ηλεκτρικά εργαλεία. Μην χρησιμοποιείτε κανένα ηλεκτρικό εργαλείο όταν είστε κουρασμένοι ή υπό την επήρεια ναρκωτικών, αλκοόλ ή φαρμάκων. Όταν χρησιμοποιείτε ηλεκτρικά εργαλεία, μια στιγμή απροσεξίας μπορεί να προκαλέσει σοβαρό τραυματισμό.
 - b) Χρησιμοποιείτε μέσα ατομικής προστασίας. Φοράτε πάντα προσταστανικά γυαλιά. Τα μέσα ατομικής προστασίας, όπως η μάσκα σκόνης, τα αντλιοσθητικά παπούτσια, το κράνος ή η ωτοπροστασία, που χρησιμοποιούνται στις κατάλληλες περιστάσεις, μειώνουν τον κίνδυνο τραυματισμών.
 - c) Λαμβάνετε μέτρα για να μην ενεργοποιηθεί κατά λάθος το ηλεκτρικό εργαλείο. Βεβαιώνετε ότι ο διακόπτης βρίσκεται στη θέση απενεργοποίησης (OFF) προτού να συνδέσετε το ηλεκτρικό εργαλείο στο ρεύμα και/ή στη συστοιχία μπαταριών, ή όταν σηκώνετε ή μεταφέρετε το εργαλείο. Μην μεταφέρετε το ηλεκτρικό εργαλείο με το δάκτυλο στο διακόπτη και μην συνδέετε το ηλεκτρικό εργαλείο στην πρίζα με ανοικτό το διακόπτη, διότι ενέχει κίνδυνος ατυχήματος.
 - d) Προτού ενεργοποιήσετε το ηλεκτρικό εργαλείο, αφαιρείτε οποιοδήποτε εργαλείο ή κλειδί ρύθμισης. Εάν το εργαλείο ή το κλειδί ρύθμισης παραμείνει επάνω στο περιστρεφόμενο μέρος του ηλεκτρικού εργαλείου, μπορεί να προκληθεί τραυματισμός.
 - e) Μην τεντώνετε υπερβολικά για να πραγματοποιήσετε την εργασία. Πατάτε πάντα σταθερά και διατηρείτε την ισορροπία σας. Έτσι θα ελέγχετε καλύτερα το ηλεκτρικό εργαλείο σε περιπτώση απροσδόκων καταστάσεων.
 - f) Φοράτε κατάλληλα ρούχα. Μην φοράτε φαρδιά ρούχα ή κοσμήματα. Διατηρείτε τα μαλλιά και τα ρούχα σας μακριά από κινούμενα μέρη. Τα φαρδιά

ρούχα, τα κοσμήματα ή τα μακριά μαλλιά ενδέχεται να εμπλακούν σε κινούμενα μέρη.

- g) **Εάν υπάρχει δυνατότητα σύνδεσης συσκευών απομάκρυνσης και συλλογής σκόνης, βεβαιωθείτε ότι αυτές οι συσκευές έχουν συνδεθεί και χρησιμοποιούνται σωστά.** Αυτές οι συσκευές μπορούν να περιορίσουν τους κίνδυνους που σχετίζονται με τη σκόνη.
- h) **Ακόμα κι εάν χρησιμοποιείτε συχνά ηλεκτρικά εργαλεία, μην εφησυχάζετε και μην παραβλέπετε τις βασικές αρχές ασφαλείας.** Μια στιγμή απροσεξίας μπορεί να οδηγήσει σε σοβαρό τραυματισμό.
- 4) **ΧΡΗΣΗ ΚΑΙ ΦΡΟΝΤΙΔΑ ΤΟΥ ΗΛΕΚΤΡΙΚΟΥ ΕΡΓΑΛΕΙΟΥ**
- a) **Μην ζορίζετε το ηλεκτρικό εργαλείο.** Χρησιμοποιείτε το κατάλληλο ηλεκτρικό εργαλείο για την εκάστοτε εργασία. Η εργασία θα πραγματοποιηθεί καλύτερα και ασφαλέστερα, εφόσον χρησιμοποιηθεί το κατάλληλο ηλεκτρικό εργαλείο στην ταχύτητα για την οποία έχει σχεδιαστεί.
- b) **Μην χρησιμοποιήσετε το ηλεκτρικό εργαλείο εάν δεν μπορείτε να το ενεργοποιήσετε και να το απενεργοποιήσετε από τον διακόπτη.** Οποιοδήποτε ηλεκτρικό εργαλείο δεν επιδέχεται έλεγχο από το διακόπτη είναι επικίνδυνο και απαιτεί επισκευή.
- c) **Αποσυνδέστε το φως από την πηγή ρεύματος και/ή αφαιρέστε τη συστοιχία μπαταριών, εφόσον είναι αποσπώμενη, από το ηλεκτρικό εργαλείο προτού να κάνετε οποιαδήποτε ρύθμιση, αλλάξετε παρελκόμενα ή το αποθηκεύσετε.** Χάρη σε τέτοια προληπτικά μέτρα περιορίζεται ο κίνδυνος να ενεργοποιηθεί κατά λάθος το ηλεκτρικό εργαλείο.
- d) **Αποθηκεύετε τα ηλεκτρικά εργαλεία που δεν χρησιμοποιείτε σε μέρος όπου δεν έχουν πρόσβαση τα παιδιά και μην αφήνετε άτομα που δεν είναι εξοικειωμένα με το ηλεκτρικό εργαλείο ή αυτές τις οδηγίες να το χρησιμοποιήσουν.** Τα ηλεκτρικά εργαλεία είναι επικίνδυνα στα χέρια ατόμων που δεν έχουν εκπαιδευτεί στη χρήση τους.
- e) **Συντηρείτε τα ηλεκτρικά εργαλεία και τα παρελκόμενα.** Ελέγχετε για κακή ευθυγράμμιση ή εμπλοκή των κινούμενων μερών, για σπασμένα εξαρτήματα και για οποιαδήποτε άλλη κατάσταση που μπορεί να επηρεάσει τη λειτουργία του ηλεκτρικού εργαλείου. Εάν έχει υποστεί ζημιά το ηλεκτρικό εργαλείο, επισκευάστε το προτού να το χρησιμοποιήσετε. Πολλά ατυχήματα οφείλονται σε πλημμελώς συντηρημένα ηλεκτρικά εργαλεία.
- f) **Διατηρείτε τα εργαλεία κοπής αιχμηρά και καθαρά.** Τα εργαλεία κοπής που έχουν συντηρηθεί σωστά και διαθέτουν αιχμηρές κόψεις είναι λιγότερο πιθανό να μπλοκάρουν, ενώ ο έλεγχός τους είναι ευκολότερος.
- g) **Χρησιμοποιείτε το ηλεκτρικό εργαλείο, τα παρελκόμενα, τις μύτες, κτλ., σύμφωνα με αυτές τις οδηγίες, λαμβάνοντας υπόψη τις συνθήκες εργασίας και την προς εκτέλεση εργασία.** Η χρήση ενός ηλεκτρικού εργαλείου για λειτουργίες διαφορετικές από αυτές για τις οποίες προορίζεται μπορεί να οδηγήσει σε επικίνδυνες καταστάσεις.
- h) **Διατηρείτε τις λαβές και τις επιφάνειες συγκράτησης του εργαλείου στεγνές και καθαρές, χωρίς λάδια και γράσα.** Εάν γλιστρούν οι λαβές

και οι επιφάνειες συγκράτησης δε θα μπορέσετε να χειριστείτε με ασφάλεια το εργαλείο, ούτε θα μπορέσετε να το ελέγξετε σε περίπτωση που προκύψει κάποια απροσδόκητη κατάσταση.

5) ΧΡΗΣΗ ΚΑΙ ΦΡΟΝΤΙΔΑ ΗΛΕΚΤΡΙΚΩΝ ΕΡΓΑΛΕΙΩΝ ΜΠΑΤΑΡΙΑΣ

- a) **Επαναφορτίζετε το ηλεκτρικό εργαλείο μόνο με το φορτιστή που έχει καθορίσει ο κατασκευαστής.** Οι φορτιστές που είναι κατάλληλοι για έναν συγκεκριμένο τύπο συστοιχίας μπαταριών μπορεί να προκαλέσουν πυρκαγιά εάν χρησιμοποιηθούν για κάποιον άλλον τύπο.
- b) **Χρησιμοποιείτε το ηλεκτρικό εργαλείο μόνο με τη συγκεκριμένη συστοιχία μπαταριών που προορίζεται για αυτό.** Εάν χρησιμοποιηθεί οποιαδήποτε άλλη συστοιχία μπαταριών, μπορεί να προκληθεί τραυματισμός και πυρκαγιά.
- c) **Όταν η συστοιχία μπαταριών δεν χρησιμοποιείται, φυλάσσετε την μακριά από μεταλλικά αντικείμενα, όπως, συνδετήρες, κέρματα, κλειδιά, καρφιά, βίδες ή άλλα μικρά μεταλλικά αντικείμενα, τα οποία μπορεί να δημιουργήσουν σύνδεση μεταξύ των ακροδεκτών.** Το βραχυκύκλωμα των ακροδεκτών της συστοιχίας μπαταριών μπορεί να προκαλέσει εγκαύματα ή πυρκαγιά.
- d) **Σε συνθήκες κακής χρήσης, μπορεί να διαρρεύσει υγρό από τη συστοιχία μπαταριών. Αποφύγετε την επαφή με αυτό. Σε περίπτωση τυχαίας επαφής, ξεπλύνετε καλά με νερό. Εάν το υγρό έρθει σε επαφή με τα μάτια, απευθυνθείτε επιπρόσθετα σε γιατρό.** Το υγρό που διαρρέει από τη συστοιχία μπαταριών μπορεί να προκαλέσει ερεθισμό ή εγκαύματα.
- e) **Μην χρησιμοποιείτε τη συστοιχία μπαταριών ή το εργαλείο εάν έχουν υποστεί ζημιά ή έχουν τροποποιηθεί.** Οι συστοιχίες μπαταριών που έχουν υποστεί ζημιά ή έχουν τροποποιηθεί μπορεί να έχουν απρόβλεπτη συμπεριφορά και να προκαλέσουν πυρκαγιά, έκρηξη ή τραυματισμό.
- f) **Η συστοιχία μπαταριών και το ηλεκτρικό εργαλείο δεν πρέπει να εκτίθενται σε φωτιά ή υπερβολικά υψηλές θερμοκρασίες.** Η έκθεση σε φωτιά ή θερμοκρασία πάνω από 130 °C μπορεί να προκαλέσει έκρηξη.
- g) **Πηρείτε όλες τις οδηγίες φόρτισης και μη φορτίζετε τη συστοιχία μπαταριών ή το ηλεκτρικό εργαλείο εκτός του εύρους θερμοκρασίας που καθορίζεται στις οδηγίες.** Εάν η φόρτιση δε γίνει σωστά ή πραγματοποιηθεί σε θερμοκρασία εκτός του καθορισμένου εύρους, η συστοιχία μπαταριών μπορεί να υποστεί ζημιά και να αυξηθεί ο κίνδυνος πυρκαγιάς.
- 6) **ΣΕΡΒΙΣ**
- a) **Το ηλεκτρικό εργαλείο πρέπει να επισκευάζεται μόνο από εξειδικευμένο επαγγελματία, χρησιμοποιώντας μόνο πρωτότυπα ανταλλακτικά.** Έτσι, το ηλεκτρικό σας εργαλείο θα παραμείνει ασφαλές.
- b) **Μην επιχειρήσετε ποτέ να επισκευάσετε συστοιχία μπαταριών που έχει υποστεί ζημιά.** Η συστοιχία μπαταριών πρέπει να επισκευάζεται μόνο από τον κατασκευαστή ή από εξουσιοδοτημένα κέντρα σέρβις.

ΟΔΗΓΙΕΣ ΑΣΦΑΛΕΙΑΣ ΓΙΑ ΑΣΥΡΜΑΤΕΣ ΣΕΓΕΣ

- Κρατάτε το ηλεκτρικό εργαλείο από τις μονωμένες επιφάνειες λαβής κατά την εκτέλεση εργασιών, όπου το μάνδαλο μπορεί να έρθει σε επαφή με κρουφή καλωδίωση (η επαφή του μάνδαλου με ένα ηλεκτροφόρο καλώδιο μπορεί να καταστήσει ηλεκτροφόρο τα εκτεθειμένα μεταλλικά μέρη του ηλεκτρικού εργαλείου, προκαλώντας ηλεκτροπληξία στον χειριστή)
- Χρησιμοποιείτε σφιγκτήρες ή άλλο πρακτικό μέσο για να στερεώνετε και να υποστηρίζετε το τεμάχιο επεξεργασίας σε ευσταθή πλατφόρμα (εάν κρατάτε το τεμάχιο επεξεργασίας με το χέρι ή κόντρα στο σώμα σας, αυτό δεν σταθεροποιείται και υπάρχει κίνδυνος απώλειας ελέγχου)

ΓΕΝΙΚΑ

- Μην κατεργάζεστε υλικά που περιέχουν αμιάντο (ο αμιάντος θεωρείται καρκινογόνος)
- Αυτό το εργαλείο δεν πρέπει να χρησιμοποιείται από άτομα κάτω των 16 ετών
- Το επίπεδο θορύβου κατά τη διάρκεια της εργασίας μπορεί να ξεπεράσει τα 85 dB(A), συνεπώς θα πρέπει να χρησιμοποιείτε ωτοασπίδες
- Φοράτε προστατευτικά γυαλιά όταν εργάζεστε με υλικά που παράγουν γρέζια
- Η σκόνη από υλικά, όπως βαφές που περιέχουν μόλυβδο, ορισμένα είδη ξύλου, ορυκτά και μέταλλα μπορεί να είναι επιβλαβή (η επαφή ή η εισπνοή της σκόνης μπορεί να προκαλέσει αλλεργικές αντιδράσεις ή/και αναπνευστικές ασθένειες στο χειριστή ή σε παριστάμενους). Φοράτε μάσκα προστασίας από τη σκόνη και χρησιμοποιείτε συσκευή αναρρόφησης σκόνης, εφόσον επιδέχεται σύνδεση
- Ορισμένα είδη σκόνης ταξινομούνται ως καρκινογόνα (όπως σκόνη από δρυ ή οξιά) ιδιαίτερα σε συνδυασμό με πρόσθετα συντήρησης ξύλου. Φοράτε μάσκα προστασίας από τη σκόνη και χρησιμοποιείτε συσκευή αναρρόφησης σκόνης, εφόσον επιδέχεται σύνδεση
- Ακολουθείτε τις σχετικές με σκόνη εθνικές διατάξεις για τα υλικά που θέλετε να χρησιμοποιήσετε
- Αφαιρείτε την μπαταρία από το ηλεκτρικό εργαλείο προτού να κάνετε οποιαδήποτε ρύθμιση ή αλλάξετε παρελκόμενα

ΠΡΙΝ ΑΠΟ ΤΗ ΧΡΗΣΗ

- Αφαιρείτε όλα τα εμπόδια επάνω και κάτω από τη γραμμή κοπής, προτού να ξεκινήσετε την κοπή
- Αποφεύγετε ζημιές από βίδες, καρφία και άλλα στοιχεία που ενδέχεται να υπάρχουν στο τεμάχιο επεξεργασίας, αφαιρώντας τα προτού ξεκινήσετε την εργασία

ΚΑΤΑ ΤΗ ΔΙΑΡΚΕΙΑ ΤΗΣ ΧΡΗΣΗΣ

- Διατηρείτε τα χέρια μακριά από την πριονολάμα κατά τη λειτουργία του ηλεκτρικού εργαλείου

ΠΑΡΕΛΚΟΜΕΝΑ

- Η SKIL εγγυάται την απρόσκοπτη λειτουργία του ηλεκτρικού εργαλείου μόνο εφόσον χρησιμοποιούνται γνήσια παρελκόμενα
- Μη χρησιμοποιείτε ραγισμένες, παραμορφωμένες ή στομωμένες πριονολάμες

ΜΕΤΑ ΤΗ ΧΡΗΣΗ

- Όταν πρόκειται να αποθηκεύσετε το ηλεκτρικό εργαλείο, απενεργοποιείτε τον κινητήρα και βεβαιώστε ότι όλα τα κινούμενα μέρη του έχουν ακινητοποιηθεί πλήρως

ΜΠΑΤΑΡΙΕΣ

- Η παρεχόμενη συστοιχία μπαταριών είναι μερικώς φορτισμένη (για να διασφαλιστεί η μέγιστη ισχύς της συστοιχίας μπαταριών, φορτίστε την πλήρως με τον φορτιστή της πριν από τη χρήση του ηλεκτρικού εργαλείου σας για πρώτη φορά).
- Χρησιμοποιείτε μόνο τις ακόλουθες συστοιχίες μπαταριών και τους φορτιστές
 - Συστοιχία μπαταριών SKIL: BR1*31****
 - Φορτιστής SKIL: CR1*31****
- Μην χρησιμοποιείτε τη συστοιχία μπαταριών όταν έχει υποστεί βλάβη. Πρέπει να την αντικαθιστάτε αμέσως
- Μην αποσυρμαρμολογείτε τη συστοιχία μπαταριών
- Μην εκθέτετε το εργαλείο / τη συστοιχία μπαταριών στη βροχή
- Επιτρεπόμενη θερμοκρασία περιβάλλοντος (εργαλείο/φορτιστής/συστοιχία μπαταριών):
 - κατά τη διάρκεια της φόρτισης 4...40°C
 - κατά τη διάρκεια της λειτουργίας -20...+50°C
 - κατά τη διάρκεια της αποθήκευσης -20...+50°C

ΕΠΕΞΗΓΗΣΗ ΣΥΜΒΟΛΩΝ ΣΤΟ ΕΡΓΑΛΕΙΟ / ΤΗΝ ΜΠΑΤΑΡΙΑ

- ③ Διαβάστε το εγχειρίδιο οδηγιών πριν από τη χρήση
- ④ Οι συστοιχίες μπαταριών εκρηγνυνται εάν απορριφθούν στη φωτιά, συνεπώς, μην καίτε τις μπαταρίες για κανένα λόγο
- ⑤ Αποθηκεύετε το εργαλείο / το φορτιστή / τη συστοιχία μπαταριών σε μέρη όπου η θερμοκρασία δεν θα ξεπεράσει τους 50°C
- ⑥ Μην απορρίπτετε τα ηλεκτρικά εργαλεία και τις συστοιχίες μπαταριών στα οικιακά απορρίμματα

ΧΡΗΣΗ

- Φόρτιση της συστοιχία μπαταριών
 - ! διαβάστε τις προειδοποιήσεις ασφαλείας και τις οδηγίες που παρέχονται με το φορτιστή
- Απομάκρυνση/τοποθέτηση της συστοιχία μπαταριών ②
- Ένδειξη κατάστασης μπαταρίας ⑦
 - πιέστε το κουμπι ένδειξης κατάστασης μπαταρίας Η για να εμφανίσετε την τρέχουσα κατάσταση της μπαταρίας ⑦a
 - ! εάν αρχίσει να αναβοσβήνει το κατώτατο επίπεδο της ένδειξης κατάστασης μπαταρίας μετά το πάτημα του κουμπιού Η⑦b, τότε η μπαταρία είναι άδεια
 - ! εάν αρχίσουν να αναβοσβήνουν 2 επίπεδα της ένδειξης κατάστασης μπαταρίας μετά το πάτημα του κουμπιού Η⑦c, τότε η μπαταρία δε βρίσκεται εντός του επιτρεπόμενου εύρους θερμοκρασίας λειτουργίας
- Λυχνία LED ⑬
 - Η λυχνία LED ανάβει αυτόματα κατά την ενεργοποίηση του διακόπτη ενεργοποίησης/ απενεργοποίησης
 - ! όταν η λυχνία LED αρχίζει να αναβοσβήνει, ενεργοποιείται η προστασία της μπαταρίας (βλ. παρακάτω)
- Προστασία μπαταρίας
 - Το εργαλείο απενεργοποιείται ξαφνικά ή δεν επιδέχεται ενεργοποίηση όταν
 - το φορτίο είναι υπερβολικά υψηλό --> αφαιρέστε φορτίο και επανεκκινήστε
 - η θερμοκρασία της μπαταρίας δεν βρίσκεται εντός του επιτρεπόμενου εύρους θερμοκρασίας

λειτουργίας -20 έως +50°C --> 2 επίπεδα της ένδειξης κατάστασης μπαταρίας αρχίζουν να αναβοσβήνουν με το πάτημα του κουμπιού H (7)c. Περιμένετε ώσπου η μπαταρία να επανέλθει εντός του επιτρεπόμενου εύρους θερμοκρασίας λειτουργίας

- η μπαταρία έχει σχεδόν αδειάσει (για προστασία από βαθιά εκφόρτιση) --> ανάβει η αναβοσβήνη χαμηλή στάθμη μπαταρίας (7)b δίπλα στην ένδειξη κατάστασης μπαταρίας με το πάτημα του κουμπιού H. Φορτίστε την μπαταρία

! μην συνεχίσετε να πατάτε το διακόπτη ενεργοποίησης/απενεργοποίησης μετά την αυτόματη απενεργοποίηση του εργαλείου, διότι μπορεί να προκληθεί βλάβη στη συστοιχία μπαταριών

- Ενεργοποίηση/απενεργοποίηση (8)
 - ενεργοποιείτε/απενεργοποιείτε το ηλεκτρικό εργαλείο ωθώντας το διακόπτη A στη θέση «I/O»
- Έλεγχος ταχύτητας (9)
 - με τον στρογγυλό επιλογέα F μπορεί να επιλεγεί η επιθυμητή ταχύτητα προιονίσματος
 - Η βέλτιστη ταχύτητα εργασίας εξαρτάται από το υλικό και μπορεί να καθοριστεί με πρακτικές δοκιμές
 - Με τον στρογγυλό επιλογέα F ρυθμισμένο στο «A», η ταχύτητα χωρίς φορτίο μειώνεται για ελεγχόμενη εκκίνηση
 - κατά το πριόνισμα, η ταχύτητα αυξάνεται αυτόματα σε πλήρη ταχύτητα
- ! το εργαλείο θα επιστρέψει στη μειωμένη ταχύτητα χωρίς φορτίο μόνο μετά από επανεκκίνηση**
- Αλλαγή προιονόλαμας (10)
 - ! Αφαιρείτε την μπαταρία από το ηλεκτρικό εργαλείο προτού να κάνετε οποιαδήποτε ρύθμιση ή αλλάξετε παρελκόμενα**
 - ! εισάγετε τη λάμα σε πλήρες βάθος με τις οδοντώσεις στραμμένες προς τα εμπρός (11)**
 - ! το εργαλείο δέχεται τις περισσότερες κοινές προιονόλαμες σχήματος T (10)
 - για να εξαγάγετε τη λάμα, χρησιμοποιήστε μόνο το μοχλό του σφιγκτήρα λάμας C (δεν χρειάζεται να αγγίξετε τη λάμα)
- Κοπή σε 45° (12)
- Επιλογή λειτουργίας προιονίσματος (13)
 - Χρησιμοποιήστε το μοχλό D για τη ρύθμιση της ελλειπτικής λειτουργίας από την κοπή ακριβείας (=0) έως τη γρήγορη κοπή (=3)
 - 1 ρύθμιση («0») για πριόνισμα ακριβείας σε όλα τα υλικά, ευθεία + κυρτά
 - 3 ρυθμίσεις για γρήγορο πριόνισμα σε διάφορα υλικά, μόνο ευθεία
 - 1 = αλουμίνιο, πλαστικό
 - 2 = σκληρό ξύλο
 - 3 = μαλακό ξύλο
- ! επιλέγεται πάντοτε «0» όταν κόβετε υλικά στα οποία ενδέχεται να δημιουργηθούν ακίδες**
- Αναρρόφηση σκόνης (15)
 - συνδέστε τον προσαρμογέα ηλεκτρικής σκούπας J στην πλάκα πέλματος
 - συνδέστε το σωλήνα της ηλεκτρικής σκούπας στον προσαρμογέα ηλεκτρικής σκούπας J
- ! μην χρησιμοποιείτε την ηλεκτρική σκούπα κατά την κοπή μετάλλων**
- Χειρισμός του εργαλείου

- προτού να ενεργοποιήσετε το ηλεκτρικό εργαλείο, βεβαιωθείτε ότι το μπροστινό άκρο της πλάκας πέλματος ακουμπά επίπεδα στο τεμάχιο επεξεργασίας

- κρατάτε το εργαλείο γερά και με τα δυο σας χέρια, ώστε να έχετε τον πλήρη έλεγχο του ηλεκτρικού εργαλείου ανά πάσα στιγμή

! ενώ εργάζεστε, κρατάτε πάντα το εργαλείο από τη γκρι επιφάνεια / τις γκρι επιφάνειες λαβής (16)

- βεβαιωθείτε ότι ολόκληρη η επιφάνεια της πλάκας πέλματος στηρίζεται καλά στο τεμάχιο επεξεργασίας
- ! βεβαιωθείτε ότι η λάμα έχει ακινητοποιηθεί πλήρως, προτού να ανασηκώσετε το ηλεκτρικό εργαλείο από το τεμάχιο επεξεργασίας**
- διατηρείτε ελεύθερες τις σχισμές εξαερισμού G (2)

ΣΥΜΒΟΥΛΕΣ ΧΡΗΣΗΣ

- Χρησιμοποιείτε τις κατάλληλες προιονόλαμες (17)
 - ! το εργαλείο δέχεται τις περισσότερες κοινές προιονόλαμες σχήματος T**
- Όταν κόβετε μέταλλα, λιπαίνετε τακτικά την προιονόλαμα με λάδι
- Κάντε πρώτα μια τρύπα προτού να ξεκινήσετε τις εγκοπές (18)
- Κοπή χωρίς ακίδες
 - καλύψτε τη γραμμή κοπής με περισσότερα στρώματα φαρδιάς κολλητικής ταινίας πριν κάνετε την κοπή
 - τοποθετείτε πάντοτε την καλή πλευρά του τεμαχίου επεξεργασίας προς τα κάτω
- Για περισσότερες πληροφορίες, βλ. www.skil.com

ΣΥΝΤΗΡΗΣΗ/ΣΕΡΒΙΣ

- Αυτό το εργαλείο δεν προορίζεται για επαγγελματική χρήση
- Διατηρείτε πάντα καθαρό το εργαλείο (ειδικά τις σχισμές εξαερισμού G (2))
 - ! αφαιρείτε τη συστοιχία μπαταριών από το εργαλείο πριν από τον καθαρισμό**
- Αν παρά την επιμελημένη κατασκευή και τις διαδικασίες δοκιμής το εργαλείο παρουσιάσει βλάβη, τότε η επισκευή του πρέπει να ανατεθεί σ' ένα κέντρο εξυπηρέτησης κατόπιν πωλήσεων για ηλεκτρικά εργαλεία SKIL
 - στείλτε το εργαλείο **χωρίς να το αποσυναρμολογήσετε** μαζί με την απόδειξη αγοράς στο κατάστημα από το οποίο το αγοράσατε ή στον πλησιέστερο σταθμό τεχνικής εξυπηρέτησης της SKIL (θα βρείτε τις διευθύνσεις και το διάγραμμα συντήρησης του εργαλείου στην ιστοσελίδα www.skil.com)
 - Λαμβάνετε υπόψη ότι οι βλάβες που προκαλούνται λόγω υπερφόρτωσης ή ακατάλληλης χρήσης του ηλεκτρικού εργαλείου δεν καλύπτονται από την εγγύηση (για τους όρους της εγγύησης της SKIL βλ. www.skil.com ή απευθυνθείτε στο πλησιέστερο κατάστημα πώλησης)

ΠΕΡΙΒΑΛΛΟΝ

- **Μην απορρίπτετε ηλεκτρικά εργαλεία, μπαταρίες, παρελκόμενα και συσκευασίες στα οικιακά απορρίμματα** (μόνο για τις χώρες της ΕΕ)
 - σύμφωνα με την ευρωπαϊκή οδηγία 2012/19/ΕΚ,

σχετικά με τα απόβλητα ηλεκτρικού και ηλεκτρονικού εξοπλισμού, και την ενσωμάτωσή της στο εθνικό δίκαιο, τα άχρηστα ηλεκτρικά εργαλεία πρέπει να συλλέγονται ξεχωριστά και να επιστρέφονται σε εγκατάσταση αποβλήτων για ανακύκλωση με τρόπο φιλικό προς το περιβάλλον

- το σύμβολο ⑥ θα σας το θυμίσει αυτό όταν έλθει η ώρα της απόρριψης

! πριν από την απόρριψη, καλύψτε τους ακροδέκτες της συστοιχίας μπαταριών με μονωτική ταινία για να αποφύγετε βραχυκύκλωμα

ΘΟΡΥΒΟΣ/ΔΟΝΗΣΗ

- Βάσει της μέτρησης σύμφωνα με το πρότυπο EN62841, η στάθμη ηχητικής πίεσης αυτού του εργαλείου είναι 87 dB(A) και η στάθμη ηχητικής ισχύος 98 dB(A) (αβεβαιότητα K = 3 dB), και η δόνηση * (τριαξονικό διανυσματικό άθροισμα, αβεβαιότητα K = 1,5 m/s m/s²)
 - * κοπή σανίδων 7,68 m/s²
 - * κοπή λαμαρίνας 6,08 m/s²
 - Το επίπεδο μετάδοσης δόνησης έχει μετρηθεί σύμφωνα με τυποποιημένη δοκιμή κατά το πρότυπο EN62841. Μπορεί να χρησιμοποιηθεί για τη σύγκριση ενός εργαλείου με ένα άλλο, καθώς και ως προκαταρκτική αξιολόγηση της έκθεσης σε δόνηση όταν το εργαλείο χρησιμοποιείται για τις αναφερόμενες εφαρμογές
 - η χρήση του εργαλείου για διαφορετικές εφαρμογές, με διαφορετικά ή πλημμελώς συντηρημένα παρελκόμενα μπορεί να αυξήσει **σημαντικά** το επίπεδο έκθεσης
 - όταν το εργαλείο είναι απενεργοποιημένο ή όταν είναι ενεργοποιημένο αλλά δεν εκτελεί την εργασία, το επίπεδο έκθεσης μπορεί να **μειωθεί** σημαντικά
- ! προστατευτείτε από τις συνέπειες της δόνησης, συντηρώντας σωστά το ηλεκτρικό εργαλείο και τα παρελκόμενά του, διατηρώντας τα χέρια σας ζεστά και οργανώνοντας τον τρόπο εργασίας σας**

RO

Ferăstrău pendular compact fără perii

3440

INTRODUCERE

- Această sculă este destinată pentru a face perforări și decupări în lemn, material plastic, metal și este corespunzător pentru a face tăieturi în linie dreaptă și curbă, cu îmbinare în unghi de 45°
- Această sculă nu este destinată utilizării profesionale
- În cazul în care lipsesc piese sau acestea sunt deteriorate, contactați distribuitorul
- **Citiți cu atenție acest manual de instrucțiuni înainte de utilizare și păstrați-l pentru consultare ulterioară** ③
- **Acordați o atenție specială instrucțiunilor de securitate și avertizare; neglijarea acestora poate duce la vătămări grave**

DATE TEHNICE ①

ELEMENTELE SCULEI ②

- A Înterupător pornit/oprit
- B Lampă LED
- C Clemă pentru lamă fără scule
- D Manetă de control al mișcării orbitale
- E Placa pentru picioare
- F Roată pentru ajustarea vitezei de tăiere
- G Fantele de ventilație
- H Buton indicator al nivelului bateriei
- J Adaptor aspiratorului
- K Cheia hexagonală

SIGURANȚA

INSTRUCȚIUNI GENERALE DE SIGURANȚĂ PENTRU SCULE ELECTRICE

AVERTISMENT Citiți toate instrucțiunile, avertizările de siguranță, ilustrațiile și specificațiile livrate împreună cu această sculă electrică. Nerespectarea tuturor instrucțiunilor enumerate mai jos se poate solda cu șoc electric, incendiu și/sau vătămare corporală gravă.

Păstrați toate avertizările și instrucțiunile pentru consultare ulterioară.

Termenul „sculă electrică” din avertizări se referă la scula electrică (cu cablu) alimentată de la rețeaua electrică sau scula electrică (fără cablu de alimentare) care funcționează cu acumulator.

1) SIGURANȚA ZONEI DE LUCRU

- a) **Păstrați zona de lucru curată și bine iluminată.** Zonele dezordonate și întunecoase predispun la accidente.
- b) **Nu puneți în funcțiune sculele electrice în atmosfere explozive, cum ar fi în prezența lichidelor, gazelor sau a pulberilor inflamabile.** Sculele electrice creează scântei, care pot aprinde pulberile sau gazele.
- c) **Țineți copiii și persoanele prezente la distanță atunci când utilizați o sculă electrică.** Distragerea atenției vă poate face să pierdeți controlul.

2) SIGURANȚA ELECTRICĂ

- a) **Ștecherile sculelor electrice trebuie să corespundă cu priza de rețea electrică. Nu modificați niciodată ștecherul în vreun fel. Nu utilizați adaptoare de priză cu scule electrice împământate.** Ștecherile nemodificate și prizele adecvate vor reduce riscul de electrocutare.
- b) **Evitați contactul corpului cu suprafețele legate la împământare, cum sunt țevile, caloriferele, mașinile de gătit și frigiderele.** Acest lucru reprezintă un risc sporit de electrocutare în cazul care corpul dumneavoastră este împământat.
- c) **Nu expuneți sculele electrice la ploaie sau condiții de umiditate.** Pătrunderea apei într-o sculă electrică va crește riscul de electrocutare.
- d) **Nu folosiți în mod abuziv cablul de alimentare. Nu utilizați niciodată cordonul de alimentare pentru a transporta, a trage sau a scoate din priză scula electrică. Țineți cablul de alimentare departe de căldură, ulei, margini tăioase sau piese în mișcare.** Cablurile electrice deteriorate sau încălcite cresc riscul

de electrocutare.

- e) **Când utilizați o sculă electrică în aer liber utilizați un cablu prelungitor adecvat pentru utilizarea în aer liber.** Utilizarea unui cablu adecvat pentru utilizare în aer liber reduce riscul de electrocutare.
- f) **Dacă utilizarea unei scule electrice într-o zonă umedă este inevitabilă, utilizați o sursă de alimentare protejată cu un întrerupător de protecție la curent rezidual (DCR).** Utilizarea unui astfel de întrerupător reduce riscul de electrocutare.
- 3) **SIGURANȚA PERSONALĂ**
- a) **Păstrați-vă vigilența, urmăriți ceea ce faceți și apelați la bunul simț când utilizați o sculă electrică.** Nu utilizați o sculă electrică când sunteți obosit, sau sub influența medicamentelor, a alcoolului sau a medicației. Un moment de neatenție în timp ce utilizați sculele electrice se poate solda cu vătămări grave.
- b) **Utilizați echipamente individuale de protecție. Purtați întotdeauna echipament de protecție oculară.** Echipamentele de protecție, cum ar fi masca de praf, încălțăminte antiderapantă, cască sau protecție auditivă utilizate pentru condiții adecvate vor reduce leziunile personale.
- c) **Preveniți pornirea accidentală. Asigurați-vă că întrerupătorul este în poziția oprit înainte de a conecta scula la o sursă de alimentare și/sau set de acumulatori, înainte de a ridica sau transporta scula.** Transportul sculelor electrice cu degetul pe întrerupător sau cu alimentarea cu energie electrică pornită predis pune la accidente.
- d) **Îndepărtați orice cheie de reglare sau cheie fixă înainte de a porni scula electrică.** O cheie lăsată într-o piesă rotativă a sculei electrice poate duce la accidente.
- e) **Nu încercați să ajungeți în locuri inaccesibile. Păstrați-vă stabilitatea și echilibrul în orice moment.** Astfel veți avea un control mai bun asupra sculei electrice în situații neașteptate.
- f) **Îmbrăcați-vă corespunzător. Nu purtați haine largi sau bijuterii. Păstrați-vă părul și îmbrăcămintea departe de componentele în mișcare.** Îmbrăcămintea largă, bijuteriile sau părul lung pot fi prinse de piesele în mișcare.
- g) **Dacă sunt furnizate dispozitive pentru conectarea sistemelor de extragere și colectare a prafului, asigurați-vă că acestea sunt conectate și utilizate corespunzător.** Utilizarea dispozitivelor de colectare a prafului poate reduce pericolele legate de praf.
- h) **Nu permiteți ca familiaritatea dobândită în urma utilizării frecvente a sculelor să vă facă să neglijați sau să nesocotiți principiile de siguranță ale sculei.** O operație neglijentă poate cauza vătămări grave într-o fracțiune de secundă.
- 4) **UTILIZAREA ȘI ÎNGRIJIREA SCULELOR ELECTRICE**
- a) **Nu forțați scula electrică. Utilizați scula electrică corespunzătoare pentru aplicația dumneavoastră.** Scula electrică adecvată va face o treabă mai bună și mai sigură când este utilizată conform specificațiilor pentru care a fost concepută.
- b) **Nu utilizați scula electrică dacă întrerupătorul nu comută pe pozițiile pornit și oprit.** Orice sculă electrică ce nu poate fi controlată de la întrerupător este periculoasă și trebuie reparată.
- c) **Deconectați ștecherul de la sursa de alimentare și**

- / sau scoateți acumulatorul, dacă este detașabil, de la scula electrică înainte de a efectua ajustări, de a schimba accesoriile sau de a stoca sculele electrice.** Astfel de măsuri preventive reduc riscul de pornire accidentală a sculei electrice.
- d) **Depozitați sculele electrice într-un loc inaccesibil copiilor și nu permiteți utilizarea sculei electrice de persoane nefamiliarizate cu aceasta sau cu aceste instrucțiuni.** Sculele electrice sunt periculoase în mâinile utilizatorilor neinstruiți.
- e) **Întrețineți sculele electrice și accesoriile. Verificați dacă există abateri de la coaxialitate sau îndoiri ale pieselor în mișcare, deteriorări ale pieselor și orice altă situație care poate afecta funcționarea sculelor electrice.** În caz de deteriorare, reparați scula electrică înainte de utilizare. Multe accidente sunt cauzate de sculele electrice prost întreținute.
- f) **Mențineți sculele de tăiere ascuțite și curate.** Sculele de tăiere întreținute corespunzător și cu muchii de tăiere ascuțite riscă mai puțin să se îndoiască și sunt mai ușor de controlat.
- g) **Utilizați scula electrică, accesoriile și cuțitele demontabile etc. în conformitate cu aceste instrucțiuni, ținând cont de condițiile de lucru și lucrarea de efectuat.** Utilizarea sculei electrice pentru operații diferite de cele intenționate s-ar putea solda cu o situație periculoasă.
- h) **Mențineți mânerul și suprafețele de apucare uscate, curate și fără ulei și vaselină.** Mănerul și suprafețele de apucare alunecoase nu permit manevrarea în siguranță și controlul asupra sculei în situații neașteptate.
- 5) **UTILIZAREA ȘI ÎNGRIJIREA ACUMULATORULUI**
- a) **Reîncărcați numai cu încărcătorul specificat de producător.** Un încărcător adecvat pentru un tip de set de acumulatori poate prezenta risc de incendiu dacă este utilizat cu alt set de acumulatori.
- b) **Utilizați sculele electrice doar cu seturile de acumulatori special menționate.** Utilizarea oricărui alt set de acumulatori prezintă risc de accidente și incendii.
- c) **Când nu se utilizează setul de acumulatori, țineți-l departe de alte obiecte metalice precum clamele de hârtie, monedele, cheile, cuiele, șuruburile sau alte obiecte metalice mici care pot realiza o conexiune între borne.** Scurtcircuitarea bornelor acumulatorului poate produce arsuri sau un incendiu.
- d) **În condiții abuzive se poate scurge lichid din acumulator; evitați contactul.** Dacă are loc contactul accidental, clătiți cu apă. Dacă lichidul intră în contact cu ochii, efectuați suplimentar un consult medical. Lichidul scurs din acumulatori poate produce iritații sau arsuri.
- e) **Nu utilizați un set de acumulatori sau o sculă deteriorată sau modificată.** Acumulatorii deteriorați sau modificați pot prezenta comportament imprevizibil, care poate duce la incendiu, explozie sau risc de vătămare.
- f) **Nu expuneți setul de acumulatori la foc sau la temperaturi excesive.** Expunerea la foc sau la temperaturi de peste 130°C poate provoca explozie.
- g) **Respectați toate instrucțiunile de încărcare și nu încărcați acumulatorul sau scula în afara intervalului de temperatură specificat în instrucțiuni.** Încărcarea necorespunzătoare sau la temperaturi în afara domeniului specificat poate duce la deteriorarea

acumulatorului și la creșterea riscului de incendiu.

6) SERVICE

- a) **Apelați numai la o persoană calificată pentru a vă repara scula electrică utilizând numai piese de schimb identice.** Astfel se asigură menținerea nivelului de siguranță al sculei electrice.
- b) **Nu efectuați niciodată operații de service asupra seturilor de acumulatori deteriorați.** Depanarea acumulatorilor trebuie să fie efectuată numai de producător sau de prestatorii autorizați de servicii.

INSTRUCȚIUNI DE SIGURANȚĂ PENTRU FERĂSTRAIE PENDULAR CU ACUMULATOR

- **Țineți scula electrică de mânerul izolate atunci când executați operații în cursul cărora dispozitivul de fixare poate atinge fire electrice ascunse** (contactul cu un cablu aflat sub tensiune poate electrica componentele metalice ale sculei electrice, existând riscul unui șoc electric pentru operator)
- **Folosiți clame sau alte metode practice pentru a securiza și susține piesa de prelucrat pe o platformă stabilă** (dacă țineți piesa cu mâna sau sprijinită de corp va fi instabilă și puteți pierde controlul asupra ei)

GENERALITĂȚI

- **Nu prelucrați materiale care conțin azbest** (azbestul este considerat a fi cancerigen)
- Această sculă nu trebuie să fie folosită de persoane sub 16 ani
- Când este utilizat, nivelul de zgomot poate depăși 85 dB(A); este necesar să purtați echipament de protecție pentru urechi
- Este necesar să purtați ochelari de protecție când lucrați cu materiale ce produc așchii
- Praful rezultat din materiale precum vopseaua care conține plumb, unele specii de lemn, minerale și metale poate fi periculos (contactul cu praful sau inhalarea acestuia poate provoca reacții alergice și/sau afecțiuni respiratorii operatorului sau persoanelor care stau în apropiere); **purtați o mască de praf și lucrați cu un dispozitiv de extragere a prafului când poate fi conectat**
- Anumite tipuri de praf sunt clasificate ca fiind cancerigene (cum ar fi praful de stejar și fag) în special în combinație cu aditivi pentru tratarea lemnului; **purtați o mască de praf și lucrați cu un dispozitiv de extragere a prafului când poate fi conectat**
- Respectați reglementările naționale referitoare la aspirația prafului în funcție de materialele de lucru folosite
- Scoateți bateria din sculă înainte de a face orice reglaje sau de a schimba accesorii

ÎNAINTEA UTILIZĂRII

- Îndepărtați toate obstacolele aflate deasupra precum și sub traseul de tăiere înainte de a începe tăierea
- Evitați daunele provocate de șuruburi, ținte și alte elemente din timpul lucrului; înlăturați aceste elemente înainte de a trece la acțiune

ÎN TIMPUL FUNCȚIONĂRII

- Țineți mâinile la distanță de pânda de ferăstrău cât timp dispozitivul este în funcțiune

ACCESORII

- SKIL garantează funcționarea perfectă a aparatului numai dacă sunt folosite accesorii originale
- Nu folosiți o pânda de ferăstrău care este crăpată,

deformată sau tocită

DUPĂ UTILIZARE

- Când puneți instrumentul la o parte, deconectați motorul și asigurați-vă că toate elementele mobile și-au oprit complet mișcarea

ACUMULATORII

- **Bateria furnizată este parțial încărcată** (pentru a asigura o capacitate maximă a bateriei, încărcați-o complet utilizând încărcătorul acesteia înainte de a utiliza unealta electrică pentru prima dată)
- **Utilizați numai următoarele baterii și încărcătoare cu această sculă**
 - Baterie SKIL: BR1*31****
 - Încărcător SKIL: CR1*31****
- Nu folosiți bateria dacă aceasta este avariată; ea trebuie înlocuită imediat
- Nu dezasamblați bateria
- Nu expuneți scula/bateria la ploaie
- Temperatura ambientală admisă (instrument/încărcător/acumulator):
 - în timpul încărcării 4...40°C
 - în timpul funcționării -20...+50°C
 - în timpul depozitării -20...+50°C

EXPLICAȚIA SIMBOLURILOR DE PE INSTRUMENT/ BATERIE

- ③ Citiți manual de instrucțiuni înainte de utilizare
- ④ Bateriile vor exploda când sunt aruncate în foc, deci nu ardeți bateriile sub niciun motiv
- ⑤ Depozitați instrumentul / încărcătorul / bateria în locuri în care temperatura nu va depăși 50 °C
- ⑥ Nu aruncați sculele electrice și bateriile direct la pubelele de gunoi

UTILIZAREA

- Încărcarea bateriei
! citiți avertismentele de siguranță și instrucțiunile care au fost furnizate împreună cu încărcătorul
- Scoaterea/instalarea bateriilor ②
- Indicator nivel încărcare acumulator ⑦
 - apăsați butonul indicator al nivelului bateriei H pentru a afișa nivelul curent al bateriei ⑦a
 - ! când nivelul cel mai scăzut al indicatorului bateriei începe să clipească după apăsarea butonului H ⑦b, bateria este descărcată**
 - ! când 2 niveluri ale indicatorului bateriei încep să clipească după apăsarea butonului H ⑦c, bateria nu se află în intervalul de temperatură de funcționare permis**
- Lumină LED ⑬
 - LED-ul B se aprinde automat când activați comutatorul de pornire/oprire
 - ! când lumina de lucru LED începe să lumineze intermitent, protecția bateriei este activată (a se vedea mai jos)**
- Protecția bateriei
Aparatul este oprit brusc sau împiedicat să fie pornit când
 - **sarcina este prea mare** -> îndepărtați sarcina și reporniți
 - **temperatura bateriei nu se încadrează în intervalul admisibil de temperatură de funcționare de la -20 la + 50 °C** -> 2 niveluri ale indicatorului de nivel al bateriei începe să clipească la apăsarea butonului H

⑦c; așteptați până când bateria a revenit în intervalul permis de temperatură de funcționare

- **bateria este aproape descărcată (pentru a proteja împotriva descărcării profunde)** --> un nivel scăzut al bateriei sau un nivel scăzut intermitent al bateriei ⑦b este afișat de indicatorul nivelului bateriei atunci când apăsați butonul H; încărcați bateria

! nu continuați să apăsați comutatorul pornit/oprit după oprirea automată a mașinii; în caz contrar, bateria poate fi deteriorată

- Pornit/oprit ⑧
 - conectați/deconectați aparatul, prin împingerea comutatorului a în poziția "I/O"
- Speed control ⑨
 - cu cadranul rotativ F viteza dorită de tăiere poate fi selectată
 - viteza de lucru optimă depinde de material și poate fi stabilită prin teste practice
 - Cu cadranul rotativ F setat la „A” viteza fără sarcină este redusă pentru pornirea controlată
 - la tăiere, viteza va crește automat la viteza maximă
 - ! scula va reveni numai la viteza redusă fără sarcină după repornire**
- Schimbarea pânzei de ferăstrău ⑩
 - ! scoateți bateria din scula înainte de a face orice reglaje sau de a schimba accesorii**
 - ! introduceți pânza pe toată adâncimea, cu dinții ei spre partea din față ⑪**
 - aparatul acceptă cele mai uzuale pânze cu coada în formă de T ⑩
 - pentru a scoate lama utilizați numai maneta clemei lamei C (nu este nevoie să atingeți lama)
- Tăierea la 45° ⑫
- Selectarea modului de tăiere ⑬
 - Folosiți maneta D pentru ajustarea acțiunii orbitale de la tăierea exactă (= 0) la tăierea rapidă (= 3)
 - 1 poziție ("0") pentru o tăiere precisă în toate materialele, tăieturi în linie dreaptă + curbă
 - 3 poziții pentru o tăiere rapidă în diferite materiale, numai tăieturi în linie dreaptă
 - 1 = aluminiu, plastic
 - 2 = lemn tare
 - 3 = lemn moale
 - ! selectați întotdeauna "0" atunci când ferăstruiți material ce poate produce așchii**
- Aspirarea a prafului ⑮
 - conectați adaptorul aspiratorului J la placa de bază
 - conectați furtunul aspiratorului la adaptorul aspiratorului J
 - ! nu folosiți aspiratorul atunci când tăiați metal**
- Utilizarea sculei
 - înainte de a porni dispozitivul, asigurați-vă că partea din față a plăcii de bază e așezată plat peste materialul la care lucrați
 - țineți strâns dispozitivul cu ambele mâini, astfel încât să aveți tot timpul un control total asupra lui
 - ! în timp ce lucrați, țineți întotdeauna scula de zonă (zonele) de prindere colorate gri ⑯**
 - asigurați-vă că întreaga suprafață a plăcii de bază stă ferm pe materialul la care lucrați
 - ! asigurați-vă că pânza s-a oprit complet din mișcare înainte de a ridica scula de pe piesa de prelucrat**
 - mențineți fantele de ventilație G ② neacoperite

SFATURI PENTRU UTILIZARE

- Folosiți pânzele de ferăstrău corespunzătoare ⑰
 - ! aparatul acceptă cele mai uzuale pânze cu coada în formă de T**
- Când tăiați metale, ungeți în mod regulat pânza de ferăstrău cu ulei
- Înainte de a face decupări, faceți o perforație ⑱
- Tăiere fără așchii
 - acoperiți linia de tăiere, înainte de a tăia, cu câteva straturi de bandă adezivă lată
 - puneți întotdeauna materialul la care lucrați cu fața în jos
- Pentru mai multe informații, consultați www.skil.com

ÎNTREȚINERE/SERVICE

- Această sculă nu este destinată utilizării profesionale
- Păstrați întotdeauna aparatul curat (mai ales fantele de ventilație G ②)
 - ! scoateți bateria din scula electrică înainte de curățare**
- Dacă în ciuda procedeelelor de fabricație și control riguroase scula are totuși o pană, repararea acesteia se va face numai la un atelier de asistență service autorizat pentru scule electrice SKIL
 - trimiteți scula în **totalitatea** lui cu bonul de cumpărare la distribuitorul sau la centrul de service SKIL cel mai apropiat (adrese și diagrame de service se găsesc la www.skil.com)
 - Trebuie să fiți conștienți de faptul că deteriorarea datorată supra-sarcinii sau utilizării incorecte a sculei va duce la excluderea din garanție (pentru condițiile de garanție SKIL consultați www.skil.com sau întrebați distribuitorul)

MEDIUL

- **Nu aruncați sculele electrice, bateriile, accesoriile sau ambalajele direct la pubelele de gunoi** (numai pentru țările din Comunitatea Europeană)
 - Directiva Europeană 2012/19/EC face referire la modul de aruncare a echipamentelor electrice și electronice și modul de aplicare a normelor în conformitate cu legislația națională; sculele electrice în momentul în care au atins un grad avansat de uzură și trebuie reciclate, ele trebuie colectate separat și reciclate într-un mod ce respectă normele de protecție a mediului înconjurător
 - simbolul ⑥ vă va reaminti acest lucru
 - ! înainte aruncare protejați terminalele bateriei cu lentă protectoare pentru a preîntâmpina scurtcircuitul**

ZGOMOT / VIBRAȚII

- Măsurat în conformitate cu EN62841, nivelul de presiune acustică al acestui instrument este 87 dB (A) și nivelul de putere acustică 98 dB (A) (incertitudine K = 3 dB) și vibrația* (suma vectorului triax; incertitudinea K = 1,5 m/s²)
 - * placă de tăiat 7,68 m/s²
 - * tăierea foilor metalice 6,08 m/s²
- Nivelul emisiilor de vibrații a fost măsurat în conformitate cu un test standardizat dat în EN62841; poate fi folosit pentru a compara un instrument cu altul și ca o evaluare

preliminara a expunerii la vibratii atunci kada se utilizeaza scula pentru aplicatiile mentionate

- utilizarea sculei pentru aplicatii diferite sau cu accesorii diferite si prost intretinute poate **creste** semnificativ nivelul de expunere

- momentele in care scula este oprita sau kada funczioneaza dar nu executa nicio lucrare, pot **reduce** semnificativ nivelul de expunere

! protejati-va impotriva efectelor vibratiilor prin intretinerea sculei si a accesorii sale, pastrand mainile calde si organizand procesele de lucru

BG

**Безчетков компактен
прободен трион**

3440

УВОД

- Този електроинструмент е предназначен за правене на разрези и прорези в дърво, пластмаса, метал и е подходящ за прави и извити разрези под ъгъл до 45°
- Този инструмент не е предназначен за професионална употреба
- Ако някои части липсват или са повредени, моля, свържете се със своя търговец
- Прочетете внимателно това ръководство преди употреба и го запазете за справки в бъдеще ③
- Обърнете специално внимание на инструкциите за безопасност и предупрежденията; неспазването им може да доведе до сериозно увещане

ТЕХНИЧЕСКИ ДАННИ ①

ЕЛЕМЕНТИ НА ИНСТРУМЕНТА ②

- A Ключ за включване/изключване
- B Светодиодна светлина
- C Сноба за ножа без инструменти
- D Лост за орбитален контрол
- E Опорна планка
- F Колело за регулиране на скоростта на рязане
- G Вентилационни отвори
- H Бутон за индикация на нивото на батерията
- J Адаптер за прахосмукачка
- K Шестостепенен ключ

БЕЗОПАСНОСТ

ОБЩИ ПРЕДУПРЕЖДЕНИЯ ЗА БЕЗОПАСНОСТ НА ЕЛЕКТРИЧЕСКИ ИНСТРУМЕНТИ

! **ПРЕДУПРЕЖДЕНИЕ** Прочетете всички предупреждения за безопасност, инструкции, илюстрации и спецификации предоставени с този електрически инструмент. Неспазването на всички инструкции изброени долу може да доведе до токов удар, пожар и/или сериозно нараняване.

Запазете всички предупреждения и инструкции за бъдеща справка.

Терминът “електрически инструмент” в предупрежденията се отнася до захранвани от мрежата (кабелни) електрически инструменти или захранвани чрез батерия (безкабелни) електрически инструменти.

1) БЕЗОПАСНОСТ В РАБОТНАТА ЗОНА

- а) Поддържайте работната зона чиста и добре осветена.** Разхвърляни или тъмни работни зони пораждаат инциденти.
- б) Не работете с електрически инструменти в експлозивна атмосфера, като например в присъствието на запалими течности, газ или прах.** Електрическият инструмент създава искра, която може да възпламени праха или изпаренията.
- в) Дръжте на разстояние децата и страничните лица, докато работите с електрически инструмент.** Разсейването може да причини загуба на контрол.

2) ЕЛЕКТРИЧЕСКА БЕЗОПАСНОСТ

- а) Щепселите на електрическия инструмент трябва да съответстват на контакта. Никога не модифицирайте щепсела по канъвто и да е начин. Не използвайте канъвто и да е адаптер със заземени електрически инструменти.** Немодифицираните щепсели и съответстващите контакти ще намалят риска от електрически шок.
 - б) Избягвайте контакт на тялото със заземени повърхности, като тръби, радиатори, нухненски печни и хладилници.** Съществува повишена опасност от токов удар, ако тялото Ви е заземено.
 - в) Не излагайте електрическите инструменти на дъжд или влажни условия.** Навлизането на вода в електрическия инструмент ще увеличи риска от токов удар.
 - д) Не злоупотребявайте с кабела. Никога не използвайте кабела за пренасяне, изтегляне или изключване от контакта на електрическия инструмент. Дръжте кабела настрана от топлина, масло, остри ръбове или движещи се части.** Повредени или оплетени кабели увеличават риска от електрически удар.
 - е) Когато работите с електрически инструмент на открито, използвайте удължителен кабел подходящ за употреба на открито.** Употребата на кабел подходящ за употреба на открито намалява риска от електрически удар.
 - ф) Ако работата с електрическия инструмент на влажно място е неизбежна, използвайте захранване с дефетнотонова защита (RCD).** Употребата на RCD намалява риска от токов удар.
- ### 3) ЛИЧНА БЕЗОПАСНОСТ
- а) Внимавайте, гледайте канво правите и използвайте здрав разум, когато работите с електрически инструмент. Не използвайте електрически инструмент, когато сте уморени или когато сте под влияние на наркотици, алкохол или лекарства.** Момент невнимание по време на работата с електрически инструмент, може да доведе до сериозно лично нараняване.
 - б) Използвайте лични предпазни средства. Винаги носете защита за очите.** Защитно оборудване като прахови маски, не плъзгащи се безопасно обувки, твърда каска или защита за слуха използвана при

подходящи условия ще намали риска от лични наранявания.

- c) **Предотвратете непреднамерено пускане. Уверете се, че ключът е в изключена позиция, преди да свържете към захранване и/или батерия, повдигайки или носейки инструмента.** Носейки инструмента, докато пръстът ви е на спусъка или подаването на захранване на инструменти, които са с включен прекъсвач е предпоставка за инциденти.
- d) **Извадете всеки регулиращ ключ или гаечен ключ, преди да включите захранването.** Гаечен или друг ключ оставен закачен към въртящите се части на електрическия инструмент, може да доведе до лично нараняване.
- e) **Не се протягайте. Запазете правилна стойка и баланс по всяко време.** Това позволява по-добър контрол върху електрическия инструмент в непредвидени ситуации.
- f) **Облечете се подходящо. Не носете отпуснати дрехи или бижута. Дръжте косата и дрехите си далеч от движещи се части.** Отпуснати дрехи, бижута или дълга коса, могат да бъдат хванати в движещите се части.
- g) **Ако са предоставени устройства за свързване на прахоуловител или съоръжения за събиране, уверете се, че те са свързани и са правилно използвани.** Употребата на устройства за събиране на прах може да намали рисковете свързани с прах.
- h) **Не позволявайте на рутинността придобита от честата употреба на инструмента да позволи да станете небрежни и да игнорирате принципите за безопасност на инструмента.** Небрежно действие може да причини сериозно нараняване за части от секундата.
- 4) **УПОТРЕБА И ГРИЖА ЗА ЕЛЕКТРИЧЕСКИЯ ИНСТРУМЕНТ**
 - a) **Не пресилвайте електрически инструмент. Използвайте правилния електрически инструмент за вашата работа.** Правилният електрически инструмент може да свърши работата по-добре и по-безопасно при капацитета за който е проектиран.
 - b) **Не използвайте електрическия инструмент ако ключът не го включва или изключва.** Всеки електрически инструмент, който не може да бъде контролиран от ключа е опасен и трябва да бъде поправен.
 - c) **Разкачете щепсела от захранването и/или извадете батерията, ако може да се извади, от електрическия инструмент, преди да извършите настройки, смяна на аксесоари или съхраняване на инструментите.** Подобни превантивни мерки за безопасност намаляват риска от стартиране на електрическия инструмент инцидентно.
 - d) **Дръжте свободния електрически инструмент извън достъпа до деца и не позволявайте хора, които не са запознати с електрическия инструмент или тези инструкции да работят с него.** Електрическите инструменти са опасни в ръцете на необучени потребители.
 - e) **Поддръжка на електрически инструменти и аксесоари. Проверете за разместване или блокиране на подвижни части, счупване на**

части, и всякакви други условия, които могат да повлияят на работата на електрическия инструмент. При повреда ремонтирайте инструмента преди употреба. Много инциденти са причинени от лошо поддържани електрически инструменти.

- f) **Дръжте режещите инструменти остри и чисти.** Правилно поддържани режещи инструменти, с остри режещи ръбове е по-малко вероятно да се заклещат и по-лесно се контролират.
- g) **Използвайте електрическия инструмент, аксесоарите, частите на инструмента и т.н в съответствие с тези инструкции, като вземете предвид условията на работа и вида работа, която ще бъде извършвана.** Употребата на електрическия инструмент за дейности различни от предназначенията може да доведе до опасни ситуации.
- h) **Дръжте ръкохватките и повърхностите за захващане сухи, чисти и без масло и грес.** Хлъзгавите ръкохватки и места за захващане не позволяват безопасно боравене и контролиране на инструмента при неочаквана ситуация.
- 5) **УПОТРЕБА И ГРИЖА ЗА ИНСТРУМЕНТ С БАТЕРИЯ**
 - a) **Презареждайте само със зарядното устройство определено от производителя.** Зарядно устройство, което е подходящо за един вид акумулаторна батерия може да създаде опасност от пожар, когато се използва с друга акумулаторна батерия.
 - b) **Използвайте електрически инструменти само със специфично обозначени акумулаторни батерии.** Използването на всяка друга акумулаторна батерия може да създаде риск от нараняване и пожар.
 - c) **Когато акумулаторните батерии не са в употреба ги дръжте на разстояние от други метални обекти, като кламери, монети, ключове, пирони, отвертки или други малки метални предмети, които могат да направят свързване между клемите.** Свързване на късо на клемите на батерията може да причини изгаряне или пожар.
 - d) **При условия на злоупотреба, може да се изхвърли течност от батерията. Избягвайте контакт с очите, потърсете допълнително медицинска помощ.** Течността изхвърлена от батерията може да причини раздразнение или изгаряния.
 - e) **Не използвайте акумулаторна батерия или инструмент, които са повредени или модифицирани.** Повредените или модифицираните батерии може да проявят непредсказуемо поведение, което да доведе до пожар, експлозия или риск от нараняване.
 - f) **Не излагайте батерията или инструмента на огън или прекомерна температура.** Излагане на огън или температури над 130 °C може да причини експлозия.
 - g) **Следвайте всички инструкции за зареждане и не зареждайте батерията или инструмента извън температурния обхват зададен в инструкциите.** Неправилното зареждане или зареждане извън

определения температурен обхват може да повреди батериите и да повиши риска от пожар.

6) ОБСЛУЖВАНЕ

- a) **Обслужвайте вашия електрически инструмент чрез квалифициран техник, като използвате само идентични резервни части.** Това ще осигури поддържането на безопасност не електрическият инструмент.
- b) **Никога не поправяйте повредени акумулаторни батерии.** Ремонтът на акумулаторни батерии трябва да бъде извършван от производителя или оторизиран сервиз.

ИНСТРУКЦИИ ЗА БЕЗОПАСНОСТ ПРИ РАБОТА С БЕЗНАБЕЛЕН ПРОБОДЕН ТРИОН

- **Дръжте електроринструмента за изолирани захващащи повърхности при изпълняване на операция, при която скрепителният елемент може да влезе в контакт със скрито онабеляване** (скрепителни елементи в контакт с „жив“ електрически проводник могат да направят изложените метални части на електроринструмента „живи“ и да причинят електрически удар у оператора)
- **Използвайте затягащи приспособления или друг практичен начин за обезопасяване и закрепване на обработвания детайл към стабилна основа** (държането на обработвания детайл с ръка или опряно д тялото го прави нестабилен и може да доведе до загуба на контрол)

ОБЩИ

- **Не обработвайте съдържащ азбест материал** (азбестът е канцерогенен)
- Този инструмент не трябва да се използва от лица под 16 години
- При работа нивото на шума може да надвиши 85 dB(A); носете анттифони
- Когато работите с материали, отделящи стружки, носете защитни очила
- Прахът от някои материали, като например съдържаща олово боя, някои видове дървесина, минерали и метали може да бъде вреден (контакт или вдишване на такъв прах могат да причинят алергични реакции и/или респираторни заболявания на оператора или стоящите наблизо лица); **използвайте противопрахова маска и работете с аспириращо праха устройство, когато такова може да бъде свързано**
- Определени видове прах са класифицирани като карциногенни (като прах от дъб и бук) особено когато са комбинирани с добавки за подобряване на състоянието на дървесината; **използвайте противопрахова маска и работете с аспириращо праха устройство, когато такова може да бъде свързано**
- Следвайте дефинираните по БДС изисквания относно запрашеността за материалите, които желаете да обработвате
- Изваждайте батериите от инструмента преди всякакви регулировки или смяна на принадлежности

ПРЕДИ УПОТРЕБА

- Премахнете всички препятствия върху повърхността, а също и под пътя на рязане, преди да започнете рязането

- Избягвайте повреди, които могат да бъдат причинени от винтове, гвоздеи и други метални елементи в обработвания детайл; отстранете ги преди да започнете работа

ПРИ УПОТРЕБА

- Когато електроринструментът работи, пазете ръцете си от режещата лента

АНКЕСОАРИ

- SKIL може да осигури безаварийна работа на електроринструмента само ако се използват оригинални допълнителни приспособления
- Не използвайте режеща лента, която е напукана, деформирана или затъпена

СЛЕД РАБОТА

- Преди да приберете инструмента, изключете мотора и се уверете, че всички движещи се части са преустановили движението

АНУМУЛАТОРНИ БАТЕРИИ

- **Доставената в комплекта батерия е частично заредена** (за да осигурите пълен капацитет на батерията, заредете напълно батерията в зарядното устройство за батерия, преди да използвате вашия електроринструмент за първи път).
- **Използвайте само следните батерии и зарядни устройства с този инструмент**
 - SKIL батерия: BR1*31****
 - SKIL зарядно устройство: CR1*31****
- Не използвайте неизправна батерия; незабавно я заменете
- Не разглобявайте батерията
- Не излагайте на дъжд инструмента/батерията
- Допустима околна температура (инструмент/ зарядното устройство/батерия):
 - при зареждане 4...40°C
 - по време на работа -20...+50°C
 - при съхраняване -20...+50°C

ОБЪСНЕНИЕ НА СИМВОЛИТЕ ПО ИНСТРУМЕНТА/ АКУМУЛАТОРНАТА БАТЕРИЯ

- ③ 3 Преди употреба прочетете ръководството с указания
- ④ Хвърлен в огън, акумулаторът ще експлодира, така че не изгаряйте акумулатора по каквато и да е причина
- ⑤ Съхранявайте инструмента/зарядното устройство/ батерията в помещението при температури, не по-високи от 50°C
- ⑥ Не изхвърляйте електроуредите и батерии заедно с битови отпадъци

УПОТРЕБА

- Зареждане на акумулаторната батерия
! прочетете предупрежденията и инструкциите за безопасност, доставени със зарядното устройство
- Изваждане/инсталиране на батерията ②
- Индикатор за нивото на заряд на батерията ⑦
 - натиснете бутон а за индикатора на нивото на заряд на батерията Н за показване на текущото ниво на заряд на батерията ⑦а
 - ! Когато най-нисокото ниво на индикатора за батерията започне да мига след натискане на бутон а Н⑦b, батерията е разредена**
 - ! Когато 2 нива на индикатора на батерията започнат да мигат след натискане на бутон а**

H7c, батерията не е в допустимия работен температурен диапазон

- LED светлина ¹⁴
 - Светодиодът В светва автоматично, когато се активира превключвателят за включване/изключване.
- ! **когато светодиодната работна светлина започне да мига, защитата на батерията е активирана (вижте по-долу)**
- Защита на батерията
Инструментът внезапно се изключва или не позволява да се включи, когато
 - **натоварването е прекалено голямо** -> премахнете натоварването и рестартирайте
 - **температурата на батерията е извън допустимия работен температурен диапазон от -20 до +50°C** --> 2 нива на индикатора за заряд на батерията започват да мигат, когато натискате бутона H7c; изчакайте, докато батерията си възвърне допустимия работен температурен диапазон
 - **батерията е почти празна (за предпазване срещу пълно разреждане)** --> ниско ниво на батерията или мигащо ниско ниво на батерията ^{7b} е показано чрез индикатора за заряд на батерията, когато натискате бутона K; заредете батерията
- ! **след автоматичното изключване на инструмента не продължавайте да натискате спусъка, понеже може да се повреди акумулаторът**
- Включване/изключване ⁸
 - включвайте/изключвайте инструмента чрез превключване на ключа А в позиция "I/O"
- Регулатор на скоростта ⁹
 - с колело за регулиране F може да се избере желаната скорост на рязане
 - Оптималната работна скорост зависи от материала и може да бъде определена с практически опити
 - Когато колелото за регулиране F е настроено на "А", скоростта без натоварване се намалява за контролирано стартиране
 - при рязане скоростта автоматично ще се увеличи до пълна скорост
- ! **инструментът ще се върне към намалената скорост без натоварване само след рестартиране**
- Смяна на режещия нож ¹⁰
 - ! **изваждайте батерията от инструмента преди всякакви регулировки или смяна на принадлежности**
 - ! **внарайте ножа пълно до долу с насочени напред зъби ¹¹**
 - инструментът поема повечето налични ножове с Т-образна опашка ¹⁰
 - за да извадите ножа, използвайте само лоста на скобата на ножа С (няма нужда да докосвате ножа)
- Рязане под ъгъл 45° ¹²
- Избор на режим на рязане ¹³
 - Използвайте лост D за регулиране на орбиталното действие от прецизно рязане (= 0) до бързо рязане (= 3)
 - 1 комплект ("0") за точно рязане на всякакви материали, прави + извити разрези

- 3 настройки за бързо рязане на различни материали, само прави разрези
- 1 = алуминий, пластмаса
- 2 = твърдо дърво
- 3 = меко дърво
- ! **винаги избирайте "0", когато режете податливи на разцепване материали**
- Изсмукване на праха ¹⁵
 - свържете адаптера за прахосмукачка J към опорната планка
 - свържете маркуча на прахосмукачката към адаптера за прахосмукачка J
- ! **не използвайте прахосмукачката, когато режете метал**
- Работа с инструмента
 - преди да включите електроинструмента, се уверете, че предния край на опорната пластина е легнал добре върху обработвания детайл
 - дръжте електроинструмента здраво с двете ръце, така че по всяко време да имате пълен контрол върху него
- ! **по време на работа, винаги дръжте инструмента за оцветената в сиво област(и) за хващане ¹⁶**
- цялата повърхност на опорната пластина трябва да лежи плътно върху обработвания детайл
- ! **преди да вдигнете инструмента от детайла се уверете, че ножът е в пълен поной**
- оставете вентилационните отвори G ² непокрити

УКАЗАНИЯ ЗА РАБОТА


- Използвайте подходящи режещи ножове ¹⁷
 - ! **инструментът поема повечето налични ножове с Т-образна опашка**
- При рязане на метали смазвайте редовно режещата лента с машинно масло
- Преди да правите прорези, предварително пробийте отвор ¹⁸
- Рязане без разцепване
 - преди рязане покрийте линията на разреза с няколко слоя широка лепилна лента
 - лицевата страна на обработвания детайл винаги трябва да сочи надолу
- За повече информация вижте www.skil.com

ПОДДРЪЖКА/СЕРВИЗ

- Този инструмент не е предназначен за професионална употреба
- Винаги поддържайте инструмента чист (особено вентилационните отвори G ²)
 - ! **извадете батерията от инструмента преди почистване**
- Ако въпреки прецизното производство и внимателно изпитване възникне повреда, инструмента да се занесе за ремонт в оторизиран сервиз за електроинструменти на SKIL
 - занесете инструмента в **неразглобен** вид заедно с доказателство за покупката му в търговския обект, откъдето сте го закупили, или в най-близкия сервиз на SKIL (адресите, както и схемата за сервизно обслужване на електроинструмента, можете да намерите на адрес www.skil.com)
 - Имайте предвид, че повреда поради претоварване

или неправилно манипулиране с инструмента ще бъдат изключени от гаранцията (за условията на гаранцията от SKIL виж на интернет адрес: www.skil.com или попитайте вашия дилър)

ОПАЗВАНЕ НА ОКОЛНАТА СРЕДА

- **Не изхвърляйте електроуредите, батерии, приспособленията и опаковките заедно с битови отпадъци** (само за страни от ЕС)
 - съобразно Директивата на ЕС 2012/19/ЕО относно износени електрически и електронни уреди и отразяването ѝ в националното законодателство износените електроуреди следва да се събират отделно и да се предават за рециклиране според изискванията за опазване на околната среда
 - символът  ще ви напомни за това, когато е необходимо изхвърляне
- ! **преди да изхвърлите батерията, защитете изводите ѝ с дебела лепенка, за да няма опасност от възникване на късо съединение**

ШУМ / ВИБРАЦИИ

- Измерено в съответствие с EN62841, нивото на звуковото налягане на този инструмент е 87 dB(A), а нивото на звуковата мощност 98 dB(A) (неопределеност K = 3 dB), и вибрацията * (триаксиална векторна сума; неопределеност K = 1,5 m/s²)
 - * при рязане на дъска 7,68 m/s²
 - * рязане на ламарина 6,08 m/s²
- Нивото на предадените вибрации е измерено в съответствие със стандартизирания тест, определен в EN62841; то може да се използва за сравнение на един инструмент с друг и като предварителна оценка на подлагането на вибрации при използването на инструмента за посочените приложения
 - използването на инструмента за различни от тези приложения или с други, или лошо поддържани аксесоари може значително да повиши нивото, на което сте подложени
 - периодите от време, когато инструмента е изключен или съответно включен, но с него не се работи в момента могат значително да намалят нивото на което сте подложени
- ! **предпазвайте се от ефектите от вибрациите, като поддържате инструмента и аксесоарите му, пазите ръцете си топли и организирате вашите модели на работа**

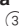
SK

**Безконтактна компактна
приамочиара пила**

3440

УВОД

- Toto náradie je určené na vytváranie rezov a výrezov do dreva, plastu, kovu a gumy a je vhodné na priame a zakrivené rezy s pokosovým uhlom do 45 °
- Toto náradie nie je vhodné pre profesionálne použitie
- Ak sú niektoré súčasti poškodené, alebo chýbajú, obráťte sa na vášho predajcu

- **Pred použitím si dôkladne prečítajte tento návod a uschovajte si ho pre prípad potreby v budúcnosti** 
- **Zvlášť venujte pozornosť bezpečnostným pokynom a upozorneniam; nedodržanie týchto pokynov môže spôsobiť vážne zranenie**


TECHNICKÉ ÚDAJE

ČASTI NÁRADIA

- A Hlavný vypínač
- B LED svetlo
- C Beznástrojová svorka na pilový list
- D Orbitálna ovládacia páka
- E Základňa pätky
- F Koliesko na nastavovanie rýchlosti pílenia
- G Vetracie štrbiny
- H Tlačidlo kontrolky stavu akumulátora
- J Adaptér na vysávač
- K Imbusový kľúč

BEZPEČNOSŤ

VŠEOBECNÉ BEZPEČNOSTNÉ UPOZORNENIA PRE ELEKTRICKÉ NÁRADIE

 **VAROVANIE** Prečítajte si všetky bezpečnostné výstrahy, pokyny, ilustrácie a technické údaje dodané s týmto elektrickým nástrojom. Nedodržanie nižšie uvedených pokynov môže mať za následok úraz elektrickým prúdom, požiar a/alebo vážne zranenie.

Všetky varovania a pokyny si ponechajte pre prípadnú potrebu v budúcnosti.

Termín „elektrické náradie“ vo varovaniach znamená- váš elektrický prístroj zapojený (cez kábel) do prívodu elektrickej energie alebo napájaný (bezdrôtovo) z akumulátora.

1) BEZPEČNOSŤ PRACOVISKA

- Udržiavajte pracovisko čisté a dobre osvetlené.** Neporiadok alebo tmavé miesta spôsobujú nehody.
- Nepoužívajte elektrické náradie vo výbušnom prostredí, napríklad v prítomnosti horľavých kvapalín, plynov alebo prachu.** Elektrické náradie je zdrojom iskrenia, ktoré môže zapáliť prach alebo výpary.
- Pri používaní elektrického náradia udržiavajte deti a okolostojace osoby mimo pracoviska.** Rozptyľovanie pozornosti môže viesť ku strate kontroly.

2) ELEKTRICKÁ BEZPEČNOSŤ

- Zástrčka elektrického náradia musí zodpovedať elektrickej zásuvke. Nikdy a žiadnym spôsobom nemodifikujte zástrčku. Nepoužívajte žiadne rozbočovacie zástrčky s uzemneným elektrickým náradím.** Neupravené zástrčky a vhodné zásuvky obmedzia nebezpečenstvo úrazu elektrickým prúdom.
- Zabráňte kontaktu tela s uzemnenými povrchmi, ako sú rúry, radiátory, sporáky a chladničky.** Dochádza k zvýšeniu rizika úrazu elektrickým prúdom, ak je vaše telo uzemnené.
- Chráňte elektrické náradie pred dažďom a vlhkým prostredím.** Vniknutie vody do elektrického náradia zvyšuje riziko úrazu elektrickým prúdom.

- d) **Nepoužívajte kábel nesprávnym spôsobom. Nepoužívajte ho na prenášanie, ťahanie alebo odpájanie elektrického náradia. Udržujte kábel v dostatočnej vzdialenosti od zdrojov tepla, oleja, ostrých hrán alebo pohyblivých častí. Poškodené alebo zamotané káble zvyšujú riziko úrazu elektrickým prúdom.**
- e) **Ak sa chystáte náradie použiť v exteriéroch, použite výhradne predlžovaciu šnúru vhodnú na použitie v exteriéroch. Použitie šnúry vhodnej pre použitie v exteriéroch znižuje riziko úrazu elektrickým prúdom.**
- f) **Ak je používanie elektrického náradia vo vlhkom prostredí nevyhnutné, použite napájanie chránené prúdovým chráničom (RCD). Použitie prúdového chrániča znižuje riziko úrazu elektrickým prúdom.**
- 3) BEZPEČNOSŤ OSÔB**
- a) **Bud'te pozorní, sledujte to, čo robíte a používajte zdravý rozum pri práci s elektrickým náradím. Nepoužívajte elektrické náradie, ak ste unavení alebo pod vplyvom drog, alkoholu alebo liekov. Chvilková nepozornosť pri práci s elektrickým náradím môže mať za následok vážne zranenie.**
- b) **Používajte osobné ochranné pomôcky. Vždy používajte ochranu očí. Ochranné prostriedky, ako napríklad maska proti prachu, protišmyková obuv, ochranná prilba alebo chrániče sluchu používané v príslušných podmienkach, znižia riziko poranenia osôb.**
- c) **Zabráňte neúmyselnému uvedeniu do prevádzky. Pred pripojením k zdroju napájania a/alebo akumulátoru, pri zdvíhaní alebo prenášaní náradia sa uistite, že prepínač je vo vypnutej polohe. Prenášanie elektrického náradia s prstom na vypínači alebo aktivácia elektrického náradia, ktoré má zapnutý vypínač, môže viesť k úrazu.**
- d) **Pred spustením náradia vždy odstráňte nastavovací klin alebo kľúč. Kľúč alebo klin, ktorý necháte pripevnený k otáčajúcej sa časti elektrického náradia, môže spôsobiť zranenie osôb.**
- e) **Nepreceňujte sa. Pri práci vždy dodržujte správny postoj a rovnováhu. To umožňuje lepšiu ovládateľnosť náradia v nečakaných situáciách.**
- f) **Noste vhodné oblečenie. Nenoste šperky alebo voľný odev. Udržujte vlasy a oblečenie mimo dosah pohyblivých častí. Voľný odev, šperky alebo dlhé vlasy môžu byť zachytené pohyblivými časťami dielmi.**
- g) **Pokiaľ je náradie vybavené zariadením na zachytávanie prachu a úlomkov materiálu, skontrolujte, či je k náradiu správne pripevnené. Použitie odsávania prachu môže znížiť nebezpečenstvo, ktoré súvisí s prachom.**
- h) **Nedovoľte, aby ste sa po získaní skúseností častým používaním náradia stali neobozretnými a ignorovali zásady bezpečnosti. Nedbalá činnosť môže spôsobiť vážne zranenie za zlomok sekundy.**
- 4) POUŽITIE ELEKTRICKÉHO NÁRADIA A STAROSTLIVOSŤ**
- a) **Stroj nepreťažujte. Používajte správny typ náradia určený na danú prácu. Náradie bude pracovať lepšie a bezpečnejšie pri rýchlosti, na ktorú bolo navrhnuté.**
- b) **Nepoužívajte elektrické náradie, ak sa nedá zapnúť a vypnúť použitím vypínača. Akékoľvek elektrické náradie, ktoré sa nedá ovládať vypínačom je nebezpečné a musí sa opraviť.**
- c) **Pred akýmikoľvek úpravami, výmenou príslušenstva alebo uskladnením elektrického nástroja odpojte zástrčku od zdroja napájania a/alebo vyberte z nástroja akumulátor, ak je odpojitelný. Takéto preventívne a bezpečné opatrenia znižujú riziko náhodného spustenia elektrického náradia.**
- d) **Uchovávajte nepoužívané elektronáradie mimo dosahu detí a nedovoľte, aby osoby neoboznamené s elektrickým náradím alebo s týmito pokynmi náradie používali. Elektrické náradie je nebezpečné v rukách neskúsených používateľov.**
- e) **Udržujte elektrické náradie a príslušenstvo. Skontrolujte nastavenie pohyblivých častí, poškodenie dielov a akékoľvek ďalšie okolnosti, ktoré môžu mať vplyv na funkciu elektrického náradia. Ak je elektrické náradie poškodené, nechajte ho pred použitím opraviť. Veľa úrazov je zapríčinených zle udržiavaným náradím.**
- f) **Strihacie náradie udržiavajte ostré a čisté. Starostlivo ošetrované strihacie náradie s ostrými čepeľami menej pravdepodobne uviazne a jednoducho sa ovláda.**
- g) **Používajte elektronáradie, príslušenstvo, náklady apod. podľa týchto pokynov a rešpektujte pritom pracovné podmienky a vykonávanú činnosť. Použitie elektrického náradia na iné ako určené účely môže viesť k nebezpečným situáciám.**
- h) **Udržujte rukoväte a uchopovacie plochy suché, čisté, bez oleja a maziva. Klzké držadlá a uchopovacie plochy neumožňujú bezpečnú manipuláciu s náradím a jeho ovládanie v nečakaných situáciách.**
- 5) POUŽÍVANIE A STAROSTLIVOSŤ O NÁRADIE NA AKUMULÁTOR**
- a) **Nabíjajte len pomocou nabíjačky špecifikovanej výrobcom. Nabíjačka, ktorá je vhodná pre jeden typ akumulátora, môže predstavovať pri nabíjaní iného typu akumulátora nebezpečenstvo.**
- b) **Používajte elektrické náradie iba s výslovne určenými akumulátormi. Použitie iných typov akumulátorov môže spôsobiť riziko úrazu a požiaru.**
- c) **Ak sa akumulátor nepoužíva, držte ho mimo iných kovových predmetov, ako sú sponky, mince, kľúče, klince, skrutkovače alebo iné malé kovové predmety, ktoré by mohli navzájom prepojiť kontakty akumulátora. Skratovanie kontaktov akumulátora môže spôsobiť popálenie alebo požiar.**
- d) **Za nevhodných podmienok môže z akumulátora uniknúť kvapalina. Zabráňte kontaktu. Pri náhodnom kontakte opláchnite vodou. Pri zasiahnutí očí vyhľadajte lekársku pomoc. Unikajúca kvapalina z akumulátora môže spôsobiť podráždenie pokožky alebo popálenie.**
- e) **Nepoužívajte akumulátor alebo nástroj, ktorý je poškodený alebo upravený. Poškodené alebo upravené akumulátory môžu mať nepredvídateľné chovanie, ktoré môže viesť k požiaru, výbuchu alebo nebezpečenstvu poranenia.**
- f) **Nevystavujte akumulátor ani nástroj ohňu alebo nadmernej teplote. Pri vystavení ohňu alebo teplote nad 130 ° C môže dôjsť k výbuchu.**
- g) **Dodržujte všetky pokyny pre nabíjanie a nenabíjajte akumulátor alebo náradie mimo teplotného rozsahu uvedeného v pokynoch. Nesprávne nabíjanie alebo nabíjanie pri teplotách mimo stanovený rozsah môže**

poškodí akumulátor a zvýší riziko požiaru.

6) SERVIS

- a) **Náradie zverte do opravy kvalifikovanej osobe, ktorá použije iba originálne náhradné diely.** Zabezpečíte tak zachovanie bezpečnosti elektrického náradia.
- b) **Nikdy neopravujte poškodené akumulátory.** Servis akumulátorov smie robiť iba výrobca alebo autorizovaní servisní poskytovatelia.

BEZPEČNOSTNÉ POKYNY PRE AKUMULÁTOROVÉ PRIAMOČIARE PÍLY

- **Elektrické náradie držte za izolované plochy rukovätí pri vykonávaní takej práce, pri ktorej by mohol nástroj natrafiť na skryté elektrické vedenia** (kontakt uťahovača s vedením, ktoré je pod napätím, môže spôsobiť, že aj kovové súčiastky náradia sa dostanú pod napätie, čo môže spôsobiť zásah operátora elektrickým prúdom)
- **Obrábaný predmet upevnite svorkami alebo iným praktickým spôsobom k stabilnému podstavcu** (obrábaný predmet nedržte iba v rukách ani oproti telu, pretože tak nemôžete zabezpečiť jeho stabilitu a môže sa vám vymknúť spod kontroly)

VŠEOBECNE

- **Neobrábajte materiál, ktorý obsahuje azbest** (azbest sa považuje za rakovinotvorný materiál)
- Tento nástroj nesmú používať osoby mladšie ako 16 rokov
- Hlasitosť zapnutého prístroja môže byť viac aké 85 dB(A); používajte ochranu sluchu
- Noste ochranné okuliare pri rezaní materiálu, z ktorého prskajú triesky
- Prach z materiálu, akým je náter obsahujúci olovo, niektoré druhy dreva, minerály a kovy môže byť škodlivý (kontakt alebo vdýchnutie prachu môže spôsobiť alergické reakcie a/alebo respiračné ochorenia obsluhy a okolostojacich osôb); **používajte ochrannú masku tváre a pracujte so zariadením na odsávanie prachu, ak je takéto zariadenie možné pripojiť**
- Určité druhy prachu sú klasifikované ako karcinogénne (napr. dubový a bukový prach), a to hlavne v spojení s prísadami na úpravu dreva; **používajte tvárovú ochrannú masku a pracujte so zariadením na odsávanie prachu, ak je takéto zariadenie možné pripojiť**
- Dodržujte stanovené nariadenia pre prácu v prašnom prostredí
- Pred nastavením alebo výmenou príslušenstva alebo vždy vyťahnite akumulátor

PRÉD POUŽITÍM

- Predtým než začnete rezať, odstráňte všetky prekážky na vrchnej a spodnej strane reznej dráhy
- Zabráňte poškodeniu náradia skrutkami, klincami a inými kovovými predmetmi v obrobku; odstráňte ich predtým, než začnete pracovať

POČAS PRÁCE

- Dávajte pozor aby sa ruky nedostali do blízkosti pílového listu keď je nástroj v použití

PRÍSLUŠENSTVO

- SKIL zabezpečí hladký chod nástroja len ak sa používa pôvodné príslušenstvo
- Nepoužívajte prasknutý, deformovaný alebo otupený pílový list

PO PRÁCI

- Skôr než nástroj položíte, presvedčte sa že je motor vypnutý a že sú všetky pohyblivé súčiastky zastavené

AKUMULÁTORY

- **Dodaný akumulátor je čiastočne nabitý** (na zaručenie plnej kapacity akumulátora ho pred prvým zapnutím prístroja úplne nabite v nabíjačke)
- **S týmto náradím používajte len nasledujúce akumulátory a nabíjačky**
 - Akumulátor SKIL: BR1*31****
 - Nabíjačka SKIL: CR1*31****
- Nepoužívajte akumulátor, keď je poškodený; musí sa okamžite vymeniť
- Akumulátor nerozoberajte
- Náradie ani akumulátor nevystavujte dažďu
- Povolená teplota okolia (náradie/nabíjačka/akumulátor):
 - pri nabíjaní 4...40 °C
 - pri prevádzke - 20...+ 50 °C
 - pri skladovaní - 20...+ 50 °C

VYSVETLENIE SYMBOLOV UMIESTNENÝCH NA NÁRADÍ/AKUMULÁTORE

- ③ Pred použitím si prečítajte návod na obsluhu
- ④ Akumulátory po vzhodení do ohňa vybuchnú a preto ich nevhadzujte do ohňa zo žiadneho dôvodu.
- ⑤ Náradie, nabíjačku a akumulátor skladujte na miestach, kde teplota neprekročí 50 °C
- ⑥ Nevyhadzujte elektrické náradie a akumulátory do komunálneho odpadu

POUŽITIE

- Nabíjanie akumulátora
 - ! **prečítajte si bezpečnostné výstrahy a pokyny dodané s nabíjačkou**
- Vybratie/inštalácia akumulátora ②
- Kontrolka nabitia akumulátora ⑦
 - stlačením tlačidla kontroly nabitia akumulátora H zobrazíte aktuálny stav akumulátora ⑦a
 - ! keď po stlačení tlačidla H ⑦b začne blikať najnižšia úroveň kontroly, akumulátor je vybitý
 - ! keď po stlačení tlačidla H ⑦c začnú blikať 2 úrovně kontroly akumulátora, akumulátor sa nenachádza v prípustnom rozsahu prevádzkových teplôt
- LED svetlo ⑭
 - LED svetlo sa automaticky rozsvieti po stlačení hlavného vypínača
 - ! keď pracovné LED svetlo začne blikať, aktivuje sa ochrana akumulátora (pozri nižšie)
- Ochrana akumulátora
 - Náradie sa náhle vypína alebo sa nedá zapnúť v prípade, že
 - je príliš vysoká záťaž --> odstráňte záťaž a reštartujte
 - teplota akumulátora nie je v prípustnom rozsahu prevádzkových teplôt - 20 až + 50 °C --> 2 úrovně kontroly stavu akumulátora začnú blikať po stlačení tlačidla H ⑦c; počkajte, kým sa akumulátor nevráti do povoleného rozsahu prevádzkových teplôt
 - akumulátor je takmer vybitý (na ochranu pred hlbokým vybitím) --> nízka úroveň nabitia alebo blížajúca nízka úroveň nabitia akumulátora ⑦b je indikovaná kontrolkou stavu akumulátora pri stlačení tlačidla H; nabite akumulátor
 - ! potom ako sa náradie automaticky vypne, nestláčajte hlavný vypínač, môže sa poškodiť

- **akumulátor**
- Zapínanie/vypínanie ⑧
 - zapnite/vypnite náradie stlačením spínača A do polohy „I/O“.
- Kontrola rýchlosti ⑨
 - pomocou nastavovacieho kolieska F je možné zvoliť požadovanú rýchlosť pílenia
 optimálna pracovná rýchlosť závisí na materiáli a môžete ju stanoviť praktickou skúškou
 - S nastavovacím kolieskom F nastaveným na „A“ sa rýchlosť bez zafarbenia zníži pre kontrolované spustenie
 - pri pílení sa rýchlosť automaticky zvýši na plnú rýchlosť**! náradie sa vráti na zníženú rýchlosť bez zafarbenia až po reštarte**
- Výmena pilového listu ⑩
 - ! pred nastavením alebo výmenou príslušenstva alebo vždy vytiahnite akumulátor**
 - ! pilový list úplne vložte tak, že zuby smerujú dopredu ⑪**
 - I do nástroja sú vhodné bežne dostupné pilové listy s T-stopkou ⑩
 - na vysunutie pilového listu používajte iba páčku svorky listu C (nie je potrebné dotýkať sa pilového listu)
- Pílenie pod 45° uhlom ⑫
- Výber režimu rezania ⑬
 - Použite páčku D pre nastavenie orbitálneho pílenia od presného rezu (= 0) po rýchle rezanie (= 3)
 - 1 nastavenie („0“) na presné rezanie vo všetkých materiáloch, rovné + zaoblené hrany
 - 3 nastavenia na rýchlejšie rezanie v rozličných materiáloch, len rovné hrany
 - 1 = hliník, plasty
 - 2 = tvrdé drevo
 - 3 = mäkké drevo**! pri rezaní štiepivého materiálu vždy zvolte „0“.**
- Odsávanie prachu ⑮
 - pripojte adaptér vysávača J ku základnej platni
 - pripojte hadicu vysávača k adaptéru vysávača J**! pri rezaní kovu nepoužívajte vysávač**
- Používanie náradia
 - pred zapnutím nástroja dajte pozor aby predný koniec ochodze ležal plocho na opracovávanom materiáli
 - držte nástroj pevne oboma rukami tak, aby ste vždy bol schopný úplne nástroj ovládať**! pri práci držte náradie vždy za sivo zafarbené úchopové oblasti ⑯**
 - dajte pozor aby celý povrch ochodze ležal pevne na opracovávanom materiáli**! pred zdvihnutím nástroja z obrobku sa uistite, že sa kotúč úplne zastavil**
 - nechajte vetracie štrbiny G ② nezakryté

APLIKAČNÉ RADY

- Použite vhodné pilové listy ⑰
 - ! do nástroja sú vhodné bežne dostupné pilové listy s T-stopkou**
- Pri rezaní kovov sa pilové listy musia pravidelne mazať olejom
- Pred vytvorením výrezov predvrtajte otvory ⑱
- Rezanie bez rozštiepenia
 - pred rezaním zakryte líniu rezu niekoľkými vrstvami širokej pásky
 - vždy položte rezaný materiál tak, aby dobrá strana

- smerovala dole
- Ďalšie informácie nájdete na adrese www.skil.com

ÚDRŽBA/SERVIS

- Toto náradie nie je vhodné pre profesionálne použitie
- Náradie neustále udržiavajte čisté (najmä vetracie štrbiny G ②)
- ! pred čistením vyberte akumulátor z náradia**
- Ak by náradie napriek starostlivej výrobe a kontrole predsa len prestalo niekedy fungovať, nechajte opravu vykonať v autorizovanej servisnej opravovni elektrického náradia SKIL
 - pošlite náradie v nerozloženom stave spolu s dokladom o kúpe vášmu predajcovi alebo najbližšej servisnej stanici SKIL (adresy a servisný diagram náradia sú uvedené na www.skil.com)
 - Uvedomte si, že poškodenie spôsobené preťažením alebo nesprávnym zaobchádzaním bude zo záruky vylúčené (záručné podmienky spoločnosti SKIL nájdete na stránke www.skil.com alebo si ich vyžiadajte u vášho predajcu)

ŽIVOTNÉ PROSTREDIE

- **Elektrické náradie, akumulátory, príslušenstvo a balenie nevyhadzujte do komunálneho odpadu (len pre štáty EÚ)**
 - v súlade s európskou smernicou 2012/19/ES o odpade z elektrických a elektronických zariadení a jej implementácie v súlade s vnútroštátnymi právnymi predpismi musí byť elektrické náradie, ktoré dosiahlo koniec svojej životnosti, zbierané oddelene od ostatného odpadu a musí sa vrátiť do ekologického recyklačného zariadenia
 - pripomenie vám to symbol ⑥, keď nastane čas likvidácie
- ! pred likvidáciou prelepte vývody akumulátora hrubou páskou, aby ste zabránili skratu**

HLUK / VIBRÁCIE

- Hladina akustického tlaku tohto nástroja, meraná v súlade s EN62841, je 87 dB (A) a hladina akustického výkonu 98 dB (A) (neurčitost' K = 3 dB) a vibrácie* (súčet vektorov troch osí; neurčitost' K = 1,5 m/s²)
 - * rezanie dosky 7,68 m/s²
 - * rezanie plechu 6,08 m/s²
- Úroveň vibrácií bola meraná v súlade s normalizovaným testom uvedeným v EN62841; môže sa použiť na porovnanie jedného nástroja s druhým a ako predbežné posúdenie vystavenia vibráciám pri použití nástroja na uvedené aplikácie
 - používanie náradia na rôzne aplikácie alebo s rôznym alebo nedostatočne udržiavaným príslušenstvom môže výrazne zvýšiť úroveň expozície
 - časy, počas ktorých je náradie vypnuté, alebo počas ktorých náradie beží, ale v skutočnosti nevykonáva prácu, môžu značne znížiť úroveň expozície
- ! chráňte sa pred účinkami vibrácií tak, že budete náradie a jeho príslušenstvo správne udržiavať, že nebudete pracovať so studenými rukami a že si vaše pracovné postupy správne zorganizujete**

Kompaktna ubodna pila bez četkica

3440

UVOD

- Ovaj je alat predviđen za izradu otvora i izreza u drvu, plastici i metalu i prikladan je za ravne i zakrivljene rezove pod kutom do 45°.
- Ovaj alat nije predviđen za profesionalnu upotrebu.
- Ako dijelovi nedostaju ili ako su oštećeni, obratite se svom dobavljaču.
- **Prije upotrebe pažljivo pročitajte ove upute za upotrebu i sačuvajte ih za buduće potrebe.** ③
- **Posebnu pozornost obratite na sigurnosne napomene i upozorenja. Zanemarivanje sigurnosnih napomena i upozorenja može rezultirati teškim ozljedama.**

TEHNIČKI PODACI ①

DIJELOVI ALATA ②

- A Prekidač za uključivanje/isključivanje
- B LED svjetlo
- C Stezaljka za list pile bez alata
- D Ručica za regulaciju orbitalnog hoda
- E Nožna pločica
- F Kotačić za podešavanje brzine piljenja
- G Ventilacijski otvori
- H Gumb indikatora razine napunjenosti baterije
- J Adapter za usisavač
- K Šesterostrani ključ

SIGURNOST

OPĆA SIGURNOSNA UPOZORENJA ZA ELEKTRIČNE ALATE

UPOZORENJE Pročitajte sva sigurnosna upozorenja, sve upute, ilustracije i specifikacije isporučene s ovim električnim alatom. Zanemarivanje svih uputa navedenih u nastavku može rezultirati strujnim udarom, požarom i/ili teškim ozljedama.

Sačuvajte sva upozorenja i sve upute za buduće potrebe.

Pojam "električni alat" u upozorenjima odnosi se na električni alat s napajanjem iz električne mreže (s kabelom) ili na električni alat s napajanjem iz baterije (bez kabela).

1) SIGURNOST RADNOG PODRUČJA

- a) **Radno područje održavajte čistim i dobro osvijetljenim.** Pretrpana ili mračna područja izazivaju nesreće.
- b) **Električnim alatom nemojte rukovati u eksplozivnim atmosferama, primjerice u prisutnosti zapaljivih tekućina, plinova ili prašine.** Električni alat stvara iskre koje mogu zapaliti prašinu ili isparenja.
- c) **Udaljite djecu i promatrače za vrijeme rada s**

električnim alatom. Ometanja mogu rezultirati gubitkom kontrole nad alatom.

2) ELEKTRIČNA SIGURNOST

- a) **Utikači električnog alata moraju odgovarati utičnici.** Nemojte nikada raditi preinake utikača. **Utikače adaptera nemojte upotrebljavati s uzemljenim električnim alatima.** Nepreinačeni utikači i odgovarajuće utičnice smanjit će rizik od električnog udara.
- b) **Izbjegavajte kontakt tijela s uzemljenim površinama, kao što su slavine, radijatori, peći i hladnjaci.** Rizik od električnog udara je veći ako je vaše tijelo uzemljeno.
- c) **Električni alat ne izlažite kiši ili mokrim uvjetima.** Prodiranje vode u električni alat povećat će rizik od strujnog udara.
- d) **Kabel ne upotrebljavajte nepropisno.** Kabel nemojte nikada upotrebljavati za nošenje, povlačenje ili odspajanje električnog alata od strujnog napajanja. **Kabel držite podalje od topline, ulja, oštih rubova ili pokretnih dijelova.** Oštećeni ili isprepleteni kabeli povećavaju rizik od strujnog udara.
- e) **Kada električnim alatom radite na otvorenom, upotrebljavajte produžni kabel prikladan za upotrebu na otvorenom.** Upotrebom kabela prikladnog za upotrebu na otvorenom smanjuje se rizik od strujnog udara.
- f) **Ako je rad s električnim alatom u području s parom neizbježan, upotrebljavajte napajanje sa zaštitnim uređajem diferencijalne struje (RCD).** Upotrebom zaštitnog uređaja diferencijalne struje smanjuje se rizik od strujnog udara.

3) OSOBNA SIGURNOST

- a) **Budite oprezni, gledajte što radite i vodite se načelima zdravog razuma kada radite s električnim alatom.** Nemojte raditi s električnim alatom ako ste umorni ili pod utjecajem opojnih sredstava, alkohola ili lijekova. Trenutak nepažnje tijekom rada s električnim alatima može rezultirati teškim osobnim ozljedama.
- b) **Upotrebljavajte osobnu zaštitnu opremu. Uvijek nosite zaštitu za oči.** Zaštitna oprema poput maske za zaštitu od prašine, neključajuće sigurnosne obuće, kacige ili zaštite za sluh upotrijebljena za prikladne uvjete smanjit će tjelesne ozljede.
- c) **Spriječite nenamjerno pokretanje. Prije spajanja na izvor napajanja i/ili baterijski modul, uzimanja ili nošenja alata uvjerite se da se prekidač nalazi u isključenom položaju.** Nošenje električnih alata s prstom na prekidaču ili napajanje električnih alata koji imaju uključen prekidač izaziva nesreće.
- d) **Prije uključivanja električnog alata, uklonite sve ključeve za podešavanje ili stezne ključeve.** Ključ ili ključ za podešavanje ostavljen pričvršćen na rotacijski dio električnog alata može rezultirati tjelesnim ozljedama.
- e) **Nemojte se naginjati preko alata. Cijelo vrijeme održavajte propisno držanje i ravnotežu.** To će omogućiti bolju kontrolu nad električnim alatom u neočekivanim situacijama.
- f) **Obucite se prikladno. Nemojte nositi široku odjeću i nakit. Kosu i odjeću držite podalje od pokretnih dijelova.** Široka odjeća, nakit ili duga kosa mogu se zahvatiti u pokretne dijelove.
- g) **Ako su uređaji opremljeni priključkom za odvod i sakupljanje prašine, pobrinite se da se propisno**

spoje i upotrebljavaju. Upotrebom sustava za sakupljanje prašine mogu se umanjiti opasnosti koje se odnose na prašinu.

- h) **Nemojte dopustiti da vas poznavanje alata stečeno čestom upotrebom učini samodopadnim te da ignorirate sigurnosna načela za alat.** Nepažljiv rad može rezultirati teškim ozljedama u djeliću sekunde.
- 4) **UPOTREBA I NJEGA ELEKTRIČNOG ALATA**
- a) **Nemojte preopterećivati električni alat.**
- Upotrebljavajte propisan električni alat za svoju primjenu.** Propisan električni alat bolje će i sigurnije obaviti zadatak brzinom za koju je konstruiran.
- b) **Nemojte upotrebljavati električni alat ako ga prekidač ne uključuje i isključuje.** Svaki električni alat koji se ne može kontrolirati prekidačem opasan je i potrebno ga je popraviti.
- c) **Prije podešavanja, zamjene dodatne opreme ili skladištenja električnih alata odspojite utikač od izvora napajanja i/ili uklonite baterijski modul, ako je odvojiv, s električnog alata.** Takve preventivne mjere sigurnosti smanjuju rizik od iznenadnog pokretanja električnog alata.
- d) **Nekorištene električne alate skladištite izvan dohvata djece i nemojte dopustiti osobama koje ne poznaju električni alat ili ove upute da rukuju električnim alatom.** Električni alati opasni su u rukama neobučanih korisnika.
- e) **Održavajte električne alate i dodatnu opremu.** Provjerite jesu li pokretni dijelovi centrirani ili spojeni, ima li polomljenih dijelova i postoji li stanje koje može utjecati na rad električnog alata. **Ako je oštećen, električni alat dajte na popravak prije upotrebe.** Loše održavani električni alati uzrok su mnogih nesreća.
- f) **Rezne alate održavajte oštima i čistima.** Propisno održavani rezni alati s oštrim reznim bridovima manje su skloni zaglavlivanju i lakši su za upravljanje.
- g) **Električni alat, dodatnu opremu i alatne nastavke i sl., upotrebljavajte u skladu s ovim uputama, uzimajući u obzir radne uvjete i zadatak koji je potrebno obaviti.** Upotreba električnog alata za radove drukčija od namjenske može rezultirati opasnim situacijama.
- h) **Rukohvate i površinu rukohvata održavajte suhim, čistim i očišćenim od ulja i masti.** Skliski rukohvati i skliske površine rukohvata onemogućuju sigurno rukovanje i upravljanje alatom u neočekivanim situacijama.
- 5) **UPOTREBA I NJEGA BATERIJSKOG ALATA**
- a) **Punjenje obavljajte samo s punjačem kojeg je naveo proizvođač.** Punjač koji je prikladan za jedan tip baterijskog modula može izazvati rizik od požara ako ga se upotrebljava s drugim baterijskim modulom.
- b) **Električni alat upotrebljavajte samo s izričito propisanim baterijskim modulima.** Upotreba drugih baterijskih modula može izazvati rizik od ozljeda i požara.
- c) **Kad se baterijski modul ne upotrebljava, držite ga podalje od drugih metalnih predmeta poput spajalica za papir, kovanica, ključeva, čavala, vijaka ili drugih malih metalnih predmeta koji mogu međusobno spojiti kontakte.** Kratko spajanje baterijskih kontakata može prouzročiti opekline ili požar.
- d) **U slučaju neprimjerene upotrebe, baterija može**

izbaciti tekućinu; izbjegavajte kontakt. **Ako slučajno dođe do doticaja, zahvaćena mjesta isperite vodom. Ako tekućina dođe u doticaj s očima, dodatno potražite liječničku pomoć.** Tekućina koju izbaci baterija može prouzročiti nadražaj kože ili opekline.

- e) **Ne upotrebljavajte oštećeni ili preinačen baterijski modul ili alat.** Oštećene ili preinačene baterije mogu pokazati nepredvidivo ponašanje koje može rezultirati požarom, eksplozijom ili opasnošću od ozljeda!
- f) **Baterijski modul ili alat ne izlažite vatri ili previsokoj temperaturi.** Izlaganje vatri ili temperaturi višoj od 130 °C može prouzročiti eksploziju.
- g) **Pridržavajte se svih uputa za punjenje, a baterijski modul ili alat nemojte puniti izvan raspona temperature navedenog u uputama.** Nepropisno punjenje ili punjenje pri temperaturama izvan propisanog raspona može oštetiti bateriju i povećati opasnost od požara.
- 6) **SERVISIRANJE**
- a) **Servisiranje električnog alata povjerite kvalificiranom osoblju za popravak koje upotrebljava samo identične zamjenske dijelove.** Time će se osigurati održavanje sigurnosti električnog alata.
- b) **Ne servisirajte oštećene baterijske module.** Servisiranje baterijskog modula smiju obavljati samo proizvođač ili ovlašteni serviseri.

SIGURNOSNE NAPOMENE ZA AKUMULATORSKU UBODNA PILU

- **Kada obavljate radove gdje pričvrtni elementi mogu doći u kontakt sa sakrivenim ožičenjem** (pričvrtni elementi koji dođu u kontakt sa žicom pod naponom izložene metalne dijelove električnog alata mogu staviti pod napon i prouzročiti strujni udar), električni alat držite za izolirane površine ručke.
- **Upotrijebite stezaljke ili drugi praktičan način da pričvrstite i poduprete obradak na stabilnu platformu** (držanje obratka rukom ili uz tijelo čini ga nestabilnim, što može rezultirati gubitkom kontrole).

OPĆE

- **Nemojte obrađivati materijale koji sadrže azbest** (azbest se smatra kancerogenim).
- Ovaj alat ne smiju upotrebljavati osobe mlađe od 16 godina.
- Razina buke pri radu može prijeći 85 dB(A); nosite zaštitu za sluh.
- Kada radite s materijalima koji proizvode sječku, nosite zatvorene zaštitne naočale.
- Prašina od materijala kao što su boje koje sadrže olovo, neke vrste drva, minerala i metala mogu biti štetni (kontakt s prašinom ili udisanje prašine može izazvati alergijske reakcije i/ili respiratorne bolesti kod rukovatelja ili prolaznika); **nosite masku za zaštitu od prašine i upotrebljavajte uređaj za odvod prašine kada se može priključiti.**
- Određene vrste prašine klasificirane su kao kancerogene (npr. prašina hrasta i bukve), posebno u kombinaciji s aditivima za obradu drva; **nosite masku za zaštitu od prašine i upotrebljavajte uređaj za odvod prašine kada se može priključiti.**
- Pridržavajte se nacionalnih zahtjeva za prašinu za materijale s kojima namjeravate raditi.
- Prije podešavanja ili zamjene pribora uklonite bateriju iz

alata.

PRIJE UPOTREBE

- Prije početka rezanja uklonite sve zapreke na gornjoj strani i ispod putanje rezanja.
- Izbjegavajte oštećenja koja mogu uzrokovati vijci, čavli i drugi elementi u vašem obratku; uklonite ih prije početka rada.

TIJEKOM UPOTREBE

- Tijekom upotrebe pile držite ruke podalje od lista pile.

PRIBOR

- SKIL može jamčiti besprijekoran rad alata samo ako se upotrebljava originalni pribor.
- Nemojte upotrebljavati napuknute, izobličene ili tupe listove pile.

NAKON UPOTREBE

- Kada odložite alat, isključite motor i provjerite jesu li se svi pokretni dijelovi potpuno zaustavili.

BATERIJE

- **Isporučena baterija djelomično je napunjena** (kako biste osigurali potpuni kapacitet baterije, prije prve upotrebe električnog alata bateriju potpuno napunite u punjaču baterije).
- **S ovim alatom upotrebljavajte samo sljedeće baterije i punjače:**
 - SKIL baterija: BR1*31****
 - SKIL punjač: CR1*31****
- Nemojte upotrebljavati oštećenu bateriju; oštećenu bateriju potrebno je odmah zamijeniti.
- Nemojte rastavljati bateriju.
- Alat/bateriju nemojte izlagati kiši.
- Dopuštena temperatura okruženja (alat/punjač/baterija):
 - pri punjenju 4...40 °C
 - tijekom rada -20...+50 °C
 - tijekom skladištenja -20...+50 °C

OBJAŠNJENJE SIMBOLA NA ALATU/BATERIJI

- ③ Prije upotrebe pročitajte upute za upotrebu.
- ④ Baterije mogu eksplodirati ako se odlože u vatru, stoga ih nemojte spaljivati.
- ⑤ Alat/punjač/bateriju skladištite na mjestima gdje temperatura ne prelazi 50 °C.
- ⑥ Električne alate i baterije nemojte zbrinjavati s kućnim otpadom.

UPOTREBA

- Punjenje baterije
! Pročitajte sigurnosna upozorenja i upute isporučene s punjačem.
- Uklanjanje/ulaganje baterije ②
- Indikator razine napunjenosti baterije ⑦
 - Za prikaz trenutačne razine napunjenosti baterije ⑦a pritisnite gumb indikatora razine napunjenosti baterije H.
 - ! Kada nakon pritiska na gumb H ⑦b najniža razina indikatora razine napunjenosti baterije počne treperiti, baterija je prazna.**
 - ! Kada nakon pritiska na gumb H ⑦c 2 razine indikatora razine napunjenosti baterije počnu treperiti, baterija nije u okviru dopuštenog raspona radne temperature.**
- LED svjetlo ⑭
 - LED svjetlo B automatski svijetli kada se aktivira prekidač za uključivanje/isključivanje.
 - ! Kada LED svjetlo počne treperiti, aktivira se zaštita baterije (vidjeti u nastavku).**

- Zaštita baterije
Alat se iznenada isključuje ili se neće uključiti kada
 - **je opterećenje previsoko** --> uklonite opterećenje i ponovno pokrenite
 - **temperatura baterije nije u okviru dopuštenog raspona radne temperature od -20 °C do +50 °C** --> 2 razine indikatora razine napunjenosti baterije počinju treperiti kada se pritisne gumb H ⑦c; pričekajte da se baterija vrati u dopušteni raspon radne temperature.
 - **je baterija skoro prazna (za zaštitu od dubokog pražnjenja)** --> kada pritisnete gumb H, indikator razine napunjenosti baterije prikazuje nisku razinu napunjenosti baterije ili trepereću nisku razinu napunjenosti baterije ⑦b; napunite bateriju.**! Nemojte nastaviti pritisniti prekidač za uključivanje/isključivanje nakon automatskog isključivanja alata; može se oštetiti baterija.**
- Uključivanje/isključivanje ⑧
 - Alat uključite/isključite stavljanjem prekidača A u položaj "I/O".
- Regulator brzine ⑨
 - Željenu brzinu piljenja možete odabrati pomoću kotačića za podešavanje F.Optimalna radna brzina ovisi o materijalu i može se odrediti praktičnim probnim radovima.
S kotačićem za podešavanje F u položaju "A", brzina bez opterećenja se smanjuje za kontrolirano pokretanje.
 - Tijekom piljenja brzina se automatski povećava na punu brzinu.**! Alat se tek nakon ponovnog pokretanja vraća na smanjenu brzinu bez opterećenja.**
- Zamjena lista pile ⑩
 - ! Prije podešavanja ili zamjene pribora uklonite bateriju iz alata.**
 - ! List pile umetnite do pune dubine sa zupcima okrenutima prema naprijed. ⑪**
 - Na alat se može postaviti većina standardnih listova pile s T-drškom. ⑩
 - Za izbacivanje lista pile samo povucite ručicu stezaljke za list pile C (nije potrebno doticati list pile).
- Piljenje pod kutom od 45° ⑫
- Odabir načina rada piljenja ⑬
 - Za podešavanje orbitalnog hoda iz preciznog rezanja (=0) na brzo rezanje (=3) upotrijebite ručicu D.
 - 1 postavka ("0") za precizno rezanje u svim materijalima, ravni + zakrivljeni rezovi
 - 3 postavke za brzo rezanje u različitim materijalima, samo ravni rezovi
 - 1 = aluminij, plastika
 - 2 = tvrdo drvo
 - 3 = meko drvo**! Kada pilite materijal osjetljiv na krhotine, uvijek odaberite postavku "0".**
- Usisavanje prašine ⑮
 - Adapter za usisavač J priključite na nožnu pločicu.
 - Na adapter za usisavač J priključite crijevo usisavača.
 - ! Usisavač nemojte upotrebljavati kada režete metal.**
- Rukovanje alatom
 - Prije uključivanja alata uvjerite se da prednji kraj nožne pločice ravno naliježe na obradak.
 - Alat čvrsto držite objema rukama tako da u svakom trenutku imate potpunu kontrolu nad alatom.**! Tijekom rada alat uvijek držite za sivo područje**

ručke. ⑬

- Uvjerite se da cijela površina nožne pločice čvrsto nalježe na obradak.

! Uvjerite se da se list pile potpuno zaustavio prije podizanja alata s obratka.

- Ventilacijske otvore G ② držite nepokrivenima.

SAVJETI ZA PRIMJENU

- Upotrebljavajte odgovarajuće listove pile. ⑰
- ! Na alat se može postaviti većina standardnih listova pile s T-drškom.**
- Kada režete metale, list pile redovito podmazujte uljem.
- Prije izrezivanja prethodno izbušite rupu. ⑱
- Rezanje bez krhotina
 - Prije rezanja pokrijte liniju rezanja s nekoliko slojeva široke trake.
 - Dobru stranu obratka uvijek okrenite prema dolje.
- Više informacija potražite na internetskoj stranici www.skil.com.

ODRŽAVANJE/SERVISIRANJE

- Ovaj alat nije predviđen za profesionalnu upotrebu.
- Alat uvijek održavajte čistim (posebno ventilacijske otvore G ②).
- ! Prije čišćenja izvadite bateriju iz alata.**
- Ako se dogodi da je alat neispravan unatoč pažljivoj proizvodnji i testiranju, popravak treba obaviti ovlaštenu servisni centar za električne alate proizvođača SKIL.
 - Pošaljite **nerastavljen** uređaj zajedno s dokazom o kupnji svom prodavaču ili najbližem servisu SKIL (adrese i servisni dijagram alata možete pronaći na www.skil.com).
 - Imajte na umu da je šteta zbog preopterećenja ili nepravilnog rukovanja alatom isključena iz jamstva (pogledajte uvjete jamstva proizvođača SKIL na www.skil.com ili obratite se svom zastupniku).

ZAŠTITA OKOLIŠA

- **Električne alate, baterije, pribor i ambalažu nemojte zbrinjavati s kućnim otpadom** (samo za zemlje EU).
 - U skladu s europskom Direktivom 2012/19/EZ o otpadnoj električnoj i elektroničkoj opremi i njenoj implementaciji u nacionalno zakonodavstvo, električni alati koji su dostigli kraj radnog vijeka moraju se odvojeno prikupljati i slati na ekološki prihvatljivo recikliranje.
 - Simbol ⑥ će vas podsjetiti kada trebate obaviti zbrinjavanje.
- ! Prije zbrinjavanja zaštitite kontakte baterije debelom ljepljivom trakom da spriječite kratki spoj.**

BUKA/VIBRACIJA

- Izmjereno u skladu s normom EN 62841, razina zvučnog tlaka ovog alata je 87 dB(A), a razina zvučne snage je 98 dB(A) (nesigurnost K = 3 dB), a vibracija* (zbroj vektora troosnog sustava; nesigurnost K = 1,5 m/s²)
 - * rezanje ploča 7,68 m/s²
 - * rezni lim 6,08 m/s²
- Razina emisije vibracija izmjerena je u skladu sa standardiziranim testom prema normi EN 62841; može

se upotrebljavati za usporedbu jednog alata s drugim i kao preliminarna procjena izloženosti vibracijama pri upotrebi alata za navedene primjene.

- Upotreba alata za različite primjene ili s različitim ili loše održanim priborom može značajno **povećati** razinu izloženosti.
- Vrijeme kada je alat isključen ili kada je uključen ali se ne upotrebljava, može značajno **smanjiti** razinu izloženosti.

! Zaštitite se od utjecaja vibracija održavanjem alata i pripadajućeg pribora, održavanjem topline ruku i organiziranjem radnih obrazaca.

(SRB)

Kompaktna ubodna testera bez četkica

3440

UVOD

- Ovaj alat je namenjen za prosecanje i isecanje drveta, plastike, metala; koristi se za pravo i sečenje pod uglom do 45 stepeni
- Ovaj alat nije namenjen za profesionalnu upotrebu
- U slučaju da delovi nedostaju ili su oštećeni, kontaktirajte svog prodavca
- **Pre upotrebe pažljivo pročitajte ovaj priručnik sa uputstvima i sačuvajte ga za buduću upotrebu** ③
- **Posebno obratite pažnju na uputstva o bezbednosti i upozorenja; ukoliko ih ne sledite može da dođe do ozbiljnih povreda**

TEHNIČKI PODACI ①

ELEMENTI ALATA ②

- A Prekidač za uključivanje/isključivanje
- B LED-svetlo
- C Stezaljka sečiva bez alata
- D Orbitalna kontrolna poluga
- E Podnožni oslonac
- F Točkić za regulisanje brzine testerisanja
- G Prerezi za ventilaciju
- H Dugme indikatora nivoa baterije
- J Adapter za usisivač
- K Inbus ključ

SIGURNOST

OPŠTA SIGURNOSNA UPOZORENJA ZA ELEKTRIČNI ALAT

! UPOZORENJE Pročitajte sva sigurnosna upozorenja, uputstva, ilustracije i specifikacije priložene uz ovaj električni alat. Nepridržavanje svih dole navedenih uputstava može da dovede do strujnog udara, požara i/ili ozbiljne povrede.

Sačuvajte sva upozorenja i uputstva za buduću upotrebu.

Pojam „električni alat“ u upozorenjima označava električni alat (sa žicom) koji se uključuje u utičnicu ili električni alat

(bežični) na baterije.

1) BEZBEDNOST NA RADNOM PODRUČJU

- a) **Održavajte radno područje čistim i dobro osvetljenim.** Na pretrpanim ili mračnim područjima su veće šanse da dođe do nezgoda.
 - b) **Ne koristite električne alate u eksplozivnim atmosferama, kao na primer u prisustvu zapaljivih tečnosti, gasova ili prašine.** Električni alat stvara varnice koje mogu zapaliti prašinu ili isparenja.
 - c) **Držite decu i prolaznike podalje dok koristite električni alat.** Ako vam nešto odvрати pažnju, možete izgubiti kontrolu.
- ### 2) ELEKTRIČNA BEZBEDNOST
- a) **Utikač električnog alata mora odgovarati utičnici.** Nikada ne modifikujete utikač ni na koji način. Ne koristite adapterske utikače sa uzemljenim električnim alatom. Nemodifikovani utikači i odgovarajuće utičnice će smanjiti rizik od strujnog udara.
 - b) **Izbegavajte kontakt delova tela sa uzemljenim površinama, poput cevi, radijatora, šporeta i frižidera.** Postoji povećan rizik od strujnog udara ako je vaše telo uzemljeno.
 - c) **Ne izlažite električne alate kiši ili mokrim uslovima.** Voda koja uđe u električni alat povećaće rizik od strujnog udara.
 - d) **Nemojte zloupotrebljavati kabl.** Nikada ne koristite kabl za nošenje, vučenje ili isključivanje iz utičnice električnog alata. Čuvajte kabl podalje od toplote, ulja, oštih ivica ili pokretnih delova. Oštećeni ili upetljani kablovi povećavaju rizik od strujnog udara.
 - e) **Kada koristite električni alat na otvorenom prostoru, koristite produžni kabl pogodan za korišćenje na otvorenom prostoru.** Upotreba kabla pogodnog za korišćenje na otvorenom prostoru smanjuje rizik od strujnog udara.
 - f) **Ako je korišćenje električnog alata u vlažnom području neizbežno, koristite izvor napajanja sa zaštitnim uređajem diferencijalne struje (RCD).** Korišćenje RCD smanjuje rizik od strujnog udara.

3) LIČNA BEZBEDNOST

- a) **Ostanite u pripravnosti, pazite šta radite i koristite zdrav razum kada koristite električni alat.** Ne koristite električni alat kada ste umorni ili pod uticajem droga, alkohola ili lekova. Trenutak nepažnje kada koristite električni alat je dovoljan da izazove ozbiljne telesne povrede.
- b) **Koristite ličnu zaštitnu opremu.** Uvek nosite zaštitu za oči. Zaštitna oprema poput maske za prašinu, radnih cipela koje se ne klizu, šlema ili zaštitne sluha će, kada se koristi za odgovarajuće uslove, smanjiti telesne povrede.
- c) **Sprečite nehotično pokretanje.** Osigurajte da prekidač bude u isključenom položaju pre povezivanja na izvor napajanja i/ili bateriju, podizanja ili nošenja alata. Nošenje električnih alata sa prstom na prekidaču ili uključivanje u utičnicu električnih alata čiji prekidač je u uključenom položaju priziva nezgode.
- d) **Uklonite sve ključeve za podešavanje pre uključivanja električnog alata.** Ključ koji ostane pričvršćen za rotacioni deo električnog alata može da izazove telesnu povredu.
- e) **Ne presežite. U svakom trenutku održavajte pravilan**

položaj nogu i ravnotežu. To omogućava bolju kontrolu električnog alata u neočekivanim situacijama.

- f) **Prikladno se obucite. Nemojte nositi široku odeću ili nakit.** Držite kosu i odeću dalje od pokretnih delova. Labava odeća, nakit ili duga kosa mogu da se zakače pokretnim delovima.
 - g) **Ako su priloženi uređaji za povezivanje delova za izbacivanje i prikupljanje prašine, osigurajte da oni budu povezani i da se pravilno koriste.** Upotreba kolektora prašine može da smanji opasnosti koje izaziva prašina.
 - h) **Ne dozvolite da zbog poznavanja koje ste stekli kroz čestu upotrebu alata postanete samozadovoljni i ignorišete principe bezbednosti alata.** Nemarni postupak može da izazove ozbiljnu povredu u deliću sekunde.
- ### 4) UPOTREBA I ODRŽAVANJE ELEKTRIČNOG ALATA
- a) **Ne silite električni alat. Koristite odgovarajući električni alat za ono što radite.** Odgovarajući električni alat uradiće posao bolje i bezbednije onom brzinom za koju je dizajniran.
 - b) **Ne koristite električni alat ako ga prekidač ne uključuje i isključuje.** Svaki električni alat koji se ne može kontrolisati prekidačem je opasan i mora se popraviti.
 - c) **Izvučite utikač iz izvora napajanja i/ili izvadite bateriju, ako je odvojiva, iz električnog alata pre bilo kakvog podešavanja, menjanja dodataka ili skladištenja električnog alata.** Takve preventivne sigurnosne mere smanjuju rizik od nehotičnog startovanja električnog alata.
 - d) **Skladištite isključene električne alate van domašaja dece i ne dozvolite osobama koje nisu upoznate sa ovim električnim alatom ili ovim uputstvom da rukuju električnim alatom.** Električni alat je opasan u rukama nekvalifikovanih korisnika.
 - e) **Održavajte električni alat i dodatke. Proverite pravilno poravnanje ili spojeve pokretnih delova, lomljenje delova i sva druga stanja koja mogu da utiču na rad električnog alata. Ako je oštećen, odnesite električni alat na popravku pre upotrebe.** Mnoge nezgode su izazvane loše održanim električnim alatom.
 - f) **Održavajte alate koji seku oštirim i čistim.** Pravilno održavani alati za sečenje sa oštirim ivicama za sečenje je ređe zapetljivaju i lakše se kontrolišu.
 - g) **Koristite električni alat, dodatke, delove itd. u skladu sa ovim uputstvom, uzimajući u obzir radne uslove i rad koji treba obaviti.** Korišćenje električnog alata za rad drugačiji od predviđenog moglo bi da dovede do opasne situacije.
 - h) **Održavajte drške i površine koje hvatate suvim, čistim i bez ulja i masnoće.** Klizave drške i površine koje hvatate ne omogućavaju bezbedno rukovanje i kontrolu alata u neočekivanim situacijama.
- ### 5) UPOTREBA I ODRŽAVANJE ALATA NA BATERIJE
- a) **Punite samo punjačem koji navodi proizvođač.** Punjač koji je prikladan za jedan tip baterije može da stvori opasnost od požara kad se koristi sa nekom drugom baterijom.
 - b) **Koristite električni alat samo sa konkretno imenovanim baterijama.** Upotreba bilo kakvih drugih baterija može da stvori rizik od povrede i požara.

- c) Kad se baterija ne koristi, držite je dalje od drugih metalnih predmeta, poput spajalica, novčića, ključeva, eksera, vijaka ili drugih malih metalnih predmeta koji mogu da naprave spoj jednog terminala sa drugim. Kratak spoj terminala baterije može da izazove opekotine ili požar.
- d) U ekstremnim uslovima može doći do curenja tečnosti iz baterije; izbegavajte kontakt sa njom. Ako dođe do nehotičnog kontakta, isperite vodom. Ako tečnost dođe u kontakt sa očima, takođe potražite i medicinsku pomoć. Tečnost iz baterije može da izazove iritaciju ili opekotine.
- e) Ne koristite bateriju ili alat koji su oštećeni ili modifikovani. Oštećene ili modifikovane baterije mogu da ispolje nepredvidivo ponašanje, dovodeći do požara, eksplozije ili rizika od povrede.
- f) Ne izlažite bateriju ili alat vatri ili previsokoj temperaturi. Izlaganje vatri ili temperaturi iznad 130 °C može izazvati eksploziju.
- g) Pratite sva uputstva za punjenje i ne puniti bateriju ili alat izvan temperaturnog opsega navedenog u uputstvima. Punjenje na nepravilan način ili na temperaturama izvan navedenog opsega može da ošteti bateriju i poveća rizik od požara.
- 6) **SERVIS**
 - a) Odnesite električni alat na servisiranje kod kvalifikovanog servisera koji će koristiti samo identične rezervne delove. To će osigurati da bezbednost električnog alata bude održana.
 - b) Nikad ne servisirajte oštećene baterije. Servisiranje baterija treba da radi samo proizvođač ili ovlašćeni servis.

SIGURNOSNA UPUTSTVA ZA BEŽIČNU UBODNU TESTERU

- Držite električni alat za izolovane površine za hvatanje kad izvodite radove gde učvršćivač može da dodirne skrivene žice (kad učvršćivač dodirne „živu“ žicu, i izloženi metalni delovi električnog alata mogu da dođu pod napon i izazovu strujni udar kod rukovaoca)
- Koristite stege ili neki drugi praktičan način da učvrstite i podržite materijal koji obrađujete na stabilnoj platformi (držanje materijala koji obrađujete rukom ili naslonjenog na sebe nije stabilno i može dovesti do gubitka kontrole)

OPŠTA

- Ne radite sa materijalima koji sadrže azbest (azbest se smatra karcinogenim)
- Ovaj alat ne treba da koriste osobe ispod 16 godina
- Buka koju alat proizvodi tokom rada može da premaši 85 dB(A); nosite zaštitu za sluh
- Nosite naočare kada radite sa materijalima koji proizvode piljevinu
- Prašina od materijala poput farbe koja sadrži olovo, nekih vrsta drveta, minerala i metala može biti škodljiva (dodir sa tom prašinom ili njeno udisanje mogu izazvati alergijske reakcije i/ili respiratorne bolesti kod rukovaoca ili posmatrača); nosite masku za prašinu i radite sa uređajem za uklanjanje prašine kad ga je moguće spojiti
- Određene vrste prašine se klasifikuju kao karcinogene (poput prašine od hrasta i bukve), naročito u kombinaciji sa aditivima za kondicioniranje drveta; nosite masku za

prašinu i radite sa uređajem za uklanjanje prašine kad ga je moguće spojiti

- Prati nacionalne propise vezane za prašinu koja se proizvodi prilikom rada na obrađivanim materijalima
- Uklonite bateriju iz alata pre svakog podešavanja ili promene pribora

PRE UPOTREBE

- Pre nego što započnete sečenje, uklonite sve prepreke na vrhu, kao i ispod putanje sečenja
- Izbegavajte oštećenja od šrafova, eksera i drugih predmeta na vašem području rada; uklonite ih pre nego što započnete rad

TOKOM UPOTREBE

- Držite ruke dalje od sečiva kada radite sa električnim alatom

PRIBOR

- SKIL može priznati garanciju samo ukoliko je korišćen originalni pribor
- Ne koristite sečivo koje je napuklo, deformisano ili tupo

NAKON UPOTREBE

- Kada završite rad sa alatom, isključite motor i proverite da li su se zaustavili svi pokretni delovi

BATERIJE

- Baterija se isporučuje delimično napunjena (da biste osigurali pun kapacitet baterije, bateriju napunite do kraja u punjaču baterije pre prvog korišćenja električnog alata)
- Koristite samo sledeće baterije i punjače sa ovim alatom
 - SKIL baterija: BR1*31****
 - SKIL punjač: CR1*31****
- Nemojte koristiti oštećenu bateriju; odmah je treba zameniti
- Nemojte da rastavljate bateriju
- Nemojte izlagati alat/bateriju kiši
- Dozvoljena ambijentalna temperatura (alat/punjač/ baterija):
 - tokom punjenja od 4 do 40 °C
 - tokom rada od -20 do +50 °C
 - tokom skladištenja od -20 do +50 °C

OBJAŠNJENJE SIMBOLA NA ALATU/BATERIJI

- ③ Pročitajte uputstvo za korišćenje pre prve upotrebe
- ④ Baterije će eksplodirati ako se izlože vatri, zato nikada ne palite baterije
- ⑤ Čuvajte alat/punjač/bateriju na mestima gde temperatura neće preći 50 °C
- ⑥ Ne odlažite električne alate i baterije u kućni otpad

UPUTSTVO ZA KORIŠĆENJE

- Punjenje baterije
 - ! pročitajte bezbednosna upozorenja i uputstva priložena uz punjač
- Uklanjanje/instaliranje baterije ②
- Indikator nivoa baterije ⑦
 - pritisnite dugme indikatora nivoa baterije H da bi se prikazao trenutni nivo baterije ⑦a
 - ! kada najniži nivo indikatora baterije počne da treperi nakon pritiska dugmeta H ⑦b, baterija je prazna
 - ! kada 2 nivoa indikatora baterije počnu da trepere nakon pritiska na dugme H ⑦c, baterija nije u dozvoljenom opsegu radne temperature
- LED svetlo ⑭
 - LED lampa B automatski svetli kada se aktivira prekidač za uključivanje/isključivanje.

! kada LED radno svetlo počne da treperi, aktivira se zaštita baterije (pogledajte ispod)

- Zaštita baterije
Alat se iznenada isključuje ili ne može da se uključi kada je
 - **opterećenje je preveliko** -> uklonite opterećenje i restartujte
 - **temperatura baterije nije u dozvoljenom radnom opsegu temperature od -20 do +50 °C** --> 2 nivoa indikatora za nivo baterije počinju da trepere kada pritisnete dugme H(7)c; sačekajte dok se baterija ne vrati u dozvoljeni radni opseg temperature
 - **baterija je skoro prazna (za zaštitu od prekomernog pražnjenja)** --> nizak nivo baterije ili treperenje za nizak nivo baterije (7)b se prikazuje na indikatoru za nivo baterije kada se pritisne dugme H; napunite bateriju
- **! nemojte nastaviti da pritisnete prekidač za uključivanje/isključivanje nakon automatskog isključivanja alata; baterija se može oštetiti**
- Uključivanje/isključivanje (8)
 - uključite/isključite alat tako što ćete gurnuti prekidač A u položaj „I/O“
- Kontrola brzine (9)
 - željena brzina testiranja se može izabrati točkim F
 - Optimalna radna brzina zavisi od materijala i može se utvrditi praktičnim pokušajima
 - Kad je točnik F postavljen na „A“, brzina bez opterećenja je smanjena radi kontrolisanog pokretanja
 - tokom testiranja, brzina će se automatski povećavati do pune brzine
- **! alat će se vratiti na smanjenu brzinu bez opterećenja tek nakon ponovnog pokretanja**
- Zamena sečiva testere (10)
 - **! uklonite bateriju iz alata pre svakog podešavanja ili promene pribora**
 - **! ubacite sečivo do pune dubine sa zupcima okrenutim prema napred (11)**
 - alat prihvata najčešće dostupna T-prihvat sečiva (10)
 - da biste izbacili sečivo, rukujte samo polugom spone sečiva C (nema potrebe da dodirujete sečivo)
- Testiranje na 45° (12)
- Izbor režima sečenja (13)
Koristite polugu D za podešavanje putanje sečenja od preciznog sečenja (=0) do brzog sečenja (=3)
 - 1 pozicija ("0") za precizno sečenje u svim materijalima, pravo i pod uglom
 - 3 pozicija za brzo sečenje u različitim materijalima, pravo sečenje jedino
 - 1 = aluminijum, plastika
 - 2 = tvrdo drvo
 - 3 = meko drvo
- **! uvek izaberite „0“ kada testirate osetljiv materijal**
- Usisavanje prašine (15)
 - spojite adapter usisivača J na podnožni oslonac
 - povežite crevo usisivača na adapter za usisivač J
- **! ne koristite usisivač kad sečete metal**
- Rukovanje alatom
 - pre paljenja motora proverite da je prednji deo radne ploče postavljen ravno na radnom mestu
 - držite alat čvrsto obema rukama, tako će te imati punu kontrolu nad alatom sve vreme
- **! tokom rada, uvek držite alat za područja za**

hvatanje sive boje (16)

- uverite se da cela površina radne ploče leži čvrsto na radnom mestu
- **! pre nego što podignete alat sa područja rada, proverite da li je došlo do potpunog prekida rada sečiva**
- prerezi za hlađenje G(2) moraju da budu otvoreni

SAVETI ZA PRIMENU

- Koristite odgovarajuća sečiva testere (17)
 - **! alat prihvata najčešće dostupna T-prihvat sečiva**
- Kada sečete metal stavite sečivo podmazano uljem
- Pre isecanja napravite rupe (18)
- Sečenje bez krhotina
 - prekrijte liniju sečenja višeslojnim ili širokim trakama pre sečenja
 - lice materijala je okrenuto naniže na radnom mestu
- Za više informacija pogledajte www.skil.com

ODRŽAVANJE/SERVIS

- Ovaj alat nije namenjen za profesionalnu upotrebu
- Uvek održavajte alat čistim (posebno otvore za ventilaciju G(2))
 - **! pre čišćenja uklonite bateriju iz alata**
 - Ako bi alat i pored brižljivog postupka izrade i kontrole nekada otkazao, popravku mora vršiti neki autorizovani servis za SKIL električne alate
 - pošaljite **nerasklopljeni** alat zajedno sa dokazom kupovine vašem prodavcu ili najbližoj SKIL servisnoj stanici (adrese kao i servisni dijagram alata možete naći na www.skil.com)
 - Imajte na umu da za oštećenja nastala usled preopterećenja ili nepravilnog rukovanja neće važiti garancija (za uslove SKIL garancije posetite www.skil.com ili pitajte svog prodavca)

ZAŠTITA OKOLINE

- **Električne alate, baterije, pribor i ambalažu ne odlažite u kućne otpatke** (samo za EU-države)
 - prema Evropskoj direktivi 2012/19/EC o otpadnoj električnoj i elektronskoj opremi i njenoj primeni u skladu sa nacionalnim zakonodavstvom, električni alati koji su došli do kraja svog radnog veka moraju biti prikupljeni zasebno i oduzeti u ekološki pogon za reciklažu
 - simbol (6) će vas podsetiti na to kada se potreba za odlaganjem pojavi
- **! da bi se izbegli kratki spojevi, terminale baterije treba zaštititi debljom samolepljivom trakom pre odlaganja na otpad**

BUKA / VIBRACIJA

- Mereno u skladu sa EN62841, nivo zvučnog pritiska ovog alata je 87 dB(A), nivo zvučne snage je 98 dB(A) (nesigurnost K = 3 dB), a vibracija* je (troosni vektorski zbir; nesigurnost K = 1,5 m/s²)
 - * sečenje ploče 7,68 m/s²
 - * sečenje lista metala 6,08 m/s²
- Nivo emisije vibracija izmeren je u skladu sa standardizovanim testom datim u EN62841; on se može koristiti za poređenje jednog alata sa drugim, kao

- i za preliminarnu procenu izloženosti vibracijama pri korišćenju ovog alata za pomenute namene
- korišćenje alata u drugačije svrhe ili sa drugačijim ili slabo održanim priborom može značajno **povećati** nivo izloženosti
 - vreme kada je alat isključen ili kada je uključen ali se njime ne radi može značajno **smanjiti** nivo izloženosti
- ! zaštitite se od posledica vibracija tako što ćete održavati alat i pribor, voditi računa da vam ruke budu tople i organizovati svoj rad**

(SLO)

Kompaktna vbdna žaga z 3440 brezkrtačnim motorjem

UVOD

- Orodje je namenjeno rezanju in izrezovanju iz lesa, plastike, kovine in je primerno za ravne in krive reze pod koti do 45°.
- Orodje ni namenjeno profesionalni uporabi.
- V primeru manjkajočih ali okvarjenih delov se obrnite na prodajalca.
- **Pred uporabo pazno preberite navodila za uporabo in jih shranite, da jih boste lahko uporabljali tudi v prihodnosti** ③
- **Posebno pazno namenite navodilom in opozorilom o varnosti; če jih ne boste upoštevali, lahko pride do hudih poškodb.**

TEHNIČNI PODATKI ①

DELI ORODJA ②

- A Stikalo za vklop/izklop
- B Lučka LED
- C Objemka rezila brez orodja
- D Ročica za nadzor orbitalnega delovanja
- E Ščit
- F Kolo za regulacijo hitrosti giba
- G Ventilacijske reže
- H Gumb indikatorja za napolnjenost akumulatorja
- J Adapter za sesalnik
- K Imbus ključ

VARNOST

SPLOŠNA VARNOŠTNA OPOZORILA ZA ELEKTRIČNA ORODJA

⚠ OPOZORILO Preberite vsa varnostna opozorila, navodila, slike in tehnične podatke, ki so priloženi temu električnemu orodju. Zaradi neupoštevanja spodaj navedenih navodil lahko pride do električnega udara, požara in/ali hudih telesnih poškodb.

Vsa opozorila in navodila shranite za kasnejšo uporabo.

Izraz »električno orodje« v opozorilih se nanaša na orodja, ki jih poganja električni tok (žična), ali na akumulatorska (brežžična) orodja.

1) VARNOST DELOVNEGA OBMOČJA

- a) **Delovno območje naj bo čisto in dobro osvetljeno.** Na neurejenih ali temnih območjih se hitro zgodijo nesreče.
- b) **Električnega orodja ne upravljajte v eksplozivnih okoljih, na primer ob prisotnosti vnetljivih tekočin, plinov ali prahu.** Električno orodje ustvarja iskre, ki lahko povzročijo vžig prahu ali hlapov.
- c) **Med uporabo električnega orodja v bližino ne pustite otrok in drugih ljudi.** Zaradi motenj lahko izgubite nadzor.

2) ELEKTRIČNA VARNOST

- a) **Vtiči električnih orodij se morajo prilegati vtičnicam.** Vtiča nikoli ne smete spreminjati na kakršen koli način. Z ozemljenimi električnimi orodji ne uporabljajte adapterjev. Nespremenjeni vtiči in pripadajoče vtičnice bodo zmanjšali tveganje električnega udara.
 - b) **Izogibajte se telesnemu stiku z ozemljenimi površinami, kot so cevi, radiatorji, štedilniki in hladilniki.** Če je vaše telo ozemljeno, obstaja povečano tveganje električnega udara.
 - c) **Orodja ne izpostavljajte dežju ali vlažnim vremenskim pogojem.** Če v električno orodje zaide voda, obstaja večja možnost električnega udara.
 - d) **Ne poškodujte električnega kabla.** Kabla nikoli ne uporabljajte za nošenje, vlečenje ali odklapanje električnega orodja. Kabel hranite stran od vročine, olja, ostrih robov ali premikajočih se delov. Poškodovani ali zapleteni kabli povečajo tveganje električnega udara.
 - e) **Med zunanjo uporabo električnega orodja uporabljajte podaljšek, ki je primeren za zunanjo uporabo.** Uporaba kabla, primerne za zunanjo uporabo, znižuje tveganje električnega udara.
 - f) **Če je uporaba električnega orodja na vlažnem mestu neizogibna, uporabite napajanje, zaščiteno z napravo na diferenčni tok.** Uporaba te naprave bo zmanjšala nevarnost električnega udara.
- #### 3) OSEBNA VARNOST
- a) **Med uporabo električnega orodja bodite pozorni, spremljajte potek dela in uporabljajte zdrav razum.** Električnega orodja ne uporabljajte, kadar ste utrujeni ali pod vplivom drog, alkohola ali zdravil. Trenutek nepazljivosti med uporabo električnega orodja lahko povzroči hude telesne poškodbe.
 - b) **Uporabljajte osebno varovalno opremo. Vedno uporabljajte zaščito za oči.** Če v različnih okoliščinah nosite ustrezno varovalno opremo, kot so maska proti prahu, obutev z neдрsečim podplatom, trdno pokrivalo glave in zaščita za sluh, zmanjšate možnost telesnih poškodb.
 - c) **Preprečite neželen zagon. Pred priklopom na vir napajanja in/ali priklopom akumulatorskega sklopa ter pred dvigovanjem ali nošenjem orodja se prepričajte, da je stikalo v položaju za izklop.** Prenašanje električnih orodij s prstom na stikalo ali napajanje električnih orodij, pri katerih je stikalo v položaju za vklop, povzroči tveganje za nesreče.
 - d) **Pred vklopom električnega orodja odstranite morebitne nastavitvene ključe ali viličaste ključe.** Viličasti ali drug ključ, ki je pritrjen na vrtljivi del električnega orodja, lahko povzroči telesne poškodbe.

- e) **Ne stegujte se preveč. Pazite, da ves čas stojite stabilno in ohranjate ravnotežje.** To omogoča boljši nadzor nad električnim orodjem v nepričakovanih situacijah.
- f) **Bodite primerno oblečeni. Ne nosite ohlapnih oblačil ali nakita. Pazite, da lasje in oblačila ne pridejo v bližino gibljivih delov.** Ohlapna oblačila, nakit ali dolgi lasje se lahko zapletejo v gibljive dele.
- g) **Če imate na voljo naprave za sesanje in zbiranje prahu, preverite, ali so priključene in ali se ustrezno uporabljajo.** Uporaba naprav za zbiranje prahu lahko zmanjša nevarnosti, povezane s prahom.
- h) **Čeprav dobro poznate orodje zaradi pogoste uporabe, ne postanite ravnodušni in ne prezirajte varnostnih načel orodja.** Nepazljivost pri uporabi lahko povzroči hude telesne poškodbe v delcu sekunde.
- 4) UPORABA IN NEGA ELEKTRIČNEGA ORODJA**
- a) **Električnega orodja ne preobremenjujte. Uporabite električno orodje, ki je primerno za vaše delo.** Ustrezno električno orodje bo nalogo opravilo bolje in varneje pri zmogljivosti, za katero je bilo zasnovano.
- b) **Ne uporabljajte električnega orodja, če ga ni mogoče vklopiti in izklopiti s stikalom.** Kakršno koli električno orodje, ki ga ni mogoče nadzirati s stikalom, je nevarno in ga je potrebno popraviti.
- c) **Odklopite vtič iz vira napajanja in/ali odstranite baterijski sklop, če je snemljiv, preden opravite kakršne koli prilagoditve, menjate nastavke ali shranite električno orodje.** Tovrstni preventivni varnostni ukrepi zmanjšujejo tveganje nenamernega zagona električnega orodja.
- d) **Električna orodja, ki niso v uporabi, shranjujte izven dosega otrok in ne dovolite, da bi električno orodje uporabljale osebe, ki niso seznanjene z električnim orodjem ali s temi navodili.** Električno orodje je v rokah neusposobljenih uporabnikov nevarno.
- e) **Električna orodja in dodatke združujte. Preverite morebitno nepravilnost ali povezavo premikajočih se delov, zlome delov ali morebitno drugačno stanje, ki bi lahko vplivalo na delovanje električnega orodja. Če je električno orodje poškodovano, ga pred ponovno uporabo nesite na popravilo.** Mnogo nesreč se pripeti zaradi slabo vzdrževanih električnih orodij.
- f) **Rezalna orodja naj bodo vedno nabrušena in čista.** Pravilno vzdrževana rezalna orodja z ostrimi rezili se težje zaskočijo in jih je lažje nadzirati.
- g) **Električno orodje, dodatke, dele orodja itd. uporabljajte v skladu s temi navodili, pri tem pa upoštevajte delovne pogoje in delo, ki ga boste opravljali.** Če boste električno orodje uporabljali za neustrezne namene, lahko pride do nevarnih situacij.
- h) **Ročaji in prijemalne površine naj bodo suhe, čiste in brez madežev olja ali masti.** Drseči ročaji in prijemalne površine ne omogočajo varnega ravnanja in nadzorovanja orodja v nepričakovanih situacijah.
- 5) UPORABA IN VZDRŽEVANJE AKUMULATORSKEGA ORODJA**
- a) **Baterijo polnite le s polnilnikom, ki ga določa proizvajalec.** Polnilnik, ki je primeren za eno vrsto akumulatorskih baterij, morda lahko povzroči nevarnost požara, če z njim polnite drugo vrsto akumulatorske baterije.
- b) **Akumulatorska orodja uporabljajte samo s predpisano vrsto akumulatorskih baterij.** Uporaba katerih koli drugih akumulatorskih baterij lahko povzroči tveganje za telesne poškodbe in požar.
- c) **Ko baterijski sklop ni v uporabi, ga hranite ločeno od drugih kovinskih predmetov, kot so sponke za papir, kovanci, ključji, zebliji, vijaki ali drugi majhni kovinski predmeti, ki lahko povzročijo stik med enim in drugim kontaktom.** Kratek stik zaradi povezanih kontaktov akumulatorja lahko povzroči opekline ali požar.
- d) **Ob zlorabi akumulatorja lahko iz njega steče tekočina; izogibajte se stiku z njo. Če se neohote dotaknete tekočine, mesto dotika sperite z vodo. Če pride tekočina v stik z očmi, poiščite zdravniško pomoč.** Tekočina, ki brizgne iz akumulatorja, lahko povzroči draženje ali opekline.
- e) **Akumulatorske baterije ali orodja, ki je poškodovano ali spremenjeno, ne uporabljajte.** Poškodovani ali spremenjeni akumulatorji lahko nepredvidljivo delujejo, zaradi česar lahko pride do požara, eksplozije ali nevarnosti telesnih poškodb.
- f) **Akumulatorske baterije ali orodja ne izpostavljajte ognju ali previsokim temperaturam.** Izpostavljenost ognju ali temperaturam nad 130 °C lahko povzroči eksplozijo.
- g) **Upoštevajte vsa navodila za polnjenje in akumulatorske baterije ali orodja ne polnite izven temperaturnega razpona, navedenega v navodilih.** Zaradi nepravilnega polnjenja ali temperature zunaj navedenega razpona lahko pride do poškodb akumulatorja in povečanega tveganja za požar.
- 6) SERVIS**
- a) **Električno orodje naj servisira usposobljeno servisno osebje, ki uporablja le enake nadomestne dele.** To bo zagotovilo ohranjanje varnosti električnega orodja.
- b) **Nikoli ne popravljajte poškodovanih akumulatorskih baterij.** Akumulatorske baterije lahko popravi le proizvajalec ali pooblaščen izvajalec servisiranja.

VARNOSTNA NAVODILA ZA BREŽIČNO VBDNO ŽAGO

- **Če izvajate dela, pri katerih bi se lahko s pritrdilnim elementom dotaknili skrite omrežne napeljave, držite električno orodje samo za izolirane ročaje** (stik pritrdilnih elementov z napeljavo, ki je pod napetostjo, lahko povzroči, da so tudi kovinski deli orodja pod napetostjo, kar lahko povzroči električni udar za upravljalca).
- **Obdelovanec zavarujte in pritrдите na trdo ploščo s sponami ali drugo opremo** (če držite obdelovanec z rokami ali ob telesu, je nestabilen in lahko pride do izgube nadzora).

SPLOŠNO

- **Ne obdelujte materiala, ki vsebuje azbest** (azbest povzroča rakasta obolenja).
- Tega orodja naj ne bi uporabljale osebe, mlajše od 16 let.
- Med delom lahko nivo hrupa presega 85 dB(A); uporabljajte zaščito proti hrupu
- Kadar delate z materiali, kjer nastajajo odkruški, nosite zaščitna očala.
- Prah materialov, kot so barve, ki vsebujejo svinec, nekatere vrste lesa, mineralov ali kovin, je lahko škodljiv

(ob stiku ali vdihavanju lahko prah pri delavcu ali pri drugih prisotnih povzroči alergijsko reakcijo in/ali boleznih dihal); **nosite masko za prah in pri delu uporabljajte napravo za odsesavanje prahu, kjer je le-to možno priključiti.**

- Nekateri vrste prahu so klasificirane kot kancerogene (npr. prah hrasta in bukve), predvsem ob sočasni uporabi z dodatki za obdelavo lesa; **nosite masko za prah in pri delu uporabljajte napravo za odsesavanje prahu, kjer je le-to možno priključiti.**
- Upoštevajte nacionalne zahteve glede prahu za materiale, ki jih želite obdelovati.
- Preden orodje kakor koli prilagajate ali zamenjate pribor, z orodja odstranite akumulator

PRED UPORABO

- Odstranite ovire nad in pod linijo reza že pred začetkom žaganja
- Izogibajte se poškodbam zaradi vijakov, žebeljev ali drugih elementov v obdelovancu; odstranite jih pred začetkom dela.

MED UPORABO

- Pazite, da so roke odmaknjene od žaginega lista, kadar je orodje vključeno

NASTAVKI

- SKIL zagotavlja brezhibno delovanje orodja le z uporabo originalnega dodatnega pribora
- Ne uporabljajte poškodovanih, deformiranih ali topih žaginskih listov

PO UPORABI

- Ko orodje postavite v stran, izklopite motor in pazite, da se vsi premikajoči se deli orodja popolnoma zaustavijo

AKUMULATOR

- **Priloženi akumulator je delno napolnjen** (če želite zagotoviti polno zmogljivost akumulatorja, ga pred prvo uporabo popolnoma napolnite s polnilnikom za akumulator)
- **S tem orodjem lahko uporabljate samo te akumulatorje in polnilnike**
 - Akumulator SKIL: BR1*31****
 - Polnilnik SKIL: CR1*31****
- Če je akumulator poškodovan, ga ne uporabljajte, ampak ga je treba takoj zamenjati.
- Akumulatorja ne razstavljajte.
- Orodja/akumulatorja ne izpostavljajte dežju.
- Dovoljena temperatura okolice (orodje/polnilec/baterija):
 - pri polnjenju od 4 od 40 °C
 - pri delu od -20 od + 50 °C
 - pri skladiščenju od -20 do + 50 °C

POJASNILO OZNAK NA ORODJU/AKUMULATORJU

- ③ Pred uporabo preberite navodila za uporabo
- ④ Akumulatorji lahko pri izpostavljanju odprtemu ognju eksplodirajo, zato jih nikoli ne sežigajte.
- ⑤ Shranjujte orodje/polnilec/akumulator v prostoru, kjer temperatura ne bo preseгла 50 °C.
- ⑥ Ne odstranjujte električnega orodja in akumulatorja skupaj z gospodinjskimi odpadki.

UPORABA

- Polnjenje baterije
- **Preberite varnostna opozorila in navodila, priložena polnilniku.**
- Odstranjevanje/namesščanje akumulatorja ②
- Indikator stanja napoljenosti akumulatorja ⑦
- Pritisnite gumb indikatorja stanja napoljenosti

akumulatorja H, da prikazete trenutno stanje akumulatorja ⑦a

! **Ko začne po pritisku gumba H ⑦b utripati najnižja stopnja napoljenosti akumulatorja, je akumulator prazen.**

! **Ko začneta po pritisku gumba H utripati 2 stopnji indikatorja napoljenosti akumulatorja ⑦c, je akumulator v dovoljenem razponu delovne temperature.**

- Lučka LED ⑭
 - Lučka LED B se ob aktiviranju stikala za vklop/izklop samodejno vklopi.

! **Ko začne lučka LED utripati, je zaščita akumulatorja aktivirana (glejte spodaj).**

- Zaščita akumulatorja
- Orodje se nenadoma izklopi ali pa ga ni mogoče vklopiti v naslednjih primerih:

- **previsoka obremenitev** --> odstranite obremenitev in zaženite znova;

- **temperatura akumulatorja ni v dovoljenem razponu delovne temperature od -20 do +50 °C**

--> ko pritisnete gumb H ⑦c, začneta utripati 2 ravni indikatorja napoljenosti akumulatorja; počakajte, da se akumulator vrne v dovoljeni razpon delovne temperature;

- **akumulator je skoraj prazen (zaščitite ga pred popolno izpraznitvijo)** --> ko pritisnete gumb H, indikator napoljenosti akumulatorja prikaže nizko raven napoljenosti akumulatorja ali utripajočo nizko raven napoljenosti akumulatorja ⑦b; napolnite akumulator.

! **Po samodejnem izklopu ne pritiskajte stikala za vklop/izklop; akumulator se lahko poškoduje.**

- Vklp/izklop ⑧
 - Orodje vklopite/izklopite tako, da potisnete stikalo A v položaj "I/O".
- Nadzor hitrosti ⑨
 - S kolescem s številčnico F lahko določite zeleno hitrost žaganja.

Najprimernejša delovna hitrost je odvisna od materiala in jo lahko določite s praktičnim poskušanjem.

Ko je kolesce s številčnico F nastavljeno na "A", se hitrost brez obremenitve zmanjša za nadzorovan zagon.

- Med žaganjem se hitrost samodejno poveča na polno hitrost.

! **Orodje se bo vrnilo na zmanjšano hitrost brez obremenitve šele po ponovnem zagonu.**

- Menjava žaginega lista ⑩
- ! **Preden orodje kakor koli prilagajate ali zamenjate pribor, odstranite akumulator.**

! **List vstavite povsem do konca v orodje, zobje morajo biti obrnjeni naprej.** ⑪

- Na orodje lahko namestite večino razpoložljivih žaginskih listov s T-stebлом. ⑩

- Za izmet rezila uporabite samo ročico objemke za rezilo C (ni se treba dotikati rezila).

- Rezanje pod kotom 45° ⑫
- Izbira načina rezanja ⑬
- Z ročico D nastavite orbitalno delovanje od natančnega rezanja (=0) do hitrega rezanja (=3).
- 1 nastavev ("0") za natančno rezanje v vse materiale, ravne in ukrivljene
- 3 nastavitve za hitro rezanje v različne materiale, samo

- za ravne reze
- 1 = aluminij, plastika
- 2 = trd les
- 3 = mehak les

! Pri rezanju drobljivih in občutljivih materialov vedno izberite položaj "0".

- Odsesavanje prahu ¹⁵
 - Priključite adapter za sesalnik J na ščit.
 - Cev sesalnika priključite na adapter za sesalnik J.
- ! Sesalnika ne uporabljajte za rezanje kovine.**
- Upravljanje orodja
 - pred vklopom orodja mora biti vodilo položeno na površino obdelovanca
 - orodje držite vedno z obema rokama, s tem imate med delom popoln nadzor nad orodjem
- ! Med delom vedno držite orodje za sivo obarvana mesta oprijema.** ¹⁶
 - pazite, da je vodilo med delom popolnoma položeno na površino obdelovanca
- ! Prepričajte se, da je žagin list popolnoma zaustavljen, preden orodje dvignete iz obdelovanca.**
 - Ventilacijske reže ^{G2} morajo ostati nepokrite.

UPORABNI NASVETI

- Uporabljajte samo ustrezne žagine liste ¹⁷
 - ! Na orodje lahko namestite večino razpoložljivih žaginskih listov s T-stebлом.**
- Pri žaganju kovin žagin list redno naoljite
- Pred izrezovanjem izvrtajte luknjo ¹⁸
- Rezanje drobljivih materialov
 - pred rezanjem prelepite linijo reza z nekaj plastmi širokega lepilnega traku
 - pri rezanju naj bo boljša stran obdelovanca obrnjena navzdol
- Za več informacij obiščite spletno stran www.skil.com

VZDRŽEVANJE/SERVISIRANJE

- Orodje ni namenjeno profesionalni uporabi.
- Orodje naj bo vedno čisto (predvsem prezračevalne odprtine ^{G2})
- ! Pred čiščenjem odstranite akumulator iz orodja.**
- Če bi kljub skrbnim postopkom izdelave in preizkušanja prišlo do izpada delovanja orodja, naj popravilo opravi servisna delavnica, pooblaščen za popravila električnih orodij SKIL.
 - Pošljite **nerazstavljeno** orodje skupaj s potrdilom o nakupu pri vašemu prodajalcu v najbližjo SKIL servisno delavnico (naslovi, kot tudi spisek rezervnih delov se nahaja na www.skil.com).
 - Zavedajte se, da garancija ne vključuje poškodb zaradi preobremenitve orodja ali nepravilne rabe (glede SKILovih garancijskih pogojev obiščite www.skil.com ali povprašajte prodajalca).

OKOLJE

- **Električnega orodja, baterije, pribora in embalaže ne odstranjujte skupaj z gospodinjstvi odpadki** (samo za države EU).
 - V skladu z Evropsko direktivo 2012/19/EG o odpadnih električnih in elektronskih opremitvi in z njenim izvajanjem v nacionalni zakonodaji je treba električna orodja ob

koncu njihove življenjske dobe ločeno zbirati in jih predati v postopek okolju prijaznega recikliranja.

- Ko bo potrebno odstranjevanje, vas bo na to spomnil simbol ⁶.

! Preden zavrzete akumulator, prilepite kontakte z debelejšim izolirnim trakom, da preprečite kratek stik.

HRUP / VIBRACIJA

- Raven zvočnega tlaka tega orodja, ki je bila izmerjena v skladu s standardom EN62841, znaša 87 dB(A), raven zvočne moči je 98 dB(A) (odstopanje K = 3 dB) in vibracij* (trisojna vektorska vsota; odstopanje K = 1,5 m/s²).
 - * rezalna plošča 7,68 m/s²
 - * žaganje pločevine 6,08 m/s²
- Raven oddajanja vibracij je bila izmerjena v skladu s standardiziranimi testi, navedenimi v EN62841; uporabiti jo je mogoče za primerjavo različnih orodij med seboj in za predhodno primerjavo izpostavljenosti vibracijam pri uporabi orodja za namene, ki so omenjeni.
 - Uporaba orodja za drugačne namene ali uporaba skupaj z drugimi, slabo vzdrževanimi nastavki lahko znatno **poveča** raven izpostavljenosti.
 - Čas, ko je orodje izklopljeno ali ko je vklopljeno, vendar z njim ne delamo, lahko znatno **zmanjša** raven izpostavljenosti.

! Pred posledicami vibracij se zaščitite z vzdrževanjem orodja in pripadajočih nastavkov, ter tako, da so vaše roke tople, vaši delovni vzorci pa organizirani.

(EST)

Harjadeta kompaktne tikksaag

3440

SISSEJUHATUS

- See tööriist on ette nähtud läbi- ja väljalõigete tegemiseks puidust, plastist, metallist ning sobib sirgeteks ja kõverateks lõigeteks kaldenurgaga kuni 45°
- Tööriist pole mõeldud professionaalseks kasutamiseks.
- Kui mõni osa on puudu või kahjustatud, võtke ühendust kohaliku edasimüüjaga.
- **Enne seadme kasutamist lugege kasutusjuhend hoolikalt läbi ja hoidke see edaspidiseks alles** ³
- **Pöörake eriliist tähelepanu ohutusjuhistele ja hoiatustele; nende eiramine võib põhjustada tõsiseid vigastusi.**

TEHNILISED ANDMED ¹

TÖÖRIISTA OSAD ²

- A Toitelüliti (On/Off)
- B LED-märgutuli
- C Tööriistavaba teraklamber
- D Orbitaallikumise reguleerimise hoob
- E Alusplaat
- F Lõikekirurise regulaator
- G Ventilatsioonivad

- H Aku laetustaseme märgutule nupp
- J Tolmuimeja adapter
- K Kuuskantvõti

OHUTUS

ÜLDISED ELEKTRITÖÖRIISTADE HOIATUSED

⚠ HOIATUS! Lugege läbi kõik elektritööriistaga kaasas olevad hoiatused, juhised, joonised ja andmed. Alltoodud juhiste eiramine võib põhjustada elektrilööki, tulekahju ja/või tõsiseid vigastusi.

Säilitage hoiatused ja juhised hilisemaks kasutuseks.

Hoiatustes kasutatud termin "elektritööriist" viitab voolu jõul (juhtmega) töötavale elektrilisele tööriistale või aku jõul töötavale (juhtmeta) elektrilisele tööriistale.

1) TÕÕPIIRKONNA OHUTUS

- a) **Tööpiirkond peab olema puhas ja hästi valgustatud.** Täis kuhjatud või valgustamata tööpiirkonnad võivad põhjustada õnnetusi.
- b) **Ärge kasutage elektritööriistu plahvatusohtlikes keskkondades, näiteks kergesti süttivate vedelike, gaaside või tolmu läheduses.** Elektritööriistad tekitavad sädemeid, mis võivad süüdata tolmu või aursid.
- c) **Elektritööriistadega töötamisel hoidke lapsed ja kõrvalised isikud eemal.** Tähelepanu hajumisel võite kaotada kontrolli seadme üle.

2) ELEKTRILINE OHUTUS

- a) **Elektritööriistad tuleb ühendada sobivasse pistikupesasse. Ärge kunagi modifitseerige pistikut mitte mingil viisil. Ärge kasutage maandatud elektritööriistadega koos pistikuadaptereid.** Modifitseerimata pistikud ja sobivad pistikupesad vähendavad elektrilöögi ohtu.
- b) **Vältige kehalist kontakti maandatud pindadega (nt torud, radiaatorid, katted, külmikud).** Kui teie keha on maandatud, suureneb elektrilöögi oht.
- c) **Ärge jätke elektritööriistu vihma kätte ega niisketesse tingimustesse.** Vee sattumine elektritööriista sisse suurendab elektrilöögi ohtu.
- d) **Ärge rikkuge juhet. Ärge kasutage juhete elektritööriista kandmiseks või tõmbamiseks ja ärge tõmmake juhtmest, kui soovite pistikut pistikupesast eemaldada. Vältige juhtme kokkupuudet kuumade esemete, õli, teravate servade või liikuvate osadega.** Kahjustatud või puntras juhe suurendab elektrilöögi ohtu.
- e) **Elektritööriistaga välitingimustes töötamiseks kasutage välitingimustesse sobivat pikendusjuhet.** Välitingimustesse sobiva juhtme kasutamine vähendab elektrilöögi ohtu.
- f) **Kui peate kindlasti tööriista märjas kohas kasutama, kasutage seadet, mille toite tagab jääkvooluseade (RCD). RCD kasutamine vähendab elektrilöögi ohtu.**

3) ISIKLIK OHUTUS

- a) **Olge tähelepanelik, töötage hoolikalt ja rakendage tervet mõistust. Ärge kasutage elektritööriista, kui olete väsinud, või rohtude, alkoholi või narkootikumide mõju all.** Vaid hetkeline

tähelepanematus elektritööriista kasutamisel võib põhjustada raskeid kehavigastusi.

- b) **Kasutage isikukaitsevahendeid. Kandke alati silmakaitsevahendeid.** Töötingimustele vastava kaitsevarustuse (nt tolmu maski, libisemiskindlate turvajalanõude, kiivri või kuulmiskaitsete) kasutamine vähendab kehavigastuste ohtu.
 - c) **Ennetage tööriista tahtmatut käivitamist. Enne tööriista vooluvõrgu ja/või akuplokiga ühendamist ning enne tööriista kandmist või üles tõstmist veenduge, et lüliti on mitteaktiivses asendis.** Elektritööriistade kandmine sõrme lüliti hoides või aktiivses olekus lülitiga põhjustab õnnetusi.
 - d) **Enne tööriista sisselülitamist eemaldage sellelt kõik reguleerimis- ja mutrivõtmed.** Elektritööriista pöörleva osa külge unustatud võtmed vms tööriistad võivad põhjustada kehavigastusi.
 - e) **Ärge küünitage liiga kaugele. Töötage ainult kindlal pinnal ja kohtades, kus pole ohtu tasakaalu kaotada.** Nii säilitate ootamatutes olukordades parema kontrolli elektritööriista üle.
 - f) **Riietuge asjakohaselt. Ärge kandke ehteid ega avaraid riideid. Vältige oma juuste ja riiete kokkupuudet liikuvate osadega.** Liiga avarad riided, ehted ja pikad juuksed võivad liikuvate osade vahele kinni jääda.
 - g) **Kui tootega on kaasas vahendid tolmuärastus- ja kogumisseadmete ühendamiseks, siis veenduge, et need seadmed on korralikult ühendatud ja asjakohases kasutuses.** Tolmukogumisseadmete kasutamine vähendab tolmu seotud ohtusid.
 - h) **Kui seade on teile sagedase kasutamise tulemusel harjumuspäraseks saanud, ärge laske ennast lõdvaks ega ignoreerige tööriista kasutamise ohutusreegleid.** Hooletuse tõttu võite saada tõsiseid vigastusi ka sekundi murdosa jooksul.
- #### 4) ELEKTRITÖÖRIISTA KASUTAMINE JA HOOLDUS
- a) **Ärge rakendage elektritööriista kasutamisel jõudu. Kasutage konkreetseks tööks sobivat elektritööriista.** Sobiva elektritööriistaga sobival kiirusel töötades saate töö valmis kiiresti ja ohutult.
 - b) **Ärge kasutage elektritööriista, mida ei saa lülitist sisse ega välja lülitada.** Elektritööriistad, mille lüliti ei tööta, on ohtlikud ja tuleb parandada.
 - c) **Eemaldage pistik vooluvõrgust ja/või akuplokk seadme küljest, kui see on eemaldatav, enne seadme kohandamist, tarvikute vahetamist või elektritööriista houstumist.** Selliste ennetavate ohutusmeetmete rakendamisega vähendate elektritööriista tahtmatu käivitamise võimalust.
 - d) **Elektritööriistu, mida te hetkel ei kasuta, hoidke lastele kättesaamatus kohas ning ärge lubage nendega töötada isikutel, kes pole tööriistade tööpõhimõtete või käesoleva juhendiga tutvunud.** Koolitamata isikute käes on elektritööriistad ohtlikud.
 - e) **Hooldage nii elektritööriistu kui tarvikuid. Kontrollige, et liikuvad komponendid on korrektselt joondatud ja kinnitatud ning ükski osa ei ole katki, ning jälgige ka muid aspekte, mis võiksid elektritööriista tööd mõjutada.** Kahjustatud elektritööriista tuleb enne kasutamist parandada. Halvasti hooldatud elektritööriistad põhjustavad palju õnnetusi.

- f) **Hoidke oma lõiketööriista teravad ja puhtad.** Korralikult hooldatud ja teravate servadega lõikevahendid ei kiilu nii kergesti kinni ja on lihtsamini kontrollitavad.
- g) **Kasutage elektritööriista, selle tarvikuid, tööriistaosi jm vastavalt käesolevale juhendile, võttes arvesse töötingimusi ja teostatavat tööd.** Elektritööriista mittesihipärane kasutamine võib põhjustada ohtlikke olukordi.
- h) **Hoidke käepidemed ja haardepinnad kuivad ja puhtad ning vältige neile õli ja rasva sattumist.** Libedad käepidemed ja haardepinnad takistavad seadme ohutut kasutamist ja käsitsemist ootamatutes olukordades.
- 5) **AKUSEADMETE KASUTAMINE JA HOOLDUS**
- a) **Kasutage laadimiseks ainult tootja poolt ette nähtud laadijaid.** Akulaadija, mis sobib teatud tüüpi akuplokile, võib põhjustada tulekahju ohtu, kui seda kasutada mõne teise akuplokiga.
- b) **Kasutage elektritööriista ainult nende jaoks ette nähtud akuplokkidega.** Mõne muu akuplokki kasutamine võib põhjustada vigastuste ja tulekahju ohtu.
- c) **Kui akut ei kasutata, hoidke seda eemal muudest metalliesemetest nagu kirjaklambrid, mündid, võtmed, naelad, kruvid ja muud väikesed metalliesemed, mis võivad klemmide vahel ühenduse luua.** Akuklemmide lühiühendus võib põhjustada põletushaavu või tulekahju.
- d) **Valedes tingimustes kasutamisel võib akut vedelikku välja tulla; vältige kokkupuudet.** Kokkupuute korral loputada veega. Kui vedelik satub silma, pöörduge lisaks ka arsti poole. Akust erituv vedelik võib põhjustada ärritust või põletusi.
- e) **Ärge kasutage kahjustunud või modifitseeritud akuplokki või tööriista.** Kahjustunud või modifitseeritud akud võivad toimida ettearvamatult, mille tagajärjeks võib olla tulekahju, plahvatus või vigastuste oht.
- f) **Vältige akuploki või tööriista kokkupuudet tule või liiga kõrge temperatuuriga.** Kokkupuude lahtise tule või temperatuuriga üle 130 °C võib põhjustada plahvatuse.
- g) **Järgige kõiki laadimisjuhiseid ja ärge laadige akuplokki või tööriista vale temperatuuri juures (vt juhiseid).** Valesi või valel temperatuuril laadimine võib kahjustada akut ja suurendada tulekahju ohtu.
- 6) **HOOLDUS**
- a) **Laske oma akutööriista hooldada kvalifitseeritud remonditehnikul, kes kasutab ainult identseid originaalvaruosi.** See tagab elektritööriista ohutuse.
- b) **Ärge kunagi hooldage kahjustunud akuplokke.** Akuplokkide hooldust võib teostada ainult tootja või volitatud teeninduskeskus.

OHUTUSJUHISEDE JUHTMETA TIKKSAAGIDE PUHUL

- **Hoidke elektritööriista kinni isoleeritud haardepinnast, kui teostate toimingut, mille puhul võib kinniti kokku puutuda varjatud voolujuhtmetega** (kinniti kokkupuutumine pingestatud juhtmega võib viia metallist seadmesaad pingele alla ja anda operaatorile elektrilöögi).
- **Kinnitage toorik klambriga või muul praktilisel moel kindlale stabiilsele alusele** (toorikut käes või vastu keha hoides võib see paigast liikuda ja kaotada kontrolli

seadme üle)

ÜLDIST

- **Asbesti sisaldava materjali töötlemine on keelatud** (asbesti peetakse kantserogeenseks).
- Tööriista kasutaja peab olema vähemalt 16-aastane.
- Töötamise ajal võib müratase ületada 85 dB(A); kandke kuulmiskaitsevahendeid
- Materjalide töötlemisel, millega kaasneb laastude teke, kandke kaitseprille
- Pliid sisaldavat värvi, mõningaid puiduliike, mineraale ja metalli sisaldavad materjalid eraldavad tolmu, mis võib olla kahjulik (kokkupuude tolmuga või selle sissehingamine võib seadme kasutajal või läheduses viibival inimestel põhjustada allergilisi reaktsioone ja/või hingamisteede haigusi); **kandke tolmumaski ja vajaduse korral töötage külgeühendatava tolmueraldusseadmega.**
- Teatud tüüpi tolm on klassifitseeritud kantserogeensena (nt tammest ja pöögist eralduv tolm), eriti koos puidu niiskuse reguleerimiseks kasutatavate lisanditega; **kandke tolmumaski ja vajaduse korral töötage külgeühendatava tolmueraldusseadmega.**
- Erinevate materjalide töötlemisel tekkinga tolmuga käitlemisel tuleb järgida kehtivaid nõudeid.
- Enne tööriista reguleerimist või tarvikute vahetust võtke aku välja

ENNE KASUTAMIST

- Enne saagimise alustamist eemaldage kõik nii töödeldava materjali peal- kui allpool lõikejoonel asuvad takistused
- Vältige töödeldavas esemes olevatest kruvidest, naeltest vms põhjustatud kahjustusi; eemaldage need enne töö alustamist.

KASUTAMISE AJAL

- Kui tööriist on sisse lülitatud, hoidke käed saelehest eemal

LISATARVIKUD

- SKIL tagab seadme häireteta töö üksnes originaaltarvikute kasutamisel
- Keelatud on kasutada rebenenud või nürisid, samuti deformeerunud saelehti

PÄRAST KASUTAMIST

- Enne tööriista juurest lahkumist lülitage see välja ning oodake, kuni selle liikuvad osad on täielikult seiskunud

AKUD

- **Kaasasolev aku on osaliselt laetud** (aku täisvõimsuse tagamiseks laadige aku enne elektritööriista esmakordset kasutamist akulaadijas korralikult täis).
- **Kasutage selle tööriistaga ainult järgmisi akusid ja laadijaid.**
 - SKILi aku: BR1*31****
 - SKILi laadur: CR1*31****
- Ärge kasutage kahjustatud akut – see tuleks kohe välja vahetada.
- Ärge võtke akut lahti.
- Ärge jätke tööriista/akut vihma kätte.
- Ümbritseva keskkonna lubatud temperatuur (tööriista/laadijat/akut):
 - laadimisel 4 kuni 40 °C;
 - töötamisel -20 kuni +50 °C;
 - hoiustamisel -20 kuni +50 °C.

TÖÖRIISTAL/AKUL OLEVATE SÜMBOLITE SELGITUS

- ③ Enne kasutamist tutvuge kasutusjuhendiga.
- ④ Tulle visatud akud plahvatavad, seepärast ei tohi akut mitte mingil juhul põletada.

- ⑤ Hoidke tööriista/laadijat/akut kohas, kus temperatuur ei ületa 50 °C.
- ⑥ Ärge visake kasutuskõlbmatuks muutunud elektrilisi tööriistu ja akusid ära koos olmejäätmetega.

KASUTAMINE

- Aku laadimine
 - ! **Lugege laadijaga kaasasolevaid ohutusohiatusi ja juhiseid.**
- Aku eemaldamine/paigaldamine ②
- Aku laetusastme indikaator ⑦
 - Vajutage aku laetusastme märgutule nuppu H, et näha aku laetusaset ⑦a antud hetkel.
 - ! **Kui aku laetusastme märgutule kõige madalama taseme tuli hakkab nupu H vajutuse järel vilkuma ⑦b, on aku tühi.**
 - ! **Kui laetuse taseme märgutule 2 taseme märgutuled hakkavad nupu H vajutuse järel vilkuma ⑦c, ei ole aku lubatud töötemperatuurivahemikus.**
- LED-tuli ⑭
 - LED-märgutuli B süttib automaatselt tööüliti (sisse/välja) rakendamisel.
 - ! **Kui LED-tuli hakkab vilkuma, on aku kaitse rakendatud (vt allpool)**
- Aku kaitse
 - Tööriist lülitatakse järsku välja või selle sisselülitamine ei ole võimalik, kui
 - **koormus on liiga suur** --> eemaldage koormus ja taaskäivitage;
 - **aku temperatuur ei ole lubatud töötemperatuuri vahemikus -20 kuni +50 °C** --> märgutule 2 taseme märgutuled hakkavad nupu H vajutuse järel vilkuma ⑦c; oodake, kuni aku naaseb lubatud töötemperatuuri vahemikku;
 - **aku on peaaegu tühi (et kaitsta seda täieliku tühjenemise eest)** --> aku laetusastme märgutuli kuvab nupu H vajutuse järel madalat akutaset või vilkuvat madalat akutaset ⑦b; laadige akut;
 - ! **ärge vajutage enam lülitile (sisse/välja), kui tööriist on end automaatselt välja lülitanud, sest see võib akut kahjustada.**
- Sisse/välja ⑧
 - tööriista sisse-/väljalülitamiseks viige lüliti A asendisse "I"/"O"
- Kiiruse reguleerimine ⑨
 - valikukettaga F saab valida soovitud saagimiskiiruse
 - Optimaalne töökiirus on materjalist ja selle saab kindlaks määrata katsetamise teel
 - Kui ketas F on seatud asendisse "A", vähendatakse koormuseta kiirust kontrollitud käivitamise jaoks
 - saagimisel tõuseb kiirus automaatselt täiskiirusele
 - ! **Tööriist naaseb vähendatud koormuseta kiirusele alles pärast taaskäivitamist**
- Saetera vahetamine ⑩
 - ! **Enne tööriista reguleerimist või tarvikute vahetust võtke aku välja**
 - ! **Paigaldage tera täies ulatuses, nii et hambad on suunatud ette ⑪**
 - ! Seadmesse sobib enamik standardseid T- ja U-varrega terasid ⑩
 - tera väljutamiseks kasutage ainult teraklambri C hooba (tera pole vaja puudutada)

- Lõikamine 45° nurga all ⑫
- Lõikerežiimi valik ⑬
 - Kasutage hooba G orbitaallikumise reguleerimiseks täpsest saagimisest (=0) kuni kiire saagimiseni (=3)
 - 1 asend ("0") kõikides materjalides otse- ja figuurlõigete tegemiseks
 - 3 asendit erinevate materjalide kiireks lõikamiseks, ainult otselõiked
 - 1 = alumiiniummaterjalid, plastmaterjalid
 - 2 = kõva puit
 - 3 = pehme puit
 - ! **Kergesti laaste/pinde tekitava materjali lõikamisel valige alati asend "0"**
- Tolmu eemaldamine ⑮
 - Ühendage tolmuimeja adapter J alusplaadiga
 - Ühendage tolmuimeja voolik tolmuimeja adapteriga J
 - ! **Ärge kasutage tolmuimejat metalli lõikamisel.**
- Seadme kasutamine
 - Enne tööriista sisselülitamist peab alusplaadi esiküljelt toetuma tasaselt töödeldavale esemele.
 - Tööriista kindlaks kontrollimiseks hoidke seda alati tugevalt kahe käega.
 - ! **Töötamise ajal hoidke tööriista kinni halli värvi haardepinnast (haardepindadest) ⑯**
 - Veenduge, et alusplaat toetub kogu oma pinnaga kindlalt toorikule.
 - ! **Enne tööriista eemaldamist toorikust veenduge, et tera on täielikult seiskunud.**
 - Hoidke ventilatsioonivad G② vabad.

TÖÖJUHISED

- Kasutage sobivaid saelehti. ⑰
 - ! **Seadmesse sobib enamik standardseid T-varrega terasid.**
- Metalliga saagimisel määrige saelehte regulaarselt õliga.
- Enne väljalõigete tegemist puurige auk ette. ⑱
- Saagimine materjali kahjustamata
 - Enne töö algust katke lõikejoon mitme kihi laia kleplindiga.
 - Asetage tooriku ilusam (pealne) pool alati allapoole.
- Lisateavet lugege aadressilt www.skil.com

HOOLDUS/TEENINDUS

- Tööriist pole mõeldud professionaalseks kasutamiseks.
- Hoidke tööriist alati puhtana (eriti ventilatsioonivad G②)
- ! **enne puhastamist eemaldage tööriistast aku**
- Tööriist on hoolikalt valmistatud ja testitud. Kui tööriist sellest hoolimata rikki läheb, tuleb see lasta parandada SKILi elektriliste käsitööriistade volitatud remonditöökojas.
 - toimetage **lahtimonteerimata** tööriist koos ostukviitungiga edasimüüjale või lähimasse SKILi lepingulisse töökotta (aadressid ja tööriista varuosade joonise leiata aadressil www.skil.com)
 - Arvestage sellega, et garantii ei hõlma seadme ülekoormamisest või ebaõigest käsitsemisest tulenevaid kahjustusi (teavet SKILi garantiitingimuste kohta vaadake veebilehelt www.skil.com või küsige kohalikult müügiesindajalt)

KESKKOND

- **Ärge visake kasutuskõlbmatuks muutunud elektrilisi**

tööriistu, akusid, lisatarvikuid ja pakendeid ära koos olmejäätmetega (üksnes ELI liikmesriikidele).

- vastavalt Euroopa Parlamendi ja nõukogu direktiivile 2012/19/EÜ elektri- ja elektroonikaseadmete jäätmete kohta ning direktiivi nõuete kohaldamisele liikmesriikides tuleb kasutuskõlbmatuks muutunud elektrilised tööriistad koguda eraldi ja keskkonnasäästlikult korduvkasutada või ringlusse võtta.
- Kõrvaldamisvajaduse tekkimisel meenutab seda teile sümbol ⑥.

! Enne aku kasutusest kõrvaldamist katke selle klemmid tugeva teibiga, et vältida lühise teket.

MÜRA / VIBRATSIKON

- Standardi EN 62841 kohaselt mõõdetud tööriista helirõhutase on 87 dB(A) ja helivõimsustase on 98 dB(A) (määramatus K = 3 dB) ning vibratsioon * (triaksaalvektorite summa; määramatus K = 1,5 m/s²).
* Puidu lõikamine 7,68 m/s²
* Lõigates lehtmetsali 6,08 m/s²
 - Tekkiva vibratsiooni tase on mõõdetud vastavalt standardis EN 62841 kirjeldatud standardiseeritud testile; seda võib kasutada tööriistade võrdlemiseks ja tööriista kasutamisel ettenähtud töödel esineva vibratsiooni esialgseks hindamiseks.
 - Tööriista kasutamisel muudeks rakendusteks või teiste / halvasti hooldatud tarvikute kasutamisel võib vibratsioon märkimisväärselt **suurened**.
 - Ajal, kui tööriist on väljalülitatud või on küll sisselülitatud, kuid tegelikult seda ei kasutata, võib vibratsioon märkimisväärselt **vähened**.
- ! Enda kaitsmiseks vibratsiooni eest hooldage tööriista ja selle tarvikuid korralikult, hoidke oma käed soojad ja tagage soovij tuu korraldus.**

LV

Kompakts bezkontaktu finierzāģis

3440

IEVADS

- Šis instruments ir paredzēts zāģēšanai un izzāģēšanai kokmateriālā, plastmasā, metālā un ir piemērots taisnu, izliektu griezumam, kā arī slīpo zāģējumu līdz 45° leņķa slīpumā veikšanai
- Šis instruments nav paredzēts profesionālai lietošanai.
- Ja trūkst kādas daļas vai tā ir bojāta, lūdz, sazinieties ar izplatītāju
- **Pirms lietošanas rūpīgi izlasiet šos norādījumus un saglabājiet to vēlākai uziņai ③**
- **Stingri ievērojiet drošības instrukcijas un brīdinošos norādījumus, jo pretējā gadījumā jūs riskējat gūt smagu traumu**

TEHNISKIE DATI ①

INSTRUMENTA ELEMENTI ②

- A Ieslēgšanas/izslēgšanas slēdzis
- B Gaismas indikators

- C Asmens skava bez instrumentiem
- D Orbitālās vadības svira
- E Pamatnes plāksne
- F Ritenītis maksimālā darbības ātruma iestādīšanai
- G Ventilācijas atveres
- H Akumulatora uzlādes līmeņa indikatora poga
- J Putekļsūcēja adapters
- K Sešstūra stienātslēga

DROŠĪBA

VISPĀRĒJIE ELEKTROINSTRUMENTA DROŠĪBAS BRĪDINĀJUMI

! BRĪDINĀJUMS! Izlasiet visus ar šo elektroinstrumentu saistītos drošības brīdinājumus, norādījumus, specifiku un aplūkojiet attēlus. Visu turpmāk uzskaitīto norādījumu neievērošana var izraisīt elektriskās strāvas triecienu, aizdegšanos un/vai nopietnas traumas.

Saglabājiet visus brīdinājumus un instrukcijas turpmākai atsaucei.

Brīdinājumus lietotais termins „elektroinstrument” attiecas uz elektriski darbināmu instrumentu, kura barošanu nodrošina elektrotīkls (ar elektrokabeļi) vai akumulators (bez elektrokabeļa).

1) DROŠĪBA DARBA ZONĀ

- a) **Uzturiet darba zonu tīru un labi apgaismotu.** Nesakārtotā un slikti apgaismotā darba zonā var notikt nelaimes gadījumi.
- b) **Nedarbiniet elektroinstrumentu sprādzienbīstamā vidē, piemēram, viegli uzliesmojošu šķidrumu, gāzu vai putekļu klātbūtnē.** Elektroinstrumenti rada dzirksteles, kas var aizdedzināt putekļus vai izgarojumu tvaikus.
- c) **Neļaujiet bērniem un klātesošajiem atrasties elektroinstrumenta tuvumā, kamēr tas darbojas.** Apjukuma brīdī jūs varat zaudēt vadību pār instrumentu.

2) ELEKTRODROŠĪBA

- a) **Elektroinstrumenta kontaktdakšai jāsakrīt ar kontaktrozeti. Nekad nekādā veidā nepārveidojiet kontaktdakšu. Neizmantojiet adaptera kontaktdakšas kopā ar lezēmītiem elektroinstrumentiem.** Lietojot nepārveidotas kontaktdakšas un atbilstošas kontakttīgšanas tiek samazināts elektriskās strāvas triecienu risks.
- b) **Nepieskarieties saņemtiem virsmām, piemēram cauruļvadiem, radiatoriem, plītiem un ledusskapjiem.** Saņemoties Jūs palielināt elektriskās strāvas triecienu risku.
- c) **Sargājiet elektroinstrumentus no lietus vai mitruma.** Mitruma iekļūšana elektroinstrumentā palielina elektriskās strāvas triecienu risku.
- d) **Nebojājiet strāvas vadu. Nekad nelietojiet strāvas vadu elektroinstrumenta pārnēsāšanai, vilkšanai vai kontaktdakšas izvilkšanai no kontaktrozetes.** Sargājiet strāvas vadu no karstuma, eļļas, asām malām vai kustīgām daļām. Bojāti vai samudzināti strāvas vadi palielina risku saņemt elektriskās strāvas triecienu.

- e) Strādājot ar elektroinstrumentu ārpus telpām, nodrošiniet, lai arī izmantotie pagarinātāji būtu piemēroti āra darbiem. Āra darbiem paredzēta vadu pagarinātāja izmantošana samazina elektriskās strāvas trieciena risku.
- f) Ja nav iespējams izvairīties no elektroinstrumenta darbināšanas mitrā vietā, izmantojiet barošanas sistēmu, kas aizsargāta ar noplūdes strāvas aizsardzības ierīcēm (RCD). Noplūdes strāvas aizsardzības ierīču izmantošana samazina elektriskās strāvas trieciena risku.
- 3) **PERSONĪGĀ DROŠĪBA**
- a) Darbinot elektroinstrumentu, esiet modri, pievērsiet uzmanību tam, ko jūs darāt, un rīkojieties ar to saprātīgi. Nelietojiet elektroinstrumentu, ja esat noguruši vai atrodaties apreibinošu vielu, alkohola vai medikamentu ietekmē. Pat viens mirklis neuzmanības elektroinstrumenta lietošanas laikā var kļūt par cēloni nopietnām traumām.
- b) Izmantojiet individuālos aizsarglīdzekļus. Vienmēr valkājiet acu aizsarglīdzekļus. Ja tiek lietots darba specifikai atbilstošs aizsargaprīkojums, piemēram, maska ar putekļu filtru, neslidoši darba apavi, ķivere vai austiņas, samazinās traumu gūšanas risks.
- c) Novērsiet nejaušas ieslēgšanās iespējamību. Pirms instrumenta pievienošanas strāvas avotam un/vai akumulatoru blokam pārliecinieties, vai slēdzis atrodas izslēgtā stāvoklī. Pārnēsājot elektroinstrumentu ar pirkstu uz slēdža vai iedarbinot elektroinstrumentu, kas jau ir ieslēgtā stāvoklī, var notikt nelaimes gadījums.
- d) Pirms elektroinstrumenta ieslēgšanas izņemiet visas noregulēšanas vai izgriežņu atslēgas. Regulēšanas instruments vai atslēga, kas palikusi elektroinstrumenta rotējošās daļās, var izraisīt traumas.
- e) Nepārvērtējiet savas spējas. Ieņemiet pareizu stāju un vienmēr saglabājiet līdzsvaru. Tādējādi jūs varēsiet labāk apvaldīt elektroinstrumentu negaidītās situācijās.
- f) Valkājiet atbilstošu apģērbu. Nevalkājiet vaļīgu apģērbu vai rotaslietas. Sargājiet maties, apģērbu un cimdus no kustīgajām daļām. Vaļīgs apģērbs, rotaslietas vai gari mati var iekerties instrumenta kustīgajās daļās.
- g) Ja iekārtas ir paredzētas savienošanai ar putekļu nosūkšanas un savākšanas iekārtām, pārliecinieties, vai tās ir pieslēgtas un tiek izmantotas pareizi. Putekļu savākšanas ierīču izmantošana var samazināt ar putekļiem saistītos apdraudējumus.
- h) Nepieļaujiet, ka iekārtas bieža lietošana varētu izraisīt nevērīgu attieksmi darbā ar to, un neignorējiet ar iekārtas lietošanu saistītos drošības principus. Viens brīdis neuzmanības var izraisīt nopietnas traumas.
- 4) **ELEKTROINSTRUMENTA LIETOŠANA UN AKPOKE**
- a) Nespiediet elektroinstrumentu ar spēku. Lietojiet attiecīgajam darbam piemērotāko elektroinstrumentu. Piemērots elektroinstrumenti labāk un drošāk spēs izpildīt veicamo darbu, darbojoties tam paredzētajā ātrumā.
- b) Nelietojiet elektroinstrumentu, ja to nav iespējams ieslēgt un izslēgt ar slēdzi. Ja elektroinstrumentu nav iespējams ieslēgt un izslēgt ar slēdzi, tas ir bīstams,

- tāpēc nekavējoties jāsalabo.
- c) Pirms jebkādu pielāgojumu veikšanas, piederumu maiņas vai elektroinstrumenta novietošanas glabāšanā atvienojiet kontaktdakšu no barošanas avota un/vai izņemiet no elektroinstrumenta akumulatora bloku, ja to var izdarīt. Šādi profilaktiski drošības pasākumi palīdz samazināt elektroinstrumenta nejaušas ieslēgšanās risku.
- d) Ja elektroinstrumenti kādu laiku netiek lietoti, uzglabājiet tos bērniem nepieejamā vietā un neļaujiet ar elektroinstrumentu darboties personām, kas instrumentu nepārzina vai nav izlasījušas šīs instrukcijas. Nemākulīgās rokās nonākuši elektroinstrumenti ir potenciāls briesmu avots.
- e) Veiciet elektroinstrumentam un piederumiem apkopi. Pārbaudiet, vai ir pareizi uzstādītas kustīgās daļas un vai tās neķeras, un vai elektroinstrumenta daļām nav bojājumu, kas var negatīvi ietekmēt tā darbību. Bojāts elektroinstrumenti ir jāsalabo pirms nākamās lietošanas reizes. Daudzu negadījumu cēlonis ir sliktā stāvoklī esošu elektroinstrumentu izmantošana.
- f) Griezējinstrumentiem jābūt asiem un tīriem. Rūpīgi kopti griezējinstrumenti retāk iestrēgst un ir vieglāk vadāmi.
- g) Lietojiet elektroinstrumentu, tā piederumus un maināmos instrumentus, kā arī citus saistītos elementus atbilstoši šiem norādījumiem, ņemot vērā darba apstākļus un veicamo uzdevumu. Elektroinstrumenta lietošana neparedzētiem mērķiem var radīt bīstamu situāciju.
- h) Rokturiem un satveršanas daļām jābūt sausiem, tīriem un uz tiem nedrīkst būt eļļa vai smērviela. Ja rokturi un satveršanas daļas ir mitras, tās slīdēs, un ar instrumentu vairs nebūs droši strādāt, kā arī apvaldīt neparedzētu apstākļu gadījumos.
- 5) **AKUMULATORA LIETOŠANA UN AKPOKE**
- a) Uzlādējiet instrumentu tikai ar ražotāja noteikto lādētāju. Lādētājs, kas paredzēts lietošanai tikai ar viena veida akumulatoru bloku, var radīt aizdegšanās draudus, ja to izmanto kopā ar citu akumulatoru bloku.
- b) Lietojiet elektroinstrumentus kopā tikai ar tiem paredzētiem akumulatoru blokiem. Jebkura cita akumulatoru bloka lietošana var radīt traumu gūšanas un aizdegšanās risku.
- c) Kad akumulatoru bloks netiek izmantots, neglabājiet to citu metāla priekšmetu, piemēram, papīra saspraucē, monētu, atslēgu, naglu, skrūvju vai citu sīku metāla priekšmetu, kas var veidot savienojumu starp spailēm, tuvumā. Akumulatora spaiļu īsslēgums var izraisīt aizdegšanos vai ugunsgrēku.
- d) Nepareizas rīcības gadījumā no akumulatora var iztect šķidrums; izvairieties no saskares ar to. Ja tas nejauši nokļuvis uz ādas, noskalojiet ar ūdeni. Ja šķidrums iekļuvis acīs, nekavējoties meklējiet medicīnisko palīdzību. No akumulatora izkļušais šķidrums var izraisīt kairinājumu vai apdegumus.
- e) Nelietojiet bojātu vai pārveidotu akumulatoru bloku vai instrumentu. Bojātu vai pārveidotu akumulatoru izmantošana var radīt neparedzamus apstākļus, kas rada aizdegšanās, sprādziena vai traumas gūšanas draudus.
- f) Nepakļaujiet akumulatoru bloku vai instrumentu uguns liesmu vai pārmērīgas temperatūras

iedarbībai. Uguns liesmu iedarbība vai temperatūra virs 130 °C var izraisīt sprādzienu.

- g) Izpildiet visas uzlādēšanas instrukcijas un neuzlādējiet akumulatoru bloku vai instrumentu ārpus instrukcijās norādītajām temperatūras vērtībām.** Ja iekārta tiek uzlādēta nepareizi vai tiek pārsniegtas instrukcijās norādītās uzlādēšanas temperatūras vērtības, akumulators var sabojāties un palielināt aizdegšanās risku.

6) SERVISS

- a) Elektroinstrumenta remontdarbus drīkst veikt tikai kvalificēts speciālists, izmantojot tikai oriģinālās rezerves daļas.** Tādējādi tiks garantēts elektroinstrumenta lietošanas drošums.
- b) Nekad neveiciet bojātam akumulatoru blokam remontdarbus pašrocīgi.** Bojāta akumulatoru bloka remontdarbus drīkst veikt tikai ražotājs vai pilnvaroti servisa darbinieki.

DROŠĪBAS NORĀDĪJUMI DARBAM AR BEZVADU FINIERZĀGI

- Veicot darbu, kura laikā stiprinājums var skart slēptus elektriskos vadus, turiet instrumentu tikai aiz izolētajām virsmām (stiprinājumiem skarot spriegumnesošus vadus, spriegums nonāk arī uz instrumenta metāla daļām un var izraisīt elektrisku triecienu)
- Izmantojiet skavas vai kādu citu praktisku metodi, lai nostiprinātu un atbalstītu apstrādājamo materiālu uz stabilas platformas (ja pieturēsiet apstrādājamo materiālu ar roku vai atbalstīsiet pret savu ķermeni, tas būs nestabils, un šādi jūs varat zaudēt vadību pār instrumentu)

VISPĀRĒJA INFORMĀCIJA

- Neapstrādājiet materiālus, kas satur azbestu (azbestam piemīt kancerogēnas īpašības)
- Šo instrumentu nedrīkst izmantot personas, kas jaunākas par 16 gadiem
- Darba laikā instrumenta radītā trokšņa līmenis var pārsniegt 85 dB(A); lietojiet ausu aizsargus
- Ja materiāla apstrādes gaitā veidojas skaidas, uzvelciet aizsargbrilles
- Materiāla, piemēram svinu saturošas krāsas, dažu koka šķirņu, minerālu un metāla, putekļi var būt kaitīgi (saskare ar putekļiem vai to ieelpošana var izraisīt alerģiskas reakcijas un/vai elpošanas ceļu saslimšanas operatoram vai klātesošajiem); izmantojiet putekļu masku un putekšsūcēju, ja to iespējams pievienot
- Dažu veidu putekļi ir klasificēti kā kancerogēni (piemēram, ozola vai dižskābarža putekļi), jo īpaši apvienojumā ar koksnes kondicionēšanas piedevām; izmantojiet putekļu masku un putekšsūcēju, ja to iespējams pievienot
- Ievērojiet ar putekļu savākšanu saistītos nacionālos noteikumus, kas attiecas uz apstrādājamajiem materiāliem
- Pirms instrumenta regulēšanas vai piederumu nomaiņas izņemiet no instrumenta akumulatoru

PIRMS DARBA UZSĀKŠANAS

- Pirms zāģēšanas nodrošiniet, lai zāģējuma trase no abām zāģējamā priekšmeta pusēm tiktu atbrīvota no jebkāda veida šķēršļiem
- Izvairieties no instrumenta bojājumiem, ko var radīt apstrādājamajā priekšmetā esošās skrūves, naglas vai

citi līdzīgi objekti; pirms darba uzsākšanas atbrīvojiet apstrādājamo materiālu no šādiem priekšmetiem

DARBA LAIKĀ

- Darba laikā netuviniet rokas figūrziģa asmenim

PIEDERUMI

- Firma SKIL garantē instrumenta nevainojamu darbību tikai tad, ja tiek lietoti oriģinālie papildpiederumi
- Neizmantojiet iekļautajiem, deformētiem vai neasus zāģa asmeņus

PĒC DARBA PABEIGŠANAS

- Pirms instrumenta novietošanas izslēdziet tā elektrodzinēju un nogaidiet, līdz ir pilnīgi apstājušās visas instrumenta kustīgās daļas

AKUMULATORI

- **Komplektā iekļautais akumulators ir daļēji uzlādēts** (lai nodrošinātu pilnu akumulatora jaudu, pirms elektroinstrumenta pirmās izmantošanas reizes uzlādējiet to pilnībā, izmantojot uzlādes ierīci).
- **Izmantojiet tikai instrumenta piegādes komplektā ietilpstošos akumulatorus un uzlādes ierīces**
 - SKIL akumulators: BR1*31****
 - SKIL lādētājs: CR1*31****
- Nelietojiet bojātu akumulatoru; tas nekavējoties jānomaina
- Neizjauciet akumulatoru
- Neatstājiet instrumentu/akumulatoru lietū
- Pieļaujamā apkārtējā gaisa temperatūra (instruments/lādētājs/akumulators):
 - uzlādes laikā 4...40 °C
 - darba laikā -20...+50 °C
 - uzglabāšanas laikā -20...+50 °C

UZ INSTRUMENTA/AKUMULATORA ATTĒLOTO

SIMBOLU SKAIDROJUMS

- ③ Pirms ekspluatācijas izlasiet instrukciju rokasgrāmatu
- ④ Ja akumulators tiks dedzināts, tas eksplodēs, tāpēc nekādā gadījumā to nededziniet
- ⑤ Uzglabājiet instrumentu/lādētāju/akumulatoru vietā, kur temperatūra nepārsniedz 50 °C
- ⑥ Neizmetiet elektroiekārtas un baterijas kopā ar sadzīves atkritumiem

LIETOŠANA

- Akumulatora uzlādēšana
! izlasiet lādētāja komplektā iekļautos drošas lietošanas noteikumus un norādījumus
- Akumulatora izņemšana/ievietošana ②
- Akumulatora uzlādes statusa indikators ⑦
 - Lai noskaidrotu akumulatora uzlādes līmeni ⑦a, nospiediet akumulatora līmeņa rādītāja pogu H
 - ! ja pēc H ⑦b pogas nospiešanas sāk mirgot akumulatora indikatora apakšējais līmenis, tas nozīmē, ka akumulators ir tukšs**
 - ! ja pēc pogas H ⑦c nospiešanas sāk mirgot 2 akumulatora indikatora līmeņi, tas nozīmē, ka akumulators neatrodas pieļaujamajā darba temperatūras diapazonā**
- LED gaisma ⑭
 - Ieslēdzot ieslēgšanas/izslēgšanas slēdzi, automātiski iedegas LED gaisma B.
 - ! LED darba gaismai sākot mirgot, tiek aktivizēta akumulatora aizsardzība (skatīt zemāk)**
- Akumulatora aizsardzība
Instruments tiek tūlīt izslēgts vai arī to nav iespējams

ieslēgt, ja

- **pārāk liela slodze** -> samaziniet slodzi un ieslēdziet instrumentu no jauna
- **akumulatora temperatūra ir ārpus atļautā darba diapazona no -20 līdz +50 °C** --> nospiežot pogu H(7)c, sāk mirgot akumulatora 2 līmeņu rādītāja iedaļas; pagaidiet, līdz akumulatora temperatūra atkal ir atļautajā darba diapazonā
- **akumulators ir gandrīz tukšs (aizsardzībai pret pilnīgu izlādi)** --> nospiežot pogu H, akumulatora līmeņa rādītājā ir attēlota zemākā akumulatora līmeņa rādītāja iedaļa vai mirgojoša zemākā akumulatora līmeņa rādītāja iedaļa (7)b; uzlādējiet akumulatoru
- ! **pēc instrumenta automātiskas izslēgšanās nedrīkst spiest ieslēgšanas un izslēgšanas slēdzi, jo tā var sabojāt akumulatoru**

- Ieslēgšana/izslēgšana (8)

- lai ieslēgtu/izslēgtu instrumentu, nospiediet ieslēgšanas un izslēgšanas slēdzi "I/O" stāvoklī

- Ātruma regulēšana (9)

- ar pārslēgšanas pogu F var izvēlēties vēlamo zāgēšanas ātrumu

Optimālais darba ātrums ir atkarīgs no materiāla, un to var noteikt, izmēģinot praksē

Ar pārslēgšanas pogu F, kas iestatīta "A" stāvoklī, tiek samazināts brīvgaitas ātrums, kas ļauj kontrolēt instrumenta palaišanu

- zāgēšanas laikā ātrums automātiski palielināsies, līdz tas uzņems pilnu ātrumu

! **instrumenta atgriezies pie lēnāka brīvgaitas ātruma tikai pēc atkārtotas palaišanas**

- Zāga asmens nomaiņa (10)

! **pirms instrumenta regulēšanas vai piederumu nomaiņas izņemiet no instrumenta akumulatoru**
! **ievietojiet zāga asmens kātu turētājā līdz galam tā, lai asmens zobi būtu vērsti zāgējuma virzienā (11)**

- I instrumentam var uzstādīt visbiežāk pieejamos asmeņus ar T veida kātu (10)

- lai izstumtu asmeni, izmantojiet tikai asmens skavas C svīru (nav nepieciešams pieskarties asmenim)

- Zāgēšana 45° leņķī (12)

- Zāgēšanas režīma izvēle (13)

Izmantojiet svīru D, lai regulētu orbitālo griešanu no precīzas zāgēšanas (=0) līdz lielākam (= 3) zāgēšanas ātrumam

- 1 zāgēšanas režīms ("0") paredzēts precīzai zāgēšanai, veidojot taisnus un lokveida zāgējumus visu veidu materiālos

- 3 zāgēšanas režīma iestādījumi paredzēti ātrai zāgēšanai, veidojot taisnus zāgējumus šādos materiālos

1 = alumīnijam, plastmasai

2 = cietai koksnei

3 = mīkstai koksnei

! **ja tiek apstrādāts materiāls, kam raksturīga daļiņu atšķelšanās, izvēlieties zāgēšanas režīmu "0"**

- Putekļu uzsūkšana (15)

- pievienojiet putekļsūcēja adapteri J pie pamatnes plāksnes

- savienojiet putekļu sūcēja šļūteni ar putekļsūcēja adapteru J

! **neizmantojiet putekļsūcēju, apstrādājot metālu**

- Instrumenta darbināšana

- pirms instrumenta ieslēgšanas, novietojiet tā pamatnes

priekšējo daļu uz apstrādājamā priekšmeta

- lai instrumentu varētu droši vadīt, turiet to stingri ar abām rokām

! **darba laikā vienmēr turiet instrumentu aiz pelēkās krāsas noturvirsmas(ām) (16)**

- nodrošiniet, lai instrumenta pamatne darba laikā pilnībā balsītos uz apstrādājamā priekšmeta

! **pirms instrumenta pacelšanas no zāgējamā priekšmeta nogaidiet, līdz tā asmens pilnīgi apstājas**

- nenosprostojiet ventilācijas atveres G(2)

PRAKTISKI PADOMI

- Lietojiet apstrādājamā materiāla īpašībām piemērotus zāga asmeņus (17)

! **instrumentam var uzstādīt visbiežāk pieejamos asmeņus ar T veida kātu**

- Zāgējot metālu, periodiski ieeļļojiet zāga asmeni
- Lai veiktu izzāgēšanu, izveidojiet apstrādājamajā priekšmetā priekšurbumu (18)
- Zāgēšana bez apstrādājamā materiāla daļiņu atšķelšanās
 - pirms zāgēšanas pārklājiet zāgējuma līniju ar vairākiem slāņiem platas līmlentes
 - novietojiet apstrādājamo priekšmetu tā, lai zāgēšanas laikā dekoratīvā puse būtu vērstā lejup
- Papildu informāciju skatīt tīmekļa vietnē www.skil.com

APKOPE/SERVISS

- Šis instruments nav paredzēts profesionālai lietošanai.
- Vienmēr uzturiet instrumentu tīru (īpaši ventilācijas atveres G(2))
! **pirms tīrīšanas izņemiet no instrumenta akumulatoru**
- Ja, neraugoties uz augsto izgatavošanas kvalitāti un rūpīgo pērcražošanas pārbaudi, instruments tomēr sabojājas, tas jānogādā remontam firmas SKIL pilnvarotā elektroinstrumentu remonta darbnīcā.
 - nogādājiet instrumentu **neizjauktā veidā** kopā ar iegādes dokumentiem tuvākajā tirdzniecības vietā vai firmas SKIL pilnvarotā pēciegādes apkalpošanas un remonta iestādē (adreses un instrumenta apkalpošanas shēma ir sniegta interneta vietnē www.skil.com)
 - Ievērojiet, ka garantijā neietilpst pārslodzes vai nepareizas instrumenta ekspluatācijas izraisītie bojājumi (SKIL garantijas noteikumus skatiet www.skil.com vai vērsieties pie izplatītāja)

APKĀRTĒJĀS VIDES AIZSARDZĪBA

- **Neizmetiet elektroiekārtas, baterijas, piederumus un iesaiņojuma materiālus sadzīves atkritumos** (tikai ES valstīm)
 - saskaņā ar Eiropas Savienības direktīvu 2012/19/ES par nolietotajām elektriskajām un elektroniskajām iekārtām un tās atspoguļojumiem nacionālajā likumdošanā, nolietotās elektroiekārtas ir jāsavāc, jāizjauc un jānogādā atbilstoši pārstrādei apkārtējai videi nekaitīgā veidā
 - Simbols (6) atgādina par nepieciešamību tos likvidēt videi nekaitīgā veidā.
- ! **pirms akumulatora utilizācijas tā kontakti jāaplimē**

ar izoliacijos lenti, lai nepieļautu īssavienojuma rašanos starp tiem

TROKSNIS / VIBRĀCIJA

- Veicot mērījumus atbilstoši EN 62841, šī instrumenta akustiskā spiediena līmenis ir 87 dB(A) un akustiskās jaudas līmenis ir 98 dB(A) (nenoteiktība K = 3 dB), bet vibrācija* (triaksiālā vektora summa; nenoteiktība K = 1,5 m/s²)

* zāģēšanas dēlis 7,68 m/s²

* metāla plāksņu griešana 6,08 m/s²

- Vibrācijas līmenis ir noteikts, izmantojot standartā EN62841 paredzēto procedūru; to var izmantot, lai salīdzinātu instrumentus un provizoriski izvērtētu vibrācijas iedarbību, lietojot instrumentu minētajiem mērķiem
 - instrumenta izmantošana citiem mērķiem vai ar citiem vai nepietiekami koptiem piederumiem var ievērojami palielināt kopējo vibrācijas iedarbības pakāpi
 - laika periodi, kad instruments ir izslēgts vai arī ir ieslēgts, taču darbs ar to nenotiek, var ievērojami samazināt kopējo vibrācijas iedarbības pakāpi, samazinot iedarbības līmeni
- ! **pasargājiet sevi no vibrācijas iedarbības, veicot instrumenta un tā piederumu tehnisko apkopi, novēršot roku atdzišanu un pareizi organizējot darbu**

LT

Kompaktišķas siaurapjūklis 3440 su bešepēču varikliu

IĻVADAS

- Šiuo īrankiu galima atlikti skersinius pjūvius bei išpjuvas medienoje, plastike ir metale; galima atlikti tiesius arba figūrinius pjūvius iki 45° kampu.
- Šis įrankis neskirtas profesionaliam naudojimui.
- Jei trūksta kokių nors dalių ar jos pažeistos, kreipkitės į įrankio pardavėją.
- **Atidžiai perskaitykite šį instrukcijų vadovą ir išsaugokite jį ateičiai.** ③
- **Ypatingą dėmesį atkreipkite į saugos instrukcijas ir įspėjimus; jei nepaisysite šių nurodymų, galite sunkiai susižaloti.**

TECHNINIAI DUOMENYS ①

ĮRANKIO DALYS ②

- A Įjungimo ir išjungimo jungiklis
- B LED lemputė
- C Be įrankių suveržiamas geležtės spauštavas
- D Švytuoklinio judesio valdymo svirtelė
- E Pagrindo plokštelė
- F Pjovimo judesį dažnio reguliavimo ratukas
- G Ventilacinės angos
- H Baterijos įkrovos lygio indikatorius mygtukas
- J Dulkių siurblio prijungimo adapteris
- K Šešiabriaunis raktas

SAUGA

BENDRIEJI ĮSPĖJIMAI DĖL DARBO SU ELEKTRINIŲ ĮRANKIŲ SAUGOS

Į ĮSPĖJIMAS Perskaitykite visus su šiuo elektriniu įrankiu pateiktus įspėjimus dėl saugos, instrukcijas, peržiūrėkite paveikslus ir specifikacijas. Nesilaikant visų toliau išdėstytų nurodymų galima patirti elektros smūgi, sukelti gaisrą ir (ar) sunkiai susižaloti.

Išsaugokite visas instrukcijas su įspėjimais, nes jų gali prireikti ateityje.

Įspėjimuose vartojamu terminu „elektrinis įrankis“ nurodomas iš elektros lizdo maitinamas (laidinis) arba baterija maitinamas (belaidis) elektrinis įrankis.

1) SAUGA DARBO VIETOJE

- a) **Darbo vieta turi būti švari ir gerai apšviesta.** Jei darbo vieta netvarkinga ar blogai apšviesta, gali įvykti nelaimingas atsitikimas.
- b) **Nedirbkite su elektriniu įrankiu sprogioje aplinkoje, pavyzdžiui, ten, kur yra degių skysčių, dujų arba dulkių.** Elektriniai įrankiai gali kibirkščiuoti, o nuo kibirkščių gali užsidegti dulkės arba susikaupę garai.
- c) **Dirbdami su elektriniu įrankiu, neleiskite artintis vaikams ir pašaliniais asmenims.** Dėl dėmesio blaškymo galite nesuvaldyti įrankio.

2) ELEKTROSAUGA

- a) **Elektrinio įrankio kištukas turi tikti elektros lizdui.** Niekada ir jokiais būdais nebandykite perdaryti kištuko. Su įžemintais elektriniais įrankiais nenaudokite jokių kištuko adapterių. Originalūs kištukai, tiksliai tinkantys elektros tinklo lizdai, sumažina elektros smūgio pavojų.
- b) **Nesilieskite prie įžemintų paviršių, pavyzdžiui, vamzdžių, radiatorių, viryklių ir šaldytuvų.** Jei jūsų kūnas bus įžemintas, padidės elektros smūgio pavojus.
- c) **Saugokite elektrinius įrankius nuo lietaus ir drėgmės.** Į elektrinio įrankio vidų patekus vandeniui padidėja elektros smūgio pavojus.
- d) **Atsargiai elkitės su maitinimo laidu.** Niekada neneškite ir netempkite elektrinio įrankio, laikydami už maitinimo laido. Netraukite laikydami už maitinimo laido, norėdami ištraukti kištuką iš elektros lizdo. Saugokite laidą nuo kaitros šaltinių, alyvos, aštrių briaunų ir judančių dalių. Pažeidus arba supainiojus laidus išauga pavojus patirti elektros smūgi.
- e) **Kai elektriniu įrankiu dirbate lauke, naudokite laukui skirtą laidą, sumažėja pavojus patirti elektros smūgi.**
- f) **Jeigu elektrinio įrankio naudojimas drėgnoje vietoje yra neišvengiamas, naudokite maitinimo šaltinį su liekamąja srove valdomu atjungimo įtaisu (RCD).** RCD naudojimas sumažina elektros smūgio pavojų.

3) ASMENINĖ SAUGA

- a) **Dirbdami su elektriniu įrankiu būkite budrus, stebėkite, ką darote, ir vadovaukitės sveika nuovoka.** Nedirbkite su elektriniu įrankiu, jei esate pavargę arba vartojote narkotikus, alkoholį ar medikamentus. Dirbant su elektriniais įrankiais pakanka

- vienos neatidumo akimirkos ir galima sunkiai susižaloti.
- b) Naudokite asmeninės apsaugos priemones.**
Visada būkite su apsauginiais akiniais. Darbo tam tikromis sąlygomis metu naudojant asmeninės apsaugos priemones, pvz., apsaugos nuo dulkių kaukę, neslystančius batus, apsauginį šalną ar klausos apsaugos priemones, sumažėja pavojus susižaloti.
- c) Apsisaugokite nuo atsitiktinio įrankio įsijungimo.**
Prieš jungdami prie maitinimo šaltinio ir (ar) sudėtinės baterijos, prieš įrankį keldami arba nešdami įsitikinkite, kad jungiklis yra išjungimo padėtyje. Nešant elektrinius įrankius uždėjęs pirštą ant jungiklio arba netyčia įjungiant elektrinį įrankį su įjungtu jungikliu, gali įvykti nelaimingas atsitikimas.
- d) Prieš įjungdami elektrinį įrankį, patraukite j šalį visus reguliavimo raktus ir veržliarakčius.** Elektrinio įrankio sukamojoje dalyje likus raktui ar veržliarakčiui galima susižaloti.
- e) Nesistenkite pasiekti pernelyg toli. Visada stovėkite tvirtai ir išlaikykite pusiausvyrą.** Tuomet geriau suvaldysite elektrinį įrankį netikėtose situacijose.
- f) Dėvėkite tinkamus drabužius. Nedėvėkite laisvų drabužių ir nenešiokite laisvai kabančių papuošalų. Saugokite savo plaukus ir drabužius nuo judamų dalių.** Laisvus drabužius, papuošalus ar ilgus plaukus gali įtraukti besisukančios dalys.
- g) Jei yra įtaisai, skirti dulkių išsibiro ir surinkimo įtaisams prijungti, tinkamai juos prijunkite ir naudokite.** Naudojant dulkių surinkimo įrenginius, gali sumažėti su dulkelėmis susijusių pavojų.
- h) Dažnai naudodami įrankius pernelyg savimi nepasitikėkite ir nepraraskite budrumo, kad paisytumėte saugaus įrankio naudojimo taisyklių.** Užtenka akimirkos išsiblašymo, kad dėl neatsargaus veiksmo sunkiai susižalotumėte.
- 4) ELEKTRINIŲ ĮRANKIŲ NAUDOJIMAS IR PRIEŽIŪRA**
- a) Elektrinio įrankio pernelyg nespauskite. Naudokite jūsų darbui tinkamą elektrinį įrankį.** Veikdamas numatytuoju greičiu, tinkamas elektrinis įrankis darba atlieka veiksmingiau ir saugiau.
- b) Nenaudokite elektrinio įrankio, jeigu jo negalima įjungti ar išjungti jungikliu.** Bet koks elektrinis įrankis, kurio jungiklis neveikia, yra pavojingas, tad jį būtina sutaisyti.
- c) Prieš reguliuodami elektrinį įrankį, keisdami jo priedus arba padėdami jį į laikymo vietą, atjunkite kištuką nuo maitinimo šaltinio ir (ar) sudėtinę bateriją nuo įrankio.** Šios prevencinės saugumo priemonės apsaugos jus nuo netyčinio elektrinio įrankio įjungimo.
- d) Nenaudojamus elektrinius įrankius laikykite vaikams neprieinamoje vietoje. Su elektriniu įrankiu neieškite dirbti asmenims, nesusipažinusiems su įrankiu arba šia instrukcija. Neapmokytų naudotojų naudojami elektriniai įrankiai kelia pavojų.**
- e) Tinkamai prižiūrėkite elektrinius įrankius ir jų priedus. Tikrinkite, ar sukamos jų dalys išcentruotos ir nestringa, ar nėra sulūžusių dalių ir kitų sąlygų, galinčių turėti įtakos elektrinio įrankio veikimui. Jei elektrinis įrankis sugedęs, prieš naudodami jį suremontuokite.** Daugelio nelaimingų atsitikimų priežastis yra netinkama elektrinių įrankių priežiūra.
- f) Pjovimo įrenginiai turi būti aštrūs ir švarūs. Tinkamai**

- prižiūrėti pjovimo įrankiai aštriais ašmenimis rečiau stringa ir lengviau valdomi.
- g) Elektrinį įrankį, priedus, antgalius ir kitas dalis naudokite pagal šią instrukciją, atsižvelgdami į darbo sąlygas ir atliekamą darbą.** Naudojant elektrinius įrankius ne pagal paskirtį gali susidaryti pavojingos aplinkybės.
- h) Įrankių rankenos ir sugriebimo paviršiai turi būti sausi, švarūs ir neištepti alyva ar tepalu.** Dėl slidžių rankenų ir sugriebimo paviršių įrankį sunku saugiai valdyti ir jis gali išsprūsti netikėtomis aplinkybėmis.
- 5) AKUMULIATORINIŲ ĮRANKIŲ NAUDOJIMAS IR PRIEŽIŪRA**
- a) Kraukite naudodami tik gamintojo nurodytą įkroviklį.** Naudojant įkroviklį, skirtą kito tipo sudėtinei baterijai, gali kilti gaisro pavojus.
- b) Elektrinius įrankius naudokite tik su jiems skirtomis sudėtinėmis baterijomis.** Naudojant kitokias sudėtines baterijas gali kilti sužalojimų ir gaisro pavojus.
- c) Nenaudojama sudėtinė baterija turi būti laikoma atokiau nuo metalinių daiktų, tokių kaip sąvaržėlės, monetos, raktai, viny, varžtai ar kiti smulkūs metaliniai daiktai, galintys sujungti abu baterijos gnybtus.** Įvykus trumpajam jungimui tarp baterijos gnybtų galima nusideginti ar gali kilti gaisras.
- d) Dėl netinkamų sąlygų iš baterijos gali iškėti skystis – nelieskite jo. Skystiui atsitiktinai patekus ant odos, nedelsiant nuplaukite vandeniu. Jeigu skystis pateko į akis, papildomai kreipkitės pagalbos į gydytojus.** Iš baterijos ištekėjęs skystis gali dirginti arba nudeginti.
- e) Nenaudokite pazeistos ar modifikuotos sudėtinės baterijos ar įrankio.** Tokios netinkamos sudėtinės baterijos gali kelti gaisro, sprogdimo ar sužalojimo pavojų.
- f) Sudėtinės baterijos ar įrankio negalima deginti ar kaitinti.** Bateriją deginant ar įkaitinus virš 130 °C ji gali sprogti.
- g) Laikykites įrankio ar sudėtinės baterijos įkrovimo instrukcijų ir įkrovimą vykdykite nurodytame temperatūrų diapazone.** Priešingu atveju galite sugadinti sudėtinę bateriją ar net sukelti gaisrą.
- 6) TECHNINĖ PRIEŽIŪRA**
- a) Jūsų elektrinio įrankio techninės priežiūros darbus gali vykdyti tik kvalifikuotas remonto meistras, naudodamas tik identiškas atsargines dalis.** Tokiu būdu elektrinis įrankis išliks saugus.
- b) Niekada neremontuokite sugadintos sudėtinės baterijos.** Tokias baterijas remontuoti gali tik gamintojas arba įgalioto techninės priežiūros centro specialistai.

SAUGOS INSTRUKCIJOS DIRBANTIEMS SU BELAIDŽIAIS SIAURAPJŪKLIAIS

- Jei atliekate darbus, kurių metu darbo įrankis gali kliudyti paslėptus elektros laidus, tuomet elektrinį įrankį laikykite sugriebę izoliuotas rankenas (įrankio antgaliui pažeidus laidą, kuriuo teka elektros srovė, metalinėse elektrinio įrankio dalyse gali atsirasti įtampa ir išitekti elektros smūgis).
- Darbo ruošinį prie stabilaus pagrindo pritvirtinkite spaustuvais ar kitomis tinkamomis priemonėmis (rankoje laikomas ar į kūną atremtas ruošinys yra nestabilus ir galite nesuvaldyti jo arba įrankio).

BENDRIEJI NURODYMAI

- **Nepjunkite medžiagų, kurių sudėtyje yra asbesto** (asbestas gali sukelti vėžį).
- Šį įrankį gali naudoti tik asmenys nuo 16 metų amžiaus.
- Darbo metu triukšmo lygis gali viršyti 85 dB(A); naudokite klausos apsaugos priemones.
- Jeigu apdirbant medžiagas susidaro daug atplaišų, dirbkite su apsauginiais akiniais.
- Kai kurių medžiagų, kaip antai dažų, kurių sudėtyje yra švino, kai kurių medžių rūšių medienos, mineralų ir metalo dulksės gali būti kenksmingos (sąlytis su šiomis dulksėmis arba įkvėptos dulksės gali sukelti operatoriui arba šalia esantiems žmonėms alergines reakcijas ir (ar) kvėpavimo sistemos susirgimus); **mūvėkite apsaugos nuo dulkių kaukę ir dirbdami naudokite dulkių ištraukimo įrenginį, jei jį galima prijungti.**
- Kai kurių rūšių dulksės priskiriamos kancerogeninėms (pvz., ažuolo arba buko medienos dulksės), ypač susimaišiusios su medienos taurinimi naudojamais priedais; **mūvėkite apsaugos nuo dulkių kaukę ir dirbdami naudokite dulkių ištraukimo įrenginį, jei jį galima prijungti.**
- Vadovaukitės šalyje taikomų direktyvų reikalavimais, skirtais medžiagoms, su kuriomis norite dirbti.
- Atlikdami bet kokius pakeitimus arba pavyzdžiui keisdami priedus, išimkite bateriją.

PRIEŠ DARBĄ

- Prieš pradėdami pajauti pašalinkite visas pjūvio linijoje esančias kliūtis tiek ruošinio viršuje, tiek ir apačioje.
- Saugokite, kad nesugadintumėte įrankio į sraigtus, vinis ir kitas kliūtis ruošinyje; prieš pradėdami darbą juos pašalinkite.

DARBO METU

- Nekiškite rankų prie pjūklo geležtės, kai įrankis veikia.

PRIEDAI

- SKIL gali garantuoti nepriekaištingą įrankio veikimą tik tuo atveju, jei naudojama originali papildoma įranga ir priedai.
- Nenaudokite įtrūkusių, sulenktų ar atšipusių pjūklo geležčių.

PO DARBO

- Prieš padėdami įrankį jį išjunkite ir palaukite, kol visos besisukančios dalys visiškai sustos.

BATERIJOS

- **Pridedama baterija yra iš dalies įkrauta** (kad baterija veiktų visa galia, iki galo ją įkraukite įstatę į baterijų įkroviklį, prieš pirmą kartą naudodami elektrinį įrankį).
- **Su šiuo įrankiu naudokite tik šias baterijas ir įkroviklius:**
 - SKIL baterija: BR1 *31****
 - SKIL įkroviklis: CR1 *31****
- Nenaudokite pažeistų baterijų – jas būtina nedelsiant pakeisti.
- Baterijų neardykite.
- Nepalikite įrankio ir baterijos lietuje.
- Leistina aplinkos temperatūra (įrankio, įkroviklio, baterijos):
 - įkrovimo metu 4...40 °C
 - darbo metu -20...+50 °C
 - laikymo metu -20...+50 °C

SIMBOLIŲ ANT ĮRANKIO IR BATERIJOS PAAIŠKINIMAS

- ③ Prieš naudojant įrankį perskaityti instrukcijų vadovą.
- ④ Įmestos į ugnį baterijos gali sprogti; draudžiama baterijas deginti.
- ⑤ Laikyti įrankį / įkroviklį / bateriją vietoje, kurioje

temperatūra neviršija 50 °C.

- ⑥ Elektrinius įrankius ir baterijas draudžiama išmesti kartu su buitinėmis atliekomis.

NAUDOJIMAS

- Baterijos įkrovimas
 - ! **Perskaitykite saugos įspėjimus ir instrukcijas, pateiktas kartu su įkrovikliu.**
- Baterijos išėmimas ir įstatymas ②
- Baterijos įkrovos indikatorius ⑦:
 - spustelėkite baterijos įkrovos indikatorius mygtuką H, jei norite pamatyti baterijos įkrovos lygį ⑦a.
 - ! **Jei paspaudus mygtuką H ⑦b pradeda mirksėti mažiausias baterijos įkrovos indikatorius, tai reiškia, kad baterija išsikrovusi.**
 - ! **Jei paspaudus mygtuką H ⑦c pradeda mirksėti 2 baterijos įkrovos indikatoriai, tai reiškia, kad baterijos temperatūra nėra leistiname darbo diapazone.**
- LED lemputė ⑭
 - LED lemputė užsidega automatiškai, įjungus įjungimo ir išjungimo jungiklį.
 - ! **Jei LED darbinė lemputė pradeda mirksėti, tai reiškia, kad suveikė baterijos apsauga (žr. toliau).**
- Baterijos apsauga
 - Įrankis staiga išsijungia arba jo nepavyksta įjungti, jeigu:
 - **apkrova per didelė** --> pašalinkite apkrovą ir vėl paleiskite;
 - **baterijos temperatūra nėra leistiname darbo diapazone** nuo -20 °C iki +50 °C --> paspaudus mygtuką H ⑦c pradeda mirksėti 2 baterijos įkrovos indikatoriai; palaukite, kol baterijos temperatūra grįš į leistiną darbo diapazoną;
 - **baterija beveik išsikrovusi (apsauga nuo visiško išsikrovimo)** --> paspaudus mygtuką H rodomas žemas baterijos lygis arba mirksi žemo įkrovos lygio indikatorius ⑦b; įkraukite bateriją.
 - ! **Nelaikykite nuspaudę pagrindinio jungiklio, jei įrankis išsijungė automatiškai, nes galite sugadinti bateriją.**
- Įjungimas ir išjungimas ⑧
 - įrankis įjungiamas arba išjungiamas nustatant jungiklį A į „I“ / „O“ padėtį.
- Greičio valdymas ⑨
 - reguliavimo ratuku F galima pasirinkti norimą pjovimo greitį;
 - Optimalus darbo greitis priklauso nuo medžiagos ir gali būti nustatytas praktiniais bandymais.
 - Ratuką F nustačius į „A“ padėtį, sumažinamas greitis be apkrovos, kad būtų galima tinkamai pradėti pjauti.
 - pjovimo metu greitis automatiškai padidėja iki maksimalaus.
 - ! **Įrankio greitis vėl sumažės iki greičio be apkrovos tik paleidus iš naujo.**
- Pjūklo geležtės keitimas ⑩
 - ! **Prieš įrankį reguliuodami ar keisdami priedus atjunkite bateriją.**
 - ! **Įkiškite geležtę iki galo dantukais į priekį. ⑪**
 - įrankiui tinka įprastinės geležtės su „T“ formos kotais ⑩;
 - geležtei išimti pakanka paspausti spaustuką C (geležtės liesti nereikia).
- Pjovimas 45° kampu ⑫

- Pjovimo režimo pasirinkimas ¹³
Svirtele D pasirinkite norimą švytuoklinio judesio amplitudę (nuo padėties „0“, skirtos tiksliems pjūviams, iki padėties „3“, skirtos pjauti greitai).
- 1 padėtis („0“) skirta tiksliam visų medžiagų pjovimui, atliekant tiesius ir figūrinius pjūvius;
- 3 padėtys greitam pjovimui skirtingose medžiagose, pjaunant tik tiesiai:
1 = aliuminiui, plastikui
2 = kietai medienai
3 = minkštai medienai
! Visada rinkitės „0“ padėtį, kai pjaunate greitai skylančias medžiagas.
- Dulkių nusiurbimas ¹⁵
- prijunkite dulkių siurblio adapterį J prie pagrindo plokštelės;
- prijunkite dulkių siurblio žarną prie dulkių siurblio adapterio J.
! Nenaudokite dulkių siurblio pjaudami metalą.
- Įrankio naudojimas
- prieš įjungdami įrankį atremkite priekinį pagrindo plokštelės galą į darbo ruošinį;
- įrankį visuomet tvirtai laikykite abiem rankomis, kad dirbdami galėtumėte jį valdyti;
! Dirbdami visada laikykite įrankį už pilka spalva pažymėtų sugriebimo vietų. ¹⁶
- pjovimo metu visas pagrindo plokštelės paviršius turi remtis į ruošinį;
! Prieš atkeldami įrankį nuo ruošinio patikrinkite, ar geležtė visiškai sustojo.
- neuždenkite ventiliacinių angų G ².

NAUDOJIMO PATARIMAI

- Naudokite tinkamas pjūklo geležtes ¹⁷
! Įrankiui tinka įprastinės geležtės su „T“ formos kotais.
- Pjaudami metalą periodiškai sutepkite geležtę alyva.
- Norėdami padaryti išpjovas viduryje ruošinio, prieš tai išgręžkite jame skylę ¹⁸.
- Pjovimas be atplaišų:
- prieš pjaudami pjūvio liniją užklijuokite kelias sluoksniais lipnios juostos;
- apverskite ruošinį gerąja puse į apačią.
- Daugiau informacijos rasite internete www.skil.com.

TECHNINĖ PRIEŽIŪRA IR REMONTAS

- Šis įrankis neskirtas profesionaliam naudojimui.
- Įrankis visada turi būti švarus (ypač ventiliacinės angos G ²).
- ! Prieš valydami išimkite iš įrankio bateriją.**
- Jeigu įrankis, nepaisant gamykloje atliekamo kruopštaus gamybos ir kontrolės proceso, vis dėlto sugestų, jo remontas turi būti atliekamas įgaliotose SKIL elektrinių įrankių remonto dirbtuvėse:
- **neišardytą** įrankį kartu su pirkimo čekiu siųskite įrankio pardavėjui arba į artimiausią SKIL įmonės įgaliotą techninės priežiūros centrą (adresus bei atsarginių dalių brėžinius rasite www.skil.com).
- Turėkite omeny, kad garantija netaikoma, jei gedimas atsiranda dėl perkrovo ar netinkamo naudojimo (dėl SKIL garantijos sąlygų žr. www.skil.com arba kreipkitės į pardavėją).

APLINKOSAUGA

- **Nemeskite elektrinių įrankių, baterijų, papildomos įrangos ir pakuotės į buitinių atliekų konteinerius** (galioja tik ES valstybėms):
- pagal ES Direktyvą 2012/19/EB dėl naudotų elektrinių ir elektroninių prietaisų atliekų utilizavimo ir pagal galiojančius nacionalinius įstatymus netinkami naudoti elektriniai įrankiai turi būti surenkami atskirai ir pristatyti į tokių atliekų surinkimo vietas;
- simbolis ⁶ primins apie tai, kai tokią įrangą reikės išmesti.
! Prieš išmesdami bateriją izoliuokite jos kontaktus, kad nevyktų trumpasis jungimas.

TRIUKŠMAS / VIBRACIJA

- Išmatavus pagal EN62841 standartą, šio įrankio garso slėgio lygis yra 87 dB(A), garso galios lygis yra 98 dB(A) (neapibrėžtis K = 3 dB), o vibracija * (trიაšio vektoriaus suma; neapibrėžtis K = 1.5 m/s²).
* pjaunant plokštes 7.68 m/s²
* metalo lakštų pjovimas 6.08 m/s²
- Vibracijos sklaidos lygis išmatuotas pagal standarte EN 62841 išdėstytus standartizuoto bandymo reikalavimus; ši vertė gali būti naudojama vienam įrankiui palyginti su kitu bei išankstiniam vibracijos poveikiui įvertinti, kai įrankis naudojamas paminėtais būdais:
- naudojant įrankį kitokiais būdais arba su kitokiais bei netinkamai prižiūrimais prietaisais, gali ženkliai išaugti poveikio lygis;
- kai įrankis išjungtas arba yra įjungtas, tačiau juo nedirbama, gali ženkliai sumažėti poveikio lygis.
! Apsisaugokite nuo vibracijos poveikio prižiūredami įrankį ir jo priedus, laikydami rankas šiltai ir derindami darbo ciklus su pertraukėlėmis.

МК

Компактна уводна
пила без четки

3440

УПАТСТВО

- Овој алат е наменет за пресекување и отсекување на дрво, пластика, метал и се користи за рамно сечење и за заоблено сечење под агол до 45°
- Овој алат не е наменет за професионална употреба
- Контакттирајте го продавачот ако недостасуваат делови или истите се оштетени
- **Внимателно прочитајте го упатството за работа пред употреба и зачувајте го за во иднина** ³
- **Обрнете особено внимание на безбедносните упатства и предупредувања; непридржувањето до овие упатства може да доведе до сериозна повреда**

ТЕХНИЧКИ ПОДАТОЦИ ¹

ЕЛЕМЕНТИ НА АЛАТОТ ²

- A Прекинувач за вклучување/исклучување
- B ЛЕД-светло
- C Држач за сечило без инструменти

- D Рачка за орбитална контрола
- E Ножна педала
- F Тркало за прилагодување на брзината на сечење со пилата
- G Отвори за вентилација
- H Копче за индикаторот за нивото на батеријата
- J Адаптер за правосмукалката
- K Хексагонален клуч

БЕЗБЕДНОСТ

ОПШТИ ПРЕДУПРЕДУВАЊА ЗА БЕЗБЕДНОСТ НА ЕЛЕКТРИЧНИТЕ АЛАТИ

▣ ПРЕДУПРЕДУВАЊЕ Прочитајте ги сите безбедносни предупредувања, упатства, слики и спецификации што се обезбедуваат со овој алат. Непочитувањето на сите упатства подолу може да доведе до електричен удар, пожар и/или сериозна повреда.

Чувајте ги сите предупредувања и упатства за понатамошно упатување.

Поимот „електричен алат“, кој се користи во предупредувањата, се однесува на вашиот електричен алат (со приклучен кабел) или на електричен алат со погон на батерији (без приклучен кабел).

1) БЕЗБЕДНОСТ НА РАБОТНОТО МЕСТО

- a) **Одржувајте го работното место чисто и добро осветлено.** Неуреден или темен работен простор може да предизвика незгоди.
- b) **Немојте да работите со електрични алати во средини во кои има опасност од експлозија, како на пример во кои има запалливи течности, гасови или прашина.** Електричните алати создаваат искри коишто може да запалат прашина или испарувања.
- c) **Држете ги децата и другите лица подалеку додена ранувате со електричен алат.** Може да изгубите контрола ако нешто ви го одзема вниманието.

2) ЕЛЕКТРИЧНА СИГУРНОСТ

- a) **Приклучоците за електричниот алат мораат да одговараат на штекерот.** Никогаш на никаков начин не го менувајте приклучокот. Не користете никакви адаптери за приклучоци со (заземјени) електрични алати. Немодифицираните приклучоци и соодветните штекери ќе ја намалат опасноста од струен удар.
- b) **Избегнувајте допир на телото со заземјени површини, како што се цевни, радијатори, шпорети и фрижидери.** Постои зголемена опасност од струен удар, доколку вашето тело е заземјено.
- c) **Не ги изложувајте електричните алати на дожд или влага.** Продирањето на вода во електричниот уред ќе ја зголеми опасноста од струен удар.
- d) **Немојте да го злоупотребувате кабелот за напојување.** Никогаш не го користете кабелот за напојување за носење, влечење или исклучување на електричниот алат. Чувајте го кабелот за напојување подалеку од топлина,

масло, остри ивици или подвижни делови.

Оштетените или заплетканите кабли за напојување ја зголемуваат опасноста од струен удар.

- e) **Кога го употребувате електричниот алат надвор, користете продолжен кабел кој е соодветен за употреба на отворен простор.** Користењето на кабел соодветен за работа на отворен простор ја намалува опасноста од струен удар.
 - f) **Доколку не може да се избегне работа со електричниот алат во влажна средина, користете заштитен уред што работи на резидуална струја (RCD).** Употребата на RCD ја намалува опасноста од струен удар.
- #### 3) ЛИЧНА ЗАШТИТА
- a) **Бидете внимателни, внимавајте што правите и постапувајте разумно додека работите со електричниот алат.** Никогаш не работете со електричен алат ако сте уморни или под влијание на дрога, алкохол или лекови. Момент на невнимание при работење со електрични алати може да доведе до сериозна лична повреда.
 - b) **Носете лична заштитна опрема.** Секогаш носете заштитни очила. Носењето на заштитна опрема, како што е маска за прашина, безбедносни обувки кои не се лизгаат, заштитен шлем или штитници за уши, употребени во соодветни услови, ја намалуваат опасноста од лични повреди.
 - c) **Спречете случајно вклучување.** Осигурете се дека прекинувачот е на позицијата off (исклучено) пред приклучувањето на изворот на напојување и/или батеријата, подигнувањето или носењето на алатот. Носењето на електричниот алат со вашиот прст на прекинувачот или вклучување на електрични алати со прекинувачот поставен на позиција on (приклучено) доведува до несреќи.
 - d) **Пред вклучување на електричниот алат отстранете ги сите клучеви за подесување или алати за навртување.** Алат или клуч што е оставен прикачен на ротациониот дел на уредот, може да доведе до лична повреда.
 - e) **Не посегнувајте преку одредената граница.** Цело време одржувајте привлечен став и рамнотежа. На тој начин можете подобро да го контролирате електричниот алат во неочекувани ситуации.
 - f) **Носете соодветна облека.** Не носете лелеава облека или накит. Чувајте ги носата и облената подалеку од подвижните делови. Лелеавата облека, накитот или долгата коса може да се зафатат во подвижните делови.
 - g) **Доколку се обезбедени уреди за приклучување на апарати за вшмукување и собирање прашина, осигурете се дека тие се правилно приклучени и користени.** Користењето на уреди за собирање прашина може да ги намали опасностите поврзани со прашината.
 - h) **Не дозволувајте искуството стеннато со честата употреба на алатите да ве направи невнимателни и да ги игнорирате безбедносните принципи при нивното користење.** Невнимателната активност може да предизвика сериозна повреда во дел од секунда.
- #### 4) УПОТРЕБА НА ЕЛЕКТРИЧНИ АЛАТИ И ГРИЖА ЗА

НИВ

- a) **Не преоптоварувајте го електричниот алат.** Користете ја правилната електрична алатна наменета за вашата работа. Со соодветниот електричен алат ќе ја завршите работата подобро и безбедно во однос на тоа за што е наменет.
 - b) **Не користете го електричниот алат ако пренинувачот не може правилно да се вклучи и исклучи.** Секој електричен алат кој не може да се контролира со помош на приклучок е опасен и мора да се поправи.
 - c) **Исклучете го електричниот алат од струја и/или извадете го комплетот со батерији од електричниот алат, ако се одделува, пред да правите неканви прилагодувања, менувате дополнителна опрема или да ги складираате електричните алати.** Со овие превентивни безбедносни мерки се намалува опасноста од случајно вклучување на електричниот алат.
 - d) **Складирајте ги електричните алати во мирување надвор од дофатот на деца и не им допуштајте работа со уредот на лица кои не се запознаени со него или кои го немаат прочитано ова упатство.** Електричните алати се опасни доколку со нив работат нестручни лица.
 - e) **Одржувајте ги електричните алати и дополнителната опрема.** Проверете дали има изместување или заглавување на подвижните делови, дали некои делови се скршени или се во некоја друга состојба што влијае врз работата на електричниот алат. Ако е оштетен, однесете го алатот на поправка пред да го користите. Многу несреќи се случуваат заради неодржуван електричен алат.
 - f) **Алатите за сечење одржувајте ги остри и чисти.** Внимателно одржуваните алати за сечење со остри ивици помалку ќе се заглавуваат и полесно се контролираат.
 - g) **Електричниот алат, дополнителната опрема, работните алати итн., треба да ги користите според овие упатства, земајќи ги во предвид работните услови и работата која треба да се заврши.** Употребата на електричниот алат за работи што се поинакви од неговата намена може да доведе до опасна ситуација.
 - h) **Одржувајте ги рачките и површините за фаќање суви, чисти и без масло и маст на нив.** Рачките и површините за држење што се лизгаат не овозможуваат безбедно ракување и контрола на алатот во неочекувани ситуации.
- 5) КОРИСТЕЊЕ НА АЛАТ НА БАТЕРИИ И ГРИЖА ЗА НЕГО**
- a) **Вршете полнење само со полначот што е пропишан од страна на производителот.** За полначот кој е соодветен за еден вид на батерији, постои опасност од пожар, доколку се употребува со други батерији.
 - b) **Користете ги електричните алати само со посебно назначени батерији.** Користењето на било кои други батерији може да доведе до опасност од повреда и пожар.
 - c) **Кога батериите не се користат, држете ги настрана од метални предмети како што се**

спајалици за хартија, парички, клучеви, клинци, шrafoви или други, мали метални предмети кои можат да спојат еден пол со друг. Краткиот спој на половите на батериите може да предизвика изгореници или пожар.

- d) **Во услови на злоупотреба може да дојде до исфрлање на течност од батеријата; избегнувајте контакт.** Ако дојде до случаен контакт, измијте го местото со вода. Ако течноста дојде во контакт со очите, дополнително побарајте и лекарска помош. Течноста која истекува од батеријата може да предизвика иритација или изгореници.
 - e) **Не употребувајте комплет со батерији или алат којшто е оштетен или изменет.** Оштетените или изменетите батерији можат да реагираат непредвидливо и да предизвикаат пожар, експлозија или опасност од повреда.
 - f) **Не изложувајте го комплетот со батерији или алатот на оган или висока температура.** Изложувањето на оган или температура над 130°C може да предизвика експлозија.
 - g) **Следете ги сите упатства за полнење и не полнете го комплетот со батерији или алатот надвор од температурниот опсег наведен во инструкциите.** Неправилното полнење или полнењето на температура што е надвор од наведениот опсег, може да ја оштети батеријата и да ја зголеми опасноста од пожар.
- 6) СЕРВИСИРАЊЕ**
- a) **Електричниот алат сервисирајте го нај квалификувано лице кое користи само идентични резервни делови.** Со ова се обезбедува безбедно одржување на електричниот алат.
 - b) **Никога не поправајте ги оштетените комплекти со батерији.** Поправката на комплетите со батерији треба да ја врши само производителот или некој овластен сервис.

БЕЗБЕДНОСНИ УПАТСТВА ЗА БЕЗЖИЧНА УБДНА ПИЛА

- **Држете го алатот за изолираните површини на држење кога работите на место каде затегнувачот може да допре до покриени жици** (ако се допре жица под напон, металните делови на алатот ќе се електрифицираат и може да предизвикаат електричен шок за работникот)
- **Користете стегачи или друг практичен начин за да го обезбедите и потпрете работното парче на стабилна платформа** (работното парче е нестабилно ако го држите со рака или потпрено на телото со што може да ја загубите контролата)

ОПШТИ

- **Не обработувајте никаков материјал кој содржи азбест** (азбестот важи за предизвикувач на рак)
- Овој алат не треба да го користат лица под 16 години
- Нивото на бучава додека работите може да изнесува повеќе од 85 dB(A); носете заштита за уши
- Носете очила кога работите со материјали што создаваат струготини
- Прашината од материјали како боја која содржи олово, некои видови дрво, минерали и метали, може да биде штетна за здравјето (контактот со прашина или нејзиното вдишување може да предизвика

алергиски реакции и/или болести на дишните органи за оној кој работи со алатот или луѓето во близина); **носете маска за прашина и работете со правосмуални доколку можете да ги поврзете**

- Некои видови на прашина се канцерогени (како на пример прашина од даб или бука), особено заедно со адитиви за одржување на дрвото; **носете маска за прашина и работете со правосмуални доколку можете да ги поврзете**
- Следете ги процедурите на вашата земја за прашина која се јавува како резултат од материјалите со кои работите
- Отстранете ја батеријата од алатот пред секое подесување или промена на приборот

ПРЕД УПОТРЕБА

- Пред да почнете со сечење, отстранете ги сите пречки на и под местото каде сечете
- Избегнувајте оштетувања од штрафови, шајки и други предмети во работното парче; тргнете ги пред да почнете со работа

ВО ТЕНОТ НА УПОТРЕБАТА

- Држете ги рацете подалеку од сечивото кога работите со електричен алат

ДОПОЛНИТЕЛНА ОПРЕМА

- SKIL може да признае гаранција само доколку е користен оригинален прибор
- Не користете сечиво што е напукнато, деформирано или тапо

ПО УПОТРЕБА

- Кога ќе ја завршите работата со алатот, исклучете го моторот и проверете дали сите подвижни делови се застанати

БАТЕРИИ

- **Обезбедената батерија е делумно наполнета** (за да се обезбеди целосен капацитет на батеријата, целосно наполнете ја батеријата во полначот на батеријата, пред за првпат да го употребите вашиот електричен алат).
- **Користете ги исклучиво следниве батерии и полначи со овој алат**
 - Батерија SKIL: BR1 *31****
 - Полнач SKIL: CR1 *31****
- Оштетената батерија не треба понатаму да се користи, туку веднаш да се замени
- Не расклопувајте ја батеријата
- Никогаш не изложувајте ги на дожд алатот/батеријата
- Дозволена температура на околината (алатка/полнач/батерија):
 - при полнење 4...40°C
 - при работа -20...+50°C
 - при складирање -20...+50°C

ОБЈАСНУВАЊЕ НА СИМБОЛИТЕ ЗА АЛАТОТ/БАТЕРИЈАТА

- ③ Пред употреба прочитајте го прирачникот за употреба
- ④ Батериите може да експлодираат ако се изложат на оган, па затоа никако не палете ја батеријата
- ⑤ Секогаш чувајте ги алатот/полначот/батеријата на места со температура пониска од 50°C
- ⑥ Не фрлајте ги електричните алати и батериите заедно со домашниот отпад

УПОТРЕБА

- Полнење на батеријата
 - ! **прочитајте ги безбедносните предупредувања и упатствата дадени со полначот**
- Вадење/ставање на батеријата ②
- Индикатор за нивото на батеријата ⑦
 - притиснете го копчето Н за индикаторот за нивото на батеријата, за да се прикаже моменталното ниво на батеријата ⑦а
 - ! **ако по притиснање на копчето Н ⑦b индикаторот за најниско ниво на батеријата почне да трепка, тогаш батеријата е празна**
 - ! **кога ќе почнат да трепкаат 2 нивоа на индикаторот за батеријата по притиснање на копчето Н ⑦c, тогаш батеријата не е во рамките на дозволиениот опсег за работна температура**
- ЛЕД-светло ⑭
 - ЛЕД-светилката В автоматски се вклучува кога ќе се активира прекинувачот за вклучување/исклучување.
 - ! **кога започнува да трепка ЛЕД-работната светилка, се активира заштитата на батеријата (види подолу)**
- Заштита на батеријата
 - Алатот наеднаш се исклучува или не може да се вклучи, кога
 - **оптоварувањето е преголемо** -> отстранете го оптоварувањето и почнете повторно
 - **температурата на батеријата не е во рамките на дозволиениот опсег на работна температура од -20 до +50°C** --> 2 нивоа на индикаторот за ниво на батеријата почнуваат да трепкаат кога ќе го притиснете копчето Н ⑦c; почекајте батеријата да се врати во рамките на дозволиениот опсег на работна температура
 - **батеријата е скоро празна (заштита од целосно празнење)** --> на индикаторот за нивото на батеријата ќе се прикаже ниско ниво на батеријата или ќе трепка за ниско ниво на батеријата ⑦b кога ќе притиснете на копчето Н; наполнете ја батеријата
 - ! **не продолжувајте да притискате на прекинувачот за вклучување/исклучување откако алатот автоматски ќе се исклучи; батеријата може да се оштети**
- Вклучено/Исклучено ⑥
 - вклучувајте/исклучувајте го алатот со притиснање на прекинувачот А во позициите „I“, „O“
- Контрола на брзината ⑨
 - со тркалото за регулирање F може да се избере саканата брзина на сечење со пилата
 - Оптималната работна брзина зависи од материјалот и може да се одреди преку практични проби
 - Кога тркалото за регулирање F е поставено на „A“ брзината без оптоварување се намалува за контролирано стартување
 - при сечење со пилата, брзината автоматски ќе се зголеми до целосна брзина
 - ! **алатот ќе се врати на намалената брзина без оптоварување само по рестартирањето**
- Замена на сечилото на пилата ⑩
 - ! **отстранете ја батеријата од алатот пред секое подесување или промена на дополнителната опрема**

! вметнете го сечилото со запците нагоре до крај ⑪

- на алатот можат да се монтираат најчесто достапните сечила со кран од типот Т ⑩
- за да го извадите сечилото употребете ја само рачката на држачот за сечилото С (нема потреба да го допирате сечилото)

• Сечење со пила на 45 степени ⑫

• Избор на видот на сечење ⑬

Употребете ја рачката D за подесување на орбиталното дејство од прецизно сечење (= 0) до брзо сечење (= 3)

- 1 позиција ("0") за прецизно сечење на сите материјали, праволиниски и под агол
- 3 позиција за брзо сечење во различни материјали, само праволиниски

1 = алуминиум, пластика

2 = тврдо дрво

3 = меко дрво

! секогаш изберете „0“ при сечење на материјали при кои се создаваат деланки

• Вшмукување прашина ⑮

- поврзете го адаптерот за правосмукалка Ј со ножната педала
- поврзете го цревото за чистење на правосмукалната со адаптерот за правосмукалка Ј

! не користете правосмукалната кога сечете метал

• Работа со алатот

- пред да го вклучите моторот проверете дали предниот дел на работната плоча е поставен рамно на работното место

- цврсто држете ја машината со двете раце за да имате постојано целосна контрола врз неа

! додена работите, секогаш држете го алатот за местото (местата) кое (кои) се означени со сива боја ⑯

- уверете се дека целата површина на работната плоча лежи цврсто на работното место

! пред да го подигнете алатот од работното парче, проверете дали е дојдено до целосен прекин на работата на сечилото

- отворите за вентилација G ② држете ги отворени

СОВЕТИ ЗА ПРИМЕНА

• Користете соодветни сечила за пила ⑰

! на алатот можат да се монтираат најчесто достапните сечила со кран од типот Т

• Кога сечете метал ставете сечиво подмакнато со масло

• Пред да исечете отвор направете дупка ⑱

• Сечење без поткршени рабови

- прекријте ја линијата на сечењето со повеќеслојни или широки ленти пред да почнете со сечењето
- лицето на материјалот е свртено надолу на работното место

• За повеќе информации видете на www.skil.com

ОДРЖУВАЊЕ/СЕРВИСИРАЊЕ

- Овој алат не е наменет за професионална употреба
- Алатот секогаш да се одржува чист (особено

отворите за ладење G ②)

! отстранете ја батеријата од алатот пред чистење

- Доколку алатот и покрај внимателното работење и контрола некогаш откаже, поправката мора да ја изврши некој овластен SKIL сервис (адресите и сервисниот дијаграм за алатот се наведени на www.skil.com)

- испратете го алатот **нерасклопен**, заедно со сметкопотврдата, до вашиот продавач или најблискиот овластен SKIL сервис (адресите и сервисниот дијаграм за алатот се наведени на www.skil.com)

- Имајте предвид дека оштетувањето настанато заради преоптоварување или неправилно ракување со алатот не е опфатено со гаранцијата (видете на www.skil.com или прашајте го продавачот за условите на гаранцијата на SKIL)

ЗАШТИТА НА ЖИВОТНАТА СРЕДИНА

- Не фрлајте електрични алати, батерии, дополнителна опрема и амбалажа заедно со домашниот отпад (само за земјите на ЕУ)

- поред Европската Директива 2012/19/ЕЗ за ослободување од електрична и електронска опрема и нејзина имплементација во согласност со националните закони, електричните алати кои го достигнале крајот на својот животен век мора да бидат собрани посебно и да бидат вратени во објект за рециклирање кој е компатибилен со животната средина

- симболот ⑥ ќе ве потсети на тоа, кога ќе дојде време да го отстраните

! пред да се фрли батерија во отпад, заштитете ги нејзините полови со дебела лента за да се спречи краток спој

БУЧАВА / ВИБРАЦИИ

- Измерено во согласност со EN62841, нивото на звучен притисок на овој алат е 87 dB(A) и нивото на звучна моќност е 98 dB(A) (несигурност K = 3 dB), и вибрацијата* (триакс векторна сума; несигурност K = 1,5 m/c²)

* даска за сечење 7,68 m/c²

* сечење на плоча метал 6,08 m/c²

- Нивото на емитурање на вибрации е измерено во согласност со стандардизираниот тест даден во EN62841; може да се искористи за да се спореди еден алат со друг, и како првична оценка за сложеноста на вибрации, кога се користи алатот за споменатите примени

- користењето на алатот за разни примени, или со различна или неправилно чувана дополнителна опрема, може да доведе до значајно зголемување на нивото на изложеност

- кога алатот е исклучен или кога алатот е вклучен но не врши некаква работа, може да дојде до значително намалување на нивото на изложеност

! заштитете се од ефектите на вибрациите преку одржување на алатот и неговата дополнителна опрема, одржување на топлината на вашите раце, и организирање на вашата работа

HYRJE

- Ky mjet është e projektuar për kryerjen e prerjeve tejpërtej dhe të çarave në dru, plastikë, metal dhe është i përshtatshëm për prerje të drejta dhe me hark me kënde me kllapë deri në 45°
- Ky mjet nuk është bërë për përdorim profesional
- Kur pjesët mungojnë ose janë të dëmtuara, ju lutemi kontaktoni me shitësin
- **Lexoni me kujdes këtë manual udhëzimesh para përdorimit dhe ruajeni për referencë në të ardhmen** ③
- **Jini të vëmendshëm ndaj udhëzimeve të sigurisë dhe paralajmërimeve; mosrespektimi mund të shkaktojë dëmtime të rënda**

TË DHËNAT TEKNIKE ①

ELEMENTET E PAJISJES ②

- A Çelësi i ndezjes/fikjes
- B Drita LED
- C Kapëse e thikës pa nevojë për vegla
- D Levë e kontrollit orbital
- E Pllaka e këmbës
- F Rrota për të rregulluar shpejtësinë e sharrës
- G Të çarat e ajrosjes
- H Butoni tregues i nivelit të baterisë
- J Përshtatësi i fshesës me korrent
- K Çelësi heksagonal

SIGURIA

PARALAJMËRIME TË PËRGJITHSHME TË SIGURISË
PËR PAJISJET ELEKTRIKE

▣ PARALAJMËRIM Lexoni të gjitha paralajmërimet e sigurisë, udhëzimet, ilustrimet dhe specifikimet e paraqitura me këtë vegël pune. Mosrespektimi i të gjitha udhëzimeve të renditura më poshtë mund të rezultojë në goditje elektrike, zjarr dhe/ose dëmtime të rënda.

Ruani të gjitha paralajmërimet dhe udhëzimet për referencë në të ardhmen.

Termi "pajisje elektrike" në paralajmërimi i referohet pajisjes elektrike që përdoret nga priza (me kablo) ose pajisjes elektrike me bateri (me bateri).

1) SIGURIA E ZONËS SË PUNËS

- a) **Mbajeni zonën e punës të pastër dhe të ndriçuar mirë.** Zonat e çrregullta ose të errëta janë një ftesë për aksidente.
- b) **Mos i përdorni pajisjet elektrike në situata me mundësi shpërthimi, si në prani të lëngjeve, gazeve ose pluhurave të djegshëm.** Pajisjet elektrike shkaktojnë shkëndija që mund të ndezin pluhurat ose avujt.

- c) **Mbajini fëmijët dhe personat e tjerë larg gjatë përdorimit të veglës së punës.** Tërheqja e vëmendjes mund të shkaktojë humbjen e kontrollit.

2) SIGURIA ELEKTRIKE

- a) **Spinat e veglës së punës duhet të përputhen me prizën. Mos modifikoni kurrë spinën në asnjë mënyrë. Mos përdorni asnjë spinë përshtatëse me veglat e punës me tokëzim.** Spinat e pamodifikuara dhe prizat përshtatëse do të zvogëlojnë rrezikun e goditjes elektrike.
- b) **Shmangni kontaktin trupor me sipërfaqe të tokëzuara si tuba, radiatorë, soba dhe frigoriferë.** Ka një rrezik më të madh të goditjeve elektrike nëse trupi është i tokëzuar.
- c) **Mos ekspozoni veglat e punës në shi ose në kushte me lagështi.** Uji që hyn në veglën e punës do të rritë rrezikun e goditjes elektrike.
- d) **Mos abuzoni me kordonin. Mos e përdorni kurrë kordonin për transportin, tërheqjen ose heqjen e spinës së veglës së punës. Mbajeni kordonin larg nga nxehtësia, vaji, anët e mprehta ose pjesët që lëvizin.** Kordonët e dëmtuar ose të ngatërruar rritin rrezikun e goditjeve elektrike.
- e) **Kur përdorni një vegël pune në mjedise të jashtme, përdorni një kordon zgjatues të përshtatshëm për përdorim në mjedise të jashtme.** Përdorimi i një kordoni të përshtatshëm për përdorim në mjedise të jashtme zvogëlon rrezikun e goditjes elektrike.
- f) **Nëse është e pashmangshme përdorimi i një mjeti me korrent në një vend me lagështi, përdorni një pajisje mbrojtëse nga rryma (RCD).** Përdorimi i një RCD pakëson rrezikun e goditjeve elektrike.

3) SIGURIA PERSONALE

- a) **Qëndroni në gatishmëri, shikoni se çfarë po bëni dhe përdorni gjykimin kur përdorni një vegël pune. Mos e përdorni një vegël pune kur jeni i lodhur ose nën ndikimin e ilaçeve, alkoolit ose mjekimit.** Një moment humbje e vëmendjes gjatë përdorimit të veglave të punës mund të shkaktojë dëmtime të rënda personale.
- b) **Përdorni pajisje personale mbrojtëse. Mbani gjithmonë pajisje për mbrojtjen e syve.** Pajisjet mbrojtëse si maska kundër pluhurit, këpucët që nuk rrëshqasin, kaskat ose pajisjet për mbrojtjen e veshëve për kushtet përkatëse ulin rrezikun e dëmtimeve fizike.
- c) **Parandaloni ndezjen e rastësishme. Sigurohuni që çelësi është në pozicionin fikur para se të lidhni burimin e energjisë dhe/ose baterinë, para se të merrni ose të transportoni pajisjen.** Transportimi i veglave të punës duke e mbajtur gishtin në çelës ose ndezja e mjeteve me korrent që kanë çelësin të ndezur është burim aksidentesh.
- d) **Hiqni çdo çelës ose çelës përshtatës para ndezjes së veglës së punës.** Një çelës i lënë i lidhur me një pjesë rrotulluese të veglës së punës mund të shkaktojë dëmtime personale.
- e) **Mos u zgjasni. Mbani një vendosje të mirë të këmbëve dhe një ekuilibër të mirë në çdo moment.** Kjo gjë bën të mundur një kontroll më të mirë të veglës së punës në situata të papritura.
- f) **Vishuni në mënyrën e duhur. Mos vishni veshje të gjera ose bizhuteri. Mbajini flokët dhe rrobta larg nga pjesët e lëvizshme.** Veshjet e gjera, bizhuteritë ose flokët e gjatë mund të kapen nga pjesët e lëvizshme.

- g) Nëse janë ofruar pajisje për lidhjen e pajisjeve të mbledhjes dhe nxjerrjes së pluhurave, sigurohuni që ato të lidhen të lidhura dhe të përdoren si duhet. Përdorimi i mbledhjes së pluhurave mund të zvogëlojë rreziqet në lidhje me pluhurat.
- h) Mos lejoni që familjarizimi i fituar nga përdorimi i shpeshhtë i veglave t'ju bëjë të ndiheni tepër të sigurt në vetvete dhe të shpërfillni parimet e sigurisë për pajisjet. Një veprim i pakujdesshëm mund të shkaktojë dëmtime të rënda në më pak se një sekondë.
- 4) **PËRDORIMI DHE KUJDESI PËR VEGLËN E PUNËS**
- a) Mos ushtroni forcë mbi veglën e punës. Përdorni veglën e punës të duhur për përdorimin tuaj. Vegla e punës e duhur do të realizojë një punë më të mirë dhe më të sigurt dhe me shpejtësinë që ajo është e projektuar.
- b) Mos përdorni veglën e punës nëse çelësi nuk e ndez apo e fik. Çdo vegël pune që nuk mund të kontrollohet me anë të çelësit është e rrezikshme dhe duhet të riparohet.
- c) Shkëputeni spinën nga burimi i energjisë dhe/ose hiqeni paketën e baterisë, nëse është e mundur, nga mjeti me korrent para se të bëni rregullime, ndryshoni aksesorët ose vendosni mjetet me korrent. Këto masa parandaluese ulin rrezikun e ndezjes aksidentale të mjeteve të punës.
- d) Mbani veglat e punës larg fëmijëve dhe mos lejoni personat e pamësuar me veglën e punës ose këto udhëzime për përdorimin e pajisjes. Veglat e punës janë të rrezikshme në duart e përdoruesve të patrajnuar.
- e) Mirëmbajini veglat me korrent dhe aksesorët. Kontrolloni për mospërshtatje ose bllokim të pjesëve lëvizëse, thyerje të pjesëve dhe gjendje të tjera që mund të ndikojnë në funksionimin e veglës së punës. Nëse dëmtohet, riparojeni veglën e punës para përdorimit. Shumë aksidente shkaktohen nga veglat e punës jo të mirëmbajtura si duhet.
- f) Mbajini pajisjet prerëse të pastra dhe të mprehta. Pajisjet e prerjes të mirëmbajtura dhe me anë të mprehta kanë më pak mundësi për t'u bllokuar dhe janë më të lehta për t'u kontrolluar.
- g) Përdorni veglat e punës, aksesorët dhe puntot, etj. në përputhje me këto udhëzime, duke marrë parasysh kushtet e punës dhe punën që do të kryhet. Përdorimi i veglave për përdorime të ndryshme nga ato të përcaktuara mund të shkaktojë rreziqe.
- h) Mbajini dorezat dhe sipërfaqet ku mbaheni të thata, të pastra dhe pa vajra ose graso. Dorezat dhe sipërfaqet ku mbaheni, kur janë të rrëshqitshme, nuk ju lejojnë ta menaxhoni dhe ta kontrolloni në mënyrë të sigurt pajisjen në situata të papritura.
- 5) **PËRDORIMI DHE KUJDESI PËR VEGLËN ME BATERI**
- a) Karikojeni vetëm me karikuesin e specifikuar nga prodhuesi. Një karikues që është i përshtatshëm për një lloj baterie mund të krijojë rrezik për zjarr kur përdoret me një bateri tjetër.
- b) Përdorni vetëm mjetet me bateri që kanë bateri të krijuara në mënyrë të posaçme për to. Përdorimi i çdo baterie tjetër mund të krijojë rrezik për dëmtime dhe zjarr.
- c) Kur bateria nuk është në përdorim, mbajeni larg nga objektet e tjera metalike si kapëset e letërës, monedhat, çelësat, gozhdët, vidat ose objektet e tjera të vogla metalike që mund të bëjnë lidhjen

- e një terminali me terminalin tjetër. Bashkimi i terminalëve së bashku mund të shkaktojë djegie ose zjarr.
- d) Nëse kushtet janë të papërshtatshme, nga bateria mund të dalin lëngje; shmangni kontaktin. Nëse kontakti ndodh padashur, shpëlajeni me ujë. Nëse lëngu ju bie në kontakt me sytë, kërkoni ndihmë mjekësore. Lëngu që del nga bateria mund të shkaktojë iritrim ose djegie.
- e) Mos përdorni bateri ose mjete që janë dëmtuar ose modifikuar. Bateritë e dëmtuara ose të modifikuara mund të shfaqin sjellje të paparashikuara, duke shkaktuar zjarr, shpërthim ose rrezik dëmtimesh fizike.
- f) Mos e ekspozoni një pako baterish ose një vegël ndaj zjarrit ose temperaturës shumë të lartë. Ekspozimi ndaj zjarrit ose një temperature mbi 130°C mund të shkaktojë shpërthim.
- g) Ndëqni të gjitha udhëzimet për karikimin dhe mos e karikoni baterinë ose veglën jashtë gamës së temperaturës që specifikohet tek udhëzimet. Karikimi i papërshtatshëm ose në temperatura jashtë gamës së specifikuar mund të dëmtojë baterinë dhe të rritë rrezikun për zjarr.
- 6) **SHËRBIMI**
- a) Shërbimi i veglës së punës duhet të kryhet nga një person i kualifikuar për riparimet duke përdorur vetëm pjesë ndërrimi identike. Kjo gjë do të sigurojë ruajtjen e sigurisë së veglave të punës.
- b) Mos u mundoni asnjëherë t'i riparoni bateritë e dëmtuara. Riparimi i baterive duhet të kryhet vetëm nga prodhuesi ose ofruesit e autorizuar të shërbimit.

UDHËZIME SIGURIE PËR SHARRËN SEKË ME BATERI

- Mbajeni mjetin e punës duke kapur sipërfaqet e izoluara të prekses kur bëni një punë aty ku kapësja mund të bjerë në kontakt me tela të fshehur (kapëset që bien në kontakt me një tel me korrent mund të ekspozojnë pjesët metalike të mjetit të punës në korrent dhe mund t'i japin përdoruesit një goditje elektrike)
- Përdorni morsa ose mënyra të tjera praktike për të siguruar dhe mbështetur materialin e punës në një platformë të qëndrueshme (mbajtja e materialit me duar ose të mbështetur në trup bën që materiali të mbetet i paqëndrueshëm ose mund të shkaktojë humbje të kontrollit)

TË PËRGJITHSHME

- Mos punoni me materiale që përmbajnë asbest (asbesti konsiderohet kancerogjen)
- Kjo pajisje nuk duhet të përdoret nga personat nën moshën 16 vjeç
- Niveli i zhurmës gjatë punës mund të kalojë 85 dB(A); mbani mbrojtëse për veshët
- Mbani syze mbrojtëse kur punoni me materiale që krijojnë ashkla
- Pluhurat nga materialet si boja me plumb, disa lloje drurësh, mineralesh dhe metalesh mund të jenë të dëmshme (kontakti ose thithja e pluhurave mund të shkaktojë reagime alergjike dhe/ose sëmundje respiratore për përdoruesin ose personat përreth); mbani një maskë për pluhurat dhe punoni me një pajisje për heqjen e pluhurave kur mund të lidhet
- Disa lloje pluhurash janë klasifikuar si kancerogjene (si pluhuri i lisit dhe i ahut) veçanërisht në ndërthurje me

lëndët shtesë për kondicionimin e drurit; **mbani një maskë për pluhurat dhe punoni me një pajisje për heqjen e pluhurave kur mund të lidhet**

- Respektoni kërkesat kombëtare në lidhje me pluhurat për materialet me të cilat dëshironi të punoni
- Hiqeni baterinë nga pajisja para se të bëni ndonjë rregullim ose të ndërroni ndonjë aksesor

PARA PËRDORIMIT

- Hiqni të gjitha pengesat mbi si dhe poshtë në rrugën e prerjes para se të filloni prerjen
- Shmangni dëmtimet që mund të shkaktohen nga vidat, gozhdët dhe elementet e tjera në materialin e punës; hiqni ato para se të filloni punën

GAJTË PËRDORIMIT

- Mbajini duart larg nga thika e sharrës kur pajisja është në përdorim

AKSESORËT

- SKIL mund të garantojë funksionimin pa probleme të vegjlës vetëm kur përdoren aksesorët origjinalë
- Mos përdorni një thika sharre që është e krisur, e deformuar ose jo e mprehtë

PAS PËRDORIMIT

- Kur ta largoni pajisjen, fikeni motorin dhe sigurohuni që të gjitha pjesët lëvizëse të kenë ndaluar plotësisht

BATERITË

- **Bateria e dhënë është pjesërisht e karikuar** (për të siguruar kapacitet të plotë të baterisë, karikojeni baterinë plotësisht në karikuesin e baterisë para se ta përdorni mjetin për herë të parë).
- **Përdorni vetëm bateritë dhe karikuesit e mëposhtëm me këtë mjet**
 - Bateria SKIL: BR1*31****
 - Karikues SKIL: CR1*31****
- Mos e përdorni baterinë nëse është e dëmtuar; ajo duhet të ndërrohet menjëherë
- Mos e çmontoni baterinë
- Mos e ekspozoni mjetin/baterinë në shi
- Lejohet temperatura e ambientit (vegël/karikuesin/bateri):
 - kur karikoni 4...40°C
 - gjatë punës -20...+50°C
 - gjatë magazinimit -20...+50°C

SHPJEGIMI I SIMBOLEVE NË VEGËL/BATERI

- ③ Lexoni manualin e udhëzimeve para përdorimit
- ④ Bateritë mund të shpërthejnë kur hidhen në zjarr, prandaj mos i digjini bateritë për asnjë arsye
- ⑤ Ruajeni veglën/karikuesin/baterinë në vende ku temperatura nuk i kalon 50°C
- ⑥ Mos i hidhni veglat elektrike dhe bateritë së bashku me mbeturinat shtëpiake

PËRDORIMI

- Karikimi i baterisë
- ! **Lexoni paralajmërimet dhe udhëzimet e sigurisë të dhëna me karikuesin**
- Heqja/instalimi i baterisë ②
- Treguesi i nivelit të baterisë ⑦
 - shtypni butonin tregues të nivelit të baterisë H për të shfaqur nivelin aktual të baterisë ⑦a
 - ! **kur fillon të pulsojë niveli më i ulët i treguesit të baterisë pasi keni shtypur H ⑦b, bateria është bosh**
 - ! **kur 2 nivelet e treguesit të baterisë fillojnë të pulsojnë pasi keni shtypur butonin H ⑦c, bateria nuk është brenda temperaturës së lejuar**

- Drita LED ⑭
 - Drita LED B ndizet automatikisht kur aktivizoni çelësin on/off.

! **kur drita LED fillon të pulsojë, kjo do të thotë se është aktivizuar mbrojtja e baterisë (shiko më poshtë)**

- Mbrojtja e baterisë
 - Mjeti fiket papritur ose nuk ndizet kur
 - **ngarkesa është tepër e lartë** --> hiqeni ngarkesën dhe ndizeni përsëri
 - temperatura e baterisë **nuk është brenda nivelit të lejuar të temperaturës prej -20 deri në +50°C** --> 2 nivelet e treguesit të nivelit të baterisë fillojnë të pulsojnë kur shtypni butonin H ⑦c; prisni derisa bateria të jetë brenda temperaturës së lejuar
 - **bateria është thuhajse bosh (për t'u mbrojtur nga dëmtimi për shkak të shkarkimit të thellë)** --> niveli i ulët i baterisë ose pulsimi për shkak të nivelit të ulët të baterisë ⑦b tregohet në treguesin e nivelit të baterisë kur shtypni butonin H; karikoni baterinë
 - ! **mos vazhdoni të shtypni çelësin e ndezjes/fikjes pasi pajisja të fiket automatikisht; bateria mund të dëmtohet**
- Ndezje/Fikje ⑥
 - ndizni/fikni pajisjen duke shtyrë çelësin A në pozicionin "I/O"
- Kontrolli i shpejtësisë ⑨
 - me çelësin F mund të zgjidhet shpejtësia e dëshiruar e sharrimit
 - Shpejtësia optimale e punës varet nga materiali dhe mund të përcaktohet me prova praktike
 - Me çelësin F të vendosur në "A" shpejtësia pa ngarkesë reduktohet në mënyrë që nisja të bëhet në mënyrë të kontrolluar
 - gjatë sharrimit, shpejtësia rritet automatikisht në shpejtësi të plotë
 - ! **mjeti do të kthehet tek shpejtësia e reduktuar pa ngarkesë pas rinisjes**
- Ndryshimi i thikës së sharrës ⑩
 - ! **hiqeni baterinë nga pajisja para se të bëni ndonjë rregullim ose të ndërroni ndonjë aksesor**
 - ! **futeni thikën deri në fund me dhëmbët përpara** ⑩
 - ! mjeti pranon thikat më të zakonshme të disponueshme me skaje në formë T ⑩
 - për ta nxjerrë thikën përdorni vetëm levën e klapës së thikës C (nuk ka nevojë të prekni thikën)
- Sharrim në kënd 45° ⑫
- Zgjedhja e modalitetit të sharrimit ⑬
 - Përdorni levën D për të rregulluar veprimin orbital nga prerja e saktë (=0) te prerja e shpejtë (=3)
 - 1 përcaktim ("0") për prerje të sakta në të gjitha materialet, të drejta + të harkuara
 - 3 përcaktime për prerje të shpejtë në materiale të ndryshme, vetëm prerje të drejta
 - 1 = alumini, plastik
 - 2 = dru i fortë
 - 3 = dru i butë
 - ! **zgjidhni gjithmonë "0" kur sharroni materiale që bëjnë shumë ashkla**
- Thithja e pluhurave ⑮
 - lidhni adaptorin J të fshesës me korrent me këmbëzën
 - lidhni tubin e fshesës me korrent me adaptorin J
 - ! **mos e përdorni fshesën me korrent kur prisni**

metal

- Funksionimi i veglës
 - para se ta ndizni pajisjen, sigurohuni që ana përpara e pllakës mbështetëse të jetë rrafsh mbi materialin e punës
 - mbajeni veglën mirë me të dyja duart, në mënyrë që të keni kontroll të plotë të veglës në të gjitha momentet
- ! **gjatë punës, mbajeni gjithmonë veglën në zonën(at) e dorezës me ngjyrë gri** ⁽¹⁶⁾
- sigurohuni që e gjithë sipërfaqja e pllakës mbështetëse të qëndrojë fort mbi materialin e punës
- ! **sigurohuni që lama të ketë ndaluar plotësisht para se ta hiqni veglën nga materiali i punës**
- mbajeni hapësirat e ajrimit ^{G(2)} të pambuluara

KËSHILLË PËR PËRDORIMIN

- Përdorni thikat e duhura për sharrën ⁽¹⁷⁾
- ! **pajisja pranon thikat më të zakonshme të disponueshme me skaje në formë T**
- Kur prisni metale, lubrifikojeni thikën e sharrës rregullisht me vaj
- Shponi paraprakisht një vrimë para se të bëni prerje ⁽¹⁸⁾
- Prerje pa ashkla
 - mbulojeni vijën e prerjes me disa shtresa ngjites të gjerë para prerjes
 - vendoseni gjithmonë poshtë anën e mirë të materialit të punës
- Për më shumë informacion, shikoni www.skil.com

MIRËMBAJTJA/SHËRBIMI

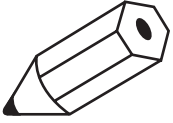
- Ky mjet nuk është bërë për përdorim profesional
- Mbajeni gjithmonë veglën dhe kordonin të pastër (veçanërisht hapësirat e ajrimit ^{G(2)})
- ! **hiqeni baterinë nga mjeti para se ta pastroni**
- Nëse pajisja ka defekt pavarësisht kujdesit në prodhim dhe procedurat e provave, riparimi duhet të kryhet nga një qendër e shërbimit pas shitjes për veglat e punës të SKIL
 - dërgoni veglën të **çmontuar** së bashku me vërtetimin e blerjes te shitësi ose te qendra më e afërt e shërbimit e SKIL (adresat si dhe diagrami i shërbimit i veglës janë të paraqitura në www.skil.com)
 - Kini parasysh se dëmtimet për shkak të mbingarkesës ose manovrimit të papërshtatshëm të veglës janë të përjashtuara nga garancia (për kushtet e garancisë së SKIL vizitoni www.skil.com ose pyetni shitësin tuaj)

MJEDISI

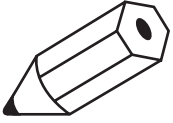
- **Mos i hidhni veglat elektrike, bateritë, aksesoret dhe paketimin së bashku me materialet e mbeturinave familjare** (vetëm për vendet e BE-së)
 - në respektim të Direktivës evropiane 2012/19/EC për pajisjet elektrike dhe elektronike si mbetje dhe zbatimin e saj në përputhje me ligjet kombëtare, pajisjet elektrike që kanë arritur në fund të jetëgjatësisë së tyre duhet të mblidhen të ndara dhe të kthehen në një objekt riciklimi në përputhje me mjedisin.
 - simboli ^(E) do t'ju kujtojë për këtë gjë kur të jetë nevoja për t'i hedhur
- ! **para hedhjes mbroni terminalet e baterisë me ngjites të fortë për të parandaluar qarkun e shkurtër**

ZHURMA / VIBRIMI

- I matur sipas EN62841, niveli i presionit të zhurmës së këtij mjeti është 87 dB(A) dhe niveli i fuqisë së zhurmës është 98 dB(A) (toleranca K = 3 dB), dhe dridhja * (shuma e vektorit triax; toleranca K = 1.5 m/s²)
 - * dërrasë prerjeje 7.68 m/s²
 - * prerje flete metali 6.08 m/s²
- Niveli i emetimit të dridhjeve është matur sipas një testi të standardizuar të përcaktuar në EN62841; ai mund të përdoret për të krahasuar një mjet me një tjetër, si edhe si një vlerësim paraprak i ekspozimit ndaj dridhjeve e përdorni mjetin për proceset e përmendura
 - përdorimi i pajisjes për procese të ndryshme, ose me aksesoret të ndryshëm dhe të mirëmbajtur keq, mund të **rritë** ndjeshëm nivelin e ekspozimit
 - kohët kur pajisja është e fikur dhe kur është e ndezur por jo në punë, mund të **zvogëlojnë** ndjeshëm nivelin e ekspozimit
- ! **mbroni veten nga efektet e vibrimit duke mirëmbajtur pajisjen dhe aksesoret e saj, duke i mbajtur duart e ngrohta dhe duke organizuar mënyrën tuaj të punës**



28 horizontal lines for writing.



Handwriting practice lines consisting of 20 horizontal lines.

با نگهداری مناسب از ابزار و لوازم و متعلقات آن، گرم نگهداشتن دست‌های خود، و سازمان‌دهی طرح‌های کاری می‌توانید خود را در برابر اثرات ارتعاش محافظت کنید

- پیش از روشن کردن ابزار اطمینان حاصل کنید که انتهای جلوی صفحه زیرین ابزار صاف روی قطعه کاری قرار می‌گیرد
- ابزار را خیلی محکم با هر دو دست بگیرید. تا در تمام اوقات روی ابزار کنترل کامل داشته باشید

! هنگام کار باید همیشه ابزار را از جا(های) دست خاکستری رنگ بگیرید

- ⑪ اطمینان حاصل کنید که سطح کامل صفحه زیرین ابزار محکم روی قطعه کار قرار می‌گیرد
- ! قبل از اینکه ابزار را از قطعه کاری جدا کنید، مطمئن شوید که تیغه به توقف کامل رسیده باشد
- شیارهای تهویه G ① را مسدود نکنید

توصیه‌های کاربردی

- از تیغه اره‌های مناسب استفاده کنید ⑦
- ! ابزار می‌تواند با اکثر تیغه اره‌های موجود با ساق T شکل کار کند
- هنگام برش فلزات، تیغه اره را مرتباً روغن کاری کنید
- پیش از ایجاد برش کامل، ابتدا یک سوراخ ایجاد کنید ⑧
- برش بدون تراشه
- خط برش را پیش از شروع برش با چند لایه چسب پهن بپوشانید
- همیشه طرف خوب قطعه کاری را به سمت پایین قرار دهید
- برای اطلاعات بیشتر به www.skil.com مراجعه کنید

نگهداری/خدمات

- این ابزار برای مصارف حرفه‌ای مناسب نیست
- همیشه ابزار را تمیز نگه دارید (به‌خصوص شیارهای تهویه G ①)
- ! پیش از تمیز کردن باید باتری را از ابزار جدا کنید
- اگر ابزار علی‌رغم تمام دقت و مراقبتی که در فرایندهای تولید و تست بکار برده شده از کار افتاد، تعمیرات باید فقط در مراکز خدمات پس از فروش ابزارهای برقی LIKS انجام شود
- ابزار را به صورت بازنشده همراه با رسید خرید به فروشنده یا نزدیکترین مرکز خدمات رسانی SKIL بفرستید (آدرس‌ها به همراه نمودار نقشه های سرویس ابزار در www.skil.com موجود است)
- توجه داشته باشید که خرابی و خسارت ناشی از اضافه‌بار یا کار کردن نادرست با ابزار مشمول ضمانت نخواهند بود (برای اطلاع از شرایط ضمانت SKIL به نشانی www.skil.com مراجعه کرده یا از فروشنده خود سؤال کنید)

محیط زیست

- ابزارهای برقی، باتری‌ها، لوازم و بسته‌بندی آن‌ها را نباید همراه با زباله‌های عادی خانگی دور انداخت (فقط مخصوص کشورهای عضو اتحادیه اروپا)
- با توجه به مصوبه اروپایی ۲۰۰۲/۹۱/CE اروپا درباره لوازم برقی و الکترونیکی مستعمل و اجرای این مصوبه مطابق با قوانین کشوری، ابزارهای برقی که به پایان عمر مفید خود رسیده اند باید جداگانه جمع آوری شده و به یک مرکز بازیافت مناسب و سازگار با محیط زیست انتقال یابند
- نماد ① یادآور این مسئله در هنگام دور انداختن است
- ! قبل از دور انداختن باتری حتماً باید روی پایه‌های باتری را با نوار چسب سنگین بپوشانید تا اتصال کوتاه نکند

صدا / ارتعاشات

- طبق استاندارد ۱۴۸۲۱NE، میزان فشار صوتی این ابزار ۷۸ دسی‌بل (A) و میزان توان صوتی آن ۸۹ دسی‌بل (A) (عدم قطعیت $K = 3$ دسی‌بل). و میزان ارتعاشات آن* (جمع بردارهای سهم‌جهد: عدم قطعیت $K = 0.1$ متر/مجدوز ثانیه) می‌باشد
- * تخته برش ۸۴.۷ متر/مجدوز ثانیه
- * برش ورق فلزات ۸۰.۶ متر/مجدوز ثانیه
- میزان انتشار ارتعاشات صوتی بر اساس تست استاندارد شده ۱۴۸۲۱NE
- اندازه‌گیری شده است؛ از این تست می‌توان برای مقایسه ابزارها با یکدیگر همچنین برای ارزیابی اولیه ارتعاشات صوتی ابزار الکتریکی برای موارد ذکر شده‌ی فوق استفاده کرد
- استفاده از ابزار برای کاربردهای متفاوت یا با لوازم و قطعات متفاوت یا لوازم و متعلقاتی که بد نگهداری شده‌اند، می‌تواند میزان در معرض بودن را به‌طور قابل‌ملاحظه‌ای افزایش دهد
- مواقعی که ابزار خاموش است یا وقتی کاری با آن انجام نمی‌شود، میزان در معرض بودن به‌طور قابل‌توجهی کاهش می‌یابد

ا) برای سرویس ابزار الکتریکی به تعمیرکار ماهر رجوع کنید و تنها از وسایل بدکی یکسان استفاده کنید. این باعث خواهد شد که ایمنی ابزار الکتریکی شما تضمین گردد.

ب) هرگز بسنه‌های باتری آسیب‌دیده را سرویس نکنید. عملیات سرویس بسنه‌های باتری باید فقط توسط سازنده یا مراکز خدماتی مجاز انجام شود.

هشدارهای ایمنی برای اره‌های عمودبر بی‌سیم

- هنگام استفاده از دستگاه در جایی که امکان دارد بسنه‌های آن با سیم‌های مخفی تماس پیدا کنند، باید آن را از دستگاه‌های عایق آن بگیرد (تماس بسنه‌های ابزار با سیم «برق‌دار» می‌تواند در بخش‌های فلزی دستگاه نیز جریان «برق» تولید کند و موجب برق‌گرفتگی کاربرد شود)
- از گیره یا هر روش عملی و مطمئن دیگری برای محکم کردن و تکیه دادن قطعه روی یک سطح پایدار استفاده کنید (اگر قطعه را با دست نگه دارید یا به بدن خود تکیه دهید، قطعه ناپایدار می‌ماند و امکان دارد کنترل کار را از دست بدهید)

- عمومی**
- با مواد حاوی آزبست کار نکنید (آزبست سرطان‌زا است)
 - افراد کمتر از ۱۱ سال نباید با این دستگاه کار کنند
 - میزان صدای تولید شده توسط این ابزار در حین کار می‌تواند از ۸۸ دسی بل بیشتر شود؛ از گوشه‌های محافظ استفاده کنید
 - هنگام کار با موادی که تراشه ایجاد می‌کنند از عینک‌های محافظ استفاده کنید
 - گرد و خاکی که از موادی مانند رنگ‌های حاوی سرب، برخی گونه‌های چوب، مواد معدنی و فلزات بلند می‌شود می‌تواند خطرناک باشد (ماس با این گرد و خاک یا تنفس آنها می‌تواند در کاربرد با افراد نزدیک به محل کار واکنش‌های حساسیتی وایا بیماری‌های تنفسی ایجاد کند)؛ یک ماسک مخصوص گرد و خاک بزنید و در صورت امکان از یک وسیله مکش گرد و خاک استفاده کنید
 - برخی از گرد و خاک‌ها (مانند گرد و خاکی که از چوب بلوط یا راش بلند می‌شود) مخصوصاً در مجاورت افزودنی‌های مخصوص چوب، سرطان‌زا هستند؛ یک ماسک مخصوص گرد و خاک بزنید و در صورت امکان از وسیله مکش گرد و خاک استفاده کنید

- از مقررات ملی مربوط به گرد و خاک موادی که می‌خواهید با آنها کار کنید پیروی نمایید
- پیش از انجام هرگونه تغییر و یا عوض کردن متعلقات، باتری را از ابزار خارج کنید
- پیش از استفاده**
- پیش از شروع برش تمام موانع موجود در بالا یا زیر مسیر برش را بردارید
- هیچ‌ها، میخ‌ها و سایر اجزا دیگر می‌توانند به قطعه کاری شما آسیب بزنند؛ بنابراین پیش از شروع کار آنها را بردارید

حین استفاده

- هنگامی که ابزار در حال کار است دست‌های خود را از تیغه اهر دور نگه دارید

- متعلقات**
- در صورتی که از متعلقات اصلی استفاده کنید عملکرد بدون مشکل ابزار را تضمین می‌نماید
 - اگر تیغه اهر ترک دارد، تغییر شکل یافته یا کند شده است از آن استفاده نکنید
 - بعد از استفاده**
 - وقتی که کار شما با برز تمام شد، حتماً موتور آنرا خاموش کرده و مطمئن شوید که تمام بخشهای متحرک آن از حرکت ایستاده اند

باتری‌ها

- شارژر باتری ارائه‌شده کامل نیست (برای تضمین کامل بودن ظرفیت باتری باید باتری را پیش از اولین استفاده از دستگاه به‌طور کامل با شارژر باتری شارژ کنید).
- تنها از باتری‌ها و شارژرهای زیر با این ابزار استفاده کنید

- باتری SKIL: BR1 ۳۱*۳۳۳۳۳۳
- شارژر SKIL: CR1 ۳۱*۳۳۳۳۳۳
- اگر باتری آسیب دیده است از آن استفاده نکنید؛ باید فوراً آن را عوض کنید
- باتری را از هم باز نکنید
- ابزار/باتری نباید در معرض باران قرار داده شود
- دمای محیطی مجاز (ابزار/شارژر/باتری):
- هنگام شارژ ۰ تا ۴۰ درجه سانتیگراد
- هنگام کار ۰ تا ۵۰ درجه سانتیگراد
- قرار دادن در محل نگهداری ۰ تا ۵۰ درجه سانتیگراد

شرح علائم و نمادهای ابزار/باتری

- ۱) پیش از کار حتماً دفترچه راهنما را مطالعه کنید
- ۲) اگر باتری‌ها در آتش انداخته شوند امکان انفجار آنها وجود دارد. بنابراین هرگز و به هیچ دلیلی باتری را نسوزانید
- ۳) ابزار/شارژر/باتری را در مکانی نگه‌دارید که دمای آن از ۵۰ درجه سانتیگراد تجاوز نکند

می‌کند

۱) ابزار الکتریکی و باتری‌ها را نباید همراه با زباله‌های عادی خانگی دور انداخت

استفاده

- شارژ کردن باتری
- **! هشدارها و دستورالعمل‌های ارائه‌شده همراه شارژر را مطالعه کنید**
- برداشتن/قرار دادن باتری ۱)
- نشانگر شارژر باتری ۲)
- برای نمایش سطح کنونی باتری ۳) دکمه نشانگر شارژر باتری H را فشار دهید
- **! وقتی با فشار دادن دکمه ۴) b، نشانگر پایین‌ترین سطح باتری شروع به چشمک زدن می‌کند، باتری تخلیه شده است**
- **! هنگامیکه ۲ سطح از نشانگر باتری بعد از فشار دادن دکمه ۵) c شروع به چشمک زدن می‌کند، باتری در محدوده دمای کاری مجاز نیست**
- چراغ DEL ۶)
- هنگامی که کلید روشن/خاموش را فعال می‌کنید چراغ LED B بطور خودکار روشن می‌شود
- **! اگر سیستم محافظت باتری فعال شده باشد، چراغ کار LED شروع به چشمک زدن می‌کند (بخش زیر را ملاحظه کنید)**
- محافظت باتری
- ابزار در شرایط زیر ناگهان خاموش شده و یا روشن نمی‌شود
- بار وارده بیش از حد مجاز است -- بار را بردارید و دستگاه را مجدداً راه‌اندازی کنید
- دمای باتری در محدوده دمای کاری مجاز ۲۰- تا ۵۰+ درجه سانتیگراد نیست
- << ۱ سطح از نشانگر شارژر باتری هنگام فشار دادن دکمه ۷) H شروع به چشمک زدن می‌کند؛ صبر کنید تا باتری به محدوده دمای کاری مجاز بازگردد
- باتری عملاً تخلیه شده است (برای محافظت در برابر تخلیه عمیق) -- یک سطح باتری ضعیف یا سطح باتری ضعیف ۸) b چشمک‌زن در صورت فشار دادن دکمه H روی نشانگر سطح باتری دیده خواهد شد؛ باتری را شارژ کنید
- **! بعد از خاموش شدن خودکار ابزار کلید روشن/خاموش را مرتب فشار ندهید؛ امکان دارد باتری آسیب ببیند**
- روشن/خاموش ۹)
- بزار را با فشار دادن کلید A به وضعیت "۱" روشن/خاموش کنید
- کنترل سرعت ۱۰)
- با چرخ مدرج F می‌توان سرعت اهر مورد نظر را انتخاب کرد
- دور بهینه به نوع مواد بستگی داشته و با آزمایش‌های عملی مشخص می‌گردد
- با تنظیم چرخ مدرج بر روی "A"، سرعت بدون بار برای راه‌اندازی کنترل شده کاهش می‌یابد
- هنگام اهر کردن، سرعت به‌طور خودکار به سرعت کامل افزایش می‌یابد
- **! ابزار فقط پس از راه‌اندازی مجدد به سرعت کاهش یافته بدون بار باز می‌گردد**
- عوض کردن تیغه اهر ۱۱)
- **! پیش از انجام هرگونه تغییر و یا عوض کردن متعلقات، باتری را از ابزار خارج کنید**
- **! تیغه اهر را در حالتی که دندانه‌های آن به سمت جلو باشند به‌طور کامل در جای خود قرار دهید ۱۲)**
- ابزار می‌تواند با اکثر تیغه اهرهای موجود با ساق T شکل کار کند ۱۳)
- برای بیرون انداختن تیغه فقط اهرم گیره تیغه C را به کار ببرید (نیازی به لمس تیغه نیست)
- اهر کاری در ۵ درجه ۱۴)
- انتخاب حالت اهر کاری ۱۵)
- برای تنظیم حرکت مداری ابزار از برش دقیق (۰ تا برش سریع (۳) از اهرم D استفاده کنید
- ۱ تنظیم (۰) برای برش دقیق کلیه مواد، صاف + منحنی
- ۲ تنظیم برای برش سریع مواد مختلف، فقط برش های صاف
- ۱ آلومینیوم، پلاستیک
- ۲ چوب سخت
- ۳ چوب نرم
- **! در صورت برش مواد حساس به تراشه، همیشه ۰* را انتخاب کنید**
- مکش گرد و غبار ۱۶)
- آداپتور جاروبرقی ل را به صفحه پایه وصل کنید
- شلنگ جاروبرقی را به آداپتور جاروبرقی ل وصل کنید
- **! هنگام بریدن فلزات نباید از جاروبرقی استفاده کنید**
- کار کردن با ابزار

۱۱ هشدارها! تمامی هشدارهای ایمنی، دستورالعملها، تصاویر و مشخصات ارائه شده همراه با این ابزار برقی را مطالعه کنید. در صورت عدم رعایت دستورالعمل‌های زیر خطر برق‌گرفتگی، آتش‌سوزی و/یا بروز آسیب‌های شدید وجود دارد.

همه هشدارها و راهنمایی‌ها را برای استفاده آتی نزد خود نگه دارید.

در این هشدارها عبارت «ابزار الکتریکی» به معنی ابزارهای الکتریکی فاقد باتری (با سیم برق) یا ابزارهای الکتریکی باتری‌دار (شارژی) است.

۱) ایمنی محل کار

أ) محیط کار باید تمیز و دارای روشنایی مناسب باشد. محیط کار نامرتب و کم نور می‌تواند باعث سوانح کاری شود.

ب) با ابزار الکتریکی در محیط‌هایی که در آن خطر انفجار وجود دارد، مانند محیط‌های حاوی مایعات، گازها و غبارهای محترقه، کار نکنید. ابزارهای الکتریکی جرقه‌هایی ایجاد می‌کنند که ممکن است غبارها یا بخارها را مشتعل کنند.

ت) در هنگام کار با ابزار الکتریکی، کودکان و اطرافیان را از محل کار دور نگاه دارید. حواس پرتی می‌تواند باعث شود کنترل وسیله را از دست بدهید.

۲) ایمنی الکتریکی

أ) دوشاخه‌های ابزار الکتریکی باید با پریز همخوانی داشته باشند. دوشاخه را هرگز و به هیچ صورتی تغییر ندهید. برای ابزار ارت‌شده (دارای سیم اتصال به زمین) از دوشاخه‌های تبدیل استفاده نکنید. دوشاخه‌های بدون تغییر و پریزهای سازگار خطر برق‌گرفتگی را کاهش می‌دهند.

ب) از تماس بدنه با سطوح متصل به ارت‌شده مانند لوله‌ها، رادیاتورها، اجاق گاز و یخچال اجتناب کنید. اگر بدن شما ارت شود یا به زمین متصل شود خطر برق‌گرفتگی افزایش می‌یابد.

ت) ابزار الکتریکی را در معرض باران یا در محیط‌های مرطوب قرار ندهید. نفوذ آب به ابزار الکتریکی، خطر برق‌گرفتگی را افزایش می‌دهد.

ث) به سیم آسیب نرسانید. هرگز از سیم برای حمل کشیدن یا پیرون آوردن دوشاخه ابزار الکتریکی از پریز استفاده نکنید. سیم ابزار را از گرما، روغن، لبه‌های تیز و قطعات متحرک دور نگه دارید. سیم‌های آسیب‌دیده یا در هم پیچیده خطر برق‌گرفتگی را افزایش می‌دهند.

ج) به هنگام کار با ابزار الکتریکی در محیط باز از کابل رابط مناسب برای محیط باز استفاده کنید. استفاده از سیم مناسب برای استفاده در محیط باز خطر برق‌گرفتگی را کاهش می‌دهد.

ح) اگر کار با ابزار الکتریکی در محیطی مرطوب اجتناب‌ناپذیر است، از یک کلید حفاظتی جریان خطا و نشستی زمین (کلید قطع‌کننده اتصال یا زمین) استفاده کنید. استفاده از کلید قطع‌کننده اتصال با زمین خطر برق‌گرفتگی را کاهش می‌دهد.

۳) رعایت ایمنی اشخاص

أ) هنگام کار با ابزار الکتریکی هشیار باشید. به کاری که می‌کنید دقت داشته باشید و از عقل سلیم خود استفاده کنید. به هنگام خستگی یا هنگام مصرف مواد، الکل یا دارو از ابزار الکتریکی استفاده نکنید. یک خطه غفلت هنگام کار با ابزار الکتریکی می‌تواند سبب وارد آمدن جراحات‌های شدید شود.

ب) از تجهیزات ایمنی شخصی استفاده کنید. همواره از عینک ایمنی استفاده کنید. استفاده از تجهیزات ایمنی نظیر ماسک تنفسی ضد گرد و غبار، کفش‌های ایمنی ضد لغزش، کلاه ایمنی و گوشی ایمنی متناسب با نوع کار، خطر آسیب‌های احتمالی را کاهش می‌دهد.

ت) از روشن شدن ناخواسته ابزار جلوگیری کنید. پیش از اتصال به منبع برق و/یا بسته باتری، برداشتن یا حمل ابزار، اطمینان حاصل کنید که دکمه قطع و وصل در حالت خاموش قرار داشته باشد. در صورتیکه هنگام حمل دستگاه انگشت شما روی دکمه استارت باشد و یا اگر دستگاه را در حالت روشن به برق بزنید، ممکن است دچار سانحه شوید.

ث) پیش از روشن کردن ابزار الکتریکی، هرگونه کلید یا آچار تنظیم‌کننده را بردارید. آچار یا کلیدهایی که روی بخش‌های چرخنده ابزار الکتریکی قرار دارند، می‌توانند باعث ایجاد جراحات شوند.

ج) هنگام کار با ابزار پیش از اندازه‌ی بدن خود را نکشید و متمایل نشوید. در همه حال جای پای محکم داشته باشید و تعادل خود را حفظ کنید. به این ترتیب می‌توانید ابزار الکتریکی را در وضعیت‌های غیرمنتظره بهتر تحت کنترل داشته باشید.

ح) لباس مناسب بپوشید. از پوشیدن لباس‌های گشاد و شل یا زیورآلات خوداری کنید. مو و لباس خود را دور از قطعات متحرک نگاه دارید. احتمال گیر کردن

لباس‌های گشاد، زیورآلات یا موی بلند در قطعات متحرک دستگاه وجود دارد. (خ) در صورتیکه می‌توانید وسایل متکش گرد و غبار و یا وسیله جذب زائده را به دستگاه نصب کنید، باید مطمئن شوید که این وسایل نصب و به شیوه‌ای درست استفاده می‌شوند. استفاده از وسایل متکش گرد و غبار می‌تواند خطرات مربوط به غبار را کاهش دهد.

د) اجازه ندهید آشنایی و تسلط حاصل از استفاده مکرر از ابزارها باعث شود حس کنید لازم نیست وقت داشته باشید و قوانین ایمنی ابزار را نادیده بگیرید. یک عمل از روی بی‌دقتی می‌تواند در کسری از ثانیه موجب جراحات شدید شود.

۴) استفاده صحیح از ابزار الکتریکی و مراقبت از آن

أ) از وارد کردن فشار زیاد روی دستگاه خودداری کنید. بری هر کاری، از ابزار الکتریکی مناسب با آن استفاده کنید. به کار گرفتن ابزار الکتریکی مناسب باعث می‌شود بتوانید کار را بهتر و به شیوه‌ای ایمن‌تر و با سرعت طراحی‌شده برای آن انجام دهید.

ب) اگر ابزار یا کلید روشن و خاموش نمی‌شود، از آن استفاده نکنید. ابزار الکتریکی که امکان روشن و خاموش کردن آن با کلید وجود ندارد، خطرناک است و باید تعمیر شود.

ت) قبل از هرگونه تنظیم، تعویض قطعات یا کنار گذاشتن دستگاه، دوشاخه را از برق بکشید و/یا اگر می‌توان باتری را جدا کرد، بسته باتری آن را خارج کنید. رعایت اقدامات ایمنی پیشگیرانه احتمال روشن شدن ناخواسته ابزار الکتریکی را کاهش می‌دهد.

ث) ابزار الکتریکی را در صورت عدم استفاده از دسترس کودکان دور نگه دارید و اجازه ندهید افراد ناوارد و یا اشخاصی که این دفترچه راهنما را نخوانده‌اند، با این دستگاه کار کنند. قرار گرفتن ابزار الکتریکی در دست افراد ناوارد و یا خنجره خطرناک است.

ج) از ابزار الکتریکی به خوبی نگهداری کنید. وجود نامیزانی یا اتصال میان اجزای متحرک، شکستگی قطعات و هرگونه وضعیت دیگری که ممکن است بر روی عملکرد ابزار الکتریکی تأثیر بگذارد را بررسی کنید. در صورت وجود آسیب، پیش از استفاده از ابزار آن را تعمیر کنید. بسیاری از اتفاقات با دلیل عدم نگهداری مناسب از ابزار الکتریکی روی می‌دهد.

ح) ابزار هراس را تمیز و تمیز نگه دارید. ابزار هرسی که خوب مراقبت شده و دارای لبه‌های تیز هستند، کمتر رطوبته کار گیر کرده و بهتر قابل هدایت می‌باشند.

خ) ابزار الکتریکی، متعلقات و دیگر لوازم جانبی آن را مطابق با دستورات این دفترچه و همچنین با در نظر گرفتن شرایط و نوع کار مورد استفاده قرار دهید. استفاده کردن از ابزار الکتریکی برای کارهایی که برای آن طراحی نشده است می‌تواند بسیار خطرناک باشد.

د) دسته‌ها و سطوح دستگیره‌ها را خشک، تمیز و عاری از روغن و گریس نگه دارید. در صورت لیز بودن دسته‌ها و سطوح دستگیره‌ها امکان گرفتن و کنترل ایمن ابزار در شرایط غیرمنتظره وجود نخواهد داشت.

۵) مراقبت و طرز استفاده از ابزارهای شارژی

أ) باتری‌ها را منحصراً در دستگاه‌هایی شارژ کنید که توسط سازنده توصیه شده باشند. شارژری که برای یک نوع بسته باتری مناسب است، ممکن است اگر برای شارژ بسته باتری‌ای دیگر استفاده شود خطر آتش‌سوزی ایجاد کند.

ب) در ابزار الکتریکی تنها از باتری‌هایی استفاده کنید که برای آن در نظر گرفته شده‌اند. استفاده از باتری‌های متفرقه می‌تواند منجر به جراحات و حریق گردد.

ت) در صورت عدم استفاده از باتری باید آن را از اجسام فلزی دیگر، از جمله گیره‌های فلزی، سکه، کلید، میخ، پیچ یا دیگر وسایل کوچک فلزی دور نگه دارید. زیرا برخورد با این وسایل می‌تواند باعث ایجاد اتصالی شود. ایجاد اتصالی بین ترمینال‌های باتری می‌تواند باعث سوختگی یا ایجاد حریق شود.

ث) استفاده بی‌دقت از باتری می‌تواند باعث خروج مایعات از آن شود؛ در چنین شرایطی از دست زدن به آن خودداری کنید. در صورت تماس اتفاقی با آن، دست خود را با آب بشویید. در صورت تماس با مایع با چشم، به پزشک مراجعه کنید. مایع خارج‌شده از باتری می‌تواند باعث التهاب پوست و سوختگی شود.

ج) اگر یک بسته باتری یا ابزار آسیب دیده یا دستکاری شده است، نباید از آن استفاده کنید. باتری‌های آسیب‌دیده یا دستکاری‌شده ممکن است منجر به حوادث پیش‌بینی نشده، از جمله آتش‌سوزی، انفجار و جراحات، شوند.

ح) بسته باتری یا ابزار را در معرض آتش یا دمای بسیار بالا قرار ندهید. قرار دادن در معرض آتش یا دمای بالاتر از ۰۳۱ درجه سانتیگراد می‌تواند باعث انفجار گردد.

خ) تمام دستورالعمل‌های مربوط به شارژ باتری را رعایت کنید. هرگز دستگاه را خارج از محدوده دمای ذکرشده در دفترچه راهنما شارژ نکنید. شارژ نامرست با شارژ کردن در دمای خارج از محدوده ذکرشده می‌تواند به باتری آسیب برساند و خطر آتش‌سوزی را بالا ببرد.

۶) سرویس

تتوقف سرعة العمل المالية على المادة المراد نشرها. ويمكن خديدها بالتجربة العملية

عند ضبط البكرة F على A⁺: يتم تقليل السرعة بدون حمل لبدء التشغيل

- التحكم فيه
- عند النشر ستزداد السرعة تلقائياً إلى أقصى سرعة
- ! لن تعود الآلة إلى السرعة بدون حمل إلا بعد إعادة التشغيل
- تغيير شفرة المنشار (10)
- ! احرص على إزالة البطارية من الآلة قبل إجراء أي عمليات ضبط أو تغيير على أي من الملحقات
- ! قم بإدخال الشفرة بالعمق الكامل بحيث تكون الأنسنا موجهة للأمام (11)
- الآلة متوافقة مع الشفرات ذات سن T شائعة الاستخدام (12)
- لإخراج الشفرة. قم فقط بتشغيل ذراع مشبك الشفرة C (لا حاجة للمس الشفرة)
- النشر بزاوية 45 درجة (13)
- اختيار وضع النشر (14)

استخدم ذراع D لضبط الحركة المدارية بدءاً من قطع دقيق (0+) إلى قطع سريع (3+)

- وضع ضبط واحد (0+) لقطع دقيق في جميع المواد مستقيم + منحني
- ثلاثة أوضاع ضبط لقطع سريع في المواد المختلفة. قطوعات مستقيمة فقط
- 1 = أنميوم، بلاستيك
- 2 = خشب صلب
- 3 = خشب ناعم

يظن شلال دس اسرح داوم رشن دن ع أم ئاد "0" رتخ !

- شقظ العبار (15)
- قم بتوصيل مهالئ المكسنة الكهربائية ل في القاعدة السفلية
- لا بتوصيل خرطوم المكسنة الكهربائية بمهالئ المكسنة الكهربائية ل
- ! لا تستخدم المكسنة الكهربائية عند قطع المعادن
- تشغيل الآلة
- قبل تشغيل الآلة. تأكد من أن الطرف الأمامي للقاعدة السفلية يستند وهو مستوي على قطعة العمل
- أحكم دائنًا الإمساك بالآلة بكلتا يديك. وبالتالي سيكون لك التحكم الكامل في الآلة طوال الوقت
- ! أثناء العمل. احرص دائماً على الإمساك بالآلة من مناطق المقبض رمادية اللون (11)
- تأكد من استواء سطح القاعدة السفلية بالكامل على قطعة العمل بإحكام
- ! تأكد من توقف الشفرة عن الحركة تماماً قبل رفع الأداة عن قطعة العمل
- احرص على عدم تغطية فتحات التهوية (16)

نصائح الاستخدام

- استخدم شفرات المنشار اللامنة (17)
- ! الآلة متوافقة مع الشفرات ذات سن T شائعة الاستخدام
- عند قطع المعادن. قم بتزليق شفرة المنشار بانتظام بالزيت
- قم بعمل ثقب خضيري قبل القيام بعمل قطوعات 18
- قطع بدون شخظايا
- قم بتغطية خط القطع بعدة طبقات من شريط عريض قبل القيام بعملية القطع
- قم دائماً بتوجيه الجانب الجيد من قطعة العمل إلى أسفل
- لزيد من المعلومات. زر موقعنا www.skil.com

الصيانة/الخدمة

- هذه الآلة غير معدة للاستخدام المهني
- احرص دائماً على نظام الآلة (خاصة فتحات التهوية (16))
- ! أزل البطارية من الآلة قبل التنظيف
- إذا تعذر تشغيل الآلة على الرغم من الحذر الشديد في إجراءات التصنيع والاختبار. فيجب القيام بالإصلاحات بواسطة مركز خدمة ما بعد البيع للآلات العاملة بالبطاقة الخاصة بشركة SKIL
- قم بإرسال الآلة دون تفكيكها بالإضافة إلى إثبات الشراء إلى البائع أو أقرب مركز خدمة SKIL (العابون بالإضافة إلى مخطط الخدمة متاحان على www.skil.com)
- كن على علم بأن التلف الناتج عن زيادة التحميل أو التعامل مع الآلة بطريقة خاطئة سيتم استيعاده من الضمان (لمعرفة شروط ضمان SKIL انظر www.skil.com أو قم بسؤال التاجر)

البيئة

- لا تتخلص من الأدوات الكهربائية والبطاريات والملحقات ومواد التغليف مع النفايات المنزلية (الدول الاحاد الأوروبي فقط)
- وفقاً للتوجيه الأوروبي 2002/96/EC الخاص بنفايات المعدات الكهربائية والإلكترونية. وتطبيقه بالتوافق مع القانون المحلي يجب جميع الأدوات الكهربائية منتهية الصلاحية بشكل منفصل وإرسالها إلى أحد منشآت إعادة التصنيع المتوافقة مع البيئة
- سيذكر الرمز 16 بهذا عند الحاجة إلى التخلص من أية آلة
- ! قبل التخلص من البطارية. قم بحماية أطراف توصيل البطارية بشرط قوي لمنع حدوث دائرة قصر (قفل للدائرة)

الضوضاء/الاهتزاز

- عند القياس بالتوافق مع المعيار 14821NE. يكون مستوى ضغط صوت هذه الآلة هو 78 ديسيبل(A) ومستوى قوة الصوت هو 89 ديسيبل(A) (نسبة الشك K = 3 ديسيبل). والاهتزاز: (مجموع الكميات الموجهة ثلاثي المحاور: نسبة الشك K = 0.5 م/ك ثانية²)
- * قطع الألواح 81.7 م/ثانية²
- * قطع لوح معدني 1.08 م/ثانية²
- تم قياس مستوى انبعاثات الاهتزاز بالتوافق مع الاختبار المعياري المحدد في 14821NE؛ يمكن استخدامه لمقارنة آلة بالآلة أخرى وتقييم تمهيد للتعرض للاهتزاز عند استخدام الآلة في التطبيقات الموضحة
- قد يؤدي استخدام الآلة في تطبيقات مختلفة أو مع ملحقات مختلفة أو ذات صيانة رديئة إلى زيادة مستوى التعرض بصورة كبيرة
- إن الفترة الزمنية التي يتم خلالها إيقاف تشغيل الآلة أو عندما تكون قيد التشغيل لكنها لا تؤدي أية مهام. قد تؤدي إلى تقليل مستوى التعرض بصورة كبيرة
- ! قم بحماية نفسك من تأثيرات الاهتزاز من خلال صيانة الآلة وملحقاتها. والحفاظ على يديك داقتين وتنظيم أنماط العمل ليدك

FA

سرب نودب تكبم اك ريدوم ع هرا

3440

همدم

- ابن ابرار برى ايجاد برش و بریدن قطعات جوب. پلاستیک. فلز طراحی شده و برای اجراء برشهای صاف و منحنی با زوایای تاج برتا 45 درجه مناسب است
- ابن ابرار برای مصارف حرفه‌ای مناسب نیست
- اگر قطعاتی مفقود شده یا آسیب دیده اند. لطفاً با فروشنده خود تماس بگیرید
- لطفاً پیش از کار با دستگاه ابن دفترچه راهنما را با دقت مطالعه کنید و آن را برای استفاده نگی تکی دارید (1)
- به دستورالعملهای ایمنی و هشدارها دقیقاً توجه کنید: عدم رعایت این هشدارها و دستورالعملها می تواند به بروز جراحتهای شدید منجر شود

اطلاعات فنی (1)

اجزای ابزار (2)

- A کلید روشن/خاموش
- B چراغ DEL
- C گیره نیغه بدون ابزار
- D اهرم کنترل مدارى
- E صفحه پایه
- F کلید الکترونیک تنظیم سرعت اره کارى
- G شماره‌ای تهویه
- H دکمه نشانگر شارژ باترى
- J میبدل جاروبرقى
- K آچار آلن

ایمنی

راهنمایهای ایمنی عمومی برای ابزارهای الکتریکی

د) احتفظ بالمقايض وأسطح الإمساك جافة ونظيفة وخالية من الزيوت والشحوم. لأن المقايض وأسطح الإمساك المزلزلة لا تحمك القدرة على التعامل والتحكم الآمن في الآلة في المواقف غير المتوقعة.

هـ) استخدام الآلة العاملة بالبطارية والعناية بها
أ) لا تُعد شحن الآلة إلا باستخدام الشاحن المُحدد من قِبل الشركة الصانعة. فالشاحن الملائم لنوع ما من مجموعات البطارية قد يتسبب في نشوب حريق إذا تم استخدامه مع مجموعة بطارية أخرى.

ب) استخدم الآلات العاملة بالطاقة مع مجموعات البطاريات المخصصة لها فقط. استخدم أي مجموعات بطاريات أخرى قد ينشأ عنه خطر الإصابة أو نشوب حريق. عند عدم استخدام مجموعة البطارية، احتفظ بها بعيداً عن الأغراض المعدنية الأخرى مثل مشابك الأوراق أو العملات المعدنية أو المفاتيح أو المسامير أو البراغي أو الأغراض المعدنية الصغيرة الأخرى التي قد تتسبب في عمل دائرة قصر (قفل للدائرة) بين أقطاب البطارية. عمل دائرة قصر (قفل الدائرة) بين أطراف البطارية قد يتسبب في حروق أو نشوب حريق.

ث) في حالات التعامل السري، قد يحدث ارتشاح للسوائل من البطارية، لا تتلامس. إذا حدثت ملامسة بشكل عرضي، فاغسلها بالماء. إذا لامس السائل العينين، فاطلب المساعدة الطبية على الفور. السائل الخارج من البطارية قد يتسبب في امتحاج الحد أو حدوث حروق به.

ج) لا تستخدم مجموعة البطارية أو الآلة إذا كانا تالفين أو تم إدخال تعديلات عليهما. لأن البطاريات التالفة أو التي تم تعديلها قد تعمل بشكل غير متوقع، وهو ما قد يؤدي لنشوب حريق أو حدوث انفجار أو خطر التعرض لإصابة.

ح) لا تقم بتعرض مجموعة البطارية أو الآلة للحريق أو درجات الحرارة الزائدة. التعرض لدرجات الحرارة الأعلى من ٣١ درجة مئوية قد يؤدي حدوث انفجار.

خ) اتبع تعليمات الشحن ولا تشحن مجموعة البطارية أو الآلة في نطاق درجة حرارة خارج النطاق المُحدد في التعليمات. قد يؤدي الشحن غير المضبوط أو في درجات حرارة خارج النطاق المسموح به إلى تلف البطارية وخطر نشوب حريق.

١) الصيانة
أ) ينبغي إجراء الصيانة على الآلة بواسطة فني إصلاح متخصص باستخدام قطع غيار أصلية مطابقة فقط. فهذا يضمن المحافظة على سلامة الآلة.

ب) لا تقم بصيانة مجموعات البطارية التالفة بأي حال من الأحوال. بل ينبغي أن تكون صيانة مجموعة البطارية من خلال الشركة الصانعة أو مقدمي الخدمة المعتمدين فقط.

تعليمات السلامة الخاصة بمشمار النحنيات اللاسلكي

- امسك بالآلة العاملة بالطاقة من أسطح الإمساك العزولة، وذلك عند القيام بأعمال قد يتعرض عنصر التثبيت من خلالها إلى التلامس مع أسلاك غير ظاهرة (قد يتلامس عنصر التثبيت مع سلك تيار "حار"، وهو ما يجعل الأجزاء المعدنية المكشوفة بالآلة "كهربية" ويتسبب في إصابة مُشغّل الآلة بصدمة كهربائية)
- استخدم المشابك أو اتبع أي طريقة عملية أخرى لتثبيت ودعم القطعة التي ستعمل عليها على منصة عمل ثابتة (الإسماك بقطعة العمل في يدك أو مقابل جسمك قد يؤدي إلى فقدان التحكم)

عام

- لا تستخدم المنتج على مواد تشتمل على الأيسبيستوس (يعتبر الأيسبيستوس مادة مسرطنة)
- لا يجب استخدام هذه الآلة من قبل الأشخاص الذين يقل عمرهم عن ١١ عامًا
- قد يزيد مستوى الضوضاء أثناء العمل عن ٥٨ ديسيبل(A)، لذا قم بارتداء واقبات للذنن
- ارتد نظارات حماية عند العمل باستخدام مواد يتخلف عنها رقائق نشارة
- الغبار الناتج من المواد كالتلال الذي يحتوي على رصاص وبعض أنواع الأختشاب والمعادن والمكونات المعدنية قد يكون ضاراً (ملاصقة أو استنشاق الغبار قد يتسبب في إصابة المشغل أو من يجاره بأمراض الحساسية وأو أمراض الجهاز التنفسي)؛
- قم بارتداء قناع للغبار مع العمل باستخدام جهاز نشط للغبار. طالما أمكن توصيله
- ثمة أنواع معينة من الغبار تُصنّف على أنها مواد مسيبة للسرطان (مثل غبار خشب البلوط والزان) خاصة عند استخدامها مع مواد مضافة لعلاج الخشب؛ قم بارتداء قناع للغبار مع العمل باستخدام جهاز نشط للغبار. طالما أمكن توصيله
- التزم بالمتطلبات الوطنية الخاصة بالغبار عند العمل باستخدام المواد المطلوبة
- حرص على إزالة البطارية من الآلة قبل إجراء أي عمليات ضبط أو تغيير على أي من الملحقات

قبل الاستخدام

- قبل بدء القطع، قم بإزالة جميع العوائق التي توجد أعلى وأسفل مسار القطع

- لتجنب التلف الذي قد يتسبب فيه البرغي والمسامير والعناصر الأخرى الموجودة في القطعة التي تعمل بها، قم بفكهم قبل بدء العمل.

أثناء الاستخدام

- ابعديك عن شفرة المنشار أثناء استخدام الآلة
- الملحقات
- تضمن LKS التشغيل السلس للآلة عند استخدام الملحقات الأصلية فقط.
- لا تستخدم شفرة منشار بها شقوق أو اعوجاج أو أن تكون غير حادة

بعد الاستخدام

- عند وضع الآلة جانباً، أوقف تشغيل المحرك وتأكد من توقف جميع الأجزاء المتحركة بشكل تام.

البطاريات

- البطارية المرفقة مشحونة جزئياً لضمان الحصول على كامل طاقة البطارية. قم بشحن البطارية بالكامل من خلال الشاحن قبل استخدام الآلة للمرة الأولى)
- استخدم البطاريات والشواحن التالية فقط مع هذه الآلة
 - بطارية BR1: SKL: ٣١٠٠٠٠٠٠
 - شاحن CR1: SKL: ٣١٠٠٠٠٠٠٠٠
- لا تستخدم البطارية إذا تعرضت للتلف؛ ويجب استبدالها على الفور
- لا تقم بتفكيك البطارية بنفسك
- لا تقم بتعرض الآلة/البطارية للمطر
- درجة الحرارة المحيطة المسموح بها (الآلة/الشاحن/البطارية):
 - أثناء الشحن ٤ إلى ٤٠ درجة مئوية
 - أثناء التشغيل ١٠٠ إلى ٥٠٠ درجة مئوية
 - أثناء التخزين ٢٠٠ إلى ٥٠٠ درجة مئوية
- شرح الرموز الموجودة على الآلة/البطارية
 - ٢) اقرأ دليل التعليمات قبل الاستخدام
 - ٤) قد تنفجر البطاريات عندما تتعرض للماء، لذا لا تحرق البطارية لأي سبب
 - ٤) قم بتخزين الآلة/الشاحن/البطارية في أماكن لا تتجاوز درجة الحرارة فيها ٥٠ درجة مئوية
 - ١) لا تتخلص من الآلات الكهربائية والبطاريات مع النفايات المنزلية

الاستخدام

- شحن البطارية
- اقرأ تحذيرات وتعليمات السلامة المرفقة مع الشاحن
- خلع التركيب البطارية (٢)
- مؤشر شحن البطارية (٧)
- اضغط على زر مؤشر شحن البطارية H لعرض مستوى شحن البطارية الحالي
- a (٧)
 - ! عند بدء مستوى الأذنى لمؤشر البطارية في الوميض بعد الضغط على الزر (٧) b، فهذا معناه أن البطارية فارغة الشحن
 - ! عند بدء مستويين من مؤشر البطارية في الوميض بعد الضغط على الزر (٧) c، فهذا معناه أن البطارية ليست في نطاق درجة حرارة التشغيل المسموح بها
- مصباح DEL (٨)
 - يضيء مصباح LED B تلقائياً عند تنشيط مفتاح التشغيل/الإيقاف.
 - ! عندما يبدأ مصباح العمل LED في الوميض، يتم تنشيط خاصية حماية البطارية (انظر أدناه)
 - حماية البطارية
 - تتوقف الآلة عن العمل بشكل مفاجئ أو لا يمكن تشغيلها في الحالات التالية
 - الحمل زائد للغاية <<< تخلف عن الحمل وأعد التشغيل
 - درجة حرارة البطارية ليست في نطاق درجة حرارة التشغيل المقبولة وهو الوميض عند الضغط على الزر (٧) H؛ انتظر حتى عودة البطارية إلى نطاق درجة حرارة التشغيل المقبولة
 - شحن البطارية بكاد يكون فارغاً (للمحماية من التفريغ العميق للشحن) <<< يتم عرض مستوى الشحن المنخفض للبطارية أو يومض مستوى شحن البطارية المنخفض (٧) من خلال مؤشر شحن البطارية عند الضغط على الزر H؛ أشحن البطارية
 - ! لا تستمر في الضغط على زر التشغيل/الإيقاف بعد توقف الآلة بشكل تلقائي؛ لأن البطارية قد تكون تالفة
 - التشغيل/الإيقاف (A)
 - قم بتشغيل/إيقاف الآلة من خلال دفع المفتاح A إلى الوضع "I/O"
 - التحكم في السرعة (٤)
 - يمكن تحديد سرعة النشر المطلوبة باستخدام البكرة F

شرح نودب ج مدم تاين حنم راشنم

٣٤٤٠

مدمقم

- تم تصميم هذا المشار لعمل فتوح نافذة أو فتوح منفصلة في الأخشاب والبلستيك والمعادن. كما يعد ملائمًا لعمل فتوحات مستقيمة ومنحنية بزوايا مفصولة قدرها ٥٤ درجة
- هذه الآلة غير معدة للاستخدام المهني
- إذا كانت هناك أجزاء مفقودة أو تالفة، يرجى الاتصال بالوكيل
- اقرأ دليل التعليمات بعناية قبل بدء الاستخدام، واحتفظ به للرجوع إليه في المستقبل ٢
- انتبه بشكل خاص إلى تعليمات وتحذيرات السلامة: فقد يؤدي الإخفاق في الالتزام بهذه التعليمات إلى التعرض لإصابة خطيرة

البيانات الفنية ١

مكونات الآلة ٢

- A مفتاح التشغيل/الإيقاف
- B مصباح LED
- C مشبك الشفرة بدون أدوات
- D ذراع حُكم مداري
- E القاعدة السفلية
- F بكرة لضبط سرعة المشار
- G فتحات التهوية
- H زر مؤشر شحن البطارية
- J مهايئ المكنسة الكهربائية
- K مفتاح ألتكبي

السلامة

تحذيرات السلامة العامة المتعلقة بالآلة العاملة بالبطاقة

١ اقرأ جميع تحذيرات السلامة والتعليمات والرسوم التوضيحية والمواصفات المرفقة مع هذه الآلة. عدم اتباع جميع التعليمات الواردة أدناه قد يؤدي إلى حدوث صدمة كهربائية أو نشوب حريق أو التعرض للإصابة. أحدها أو جميعها.

احتفظ بجميع التحذيرات والتعليمات للرجوع إليها في المستقبل.

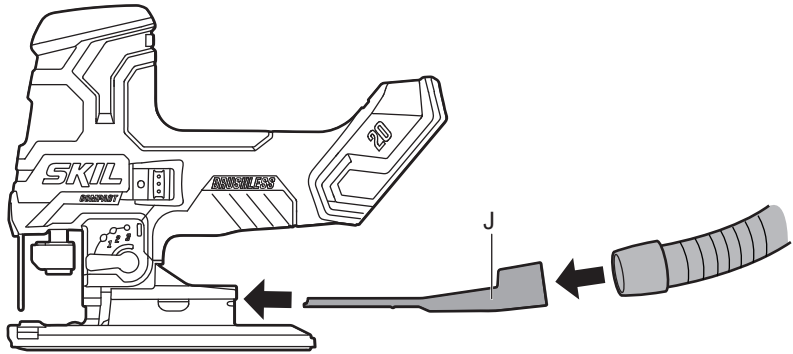
يشير مصطلح "آلة عاملة بالبطاقة" في قسم التحذيرات إلى الآلة العاملة بالبطاقة (الموصولة بسلك تيار) أو الآلة العاملة بالبطارية (غير الموصولة بسلك تيار).

سلامة منطقة العمل

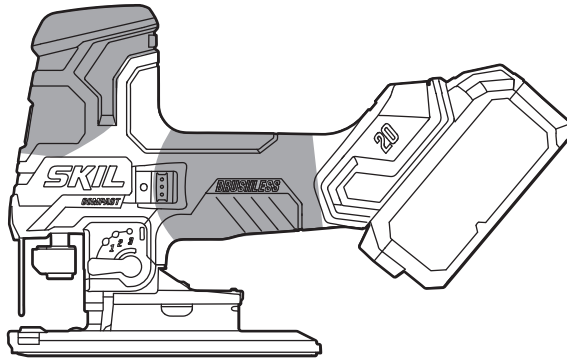
- ١ حافظ على منطقة العمل نظيفة ومضاءة جيدًا، حيث عادة ما تتسبب المناطق المظلمة أو التي بها زكام إلى وقوع حوادث.
- ٢ لا تتم بتشغيل الآلة العاملة بالبطاقة في أجواء قابلة للانفجار، على سبيل المثال في وجود سوائل أو غازات أو غبار قابلة للاشتعال. فقد تتسبب الآلات العاملة بالبطاقة في صدور شرارة، والتي قد تتسبب في اشتعال الغبار أو الأبخرة القابلة للاشتعال.
- ٣ احتفظ بالأطفال والمشاهدين بعيدًا عن موقع استعمال الآلة العاملة بالبطاقة، حيث أن الإلهاء قد يجعلك تفقد السيطرة على الآلة.
- ٤ السلامة الكهربائية
 - أ) ينبغي أن يتوافق قاييس الآلة العاملة بالبطاقة مع مقبس التيار. لا يجب إدخال تعديلات على القاييس بأي حال من الأحوال. لا تستخدم أي قوايس مهايئة مع الآلات العاملة بالبطاقة المؤرّضة. سيؤدي القوايس غير المعدّلة والمقاييس المتوافقة إلى الحد من خطر حدوث صدمة كهربائية.
 - ب) جنب ملامسة الجسم لأسطح مؤرّضة مثل الأنايب والمشعاع والموافد والشلاجات. هناك خطر متزايد لحدوث صدمة كهربائية إذا كان جسمك مؤرّضًا.
 - ٥ لا تتم بتعرض الآلات العاملة بالبطاقة للحظ أو الأجواء الرطبة. حيث سيؤدي الماء الذي يدخل إلى الآلة العاملة بالبطاقة إلى زيادة خطر حدوث صدمة كهربائية.
 - ٦ لا تعبت بسلك التيار. لا تقم أبدًا باستخدام سلك التيار لحمل الآلة العاملة بالبطاقة أو سحبها أو فصلها عن التيار. احتفظ بالسلك بعيدًا عن مصادر

- ١ الحجرة أو الزيت أو الحواف الحادة أو الأجزاء المتحركة. تؤدي أسلاك التيار التالفة أو المتشابكة إلى زيادة خطر حدوث صدمة كهربائية.
- ٢ عند تشغيل آلة عاملة بالبطاقة في مكان خارجي مفتوح، استخدم سلك تمديد ملائم للاستخدام الخارجي. استخدام سلك ملائم للاستخدام الخارجي يحد من خطر حدوث صدمة كهربائية.
- ٣ إذا كان لابد من تشغيل الآلة في مكان رطب، فاستخدم مصدر تيار محمي بقاطع تيار متبقي (RCD). يؤدي استخدام قاطع التيار المتبقي إلى الحد من خطر حدوث صدمة كهربائية.
- ٤ السلامة الشخصية
 - أ) ابق منتهيًا، وانتبه جيدًا لما تفعله، وكن عقلانيًا عند تشغيل آلة تعمل بالبطاقة. لا تستخدم آلة تعمل بالبطاقة وأنت متعب أو تحت تأثير المخدرات أو الكحوليات أو الأدوية. قد تؤدي لحظة من عدم الانتباه أثناء تشغيل الآلات العاملة بالبطاقة إلى حدوث إصابات شخصية خطيرة.
 - ب) استخدم أدوات الحماية الشخصية، وارن دائمًا أدوات حماية للعينين. سيؤدي استخدام أدوات الحماية كقناع الغبار أو أذنية السلامة المضادة للانزلاق أو القبعة الصلبة أو أدوات حماية السمع في ظروف مناسبة إلى الحماية من الإصابات الشخصية.
 - ٥ امنع التشغيل غير التعمد للمنتج. احرص على أن يكون مفتاح الطاقة في وضع الإيقاف قبل توصيل الآلة بمصدر التيار أو مجموعة البطاريات. أو النقاط الآلة أو حملها. قد يتسبب حمل الآلات العاملة بالبطاقة وإصبعك على مفتاح التشغيل أو شحنها ومفتاح التشغيل على وضع التشغيل في وقوع حوادث.
 - ٦ أزل أي مفتاح تعديل أو مفتاح ربط قبل تشغيل الآلة العاملة بالبطاقة. قد يؤدي ترك مفتاح ربط أو مفتاح عادي مركبًا على جزر دوار بالآلة العاملة بالبطاقة إلى وقوع إصابات شخصية.
 - ٧ لا تقف في مكان تضطرد لم يدرك بعيدًا. قف وأنت ثابت ومتوازن في جميع الأوقات، وهو ما يسمح بتحكم أفضل في الآلة العاملة بالبطاقة في الظروف غير المتوقعة.
 - ٨ ارتد ملابس ملائمة. لا ترتد ملابس أو مجوهرات ثابتة. احتفظ بشعرك وملابسك بعيدًا عن الأجزاء المتحركة. قد تعلق الملابس الفضفاضة أو المجوهرات أو الشعر الطويل في الأجزاء المتحركة.
 - ٩ إذا تمت إتاحة الأجهزة لتوصيل مرافق استخلاص وجمع الغبار، فتأكد من توصيلها واستخدامها على نحو ملائم. قد يؤدي استخدام جمع الغبار إلى الحد من المخاطر المرتبطة به.
 - ١٠ لا تدع الحجرة المتكسبة من الاستخدام المتكرر للآلات يجعلك تتعامل دون الانتباه اللازم وتجاهل مبادئ السلامة المتعلقة بالآلة. فقد يتسبب أي إجراء غير مدروس في إصابات خطيرة في جزء من الثانية.
 - ١١ استخدام الآلة العاملة بالبطاقة والعناية بها
 - أ) لا جبر الآلة العاملة بالبطاقة على أعمال تفوق قدرتها. استخدم الآلة العاملة بالبطاقة للملائمة لأعمالك. ستقوم الآلة العاملة بالبطاقة للملائمة بأداء أعمالك بشكل أفضل وأكثر أمانًا بالعدل الذي أعدت له.
 - ب) لا تستخدم الآلة العاملة بالبطاقة إذا كان مفتاح التشغيل لا يمكن نقله إلى وضع التشغيل أو وضع الإيقاف. أي آلة عاملة بالبطاقة لا يمكن التحكم فيها بمفتاح التشغيل تعتبر خطيرة وينبغي إصلاحها.
 - ١٢ افضل القاييس من مصدر التيار، وأو اخلع مجموعة البطاريات -إذا كانت قابلة للخلع- من الآلة العاملة بالبطاقة قبل إجراء أي تعديلات أو تغيير ملحقات أو تخزين الآلات العاملة بالبطاقة. إجراءات السلامة الوقائية هذه قد من خطر تشغيل الآلة العاملة بالبطاقة بشكل خاطئ.
 - ١٣ خزن الأداة العاملة بالبطاقة المضبوطة على وضع الاستعداد بعيدًا عن متناول أيدي الأطفال. ولا تسمح للأشخاص غير المتدربين على الأداة العاملة بالبطاقة أو أي الأطفال. لا تسمح للأشخاص غير المتدربين على هذه التعليمات بتشغيل الأداة العاملة بالبطاقة. الآلات العاملة بالبطاقة تكون خطيرة في أيدي الأشخاص غير المدربين.
 - ١٤ حافظ على الآلات العاملة بالبطاقة والملحقات. تحقق ما إذا كان هناك عدم محاذاة أو ربط للأجزاء المتحركة، وعدم وجود أجزاء مكسورة وأي حالة أخرى قد تؤثر على تشغيل الآلة العاملة بالبطاقة. إذا كان هناك تلف، فقم بإصلاح الآلة العاملة بالبطاقة قبل استخدامها. فالعديد من الحوادث يكون سببها الآلات التي لم تتم صيانتها.
 - ١٥ احتفظ بالأدوات القاطعة حادة ونظيفة. الأدوات القاطعة التي تتم صيانتها كما ينبغي للاحتفاظ بحوافها القاطعة تكون أقل عرضة للاحتناخ وسهل التحكم فيها.
 - ١٦ استخدم الآلة والملحقات اللقم وما شابههم وفقًا لهذه التعليمات. مع الأخذ في الاعتبار بظروف العمل والأعمال التي سيتم تنفيذها. قد يؤدي استخدام الآلة في أعمال غير تلك المخصصة لها إلى حوادث خطيرة.

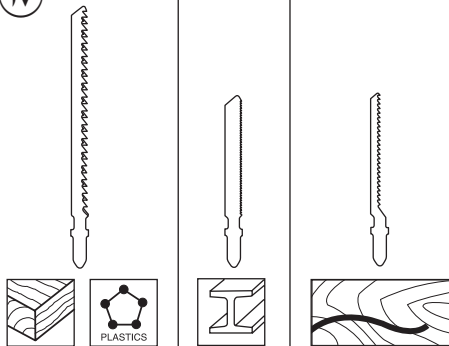
١٥



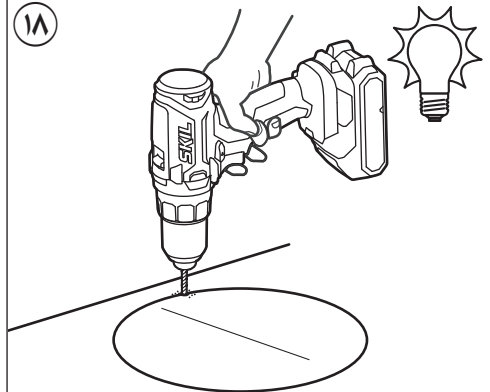
١٦



١٧



١٨

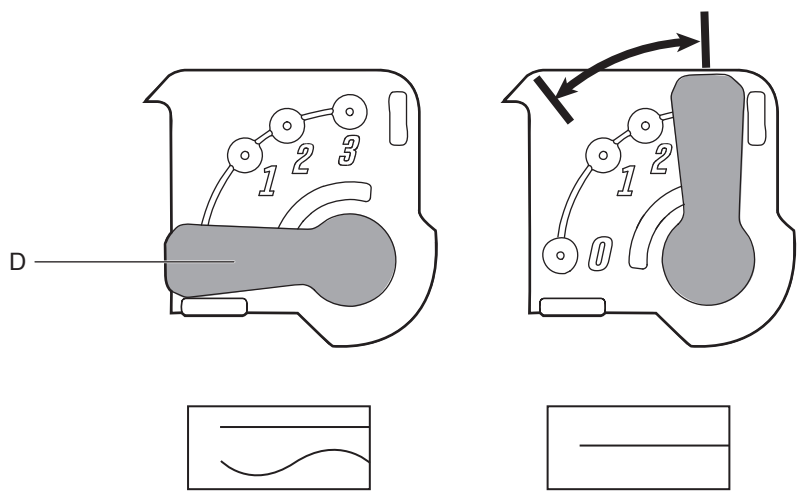


WWW.SKIL.COM

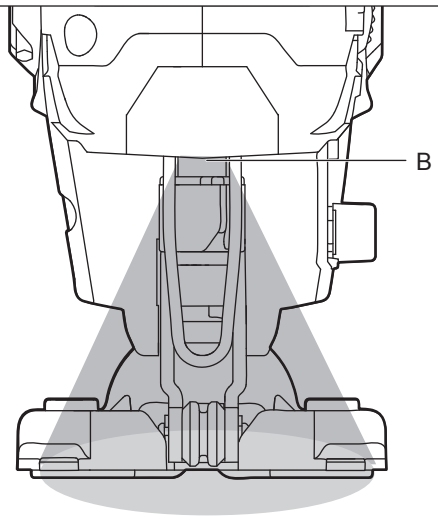


الملحقات

13



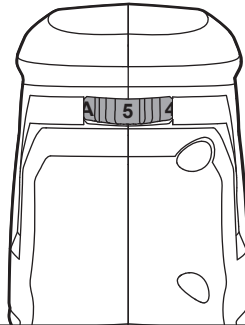
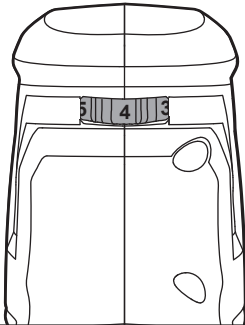
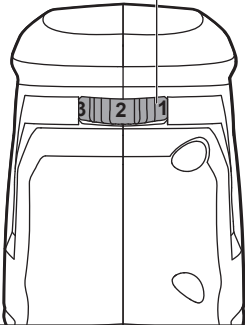
14



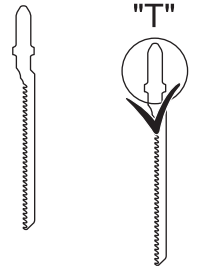
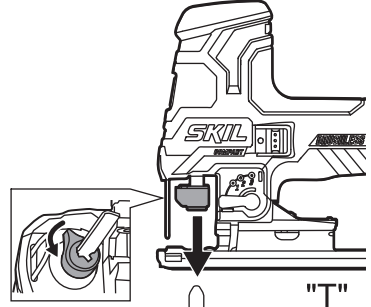
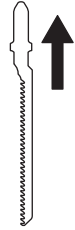
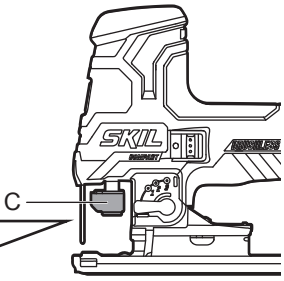
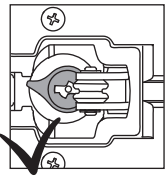
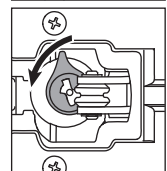
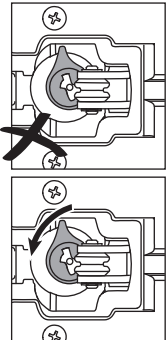
9

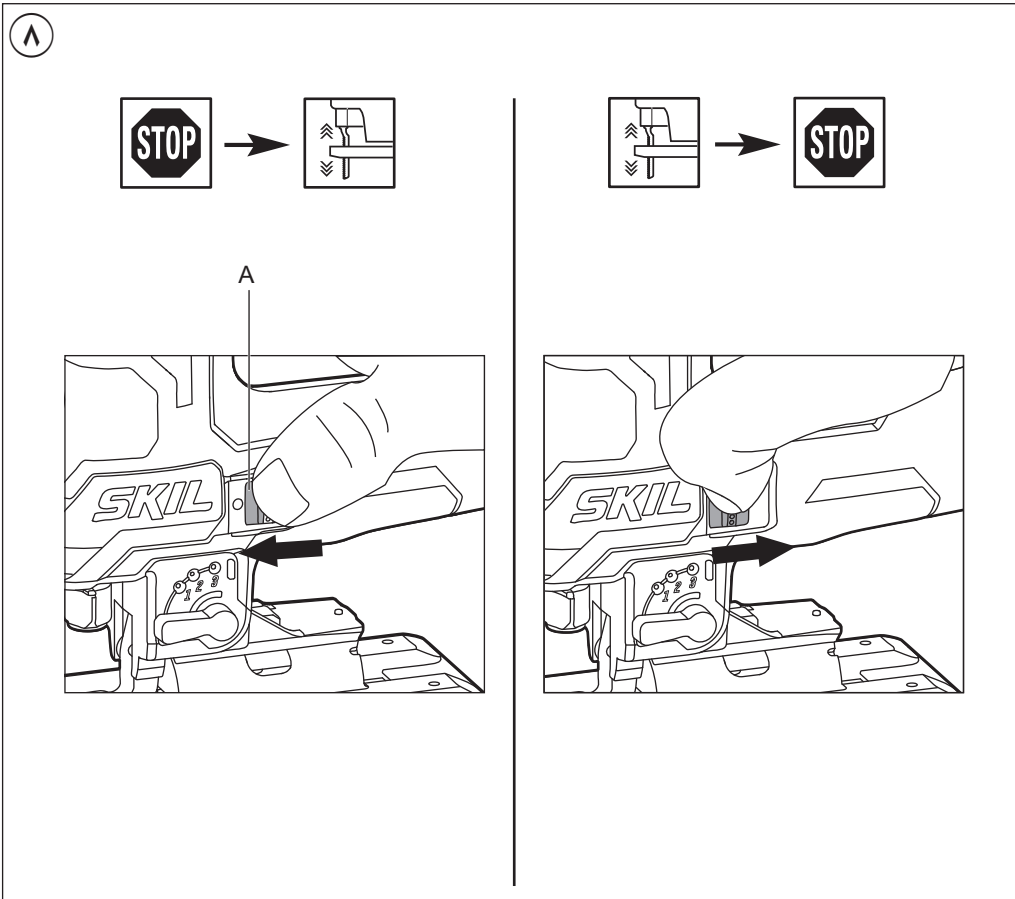
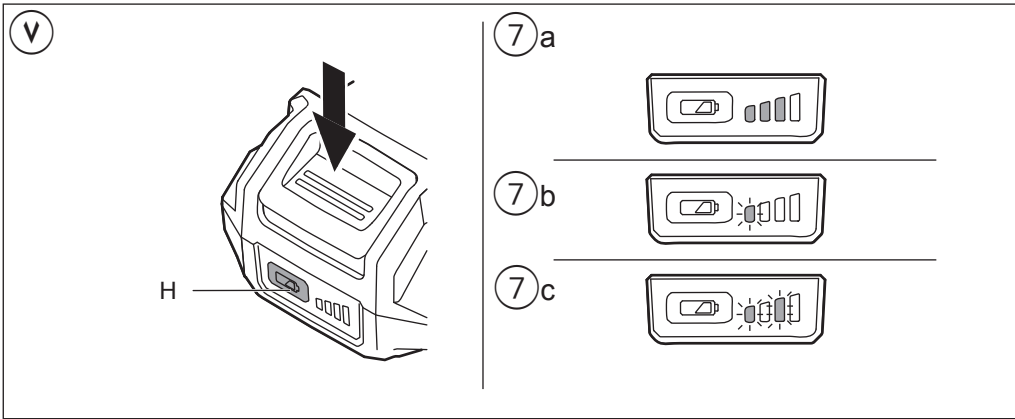


F



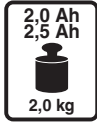
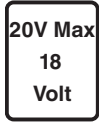
10



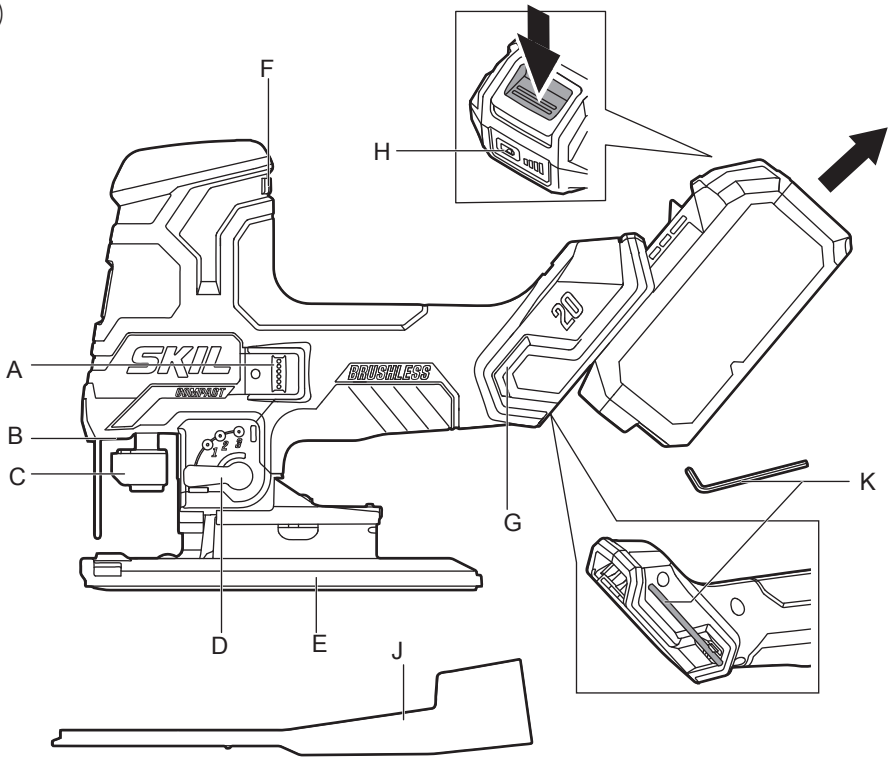


1

3440



2



3



4



5

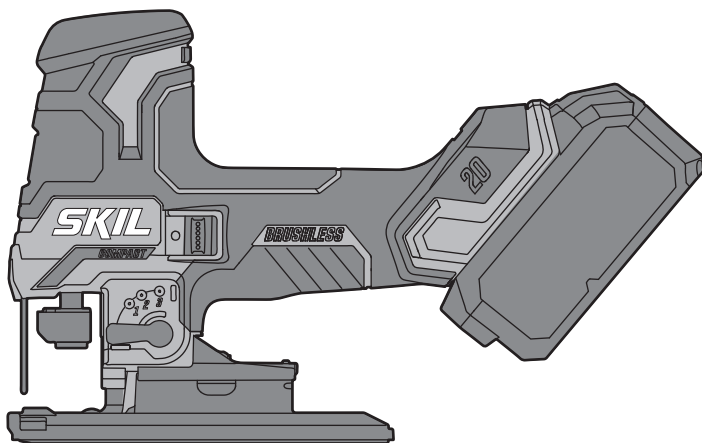


6



منشار منحنیات مدمج بدون فرش
3440

SKIL®



دليل الاستعمال **AR**
راهنمای اصلي **FA**

