

# SKIL®

## BRUSHLESS CORDLESS RECIPROCATING SAW 3475 (SW1\*3475\*\*)



<b>GB</b>	ORIGINAL INSTRUCTIONS	8	<b>UA</b>	ОРИГІНАЛЬНА ІНСТРУКЦІЯ З ЕКСПЛУАТАЦІЇ	71
<b>F</b>	NOTICE ORIGINALE	11	<b>GR</b>	ΠΡΟΤΟΤΥΠΟ ΟΔΗΓΙΩΝ ΧΡΗΣΗΣ	76
<b>D</b>	ORIGINALBETRIEBSANLEITUNG	15	<b>RO</b>	INSTRUCȚIUNI DE FOLOSIRE ORIGINALE	80
<b>NL</b>	ORIGINELE GEBRUIKSAANWIJZING	20	<b>BG</b>	ОРИГИНАЛНО РЪКОВОДСТВО ЗА ЕКСПЛОАТАЦИЯ	84
<b>S</b>	BRUKSANVISNING I ORIGINAL	24	<b>SK</b>	PŮVODNÝ NÁVOD NA POUŽITIE	89
<b>DK</b>	ORIGINAL BRUGSANVISNING	27	<b>HR</b>	ORIGINALNE UPUTE ZA RAD	93
<b>N</b>	ORIGINAL BRUKSANVISNING	31	<b>SRB</b>	ORIGINALNO UPUTSTVO ZA RAD	96
<b>FIN</b>	ALKUPERÄISET OHJEET	35	<b>SLO</b>	IZVIRNA NAVODILA	100
<b>E</b>	MANUAL ORIGINAL	38	<b>EST</b>	ALGUPÄRANE KASUTUSJUHEND	104
<b>P</b>	MANUAL ORIGINAL	42	<b>LV</b>	ORIĢINĀLĀ LIETOŠANAS PAMĀCĪBA	107
<b>I</b>	ISTRUZIONI ORIGINALI	46	<b>LT</b>	ORIGINALI INSTRUKCIJA	111
<b>H</b>	EREDETI HASZNÁLATI UTASÍTÁS	50	<b>MK</b>	ИЗБОРНО УПАТСТВО ЗА РАБОТА	115
<b>CZ</b>	PŮVODNÍM NÁVODEM K POUŽÍVÁNÍ	55	<b>AL</b>	UDHËZIMET ORIGJINALE	119
<b>TR</b>	ORİJİNAL İŞLETME TALİMATI	58	<b>AR</b>	دليل الاستعمال	131
<b>PL</b>	INSTRUKCJA ORYGINALNA	62	<b>FA</b>	راهنمای اصلي	129
<b>RU</b>	ПОДЛИННИК РУКОВОДСТВА ПО ЭКСПЛУАТАЦИИ	66			



**EAC**



[www.skil.com](http://www.skil.com)



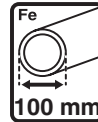
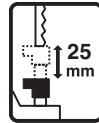
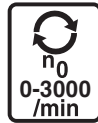
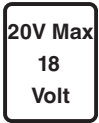
<b>(GB)</b>	<b>EU Declaration of conformity</b>		We declare under our sole responsibility that the stated products comply with all applicable provisions of the directives and regulations listed below and are in conformity with the following standards. Technical file at:*
	<b>Cordless reciprocating saw</b>	Article number	
<b>(F)</b>	<b>Déclaration de conformité UE</b>		Nous déclarons sous notre propre responsabilité que les produits décrits sont en conformité avec les directives, règlements normatifs et normes énumérés ci-dessous. Dossier technique auprès de:*
	<b>Scie sabre sans fil</b>	Numéro d'article	
<b>(D)</b>	<b>EU-Konformitätserklärung</b>		Wir erklären in alleiniger Verantwortung, dass die genannten Produkte allen einschlägigen Bestimmungen der nachfolgend aufgeführten Richtlinien und Verordnungen entsprechen und mit folgenden Normen übereinstimmen. Technische Unterlagen bei:*
	<b>Kabellose Säbelsäge</b>	Sachnummer	
<b>(NL)</b>	<b>EU-conformiteitsverklaring</b>		Wij verklaren op eigen verantwoordelijkheid dat de genoemde producten voldoen aan alle desbetreffende bepalingen van de hierna genoemde richtlijnen en verordeningen en overeenstemmen met de volgende normen. Technisch dossier bij:*
	<b>Accu reciprozaag</b>	Productnummer	
<b>(S)</b>	<b>EU-konformitetsförklaring</b>		Vi förklarar under eget ansvar att de nämnda produkterna uppfyller kraven i alla gällande bestämmelser i de nedan angivna direktiven och förordningarnas och att de stämmer överens med följande normer. Teknisk dokumentation:*
	<b>Sladdlös tigersåg</b>	Produktnummer	
<b>(DK)</b>	<b>EU-overensstemmelseserklæring</b>		Vi erklærer som eneansvarlige, at det beskrevne produkt er i overensstemmelse med alle gældende bestemmelser i følgende direktiver og forordninger og opfylder følgende standarder. Tekniske bilag ved:*
	<b>Batteridrevet bajonetsav</b>	Typenummer	
<b>(N)</b>	<b>EU-samsvarserklæring</b>		Vi erklærer under eneansvar at de nevnte produktene er i overensstemmelse med alle relevante bestemmelser i direktivene og forordningene nedenfor og med følgende standarder. Teknisk dokumentasjon hos:*
	<b>Oppladbar bajonetsag</b>	Produktnummer	
<b>(FIN)</b>	<b>EU-vaatimustenmukaisuusvakuutus</b>		Vakuutamme täten, että mainitut tuotteet vastaavat kaikkia seuraavien direktiivien ja asetusten asiaankuuluvia vaatimuksia ja ovat seuraavien standardien vaatimusten mukaisia. Tekniset asiakirjat saatavana:*
	<b>Akkupuukkosaha</b>	Tuotenumero	
<b>(E)</b>	<b>Declaración de conformidad UE</b>		Declaramos bajo nuestra exclusiva responsabilidad, que los productos nombrados cumplen con todas las disposiciones correspondientes de las directivas y los reglamentos mencionados a continuación y están en conformidad con las siguientes normas. Documentos técnicos de:*
	<b>Sierra sable sin cable</b>	Número de artículo	
<b>(P)</b>	<b>Declaração de conformidade CE</b>		Declaramos sob nossa exclusiva responsabilidade que os produtos mencionados cumprem todas as disposições e os regulamentos indicados e estão em conformidade com as seguintes normas. Documentação técnica pertencente à:*
	<b>Serra alternada sem fios</b>	Número do produto	
<b>(I)</b>	<b>Dichiarazione di conformità UE</b>		Dichiariamo sotto la nostra piena responsabilità che i prodotti indicati sono conformi a tutte le disposizioni pertinenti delle direttive e dei regolamenti elencati di seguito, nonché alle seguenti normative. Documentazione tecnica presso:*
	<b>Seghetto alternativo cordless</b>	Codice prodotto	
<b>(H)</b>	<b>EU konformitási nyilatkozat</b>		Egyedüli felelősséggel kijelentjük, hogy a megnevezett termékek megfelelnek az alábbiakban felsorolásra kerülő irányelvek és rendeletek valamennyi idevágó előírásainak és megfelelnek a következő szabványoknak. Műszaki dokumentumok megőrzési pontja:*
	<b>Akkus lengőfűrész</b>	Cikkszám	
<b>(CZ)</b>	<b>EU prohlášení o shodě</b>		Prohlašujeme na výhradní zodpovědnost, že uvedený výrobek splňuje všechna příslušná ustanovení níže uvedených směrnic a nařízení a je v souladu s následujícími normami. Technické podklady u:*
	<b>Akumulátorová vratná píla</b>	Objednací číslo	
<b>(TR)</b>	<b>AB Uygunluk beyanı</b>		Tek sorumlu olarak, tanımlanan ürünün aşağıdaki yönetmelik ve direktiflerin geçerli bütün hükümlerine ve aşağıdaki standartlara uygun olduğunu beyan ederiz. Teknik belgelerin bulunduğu yer:*
	<b>Kablosuz panter testere</b>	Ürün kodu	
<b>(PL)</b>	<b>Deklaracja zgodności UE</b>		Oświadczamy z pełną odpowiedzialnością, że niniejsze produkty odpowiadają wszystkim wymaganiom poniżej wyszczególnionych dyrektyw i rozporządzeń, oraz że są zgodne z następującymi normami. Dokumentacja techniczna:*
	<b>Bezprzewodowa piła szablowa</b>	Numer katalogowy	
<b>(RU)</b>	<b>Заявление о соответствии ЕС</b>		Мы заявляем под нашу единоличную ответственность, что названные продукты соответствуют всем действующим предписаниям нижеуказанных директив и распоряжений, а также нижеуказанных норм. Техническая документация хранится у:*
	<b>Аннуляторная сабельная пила</b>	Товарный номер	
<b>(UA)</b>	<b>Заява про відповідність ЄС</b>		Мізаьявляємо під нашу одноособову відповідальність, що названі вироби відповідають усім чинним положенням нищеозначених директив і розпоряджень, а також нижчеозначеним нормам. Технічна документація зберігається у:*
	<b>Бездротова шабельна пила</b>	Товарний номер	



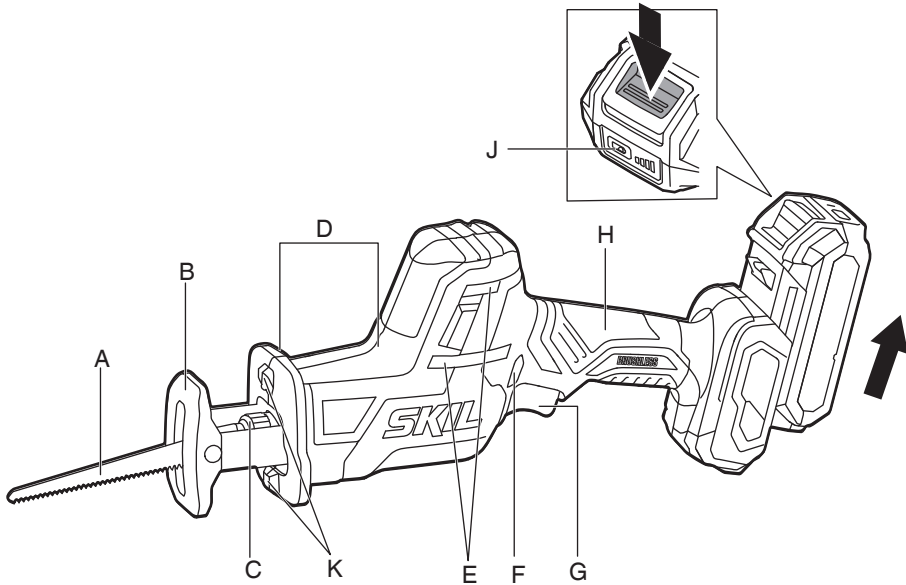
<b>GR</b>	<b>Αήλωση πιστότητας ΕΕ</b> <b>Ασύρματο παλινδρομικό πριόνι</b> Αριθμός ευρετηρίου	Δηλώνουμε με αποκλειστική μας ευθύνη, ότι τα αναφερόμενα προϊόντα αντιστοιχούν σε όλες τις σχετικές διατάξεις των πιο κάτω αναφερόμενων οδηγιών και κανονισμών και ταυτίζονται με τα ακόλουθα πρότυπα. Τεχνικά έγγραφα στη:*
<b>RO</b>	<b>Declarație de conformitate UE</b> <b>Ferăstrău alternativ cu acumulator</b> Număr de identificare	Declarăm pe proprie răspundere că produsele menționate corespund tuturor dispozițiilor relevante ale directivelor și reglementărilor enumerate în cele ce urmează și sunt în conformitate cu următoarele standarde. Documentație tehnică la:*
<b>BG</b>	<b>ЕС декларация за съответствие</b> <b>Безкабелен саблен трион</b> Каталожен номер	С пълна отговорност ние декларираме, че посочените продукти отговарят на всички валидни изисквания на директивите и разпоредбите по-долу и съответства на следните стандарти. Техническа документация при:*
<b>SK</b>	<b>EU vyhlásenie o zhode</b> <b>Akumulátorová vratná píla</b> Vecné číslo	Vyhlasujeme na výhradnú zodpovednosť, že uvedený výrobok spĺňa všetky príslušné ustanovenia nižšie uvedených smerníc a nariadení a je v súlade s nasledujúcimi normami. Technické podklady má spoločnosť:*
<b>HR</b>	<b>EU izjava o skladnosti</b> <b>Akumulatorska sabljasta pila</b> Kataloški broj	Pod punom odgovornošću izjavljujemo da navedeni proizvodi odgovaraju svim relevantnim odredbama direktiva i propisima navedenima u nastavku i da su skladni sa sljedećim normama. Tehnička dokumentacija se može dobiti kod:*
<b>SRB</b>	<b>EU-izjava o usaglašenosti</b> <b>Bežična ubodna testera</b> Broj predmeta	Na sopstvenu odgovornost izjavljujemo, da navedeni proizvodi odgovaraju svim dotičnim odredbama naknadno navedenih smernica u uredbi i da su u skladu sa sledećim standardima. Tehnička dokumentacija kod:*
<b>SLO</b>	<b>Izjava o skladnosti ES</b> <b>Brezžična sabljasta žaga</b> Številka artikla	Izjavljamo pod izključno odgovornostjo, da je omenjen izdelek v skladu z vsemi relevantnimi določili direktiv in uredb ter ustreza naslednjim standardom. Tehnična dokumentacija pri:*
<b>EST</b>	<b>EL-vastavusdeklaratsioon</b> <b>Juhtmeta liikumissuunda vahetav saag</b> Tootenumber	Kinnitame ainuvastutajatena, et nimetatud tooted vastavad järgnevalt loetletud direktiivide ja määruste kõikidele asjaomastele nõuetele ja on kooskõlas järgmistele normidega. Tehnilised dokumendid saadaval:*
<b>LV</b>	<b>Deklarācija par atbilstību EK standartiem</b> <b>Bezkontakta bezvadu turpatpakaljustības zāģis</b> Izstrādājuma numurs	Mēs ar pilnu atbildību paziņojam, ka šeit aplūkote izstrādājumi atbilst visiem tālāk minētajās direktīvās un rīkojumos ietvertajām saistošajām nostādņēm, kā arī sekojošiem standartiem. Tehniskā dokumentācija no:*
<b>LT</b>	<b>ES atitikties deklaracija</b> <b>Belaidis tiesinis pjūklas</b> Gaminio numeris	Atsakingai pareiškiame, kad išvardyti gaminiai atitinka visus privalomus žemiau nurodytų direktyvų ir reglamentų reikalavimus ir šiuos standartus. Techninė dokumentacija saugoma:*
<b>MK</b>	<b>EU-Изјава за сообразност</b> <b>безжична повратна пила</b> Број на артикл	Со целосна одговорност изјавуваме, дека опишаните производи се во согласност со сите релевантни одредби на следните регулативи и прописи и се во согласност со следните норми. Техничка документација кај:*
<b>AL</b>	<b>EU Deklarata e konformitetit</b> <b>Sharrë me tërheqje me bateri</b> Numri i nenit	Ne deklarojmë me përgjegjësinë tonë të vetme se produktet e paraqitura janë në përputhje me të gjitha dispozitat e zbatueshme të direktivave dhe rregulloreve të listuara më poshtë dhe janë në përputhje me standardet si më poshtë. Dosja teknike në:*
<b>3475</b> <b>SW1*3475**</b>		2006/42/EC 2014/30/EU 2011/65/EU  EN 62841-1:2015 EN 62841-2-11:2016 + A1:2020  EN 55014-1:2021 EN 55014-2:2021  EN 63000:2018
		<b>SKIL</b> ® *Skil BV Rithmeesterpark 22 A1 4838 GZ Breda The Netherlands
		Olaf Dijkgraaf Approval Manager    Skil BV, Rithmeesterpark 22 A1, 4838 GZ Breda, NL 07.05.2022

1

3475



2



3



4



5

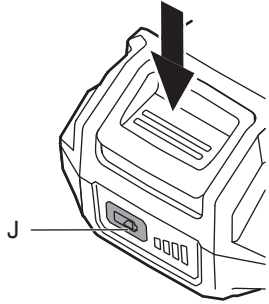


max. 50 °C

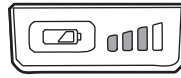
6



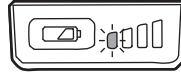
7



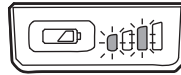
7 a



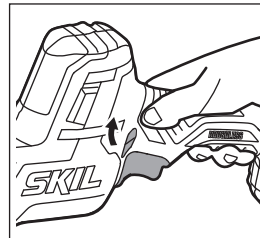
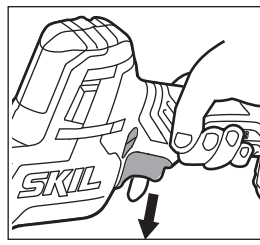
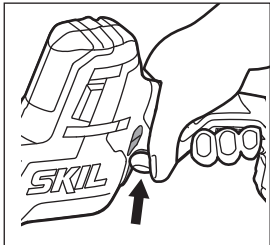
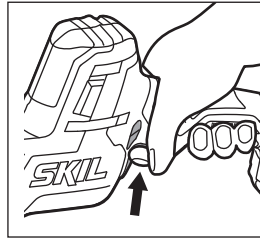
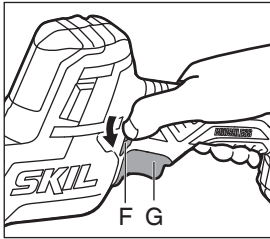
7 b

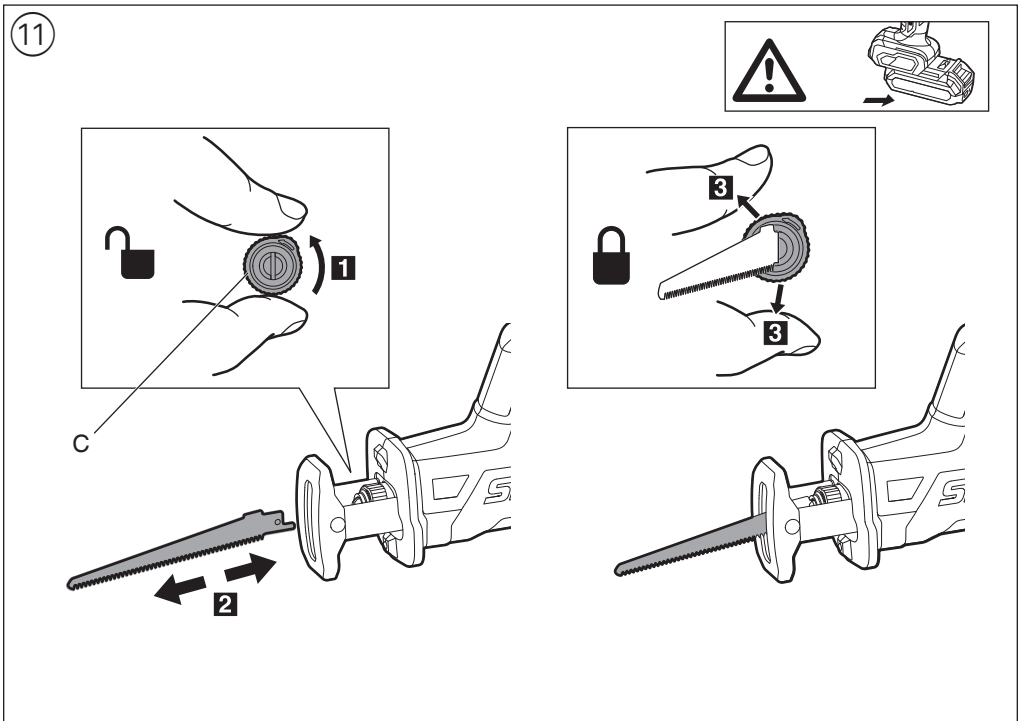
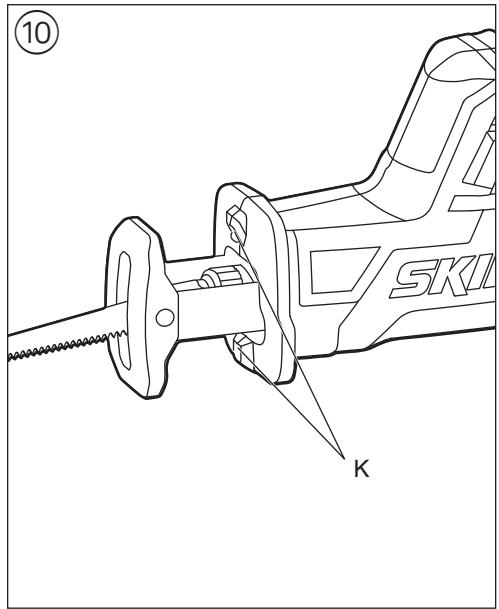
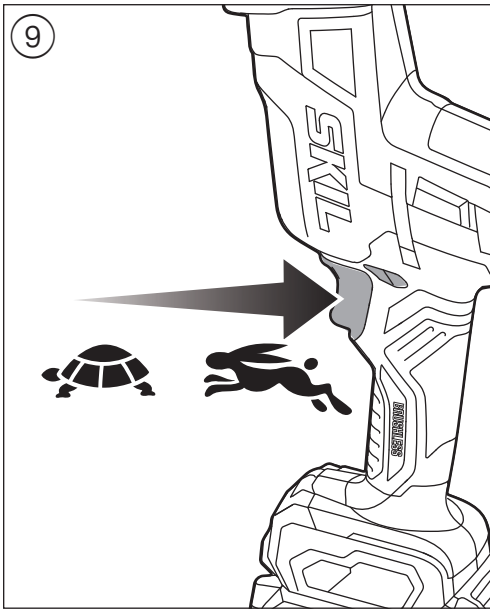


7 c

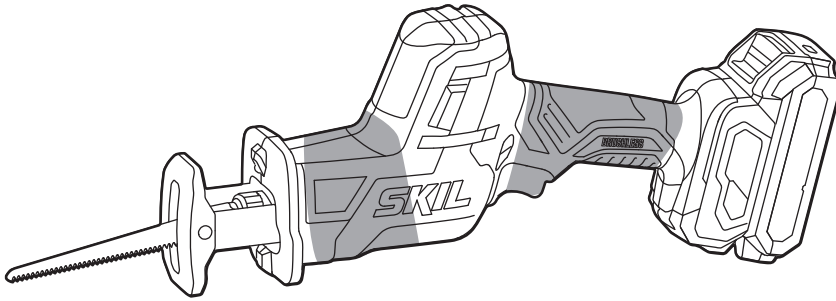


8

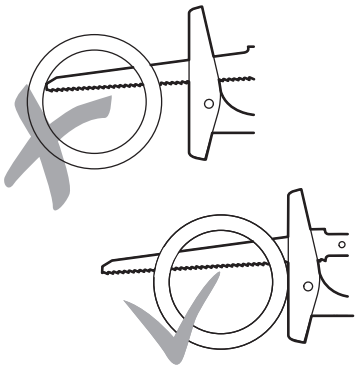




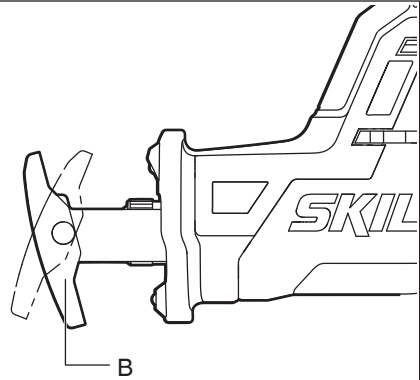
12



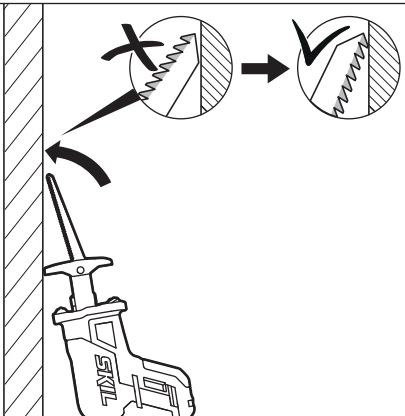
13



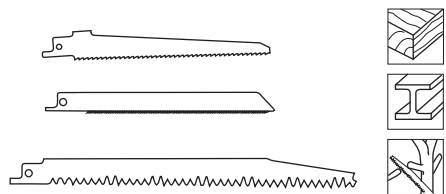
14



15



16



ACCESSORIES



WWW.SKIL.COM

## Brushless cordless reciprocating saw

3475

### INTRODUCTION

- This tool is intended for cutting of wood, plastic, metal and building materials as well as for pruning and tree trimming.
- This tool is not intended for professional use.
- Read and save this instruction manual.③

### TECHNICAL DATA ①

### TOOL ELEMENTS ②

- A Blade
- B Pivot Shoe
- C Blade clamp
- D Barrel grip
- E Ventilation slots
- F Locking button
- G Switch for on/off and speed control
- H Handle
- J Battery level indicator button
- K Dual LED lights

### SAFETY

#### GENERAL POWER TOOL SAFETY WARNINGS

**⚠ WARNING** Read all safety warnings, instructions, illustrations and specifications provided with this power tool. Failure to follow all instructions listed below may result in electric shock, fire and/or serious injury.

Save all warnings and instructions for future reference.

The term "power tool" in the warnings refers to your mainsoperated (corded) power tool or battery-operated (cordless) power tool.

#### 1) WORK AREA SAFETY

- a) **Keep work area clean and well lit.** Cluttered or dark areas invite accidents.
- b) **Do not operate power tools in explosive atmospheres, such as in the presence of flammable liquids, gases or dust.** Power tools create sparks which may ignite the dust or fumes.
- c) **Keep children and bystanders away while operating a power tool.** Distractions can cause you to lose control.

#### 2) ELECTRICAL SAFETY

- a) **Power tool plugs must match the outlet. Never modify the plug in any way. Do not use any adapter plugs with earthed (grounded) power tools.** Unmodified plugs and matching outlets will reduce risk of electric shock.
- b) **Avoid body contact with earthed or grounded surfaces such as pipes, radiators, ranges and refrigerators.** There is an increased risk of electric shock if your body is earthed or grounded.

c) **Do not expose power tools to rain or wet conditions.** Water entering a power tool will increase the risk of electric shock.

d) **Do not abuse the cord. Never use the cord for carrying, pulling or unplugging the power tool. Keep cord away from heat, oil, sharp edges or moving parts.** Damaged or entangled cords increase the risk of electric shock.

e) **When operating a power tool outdoors, use an extension cord suitable for outdoor use.** Use of a cord suitable for outdoor use reduces the risk of electric shock.

f) **If operating a power tool in a damp location is unavoidable, use a residual current device (RCD) protected supply.** Use of an RCD reduces the risk of electric shock.

#### 3) PERSONAL SAFETY

a) **Stay alert, watch what you are doing and use common sense when operating a power tool. Do not use a power tool while you are tired or under the influence of drugs, alcohol or medication.** A moment of inattention while operating power tools may result in serious personal injury.

b) **Use personal protective equipment. Always wear eye protection.** Protective equipment such as a dust mask, non-skid safety shoes, hard hat, or hearing protection used for appropriate conditions will reduce personal injuries.

c) **Prevent unintentional starting. Ensure the switch is in the off-position before connecting to power source and/or battery pack, picking up or carrying the tool.** Carrying power tools with your finger on the switch or energising power tools that have the switch on invites accidents.

d) **Remove any adjusting key or wrench before turning the power tool on.** A wrench or a key left attached to a rotating part of the power tool may result in personal injury.

e) **Do not overreach. Keep proper footing and balance at all times.** This enables better control of the power tool in unexpected situations.

f) **Dress properly. Do not wear loose clothing or jewellery. Keep your hair and clothing away from moving parts.** Loose clothes, jewellery or long hair can be caught in moving parts.

g) **If devices are provided for the connection of dust extraction and collection facilities, ensure these are connected and properly used.** Use of dust collection can reduce dust-related hazards.

h) **Do not let familiarity gained from frequent use of tools allow you to become complacent and ignore tool safety principles.** A careless action can cause severe injury within a fraction of a second.

#### 4) POWER TOOL USE AND CARE

a) **Do not force the power tool. Use the correct power tool for your application.** The correct power tool will do the job better and safer at the rate for which it was designed.

b) **Do not use the power tool if the switch does not turn it on and off.** Any power tool that cannot be controlled with the switch is dangerous and must be repaired.

c) **Disconnect the plug from the power source and/or remove the battery pack, if detachable, from**



**the power tool before making any adjustments, changing accessories, or storing power tools.** Such preventive safety measures reduce the risk of starting the power tool accidentally.

- d) **Store idle power tools out of the reach of children and do not allow persons unfamiliar with the power tool or these instructions to operate the power tool.** Power tools are dangerous in the hands of untrained users.
  - e) **Maintain power tools and accessories. Check for misalignment or binding of moving parts, breakage of parts and any other condition that may affect the power tool's operation. If damaged, have the power tool repaired before use.** Many accidents are caused by poorly maintained power tools.
  - f) **Keep cutting tools sharp and clean.** Properly maintained cutting tools with sharp cutting edges are less likely to bind and are easier to control.
  - g) **Use the power tool, accessories and tool bits etc., in accordance with these instructions, taking into account the working conditions and the work to be performed.** Use of the power tool for operations different from those intended could result in a hazardous situation.
  - h) **Keep handles and grasping surfaces dry, clean and free from oil and grease.** Slippery handles and grasping surfaces do not allow for safe handling and control of the tool in unexpected situations.
- 5) BATTERY TOOL USE AND CARE**
- a) **Recharge only with the charger specified by the manufacturer.** A charger that is suitable for one type of battery pack may create a risk of fire when used with another battery pack.
  - b) **Use power tools only with specifically designated battery packs.** Use of any other battery packs may create a risk of injury and fire.
  - c) **When battery pack is not in use, keep it away from other metal objects like paper clips, coins, keys, nails, screws, or other small metal objects that can make a connection from one terminal to another.** Shorting the battery terminals together may cause burns or a fire.
  - d) **Under abusive conditions, liquid may be ejected from the battery; avoid contact. If contact accidentally occurs, flush with water. If liquid contacts eyes, additionally seek medical help.** Liquid ejected from the battery may cause irritation or burns.
  - e) **Do not use a battery pack or tool that is damaged or modified.** Damaged or modified batteries may exhibit unpredictable behaviour resulting in fire, explosion or risk of injury.
  - f) **Do not expose a battery pack or tool to fire or excessive temperature.** Exposure to fire or temperature above 130 °C may cause explosion.
  - g) **Follow all charging instructions and do not charge the battery pack or tool outside the temperature range specified in the instructions.** Charging improperly or at temperatures outside the specified range may damage the battery and increase the risk of fire.
- 6) SERVICE**
- a) **Have your power tool serviced by a qualified repair person using only identical replacement parts.** This will ensure that the safety of the power tool is maintained.
  - b) **Never service damaged battery packs.** Service

of battery packs should only be performed by the manufacturer or authorized service providers.

## **SAFETY INSTRUCTIONS FOR BRUSHLESS RECIPROCATING SAWS**

- **Hold the power tool by insulated gripping surfaces, when performing an operation where the cutting accessory may contact hidden wiring** (cutting accessory contacting a "live" wire may make exposed metal parts of the power tool "live" and could give the operator an electric shock)
- **Use clamps or another practical way to secure and support the workpiece to a stable platform** (holding the workpiece by hand or against your body leaves it unstable and may lead to loss of control)

### **ACCESSORIES**

- SKIL can assure flawless functioning of the tool only when original accessories are used
- Use only accessories with an allowable speed matching at least the highest no-load speed of the tool

### **BEFORE USE**

- Avoid damage that can be caused by screws, nails and other elements in your workpiece; remove them before you start working
- **Use suitable detectors to find hidden utility lines or call the local utility company for assistance** (contact with electric lines can lead to fire or electrical shock; damaging a gas line can result in an explosion; penetrating a water pipe will cause property damage or an electrical shock)

### **PERSONAL SAFETY**

- This tool should not be used by people under the age of 16 years
- **Do not work materials containing asbestos** (asbestos is considered carcinogenic)
- Dust from material such as paint containing lead, some wood species, minerals and metal may be harmful (contact with or inhalation of the dust may cause allergic reactions and/or respiratory diseases to the operator or bystanders); **wear a dust mask and work with a dust extraction device when connectable**
- Certain kinds of dust are classified as carcinogenic (such as oak and beech dust) especially in conjunction with additives for wood conditioning; **wear a dust mask and work with a dust extraction device when connectable**
- Follow the dust-related national requirements for the materials you want to work with
- **Keep hands away from cutting area and the blade; keep your second hand on barrel grip D ②** (if both hands are holding the saw, they can not be cut by the blade)
- **Do not reach underneath the workpiece** (the proximity of the blade to your hand is hidden from your sight)
- **Never hold piece being cut in your hands or across your leg** (it is important to support the work properly to minimise body exposure, blade binding, or loss of control)
- **Do not use a dull or damaged blade** (bent blades can break easily or cause kickback)
- **Use protective gloves when removing the blade from the tool** (the saw blade may be hot after prolonged use)
- Wear protective glasses and hearing protection

## BATTERIES

- **The battery supplied is partially charged** (to ensure full capacity of the battery, completely charge the battery in the battery charger before using your power tool for the first time)
- **Only use the following batteries and chargers with this tool**
  - SKIL battery: BR1\*31\*\*\*\*
  - SKIL charger: CR1\*31\*\*\*\*
- Do not use the battery when damaged; it should be replaced
- Do not disassemble the battery
- Do not expose tool/battery to rain
- Permitted ambient temperature (tool/charger/battery):
  - when charging 4...40°C
  - during operation -20...+50°C
  - during storage -20...+50°C

## EXPLANATION OF SYMBOLS ON TOOL/BATTERY

- ③ Read the instruction manual before use
- ④ Batteries may explode when disposed of in fire, so do not burn battery for any reason
- ⑤ Store tool/charger/battery in locations where temperature will not exceed 50°C
- ⑥ Do not dispose of electric tools and batteries together with household waste material

## USE

- **Charging battery**
  - ! **read the safety warnings and instructions provided with the charger**
- Removing/installing the battery ②
- Battery level indicator ⑦
  - press the battery level indicator button J to show the current battery level ⑦a
  - ! **when the lowest level of the battery indicator starts flashing after pressing button J ⑦b, the battery is empty**
  - ! **when 2 levels of the battery indicator start flashing after pressing button J ⑦c, the battery is not within the allowable operating temperature range**
- Combined switch for on/off and speed control with locking button ⑧ ⑨
  - first unlock by pressing button F
  - switch on the tool by pulling trigger G
  - control the speed steplessly from zero to maximum by putting less or more pressure on the trigger
  - switch off by releasing trigger G
- Locking button F can be activated ⑧
  - if activated, the on/off switch is blocked and the machine is secured against being switched on unintentionally
- Dual LED lights K ⑩
  - Dual LED lights automatically light on when activating switch G
  - ! **when LED lights start flashing, the battery protection is activated (see below)**
- Battery protection
  - The tool is suddenly being switched off or prevented from being switched on, when
    - **the load is too high** --> remove load and restart
    - **the battery temperature is not within the allowable operating temperature range of -20 to +50°C** --> 2 levels of the battery level indicator start flashing when

pressing button J ⑦c; wait until battery has returned within the allowable operating temperature range

- **the battery is nearly empty (to protect against deep discharge)** --> a low battery level or flashing low battery level is shown by the battery level indicator when pressing button J; charge battery
  - ! **do not continue to press the on/off switch after the tool is switched off automatically; battery may be damaged**
  - Mounting saw blade ⑪
    - ! **remove battery from tool before making any adjustments or changing accessories**
    - turn blade clamp C in same direction as arrow on tool and hold it in that position
    - insert blade (with teeth facing down or up) to full depth
    - release blade clamp C
    - push in and pull out blade to check whether it is locked correctly
  - Removing saw blade ⑪
    - ! **remove battery from tool before making any adjustments or changing accessories**
    - turn blade clamp C in same direction as arrow on tool and hold it in that position
    - pull out blade
    - release blade clamp C
  - Operating the tool
    - ! **securely clamp the workpiece**
    - mark the cutting line on the workpiece
    - mount battery on tool
    - hold the tool with one hand on handle H and the other on the insulated barrel grip D
    - switch on the tool
    - guide the tool along the marked cutting line
    - keep pivot shoe B firmly against the workpiece to minimize counter-force and vibration
  - Holding and guiding the tool
    - ! **while working, always hold the tool at the grey-coloured grip area(s) ⑫**
    - keep ventilation slots E uncovered
    - do not apply too much pressure on the tool; let the tool do the work for you
    - ! **ensure that the saw blade extends beyond the work throughout the stroke ⑬**
  - Pivoting the shoe ⑭
    - depress the locking button F to the locked position and then remove the battery pack from the tool.
    - firmly hold the saw and then pivot the shoe B to the desired angle, while taking care to avoid contact with the blade.
    - reinstall the battery and prepare to cut
- ## APPLICATION ADVICE
- Plunge cutting ⑮
    - Plunge cuts can be made in wood and other soft materials without pre-drilling a hole
    - use a thick saw blade
    - ! **remove battery from tool before making any adjustments or changing accessories**
    - mark desired cutting line on the workpiece
    - tilt the tool so that the blade does not touch the workpiece
    - switch on the tool and carefully engage the moving saw

blade into the workpiece

- after the blade has penetrated through the workpiece continue sawing along the marked cutting line

**! do not make plunge cuts in metal materials**

- Use the appropriate saw blades <sup>(16)</sup>
- When cutting metals, lubricate saw blade regularly with oil
- Splinter-free cutting
  - cover cutting-line with several layers of wide tape before cutting
  - always face the good side of the workpiece down
- For more information see [www.skil.com](http://www.skil.com)

## MAINTENANCE / SERVICE

- This tool is not intended for professional use
- Always keep tool clean (especially ventilation slots E <sup>(2)</sup>)  
**! remove battery from tool before cleaning**
- If the tool should fail despite the care taken in manufacturing and testing procedures, repair should be carried out by an after-sales service centre for SKIL power tools
  - send the tool undismantled together with proof of purchase to your dealer or the nearest SKIL service station (addresses as well as the service diagram of the tool are listed on [www.skil.com](http://www.skil.com))
- Be aware that damage due to overload or improper handling of the tool will be excluded from the warranty (for the SKIL warranty conditions see [www.skil.com](http://www.skil.com) or ask your dealer)

## ENVIRONMENT

- Do not dispose of electric tools, batteries, accessories and packaging together with household waste material (only for EU countries)
    - in observance of European Directive 2012/19/EC on waste of electric and electronic equipment and its implementation in accordance with national law, electric tools that have reached the end of their life must be collected separately and returned to an environmentally compatible recycling facility
    - symbol <sup>(6)</sup> will remind you of this when the need for disposing occurs
- ! prior to disposal protect battery terminals with heavy tape to prevent short-circuit**

## NOISE / VIBRATION

- Measured in accordance with EN 62841 the sound pressure level of this tool is **87** dB(A) and the sound power level **98** dB(A) (uncertainty K = 3 dB), and the vibration \* (triax vector sum; uncertainty K = 1.5 m/s<sup>2</sup>)  
\* cutting board **10.58** m/s<sup>2</sup>  
\* cutting wooden beams **8.46** m/s<sup>2</sup>
- The vibration emission level has been measured in accordance with a standardised test given in EN 62841; it may be used to compare one tool with another and as a preliminary assessment of exposure to vibration when using the tool for the applications mentioned
  - using the tool for different applications, or with different or poorly maintained accessories, may significantly **increase** the exposure level
  - the times when the tool is switched off or when it is running but not actually doing the job, may significantly

reduce the exposure level

**! protect yourself against the effects of vibration by maintaining the tool and its accessories, keeping your hands warm, and organizing your work patterns**

F

## Scie sabre sans fil et sans brosse

3475

## INTRODUCTION

- Cet outil est destiné à la coupe du bois, du plastique, du métal et des matériaux de construction ainsi qu'à l'élagage et à l'ébranchage des arbres.
- Cet outil n'est pas conçu pour un usage professionnel.
- Lisez et conservez ce mode d'emploi. <sup>(3)</sup>

## DONNÉES TECHNIQUES <sup>(1)</sup>

### PIÈCES DE L'OUTIL <sup>(2)</sup>

- A Lame
- B Semelle pivotante
- C Serrage de lame
- D Poignée cylindrique
- E Fentes de ventilation
- F Bouton de verrouillage
- G Interrupteur de marche/arrêt et réglage de vitesse
- H Poignée
- J Bouton de l'indicateur de niveau de batterie
- K Deux lampes LED

## SÉCURITÉ

### CONSIGNES DE SÉCURITÉ GÉNÉRALES POUR L'OUTIL ÉLECTRIQUE

**AVERTISSEMENT** Lisez toutes les consignes de sécurité, les instructions, les illustrations et les spécifications de sécurité fournies avec cet outil électrique. Le non-respect des consignes figurant ci-dessous peut provoquer un choc électrique, un incendie et/ou des blessures graves.

**Conservez tous les avertissements et instructions pour pouvoir vous y référer ultérieurement.**

Le terme « outil électrique » utilisé dans les consignes de sécurité désigne votre outil électrique fonctionnant sur secteur (filaire) ou sur batterie (sans fil).

### 1) SÉCURITÉ DE L'AIRE DE TRAVAIL

- Maintenez l'aire de travail propre et bien éclairée.**  
Les endroits sombres ou désordonnés augmentent les risques d'accident.
- N'utilisez pas les outils électriques dans des atmosphères explosives, par exemple en présence de liquides, gaz ou poussières inflammables.** Les outils électriques génèrent des étincelles pouvant enflammer les poussières et les vapeurs.

- c) **Veillez à ce que les enfants et les autres personnes restent éloignés pendant l'utilisation d'un outil électrique.** Un moment d'inattention peut vous faire perdre le contrôle de l'outil.
- 2) **SÉCURITÉ ÉLECTRIQUE**
- a) **La fiche de l'outil électrique doit correspondre à la prise électrique. Ne modifiez jamais la prise de quelque manière que ce soit. N'utilisez jamais d'adaptateur de prise avec les outils électriques pourvus d'une mise à la terre ou à la masse.**  
Les fiches non modifiées et les prises électriques appropriées réduisent le risque de choc électrique.
- b) **Évitez tout contact physique avec des surfaces mises à la terre ou mises à la masse, telles que tuyaux, radiateurs, fours et réfrigérateurs.** Il y a un risque accru de choc électrique si votre corps est relié à la terre ou à la masse, directement ou indirectement.
- c) **N'exposez pas les outils électriques à la pluie ou à un environnement mouillé.** Si de l'eau pénètre dans un outil électrique, cela accroît le risque de choc électrique.
- d) **Prenez soin du câble d'alimentation. N'utilisez jamais le câble d'alimentation pour porter, tirer ou débrancher l'outil électrique. Veillez à ce que le câble d'alimentation n'entre jamais en contact avec de l'huile, des pièces mobiles, des arêtes tranchantes, et ne soit jamais exposé à de la chaleur.** Les câbles d'alimentation endommagés ou emmêlés augmentent le risque de choc électrique.
- e) **Quand vous utilisez un outil électrique en extérieur, utilisez une rallonge électrique adaptée à un usage en extérieur.** L'utilisation d'une rallonge conçue pour un usage en extérieur permet de réduire le risque de choc électrique.
- f) **Si vous êtes obligé d'utiliser un outil électrique dans un endroit humide, utilisez une alimentation protégée par un dispositif différentiel à courant résiduel (DDR).** L'utilisation d'un DDR réduit le risque de choc électrique.
- 3) **SÉCURITÉ DES PERSONNES**
- a) **Restez vigilant, soyez attentif à ce que vous faites et faites preuve de bon sens lors de l'utilisation d'un outil électrique. N'utilisez pas un outil électrique quand vous êtes fatigué ou sous l'emprise de l'alcool, de stupéfiants ou de médicaments.** Un moment d'inattention pendant l'utilisation des outils électriques peut provoquer des blessures corporelles graves.
- b) **Utilisez des équipements de protection individuelle. Portez toujours une protection oculaire.** L'utilisation d'équipements de protection appropriés aux conditions de travail, tels que masque antipoussières, chaussures de sécurité antidérapantes, casque et protections auditives, permet de réduire les risques de blessures corporelles.
- c) **Évitez les démarrages accidentels. Vérifiez que l'interrupteur marche/arrêt est dans la position arrêt avant de brancher l'outil dans une prise électrique et/ou une batterie, de le saisir ou de le transporter.** Transporter un outil électrique les doigts sur son interrupteur marche/arrêt ou le brancher dans une alimentation électrique alors que son interrupteur marche/arrêt est dans la position marche favorise les accidents.
- d) **Retirez toutes les clés de réglage et de serrage avant de mettre l'outil électrique en marche.** Une clé de réglage ou de serrage laissée sur une pièce rotative de l'outil électrique peut provoquer des blessures corporelles.
- e) **N'essayez pas de travailler des endroits difficiles à atteindre.** Conservez en permanence des appuis des pieds solides et un bon équilibre. Cela permet un meilleur contrôle de l'outil électrique en cas de situations inattendues.
- f) **Portez une tenue adaptée. Ne portez pas de vêtements amples ni de bijoux. Maintenez vos cheveux et vos vêtements éloignés des pièces mobiles.** Les vêtements amples, les bijoux et les cheveux longs peuvent se prendre dans les pièces mobiles.
- g) **Si un outil est conçu pour être utilisé avec des dispositifs d'extraction et de récupération des poussières, veillez à ce que ces dispositifs soient raccordés et correctement utilisés.** L'utilisation de dispositifs de récupération des poussières permet de réduire les risques liés aux poussières.
- h) **Veillez à ne pas devenir trop sûr de vous et ne cessez pas de respecter les principes de sécurité même si vous vous sentez familiarisé à l'utilisation de l'outil.** La négligence peut provoquer des blessures graves en une fraction de seconde.
- 4) **UTILISATION ET ENTRETIEN DE L'OUTIL ÉLECTRIQUE**
- a) **Ne forcez pas l'outil électrique. Utilisez l'outil électrique qui convient au travail que vous voulez effectuer.** L'utilisation d'un outil qui convient au travail à effectuer permet de réaliser ce travail plus efficacement, avec une sécurité accrue et au rythme pour lequel l'outil a été conçu.
- b) **N'utilisez pas l'outil électrique si son interrupteur marche/arrêt ne permet pas de l'allumer et de l'éteindre.** Tout outil électrique qui ne peut pas être contrôlé par son interrupteur marche/arrêt est dangereux et doit être réparé.
- c) **Débranchez le câble de l'alimentation électrique et/ou retirez la batterie, si amovible, de l'outil électrique avant tout réglage ou changement d'accessoire, et avant de ranger l'outil électrique.** Cette mesure de sécurité préventive réduit le risque de démarrage accidentel de l'outil électrique.
- d) **Rangez les outils électriques non utilisés hors de portée des enfants. N'autorisez pas les personnes non familiarisées avec l'outil électrique ou ce manuel d'utilisation à l'utiliser.** Les outils électriques sont dangereux dans les mains de personnes inexpérimentées.
- e) **Entretenez les outils électriques et les accessoires. Inspectez-les pour vérifier qu'aucune pièce mobile n'est grippée ou mal alignée, qu'aucune pièce n'est cassée, et pour tout autre problème qui pourrait affecter leur fonctionnement.** Si un outil électrique est endommagé, il doit être réparé avant d'être réutilisé. Beaucoup d'accidents sont dus à des outils électriques mal entretenus.
- f) **Veillez à ce que les accessoires de coupe restent affûtés et propres.** Des accessoires de coupe bien entretenus et bien affûtés risquent moins de se coincer et

sont plus faciles à contrôler.

- g) Utilisez l'outil électrique, ses accessoires, mâches/embouts et toutes les autres pièces conformément aux présentes instructions, en prenant en compte les conditions d'utilisation et le travail à effectuer.** Utiliser l'outil électrique à d'autres finalités que celles pour lesquelles il a été conçu peut engendrer des situations dangereuses.
- h) Maintenez les poignées et surfaces de préhension propres, sèches et exemptes d'huile et de graisse.** Les poignées et surfaces de préhension glissantes ne permettent pas de tenir et de contrôler l'outil de manière sûre en cas de situations inattendues.

#### 5) UTILISATION ET ENTRETIEN DE L'OUTIL SUR BATTERIE

- a) Rechargez la batterie exclusivement avec le chargeur spécifié par le fabricant.** Un chargeur adapté à un type de batterie en particulier peut présenter un risque d'incendie s'il est utilisé avec une batterie différente.
- b) Utilisez les outils électriques exclusivement avec les batteries spécifiées.** L'utilisation de toute autre batterie peut engendrer un risque de blessures et d'incendie.
- c) Quand la batterie n'est pas utilisée, elle doit être rangée à l'écart d'objets métalliques, tels que les trombones, pièces de monnaie, clés, clous, vis et tous les autres petits objets métalliques pouvant mettre en contact ses bornes.** Mettre en court-circuit les bornes de la batterie peut provoquer des brûlures et un incendie.
- d) En cas d'usage abusif, du liquide peut s'échapper de la batterie. Évitez tout contact avec ce liquide. En cas de contact accidentel, rincez à grande eau. En cas de contact avec les yeux, vous devez en outre consulter un médecin.** Le liquide qui s'échappe des batteries peut provoquer des irritations et des brûlures.
- e) N'utilisez pas une batterie ou un outil endommagé ou modifié.** Les batteries modifiées ou endommagées peuvent avoir un comportement imprévisible provoquant un incendie, une explosion ou un risque de blessure.
- f) N'exposez pas la batterie ou l'outil à des flammes ou à une température excessive.** L'exposition au feu ou à des températures supérieures à 130 °C peut provoquer une explosion.
- g) Respectez toutes les instructions de recharge et ne rechargez pas la batterie ou l'outil hors de la plage de température spécifiée dans les instructions.** La recharge incorrecte ou à des températures hors de la plage spécifiée peut endommager la batterie et accroître le risque d'incendie.

#### 6) RÉPARATION

- a) Faites réparer votre outil électrique par un réparateur qualifié qui ne doit utiliser que des pièces de rechange identiques.** Ceci permet de garantir la sûreté de l'outil électrique.
- b) Ne réparez jamais les batteries endommagées.** La réparation des batteries doit toujours être effectuée par le fabricant ou des réparateurs agréés.

#### CONSIGNES DE SECURITE POUR SCIES SABRES SANS BALAIS

- Tenez l'outil par les surfaces de préhension isolées

**si l'accessoire de coupe est susceptible d'entrer en contact avec un câblage non apparent** (le contact avec un fil sous tension peut également mettre sous tension les parties métalliques de l'outil électrique et provoquer un choc électrique sur l'opérateur)

- **Utilisez des pinces ou tout autre moyen pratique pour fixer et soutenir la pièce à usiner sur une surface stable** (tenir la pièce à la main ou contre votre corps la rend instable et peut entraîner une perte de contrôle)

#### ACCESSOIRES

- SKIL ne peut se porter garant du bon fonctionnement de cet outil que s'il a été utilisé avec les accessoires d'origine
- La vitesse admissible des accessoires utilisées doit être au moins aussi élevée que la vitesse à vide maximale de l'outil

#### AVANT L'USAGE

- Faites attention aux vis, clous ou autres éléments qui pourraient se trouver dans la pièce à travailler et qui risqueraient d'endommager très fortement votre outil; enlevez-les avant de commencer le travail
- **Utilisez des détecteurs appropriés afin de localiser les conduites dissimulées ou bien adressez-vous à votre fournisseur local** (un contact avec des lignes électriques peut provoquer un incendie ou une décharge électrique; endommager une conduite de gaz peut entraîner une explosion; endommager une conduite d'eau peut entraîner des dégâts matériels ou une décharge électrique)

#### SÉCURITÉ DES PERSONNES

- Cet outil ne doit pas être utilisé par des personnes de moins de 16 ans
- **Ne travaillez pas avec des matériaux contenant de l'amiante** (l'amiante est considéré cancérigène)
- La poussière de matériaux, tels que la peinture contenant du plomb, certaines espèces de bois, certains minéraux et métaux, peut être nocive (le contact avec la poussière ou son inhalation peut provoquer des réactions allergiques et/ou des maladies respiratoires chez l'opérateur ou les personnes à proximité); **portez un masque antipoussières et travaillez si possible avec un dispositif d'extraction des poussières**
- Certains types de poussières sont classées comme étant cancérigènes (tels que la poussière de chêne ou de hêtre), en particulier en combinaison avec des additifs de traitement du bois; **portez un masque antipoussières et travaillez si possible avec un dispositif d'extraction des poussières**
- Suivez les directives nationales relatives au dépolluage pour les matériaux à travailler
- **Tenez vos mains à l'écart de la zone de coupe et de la lame; tenez la poignée cylindrique D<sup>2</sup>** avec l'autre main (si les deux mains tiennent la scie, elles ne pourront pas entrer en contact avec la lame)
- **Ne placez pas la main sous la pièce** (vous ne serez pas en mesure de voir si la lame est proche de votre main)
- **Ne tenez jamais la pièce à couper dans la main ou sur les jambes** (la pièce doit être soutenue correctement pour minimiser l'exposition du corps, le blocage de la lame ou la perte de contrôle)
- **N'utilisez pas de lame émoussée ou endommagée** (une lame tordue risque de se briser facilement ou de provoquer un effet de rebond)
- **Utilisez des gants de protection pour retirer la lame**



de l'outil (celle-ci risque d'être brûlante après une utilisation prolongée)

- Utilisez des lunettes de protection et des casques anti-bruit

#### BATTERIE

- **La batterie fournie est partiellement chargée** (pour garantir la capacité totale de la batterie, chargez-la intégralement dans le chargeur de batterie avant d'utiliser l'outil électrique pour la première fois).
- **Utilisez uniquement les batteries et les chargeurs suivants avec l'outil**
  - Batterie SKIL : BR1\*31\*\*\*\*
  - Chargeur SKIL : CR1\*31\*\*\*\*
- N'utilisez pas la batterie lorsque celle-ci est endommagée ; remplacez-la
- Ne démontez pas la batterie
- N'exposez jamais l'outil/la batterie à la pluie
- Plage de températures autorisées (outil/chargeur/batterie):
  - pendant la charge 4...40°C
  - pendant le fonctionnement -20...+50°C
  - pour le stockage -20...+50°C

#### EXPLICATION DES SYMBOLES SUR L'OUTIL/LA BATTERIE

- ③ Veuillez lire le mode d'emploi avant d'utiliser l'outil
- ④ La batterie explosera si elle est jetée au feu - ne la brûlez en aucun cas
- ⑤ Rangez l'outil/le chargeur/la batterie dans des endroits où la température n'excède pas 50°C
- ⑥ Ne jetez pas les outils électriques et les piles dans les ordures ménagères

#### UTILISATION

- **Chargement de la batterie**
  - ! lisez les avertissements de sécurité et les instructions fournies avec le chargeur
- Retirer/installer la batterie ②
- Indicateur de niveau de charge de la batterie ⑦
  - appuyez sur le bouton indicateur de niveau de charge de la batterie J pour afficher le niveau de charge actuel ⑦a
  - ! si le niveau le plus bas de l'indicateur de batterie se met à clignoter après appui sur le bouton J ⑦b, la batterie est vide
  - ! si 2 niveaux de l'indicateur de batterie se mettent à clignoter après appui sur le bouton J ⑦c, la batterie n'est pas dans la plage de température de fonctionnement autorisée
- Interrupteur combiné marche/arrêt et réglage de la vitesse avec bouton de verrouillage ⑧ ⑨
  - déverrouiller d'abord en appuyant sur le bouton F
  - mettez en marche votre outil en poussant la gâchette G
  - contrôle de la vitesse de zéro au maximum en appuyant plus ou moins sur la gâchette
  - arrêtez l'outil en relâchant la gâchette G
- Le bouton de verrouillage F peut être activé ⑧
  - s'il est activé, l'interrupteur marche/arrêt est verrouillé et la machine est protégée contre le risque d'être mise en marche accidentellement
- Lampes LED K ⑩
  - Les deux lampes LED s'allument automatiquement lors de l'activation de l'interrupteur G
  - ! lorsque les lampes LED commencent à clignoter,

#### la protection de la batterie est activée (voir ci-dessous)

- Protection de la batterie
  - L'outil est soudainement mis hors tension ou la mise sous tension est empêchée lorsque
    - la charge est trop élevée --> retirez la charge et redémarrez l'outil
    - la température de la batterie est hors de la plage de températures de fonctionnement autorisée de -20 à +50°C --> 2 niveaux de l'indicateur de niveau de charge de la batterie se mettent à clignoter lorsque vous appuyez sur le bouton J ⑦c ; attendez que la batterie soit revenue dans la plage de température de fonctionnement autorisée
    - la batterie est presque déchargée (pour empêcher qu'elle ne se décharge complètement) --> un niveau de batterie faible ou un niveau de batterie clignotant ub apparaît sur l'indicateur de charge de la batterie lorsque vous appuyez sur le bouton J ; chargez la batterie
    - ! ne continuez pas à appuyer sur l'interrupteur marche/arrêt après l'arrêt automatique de l'outil ; cela pourrait endommager la batterie
- Montage de la lame de scie ⑪
  - ! retirez la batterie de l'outil avant d'effectuer des réglages ou de changer d'accessoires
    - tournez le serre-lame C dans le même sens que la flèche sur l'outil et maintenez-le dans cette position
    - insérez la lame (les dents vers le bas ou vers le haut) jusqu'au bout
    - relâchez le serre-lame C
    - enfoncez la lame et essayez de la retirer pour vous assurer qu'elle est bien en place
- Retrait de la lame de scie ⑪
  - ! retirez la batterie de l'outil avant d'effectuer des réglages ou de changer d'accessoires
    - tournez le serre-lame C dans le même sens que la flèche sur l'outil et maintenez-le dans cette position
    - retirez la lame
    - relâchez le serre-lame C
- Utilisation de l'outil
  - ! fixez solidement la pièce à scier
    - tracez la ligne de découpe sur la pièce
    - montez la batterie sur l'outil
    - tenez l'outil en plaçant une main sur la poignée H et l'autre sur la poignée cylindrique isolée D
    - mettez en marche l'outil
    - guidez l'outil le long de la ligne de découpe tracée
    - maintenez fermement la semelle pivotante B contre la pièce pour réduire l'effet de recul et les vibrations
- Tenue et guidage de l'outil
  - ! while working, always hold the tool at the grey-coloured grip area(s) ⑫
    - veillez à ce que les fentes de ventilation E soient dégagées
    - ne pas appuyez trop fortement sur l'outil; laissez l'outil travailler pour vous
  - ! assurez-vous que la lame traverse complètement la pièce à scier ⑬
- Faire pivoter la semelle ⑭
  - enfoncez le bouton de verrouillage F sur la position de verrouillage, puis retirez la batterie de l'outil.
  - tenez fermement la scie puis faites pivoter la semelle

B à l'angle désiré, en prenant soin d'éviter tout contact avec la lame.

- réinstallez la batterie et préparez-vous à couper

## CONSEILS D'UTILISATION

- Coupe plongeante <sup>(15)</sup>  
Il est possible d'effectuer un sciage en plongée sur du bois et tout matériau tendre sans percer un trou préalablement
  - utilisez une lame épaisse**! retirez la batterie de l'outil avant d'effectuer des réglages ou de changer d'accessoires**
  - tracez la ligne de découpe sur la pièce à travailler
  - inclinez l'outil de sorte que la lame ne soit pas au contact de la pièce
  - mettez en marche l'outil et engagez prudemment la lame en mouvement dans la pièce
  - lorsque la lame a pénétré dans la pièce, continuez de scier le long du tracé de coupe**! n'effectuez en aucun cas des coupes plongeantes dans du métal**
- Utilisez les lames de scie appropriées <sup>(16)</sup>
- Quand vous coupez des métaux, lubrifiez régulièrement la lame de scie de lubrifiant
- Couper sans éclats
  - couvrez la ligne de coupe des plusieurs couches d'un large ruban adhésif avant d'effectuer la coupe
  - toujours inversez la partie visible de la pièce à travailler
- Pour plus d'informations, voir [www.skil.com](http://www.skil.com)

## ENTRETIEN / SERVICE APRES-VENTE

- Cet outil n'est pas conçu pour un usage professionnel
- Maintenez toujours l'outil propre (surtout les fentes de ventilation E <sup>(2)</sup>)  
**! retirez la batterie de l'outil avant de procéder au nettoyage**
- Si, malgré tous les soins apportés à la fabrication et au contrôle de l'outil, celui-ci devait avoir un défaut, la réparation ne doit être confiée qu'à une station de service après-vente agréée pour outillage SKIL
  - retournez l'outil non démonté avec votre preuve d'achat auprès du revendeur ou du service après-vente SKIL le plus proche (les adresses ainsi que la vue éclatée de l'outil figurent sur [www.skil.com](http://www.skil.com))
- Veuillez noter que tout dégât causé par une surcharge ou une mauvaise utilisation de l'outil ne sera pas couvert par la garantie (pour connaître les conditions de la garantie SKIL, surfez sur [www.skil.com](http://www.skil.com) ou adressez-vous à votre revendeur)

## ENVIRONNEMENT

- Ne jetez pas les outils électriques, les piles, les accessoires et l'emballage dans les ordures ménagères (pour les pays européens uniquement)
  - conformément à la directive européenne 2012/19/EG relative aux déchets d'équipements électriques ou électroniques, et à sa transposition dans la législation nationale, les outils électriques usés doivent être collectés séparément et faire l'objet d'un recyclage respectueux de l'environnement
  - le symbole <sup>(17)</sup> vous le rappellera au moment de la mise au rebut de l'outil

**! avant d'envoyer les batteries au recyclage, pour éviter un éventuel court-circuit, il convient de revêtir les bornes d'un épais ruban adhésif isolant**



Points de collecte sur [www.quefairemesdechets.fr](http://www.quefairemesdechets.fr)

## BRUIT / VIBRATION

- Mesurés selon EN62841, le niveau de pression sonore de cet outil est de **87 dB(A)**, le niveau de puissance acoustique est de **98 dB(A)** (incertitude  $K = 3$  dB) et la vibration \* (somme vectorielle triax ; incertitude  $K = 1,5$  m/s<sup>2</sup>)
  - \* sciage de planches **10,58** m/s<sup>2</sup>
  - \* sciage de poutres en bois **8,46** m/s<sup>2</sup>
- Le niveau de vibrations émises a été mesuré conformément à l'essai normalisé de la norme EN 62841; il peut être utilisé pour comparer plusieurs outils et pour réaliser une évaluation préliminaire de l'exposition aux vibrations lors de l'utilisation de l'outil pour les applications mentionnées
  - l'utilisation de l'outil dans d'autres applications, ou avec des accessoires différents ou mal entretenus, peut considérablement **augmenter** le niveau d'exposition
  - la mise hors tension de l'outil et sa non-utilisation pendant qu'il est allumé peuvent considérablement réduire le niveau d'exposition**! protégez-vous contre les effets des vibrations par un entretien correct de l'outil et de ses accessoires, en gardant vos mains chaudes et en organisant vos horaires de travail**

D

## Bürstenlose Akku-Säbelsäge

3475

## EINLEITUNG

- Dieses Werkzeug ist zum Sägen von Holz, Kunststoff, Metall und Baumaterialien sowie zum Beschneiden von Bäumen und Sträuchern bestimmt.
- Für den gewerblichen Einsatz ist das Gerät nicht geeignet.
- Lesen Sie diese Bedienungsanleitung und heben Sie sie auf. <sup>(3)</sup>

## TECHNISCHE DATEN <sup>(1)</sup>

## WERKZEUGKOMPONENTEN <sup>(2)</sup>

- A Sägeblatt
- B Schwenkkopf
- C Sägeblattklammer
- D Trommelgriff
- E Lüftungsschlitze
- F Verriegelungsschalter
- G Schalter zum Ein-Aus-Schalten

und zur Drehzahlregelung

H Griff

J Taster für Ladestandsanzeige

K Zwei LED-Leuchten

## SICHERHEIT

### ALLGEMEINE SICHERHEITSHINWEISE ZU ELEKTROWERKZEUGEN

**⚠️ WARNUNG** Beachten Sie alle Warnhinweise, Anweisungen, Abbildungen und technischen Daten, die diesem Elektrowerkzeug beigefügt sind. Die Nichtbeachtung der unten aufgeführten Anweisungen kann zu Stromschlägen, Bränden und/oder schweren Verletzungen führen.

**Bewahren Sie alle Warn- und Bedienhinweise für Nachschlagezwecke auf.**

Unter den Begriff „Elektrowerkzeug“ in den Warnhinweisen fallen netzbetriebene (d. h. kabelgebundene) oder akkubetriebene (d.h. kabellose) Elektrowerkzeuge.

#### 1) SICHERHEIT IM ARBEITSBEREICH

- a) Halten Sie den Arbeitsbereich stets sauber und gut beleuchtet. Unaufgeräumte oder dunkle Bereiche können Unfälle provozieren.
- b) Verwenden Sie Elektrowerkzeuge nicht in explosionsgefährdeten Umgebungen wie z. B. in Gegenwart von entzündlichen Flüssigkeiten, Gasen oder Staub. Elektrowerkzeuge erzeugen Funken, die Staub oder Dämpfe entzünden können.
- c) Halten Sie Schaulustige und Kinder fern, während Sie das Elektrowerkzeug einsetzen. Ablenkungen können dazu führen, dass Sie die Kontrolle verlieren.

#### 2) ELEKTRISCHE SICHERHEIT

- a) Die Netzstecker der Elektrowerkzeuge müssen in die Steckdosen passen. Der Netzstecker darf unter keinen Umständen modifiziert werden. Verwenden Sie keine Adapterstecker an geerdeten Elektrowerkzeugen. Nicht modifizierte Stecker und passende Steckdosen reduzieren die Stromschlaggefahr.
  - b) Vermeiden Sie den Körperkontakt zu geerdeten Flächen wie zum Beispiel Rohrleitungen, Heizkörpern, Herden und Kühlschränken. Es besteht erhöhte Stromschlaggefahr, wenn Ihr Körper geerdet ist.
  - c) Schützen Sie Elektrowerkzeuge vor Regen oder feuchten Bedingungen. Wenn Wasser in das Elektrowerkzeug eindringt, besteht erhöhte Stromschlaggefahr.
  - d) Das Kabel darf nicht zweckentfremdet werden. Das Netzkabel darf nicht zum Tragen, Ziehen oder Herausziehen des Elektrowerkzeugs aus der Steckdose verwendet werden. Das Netzkabel muss vor Hitze, Öl, scharfen Kanten oder beweglichen Teilen ferngehalten werden. Durch beschädigte oder verknotete Kabel besteht erhöhte Stromschlaggefahr.
  - e) Wenn Sie ein Elektrowerkzeug im Freien benutzen, verwenden Sie ein Verlängerungskabel, das für den Gebrauch im Freien geeignet ist. Die Stromschlaggefahr verringert sich bei Gebrauch eines Netzkabels, das für den Einsatz im Freien geeignet ist.
- f) Wenn der Gebrauch eines Elektrowerkzeuges an einem feuchten Ort unvermeidbar ist, benutzen Sie eine durch eine Fehlerstromschutzeinrichtung (FI-Schalter) geschützte Stromquelle. Die Verwendung einer Fehlerstromschutzeinrichtung reduziert die Stromschlaggefahr.
- #### 3) PERSONENSICHERHEIT
- a) Seien Sie wachsam, geben Sie darauf Acht, was Sie tun, und benutzen Sie Ihren gesunden Menschenverstand, wenn Sie ein Elektrowerkzeug verwenden. Betreiben Sie das Gerät nicht, wenn Sie müde oder unter dem Einfluss von Drogen, Alkohol oder Medikamenten stehen. Ein Moment der Unachtsamkeit kann beim Gebrauch eines Elektrowerkzeugs zu ernsthaften Verletzungen führen.
  - b) Tragen Sie eine persönliche Schutzausrüstung. Tragen Sie immer einen Augenschutz. Durch eine für die jeweiligen Bedingungen geeignete Schutzausrüstung wie etwa eine Staubschutzmaske, rutschfeste Schuhe, Helm oder Gehörschutz lässt sich die Verletzungsgefahr verringern.
  - c) Ungewollten Anlauf verhindern. Vor dem Anschließen an eine Steckdose und/oder einen Akku und vor dem Aufnehmen oder Transportieren des Geräts immer kontrollieren, ob der Hauptschalter in ausgeschalteter Position ist. Unfälle sind vorprogrammiert, wenn Sie Elektrowerkzeuge mit einem Finger am Netzschalter tragen oder Elektrowerkzeuge mit eingeschaltetem Netzschalter an eine Steckdose anschließen.
  - d) Entfernen Sie alle Einstellschlüssel oder Schraubenschlüssel, bevor Sie das Elektrowerkzeug einschalten. Ein Schraubenschlüssel oder ein Schlüssel, der noch an einem beweglichen Teil des Elektrowerkzeuges befestigt ist, kann Verletzungen hervorrufen.
  - e) Nicht überstrecken. Achten Sie stets auf einen festen Stand und halten Sie das Gleichgewicht. Dies ermöglicht in unerwarteten Situationen eine bessere Kontrolle über das Elektrowerkzeug.
  - f) Tragen Sie angemessene Kleidung. Tragen Sie keine weite Kleidung oder Schmuck. Halten Sie Ihr Haar und Ihre Kleidung von den beweglichen Teilen fern. Weite Kleidung, Schmuck oder langes Haar können sich in den beweglichen Teilen verfangen.
  - g) Wenn Komponenten zum Anschluss an eine Absauganlage und an Auffangvorrichtungen mitgeliefert werden, achten Sie darauf, dass diese ordnungsgemäß befestigt und benutzt werden. Die Verwendung einer Staubauffangvorrichtung kann Gefahren durch Staub reduzieren.
  - h) Lassen Sie sich nicht durch die aufgrund häufiger Benutzung entstandene Vertrautheit mit Werkzeugen dazu verleiten, unachtsam zu werden und die für Werkzeuge geltenden Sicherheitsgrundsätze zu ignorieren. Eine fahrlässige Handlung kann bereits im Bruchteil einer Sekunde zu schweren Verletzungen führen.
- #### 4) GEBRAUCH UND PFLEGE DES ELEKTROWERKZEUGS
- a) Üben Sie keinen übermäßigen Druck auf das Elektrowerkzeug aus. Verwenden Sie ein geeignetes Elektrowerkzeug für die jeweiligen Arbeiten. Durch



das passende Elektrowerkzeug lassen sich die Arbeiten besser und sicherer in dem jeweils vorgesehenen Tempo erledigen.

- b) **Verwenden Sie das Elektrowerkzeug nicht, wenn es sich mit dem Schalter weder ein- noch ausschalten lässt.** Ein Elektrowerkzeug, das sich über den Schalter nicht betätigen lässt, ist gefährlich und muss repariert werden.
- c) **Ziehen Sie den Netzstecker aus der Steckdose bzw. nehmen Sie den Akku vom Elektrowerkzeug ab, sofern dieser entfernbar ist, bevor Sie Einstellungen vornehmen, das Zubehör wechseln oder das Elektrowerkzeug verstauen.** Solche vorsorglichen Sicherheitsmaßnahmen verringern die Gefahr, dass sich das Elektrowerkzeug unbeabsichtigt einschaltet.
- d) **Bewahren Sie nicht benutzte Elektrowerkzeuge außerhalb der Reichweite von Kindern auf und verbieten Sie Personen die Gerätebenutzung, die das Elektrowerkzeug oder diese Anweisungen nicht kennen.** In den Händen nicht eingewiesener Benutzer stellen Elektrowerkzeuge eine große Gefahr dar.
- e) **Warten Sie Elektrowerkzeuge und Zubehörteile. Achten Sie auf falsch ausgerichtete oder fest sitzende bewegliche Teile, Bruchstellen und sonstige Umstände, die die Funktion des Elektrowerkzeuges beeinträchtigen können. Lassen Sie beschädigte Elektrowerkzeuge reparieren, bevor Sie sie wieder einsetzen.** Viele Unfälle entstehen durch schlecht gewartete Elektrowerkzeuge.
- f) **Halten Sie Schneidwerkzeuge scharf und sauber.** Sachgemäß gewartete Schneidwerkzeuge mit scharfen Schneiden neigen weniger zum Festfahren und sind leichter zu kontrollieren.
- g) **Benutzen Sie das Elektrowerkzeug, Zubehör, Werkzeugeinsätze usw. gemäß diesen Anweisungen und berücksichtigen Sie dabei die Arbeitsbedingungen und die auszuführenden Arbeiten.** Die Verwendung des Elektrowerkzeugs für Aufgaben, die von seinem bestimmungsgemäßen Zweck abweichen, können zu gefährlichen Situationen führen.
- h) **Halten Sie die Griffe und Griffflächen trocken, sauber und frei von Öl und Fett.** Rutschige Griffe und Griffflächen beeinträchtigen die sichere Handhabung des Werkzeugs und führen in unerwarteten Situationen zum Verlust der Kontrolle über das Werkzeug.
- 5) **BENUTZUNG UND PFLEGE VON AKKUGERÄTEN**
  - a) **Laden Sie den Akku nur mit dem vom Hersteller vorgegebenen Ladegerät auf.** Ein Ladegerät, das für einen bestimmten Akkutyp geeignet ist, kann bei der Benutzung eines anderen Akkus zu einer Brandgefahr werden.
  - b) **Benutzen Sie für die Elektrowerkzeuge nur die jeweils zugehörigen Akkus.** Bei Verwendung anderer Akkus besteht Verletzungs- und Brandgefahr.
  - c) **Wenn der Akku nicht benutzt wird, halten Sie ihn von anderen metallischen Gegenständen fern, wie etwa Büroklammern, Münzen, Schlüssel, Nägel, Schrauben oder anderen kleinen Metallgegenständen, die eine Verbindung zwischen den Polen herstellen können.** Das Kurzschließen der Pole kann Verbrennungen oder Brände verursachen.
  - d) **Bei unsachgemäßer Anwendung kann Flüssigkeit aus dem Akku austreten; Kontakt vermeiden. Falls**

**Sie versehentlich mit Akkusäure in Berührung gekommen sind, spülen Sie die Stelle mit Wasser. Falls Akkusäure in die Augen geraten ist, suchen Sie zudem einen Arzt auf.** Aus dem Akku austretende Flüssigkeit kann Reizungen oder Verätzungen verursachen.

- e) **Benutzen Sie keinen Akku oder ein Werkzeug, das beschädigt oder umgebaut wurde.** Beschädigte oder umgebaute Akkus können sich unvorhergesehen verhalten, wodurch möglicherweise ein Brand, eine Explosion oder Verletzungen verursacht werden.
- f) **Akkus oder Werkzeuge vor Feuer oder extremen Temperaturen schützen.** Feuer oder Temperaturen über 130 °C können eine Explosion verursachen.
- g) **Befolgen Sie alle Ladeanweisungen und laden Sie den Akku oder das Werkzeug nicht außerhalb des Temperaturbereichs auf, der in der Anleitung angegeben ist.** Das unsachgemäße Aufladen oder Laden außerhalb des angegebenen Temperaturbereichs kann den Akku beschädigen und die Brandgefahr erhöhen.
- 6) **REPARATUREN**
  - a) **Lassen Sie Ihr Elektrowerkzeug von einer qualifizierten Fachkraft und nur unter Verwendung baugleicher Ersatzteile reparieren.** Nur so kann für die Sicherheit des Elektrowerkzeugs gesorgt werden.
  - b) **Reparieren Sie unter keinen Umständen beschädigte Akkus.** Akkus sollten ausschließlich vom Hersteller selbst oder einer autorisierten Reparaturwerkstatt repariert werden.

#### SICHERHEITSHINWEISE FÜR AKKU-SÄBELSÄGEN

- **Halten Sie das Elektrowerkzeug an den isolierten Griffflächen fest, wenn Sie Arbeiten ausführen, bei denen das Sägeblatt verborgene Stromleitungen treffen kann** (der Kontakt mit einer spannungsführenden Leitung kann auch Metallteile des Elektrowerkzeuges unter Spannung setzen und zu einem elektrischen Schlag führen)
- **Verwenden Sie Spannvorrichtungen oder andere praktische Vorrichtungen, um das Werkstück an einer stabilen Plattform zu fixieren und abzustützen** (wenn das Werkstück in der Hand oder gegen den Körper gehalten wird, ist es nicht stabil gelagert und es besteht die Gefahr eines Kontrollverlusts)

#### ZUBEHÖR

- SKIL kann nur dann die einwandfreie Funktion des Werkzeuges zusichern, wenn Original-Zubehör verwendet wird
- Nur Zubehör verwenden, dessen zulässige Drehzahl mindestens so hoch ist wie die höchste Leerlaufdrehzahl des Werkzeuges

#### VOR DER ANWENDUNG

- Beschädigungen durch Schrauben, Nägel und ähnliches an Ihrem Werkstück vermeiden; diese vor Arbeitsbeginn entfernen
- Verwenden Sie geeignete Suchgeräte, um unter Putz verlegte Leitungen aufzuspüren. Wenden Sie sich alternativ an einen Elektrofachbetrieb. Der Kontakt mit Elektroleitungen kann Brände und Stromschläge hervorrufen. Bei Beschädigung einer Gasleitung besteht Explosionsgefahr. **Durch das Anbohren einer Wasserleitung besteht die Gefahr einer**

## Sachbeschädigung oder Stromschlaggefahr PERSONENSICHERHEIT

- Das Werkzeug ist nur für Personen ab 16 Jahren geeignet
- **Bearbeiten Sie kein asbesthaltiges Material** (Asbest gilt als krebserregend)
- Der Staub von Materialien wie bleihaltiger Farbe, bestimmten Holzarten, Mineralien und Metallen kann gesundheitsschädlich sein (das Einatmen oder der Kontakt mit diesen Stäuben kann allergische Reaktionen und/oder Atemwegserkrankungen beim Benutzer oder bei Passanten auslösen); **tragen Sie eine Staubmaske und arbeiten Sie mit einer Staubabsaugung, sofern ein Anschluss dafür vorhanden ist**
- Bestimmte Stäube sind als krebserregend eingestuft (beispielsweise Eichen- und Buchenholzstaub), insbesondere in Verbindung mit Zusätzen für die Holzvorbehandlung. **Tragen Sie eine Staubmaske und arbeiten Sie mit einer Staubabsaugung, sofern anschließbar**
- Beachten Sie die für Ihr verwendetes Verbrauchsmaterial gültigen nationalen Staubschutzvorgaben
- **Die Hände vom Schnittbereich und Sägeblatt fernhalten; mit der anderen Hand den Trommelgriff D ② festhalten** (wenn die Säge mit beiden Händen festgehalten wird, besteht keine Schnittgefahr durch das Sägeblatt)
- **Nicht unter das Werkstück greifen** (der Abstand zwischen dem Sägeblatt und Ihrer Hand ist nicht einsehbar)
- **Das zu sägende Werkstück niemals mit den Händen oder Beinen festhalten** (es ist wichtig, das Werkstück richtig abzustützen, um den Körper nicht zu gefährden und ein Einklemmen des Sägeblatts oder einen Kontrollverlust zu minimieren)
- **Stumpfe oder beschädigte Sägeblätter nicht benutzen** (verbogene Sägeblätter können leicht abbrechen und Rückstöße verursachen)
- **Beim Herausnehmen des Sägeblatts aus dem Werkzeug Schutzhandschuhe tragen** (das Sägeblatt kann nach längerem Einsatz heiß sein)
- Schutzbrille und Gehörschutz tragen

## AKKU

- **Der mitgelieferte Akku ist nur teilgeladen.** Um die volle Kapazität des Akkus nutzen zu können, laden Sie den Akku im Ladegerät vollständig auf, bevor Sie das Elektrowerkzeug zum ersten Mal verwenden
- **Nur die mit diesem Werkzeug mitgelieferten Batterien und Ladegeräte verwenden**
  - SKIL-Akku: BR1\*31\*\*\*\*
  - SKIL-Ladegerät: CR1\*31\*\*\*\*
- Beschädigte Batterien nicht weiter verwenden, sondern ersetzen
- Die Batterie nicht auseinandernehmen
- Das Werkzeug/die Batterie niemals Regen aussetzen
- Erlaubte Umgebungstemperatur (Werkzeug/Ladegerät/Batterie):
  - beim Laden 4...40°C
  - im Betrieb -20...+50°C
  - bei Lagerung -20...+50°C

## ERKLÄRUNG DER SYMBOLE AUF DEM WERKZEUG/ AKKU

- ③ Die Bedienungsanleitung vor dem Gebrauch lesen
- ④ Batterien werden bei Kontakt mit Feuer explodieren, die Batterien daher niemals verbrennen

- ⑤ Bewahren Sie das Werkzeug/Ladegerät/Akku stets bei Raumtemperaturen unter 50°C auf
- ⑥ Elektrowerkzeuge und Akkus nicht in den Hausmüll werfen

## BEDIENUNG

- **Aufladen des Akkus**
  - ! **Lesen Sie die Sicherheitshinweise und Anweisungen, die Ladegerät beiliegen**
- Anbringen/Abnehmen des Akkus ②
- Ladestandsanzeige ⑦
  - Drücken Sie auf den Taster für die Ladestandsanzeige J, um den aktuellen Ladezustand des Akkus abzufragen ⑦a
  - ! **Wenn nach dem Drücken des Tasters für die Ladestandsanzeige J ⑦b der niedrigste Ladezustand in der Anzeige blinkt, ist der Akku leer**
  - ! **Wenn nach dem Drücken des Tasters J ⑦c 2 Ladebalken blinken, ist der Akku nicht im zulässigen Betriebstemperaturbereich**
- Kombiniertes Schalter für Ein- und Ausschalten und zur Geschwindigkeitsregelung mit Verriegelungsfunktion ⑧ ⑨
  - Durch Drücken des Schalters F zuerst entriegeln
  - Auslöser G betätigen, um das Werkzeug einzuschalten
  - durch mehr oder weniger Druck auf den Schalter kann die Geschwindigkeit stufenlos von Null bis zur maximalen Drehzahl geregelt werden
  - Zum Ausschalten den Schalter G loslassen
- Verriegelungsschalter F kann betätigt werden ⑧
  - wenn aktiviert, ist der Ein-/Ausschalter blockiert und die Maschine ist gegen unbeabsichtigtes Einschalten gesichert
- Zwei LED-Leuchten K ⑩
  - Die beiden LED-Leuchten schalten sich automatisch ein, wenn der Schalter G aktiviert wird
  - ! **Wenn die LED-Lampe zu blinken beginnt, ist der Akkuschutz aktiviert (siehe unten)**
- Akkuschutz
  - Das Gerät wird plötzlich ausgeschaltet oder kann nicht mehr eingeschaltet werden, wenn
    - **die Belastung zu stark ist** --> Gerät entlasten und neu starten
    - **die Akkutemperatur nicht im zulässigen Betriebstemperaturbereich von -20 bis +50° C liegt** --> Wenn nach dem Drücken des Tasters für die Ladestandsanzeige J ⑦c 2 Balken blinken, warten, bis sich der Akku wieder innerhalb des zulässigen Betriebstemperaturbereichs befindet
    - **der Akku fast leer ist (zum Schutz vor Tiefentladung)** --> Nach dem Drücken der Taste J wird ein niedriger Akkustand oder ein blinkender niedriger Akkustand ub von der Ladestandsanzeige gemeldet; Akku aufladen
  - ! **Wenn sich das Gerät automatisch abgeschaltet hat, nicht weiterhin den Ein-/Ausschalter drücken; der Akku kann dadurch beschädigt werden**
- Montieren des Sägeblatts ⑪
  - ! **Bevor Einstellungen vorgenommen oder Zubehörteile ausgetauscht werden, den Akku vom Werkzeug abnehmen**
  - die Sägeblattklemme C in die gleiche Richtung drehen wie der Pfeil am Werkzeug und in der Stellung

- festhalten
- Das Sägeblatt vollständig einführen (mit den Zähnen nach unten oder oben)
- Klemmschraube C loslassen
- das Sägeblatt hineindrücken und herausziehen, um zu prüfen, ob es korrekt arretiert ist
- Entfernen des Sägeblatts <sup>(11)</sup>
- ! **Bevor Einstellungen vorgenommen oder Zubehörteile ausgetauscht werden, den Akku vom Werkzeug abnehmen**
- die Sägeblattklemme C in die gleiche Richtung drehen wie der Pfeil am Werkzeug und in der Stellung festhalten
- das Sägeblatt herausziehen
- Klemmschraube C loslassen
- Bedienung des Werkzeuges
- ! **Das Werkstück fest einspannen**
- die Schnittlinie auf dem Werkstück anzeichnen
- Akku am Werkzeug anbringen
- Das Werkzeug mit einer Hand am Griff H und mit der anderen Hand am isolierten Trommelgriff D festhalten
- das Werkzeug einschalten
- das Werkzeug an der angezeichneten Schnittlinie entlangführen
- den Schwenkkopf B fest am Werkstück ansetzen, um Gegenkräfte und Schwingungen so gering wie möglich zu halten
- Halten und Führen des Werkzeuges
- ! **Das Werkzeug beim Arbeiten immer an den grauen Griffflächen festhalten** <sup>(12)</sup>
- Die Lüftungsschlitze E nicht abdecken
- nicht zu viel Druck auf das Werkzeug ausüben; lassen Sie das Werkzeug für Sie arbeiten
- ! **Das Sägeblatt muss während des gesamten Hubwegs über das Werkstück hinausragen** <sup>(13)</sup>
- Drehen des Schwenkkopfs <sup>(14)</sup>
- Stellen Sie den Verriegelungsschalter F auf verriegelte Position und nehmen Sie den Akku vom Gerät ab.
- Halten Sie die Säge fest und stellen Sie am Schwenkkopf B den gewünschten Winkel ein. Achten Sie darauf, den Kontakt mit dem Sägeblatt zu vermeiden.
- Den Akku wieder anbringen und die Sägearbeiten vorbereiten.

## ANWENDUNGSHINWEISE

- Tauchsägen <sup>(15)</sup>  
Einstichschnitte können in Holz und anderen weiteren Materialien angebracht werden, ohne dass ein Loch vorgebohrt werden muss
- ein dickes Sägeblatt verwenden
- ! **Bevor Einstellungen vorgenommen oder Zubehörteile ausgetauscht werden, den Akku vom Werkzeug abnehmen**
- die gewünschte Schnittlinie auf dem Werkstück anzeichnen
- das Werkzeug so neigen, dass das Sägeblatt das Werkstück nicht berührt
- das Werkzeug einschalten und vorsichtig das sich bewegende Sägeblatt in das Werkstück einführen
- nachdem das Sägeblatt in das Werkstück eingedrungen ist, weiter entlang der markierten Schnittlinie sägen

## ! Keine Einstichschnitte in Metallwerkstoffen vornehmen

- Die entsprechenden Sägeblätter verwenden <sup>(16)</sup>
- Beim Sägen von Metall Sägeblatt regelmäßig mit Öl ein fetten
- Splitterfreies Sägen
  - die Schnittlinie mit mehreren Schichten breiten Klebeband bedecken vor Arbeitsbeginn
  - die Oberfläche des Werkstücks grundsätzlich nach unten zeigend aufliegen
- Für weitere Informationen verweisen wir auf [www.skil.com](http://www.skil.com)

## WARTUNG / SERVICE

- Dieses Werkzeug eignet sich nicht für den professionellen Einsatz
- Halten Sie das Werkzeug immer sauber (insbesondere die Lüftungsschlitze E <sup>(2)</sup>)
- ! **Vor dem Reinigen den Akku vom Werkzeug abnehmen**
- Sollte das Elektrowerkzeug trotz sorgfältiger Herstellungs- und Prüfverfahren einmal ausfallen, ist die Reparatur von einer autorisierten Kundendienststelle für SKIL-Elektrowerkzeuge ausführen zu lassen
  - Schicken Sie das Werkzeug unzerlegt zusammen mit dem Kaufbeleg an den Fachhändler oder an die nächste SKIL-Vertragswerkstatt (die Anschriften sowie die Ersatzteilzeichnung des Werkzeuges finden Sie unter [www.skil.com](http://www.skil.com))
- Beachten Sie, dass ein falscher oder unsachgemäßer Gebrauch des Werkzeuges zum Erlöschen der Garantie führt (die SKIL-Garantiebedingungen finden Sie unter [www.skil.com](http://www.skil.com) oder fragen Sie Ihren Händler)

## UMWELT

- Elektrowerkzeuge, Akkus, Zubehör und Verpackungen nicht in den Hausmüll werfen (nur für EU-Länder)
  - Gemäß der europäischen Richtlinie 2012/19/EG über Elektro- und Elektronik-Altgeräte und ihrer Umsetzung in nationales Recht müssen nicht mehr gebrauchsfähige Elektrowerkzeuge getrennt gesammelt und einer umweltgerechten Wiederverwertung zugeführt werden
  - Hieran soll Sie das Symbol <sup>(6)</sup> erinnern
- ! **Vor dem Entsorgen des Akkus die Pole mit Isolierband zukleben, um einen Kurzschluss zu verhindern**

## GERÄUSCH / VIBRATION

- Laut Messung gemäß EN 62841 beträgt der Schalldruckpegel dieses Werkzeugs **87 dB(A)** und der Schalleistungspegel **98 dB(A)** (Unsicherheit K = 3 dB). Die Vibration beträgt \* (Triaxvektorsumme; Unsicherheit K = 1,5 m/s<sup>2</sup>)
  - \* Bretter sägen **10,58 m/s<sup>2</sup>**
  - \* Holzbalken sägen **8,46 m/s<sup>2</sup>**
- Die Vibrationsemissionsstufe wurde mit einem standardisierten Test gemäß EN 62841 gemessen. Sie kann verwendet werden, um ein Werkzeug mit einem anderen zu vergleichen und als vorläufige Beurteilung der Vibrationsexposition bei Verwendung des Werkzeuges für die angegebenen Anwendungszwecke

- Die Verwendung des Werkzeugs für andere Anwendungen oder mit anderem oder schlecht gewartetem Zubehör kann den Expositionswert erheblich **erhöhen**
  - Zeiten, zu denen das Werkzeug ausgeschaltet oder bei denen es in Betrieb ist aber nicht zum Einsatz kommt, können den Expositionswert erheblich verringern
- ! Schützen Sie sich vor den Auswirkungen der Vibration durch Wartung des Werkzeugs und des Zubehörs, halten Sie Ihre Hände warm und organisieren Sie Ihre Arbeitsweise**

NL

## Borstelloze snoerloze reciprozaag

3475

### INLEIDING

- Dit gereedschap is bedoeld voor het zagen van hout, kunststof, metaal en bouwmaterialen, maar ook voor het snoeien en bijzagen van bomen.
- Dit gereedschap is niet bedoeld voor professioneel gebruik.
- Lees en bewaar deze gebruiksaanwijzing. ③

### TECHNISCHE DATA ①

### GEREEDSCHAPELEMENTEN ②

- A Mes
- B Draaischoen
- C Zaagbladklem
- D Voorhandgreep
- E Ventilatieopeningen
- F Vergrendelknop
- G Schakelaar voor aan/uit en toerentalregeling
- H Handgreep
- J Accu niveau-indicator knop
- K Dubbele led-verlichting

### VEILIGHEID

#### ALGEMENE VEILIGHEIDSWAARSCHUWINGEN VOOR ELEKTRISCH GEREEDSCHAP

**⚠ WAARSCHUWING** Lees alle veiligheidswaarschuwingen, instructies, illustraties en specificaties die met dit elektrisch gereedschap zijn meegeleverd. Het niet opvolgen van alle onderstaande instructies kan leiden tot elektrische schokken en/of ernstig letsel.

**Bewaar alle waarschuwingen en instructies voor toekomstig gebruik.**

De term "elektrisch gereedschap" in de waarschuwingen verwijst naar uw op het voedingsnet aangedreven (met snoer) elektrisch gereedschap of accu aangedreven (snoerloos) elektrisch gereedschap.

#### 1) VEILIGHEID OP DE WERKPLAATS

- a) Houd uw werkplaats schoon en goed verlicht.

Rommelige of donkere ruimten kunnen ongevallen veroorzaken.

- b) **Gebruik geen elektrisch gereedschap in ruimten waar een explosieve atmosfeer kan ontstaan, bijvoorbeeld in de aanwezigheid van ontvlambare vloeistoffen, gassen of stof.** Elektrisch gereedschap creëert vonken, deze kunnen stof of dampen in brand steken.
  - c) **Houd kinderen en omstanders uit de buurt wanneer u een elektrisch gereedschap bedient.** Afleiding kan tot controleverlies leiden.
- #### 2) ELEKTRISCHE VEILIGHEID
- a) **De stekker van het elektrisch gereedschap dient met het stopcontact overeen te stemmen. Pas de stekker op geen enkele manier aan. Gebruik geen adapterstekker met geaard elektrisch gereedschap.** Niet aangepaste stekkers en overeenkomstige stopcontacten beperken het risico op elektrische schokken.
  - b) **Vermijd lichamelijk contact met geaarde oppervlakken, zoals leidingen, radiatoren, fornuizen en koelkasten.** Het risico op een elektrische schok is groter als uw lichaam geaard is.
  - c) **Stel elektrisch gereedschap niet bloot aan regen of vochtige omstandigheden.** Water dat elektrisch gereedschap binnendringt, vergroot het risico op een elektrische schok.
  - d) **Gebruik de kabel niet op een verkeerde manier. Gebruik de kabel nooit om het elektrisch gereedschap te dragen, te trekken of om de stekker uit het stopcontact te halen. Houd de kabel uit de buurt van hitte, olie, scherpe randen of bewegende onderdelen.** Beschadigde of verstrikte kabels vergroten het risico op een elektrische schok.
  - e) **Wanneer u een elektrisch gereedschap buitenshuis bedient, gebruik dan een verlengkabel die geschikt is voor gebruik buitenshuis.** Het gebruik van een kabel die voor gebruik buitenshuis geschikt is, verkleint het risico op een elektrische schok.
  - f) **Als het gebruik van elektrisch gereedschap in een vochtige ruimte noodzakelijk is, gebruik een differentieelschakelaar.** Het gebruik van een differentieelschakelaar verkleint het risico op elektrische schokken.
- #### 3) PERSOONLIJKE VEILIGHEID
- a) **Wees waakzaam, let op wat u doet en gebruik uw gezond verstand wanneer u elektrisch gereedschap gebruikt. Gebruik het elektrisch gereedschap niet als u moe bent of onder de invloed bent van drugs, alcohol of medicijnen.** Een moment van onoplettendheid tijdens het gebruik van elektrische gereedschappen kan leiden tot ernstig persoonlijk letsel.
  - b) **Gebruik persoonlijke beschermingsmiddelen. Draag altijd oogbescherming.** Beschermingsmiddelen zoals een stofmasker, slipvaste werkschoenen, veiligheidshelm of gehoorbescherming afhankelijk van de aard en het gebruik van het gereedschap verkleint het risico op persoonlijk letsel.
  - c) **Vermijd dat het gereedschap per ongeluk wordt gestart. Zorg dat de schakelaar op de stand 'Uit' is ingesteld voordat u het gereedschap op een stroombron en/of accupack aansluit, vastneemt of draagt.** Het dragen van elektrisch gereedschap met uw

vinger op de schakelaar of gereedschap ingeschakeld op de stroomvoorziening aansluiten kan ongevallen veroorzaken.

- d) **Verwijder instelsleutels of moersleutels voordat u het elektrisch gereedschap inschakelt.** Een instelsleutel of moersleutel in een draaiend deel van het elektrisch gereedschap achterlaten kan leiden tot persoonlijk letsel.
  - e) **Reik niet te ver. Zorg er altijd voor dat u stevig en stabiel staat.** Dit zorgt ervoor dat u het elektrisch gereedschap in onverwachte situaties beter onder controle kunt houden.
  - f) **Draag passende kleding. Draag geen los hangende kleding of sieraden. Houd uw haar en kleding uit de buurt van bewegende onderdelen.** Los hangende kleding, sieraden en lang haar kunnen in bewegende onderdelen verstrikt raken.
  - g) **Wanneer de montage van stofafzuiging- of stofvangvoorzieningen mogelijk is, dient u ervoor te zorgen dat deze juist aangesloten en gebruikt worden.** Het gebruik van een stofopvang kan helpen om het risico in verband met stof te verlagen.
  - h) **Word niet zelfingenomen door de ervaring die u heeft opgedaan door frequent gebruik, waardoor u dan de veiligheids waarschuwingen negeert.** Een achteloze actie kan binnen een fractie van een seconde ernstig letsel veroorzaken.
- #### 4) ELEKTRISCH GEREEDSCHAP GEBRUIKEN EN ONDERHOUDEN
- a) **Overbelast het elektrisch gereedschap niet. Gebruik het juiste elektrisch gereedschap voor uw toepassing.** Met het juiste elektrisch gereedschap werkt u beter en veiliger binnen het aangegeven vermogensbereik.
  - b) **Gebruik het elektrisch gereedschap niet als de schakelaar niet kan worden in- en uitgeschakeld.** Elektrisch gereedschap dat niet kan worden in- of uitgeschakeld is gevaarlijk en moet worden gerepareerd.
  - c) **Trek de stekker uit de stroomvoorziening en/of verwijder het accupack, indien deze kan worden verwijderd, uit het elektrisch gereedschap voordat u het instelt, accessoires vervangt of het gereedschap opbergt.** Deze preventieve voorzorgsmaatregelen beperken het risico op onbedoeld starten van het elektrisch gereedschap.
  - d) **Berg niet-gebruikt elektrisch gereedschap op buiten het bereik van kinderen en zorg ervoor dat personen die niet vertrouwd zijn met het gereedschap of die deze instructies niet hebben gelezen het gereedschap niet gebruiken.** Elektrisch gereedschap is gevaarlijk wanneer het door onervaren personen wordt gebruikt.
  - e) **Onderhoud het elektrisch gereedschap en de accessoires. Controleer of de bewegende onderdelen correct functioneren en niet vastklemsen en of de onderdelen zodanig gebroken of beschadigd zijn dat de werking van het elektrisch gereedschap nadelig wordt beïnvloedt.** Laat een beschadigd elektrisch gereedschap eerst repareren voordat u het weer in gebruik neemt. Vele ongevallen zijn het gevolg van slecht onderhouden elektrisch gereedschap.
  - f) **Houd de snij-onderdelen scherp en schoon.**

Zorgvuldig onderhouden snij-gereedschap met scherpe snijranden klemt minder snel vast en is gemakkelijker te beheersen.

- g) **Gebruik het elektrisch gereedschap, accessoires, inzetgereedschap, etc. in overeenstemming met deze instructies en houd hierbij rekening met de werkomstandigheden en de uit te voeren werkzaamheden.** Het gebruik van elektrisch gereedschap voor andere dan de beoogde toepassingen kan tot gevaarlijke situaties leiden.
  - h) **Houd de handgrepen en greepvlakken droog, schoon en vrij van olie en smeervet.** Glibberige handgrepen en greepvlakken maken een veilige omgang en de controle over het elektrisch gereedschap in onverwachte situaties onmogelijk.
- #### 5) ACCU-GEREEDSCHAP GEBRUIKEN EN ONDERHOUDEN
- a) **Opladen alleen met de lader die door de fabrikant is aangegeven.** Een lader die geschikt is voor een bepaald type accupack kan tot brandgevaar leiden wanneer hij gebruikt wordt met een ander accupack.
  - b) **Gebruik elektrisch gereedschap alleen met het specifiek aangegeven accupack.** Het gebruik van andere accupacks kan risico op letsel en brandgevaar veroorzaken.
  - c) **Wanneer u de accu niet gebruikt, houd het uit de buurt van andere metalen voorwerpen zoals paperclips, muntstukken, sleutels, nagels, schroeven of andere kleine metalen voorwerpen die de twee aansluitklemmen kunnen verbinden.** Het kortsluiten van de aansluitklemmen kan brandwonden of brand veroorzaken.
  - d) **Bij verkeerd gebruik kan er vloeistof uit de accu worden gespoten; vermijd elk contact. Als aanraking met de vloeistof toevallig plaatsvindt, spoel het dan af met water. Als de vloeistof in contact komt met de ogen, dient u onmiddellijk een arts te consulteren.** Vloeistof dat uit de accu wordt gespoten kan irritatie of brandwonden veroorzaken.
  - e) **Gebruik geen accupack of gereedschap dat is beschadigd of aangepast.** Beschadigde of aangepaste accu's kunnen resulteren in onvoorziën gedrag zoals brand, explosie of het risico op letsel.
  - f) **Stel een accupack of gereedschap niet bloot aan vuur of excessieve temperaturen.** Blootstelling aan vuur of temperaturen boven 130°C kunnen leiden tot een explosie.
  - g) **Neem alle laad instructies in acht en laad het accupack of het gereedschap niet buiten het gespecificeerde temperatuurbereik in de handleiding op.** Het onjuist laden of bij een temperatuur buiten het temperatuurbereik kan de accu beschadigen en er bestaat een gevaar op brand.
- #### 6) SERVICE
- a) **Laat uw elektrisch gereedschap repareren door een gekwalificeerde reparateur en alleen met identieke reserve-onderdelen.** Dit waarborgt de veiligheid van het elektrisch gereedschap.
  - b) **Repareer beschadigde accupacks nooit.** Onderhoud van accupacks mag alleen worden uitgevoerd door de fabrikant of een geautoriseerde dienstverlener.

#### VEILIGHEIDSLINSTRUCTIES VOOR ACCU



## RECIPROZAGEN

- **Houd het elektrische gereedschap aan de geïsoleerde greepvlakken vast als u werkzaamheden uitvoert waarbij het inzetgereedschap verborgen stroomleidingen kan raken** (contact met een onder spanning staande leiding kan ook metalen delen van het elektrische gereedschap onder spanning zetten en tot een elektrische schok leiden)
- **Gebruik klemmen of pas een andere handige manier toe om het werkstuk vast te zetten en te ondersteunen op een stabiel platform** (bij het in de hand of tegen het lichaam houden van het werkstuk, kan het gereedschap niet goed onder controle worden gehouden)

## ACCESSOIRES

- SKIL kan alleen een correcte werking van het gereedschap garanderen, indien originele accessoires worden gebruikt
- Gebruik alleen accessoires met een toegestaan toerental, dat minstens even hoog is als het hoogste onbelaste toerental van het gereedschap

## VOÓR GEBRUIK

- Voorkom schade, die kan ontstaan door schroeven, spijkers en andere voorwerpen in uw werkstuk; verwijder deze, voordat u aan een karwei begint
- **Gebruik een geschikt detectieapparaat om verborgen stroom-, gas- of waterleidingen op te sporen of raadpleeg het plaatselijke energie- of waterleidingbedrijf** (contact met elektrische leidingen kan tot brand of een elektrische schok leiden; beschadiging van een gasleiding kan tot een explosie leiden; breuk van een waterleiding veroorzaakt materiële schade en kan tot een elektrische schok leiden)

## PERSOONLIJKE VEILIGHEID

- Dit gereedschap mag niet worden gebruikt door personen onder de 16 jaar
- **Bewerk geen asbesthoudend materiaal** (asbest geldt als kankerverwekkend)
- Stof van materiaal zoals loodhoudende verf, sommige houtsoorten, mineralen en metaal kunnen schadelijk zijn (contact met of inademing van de stof kan allergische reacties en/of ademhalingsziekten bij gebruiker of omstanders veroorzaken); **draag een stofmasker en werk met een stofvangvoorziening als die kan worden aangesloten**
- Bepaalde soorten stof zijn geclassificeerd als kankerverwekkend (zoals stof van eiken en beuken), met name in combinatie met toevoegingsmiddelen voor houtverzorging; **draag een stofmasker en werk met een stofvangvoorziening als die kan worden aangesloten**
- Neem voor de door u te bewerken materialen de nationale voorschriften aangaande stofvang in acht
- **Blijf met uw handen uit de buurt van het werkgebied van de zaag en het zaagblad; houd met uw tweede hand de voorhandgreep D ② vast** (als beide handen de zaag vasthouden, kunnen ze niet met het zaagblad in contact komen)
- **Reik niet naar iets onder het werkstuk** (het is dan niet te zien hoe dicht het zaagblad zich bij uw hand bevindt)
- **Houd nooit een te zagen werkstuk in uw handen of op uw been** (het is belangrijk om het werk goed te ondersteunen om lichaamsverwondingen, vastklemmen van het zaagblad, of verlies van controle over de zaag tot

een minimum te beperken)

- **Gebruik geen botte of beschadigde zaagbladen** (gebogen zaagbladen kunnen makkelijk breken of een terugslag veroorzaken)
- **Gebruik beschermende handschoenen als u het zaagblad uit het gereedschap haalt** (het zaagblad kan heet zijn na langdurig gebruik)
- Draag een veiligheidsbril en gehoorbescherming

## BATTERIJEN

- **De meegeleverde accu is deels opgeladen** (om een volledige capaciteit van de accu te garanderen, moet u de accu volledig opladen in de oplader voordat u uw elektrische gereedschap voor de eerste keer gebruikt)
- **Gebruik uitsluitend de volgende batterijen en opladers voor deze machine**
  - SKIL-batterij: BR1\*31\*\*\*\*
  - SKIL-oplader: CR1\*31\*\*\*\*
- Gebruik de batterij niet, wanneer deze beschadigd is; vervang deze
- Haal de batterij niet uit elkaar
- Stel machine/batterij niet bloot aan regen
- Toegestane omgevingstemperatuur (machine/oplader/batterij):
  - bij het laden 4...40°C
  - bij het gebruik -20...+50°C
  - bij opslag -20...+50°C

## UITLEG VAN SYMBOLEN OP GEREEDSCHAP/BATTERIJ

- ③ Lees de gebruiksaanwijzing vóór gebruik
- ④ Accu's exploderen als zij in vuur worden gegooid, dus verbrand de accu in geen geval
- ⑤ Bewaar het gereedschap/oplader/batterij op een plaats, waar de temperatuur niet hoger dan 50°C kan worden
- ⑥ Geef elektrisch gereedschap en batterijen niet met het huisvuil mee

## GEBRUIK

- **Opladen batterij**
  - ! lees de veiligheidswaarschuwingen en -voorschriften die bij de oplader worden geleverd
- Verwijderen/installeren van de batterij ②
- Batterijniveau-indicator ⑦
  - druk op de accu niveau-indicator knop J om het huidige batterijniveau aan te geven ⑦a
  - ! Als de laagste accuniveau-indicator begint te knippen na het drukken van knop J ⑦b, is de accu leeg
  - ! Als 2 niveaus van de batterij-indicator beginnen te knippen na het drukken van knop J ⑦c, bevindt de batterij zich niet binnen het toegestane temperatuurbereik voor gebruik
- Gecombineerde schakelaar voor aan/uit en snelheidsregeling met vergrendelknop ⑧ ⑨
  - eerst ontgrendelen door op knop F te drukken
  - zet het gereedschap aan door schakelaar G te drukken
  - regel het toerental traploos van 0 tot maximum door de schakelaar dieper in te drukken
  - uitschakelen door de schakelaar G los te laten
- Vergrendelknop F kan worden geactiveerd ⑧
  - indien geactiveerd, is de aan/uit-schakelaar geblokkeerd en is de machine beveiligd tegen onbedoeld inschakelen
- Dubbele led-verlichting K ⑩
  - Dubbele led-verlichting gaat automatisch branden bij het

activeren van schakelaar G

**! als de led-verlichting gaat knipperen is de accubescherming geactiveerd (zie hieronder)**

- Accubescherming  
De machine wordt plotseling uitgeschakeld of kan niet meer worden ingeschakeld, wanneer
  - **de belasting te hoog is** -> verwijder de belasting en start opnieuw
  - **de temperatuur van de accu ligt niet binnen het toegestane bedrijfstemperatuurbereik van -20 tot +50°C** --> 2 niveaus van de accuniveau-indicator beginnen te knipperen als er op knop J ⑦ c wordt gedrukt; wacht tot de batterij weer binnen het toegestane bedrijfstemperatuurbereik zit
  - **de accu bijna leeg is (ter bescherming tegen diepe ontlading)** --> er wordt een laag accuniveau of knipperend accuniveau ub aangegeven door de accuniveau-indicator als er op knop J wordt gedrukt; accu opladen
- **! blijf niet op de aan/uit-schakelaar drukken nadat het gereedschap automatisch is uitgeschakeld; de batterij kan beschadigd worden**
- Het zaagblad aanbrengen ⑩
  - **! verwijder de accu uit het gereedschap voordat u instellingen verandert of een accessoire verwisselt**
    - draai de zaagbladklem C in dezelfde richting als pijl op het gereedschap en houd hem in deze positie
    - steek het zaagblad in (met tanden omlaag of omhoog gericht) tot deze niet verder kan
    - laat zaagbladklem C los
    - beweeg het zaagblad op en neer om te controleren of hij goed vast zit
  - Het zaagblad verwijderen ⑪
    - **! verwijder de accu uit het gereedschap voordat u instellingen verandert of een accessoire verwisselt**
      - draai de zaagbladklem C in dezelfde richting als pijl op het gereedschap en houd hem in deze positie
      - trek het zaagblad eruit
      - laat zaagbladklem C los
    - Werken met het gereedschap
      - **! klem het werkstuk stevig vast**
        - markeer de zaaglijn op het werkstuk
        - plaats de accu in het gereedschap
        - houd het gereedschap met één hand vast bij de handgreep H en met de andere hand bij de geïsoleerde voorhandgreep D
        - zet het gereedschap aan
        - geleid het gereedschap langs de aangegeven zaaglijn
        - druk de draaischoen B stevig tegen het werkstuk om terugslag en trilling tot een minimum te beperken
      - Vasthouden en leiden van het gereedschap
        - **! houd het gereedschap tijdens het werk altijd vast bij het (de) grijs gekleurde greepvlak(ken) ⑫**
          - houd ventilatie-openingen E onbedekt
          - oefen niet te veel druk uit; laat het gereedschap het werk voor u doen
        - **! zorg ervoor, dat het zaagblad aan de andere kant van het werkstuk uitsteekt tijdens een zaagsnede ⑬**
    - De schoen draaien ⑭
      - druk de vergrendelknop F in de vergrendelde stand en

- verwijder vervolgens het accupack uit het gereedschap.
- houd de zaag stevig vast en draai vervolgens de schoen B in de gewenste hoek, terwijl u ervoor zorgt dat u contact met het blad vermijdt.
- plaats de accu weer terug en bereid de zaagsnede voor

## TOEPASSINGSADVIES

- Invalzagen ⑮  
Invalzaagsnedes kunnen in hout en andere zachte materialen gemaakt worden zonder een gat voor te boren
  - gebruik een dik zaagblad
- **! verwijder de accu uit het gereedschap voordat u instellingen verandert of een accessoire verwisselt**
  - markeer de gewenste zaaglijn op het werkstuk
  - kantel het gereedschap zodanig, dat het zaagblad het werkstuk niet raakt
  - zet het gereedschap aan en laat het bewegende zaagblad voorzichtig in het werkstuk grijpen
  - nadat het zaagblad helemaal door het werkstuk heen is gegaan, doorgaan met zagen lang de aangegeven zaaglijn
- **! maak geen invalzaagsnedes in metalen materialen**
- Gebruik de juiste zaagbladen ⑯
- Bij het zagen in metalen, het zaagblad regelmatig met olie invetten
- Splintervrij zagen
  - bedek de zaaglijn met verscheidene lagen breed plakband, voordat u begint te zagen
  - leg de goede kant van het werkstuk altijd naar beneden
- Voor meer informatie zie [www.skil.com](http://www.skil.com)

## ONDERHOUD / SERVICE

- Dit gereedschap is niet bedoeld voor professioneel gebruik
- Houd het gereedschap altijd schoon (met name de ventilatie-openingen E ②)
  - **! verwijder voor het reinigen de batterij uit het gereedschap**
- Mocht het elektrische gereedschap ondanks zorgvuldige fabricage- en testmethoden toch defect raken, dient de reparatie te worden uitgevoerd door een erkende klantenservice voor SKIL elektrische gereedschappen
  - stuur het gereedschap niet gedemonteerd, samen met het aankoopbewijs, naar het verkoopadres of het dichtstbijzijnde SKIL service-station (de adressen evenals de onderdeelentekening van de machine vindt u op [www.skil.com](http://www.skil.com))
- Denk erom, dat beschadigingen als gevolg van overbelasting of onjuist gebruik van de machine niet onder de garantie vallen (voor de garantievoorwaarden van SKIL zie [www.skil.com](http://www.skil.com) of raadpleeg uw dealer)

## MILIEU

- Geef elektrisch gereedschap, batterijen, accessoires en verpakkingen niet met het huisvuil mee (alleen voor EU-landen)
  - volgens de Europese richtlijn 2012/19/EG inzake oude elektrische en elektronische apparaten en de toepassing daarvan binnen de nationale wetgeving, dient afgedankt elektrisch gereedschap gescheiden

te worden ingezameld en te worden afgevoerd naar een recycle-bedrijf, dat voldoet aan de geldende milieu-eisen

- symbool ⑥ zal u eraan herinneren als u het gereedschap moet afdanken

**! bescherm de batterij-contacten met stevig plakband voordat ze afgedankt worden, om kortsluiting te voorkomen**

## GELUID / VIBRATIE

- Gemeten in navolging van EN 62841 is het geluidsdrumniveau van dit gereedschap 87 dB (A) en het geluidsvermogensniveau 98 dB (A) (onzekerheid K = 3 dB), en de trilling \* (triax vector som; onzekerheid K = 1,5 m/s<sup>2</sup>)
    - \* zagen van platen 10,58 m/s<sup>2</sup>
    - \* zagen van houten balken 8,46 m/s<sup>2</sup>
  - Het trillingsemissieniveau is gemeten in overeenstemming met een gestandaardiseerde test volgens EN 62841; deze mag worden gebruikt om twee machines met elkaar te vergelijken en als voorlopige beoordeeling van de blootstelling aan trilling bij gebruik van de machine voor de vermelde toepassingen
    - gebruik van het gereedschap voor andere toepassingen, of met andere of slecht onderhouden accessoires, kan het blootstellingsniveau aanzienlijk verhogen
    - wanneer het gereedschap is uitgeschakeld of wanneer het is ingeschakeld maar geen werk verricht, kan dit het blootstellingsniveau aanzienlijk reduceren
- ! bescherm uzelf tegen de gevolgen van trilling door het gereedschap en de accessoires te onderhouden, uw handen warm te houden en uw werkwijze te organiseren**

S

**Borstlös, sladdlös tigersåg**

**3475**

## INTRODUKTION

- Detta verktyg är avsett för sågning av trä, plast, metall och byggmaterial samt för kvistning och trädbeskärning.
- Det här verktyget är inte avsedd för yrkesmässig användning.
- Läs igenom och spara denna bruksanvisning. ③

## TEKNISKA DATA ①

## VERKTYGSELEMENT ②

- A Kniv
- B Vridbar sko
- C Sågbladsklämma
- D Grepp
- E Ventilationsöppningar
- F Låsknapp
- G Strömbrytare för till/från och varvtalsreglering
- H Handtag
- J Knapp batterivärdikator
- K Dubbla LED-lampor

## SÄKERHET

### ALLMÄNNA SÄKERHETSVARNINGAR FÖR ELVERKTYG

**⚠ VARNING** Läs igenom alla säkerhetsvarningar, instruktioner, illustrationer och specifikationer som medföljer detta elverktyg. Underlåtenhet att följa alla instruktioner som listas nedan kan resultera i elektriska stötar, brand och/eller allvarliga personskador.

**Spara alla varningar och instruktioner för framtida referens**

Termen "elverktyg" i varningarna syftar på ditt eldrivna (sladdanslutna) elverktyg eller batteridrivna (sladdlösa) elverktyg.

### 1) ARBETSPLATSSÄKERHET

- Håll arbetsområdet rent och ordentligt upplyst.** Belamrade eller mörka områden inbjuder till olyckor.
- Använd inte elverktyg i explosiva miljöer som t.ex. i närvaron av brandfarliga vätskor, gaser eller damm.** Elverktyg skapar gnistor vilka kan antända dammet eller ångorna.
- Håll barn och åskådare borta medan elverktyget arbetar.** Störningarna kan göra att du tappar kontrollen.

### 2) ELEKTRISK SÄKERHET

- Elverktygets kontakter måste matcha uttaget.** Modifiera aldrig kontakten på något sätt. Använd inte någon adapterkontakt med motordrivna verktyg som är jordade. Stickkontakter som inte modifierats och passar i eluttaget minskar risken för elektriska stötar.
- Undvik kroppskontakt med jordanslutna eller jordade ytor såsom rör, värmeelement, spisar och kylskåp.** Det finns en ökad risk för elektrisk stöt om din kropp är jordanslutna eller jordad.
- Utsätt inte elverktyg för regn eller våta förhållanden.** Vatten som kommer in i ett elektriskt verktyg ökar risken för elektriska stötar.
- Vanvärda inte sladden.** Använd aldrig kabeln för att bära, släpa eller dra ut kontakten för elverktyget. Håll kabeln borta från värme, olja, skarpa kanter och rörliga delar. Skadade eller tilltrasslade sladdar ökar risken för elektrisk stöt.
- Vid användning av motordrivna verktyg utomhus, använd en förlängningskabel som är avsedd för utomhusbruk.** Användning av en sladd som passar för utomhusanvändning minskar risken för elektrisk stöt.
- Om du måste använda ett motordrivet verktyg i en fuktig miljö, använd en jordfelsbrytare.** En jordfelsbrytare minskar risken för elektriska stötar.

### 3) PERSONLIG SÄKERHET

- Var uppmärksam och observant samt använd sunt förnuft när du använder ett elverktyg.** Använd inte ett motordrivet verktyg om du är trött eller under påverkan av droger, alkohol eller medicin. Ett ögonblick av ouppmärksamhet under arbete med elverktyg kan resultera i allvarliga personskador.
- Använd personlig skyddsutrustning.** Använd alltid skyddsglasögon. Minska risken för personskador genom att använda skyddsutrustning som t.ex. ansiktsmask, halkfria skyddsskor, hjälm och hörselskydd.
- Förebygg oavsiktlig start. Se till att strömbrytaren**



- är i frånläge innan du ansluter till strömkällan och/ eller batteripaketet, plockar upp eller bär verktyget. Att bära elverktyget med fingret på strömbrytaren eller verktyg som är påslagna inbjuder till olyckor.
- d) **Ta bort inställningsnycklar eller skiftnycklar innan elverktyget slås på.** En skiftnyckel eller en nyckel som sitter kvar på en roterande del av elverktyget kan resultera i personskada.
- e) **Sträck dig inte för långt. Ha ordentligt fotfäste och balans hela tiden.** Detta möjliggör bättre kontroll av elverktyget i oväntade situationer.
- f) **Klä dig på lämpligt sätt. Använd inte löst sittande kläder eller smycken.** Håll hår och klädsel på avstånd från de rörliga delarna. Löst sittande kläder, smycken och långt hår kan fastna i de rörliga delarna.
- g) **Om enheter har anslutning för dammuppsamlare och anslutningsmöjligheter, se till att de är anslutna och används på korrekt sätt.** Användning av dammuppsamlare kan minska dammrelaterade faror.
- h) **Var alltid uppmärksam vid användning av verktyget, även efter många användningstillfällen, och ignorera inte verktygets säkerhetsprinciper.** En vårdslös handling kan orsaka allvarliga personskador inom bråkdelen av en sekund.
- 4) **ANVÄNDNING OCH SKÖTSEL AV ELVERKTYG**
- a) **Tvinga inte elverktyget. Använd ett korrekt elverktyg för ditt arbete.** Ett korrekt elverktyg utför jobbet bättre och säkrare om det används för rätt arbete.
- b) **Använd inte elverktyget om strömbrytaren inte kan slås på eller stängas av.** Ett elverktyg som inte kan kontrolleras med strömbrytaren är farligt och måste repareras.
- c) **Koppla ur stickkontakten från strömkällan och/eller ta bort batteripaketet, om det är löstagbart, från elverktyget innan du utför justeringar, byter tillbehör eller förvarar elverktyget.** Dessa förebyggande säkerhetsåtgärder minskar risken för att elverktyget startas oavsiktligt.
- d) **Förvara elverktyg som går på tomgång utom räckhåll för barn och låt inte personer som är ovana med elverktyget eller dessa instruktioner använda elverktyget.** Elverktyg är farliga i händerna på utbildade användare.
- e) **Underhåll av elverktyg och tillbehör. Kontrollera felinställningar eller om rörliga delar har fastnat, bristning hos delar och andra eventuella förhållanden som kan komma att påverka elverktygets funktion. Om skadad, lämna in elverktyget för reparation innan det används.** Många olyckor beror på dåligt underhållna elverktyg.
- f) **Håll kapverktyg vassa och rena.** Ordentligt underhållna kapverktyg med vassa sågkanter är mindre sannolika att fastna och är lättare att kontrollera.
- g) **Använd elverktyget, tillbehör, verktygsbits osv. i enlighet med dessa instruktioner och ta hänsyn till arbetsförhållanden och det arbete som ska utföras.** Om elverktyget används för andra arbeten än det är avsett för kan det resultera i farliga situationer.
- h) **Håll handtagen och greppytorna torra, rena och fria från olja och fett.** Håla handtag och greppytor förhindrar säker hantering och kontroll av verktyget vid oväntade situationer.
- 5) **ANVÄNDNING OCH SKÖTSEL AV BATTERIDRIVET**

## VERKTYG

- a) **Ladda endast med den laddare som rekommenderas av tillverkaren.** En laddare som är lämplig för en typ av batteripaket kan skapa en risk för brand när den används med ett annat batteripaket.
- b) **Använd endast elverktyg med deras särskilt avsedda batteripaket.** Användning av andra batteripaket kan medföra risk för personskador och eld.
- c) **När batteripaket inte används bör det hållas borta från andra metallföremål som gem, mynt, nycklar, spikar, skruvar och andra små metallföremål som kan skapa kontakt mellan de två polerna.** Kortslutning av batteriets terminaler kan orsaka brännskador eller en brand.
- d) **Under olämpliga förhållanden kan vätska spruta ut från batteriet. Undvik kontakt. Vid oavsiktlig kontakt, spola med vatten. Om vätskan kommer i kontakt med ögonen, sök också läkarhjälp.** Vätska som sprutar ur batteriet kan orsaka sveda och brännskador.
- e) **Använd inte ett batteripaket eller verktyg som skadats eller modifierats.** Skadade eller modifierade batterier kan leda till oförutsägbart uppträdande som leder till brand, explosion eller risk för personskador.
- f) **Utsätt inte batteripaketet eller verktyget för eld eller extrema temperaturer.** Exponering av eld eller temperaturer över 130 °C kan orsaka explosion.
- g) **Följ alla laddningsinstruktioner och ladda inte batteripaketet eller verktyget utanför det temperaturområde som anges i instruktionerna.** Felaktig laddning eller vid temperaturer utanför angivet temperaturområde kan skada batteriet och ökar risken för brand.
- 6) **SERVICE**
- a) **Lämna ditt elverktyg för service hos en kvalificerad servicetekniker som endast använder identiska utbytesdelar.** Det garanterar att säkerheten hos elverktygets bibehålls.
- b) **Utför aldrig service på skadade batteripaket.** Service av batteripaket bör endast utföras av tillverkaren eller auktoriserade serviceverkstäder.

## SÄKERHETSANVISNINGAR FÖR BORTSTLÖS TIGERSÅG

- **Håll verktyget i de isolerade greppytorna när en åtgärd utförs** där sågtillbehöret kan komma i kontakt med dolt kablage sågtillbehör som kommer i kontakt med en strömförande ledning kan orsaka att även verktygets exponerade metalldelar blir strömförande, vilket utgör risk för att användaren utsätts för elektriska stötar
- **Använd klämmer eller något annat praktiskt sätt att säkra och stötta arbetsstycket mot en stabil plattform** (om du håller arbetsstycket i handen eller mot kroppen blir det instabilt, vilket kan leda till att du tappar kontrollen)

## TILLBEHÖR

- SKIL kan endast garantera att maskinen fungerar felfritt om originaltillbehör används
- Använd endast tillbehör vilkas tillåtna varvtal åtminstone motsvarar maskinens högsta tomgångsvarvtal

## FÖRE ANVÄNDNINGEN

- Undvik skador genom att ta bort skruvar, spikar eller andra föremål ur arbetsstycket; ta dem bort innan du startar ett arbete

- **Använd lämpliga detektorer för lokalisering av dolda försörjningsledningar eller konsultera lokalt distributionsföretag** (kontakt med elledning kan förorsaka brand och elstöt; en skadad gasledning kan leda till explosion; borrhning i vattenledning kan förorsaka egendomsskador eller elstöt)

#### PERSONLIG SÄKERHET

- Den här maskinen ska inte användas av personer under 16 år
- **Asbesthaltigt material får inte bearbetas** (asbest anses vara cancerframkallande)
- Viss typ av damm, exempelvis färg som innehåller bly, vissa träsorter, mineraler och metaller kan vara hälsovådliga om de inhaleras (hudkontakt eller inandning kan ge allergisk reaktion och/eller luftvägsproblem/sjukdom hos personer i närheten); **använd andningsskydd och arbeta med en dammuppsamlare om sådan anslutning finns**
- Vissa typer av damm är klassificerade så som cancerframkallande (t.ex. ek- och björkdamm) särskilt i kombination med tillsatser för träbehandling; **använd andningsskydd och arbeta med en dammuppsamlare om sådan anslutning finns**
- Följ de nationella krav, som finns angående damm, för de material du skall arbeta med
- **Håll händerna på avstånd från sågningsområdet och sågbladet; håll andra handen på greppet D** ② (om båda händerna håller i sågen kan du inte skära dig i handen)
- **Sträck dig inte under arbetsstycket** (du ser inte hur nära bladet din hand kommer)
- **Håll inte stycket som ska sågas i händerna eller över benet** (det är viktigt att arbetsstycket stöds på rätt sätt så att kroppen inte utsätts för fara, sågbladet kör fast eller du förlorar kontrollen över sågen)
- **Använd inte ett slött eller skadat sågblad** (ett böjt blad kan lätt brytas eller orsaka kast)
- **Använd skyddshandskar när du lossar bladet från verktyget** (bladet kan vara varmt efter längre användning)
- Använd skyddsglasögon och hörselskydd

#### BATTERIER

- **Det medföljande batteriet är delvis laddat** (i syfte att garantera batteriets fulla kapacitet ska det laddas fullt i batteriladdaren innan verktyget används för första gången)
- **Använd endast följande batterier och laddare med det här verktyget**
  - SKIL-batteri: BR1\*31\*\*\*\*
  - SKIL-laddare: CR1\*31\*\*\*\*
- Använd inte batteriet om det är skadat; det ska bytas ut
- Demontera inte batteriet
- Utsätt inte verktyget/batteriet för regn
- Tillåten omgivningstemperatur (verktyg/laddare/batteri):
  - vid laddning 4...40 °C
  - vid drift -20...+50 °C
  - vid förvaring -20...+50 °C

#### FÖRKLARING AV SYMBOLER PÅ VERKTYGET/ BATTERIET

- ③ Läs bruksanvisningen före användning
- ④ Batterierna kan explodera om de utsätts för eld så bränn inte batteriet av något skäl
- ⑤ Förvara verktyget/laddaren/batteriet i lokaler, där temperaturen inte överstiger 50 °C
- ⑥ Kasta inte elektriska verktyg och batterier i

hushållssoporna

## ANVÄNDNING

- **Laddning av batteri**  
**! läs säkerhetsvarningarna och anvisningarna som medföljde laddaren**
- Borttagning/installation av batteriet ②
- Batterinivåindikator ⑦
  - tryck på indikatorknappen för batterinivån J för att visa nuvarande batterinivå ⑦a
  - ! när den lägsta nivån hos batteriindikatorn börjar blinka efter att knappen J ⑦ tryckts in är batteriet tomt**
  - ! när två nivåer av batteriindikatorn börjar blinka efter att knappen J ⑦c tryckts in är inte batteriet inom tillåtet drifttemperaturområde**
- Kombinerad strömbrytare för på/av och hastighetskontroll med låsknapp ⑧ ⑨
  - lås först upp genom att trycka på knappen F
  - slå på verktyget genom att trycka på avtryckaren G
  - variera hastigheten steglöst från noll till maximum genom att trycka mer eller mindre på avtryckaren
  - stäng av genom att släppa avtryckaren G
- Låsknapp F kan aktiveras ⑧
  - om den aktiveras blockeras till/från-brytaren och maskinen säkras mot oavsiktlig påslagning
- Dubbla LED-lampor K ⑩
  - Dubbla LED-lampor tänds automatiskt när strömbrytaren G aktiveras
  - ! när LED-lampan börjar att blinka, är batteriskyddet aktiverat (se nedan)**
- Batteriskydd
  - Verktyget stängs plötsligt av eller förhindras att startas när
    - **belastningen är alltför hög** --> ta bort belastning och starta om
    - **batteriets temperatur är inte inom tillåtet drifttemperaturområde på -20 till +50 °C** --> två nivåer på batteriindikatorns nivåindikator börjar blinka när knappen J ⑦c trycks in; vänta tills batteriet har återgått till tillåtet drifttemperaturområde
    - **batteriet är nästan tomt (för att skydda mot djup urladdning)** --> en låg batterinivå eller blinkande låg batterinivå ub visas av indikator för batterinivån när knappen J trycks in; ladda batteriet
  - ! fortsätt inte trycka på strömbrytaren efter att verktyget stängts av automatiskt; batteriet kan skadas**
- Montering av sågbladet ⑪
  - ! ta bort batteriet från verktyget innan du gör några justeringar eller byter tillbehör**
  - tryck på bladklämman C i samma riktning som pilen på verktyget och håll den i och håll den i detta läge
  - för in bladet helt (med tändarna nedåt eller uppåt)
  - släpp bladklämman C
  - tryck på och dra ut bladet, för att kontrollera att det sitter ordentligt
- Borttagning av sågbladet ⑪
  - ! ta bort batteriet från verktyget innan du gör några justeringar eller byter tillbehör**
  - tryck på bladklämman C i samma riktning som pilen på verktyget och håll den i och håll den i detta läge
  - dra ut bladet

- släpp bladklämman C
- Använda verktyget
  - ! lås fast arbetsstycket på säkert sätt**
  - markera såglinjen på arbetsstycket
  - montera batteri på verktyget
  - håll maskinen med ena handen på handtaget H och den andra på det isolerade greppet D
  - starta verktyget
  - styr verktyget längs den uppritade såglinjen
  - håll pivotsko B stadigt mot arbetsstycket för att minimera motkraft och vibrationer
- Fattning och styrning av maskinen
  - ! under arbetet, håll alltid verktyget i det gråfärgade greppområdet ⑫**
  - håll ventilationsöppningarna E fria
  - lägg inte för mycket tryck på verktyget; låt verktyget göra arbetet åt dig
  - ! kontrollera att bladet sticker ut på arbetsstyckets bortsida under hela slaget ⑬**
- Vrid skon ⑭
  - tryck ner låsknappen F till låst läge och ta sedan bort batteripaketet från verktyget.
  - håll fast sågen och vrid sedan pivotskon B till önskad vinkel, samtidigt som du är noga med att undvika kontakt med bladet.
  - installera om batteriet och förbered dig på att såga

## ANVÄNDNINGSTIPS

- Instickssågning ⑮
  - Det går att instickssäga i trä och andra mjuka material utan att förborra instickshål
  - använd ett tjockare sågblad
  - ! ta bort batteriet från verktyget innan du gör några justeringar eller byter tillbehör**
  - markera önskad såglinje på arbetsstycket
  - luta maskinen så att bladet inte rör vid arbetsstycket
  - starta maskinen och för försiktigt det arbetande sågbladet i kontakt med arbetsstycket
  - när sågbladet gått igenom arbetsstycket, fortsätter du att såga längs såglinjen
  - ! Göra inga instickssågningar i metallmaterial**
- Använd rätt sågblad ⑯
- För sågning i metall, olja in sågbladet regelbundet
- Splitterfri sågning
  - täck snittlinjen med flera lager av breda tejp innan du börjar såga
  - lägg alltid den finaste sidan av arbetsstycket nedåt
- Besök [www.skil.com](http://www.skil.com) för mer information

## UNDERHÅLL / SERVICE

- Det här verktyget är inte avsedd för yrkesmässig användning
- Håll alltid verktyget rent (i synnerhet ventilationsöppningarna E ②)
- ! ta bort batteriet från verktyget före rengöring**
- Om i elverktyget trots exakt tillverkning och sträng kontroll störning skulle uppstå, bör reparation utföras av auktoriserad serviceverkstad för SKIL elverktyg
  - skicka verktyget odemonterat tillsammans med inköpsbevis till försäljaren eller till närmaste SKIL serviceverkstad (adresser samt sprängskisser av verktyget finns på [www.skil.com](http://www.skil.com))

- Observera att skada till följd av ovarsamhet eller överbelastning inte täcks av garantin (för SKIL garantivillkor gå till [www.skil.com](http://www.skil.com) eller fråga återförsäljaren)

## MILJÖ

- Elektriska verktyg, batterier, tillbehör och förpackning får inte kastas i hushållssoporna (gäller endast EU-länder)
  - enligt europeiska direktivet 2012/19/EG avseende avfall från elektrisk och elektronisk utrustning och dess tillämpning enligt nationell lagstiftning ska uttjänta elektriska verktyg sorteras separat och lämnas till miljövänlig återvinning
  - symbolen ⑥ kommer att påminna om detta när det är dags för avyttring
- ! före avyttring av batterierna, tejpa kontaktytorna med kraftig tejp för att undvika kortslutning**

## LJUD / VIBRATION

- Det här verktygets ljudtrycksnivå som uppmätts i enlighet med EN62841 och ljudtrycksnivån för detta verktyg är 87 dB(A) och ljudeffektnivån 98 dB(A) (osäkerhet K = 3 dB) och vibrationen (triaxvektorsumma; osäkerhet K = 1,5 m/s<sup>2</sup>)
  - \* sågskiva 10,58 m/s<sup>2</sup>
  - \* skärande träbjälkar 8,46 m/s<sup>2</sup>
- Vibrationsemissionsvärdet har uppmätts enligt ett standardiserat test i enlighet med EN 62841; detta värde kan användas för att jämföra vibrationen hos olika verktyg och som en ungefärlig uppskattning av hur stor vibration användaren utsätts för när verktyget används enligt det avsedda syftet
  - om verktyget används för annat arbete än det avsedda syftet eller med fel eller dåligt underhållna tillbehör kan detta drastiskt öka exponeringsnivån
  - när verktyget stängts av eller körs men inte utför arbetet, kan detta avsevärt minska exponeringsnivån
- ! skydda dig mot effekterna av vibrationer genom att underhålla verktyget och dess tillbehör, hålla händerna varma och organisera ditt arbetsmönster**

DK

**Batteridrevet børsteløs  
bajonetsav**

**3475**

## INTRODUKTION

- Dette værktøj er beregnet til savning i træ, plastik, metal og byggematerialer samt til beskæring og trimning af træ.
- Dette værktøj er ikke beregnet til professionelt brug.
- Læs og gem denne brugsanvisning. ③

## TEKNISKE DATA ①

## VÆRKTØJETS DELE ②

- A Kniv
- B Pivot sko
- C Klingeklemme

- D Tøndeformet greb
- E Ventilationshuller
- F Låseknapp
- G Afbryder til tænd/sluk og regulering af omdrejningstal
- H Håndtag
- J Knap til batteriniveau-indikator
- K Dobbelt LED-lys

## SIKKERHED

### GENERALLE SIKKERHEDSADVARSLER OM ELEKTRISKE APPARATER

**⚠ ADVARSEL** Læs alle sikkerhedsadvarsler, anvisninger, billeder og specifikationer, der følger med dette elværktøj. Hvis anvisningerne nedenfor ikke følges, kan det føre til elektrisk stød, brand og/eller alvorlig personskade.

**Gem alle advarsler og instruktioner til fremtidig reference.**

Udtrykket »elværktøj« i advarslerne henviser til eldrevet (ledningsforbundet) og batteridrevet (ledningsfrit) elværktøj.

#### 1) SIKKERHED PÅ ARBEJDSPLADSEN

- a) **Sørg for, at arbejdsområdet er rent og godt belyst.** Et rodet eller mørkt område kan føre til ulykker.
- b) **Brug ikke elværktøj i eksplosive atmosfærer, såsom ved tilstedeværelse af brændbare væsker, gasser eller støv.** Elværktøj kan slå gnister og antænde støv og dampe.
- c) **Hold børn og tilskuere på afstand, når et elværktøj er i brug.** Distractioner kan medføre, at du mister kontrollen.

#### 2) SIKKERHED OMKRING ELEKTRICITET

- a) **Stikket på elværktøjet skal passe i stikkontakten. Stikket må på ingen måde ændres. Brug ikke adapterstik sammen med jordede (jordforbundne) elværktøj.** Uændrede stik, der passer til stikkontakterne, nedsætter risikoen for elektrisk stød.
- b) **Undgå kropskontakt med jordforbundne overflader, såsom rør, radiatorer, komfurer og køleskabe.** Der er øget risiko for elektrisk stød, hvis din krop er jordforbundet.
- c) **Elværktøj må ikke udsættes for regn eller våde forhold.** Vand kommer ind et elværktøj øger risikoen for elektrisk stød.
- d) **Ledningen må ikke mishandles. Brug aldrig ledningen til at bære eller trække elværktøjet eller til at trække stikket ud af stikkontakten. Hold ledningen væk fra varme, olie, skarpe kanter og bevægelige dele.** Beskadigede eller sammenfiltrede ledninger, øger risikoen for elektrisk stød.
- e) **Når et elværktøj bruges udendørs, skal der bruges en forlængerledning, der er egnet til udendørs brug.** Brug af en egnet ledning til udendørs brug, reducerer risikoen for elektrisk stød.
- f) **Hvis det ikke kan undgås at benytte apparatet i fugtige omgivelser, så brug et stik med fejlstrømsrelæ.** Anvendelse af et fejlstrømsrelæ mindsker risikoen for elektrisk stød.

#### 3) PERSONLIG SIKKERHED

- a) **Vær forsigtig, hold øje med hvad du laver, og brug din sunde fornuft, når du bruger et elværktøj. Brug ikke apparatet, hvis du er træt eller er påvirket af narkotika, alkohol eller medicin.** Et øjeblikks uopmærksomhed, kan føre til alvorlige personskader.
  - b) **Brug personligt beskyttelsesudstyr. Brug altid beskyttelsesbriller.** Værnemidler, såsom støvmaske, skridsikre sikkerhedssko, hjelm eller høreværn, der anvendes under passende betingelser, nedsætter risikoen for personskade.
  - c) **Forhindre utilsigtet start. Sørg for, at tænd/sluk-knappen er slukket, inden apparatet slutes til strømkilden eller batteripakken, samt inden det løftes op eller bæres rundt.** Hvis elværktøjet bæres med fingeren på kontakten, eller oplades med tænd/sluk-knappen tændt, øger det risikoen for ulykker.
  - d) **Fjern indstillingsværktøj eller skruenøgler, før elværktøjet startes.** En skruenøgle eller en nøgle sidder i en roterende del af elektrisk værktøj, kan resultere i personskade.
  - e) **Undgå at række for langt frem. Sørg altid for at stå ordentligt fast og i god balance.** Dette giver bedre kontrol af det elektriske værktøj når uventede situationer.
  - f) **Brug passende tøj. Brug ikke løstsiddende tøj eller smykker. Hold hår og tøj fra bevægelige dele.** Løstsiddende tøj, smykker eller langt hår kan komme i klemme i bevægelige dele.
  - g) **Hvis der monteres tilbehør til opsamling af støv eller andet, skal det sikres, at disse monteres og bruges korrekt.** Brug af støvindsamlingsenheder, kan reducere støv-relaterede risici.
  - h) **Selvom du ofte bruger og har et godt kendskab til værktøjet, må du ikke være overmodig eller glemme sikkerhedsprincipperne.** En uagtsom handling kan forårsage alvorlig skade i en brøkdæl af et sekund.
- #### 4) BRUG OG PLEJE AF ELVÆRKTØJET
- a) **Elværktøjet må ikke tvinges under brug. Brug det korrekte elværktøj til formålet.** Det rigtige elværktøj gør arbejdet bedre og mere sikkert, da det er beregnet til formålet.
  - b) **Brug ikke elværktøjet, hvis kontakten ikke kan tænde og slukke.** Alt elværktøj, hvor kontakterne ikke dur, er farligt og skal repareres.
  - c) **Træk stikket til apparatets strømforsyning ud af stikkontakten og/eller fjern batteripakken hvis dette er muligt, inden du foretager justeringer, skifter tilbehør eller lægger elværktøjet til opbevaring.** Sådanne forebyggende sikkerhedsforanstaltninger mindsker risikoen for at starte elværktøjet utilsigtet.
  - d) **Opbevar elværktøj, der ikke bruges, utilgængeligt for børn, og tillad ikke personer, der ikke kender elværktøjet eller disse anvisninger, at bruge elværktøjet.** Elværktøj er farligt i hænderne på brugere, der ikke ved, hvordan det skal bruges.
  - e) **Vedligehold elværktøj og tilbehør. Kontroller, at de bevægelige dele ikke er fejljusterede eller binder eller er i en tilstand, der kan påvirke elværktøjets drift. Få beskadigede elværktøjet repareret før brug.** Mange ulykker er forårsaget af dårligt vedligeholdet elværktøj.
  - f) **Hold skæreværktøj skarpe og rene.** Skæreværktøjer med skarpe kanter, der vedligeholdes ordentligt, er mindre tilbøjelige til at binde og er lettere at styre.

- g) **Elværktøjet, tilbehør og bits osv. skal bruges i overensstemmelse med disse instruktioner, hvor arbejdsforholdene og arbejdet, der skal udføres, skal tages i betragtning.** Anvendelse af elværktøj til andre formål end dem, de er beregnet til, kan medføre en farlig situation.
- h) **Hold håndtag og gribeblade tørre, rene og fri for olie og fedt.** Glatte håndtag og glatte overflader, der holdes i, gør værktøjet farligt at bruge i uventede situationer.
- 5) **BRUG OG PLEJE AF BATTERIVÆRKTØJER**
- a) **Genoplad kun med opladeren er angivet af fabrikanten.** Hvis en oplader, der er egnet til én slags batteri, bruges med en anden slags batteri, kan det føre til brand.
- b) **Anvend kun elektrisk værktøj med særligt udpegede batteripakker.** Brug af andre batterier kan skabe risiko for personskade og brand.
- c) **Når batteriet ikke er i brug, skal den holdes væk fra andre metalgenstande som papirclips, mønter, nøgler, søm, skruer eller andre små metalgenstande, der kan skabe forbindelse fra en pol til en anden.** Shorting batteripolerne sammen kan forårsage forbrændinger eller brand.
- d) **Ved forkert brug kan der slippe væske ud af batteriet: Undgå kontakt.** Hvis det alligevel skulle ske, skylles med vand. Hvis væsken kommer i øjnene, skal man også søge læge. Væske fra batteriet kan forårsage irritation eller forbrændinger.
- e) **Anvend ikke et batteri eller et værktøj, der er beskadiget eller modificeret.** Beskadigede eller modificerede batterier kan opføre sig uforudsigeligt og forårsage brand, eksplosion eller risiko for personskade.
- f) **Udsæt ikke et batteri eller et værktøj for ild eller for høj temperatur.** Udsættelse for ild eller temperaturer over 130 °C kan forårsage eksplosion.
- g) **Følg alle anvisninger vedrørende opladning, og oplad ikke batteriet eller værktøjet uden for temperaturområdet angivet i anvisningerne.** Forkert opladning eller temperaturer uden for det angivne område kan beskadige batteriet og øge risikoen for brand.
- 6) **SERVICE**
- a) **Dit elværktøj skal repareres af en kvalificeret person, og der må kun bruges identiske reservedele.** På denne måde sikrer man, at elværktøjet forbliver sikkert at bruge.
- b) **Udfør aldrig selv service på beskadigede batterier.** Service på batterier må kun udføres af producenten eller godkendte servicecentre.

#### SIKKERHEDSINSTRUKSER TIL BØRSTELØSE BAJONETSÅVE

- **Hold elværktøjet i de isolerede gribeblade, når der udføres arbejde, hvor skæreindsatsværktøjet kan ramme skjulte ledninger** (kontakt med en spændingsførende ledning sætter også elværktøjets metaldele under spænding, hvilket fører til elektrisk stød)
- **Brug klemmer eller en anden praktisk måde til at fastgøre og støtte arbejdsemnet på en stabil platform** (hvis du holder arbejdsemnet i hånden eller mod kroppen, kan du miste kontrol over værktøjet)

#### TILBEHØR

- SKIL kan kun sikre en korrekt funktion af værktøjet, hvis der benyttes originalt tilbehør
- Der må kun benyttes tilbehør, hvis godkendte omdrejningstal er mindst så højt som værktøjets max. omdrejningstal i ubelastet tilstand

#### INDEN BRUG

- Undgå skader forårsaget af skruer, søm eller andre materialer i arbejdsstykket; fjern disse før De begynder at arbejde
- **Anvend egnede søgeinstrumenter til at finde frem til skjulte forsyningsledninger eller kontakt det lokale forsyningselskab** (kontakt med elektriske ledninger kan føre til brand og elektrisk stød; beskadigelse af en gasledning kan føre til eksplosion; brud på et vandrør kan føre til materiel skade eller elektrisk stød)

#### PERSONLIG SIKKERHED

- Dette værktøj må ikke bruges af personer under 16 år
- **Bearbejd ikke asbestholdigt materiale** (asbest er kræftfremkaldende)
- Støv fra materiale som f.eks. maling, der indeholder bly, nogle træsorter, mineraler og metal kan være skadeligt (kontakt med eller indånding af støvet kan forårsage allergiske reaktioner og/eller sygdomme i luftvejene hos den, der anvender værktøjet, eller hos omkringstående). **Brug en støvmaske og arbejd med en støvudsugningsanordning, hvor en sådan kan sluttes til**
- Bestemte former for støv er klassificeret som kræftfremkaldende (som f.eks. støv fra eg og bøg) især i forbindelse med tilsætningsstoffer til træbehandling. **Brug en støvmaske og arbejd med en støvudsugningsanordning, hvor en sådan kan sluttes til**
- Følg de nationale krav, hvad angår støv, for de materialer, du ønsker at arbejde med
- **Hold hænderne væk fra skæreområdet og savklingen; tag fat om det tøndeformede greb med din anden hånd D②** (hvis begge hænder holder fast i saven, kan de ikke blive beskadiget af savklingen)
- **Stik ikke hånden ind under arbejdsemnet** (afstanden mellem klingens og hånden er ikke synlig)
- **Hold aldrig arbejdsemnet, som skal saves, i hænderne eller hen over et ben** (det er vigtigt at understøtte arbejdsemnet korrekt for at minimere kontakt med kroppen, undgå at savklingen sætter sig fast eller at De mister kontrol over saven)
- **Anvend aldrig en sløv eller beskadiget savklinge** (bøjede klinger kan let knække eller forårsage tilbageslag)
- **Brug beskyttelseshandsker, når du tager savklingen ud af værktøjet** (savklingen kan være varm, hvis værktøjet har været i brug i længere tid)
- Brug beskyttelsesbriller og høreværn

#### BATTERIER

- **Det medfølgende batteri er delvist opladet** (for at sikre fuld kapacitet af batteriet skal det oplades helt i batteriopladeren, inden du anvender dit elværktøj første gang)
- **Anvend kun de følgende batterier og batteriopladere, der leveres med dette værktøj**
  - SKIL-batteri: BR1\*31\*\*\*\*
  - SKIL-oplader: CR1\*31\*\*\*\*
- Brug ikke batteriet, hvis det er beskadiget. Det skal udskiftes
- Adskil ikke batteriet
- Udsæt ikke værktøjet/batteriet for regn



- Tilladt omgivelsestemperatur (værktøj/oplader/batteri):
  - ved opladning 4...40°C
  - ved drift -20...+50°C
  - ved opbevaring -20...+50°C

#### FORKLARING TIL SYMBOLERNE PÅ VÆRKTØJET/ BATTERI

- ③ Læs instruktionen inden brugen
- ④ Batterier vil eksplodere, hvis de kommer i ild, så forsøg aldrig at brænde batteriet
- ⑤ Opbevar værktøj/opladeren/batteriet i et lokale, hvor temperaturen ikke overstiger 50°C
- ⑥ Elværktøj og batterier må ikke bortskaffes som almindeligt affald

### BETJENING

- **Opladning af batteriet**  
**! Læs sikkerhedsadvarselne og -anvisningerne, der følger med opladeren**
- Montering/fjernelse af batteriet ②
- Indikator for batteritilstand ⑦
  - Tryk på knappen for batteristand J for at se batteriets aktuelle status ⑦a
  - ! Når batteri-indikatoren nederste niveau blinker, når der trykkes på knappen J ⑦b, er batteriet afladet.**
  - ! Når batteri-indikatoren andet niveau blinker, når der trykkes på knappen J ⑦c, er batteriet uden for den tilladte driftstemperatur.**
- Kombineret tænd/sluk- og hastighedsknap med låseknap ⑧ ⑨
  - Lås først op ved, at trykke på knappen F
  - start værktøj ved at trække i aftrækkeren G
  - kontroller hastigheden trinløst fra nul til maks. hastighed ved at trykke mere eller mindre på afbryderen
  - sluk ved at slippe aftrækkeren G
- Låseknap F kan aktiveres ⑧
  - hvis den aktiveres, blokeres tænd-/slukafbryderen, og maskinen sikres imod utilsigtet start
- Dobbelt LED-lys K ⑩  
Dobbelt LED-lys der automatisk tænder, når knappen G tændes  
**! Når LED-lyset begynder at blinke, er batteribeskyttelsen slået til (se nedenfor)**
- Batteribeskyttelse  
Værktøjet slukker eller det kan ikke tændes, når
  - **belastning er for høj** --> fjern belastningen og start værktøjet igen
  - **batteritemperaturen er ikke inden for det tilladte område på -20 til +50 °C** -> 2 af trinene på batteri-indikatoren begynder at blinke, når der trykkes på knappen J ⑦c. Vent, indtil batteriet er tilbage inden for det tilladte temperaturområde
  - **batteriet er næsten tomt (for at beskytte mod dyb afladning)** -> batteri-indikatoren viser et lavt batteriniveau eller blinkende lavt batteriniveau ub, når der trykkes på knappen J. Oplad batteriet
- ! Undlad at betjene kontakten, efter at der er slukket for værktøjet, da det kan beskadige batteriet**
- Montering af savklinge ⑪  
**! fjern batteriet fra værktøjet, før du foretager justeringer på værktøjet eller udskifter tilbehør**
  - tryk klingeclommen C i samme retning som pilen på værktøjet og hold den i denne position

- sæt savklingen i helt (med tænderne opad eller nedad)
- Slip klingeclommen C
- skub savklingen i og træk den ud for at kontrollere, at den er korrekt låst
- Afmontering af savklinge ⑪  
**! fjern batteriet fra værktøjet, før du foretager justeringer på værktøjet eller udskifter tilbehør**
  - tryk klingeclommen C i samme retning som pilen på værktøjet og hold den i denne position
  - træk savklingen ud
  - Slip klingeclommen C
- Betjening af værktøjet  
**! Sørg for at spænde arbejdsområdet godt fast**
  - afmærk skærelinjen på arbejdsområdet
  - sæt batteriet i værktøjet
  - hold værktøjet med den ene hånd på håndtag H og læg den anden hånd på den isolerede gribeblade D
  - tænd værktøjet
  - før værktøjet langs den afmærkede skærelinje
  - Sørg for at holde drejeplade B tæt mod arbejdsområdet for at minimere modkraft og vibrationer
- Håndtering og styring af værktøjet  
**! Når værktøjet bruges, skal du altid holde værktøjet på de grå markerede grebsområde(r) ⑫**
  - ventilationshullerne E må ikke tildækkes
  - pres ikke for hårdt med værktøjet; lad værktøjet gøre arbejdet for dig
- ! Kontroller, at savklingen rækker ud over arbejdsområdet under hele slaglængden ⑬**
- Drejning af pladen ⑭
  - tryk låseknapen F ned, så den låser, og tag derefter batteripakken ud af værktøjet.
  - Hold ordentligt fast i saven, og drej derefter pladen B til den ønskede vinkel, og undgå kontakt med klingens.
  - sæt batteriet i igen, og gør dig klar til at save

### GODE RÅD

- Dyksavning ⑮  
Indstiksskæring kan laves i træ eller lignende bløde materialer uden at bore et hul først
  - brug en tyk savklinge
- ! fjern batteriet fra værktøjet, før du foretager justeringer på værktøjet eller udskifter tilbehør**
  - afmærk den ønskede skærelinje på arbejdsområdet
  - skrålstil værktøjet, således at savklingen ikke berører arbejdsområdet
  - tænd værktøjet og sæt forsigtigt den bevægende savklinge i arbejdsområdet
  - når savklingen er trængt ind i arbejdsområdet fortsæt med at sav langs den afmærkede skærelinje
- ! Lav ikke indstiksskæringer i materialer af metal**
- Brug rigtige savklinger ⑯
- Ved savning i metal, sørg for at smøre savklingen jævnligt med olie
- Splintfri savning
  - dæk snitlinjen med flere lag af bredt tape før De begynder at save
  - læg altid den næste side af arbejdsområdet nedad
- Se yderligere oplysninger på [www.skil.com](http://www.skil.com)

### VEDLIGEHOLDELSE/SERVICE

- Dette værktøj er ikke beregnet til professionelt brug

- Hold alltid værktøjet rent (særligt ventilationshullerne E ②)
- **! Tag batteriet ud af værktøjet inden rengøring**
- Skulle elværktøjet trods omhyggelig fabrikation og kontrol skulle holde op med at fungere, skal reparasjonen utføres af et autoriseret serviceværksted for SKIL-elektroværktøj
  - send det ikke adskilte værktøj sammen med et købsbevis til forhandleren eller nærmeste SKIL-serviceværksted (adresser og reservedelstegning af værktøjet findes på [www.skil.com](http://www.skil.com))
- Husk, at beskadigelse som følge af overbelastning eller forkert håndtering af værktøjet ikke er omfattet af garantien (se [www.skil.com](http://www.skil.com) vedrørende SKIL-garantibetingelserne, eller spørg din forhandler)

## MILJØ

- Elværktøj, batterier, tilbehør og emballage må ikke bortskaffes som almindeligt affald (kun for EU-lande)
  - i henhold til det europæiske direktiv 2012/19/EF om bortskaffelse af elektriske og elektroniske produkter og gældende national lovgivning, skal brugt elværktøj indsamles separat og bortskaffes på en måde, der skåner miljøet mest muligt
  - symbolet ⑥ erindrer dig om dette, når udskiftning er nødvendig
- **! Beskyt batteri terminaler med bredt tape for at undgå kortslutning**

## STØJ / VIBRATION

- Målt i henhold til EN62841, dette værktøjs lydtrykniveau er **87 dB (A)** og lydeffektniveauet er **98 dB (A)** (usikkert K = 3 dB) og vibrationen er **\***(triaksvektorsum; usikkert K = 1,5 m/s<sup>2</sup>)
  - \* savning af brædder 10,58m/s<sup>2</sup>
  - \* savning af træbjælke 8,46 m/s<sup>2</sup>
- Vibrationsniveauet er målt i henhold til den standardiserede test som anført i EN 62841. Det kan benyttes til at sammenligne to stykker værktøj og som en foreløbig bedømmelse af udsættelsen for vibrationer, når værktøjet anvendes til de nævnte form
  - anvendes værktøjet til andre formål eller med andet eller dårligt vedligeholdet tilbehør, kan dette **øge** udsættelsesniveauet betydeligt
  - de tidsrum, hvor værktøjet er slukket, eller hvor det kører uden reelt at udføre noget arbejde, kan reducere udsættelsesniveauet betydeligt
- **! Beskyt dig selv imod virkningerne af vibrationer ved at vedligeholde værktøjet og dets tilbehør, ved at holde dine hænder varme og ved at organisere dine arbejdsmonstre**

N

## Børsteløs og trådløs bajonetsag

3475

## INTRODUKSJON

- Dette verktøyet er beregnet for kapping av tre, plast, metall og byggematerialer samt for beskjæring og trimming av tre.
- Dette verktøyet er ikke beregnet for profesjonell bruk.
- Les og lagre denne bruksanvisningen.③

## TEKNISKE DATA ①

## VERKTØYELEMENTER ②

- A Blad
- B Pivot sko
- C Bladklemme
- D Tønnegrep
- E Ventilasjonsåpninger
- F Låseknapp
- G Bryter for av/på og hastighetskontroll
- H Håndtak
- J Knapp for batterinivåindikator
- K Doble LED-lys

## SIKKERHET

### GENERELLE SIKKERHETSADVARSLER FOR ELEKTROVERKTØY

**⚠ ADVARSEL** Les alle sikkerhetsadvarsler, instruksjoner, illustrasjoner og spesifikasjoner som følger med dette elektroverktøyet. Hvis du ikke følger alle instruksjonene nedenfor, kan det føre til elektrisk støt, brann og/eller alvorlig personskade.

Lagre alle advarsler og instruksjoner for fremtidig referanse.

Begrepet "elektrisk verktøy" i advarslene refererer til ditt nettdrevne (med ledning) elektroverktøy eller batteridrevne (trådløse) elektroverktøy.

### 1) SIKKERHET I ARBEIDSRÅDET

- a) **Hold arbeidsområdet rent og godt opplyst.** Rotete eller mørke områder gjør at ulykker lettere oppstår.
- b) **Ikke bruk maskinen i eksplosjonsfarlige omgivelser, for eksempel der det finnes brennbare væsker, gasser eller støv.** Elektroverktøy lager gnister som kan antenne støv eller damp.
- c) **Hold barn og andre personer unna når elektroverktøyet er i bruk.** Distraksjoner kan føre til at du mister kontrollen.

### 2) ELEKTRISK SIKKERHET

- a) **Støpselet til elektroverktøyet må passe inn i stikkkontakten. Støpselet må ikke modifiseres på noen som helst måte. Ikke bruk adapterstøpsler sammen med jordede elektroverktøy.** Støpsler det ikke er gjort endringer med og riktige stikkontakter reduserer risikoen for elektrisk støt.
- b) **Unngå kroppskontakt med jordede eller jordede overflater som rør, radiatorer, avstander og kjøleskap.** Det er økt risiko for elektrisk støt hvis kroppen din er jordet.
- c) **Ikke utsett elektroverktøy for regn eller våte omgivelser.** Kommer det vann inn i et elektroverktøy, øker risikoen for elektrisk støt.
- d) **Ikke utsett ledningen for feil behandling. Unngå å bære eller dra i verktøyet ved hjelp av ledningen, eller å dra i ledningen når du skal ta verktøyet ut av stikkkontakten. Hold ledningen på avstand fra varme, olje, skarpe kanter og bevegelige deler.** Skadede eller sammenfiltrede ledninger øker risikoen for elektriske støt.

- e) **Når du bruker et elektroverktøy utendørs må du bruke skjøteledning som er godkjent for dette.** Bruk av ledning som er egnet for utendørs bruk reduserer risikoen for elektrisk støt.
- f) **Hvis du ikke kan unngå å bruke verktøyet i fuktige omgivelser, så benytt en jordfeilbryter.** Bruk av jordfeilbryter reduserer risikoen for elektrisk støt.
- 3) PERSONLIG SIKKERHET**
- a) **Vær årvåken, se hva du gjør, og følg sunn fornuft når du bruker et elektroverktøy. Ikke bruk elektroverktøy når du er trøtt eller er påvirket av narkotika, alkohol eller medikamenter.** Et øyeblikks uoppmerksomhet mens du bruker elektroverktøy kan føre til alvorlige personskader.
- b) **Bruk personlig verneutstyr. Bruk alltid vernebriller.** Verneutstyr som støvmaske, sklisikre vernesko, hjelm eller horselsvern når omgivelsene krever det, reduserer risikoen for personskader.
- c) **Unngå utilsikket oppstart. Pass på at bryteren er i av-stilling før du kobler til strømkilden og/eller batteripakken, eller når du løfter og bærer verktøyet.** Å bære elektroverktøy med fingeren på bryteren eller koble til strøm når bryteren er på, skaper farlige situasjoner som kan føre til ulykker.
- d) **Fjern eventuelle justeringsnøkler før du slår på elektroverktøyet.** Et verktøy eller en nøkkel som sitter igjen i en roterende del av elektroverktøyet, kan føre til personskade.
- e) **Ikke strekk deg for langt. Pass på å ha skikkelig fotfeste og balanse til enhver tid.** Dette muliggjør bedre kontroll over elektroverktøyet i uventede situasjoner.
- f) **Kle deg riktig. Ikke bruk løse klær eller smykker. Hold hår og klær på avstand fra bevegelige deler.** Løse klær, smykker eller langt hår kan vikle seg inn i deler som beveger seg.
- g) **Hvis det følger med utstyr for tilkopling av støvavsug og oppsamlingsutstyr, skal disse kobles til og brukes riktig.** Bruk av støvopsamlingsutstyr kan redusere støvrelaterte farer.
- h) **Selv om du har opparbeidet deg erfaring gjennom hyppig bruk av verktøyet må du alltid være årvåken og følge sikkerhetsinstruksjonene.** Et ørlite øyeblikks uoppmerksomhet er alt som skal til for at alvorlige personskader kan oppstå.
- 4) BRUK OG VEDLIKEHOLD AV ELEKTROVERKTØY**
- a) **Ikke legg press på elektroverktøyet. Bruk et elektroverktøy som er egnet for det du skal gjøre.** Et egnet elektroverktøy vil gjøre jobben på en bedre og tryggere måte, i den hastigheten verktøyet er konstruert for.
- b) **Ikke bruk elektroverktøyet hvis bryteren ikke slår det på og av.** Elektroverktøy som ikke kan kontrolleres med bryteren er farlig og må repareres.
- c) **Koble støpselet fra strømkilden og/eller fjern batteripakken, hvis den kan tas av, fra elektroverktøyet før du foretar justeringer, skifter tilbehør eller oppbevarer elektroverktøy.** Slike forebyggende sikkerhetsiltak reduserer risikoen for at det elektriske verktøyet starter utilsikket.
- d) **Oppbevar elektroverktøy utilgjengelig for barn, og ikke la personer som ikke er kjent med verktøyet eller disse instruksjonene, betjene maskinen.**
- Elektroverktøy er farlige når de brukes av uerfarne personer.
- e) **Elektroverktøy og tilbehør må vedlikeholdes. Se etter feil justering eller binding av bevegelige deler, brudd på deler og andre forhold som kan påvirke verktøyet. Hvis det er skadet, må elektroverktøyet repareres før bruk.** Mange ulykker forårsakes av elektroverktøy som ikke er godt vedlikeholdt.
- f) **Hold skjæreverktøyet skjerpet og rent.** Riktig vedlikehold av skjæreverktøy med skarpe kanter gjør at det er mindre sannsynlighet for oppbinding, og at det er lettere å kontrollere.
- g) **Bruk elektroverktøyet, tilbehøret og verktøybitene etc., i samsvar med disse instruksjonene, under hensyntagen til arbeidsforholdene og arbeidet som skal utføres.** Bruk av elektroverktøy til andre formål enn det som er angitt, kan føre til farlige situasjoner.
- h) **Hold håndtakene og gripeflatene tørre, rene og fri for olje og fett.** Glatte håndtak og gripeflater vil gjøre det vanskelig å kontrollere verktøyet og håndtere det på en sikker måte i uventede situasjoner.
- 5) BRUK OG VEDLIKEHOLD AV BATTERIVERKTØY**
- a) **Lades bare med ladere som er spesifisert av produsenten.** En lader som passer for én type batteripakke, kan gi brannfare dersom den brukes med andre batteripakker.
- b) **Elektroverktøyet skal bare brukes med spesifiserte batteripakker.** Bruk av andre batteripakker kan skape risiko for skader og brann.
- c) **Når batteripakken ikke er i bruk, må du holde den borte fra andre metallgjenstander som binders, mynter, nøkler, spiker, skruer eller andre små metallgjenstander som kan opprette forbindelse fra en terminal til en annen.** Kortslutning av batteripolene kan forårsake brannskader eller brann.
- d) **Under farlige forhold kan væske komme ut av batteriet. Unngå kontakt. Hvis kontakt oppstår ved et uhell, skyl med vann. Får du væske i øynene, skal det i tillegg søkes medisinsk hjelp.** Væske som blir slynget ut av batteriet, kan forårsake irritasjon eller brannår.
- e) **Ikke bruk en batteripakke eller et verktøy som er skadet eller tilpasset.** Skadde eller modifiserte batterier kan oppføre seg uforutsigbart og medføre brann, eksplosjon eller risiko for personskade.
- f) **Ikke eksponer batteripakken eller verktøyet for ild eller svært høye temperaturer.** Eksponering for ild eller temperaturer over 130 °C kan forårsake eksplosjon.
- g) **Følg alle ladeinstruksjonene, og ikke lad batteripakken eller verktøyet utenfor temperaturområdet som er angitt i instruksjonene.** Hvis batteriet lades på feil måte eller ved temperaturer som er utenfor det angitte området, kan batteriet bli skadet og brannrisikoen øke.
- 6) SERVICE**
- a) **Elektroverktøyet må repareres av et kvalifisert serviceverksted som kan bruke identiske reservedeler.** Dette opprettholder sikkerheten til elektroverktøyet.
- b) **Batteripakker som er skadet, må aldri brukes.** Service på batteripakker må bare utføres av produsenten eller autoriserte tjenesteleverandører.



## SIKKERHETSINSTRUKSJONER FOR BØRSTELØSE STIKKSAGER

- **Hold elektroverktøyet i de isolerte gripeflatene når du utfører en operasjon der skjæretilbehøret kan komme i kontakt med skjulte ledninger** (skjæretilbehør som kommer i kontakt med en "strømførende" ledning kan gjøre eksponerte metalldeleler på elektroverktøyet "strømførende" og kan gi operatøren et elektrisk støt)
- **Bruk klemmer eller en annen praktisk måte å feste og støtte arbeidsstykket til en stabil plattform** (å holde arbeidsstykket for hånd eller mot kroppen gjør det ustabil og kan føre til tap av kontroll)

### TILBEHØR

- SKIL kan kun garantere et feilfritt verktøy dersom originaltilbehør brukes
- Bruk kun tilbehør med et godkjent turtall som er minst like høyt som verktøyets høyeste tomgangsturtall

### FØR BRUK

- Unngå skader som kan forårsakes av skruer, spiker og andre elementer i arbeidsstykket ditt; fjern dem før du begynner å jobbe
- **Bruk egnede detektorer for å finne skjulte ledninger eller ring det lokale forsyningsselskapet for å få hjelp** (kontakt med elektriske ledninger kan føre til brann eller elektrisk støt; skade på en gassledning kan resultere i en eksplosjon; penetrering av et vannrør vil forårsake skade på eiendom eller en elektrisk sjokk)

### PERSONLIG SIKKERHET

- Dette verktøyet bør ikke brukes av personer under 16 år
- **Ikke bearbeid materialer som inneholder asbest** (asbest anses som kreftfremkallende)
- Støv fra materialer som maling som inneholder bly, enkelte tresorter, mineraler og metall kan være skadelig (kontakt med eller innånding av støvet kan forårsake allergiske reaksjoner og/eller luftveissykdommer hos operatøren eller tilskuere); **bruk støvmaske og arbeid med en støvavsugingsenhet når den kan kobles til**
- Visse typer støv er klassifisert som kreftfremkallende (som eik og bøkstøv), spesielt i forbindelse med tilsetningsstoffer for trebehandling; **bruk støvmaske og arbeid med en støvavsugingsenhet når den kan kobles til**
- Følg de støvrelaterte nasjonale kravene for materialene du ønsker å jobbe med
- **Hold hendene unna skjæreamrådet og bladet; hold den andre hånden på tønnegrep D** (hvis begge hender holder sagen, kan de ikke kuttes av bladet)
- **Ikke nå under arbeidsstykket** (nærheten til bladet til hånden din er skjult for synet)
- **Hold aldri stykket som kuttes i hendene eller på tvers av benet** (det er viktig å støtte arbeidet ordentlig for å minimere kroppseksponering, knivbinding eller tap av kontroll)
- **Ikke bruk et sløvt eller skadet blad** (bøyde blader kan lett knekke eller forårsake tilbakeslag)
- **Bruk vernehansker når du fjerner bladet fra verktøyet** (sagbladet kan være varmt etter langvarig bruk)
- Bruk beskyttelsesbriller og hørselsvern

### BATTERIER

- **Batteriet som følger med er delvis oppladet** (for å sikre full kapasitet til batteriet, lad batteriet helt i batteriladeren før du bruker elektroverktøyet for første

gang)

- **Bruk kun følgende batterier og ladere med dette verktøyet**
  - SKIL-batteri: BR1\*31\*\*\*\*
  - SKIL-lader: CR1\*31\*\*\*\*
- Bruk ikke batteriet når det er skadet; det må byttes ut umiddelbart
- Ikke demonter batteriet
- Ikke utsett verktøyet/batteriet for regn
- Tillatt omgivelsestemperatur (verktøy/lader/batteri):
  - ved lading 4...40 °C
  - under drift -20 ...+50 °C
  - ved lagring -20 ...+50 °C

### FORKLARING AV SYMBOLER PÅ VERKTØY/BATTERI

- ③ Les bruksanvisningen før bruk
- ④ Batterier kan eksplodere når de kastes i brann, så ikke brenn batteriet av en eller annen grunn
- ⑤ Oppbevar verktøy/lader/batteri på steder der temperaturen ikke overstiger 50 °C
- ⑥ Ikke kast elektriske verktøy og batterier sammen med husholdningsavfall

## BRUK

- **Batteriladning**
  - ! les sikkerhetsadvarslene og instruksene levert med laderen
  - Fjerne/installere batteriet ②
  - Batterinivåindikator ⑦
    - trykk på batterinivåindikatorknappen J for å vise gjeldende batterinivå ⑦a
    - ! når det laveste nivået på batteriindikatoren begynner å blinke etter å ha trykket på knappen J ⑦b, er batteriet tomt
    - ! når 2 nivåer av batteriindikatoren begynner å blinke etter å ha trykket på knappen J ⑦c, er batteriet ikke innenfor det tillatte driftstemperaturområdet
  - Kombinert bryter for av/på og hastighetskontroll med låseknap ⑧ ⑨
    - Lås først opp ved å trykke på knappen F
    - slå på verktøyet ved å trykke på avtrekkeren G
    - kontroller hastigheten trinnløst fra null til maksimum ved å legge mindre eller mer trykk på avtrekkeren
    - slå av ved å slippe utløser G
  - Låseknap F kan aktiveres ⑧
    - hvis den er aktivert, blokkeres av/på-bryteren og maskinen er sikret mot å slås på utilsiktet
  - Doble LED-lys K ⑩
    - Doble LED-lys tennes automatisk når bryteren G aktiveres
    - ! når LED-lysene begynner å blinke, er batteribeskyttelsen aktivert (se nedenfor)
- Batteribeskyttelse
  - Verktøyet blir plutselig slått av eller forhindret fra å slås på, når
    - lasten er for høy --> fjern lasten og start på nytt
    - batteritemperaturen er ikke innenfor det tillatte driftstemperaturområdet på -20 til +50°C --> 2 nivåer av batterinivåindikatoren begynner å blinke når du trykker på knappen J ⑦c; vent til batteriet er tilbake innenfor det tillatte driftstemperaturområdet
    - batteriet er nesten tomt (for å beskytte mot dyp utlading) --> lavt batterinivå eller blinkende lavt

batterinivå ub vises av batterinivåindikatoren når du trykker på knappen J; lade batteriet

**! ikke fortsett å trykke på av/på-bryteren etter at verktøyet er slått av automatisk; batteriet kan være skadet**

- Montering av sagblad <sup>11</sup>

**! fjern batteriet fra verktøyet før du foretar justeringer eller bytter tilbehør**

  - vri bladklemmen C i samme retning som pilen på verktøyet og hold den i den posisjonen
  - sett inn bladet (med tennene vendt ned eller opp) til full dybde
  - frigjør bladklemmen C
  - skyv inn og trekk ut bladet for å sjekke om det er riktig låst
- Fjerning av sagblad <sup>11</sup>

**! fjern batteriet fra verktøyet før du foretar justeringer eller bytter tilbehør**

  - vri bladklemmen C i samme retning som pilen på verktøyet og hold den i den posisjonen
  - trekk ut bladet
  - frigjør bladklemmen C
- Betjening av verktøyet

**! klem fast arbeidsstykket**

  - merk skjærelinjen på arbeidsstykket
  - monter batteriet på verktøyet
  - hold verktøyet med den ene hånden på håndtaket H og den andre på det isolerte fatgrepet D
  - slå på verktøyet
  - før verktøyet langs den merkede skjærelinjen
  - hold dreieskoen B godt mot arbeidsstykket for å minimere motkraft og vibrasjoner
- Holde og styre verktøyet

**! mens du arbeider, hold alltid verktøyet ved de gråfargede grepsområdene <sup>12</sup>**

  - hold ventilasjonsåpninger E avdekket
  - ikke legg for mye press på verktøyet; la verktøyet gjøre jobben for deg

**! sørg for at sagbladet strekker seg utover arbeidet gjennom hele slaget <sup>13</sup>**
- Svinging av skoen <sup>14</sup>
  - trykk inn låseknappen F til låst posisjon og fjern deretter batteripakken fra verktøyet.
  - hold godt i sagen og vri deretter skoen B til ønsket vinkel, mens du passet på å unngå kontakt med bladet.
  - Sett inn batteriet på nytt og gjør klar til å kutte

## DRIFTSRÅD

- Dykkekutt <sup>15</sup>

Spaltekutt kan gjøres i tre og andre myke materialer uten forhåndsboring

  - bruk et tykt sagblad

**! fjern batteriet fra verktøyet før du foretar justeringer eller bytter tilbehør**

  - merk av den ønskede saglinjen på arbeidsemnet
  - vipp verktøyet slik at bladet ikke berører arbeidsemnet
  - slå på verktøyet og sett sagbladet forsiktig mot emnet
  - etter at bladet har gått inn i emnet, må du fortsette å sage langs saglinjen

**! ikke dykk kutt i metallmaterialer**
- Bruk de riktige sagbladene <sup>16</sup>
- Ved boring i metaller, smør sagbladet regelmessig med olje

- Splintfri saging
  - skjerm snittlinjen med flere lager av bred tape før man starter sagingen
  - sag alltid på baksiden av materialet
- For mer informasjon se [www.skil.com](http://www.skil.com)

## VEDLIKEHOLD / SERVICE

- Dette verktøyet er ikke beregnet for profesjonell bruk
- Hold alltid verktøyet rent (spesielt ventilasjonsåpninger E <sup>2</sup>)

**! fjern batteriet fra verktøyet før rengjøring**
- Hvis verktøyet skulle svikte til tross for forsiktighet i produksjons- og testprosedyrene, bør reparasjonen utføres av et ettersalgsservicesenter for SKIL elektroverktøy
  - Send verktøyet demontert sammen med kjøpsbevis til din forhandler eller nærmeste SKIL -servicestasjon (adresser samt servicediagram for verktøyet er oppført på [www.skil.com](http://www.skil.com))
- Vær klar over at skade som skyldes overbelastning eller feilbehandling av verktøyet ikke dekkes av garantien (for SKIL garantibetingelser se [www.skil.com](http://www.skil.com) eller spør din forhandler)

## MILJØ

- Ikke kast elektrisk verktøy, batterier, tilbehør og emballasje sammen med husholdningsavfall (bare for EU-land)
  - i henhold til EU-direktiv 2012/19/EF om kasserte elektriske og elektroniske produkter og direktivets iverksetting i nasjonal rett, må elektroverktøy som ikke lenger skal brukes, samles separat og returneres til et miljøvennlig gjenvinningsanlegg
  - symbolet <sup>6</sup> vil minne deg på dette når behovet for avhending oppstår
- ! Beskytt batteripolene med kassett for kassering for å unngå kortslutning**

## STØY / VIBRASJON

- Målt i henhold til EN 62841 er lydtryknivået til dette verktøyet **87 dB(A)** og lydeffektnivået **98 dB(A)** (usikkerhet K = 3 dB), og vibrasjonen \* (triax vektorsum; usikkerhet K = 1,5 m/s<sup>2</sup>)  
**\* skjærebrett 10,58 m/s<sup>2</sup>**  
**\* skjæring av trebjelker 8,46 m/s<sup>2</sup>**
- Vibrasjonsnivået er målt i samsvar med en standardisert test som er angitt i EN 62841; den kan brukes til å sammenligne et verktøy med et annet, og som et foreløpig overslag over eksponering for vibrasjoner ved bruk av verktøyet til de oppgavene som er nevnt
  - bruk av verktøyet til forskjellige bruksområder, eller med annet eller dårlig vedlikeholdt tilbehør, kan **øke** eksponeringsnivået betydelig
  - tidspunktene når verktøyet er slått av eller når det kjører, men ikke faktisk gjør jobben, kan redusere eksponeringsnivået betydelig
- ! Beskytt deg selv mot vibrasjonseffekter ved å vedlikeholde verktøyet og dets tilbehør, holde hendene varme og organisere arbeidsmønstrene dine**

## Harjaton akkupuukkosaha

3475

### ESITTELY

- Tämä työkalu on tarkoitettu puun, muovin, metallin ja rakennusmateriaalien sahaukseen sekä puiden karsimiseen ja leikkaamiseen.
- Tätä työkalua ei ole tarkoitettu ammattikäyttöön.
- Lue ja säilytä tämä ohjekirja. ③

### TEKNISET TIEDOT ①

### TYÖKALUN OSAT ②

- A Terä
- B Kääntyvä kenkä
- C Teränpidike
- D Tukikahva
- E Ilmanvaihto-aukot
- F Lukituspainike
- G On/off- ja nopeudensäätökytkin
- H Kahva
- J Akun varaustason ilmaisinpainike
- K Kaksi LED-valoa

### TURVALLISUUS

#### YLEISET SÄHKÖTYÖKALUJEN TURVALLISUUSVAROITUKSET

**VAROITUS** Lue kaikki tämän sähkötyökalun mukana tulleet turvallisuusvaroitukset, ohjeet, piirustukset ja tekniset tiedot. Jos kaikkia alla olevia ohjeita ei noudateta, seurauksena saattaa olla sähköisku, tulipalo ja/tai vakava loukkaantuminen.

Säilytä kaikki varoitukset ja ohjeet myöhempää käyttöä varten.

Varoituksissa käytetty termi ”sähkötyökalu” tarkoittaa joko verkkovirtakäyttöistä (johdollista) sähkötyökalua tai akkukäyttöistä (johdotonta) sähkötyökalua.

#### 1) TYÖALUEEN TURVALLISUUS

- a) Pidä työskentelyalue siistinä ja hyvin valaistuna. Sotkuiset tai hämärät alueet aiheuttavat onnettomuuksia.
- b) Älä käytä sähkötyökaluja räjähdysherkässä ympäristössä, kuten syttyvien nesteiden, kaasujen tai pölyn läheisyydessä. Sähkötyökalut saattavat aiheuttaa kipinöitä, jotka voivat sytyttää tomin tai höyryjä.
- c) Älä päästä lapsia tai sivullisia lähelle, kun käytät sähkötyökaluja. Häiriötekijät voivat aiheuttaa hallinnan menettämisen.

#### 2) SÄHKÖTURVALLISUUS

- a) Sähkötyökalun pistotulpan on vastattava pistorasiaa. Älä ikinä muokkaa pistotulppaa millään tavalla. Älä käytä minkäänlaisia sovittipistotulppia maadoitettujen sähkötyökalujen kanssa. Muokkaamattomat pistotulpat ja niihin sopivat pistorasiat

vähentävät sähköiskun vaaraa.

- b) Vältä koskemasta vartalollasi maadoitettuihin pintoihin, kuten putkiin, lämmityspattereihin, liesiin ja jääkaappeihin. Sähköiskun riski kasvaa, jos kehosi on maadoitettu.
  - c) Älä altista sähkötyökaluja sateelle tai kosteudelle. Sähkötyökaluun pääsevä vesi lisää sähköiskun vaaraa.
  - d) Älä väärinkäytä johtoa. Älä koskaan kannata tai vedä laitetta johdosta tai irrota pistoketta pistorasiasta johdosta vetämällä. Pidä johto poissa tulen, öljyn, terävien reunojen tai liikkuvien osien läheltä. Vahingoittuneet tai sotkeutuneet johdot lisäävät sähköiskun vaaraa.
  - e) Kun käytät sähkötyökalua ulkona, käytä ulkokäyttöön tarkoitettua jatkojohtoa. Ulkokäyttöön tarkoitettujen jatkojohdon käyttö vähentää sähköiskun riskiä.
  - f) Jos et voi välttää sähkötyökalun käyttöä kosteissa olosuhteissa, käytä vikavirtasuojakytkimellä (vvs) suojattua virtalähdettä. Vikavirtasuojakytkimen käyttö vähentää sähköiskun vaaraa.
- #### 3) HENKILÖKOHTAINEN TURVALLISUUS
- a) Ole valpas, tarkkaavainen ja käytä maalaisjärkeä, kun käytät sähkötyökalua. Älä käytä sähkötyökalua, jos olet väsynyt tai huumeiden, alkoholin tai lääkkeiden vaikutuksen alaisena. Hetkellinenkin huomion herpaantuminen sähkötyökalua käytettäessä saattaa aiheuttaa vakavan henkilökohtaisen vamman.
  - b) Käytä henkilönsuojaimia. Käytä aina silmäsuojaimia. Suojavarusteiden, kuten hengityssuojaimen, luistamattomien turvakengien, suojakypärän tai kuulosuojaimien, käyttö tarvittaessa vähentää loukkaantumisvaaraa.
  - c) Estä vahingossa käynnistyminen. Varmista, että kytkin on off-asennossa, ennen kuin liität virtalähteen ja/tai akun, nostat laitteen tai kannat sitä. Työkalun kantaminen sormi virtakytkimellä tai virta kytkettynä olevan työkalun liittäminen pistorasiaan muodostaa onnettomuusvaaran.
  - d) Poista kaikki säätöön käytetyt avaimet tai kiintoavaimet ennen kuin käynnistät sähkötyökalun. Sähkötyökalun pyörivään osaan jätetty avain tai kiintoavain saattaa aiheuttaa henkilövamman.
  - e) Älä kurkottele. Säilytä aina tukeva asento ja hyvä tasapaino. Näin hallitset sähkötyökalun parhaalla mahdollisella tavalla odottamattomissa tilanteissa.
  - f) Pukeudu asianmukaisesti. Älä käytä väljiä vaatteita tai koruja. Pidä hiukset ja vaatteet etäällä liikkuvista osista. Väljät vaatteet, korut tai pitkät hiukset voivat tarttua kiinni liikkuviin osiin.
  - g) Jos laitteissa on liitännät pölynpoistolaitteille ja keräilylaitteille, varmista, että ne on liitetty ja niitä käytetään oikein. Pölynpoistolaitteiden käyttö vähentää pölyyn liittyviä vaaroja.
  - h) Älä anna tuotteen tuttuuden toistuvan käytön takia tehdä sinua liian itsevarmaksi, äläkä jätä työkalun turvallisuusohjeita noudattamatta. Huolimaton toiminta voi aiheuttaa vakavan henkilövahingon sekunnin murto-osassa.
- #### 4) SÄHKÖTYÖKALUJEN KÄYTTÖ JA KUNNOSSAPITO
- a) Älä pakota sähkötyökalua. Käytä omaan käyttötarkoitukseesi soveltuvaa sähkötyökalua. Oikea sähkötyökalu suorituu parhaiten ja turvallisimmin

tehtävästä sille tarkoitettulla nopeudella.

- b) **Älä käytä sähkötyökäluä, jos sitä ei saa käynnistettyä ja suljettua kytkimellä.** Sähkötyökäluun, jota ei voida hallita kytkimellä, käyttö on vaarallista ja laite on korjattava.
- c) **Irrota pistotulppa virtalähteestä ja/tai irrota akku sähkötyökäluästä, jos irrotettavissa, ennen kuin teet mitään säätöjä, vaihdat apuvälineitä tai laitat sähkötyökäluun varastoon.** Nämä estävät turvallisuustoimenpiteet vähentävät sähkötyökäluun vahingossa käynnistämisen riskiä.
- d) **Säilytä käyttämättömiä sähkötyökäluja lasten ulottumattomissa, äläkä anna henkilöiden, jotka eivät tunne sähkötyökäluä tai näitä ohjeita, käyttää sähkötyökäluun.** Sähkötyökälu voi vaarallista kokemattomien käyttäjien käsissä.
- e) **Huolla sähkötyökäluä ja lisävarusteet.** Tarkista, että liikkuvat osat ovat kunnolla paikallaan, että osat ovat ehjiä, ja että sähkötyökäluä ei ole muita ongelmia, jotka saattaisivat vaikuttaa sen toimintaan. Jos sähkötyökälu on vahingoittunut, korjautu se ennen käyttöä. Monet onnettomuudet johtuvat huonosti ylläpidetyistä sähkötyökäluista.
- f) **Pidä leikkuutyökäluä terävänä ja puhtaina.** Oikein huolletut leikkuutyökäluä, joissa on terävät leikkuureunat, eivät todennäköisesti jumiudu, ja niitä on helpompi hallita.
- g) **Käytä sähkötyökäluja, lisävarusteita ja teriä ym. näiden ohjeiden mukaisesti ja niin, että otat huomioon käyttöolosuhteet ja tehtävän työn.** Sähkötyökälujen käyttö muuhin kuin niille suunniteltuihin tarkoituksiin saattaa aiheuttaa vaaratilanteen.
- h) **Pidä kahvat ja tartuntapinnat kuivina, puhtaina, öljyttöminä ja rasvattomina.** Liukkaat kahvat ja tartuntapinnat eivät mahdollista työkalun turvallista käsittelyä ja hallintaa odottamattomissa tilanteissa.
- 5) **AKKUTYÖKÄLUN KÄYTTÖ JA KUNNOSSAPITO**
- a) **Lataa vain valmistajan määrittelemällä laturilla.** Laturi, joka sopii yhdentymäiselle akulle voi aiheuttaa tulipalovaaran, jos sitä käytetään toisenlaisen akun kanssa.
- b) **Käytä sähkötyökäluissa vain erityisesti niihin tarkoitettuja akkuja.** Muunlaisten akkujen käyttö saattaa aiheuttaa henkilövahingon tai tulipalon vaaran.
- c) **Kun akku ei ole käytössä, pidä se poissa metalliesineiden, kuten paperiliitinten, kolikoiden, avainten, naulojen, ruuvien tai muiden pienten metalliesineiden, läheltä, jotta ne eivät voi liittää yhtä napaa toiseen.** Akun napojen oikosulku voi aiheuttaa palovammoja tai tulipalon.
- d) **Akusta voi valua nestettä väärästä käytöstä johtuen. Vältä kosketusta nesteeseen. Jos kosketusteeseen vahingossa, huuhtelee vedellä. Jos nestettä pääsee silmiin, hakeudu lääkärin hoitoon.** Akusta valuva neste voi aiheuttaa ärsytystä tai palovammoja.
- e) **Älä käytä akkuä tai työkaluä, joka on vaurioitunut tai jota on muutettu.** Vaurioituneet tai muutetut akut voivat käyttäytyä arvaamattomasti ja aiheuttaa tulipalon, räjähdysten tai henkilövahingon vaaran.
- f) **Älä altista akkuä tai työkaluä tullelle tai äärimmäisille lämpötiloille.** Altistaminen yli 130 °C:n lämpötilalle voi aiheuttaa räjähdysten.
- g) **Noudata kaikkia latausohjeita. Älä lataa akkuä tai**

**työkäluä lämpötillassa, joka ole ohjeissa ilmoitetun lämpötila-alueen sisällä.** Virheellinen lataaminen tai lataaminen ilmoitetun lämpötila-alueen ulkopuolella olevassa lämpötilassa voi vaurioittaa akkuä ja lisätä palovaaraa.

## 6) HUOLTO

- a) **Huollata sähkötyökäluäsi asiantuntevalla korjaajalla, joka käyttää vain identtisiä varaosia.** Näin taataan sähkötyökäluun turvallisuuden säilyminen.
- b) **Älä koskaan huolla vaurioituneita akkuja.** Akkujen huollon saa tehdä vain valmistaja tai sen valtuuttamat huoltoilikeet.

## HARJATTOMIEN AKKUPUUKKOSAHOJEN TURVALLISUUSOHJEET

- **Tartu sähkötyökäluun eristetyistä tartuntapinnoista, koska leikkuuterät voivat osua piilossa oleviin johtoihin** (leikkuuterän kosketus "jännitteeseen" johtoon voi saattaa sähkötyökäluun paljaat metalliosat jännitteisiksi ja voi aiheuttaa sähköiskun käyttäjälle)
- **Tue työstettävä kappale tukevaan tasoon puristimilla tai muulla käytännöllisellä tavalla** (työkappaleen pitäminen käsin tai kehoa vasten on epävakaata ja voi aiheuttaa hallinnan menetyksen)

## VARUSTEET

- SKIL pystyy takaamaan työkalun moitteettoman toiminnan vain, kun käytetään alkuperäisiä tarvikkeita
- Käytä vain tarvikkeita, joiden sallittu kierrosnuku on vähintään yhtä suuri kuin laitteen suurin tyhjäkäyntikierrosnuku

## ENNEN KÄYTTÖÄ

- Vältä vaaralliset vahingot, jotka voivat aiheuttaa nauloista, ruuveista tai muista aineista työstettävässä materiaalissa; poista ne ennen työskentelyä aloittamista
- **Käytä sopivia etsintälaitteita piilossa olevien syöttöjohtojen paikallistamiseksi tai käänny paikallisen jakeluyltiön puoleen** (kosketus sähköjohtoon saattaa johtaa tulipaloon ja sähköiskuun; kaasuputken vahingoittaminen saattaa johtaa räjähdykseen; vesiputkeen tunkeutuminen aiheuttaa aineellista vahinkoa tai saattaa johtaa sähköiskuun)

## HENKILÖKOHTAINEN TURVALLISUUS

- Tätä työkaluä eivät saa käyttää alle 16-vuotiaat henkilöt
- **Älä koskaan työstä asbestipitoista ainetta** (asbestia pidetään karsinogeenisena)
- Sellaisista materiaaleista, kuten lyijypitoinen maali, jotkin puulajit, mineraalit ja metalli, tuleva pöly voi olla vahingollista (pölyn kanssa kosketuksiin joutuminen tai sen sisään hengittäminen voi aiheuttaa käyttäjälle tai sivullisille allergiareaktioita ja/tai hengityselinten sairauksia); **käytä hengityssuojainta ja työskentele pölynpoistolaitteen kanssa, kun sellainen on liitettävissä**
- Tietätyyppiset pölyt on luokiteltu karsinogeenisiksi (kuten tammii- ja pyökkipöly) erityisesti puun käsittelyyn käytettävien lisäaineiden yhteydessä; **käytä hengityssuojainta ja työskentele pölynpoistolaitteen kanssa, kun sellainen on liitettävissä**
- Noudata maakohtaisia pölyn liittyviä sääntöjä
- **Pidä kädet poissa sahausalueelta ja terästä; pidä toinen käsi tukikahvalla D** (jos molemmat kädet pitävät kiinni sahasta, terä ei pääse koskettamaan niitä)
- **Älä kurota työkaluä alapuolelle** (terän etäisyys kateesi on piilossa)

- **Älä koskaan pidä sahattavaa työkalua kädessäsi tai jalkojesi päällä poikittain** (työkalu on tärkeää tukea asianmukaisesti keholle aiheutuvien vaarojen, terän kiinnittartumisen tai hallinnan menettämisen minimoimiseksi)
- **Älä käytä tylsiä tai vaurioituneita teriä** (taipuneet terät voivat murtua helposti tai aiheuttaa takapotkun)
- **Käytä suojakäsineitä, kun irrotat terän työkalusta** (sahanterä voi olla kuuma pitkäaikaisen käytön jälkeen)
- Käytä suojalaseja ja kuulonsuojaimia

#### AKUT

- **Akku toimitetaan osittain ladattuna** (varmista akun suoritus-teho lataamalla akku aivan täyteen akkulaturilla ennen sähkötyökalun ensimmäistä käyttökertaa)
- **Käytä työkalun kanssa vain seuraavia akkuja ja latureita**
  - SKIL-akku: BR1\*31\*\*\*\*
  - SKIL-laturi: CR1\*31\*\*\*\*
- Älä käytä vahingoittunutta akkua, vaan vaihda se
- Älä pura akkua
- Suojaa työkalu/akku sateelta
- Sallittu ympäristön lämpötila (työkalu/laturi/akku):
  - ladattaessa 4...40 °C
  - käytön aikana -20...+50 °C
  - varastoinnin aikana -20...+50 °C

#### TYÖKALUN/AKUN SYMBOLIEN SELITYKSET

- ③ Lue käyttöohjeet ennen käyttöä
- ④ Akut räjähtävät, jos ne hävitetään polttamalla, joten älä missään tapauksessa polta niitä
- ⑤ Säilytä työkalua/laturia/akkua paikoissa, joissa lämpötila ei ole yli 50 °C
- ⑥ Älä hävitä sähkötyökaluja ja akkuja tavallisen kotitalousjätteen mukana

## KÄYTTÖ

- **Akun lataaminen**
  - ! lue kaikki laturin mukana tulevat turvallisuusvaroitukset ja -ohjeet
- Akun irrottaminen/asentaminen ②
- Akun lataustilan ilmaisin ⑦
  - painamalla akun varaustason ilmaispainiketta J näet akun nykyisen varaustason ⑦a
  - ! kun akun ilmaisimen alin taso alkaa vilkkua painikkeen J ⑦b painamisen jälkeen, akku on tyhjä
  - ! kun akun ilmaisimen 2 tasoa alkaa vilkkua painikkeen J ⑦c painamisen jälkeen, akku ei ole sallitulla käyttölämpötila-alueella
- Yhdistetty on/off-kytkin ja nopeudensäätö lukituspainikkeella ⑧ ⑨
  - avaa ensin lukitus painamalla painiketta F
  - käynnistä työkalu vetämällä liipaisinta G
  - valitse nopeus portaattomasti nolasta maksiminopeuteen painamalla liipaisinta enemmän tai vähemmän
  - sammuta vapauttamalla liipaisin G
- Lukituspainike F voidaan aktivoida ⑧
  - jos se on aktivoitu, on/off-kytkin on estetty ja kone on suojattu tahattomalta päälle kytkemiseltä
- Kaksi LED-valot K ⑩
  - Kaksi LED-valoa syttyy automaattisesti, kun kytkin G aktivoidaan
  - ! kun LED-valot alkavat vilkkua, akun suojaus on

#### aktivoitunut (katso alta)

- Akun suojaus
  - Työkalu sammuu automaattisesti tai sitä ei voi kytkeä päälle, jos
    - **kuormitus on liian suuri** -> vähennä kuormitusta ja käynnistä uudelleen
    - **akun lämpötila ei ole sallitulla käyttölämpötila-alueella -20...+50 °C** --> 2 akun varaustason valoa alkaa vilkkua, kun painat painiketta J ⑦c; odota, kunnes akku on sallitulla käyttölämpötila-alueella uudelleen
    - **akku on lähes tyhjä (suojaus syväpurkautumista vastaan)** --> alhainen akun varaustaso tai vilkkuva akun alhainen taso ub näkyy akun lataustason ilmaisimessa, kun painat painiketta J; lataa akku
    - ! **älä jatka virtakytkimen painamista sen jälkeen, kun kone on kytketty pois päältä automaattisesti; akku voi vaurioitua**
- Sahanterän kiinnittäminen ⑪
  - ! **irrota akku työkalusta ennen säätöjen tekemistä tai tarvikkeiden vaihtamista**
  - käännä teränpidikettä C työkalussa olevan nuolen suuntaan ja pidä se siinä asennossa
  - työnnä terä (hampaat alas- tai ylöspäin) täysin sisään
  - vapauta teränpidike C
  - paina terää sisään ja vedä ulos, jotta voit varmistaa, että se on kunnolla paikallaan
- Sahanterän irrottaminen ⑪
  - ! **irrota akku työkalusta ennen säätöjen tekemistä tai tarvikkeiden vaihtamista**
  - käännä teränpidikettä C työkalussa olevan nuolen suuntaan ja pidä se siinä asennossa
  - vedä terä ulos
  - vapauta teränpidike C
- Työkalun käyttö
  - ! **kiinnitä työkalu kunnolla**
  - kiinnitä työstettävä kohde kunnolla
  - asenna akku työkaluun
  - pidä työkalua siten, että pidät toisella kädellä kiinni kahvasta H ja toisella eristetystä tukikahvasta D
  - käynnistä kone
  - ohjaa työkalua merkittyä sahauslinjaa pitkin
  - pidä kääntyvä kenkä B tukevasti työstettävää työkalua vasten vastavoiman ja tärinän minimoimiseksi
- Koneen pitely ja ohjaaminen
  - ! **pidä aina työskentelyn aikana kiinni työkalun harmaista tartunta-alueista** ⑫
  - pidä tuuletusaukot E vapaina
  - älä paina työkalua liian voimakkaasti; vaan anna työkalun tehdä työ puolestasi
  - ! **varmista, että sahanterä ulottuu työhön koko iskun pituudelta** ⑬
- Kengän kääntäminen ⑭
  - paina lukituspainike F lukittuun asentoon ja poista sitten akku työkalusta.
  - pidä sahaa tiukasti kiinni ja käännä sitten kenkä B haluttuun kulmaan samalla kun vältät koskettamasta terää.
  - asenna akku uudelleen ja valmistaudu sahaamaan

## VINKKEJÄ

- Pistosahaus ⑮

Pistoreikiä voidaan tehdä puuhun ja muihin pehmeisiin materiaaleihin ilman reiän esiporaamista

- käytä paksua sahanterää

**! irrota akku työkalusta ennen säätöjen tekemistä tai tarvikkeiden vaihtamista**

- merkitse haluttu sahauslinja työstettävään kohteeseen

- kallista työkalua siten, että terä ei koske työstettävään kohteeseen

- kytke työkalu päälle ja aseta liikkuva sahanterä varovasti työstettävään kohteeseen

- kun terä on läpäissyt työstettävän kohteen, jatka sahaamista merkittyä sahauslinjaa pitkin

**! älä tee pistosahauksia metallimateriaaleja**

- Käytä oikeita sahanteriä <sup>(16)</sup>
- Metallia sahattaessa voitele sahanterä öljyllä säännöllisin väliajoin
- Repeämätön katkaisusahaus
  - peitä sahauslinja useilla kerroksilla teippiä ennen sahauksen suorittamista
  - aseta työstettävänä olevan kappaleen hyvä puoli aina alaspäin
- Lisätietoja on osoitteessa [www.skil.com](http://www.skil.com)

## HOITO / HUOLTO

- Tätä työkalua ei ole tarkoitettu ammattikäyttöön
- Pidä työkalu aina puhtaana (erityisesti ilmanvaihtoreiät E <sup>(2)</sup>)
- **! irrota akku työkalusta ennen puhdistamista**
- Jos työkalu ei huolellisesta valmistuksesta ja koestusmenettelystä huolimatta toimi asianmukaisella tavalla, tulee laitteen korjaus antaa SKIL-huoltokeskuksen tehtäväksi
  - toimita työkalu ostotositteen kanssa ja osiin purkamatta jälleenmyyjälle tai lähimpään SKIL-huoltokeskukseen (osoitteet ja työkalun huoltokaavio löytyvät web-sivustolta [www.skil.com](http://www.skil.com))
- Ota huomioon, että takuu ei kata työkalun ylikuorimituksesta tai väärästä käsittelystä johtuvia vahinkoja (katso SKIL-takuuehdot osoitteesta [www.skil.com](http://www.skil.com) tai kysy jälleenmyyjältä)

## YMPÄRISTÖNSUOJELU

- Älä hävitä sähkötyökalua, akkuja, paristoja, tarvikkeita tai pakkausta tavallisen kotitalousjätteen mukana (koskee vain EU-maita)
  - vanhoja sähkö- ja elektroniikkalaitteita koskevan EU-direktiivin 2012/19/EY ja sen maakohtaisten sovellusten mukaisesti käytetyt sähkötyökalut on toimitettava ongelmajätteen keräyspisteeseen ja ohjattava ympäristöystävälliseen kierrätykseen
  - symboli <sup>(6)</sup> muistuttaa tästä, kun käytöstä poisto tulee ajankohtaiseksi
- **! poistaessasi akun käytöstä peitä plus- ja miinusnapa sähköteipillä oikosulun estämiseksi**

## MELU/TÄRINÄ

- Mitattuna standardin EN 62841 mukaan tämän työkalun äänenpaineen taso on **87 dB (A)** ja äänitehotaso **98 dB (A)** (epävarmuus  $K = 3 \text{ dB}$ ) ja tärinä \* (kolmeakselisen vektorin summa; epävarmuus  $K = 1,5 \text{ m/s}^2$ )
  - \* laudan sahaaminen **10,58 m/s<sup>2</sup>**
  - \* puupalkkien sahaaminen **8,46 m/s<sup>2</sup>**

- Tärinäsäteilytaso on mitattu standardin EN 62841 mukaisen standarditestin mukaisesti; sitä voidaan käyttää verrattaessa yhtä laitetta toiseen sekä alustavana tärinälle altistumisen arviona käytettäessä työkalua manituissa käyttötarkoituksissa
  - työkalun käyttö eri käyttötarkoituksiin tai erilaisten tai huonosti huollettujen lisävarusteiden kanssa voi **nostaa** merkittävästi altistumistasoa
  - työkalun ollessa sammuksissa tai kun se on käynnissä, mutta sillä ei tehdä työtä, altistumistaso voi alentua merkittävästi
- **! suojaudu tärinän vaikutuksilta huoltamalla työkalu ja sen lisävarusteet, pitämällä kädet lämpiminä ja organisoimalla työmenetelmät**

E

## Sierra sable sin cable ni escobillas

3475

## INTRODUCCIÓN

- Esta herramienta está diseñada para cortar madera, plástico, metal y materiales de construcción, así como para podar y recortar árboles.
- Esta herramienta no está concebida para uso profesional.
- Lea y conserve este manual de instrucciones.<sup>(3)</sup>

## DATOS TÉCNICOS <sup>(1)</sup>

## ELEMENTOS DE LA HERRAMIENTA <sup>(2)</sup>

- A Cuchilla
- B Zapata giratoria
- C Abrazadera de la hoja
- D Empuñadura del tambor
- E Ranuras de ventilación
- F Botón de bloqueo
- G Interruptor para encendido/apagado y control de velocidad
- H Asa
- J Botón del indicador del nivel de batería
- K Luces LED dobles

## SEGURIDAD

### MEDIDAS DE SEGURIDAD GENERALES PARA HERRAMIENTAS ELÉCTRICAS

**! ADVERTENCIA** Lea todas las advertencias de seguridad, instrucciones, ilustraciones y especificaciones incluidas con esta herramienta eléctrica. Si no se cumplen todas las instrucciones que se enumeran a continuación, pueden producirse descargas eléctricas, incendios o lesiones graves.

**Conserve todas las instrucciones y advertencias para poder consultarlas en el futuro.**

El término «herramientas eléctricas» que aparece en las advertencias se refiere tanto a las herramientas que funcionan conectadas a la red eléctrica (con cable) como a



las que funcionan con batería (inalámbricas).

### 1) SEGURIDAD EN LA ZONA DE TRABAJO

- a) **Mantenga la zona de trabajo limpia y bien iluminada.** Las áreas de trabajo desordenadas y oscuras favorecen los accidentes.
- b) **No ponga en funcionamiento las herramientas eléctricas en entornos explosivos como, por ejemplo, donde haya líquidos inflamables, gases o polvo.** Las herramientas eléctricas generan chispas que podrían actuar como detonante de vapores y partículas de polvo inflamables.
- c) **Mantenga a los niños y las demás personas alejados cuando esté utilizando una herramienta eléctrica.** Las distracciones podrían hacerle perder el control de la herramienta.

### 2) SEGURIDAD ELÉCTRICA

- a) **El enchufe de la herramienta eléctrica debe corresponder con la toma de corriente. No modifique nunca el enchufe de ningún modo. Nunca utilice enchufes adaptadores o ladrones de corriente con herramientas eléctricas equipadas con conexión a tierra.** Si no se modifican los enchufes y estos corresponden con las tomas de corriente, se reducirán enormemente los riesgos de electrocución.
- b) **Evite cualquier contacto corporal con superficies conectadas a tierra, como tuberías, radiadores, hornillos eléctricos y frigoríficos.** Existe un mayor riesgo de descarga eléctrica si su cuerpo tiene conexión a tierra.
- c) **No exponga las herramientas eléctricas a la lluvia o a la humedad.** Si penetra agua en una herramienta eléctrica, aumentará el riesgo de descarga eléctrica.
- d) **No maltrate el cable. Nunca utilice el cable para transportar, arrastrar o desenrollar la herramienta eléctrica.** Mantenga el cable alejado del calor, el aceite, los bordes afilados o las piezas móviles. Los cables dañados o enredados aumentan el riesgo de descarga eléctrica.
- e) **Cuando use una herramienta eléctrica al aire libre, utilice un cable alargador adecuado para uso en exteriores.** Si se usa un cable adecuado para exteriores, se reducirá el riesgo de descarga eléctrica.
- f) **Utilice un interruptor diferencial (RCD) si debe utilizar la herramienta eléctrica en un lugar húmedo.** La utilización de un interruptor de protección diferencial reducirá el riesgo de electrocución.

### 3) SEGURIDAD PERSONAL

- a) **Manténgase alerta, preste atención a lo que está haciendo y aplique el sentido común durante el uso de una herramienta eléctrica. No use una herramienta eléctrica cuando esté cansado o bajo la influencia de drogas, alcohol o medicación.** Cuando se están usando herramientas eléctricas, cualquier falta de atención, aunque sea por un instante, puede provocar lesiones graves.
- b) **Utilice equipo de protección personal. Utilice siempre protección ocular.** El equipo de protección, como máscaras antipolvo, calzado de seguridad antideslizante, casco protector o protección auditiva, cuando se utiliza adecuadamente, reduce las lesiones personales.
- c) **Evite la puesta en marcha accidental de la**

**herramienta. Asegúrese de que el interruptor**

**de encendido se encuentra en la posición de**

**apagado antes de enchufar la herramienta a la**

**red eléctrica y/o de acoplar la batería, así como al**

**agarrar o transportar la herramienta.** Transportar

herramientas eléctricas con el dedo en el interruptor o

con el interruptor en la posición de encendido aumenta

el riesgo de accidente.

- d) **Retire cualquier llave de ajuste o llave inglesa de la herramienta antes de encenderla.** Una llave inglesa o una llave de ajuste enganchada a una parte giratoria de la herramienta puede producir lesiones.
  - e) **No se estire demasiado para alcanzar lugares de difícil acceso. Mantenga una posición firme y equilibrada en todo momento.** De este modo podrá controlar mejor la herramienta eléctrica en situaciones inesperadas.
  - f) **Utilice ropa adecuada. No lleve ropa holgada ni joyas. Mantenga el pelo, la ropa y los guantes alejados de las piezas móviles.** La ropa holgada, así como las joyas o el pelo largo podrían engancharse en las partes móviles.
  - g) **Si se incluyen dispositivos de conexión a extractores y colectores de polvo, asegúrese de conectarlos y utilizarlos adecuadamente.** El uso de un colector de polvo puede reducir los riesgos asociados con el polvo.
  - h) **El hecho de haberse familiarizado con la herramienta por el uso frecuente no debe hacer que se descuide e ignore los principios de seguridad.** Una distracción puede provocar lesiones graves en una fracción de segundo.
- ### 4) UTILIZACIÓN Y CUIDADO DE LAS HERRAMIENTAS ELÉCTRICAS
- a) **No fuerce la herramienta eléctrica. Utilice la herramienta eléctrica adecuada para la tarea que vaya a realizar.** La herramienta correcta funcionará mejor y con más seguridad a la velocidad para la que ha sido diseñada.
  - b) **No use la herramienta si el interruptor no funciona para encenderla y apagarla.** Toda herramienta que no se puede controlar con el interruptor es peligrosa y debe repararse.
  - c) **Desconecte el enchufe de la toma de corriente o retire la batería de la herramienta antes de realizar algún ajuste, cambiar de accesorios o guardarla.** Estas medidas de seguridad reducen el riesgo de que la herramienta se ponga en marcha por accidente.
  - d) **Guarde las herramientas eléctricas apagadas fuera del alcance de niños y no deje que las usen personas que no estén familiarizadas con estas instrucciones o con las herramientas.** Las herramientas eléctricas son peligrosas si las usan personas sin experiencia.
  - e) **Cuide las herramientas eléctricas y sus accesorios. Compruebe si hay elementos móviles desalineados o trabados, piezas rotas u otra circunstancia que pueda afectar al funcionamiento de la herramienta. Si la herramienta eléctrica está dañada, llévela a reparar antes de usarla.** Muchos accidentes se deben a un mantenimiento deficiente de las herramientas eléctricas.
  - f) **Mantenga las herramientas de corte afiladas y**

**limpias.** Las herramientas de corte bien afiladas tienen menos probabilidades de atascarse y son más fáciles de controlar.

- g) **Use la herramienta eléctrica, los accesorios, las brocas, etc., siguiendo las instrucciones y teniendo en cuenta las condiciones de trabajo y la tarea a realizar.** El uso de las herramientas eléctricas para fines diferentes a los previstos podría provocar situaciones de peligro.
- h) **Mantenga las asas y las superficies de agarre secas, limpias y libres de aceite y grasa.** Si las asas y las superficies de agarre están resbaladizas no se puede manejar la herramienta de forma segura ni mantener el control en las situaciones inesperadas.

#### 5) UTILIZACIÓN Y MANTENIMIENTO DE HERRAMIENTAS A BATERÍA

- a) **Recargue únicamente con el cargador especificado por el fabricante.** Un cargador que es adecuado para un tipo de batería podría ocasionar un incendio si se utiliza con una batería distinta.
  - b) **Utilice herramientas eléctricas solamente con las baterías diseñadas específicamente para ellas.** El uso de cualquier otro tipo de batería puede provocar riesgo de lesiones e incendio.
  - c) **Cuando no se esté utilizando la batería, manténgala apartada de objetos metálicos como clips para papeles, monedas, llaves, clavos, tornillos, o cualquier otro objeto metálico pequeño que pudiera provocar un cortocircuito en sus terminales de corriente.** Si se provoca el cortocircuito en los terminales de la batería, podrían producirse quemaduras o incendios.
  - d) **En condiciones de uso intensivo, es posible que se produzca una fuga de ácido de la batería. Evite el contacto con el ácido. Enjuague con agua si se produce un contacto accidental. Si el líquido entra en contacto con los ojos, solicite también atención médica.** El líquido que emana de la batería puede provocar irritaciones o quemaduras.
  - e) **No utilice una batería o una herramienta que haya sido modificada o que esté dañada.** Las baterías dañadas o modificadas pueden tener un comportamiento impredecible y provocar un incendio, explosión o riesgo de lesiones.
  - f) **No exponga la batería ni la herramienta al fuego ni a una temperatura excesiva.** La exposición al fuego o a una temperatura superior a 130°C podría provocar una explosión.
  - g) **Siga todas las instrucciones de carga y no cargue la batería ni la herramienta fuera del rango de temperatura especificado en las instrucciones.** Una carga incorrecta o a temperaturas fuera del rango especificado puede dañar la batería y aumentar el riesgo de incendio.
- #### 6) SERVICIO TÉCNICO
- a) **Las reparaciones de las herramientas eléctricas debe realizarlas un técnico cualificado, utilizando solo piezas de recambio idénticas.** De este modo, podrá garantizarse la seguridad de uso de la herramienta eléctrica.
  - b) **No repare nunca baterías que estén dañadas.** Las baterías solo debe repararlas el fabricante o un centro de servicio técnico autorizado.

#### INSTRUCCIONES DE SEGURIDAD PARA SIERRAS DE SABLE INALÁMBRICAS

- **Sujete la herramienta eléctrica por las superficies de agarre aisladas al realizar trabajos en los que el accesorio de corte pueda entrar en contacto con conductores eléctricos ocultos** (el contacto del accesorio de corte con conductores bajo tensión puede hacer que las partes metálicas de la herramienta eléctrica pasen a estar en tensión y provoquen una descarga eléctrica al usuario)
- **Utilice abrazaderas u otro sistema práctico para asegurar y apoyar la pieza de trabajo en una plataforma estable** (si la sujeta con la mano o contra el cuerpo, queda inestable y puede perder el control sobre ella)

#### ACCESORIOS

- SKIL únicamente puede garantizar un funcionamiento correcto de la herramienta al emplear accesorios originales
- Utilice únicamente accesorios cuyo límite de revoluciones permitido sea como mínimo igual a las revoluciones en vacío máximas de la herramienta

#### ANTES DEL USO

- Evite los daños que puedan causar los tornillos, clavos y otros objetos sobre la pieza de trabajo; retírelos antes de empezar a trabajar
- **Utilice aparatos de detección adecuados para localizar posibles conductores o tuberías ocultas, o consulte a su compañía abastecedora** (el contacto con conductores eléctricos puede provocar una descarga eléctrica e incluso un incendio; al dañar una tubería de gas puede producirse una explosión; la perforación de una tubería de agua puede causar daños materiales o una descarga eléctrica)

#### SEGURIDAD PERSONAL

- Esta herramienta no deben utilizarla personas menores de 16 años
- **No trabaje materiales que contengan amianto** (el amianto se considera cancerígeno)
- El polvo de materiales como pintura que contenga plomo, algunas especies de madera, minerales y metal podrían ser dañinos (el contacto o inhalación del polvo podría producir reacciones alérgicas y trastornos respiratorios al usuario o a otras personas que se encontrasen en la zona); **utilice una máscara contra el polvo y trabaje con un dispositivo de extracción de polvo cuando se pueda conectar**
- Ciertos tipos de polvo están catalogados como cancerígenos (por ejemplo, el polvo de roble y de haya) especialmente junto con aditivos para el acondicionamiento de la madera; **utilice una máscara contra el polvo y trabaje con un dispositivo de extracción de polvo cuando se pueda conectar**
- Siga la normativa nacional en cuanto a extracción de polvo, en función de los materiales que vayan a ser utilizados
- **Mantenga las manos apartadas del área de corte y de la hoja; deje la otra mano sujetando la empuñadura del tambor D ②** (si ambas manos están sujetando la sierra, no pueden ser cortadas por la hoja)
- **No meta la mano debajo de la pieza de trabajo** (usted no puede ver si la mano está cerca de la hoja)
- **No sujete nunca la pieza que esté cortando con las manos o sobre la pierna** (es importante apoyar la pieza de trabajo correctamente para minimizar la exposición



- del cuerpo, el atasco de la hoja o la pérdida de control)
- **No utilice una hoja embotada o dañada** (las hojas dobladas se rompen fácilmente o provocan retroceso)
- **Use guantes protectores para extraer la hoja de la herramienta** (la hoja de sierra puede estar caliente tras un uso prolongado)
- Utilice gafas de protección y protección para los oídos

#### PILAS

- **La batería se entrega parcialmente cargada** (para poder aprovechar toda la capacidad de la batería, cárguela por completo en el cargador antes de utilizar la herramienta eléctrica por primera vez).
- **Utilice únicamente los siguientes cargadores y baterías con esta herramienta**
  - Batería SKIL: BR1\*31\*\*\*\*
  - Cargador SKIL: CR1\*31\*\*\*\*
- No utilice la batería si está deteriorada, es necesario cambiarla
- No desarme la batería
- No exponga la herramienta/batería a la lluvia
- Temperatura ambiente permitida (herramienta/cargador/batería):
  - durante la carga 4...40 °C
  - durante el funcionamiento -20...+50 °C
  - durante el almacenamiento -20...+50 °C

#### EXPLICACIÓN DE SÍMBOLOS DE HERRAMIENTA/BATERÍA

- ③ Lea el manual de instrucciones antes de utilizarla
- ④ Las baterías estallarán si se tiran al fuego, por ningún motivo caliente las baterías.
- ⑤ Guarde la herramienta/cargador/batería en un lugar donde la temperatura no exceda los 50 °C
- ⑥ No deseche las herramientas eléctricas y las pilas junto con los residuos domésticos

#### USO

- **Recarga de la batería**  
**! Lea las instrucciones y la advertencias de seguridad incluidas con el cargador.**
- Desmontaje/instalación de la batería ②
- Indicador del nivel de carga de la batería ⑦
  - Pulse el botón indicador del nivel de carga de la batería J para ver el nivel actual de carga ⑦a
- **! Cuando empiece a parpadear el nivel inferior del indicador de la batería después de pulsar el botón J ⑦b, significa que la batería está descargada.**
- **! Cuando empiecen a parpadear 2 niveles del indicador de la batería después de pulsar el botón J ⑦c, significa que la batería no está dentro del rango de temperatura de funcionamiento permitido.**
- Interruptor combinado para encendido/apagado y control de velocidad con botón de bloqueo ⑧ ⑨
  - en primer lugar, desbloquee pulsando el botón F
  - ponga en marcha la herramienta apretando el gatillo G
  - controle la velocidad acelerando de 0 hasta la máxima, apretando el gatillo acelerador
  - apague soltando el gatillo G
- El botón de bloqueo F se puede activar ⑧
  - si se activa, el interruptor on/off se bloquea y la máquina queda asegurada contra una puesta en marcha accidental
- Luces LED dobles K ⑩

Las luces LED dobles se encienden automáticamente al activar el interruptor G

**! Cuando las luces LED empiezan a parpadear, se activa la protección de la batería (véase a continuación)**

- Protección de la batería  
La herramienta se apaga inmediatamente, o se impide su encendido, cuando
  - **la carga es demasiado alta** -> retire la carga y vuelva a ponerla en marcha
  - **la temperatura de la batería no se encuentra dentro del rango admisible de temperaturas de funcionamiento entre -20 °C y +50 °C** -> los 2 niveles del indicador de la batería empiezan a parpadear cuando se pulsa el botón J ⑦c; espere hasta que la batería vuelva a estar dentro del rango admisible de temperaturas de funcionamiento
  - **la batería está casi descargada (como protección contra una descarga intensa)** -> el indicador del nivel de la batería señala un nivel bajo de carga o un nivel bajo de carga intermitente ub cuando se pulsa el botón J; cargue la batería
- **! No siga pulsando el interruptor de encendido/apagado después de que se apague automáticamente la herramienta; se puede dañar la batería.**
- Montaje de la hoja de sierra ⑪  
**! Quite la batería de la herramienta antes de realizar cualquier ajuste o cambiar los accesorios**
  - gire la abrazadera de la hoja C en la misma dirección que la flecha en la herramienta y manténgala en esa posición
  - inserte la hoja (con los dientes de sierra hacia abajo o hacia arriba) hasta el fondo
  - suelte la abrazadera de la hoja C
  - empuje la hoja hacia dentro y tire de ella para comprobar si está bloqueada
- Extracción de la hoja de sierra ⑪  
**! Quite la batería de la herramienta antes de realizar cualquier ajuste o cambiar los accesorios**
  - gire la abrazadera de la hoja C en la misma dirección que la flecha en la herramienta y manténgala en esa posición
  - tire de la hoja
  - suelte la abrazadera de la hoja C
- Utilización de la herramienta  
**! sujete firmemente la pieza de trabajo**
  - marque la línea de corte en la pieza de trabajo
  - monte la batería en la herramienta
  - sujete la herramienta colocando una mano en el mango H y la otra en la empuñadura del tambor aislada D
  - ponga en marcha la herramienta
  - guíe la herramienta a lo largo de la línea de corte marcada
  - mantenga firme la zapata giratoria B contra la pieza de trabajo para reducir al mínimo la fuerza contraria y la vibración
- Sujeción y manejo de la herramienta  
**! Durante el trabajo, sujete siempre la herramienta por la(s) zona(s) de agarre de color gris ⑫**
  - mantenga las ranuras de ventilación E descubiertas
  - no ejerza demasiada presión en la herramienta; deje que la herramienta haga su trabajo

**! asegúrese de que la hoja de sierra sobresale del material cortado durante todo el desplazamiento** ⑬

- Girar la zapata ⑭
  - presione el botón de bloqueo F hasta la posición de bloqueo y, a continuación, saque la batería de la herramienta.
  - sujete firmemente la sierra y después gire la zapata B al ángulo deseado, teniendo cuidado de evitar el contacto con la hoja.
  - vuelva a instalar la batería y prepárese para cortar

## CONSEJOS DE APLICACIÓN

- Corte inclinado ⑮  
Los cortes inclinados se pueden realizar en madera y otros materiales blandos sin perforación previa
  - utilice una hoja de sierra gruesa

**! Quite la batería de la herramienta antes de realizar cualquier ajuste o cambiar los accesorios**

- marque la línea de corte deseada en la pieza de trabajo
- incline la herramienta de manera que la hoja no toque la pieza de trabajo
- encienda la herramienta e inserte con cuidado la hoja de sierra en movimiento en la pieza de trabajo
- una vez que la hoja ha penetrado en la pieza de trabajo, continúe serrando a lo largo de la línea de corte marcada

**! no realice cortes inclinados en materiales metálicos**

- Utilice las hojas de sierra adecuadas ⑯
- Al cortar metales, engrase la hoja de sierra regularmente con aceite
- Corte sin astillas
  - tape la línea de corte con varias capas de cinta de papel engomado ancho antes de cortar
  - ponga siempre el lado bueno de la pieza de trabajo hacia abajo
- Si desea más información, visite [www.skil.com](http://www.skil.com)

## MANTENIMIENTO / SERVICIO

- Esta herramienta no está concebida para uso profesional
- Mantenga siempre limpia la herramienta (sobre todo las ranuras de ventilación E ⑳)

**! Quite la batería de la herramienta antes de la limpieza.**

- Si a pesar de los esmerados procesos de fabricación y control, la herramienta llegase a averiarse, la reparación deberá encargarse a un servicio técnico autorizado para herramientas eléctricas SKIL
  - Envíe la herramienta sin desmontar junto con una prueba de su compra a su distribuidor o al centro de servicio técnico más cercano de SKIL (las direcciones y el diagrama de despiece de la herramienta están en [www.skil.com](http://www.skil.com)).
- Tenga en cuenta que los daños debido a sobrecarga o a un manejo inadecuado del producto estarán excluidos de la garantía (consulte las condiciones de garantía de SKIL en [www.skil.com](http://www.skil.com) o consulte a su distribuidor).

## MEDIO AMBIENTE

- No deseche las herramientas eléctricas, las baterías, los accesorios y los embalajes junto con los residuos

domésticos (solo para países de la Unión Europea).

- de conformidad con la Directiva Europea 2012/19/CE sobre residuos de aparatos eléctricos y electrónicos y su aplicación de acuerdo con la legislación nacional, las herramientas eléctricas cuya vida útil haya llegado a su fin se deberán recoger por separado y trasladar a una planta de reciclaje que cumpla con las exigencias ecológicas
- El símbolo ㉑ llamará su atención cuando sea necesaria la eliminación.

**! Antes de eliminarla, proteja los terminales de la batería con cinta aislante para evitar un cortocircuito.**

## RUIDOS / VIBRACIONES

- Realizando mediciones según EN62841, el nivel de presión acústica de esta herramienta es **87 dB(A)** y el nivel de potencia acústica es de **98 dB(A)** (incertidumbre K = 3 dB), y la vibración es \* (suma vectorial triaxial; incertidumbre K = **1,5 m/s<sup>2</sup>**).

\* al cortar una tabla **10,58 m/s<sup>2</sup>**

\* al cortar vigas de madera **8,46 m/s<sup>2</sup>**

- El nivel de emisión de vibraciones ha sido medido según una prueba estándar proporcionada en la norma EN 62841; puede utilizarse para comparar una herramienta con otra y como valoración preliminar de la exposición a las vibraciones al utilizar la herramienta con las aplicaciones mencionadas

- al utilizarla para distintas aplicaciones o con accesorios diferentes o con un mantenimiento deficiente, podría **aumentar** de forma considerable el nivel de exposición.

- en las ocasiones en que se apaga la herramienta o cuando está funcionando pero no está realizando ningún trabajo, se podría reducir considerablemente el nivel de exposición.

**! Protéjase contra los efectos de la vibración realizando el mantenimiento de la herramienta y sus accesorios, manteniendo sus manos calientes y organizando sus patrones de trabajo.**

P

## Serra alternada sem escovas e sem fios

3475

## INTRODUÇÃO

- Esta ferramenta foi criada para cortar madeira, plástico, metal e materiais de construção, bem como para aparar e podar árvores.
- Esta ferramenta não foi criada para utilização profissional.
- Leia e guarde este manual de instruções. ㉓

## CARACTERÍSTICAS TÉCNICAS ①

## ELEMENTOS DA FERRAMENTA ②

- A Lâmina
- B Sapata pivô
- C Braçadeira da lâmina

- D Pega do cilindro
- E Ranhuras de ventilação
- F Botão de bloqueio
- G Interruptor para ligar/desligar e controlo da velocidade
- H Pega
- J Botão do indicador do nível da bateria
- K Duplas luzes LED

## SEGURANÇA

### AVISOS DE SEGURANÇA GERAIS DA FERRAMENTA ELÉTRICA

**AVISO** Leia todos os avisos de segurança, instruções, ilustrações e especificações fornecidas com esta ferramenta elétrica. Não seguir todas as instruções apresentadas abaixo pode resultar em choque elétrico, incêndio e/ou ferimentos graves.

Guarde todos os avisos e instruções para futuras referências.

O termo “ferramenta elétrica” nos avisos diz respeito à sua ferramenta alimentada pela rede (com fio) ou com bateria (sem fio).

#### 1) SEGURANÇA NA ÁREA DE TRABALHO

- a) **Mantenha a área de trabalho limpa e bem iluminada.** Áreas desarrumadas ou escuras são propícias a acidentes.
- b) **Não ligue ferramentas elétricas em atmosferas explosivas, tal como na presença de líquidos inflamáveis, gases ou pó.** As ferramentas elétricas geram faíscas que podem provocar a ignição dos fumos ou pó.
- c) **Mantenha as crianças e pessoas que passem afastadas enquanto trabalhar com uma ferramenta elétrica.** As distrações podem fazer com que perca o controlo.

#### 2) SEGURANÇA ELÉTRICA

- a) **As fichas da ferramenta elétrica têm de corresponder à tomada. Nunca modifique uma ficha de forma alguma. Não utilize qualquer adaptador com ferramentas elétricas com ligação à terra.** Fichas não modificadas e tomadas correspondentes reduzirão o risco de choque elétrico.
- b) **Evite o contacto do corpo com superfícies ligadas à terra, tais como tubos, radiadores, bases e frigoríficos.** Existe um risco acrescido de choque elétrico se o seu corpo estiver ligado à terra.
- c) **Não exponha as ferramentas elétricas à chuva ou a condições húmidas.** A entrada da água na ferramenta elétrica aumentará o risco de choque elétrico.
- d) **Não force o fio da alimentação. Nunca utilize o fio para transportar, puxar ou desligar a ferramenta elétrica. Mantenha o fio afastado do calor, óleo, arestas afiadas ou peças móveis.** Fios danificados ou presos aumentam o risco de choque elétrico.
- e) **Quando estiver a trabalhar com uma ferramenta elétrica ao ar livre, utilize uma extensão adequada para a utilização no exterior.** A utilização de um fio adequado ao exterior reduz o risco de choque elétrico.
- f) **Se for inevitável trabalhar com uma ferramenta**

**elétrica num local húmido, use uma alimentação protegida por um dispositivo de corrente residual (DCR).** A utilização de um DCR reduz o risco de choque elétrico.

#### 3) SEGURANÇA PESSOAL

- a) **Mantenha-se alerta, observe o que está a fazer e use senso comum quando estiver a trabalhar com uma ferramenta elétrica. Não use uma ferramenta elétrica enquanto estiver cansado ou sob o efeito de drogas, álcool ou medicação.** Um momento de falta de atenção enquanto trabalha com ferramentas elétricas pode resultar em ferimentos graves.
  - b) **Use equipamento pessoal de proteção. Use sempre proteção ocular.** O equipamento de segurança, tal como máscara respiratória, calçado de segurança antiderrapante, capacete de segurança ou proteção auditiva, utilizado nas condições adequadas reduzirá a hipótese de ferimentos.
  - c) **Evite ligações sem intenção. Certifique-se de que o interruptor se encontra na posição de desligado antes de ligar a fonte de energia e/ou à bateria ao agarrar ou transportar a ferramenta.** Transportar ferramentas elétricas com o seu dedo no interruptor ou fornecer energia a ferramentas elétricas que tenham o interruptor na posição de ligado convida a acidentes.
  - d) **Retire qualquer chave de ajuste ou chave de fendas antes de ligar a ferramenta elétrica.** Uma chave de porcas ou uma chave deixada ligada a uma peça rotativa da ferramenta elétrica pode provocar ferimentos.
  - e) **Não se estique. Mantenha sempre a base e o equilíbrio adequados.** Isso proporciona um melhor controlo da ferramenta elétrica em situações inesperadas.
  - f) **Vista-se adequadamente. Não use roupa larga nem joias. Mantenha o seu cabelo e roupa afastados das peças móveis.** Roupas largas, joias ou cabelo comprido podem ser apanhados pelas peças em movimento.
  - g) **Se forem fornecidos dispositivos para a ligação de extração de pó e facilidades de recolha, certifique-se de que estes estão ligados e de que são devidamente utilizados.** A utilização de dispositivos de extração do pó pode reduzir os perigos relacionados com o pó.
  - h) **Não permita que a familiarização ganha com a utilização de ferramentas o torne mais complacente e ignore os princípios de segurança da ferramenta.** Uma ação descuidada pode causar graves ferimentos numa fração de segundo.
- #### 4) UTILIZAÇÃO E CUIDADOS DA FERRAMENTA ELÉTRICA
- a) **Não force a ferramenta elétrica. Utilize a ferramenta elétrica correta para a sua aplicação.** A ferramenta elétrica correta fará o trabalho melhor e de forma mais segura ao ritmo para o qual foi concebida.
  - b) **Não utilize a ferramenta elétrica se o interruptor não a ligar ou desligar.** Qualquer ferramenta que não possa ser controlada com o interruptor é perigosa e deve ser reparada.
  - c) **Desligue a ficha da alimentação e/ou retire a bateria da ferramenta elétrica, se amovível, antes de fazer quaisquer ajustes, mudar de acessórios ou armazenar a ferramenta elétrica.** Tais medidas preventivas de segurança reduzem o risco de ligar a

ferramenta elétrica acidentalmente.

- d) **Guarde ferramentas elétricas sem carga fora do alcance de crianças e não permita que pessoas estranhas às ferramentas elétricas ou a estas instruções trabalhem com a ferramenta elétrica.** As ferramentas elétricas são perigosas nas mãos de utilizadores sem formação.
  - e) **Proceda à manutenção das ferramentas elétricas e acessórios. Verifique desalinhamentos ou bloqueios das peças móveis, peças partidas e quaisquer outras condições que possam afetar o funcionamento da ferramenta elétrica. Se estiver danificada, leve a ferramenta elétrica para ser reparada antes da utilização.** Muitos acidentes são provocados pela fraca manutenção das ferramentas elétricas.
  - f) **Mantenha as ferramentas de corte afiadas e limpas.** Ferramentas de corte devidamente mantidas e com arestas de corte afiadas têm uma menor probabilidade de prender e são mais fáceis de controlar.
  - g) **Use a ferramenta elétrica, acessórios e brocas, etc., de acordo com estas instruções, tendo em conta as condições de trabalho e o trabalho a ser efetuado.** A utilização da ferramenta elétrica para operações diferentes daquelas para que foi criada pode dar origem a uma situação perigosa.
  - h) **Mantenha as pegas e superfícies de segurar secas, limpas e sem óleo ou gordura.** Pegas e superfícies de segurar escorregadias não permitem o manuseamento seguro nem o controlo da ferramenta em situações inesperadas.
- ### 5) UTILIZAÇÃO E CUIDADOS DA FERRAMENTA COM A BATERIA
- a) **Recarregue apenas com o carregador especificado pelo fabricante.** Um carregador que seja adequado a um tipo de bateria pode criar um risco de incêndio quando usado com outra bateria.
  - b) **Use ferramentas elétricas apenas com as baterias especificamente designadas.** A utilização de outras baterias pode criar um risco de ferimentos e incêndio.
  - c) **Quando não usar a bateria, mantenha-a afastada de outros objetos de metal, como cliques de papel, moedas, chaves, pregos, parafusos ou outros pequenos objetos de metal que possam fazer a ligação entre os dois terminais.** Colocar os terminais da bateria em curto-circuito pode dar origem a queimaduras ou fogo.
  - d) **Sob condições abusivas, pode ser ejetado líquido da bateria; evite o contacto. Se ocorrer um contacto accidental, lave com água abundante. Se o líquido entrar em contacto com os olhos, procure ajuda médica.** O líquido ejetado da bateria pode provocar irritação ou queimaduras.
  - e) **Não use a bateria nem a ferramenta se estiverem danificadas ou modificadas.** Baterias danificadas ou modificadas podem apresentar comportamentos imprevisíveis, dando origem a fogo, explosão ou risco de lesões.
  - f) **Não exponha a bateria ou a ferramenta ao fogo ou temperatura excessiva.** A exposição ao fogo ou a temperaturas acima dos 130 °C pode causar uma explosão.
  - g) **Siga todas as instruções de carregamento e**

**não carregue a bateria nem a ferramenta a uma temperatura fora dos parâmetros especificados nas instruções.** Carregar incorretamente ou a temperaturas fora dos parâmetros especificados pode danificar a bateria e aumentar o risco de fogo.

### 6) REPARAÇÃO

- a) **A reparação da sua ferramenta elétrica deverá ser sempre efetuada por pessoas qualificadas, utilizando apenas peças sobresselentes idênticas.** Isso garante que a segurança da ferramenta elétrica é mantida.
- b) **Nunca tente reparar uma bateria danificada.** A reparação das baterias só deverá ser efetuada pelo fabricante ou por um reparador autorizado.

### INSTRUÇÕES DE SEGURANÇA PARA A SERRA ALTERNADA SEM ESCOVAS

- **Segure a ferramenta elétrica pelas superfícies isoladas quando efetuar qualquer operação em que o acessório de corte possa entrar em contacto com cablagem oculta ou com o seu próprio fio.** Se a ferramenta entrar em contacto com um fio ligado à alimentação, as peças de metal expostas à eletricidade podem dar origem a um choque elétrico.
- **Utilize grampos ou outra forma prática de segurar e apoiar a peça de trabalho numa plataforma estável.** Segurar a peça à mão ou contra o corpo deixa-a instável e pode dar origem à perda de controlo.

### ACESSÓRIOS

- A SKIL apenas pode assegurar um funcionamento sem defeitos da ferramenta quando utilizados acessórios originais.
- Utilize apenas acessórios com uma velocidade admissível que corresponda, pelo menos, à velocidade mais elevada sem carga da ferramenta.

### ANTES DA UTILIZAÇÃO

- Evite danos que possam ser causados por parafusos, pregos e outros elementos na sua peça a ser trabalhada. Retire-os antes de começar o trabalho.
- **Use detetores adequados para encontrar estas linhas na área de trabalho, ou contacte a empresa local da respetiva utilidade para obter ajuda.** O contacto com linhas elétricas pode dar origem a fogo ou choque elétrico; danificar uma tubagem do gás pode dar origem a explosão; penetrar um tubo da água pode causar danos patrimoniais ou choque elétrico.

### SEGURANÇA PESSOAL

- Esta ferramenta não deverá ser utilizada por pessoas com menos de 16 anos.
- **Não trabalhe em materiais que contenham amianto** (o amianto é considerado cancerígeno).
- As poeiras de materiais como tintas com chumbo, determinadas espécies de madeiras, minerais e metais podem ser prejudiciais (o contacto ou a inalação dessa poeira pode causar reações alérgicas e/ou doenças respiratórias no operador ou assistentes); **utilize uma máscara antipoeira e trabalhe com um dispositivo de extração de poeiras quando for possível ligar.**
- Determinados tipos de poeiras estão classificados como cancerígenos (como poeira de faia e carvalho) especialmente junto com aditivos para tratamento de madeiras. **Utilize uma máscara antipoeira e trabalhe com um dispositivo de extração de poeiras quando for possível ligar.**

- Siga as normas nacionais referentes a poeiras para os materiais com que pretende trabalhar.
- **Mantenha as mãos afastadas da área de corte e da lâmina. Mantenha a sua segunda mão na pega do cilindro D ②.** Se ambas as mãos estiverem a segurar a serra, não serão cortadas pela lâmina.
- **Não se estique por baixo da peça a ser trabalhada,** pois a proximidade da lâmina à sua mão não se vê a partir da sua posição.
- **Nunca segure a peça a ser cortada com as mãos ou entre as pernas.** É importante suportar a peça corretamente, para minimizar a exposição do corpo, lâmina presa ou perda de controlo.
- **Não use uma lâmina romba ou danificada.** Lâminas dobradas podem partir facilmente ou causar um ressalto.
- **Use luvas de proteção quando retirar a lâmina da ferramenta.** A lâmina da serra pode ficar quente após um uso prolongado.
- Use óculos de proteção e proteção auditiva.

#### BATERIAS

- **A bateria fornecida vem parcialmente carregada.**  
Para garantir a capacidade completa da bateria, carregue por completo a bateria no carregador antes de usar a sua ferramenta elétrica pela primeira vez.
- **Use apenas as seguintes baterias e carregadores com esta ferramenta**
  - Bateria SKIL: BR1\*31\*\*\*\*
  - Carregador SKIL: CR1\*31\*\*\*\*
- Não use a bateria danificada. Esta deverá ser substituída.
- Não desmonte a bateria.
- Não exponha a ferramenta/bateria à chuva.
- Temperatura ambiente permitida (ferramenta/carregador/bateria):
  - A carregar: 4 - 40 °C
  - Durante o funcionamento: -20 - 50 °C
  - Durante o armazenamento: -20 - 50 °C

#### EXPLICAÇÃO DOS SÍMBOLOS NA FERRAMENTA/ BATERIA

- ③ Leia o manual de instruções antes da utilização.
- ④ As baterias podem explodir quando atiradas para o fogo, por isso, nunca queime uma bateria.
- ⑤ Guarde a ferramenta/carregador/bateria num local onde a temperatura não exceda os 50 °C.
- ⑥ Não elimine ferramentas elétricas juntamente com o lixo doméstico comum.

#### UTILIZAÇÃO

- **Carregar a bateria**  
**! Leia os avisos de segurança e as instruções fornecidas com o carregador.**
- Remover/Instalar a bateria ②
- Indicador do nível da bateria ⑦
  - Prima o botão do indicador do nível da bateria J para ver o atual nível da bateria ⑦a
  - ! Quando o nível mais baixo do indicador da bateria começar a piscar após premir o botão J ⑦b, a bateria está descarregada.**
  - ! Quando 2 níveis do indicador da bateria começarem a piscar após premir o botão J ⑦c, a bateria não se encontra dentro da temperatura de funcionamento permitida.**
- Interruptor combinado para ligar/desligar e controlo da velocidade com o botão de bloqueio ⑧ ⑨

- Primeiro, desbloqueie premindo o botão F.
- Ligue a ferramenta pressionando o gatilho G.
- Controle a velocidade uniformemente do zero ao máximo fazendo mais ou menos pressão no gatilho.
- Desligue libertando o gatilho G.
- O botão de bloqueio F pode ser ativado ⑧
  - Se for ativado, o interruptor de ligar/desligar é bloqueado e a máquina fica protegida contra ligações sem intenção.
- Duplas luzes LED K ⑩  
As duplas luzes LED acendem automaticamente quando ativar o interruptor G.  
**! Quando a luz LED começar a piscar, a proteção da bateria é ativada (consulte abaixo).**
- Proteção da bateria  
A ferramenta desliga-se de repente ou é impossível ligá-la quando
  - **a carga é muito grande** -> retire a carga e reinicie
  - **A temperatura da bateria não se encontra dentro do raio da temperatura de funcionamento permitida de -20 a +50 °C** -> 2 níveis do indicador do nível da bateria começam a piscar quando prime o botão J ⑦c; espere que a bateria volte ao raio da temperatura de funcionamento permitida.
  - **A bateria está quase gasta (para proteger contra grandes descargas)** -> é apresentado um baixo nível da bateria ou a piscar no indicador do nível da bateria quando prime o botão J; carregue a bateria.
  - ! Não continue a premir o interruptor de ligar/desligar após a ferramenta se desligar automaticamente. A bateria pode ficar danificada.**
- Montagem da lâmina da serra ⑪  
**! Retire sempre a bateria da ferramenta antes de efetuar quaisquer ajustes ou mudar de acessórios.**
  - Rode a braçadeira da lâmina C na mesma direção da seta na ferramenta, e mantenha-a nessa posição.
  - Insira a lâmina (com os dentes virados para cima ou para baixo) por completo.
  - Liberte a braçadeira da lâmina C.
  - Pressione para dentro e para fora a lâmina para verificar se ficou fixada corretamente.
- Retirar a lâmina da serra ⑪  
**! Retire sempre a bateria da ferramenta antes de efetuar quaisquer ajustes ou mudar de acessórios.**
  - Rode a braçadeira da lâmina C na mesma direção da seta na ferramenta, e mantenha-a nessa posição.
  - Retire a lâmina.
  - Liberte a braçadeira da lâmina C.
- Utilizar a ferramenta  
**! Fixe bem a peça a ser trabalhada.**
  - Assinale a linha de corte na peça a ser trabalhada.
  - Monte a bateria na ferramenta.
  - Segure a ferramenta com uma mão na pega H e a outra na pega isolada do cilindro D.
  - Ligue a ferramenta elétrica.
  - Oriente a ferramenta ao longo da linha de corte assinalada.
  - Mantenha a sapata pivô B firmemente contra a peça a ser trabalhada para minimizar a força contrária e a vibração.
- Segurar e orientar a ferramenta  
**! Durante o trabalho, segure sempre a ferramenta pelas áreas de prensão cinzentas ⑫**



- Mantenha as ranhuras de ventilação E desobstruídas.
- Não aplique demasiada pressão na ferramenta. Deixe a ferramenta trabalhar por si.

**! Certifique-se de que a lâmina da serra se estende além do trabalho durante toda a serragem** ⑬

- Oscilar a sapata ⑭
- Pressione o botão de bloqueio F para a posição de bloqueado e retire a bateria da ferramenta.
- Segure firmemente a serra e oscile a sapata B para o ângulo desejado enquanto tem o cuidado de evitar o contacto com a lâmina.
- Volte a instalar a bateria e prepare-se para o corte.

## CONSELHOS DE APLICAÇÃO

- Corte por imersão ⑮
- Cortes por imersão podem ser feitos em madeira e outros materiais suaves sem pré-perfurar um orifício.
- Use uma lâmina de serra grossa.
- ! Retire sempre a bateria da ferramenta antes de efetuar quaisquer ajustes ou mudar de acessórios.**
- Assinale a linha de corte desejada na peça a ser trabalhada.
- Incline a ferramenta para que a lâmina não toque na peça a ser trabalhada.
- Ligue a ferramenta e engate cuidadosamente a lâmina da serra em movimento na peça a ser trabalhada.
- Após a lâmina ter penetrado a peça a ser trabalhada, continue a serrar ao longo da linha de corte assinalada.
- ! Não faça cortes por imersão em materiais de metal**
- Use as lâminas de serra adequadas ⑯.
- Ao cortar metais, lubrifique a lâmina da serra regularmente com óleo.
- Corte sem farpas
- Cubra a linha de corte com várias camadas de fita larga antes de cortar.
- Olhe sempre para baixo no lado bom da peça a ser trabalhada.
- Para mais informações, consulte [www.skil.com](http://www.skil.com).

## MANUTENÇÃO / REPARAÇÃO

- Esta ferramenta não foi criada para utilização profissional.
- Mantenha sempre a ferramenta limpa (especialmente as ranhuras de ventilação E ②).
- ! Retire a bateria da ferramenta antes de proceder à limpeza.**
- Se a ferramenta falhar apesar dos cuidados de fabrico e procedimentos de teste, a reparação deverá ser efetuada por um centro de reparação pós-venda autorizado para ferramentas elétricas SKIL.
- Envie a ferramenta desmontada, juntamente com a prova de compra, para o seu representante ou ponto de reparação SKIL mais próximo (os endereços e também os esquemas de reparação estão listados em [www.skil.com](http://www.skil.com)).
- Tenha em conta que danos devido a sobrecarga ou manuseamento inadequado da ferramenta não são abrangidos pela garantia (para saber as condições da garantia SKIL, consulte [www.skil.com](http://www.skil.com) ou informe-se com o seu revendedor).

## AMBIENTE

- Não elimine ferramentas elétricas, baterias, acessórios e embalagens juntamente com o lixo doméstico comum (apenas para países da UE).
- Em conformidade com a Diretiva Europeia 2012/19/CE relativa aos resíduos de equipamento elétrico e eletrónico e respetiva implementação em conformidade com as leis nacionais, ferramentas elétricas que tenham atingido o final do seu ciclo de vida devem ser recolhidas separadamente e entregues em instalações de reciclagem ambientalmente compatíveis.
- O símbolo ⑥ serve para lembrar isto quando for necessária a eliminação.
- ! Antes da eliminação, proteja os terminais da bateria com fita resistente, para evitar um curto-circuito.**

## RUÍDO / VIBRAÇÃO

- Medido de acordo com a EN 62841. O nível de pressão do som desta ferramenta é de **87 dB(A)**, e o nível de potência do som é de **98 dB(A)** (incerteza  $K = 5$  dB), e a vibração \* (soma vetorial das 3 direções; incerteza  $K = 1,5$  m/s<sup>2</sup>).
- \* Cortar placas de madeira **19,0** m/s<sup>2</sup>
- \* Cortar vigas de madeira **21,6** m/s<sup>2</sup>
- O nível de emissão da vibração foi medido de acordo com um teste padronizado da norma EN 62841. Pode ser usado para comparar duas ferramentas e como avaliação preliminar da exposição à vibração quando usar a ferramenta para as aplicações mencionadas.
- Usar a ferramenta para diferentes aplicações, ou com acessórios diferentes ou mal mantidos, pode **umentar** significativamente o nível de exposição.
- As vezes que a ferramenta é desligada ou quando estiver a funcionar, mas sem estar a efetuar o trabalho, pode reduzir significativamente o nível de exposição.
- ! Proteja-se dos efeitos das vibrações realizando a manutenção da ferramenta e dos seus acessórios, mantendo as mãos quentes e organizando os seus padrões de trabalho.**

I

## Seghetto alternativo cordless brushless

3475

## INTRODUZIONE

- Questo utensile è progettato per tagliare legno, plastica, metallo e materiali di edilizia, e per diramare e potare alberi.
- Questo utensile non è destinato all'uso professionale.
- Leggere e conservare questo manuale di istruzioni. ③

## SPECIFICHE TECNICHE ①

## COMPONENTI DELL'UTENSILE ②

- A Lama
- B Pattino pivotante



- C Morsetto della lama
- D Impugnatura secondaria
- E Aperture di ventilazione
- F Pulsante di bloccaggio
- G Interruttore di avvio/arresto con controllo di velocità variabile
- H Impugnatura principale
- J Pulsante dell'indicatore del livello della batteria
- K Doppia luce LED

## SICUREZZA

### AVVERTENZE DI SICUREZZA COMUNI A TUTTI GLI UTENSILI ELETTRICI

**AVVERTENZA!** Consultare tutte le avvertenze di sicurezza, le istruzioni, le illustrazioni e le specifiche fornite insieme a questo utensile elettrico. Il mancato rispetto delle istruzioni sotto riportate comporta il rischio di scossa elettrica, incendio e/o gravi infortuni.

**Conservare tutte le avvertenze e le istruzioni per futuro riferimento.**

Il termine "utensile elettrico" utilizzato nelle avvertenze indica un utensile elettrico alimentato tramite rete elettrica (con cavo) o batterie (senza cavo).

#### 1) SICUREZZA DELL'AREA DI LAVORO

- a) **Mantenere l'area di lavoro pulita e ben illuminata.** Il disordine e la scarsa illuminazione favoriscono gli incidenti.
- b) **Non usare gli utensili elettrici in atmosfere esplosive, ad esempio in presenza di liquidi, gas o polveri infiammabili.** Gli utensili elettrici creano scintille che possono incendiare polveri o fumi.
- c) **Durante l'uso dell'utensile elettrico, tenere a distanza i bambini e le persone presenti.** Le distrazioni possono far perdere il controllo.

#### 2) SICUREZZA ELETTRICA

- a) **Le spine degli utensili elettrici devono essere adatte al tipo di presa. Non modificare la spina in alcun modo. Non usare adattatori con gli utensili elettrici dotati di messa a terra (collegati a massa).** L'uso di spine originali corrispondenti al tipo di presa riduce il rischio di scossa elettrica.
- b) **Evitare il contatto del corpo con superfici collegate a terra come tubi, radiatori, fornelli elettrici e frigoriferi.** Il rischio di scossa elettrica aumenta se il proprio corpo è collegato a terra.
- c) **Non esporre gli utensili elettrici a pioggia o umidità.** L'infiltrazione di acqua all'interno di un utensile elettrico aumenta il rischio di scossa elettrica.
- d) **Non utilizzare il cavo in modo improprio. Non usare il cavo per trasportare, tirare o scollegare l'utensile elettrico dalla presa di corrente. Tenere il cavo al riparo da calore, olio, bordi taglienti o parti in movimento.** La presenza di cavi danneggiati o aggrovigliati aumenta il rischio di scossa elettrica.
- e) **Durante l'uso di un utensile elettrico all'aperto, utilizzare una prolunga idonea per ambienti esterni.** L'uso di un cavo idoneo riduce il rischio di scossa elettrica.

- f) **Se è necessario lavorare in un luogo umido, utilizzare un circuito elettrico dotato di interruttore differenziale (RCD).** L'uso di un interruttore differenziale riduce il rischio di scossa elettrica.

#### 3) SICUREZZA PERSONALE

- a) **Durante l'uso di un utensile elettrico, prestare sempre la massima attenzione e utilizzare il buon senso. Non usare un utensile elettrico se si è stanchi o sotto l'effetto di droghe, alcol o farmaci.** Anche un solo momento di disattenzione durante l'uso dell'utensile elettrico può provocare gravi infortuni.
- b) **Indossare dispositivi di protezione individuale. Indossare dispositivi di protezione per gli occhi.** I dispositivi di protezione individuale come maschere antipolvere, calzature antiscivolo, caschi e cuffie per le orecchie, se utilizzati quando le circostanze lo richiedono, riducono il rischio di infortuni.
- c) **Prevenire l'avvio accidentale. Assicurarsi che l'interruttore sia in posizione di arresto prima di sollevare, trasportare o collegare l'utensile elettrico alla presa di corrente e/o alla batteria.** Per ridurre il rischio di incidenti, non trasportare gli utensili elettrici tenendo le dita sull'interruttore e non collegarli alla fonte di alimentazione se l'interruttore è in posizione di avvio.
- d) **Rimuovere eventuali chiavi di regolazione o avvvitamento prima di avviare l'utensile elettrico.** Una chiave di serraggio rimasta inserita in un elemento mobile dell'utensile elettrico può provocare infortuni.
- e) **Non allungarsi eccessivamente. Mantenere sempre un buon equilibrio evitando posizioni instabili.** Ciò assicura un miglior controllo dell'utensile elettrico in situazioni impreviste.
- f) **Vestirsi in modo adeguato. Non indossare indumenti ampi o gioielli. Tenere capelli e indumenti lontani dalle parti in movimento.** Indumenti ampi, gioielli e capelli lunghi possono impigliarsi nelle parti in movimento.
- g) **Se sono disponibili dei dispositivi per l'estrazione e la raccolta della polvere, assicurarsi che siano collegati e utilizzati correttamente.** L'uso di tali dispositivi può ridurre i rischi derivanti dalla polvere.
- h) **Non lasciare che la familiarità con l'utensile (derivata da un uso frequente) abbassi il livello di attenzione.** Anche una minima distrazione può causare gravi infortuni.
- 4) **USO E MANUTENZIONE DELL'UTENSILE ELETTRICO**
  - a) **Non forzare l'utensile elettrico. Utilizzare l'utensile più adatto al lavoro da svolgere.** Un utensile elettrico corretto è più sicuro ed efficace al regime per cui è stato progettato.
  - b) **Non usare l'utensile elettrico se l'interruttore non funziona correttamente.** Un utensile elettrico che non può essere controllato dall'interruttore è pericoloso e deve essere riparato.
  - c) **Rimuovere il gruppo batteria, se removibile, e/o scollegare l'utensile elettrico dalla rete elettrica prima di regolarlo, riporlo o sostituire gli accessori.** Tali misure preventive riducono il rischio di avvio accidentale dell'utensile elettrico.
  - d) **Riporre gli utensili elettrici fuori dalla portata dei bambini e non permetterne l'uso a persone che non hanno familiarità con l'utensile o con queste**

**istruzioni.** Gli utensili elettrici sono pericolosi se utilizzati da persone non competenti.

- e) **Mantenere gli utensili elettrici e gli accessori in buono stato. Verificare che le parti mobili non siano disallineate o inceppate, che i componenti non siano danneggiati e che non siano presenti altri problemi che potrebbero pregiudicare il corretto funzionamento dell'utensile elettrico.** Se l'utensile elettrico è danneggiato, farlo riparare prima di utilizzarlo nuovamente. Molti incidenti sono provocati da utensili elettrici in cattive condizioni.
- f) **Mantenere gli accessori di taglio puliti e affilati.** Un'adeguata manutenzione e affilatura degli accessori da taglio riduce il rischio di inceppamento e facilita il controllo dell'utensile elettrico.
- g) **Usare l'utensile elettrico, gli accessori, le punte ecc. conformemente a queste istruzioni, tenendo conto delle condizioni dell'area di lavoro e del tipo di lavoro da svolgere.** L'uso dell'utensile elettrico per operazioni diverse da quelle per cui è progettato può comportare situazioni di pericolo.
- h) **Mantenere le impugnature e le superfici di presa asciutte, pulite e prive di olio o grasso.** Impugnature e superfici di presa scivolose non garantiscono l'uso sicuro e il controllo dell'utensile in situazioni imprevedute.
- 5) **USO E MANUTENZIONE DEGLI UTENSILI A BATTERIA**
- a) **Ricaricare la batteria esclusivamente con il caricabatteria specificato dal costruttore.** Un caricabatteria adatto a un certo tipo di gruppo batteria comporta il rischio di incendio se utilizzato con gruppi batteria di tipo diverso.
- b) **Usare gli utensili esclusivamente con i gruppi batteria specificamente progettati.** L'uso di altri gruppi batteria comporta il rischio di incendio e infortunio.
- c) **Quando il gruppo batteria non è in uso, tenerlo lontano da piccoli oggetti metallici, ad esempio graffette, monete, chiavi, chiodi, viti ecc. poiché potrebbero creare un collegamento tra i due terminali.** Il cortocircuito dei terminali della batteria comporta il rischio di incendio o ustioni.
- d) **L'utilizzo improprio può causare fuoriuscite di liquido dalla batteria: evitare il contatto con tale liquido. In caso di contatto accidentale, lavare con acqua. Se il liquido entra a contatto con gli occhi, consultare un medico.** Il liquido fuoriuscito dalla batteria può causare irritazioni o ustioni.
- e) **Non usare gruppi batteria o utensili danneggiati o modificati.** Le batterie danneggiate o modificate possono manifestare comportamenti impreveduti, con il rischio di incendio, esplosione o infortunio.
- f) **Non esporre il gruppo batteria o l'utensile a fiamme o temperature eccessive.** L'esposizione a fiamme o temperature superiori a 130°C comporta il rischio di esplosione.
- g) **Rispettare tutte le istruzioni relative alla ricarica e non ricaricare il gruppo batteria o l'utensile a temperature diverse da quelle specificate nelle istruzioni.** Una ricarica eseguita in modo improprio o a temperature diverse da quelle specificate può danneggiare la batteria e aumentare il rischio di incendio.
- 6) **RIPARAZIONI**
- a) **Affidare la riparazione dell'utensile a personale**

**qualificato e utilizzare esclusivamente parti di ricambio identiche.** Ciò garantisce la sicurezza dell'utensile elettrico.

- b) **Non riparare gruppi batteria danneggiati.** La riparazione dei gruppi batteria deve essere effettuata esclusivamente dal costruttore o da un centro di assistenza autorizzato.

#### **AVVERTENZE DI SICUREZZA SPECIFICHE PER SEGHETTI ALTERNATIVI BRUSHLESS**

- **Tenere l'utensile elettrico esclusivamente tramite le impugnature isolanti durante le operazioni in cui l'accessorio di taglio può entrare a contatto con cavi elettrici nascosti.** Se l'accessorio di taglio tocca un cavo elettrificato può trasmettere la corrente alle parti metalliche dell'utensile, esponendo l'operatore al rischio di scossa elettrica.
- **Usare morse o altri dispositivi adatti per supportare il materiale e fissarlo a una piattaforma stabile.** Non tenere mai il materiale con le mani o contro il proprio corpo perché lo rende instabile e comporta il rischio di perdita di controllo.


#### **ACCESSORI**

- SKIL assicura il corretto funzionamento dell'utensile se sono utilizzati accessori originali.
- Utilizzare esclusivamente accessori la cui velocità consentita è almeno equivalente alla velocità a vuoto massima dell'apparecchio.

#### **PRIMA DELL'USO**

- Rimuovere eventuali viti, chiodi e altri elementi presenti nel pezzo in lavorazione per evitare che causino danni.
- **Rilevare l'eventuale presenza di cavi elettrici o tubature nascosti nell'area di lavoro con appositi rilevatori o contattando le relative società responsabili.** Il contatto con cavi elettrici comporta il rischio di incendio e scossa elettrica; il danneggiamento di tubi del gas comporta il rischio di esplosione; la rottura di un tubo dell'acqua comporta il rischio di danni materiali o scossa elettrica.

#### **SICUREZZA PERSONALE**

- Questo utensile non deve essere usato da persone di età inferiore a 16 anni.
- **Non lavorare materiali contenenti amianto.** L'amianto è considerato una sostanza cancerogena.
- Polveri derivanti da materiali come rivestimenti a base di piombo, alcuni tipi di legno, metallo e minerali possono essere tossiche. Toccare o respirare tali polveri può causare, all'utente o alle persone presenti, reazioni allergiche e/o infiammazioni alle vie respiratorie.
- **Indossare una maschera antipolvere e usare sistemi di estrazione della polvere, se disponibili.**
- Alcuni tipi di polveri, ad esempio quelle di quercia e faggio, sono considerate cancerogene, in particolare se il legno è stato trattato (con cromo o preservanti per legno).
- **Indossare una maschera antipolvere e usare sistemi di estrazione della polvere, se disponibili.**
- Rispettare le normative nazionali rilevanti in merito ai materiali con cui si desidera lavorare.
- **Tenere le mani lontane dall'area di taglio e dalla lama; tenere la seconda mano sull'impugnatura secondaria D** . Tenere entrambe le mani a contatto con l'apparecchio per evitare il rischio di lesioni a causa del contatto con la lama.
- **Non allungarsi sotto il materiale in lavorazione,**

perché la distanza tra la propria mano e la lama non è visibile.

- **Non tenere il materiale da tagliare in mano o tra le gambe.** È importante sostenere adeguatamente il materiale per ridurre il rischio di lesioni, piegamento della lama o perdita di controllo.
- **Non usare lame smussate o danneggiate.** Le lame piegate possono rompersi facilmente o causare un contraccolpo.
- **Indossare guanti di protezione durante la rimozione della lama dall'utensile.** La lama può essere molto calda dopo un uso prolungato.
- Indossare occhiali di sicurezza e protezioni per le orecchie.

#### BATTERIE

- **La batteria inclusa è parzialmente carica.** Per garantire la piena capacità della batteria, ricaricarla completamente con il caricabatteria prima di usare l'utensile per la prima volta.
- **Utilizzare esclusivamente le batterie e i caricabatteria elencati di seguito con questo utensile.**
  - Batteria SKIL: BR1\*31\*\*\*\*
  - Caricabatteria SKIL: CR1\*31\*\*\*\*
- Non utilizzare la batteria se è danneggiata. Sostituirla.
- Non disassemblare la batteria.
- Non esporre l'utensile o la batteria alla pioggia.
- Temperature ambientali (utensile/caricabatteria/batteria):
  - Durante la ricarica: da 4°C a 40°C
  - Durante l'uso: da -20°C a +50°C
  - Durante la conservazione: da -20°C a +50°C

#### SIGNIFICATO DEI SIMBOLI SULL'UTENSILE E SULLA BATTERIA

- ③ Leggere il manuale di istruzioni prima dell'uso.
- ④ Le batterie possono esplodere se gettate nel fuoco. Pertanto, non bruciarle per alcun motivo.
- ⑤ Riporre l'utensile, il caricabatteria e la batteria in ambienti la cui temperatura non supera i 50°C.
- ⑥ Non smaltire l'utensile e le batterie insieme ai rifiuti domestici.

#### UTILIZZO

- **Ricarica della batteria**
  - ! **Leggere le istruzioni e le avvertenze di sicurezza fornite insieme al caricabatteria.**
- Rimozione/inserimento della batteria ②
- Indicatore del livello della batteria ⑦
  - Premere il pulsante dell'indicatore del livello della batteria J per visualizzare il livello di carica corrente della batteria ⑦a
  - ! **Quando l'ultima barra dell'indicatore del livello della batteria inizia a lampeggiare dopo aver premuto il pulsante J ⑦b, la batteria è scarica.**
  - ! **Quando 2 barre dell'indicatore del livello della batteria iniziano a lampeggiare dopo aver premuto il pulsante J ⑦c, la temperatura della batteria è fuori dai valori che ne consentono il funzionamento.**
- Interruttore di avvio/arresto con controllo di velocità variabile e pulsante di bloccaggio ⑧ ⑨
  - Per prima cosa, premere il pulsante F.
  - Per avviare/arrestare l'utensile, premere l'interruttore G.
  - Variare la pressione sull'interruttore per regolare la velocità fino al livello massimo.

- Per arrestare l'utensile, rilasciare l'interruttore G.
- Pulsante di bloccaggio F ⑧
  - Se il pulsante di bloccaggio è attivo, l'interruttore di avvio/arresto è bloccato per evitare l'avvio accidentale dell'utensile.
- Doppia luce LED K ⑩
  - La doppia luce LED si accende automaticamente alla pressione dell'interruttore G.
  - ! **Quando le luci LED iniziano a lampeggiare, la funzione di protezione della batteria si è attivata (come descritto di seguito).**
- Protezione della batteria
  - L'utensile si arresta automaticamente, o non si avvia, nei seguenti casi:
    - **Il carico è eccessivo.** --> Rimuovere il carico e riavviare l'utensile.
    - **La temperatura della batteria è inferiore a -20°C o superiore a +50°C.** --> 2 barre dell'indicatore del livello della batteria iniziano a lampeggiare dopo aver premuto il pulsante J ⑦c. Attendere che la batteria raggiunga la temperatura di funzionamento corretta.
    - **La batteria è quasi scarica (protezione contro lo scaricamento profondo).** --> Il livello di carica della batteria è indicato da una barra lampeggiante dopo aver premuto il pulsante J. Ricaricare la batteria.
  - ! **Non premere l'interruttore di avvio/arresto dopo l'arresto automatico dell'utensile per evitare di danneggiare la batteria.**
- Installazione della lama ⑪
  - ! **Rimuovere la batteria prima di regolare l'utensile o sostituire gli accessori.**
    - Ruotare il morsetto della lama C nella direzione indicata dalla freccia sull'utensile e tenerlo in posizione.
    - Inserire la lama (con il lato seghettato rivolto verso l'alto o verso il basso) fino in fondo.
    - Rilasciare il morsetto della lama C.
    - Tirare e spingere la lama per assicurarsi che sia bloccata saldamente.
- Rimozione della lama ⑪
  - ! **Rimuovere la batteria prima di regolare l'utensile o sostituire gli accessori.**
    - Ruotare il morsetto della lama C nella direzione indicata dalla freccia sull'utensile e tenerlo in posizione.
    - Estrarre la lama.
    - Rilasciare il morsetto della lama C.
- Utilizzo dell'utensile
  - ! **Fissare saldamente il materiale in lavorazione.**
    - Contrassegnare la linea di taglio sul materiale.
    - Installare la batteria sull'utensile.
    - Impugnare l'utensile con una mano sull'impugnatura principale H e l'altra sull'impugnatura secondaria isolata D.
    - Avviare l'utensile.
    - Guidare l'utensile lungo la linea di taglio contrassegnata.
    - Mantenere il pattino pivotante B saldamente contro il materiale per minimizzare le vibrazioni e il contraccolpo.
  - Impugnatura e guida dell'utensile
    - ! **Durante l'uso, tenere l'utensile afferrando le aree evidenziate in grigio in figura ⑫**
      - Non coprire le aperture di ventilazione E.
      - Non applicare una pressione eccessiva sull'utensile;

lasciare che l'utensile svolga il lavoro senza forzarlo.

**! Assicurarsi che la lama fuoriesca dal materiale durante tutta la corsa del taglio** <sup>13</sup>

- Regolazione del pattino pivotante <sup>14</sup>
  - Portare il pulsante di bloccaggio F in posizione di bloccaggio, quindi rimuovere il gruppo batteria dall'utensile.
  - Impugnare saldamente l'utensile e regolare il pattino B fino all'angolo desiderato, prestando attenzione a evitare il contatto con la lama.
  - Reinstallare la batteria nell'utensile.

## SUGGERIMENTI PER L'USO

- Taglio a immersione <sup>15</sup>

I tagli a immersione possono essere effettuati nel legno e in altri materiali morbidi senza dover effettuare un foro preliminare.

  - Usare una lama spessa.

**! Rimuovere la batteria prima di regolare l'utensile o sostituire gli accessori.**

  - Contrassegnare la linea di taglio sul materiale.
  - Inclinare l'utensile in modo tale che la lama non sia a contatto con il materiale.
  - Avviare l'utensile e inserire con attenzione la lama in movimento nel materiale.
  - Quando la lama è penetrata a sufficienza nel materiale, proseguire il taglio lungo la linea contrassegnata.

**! Non effettuare tagli a immersione in materiali metallici.**

  - Utilizzare la lama appropriata. <sup>16</sup>
  - Durante il taglio di metallo, lubrificare la lama regolarmente con dell'olio.
  - Taglio senza spaccature
    - Ricoprire la linea di taglio con diversi strati di nastro adesivo prima del taglio.
    - Orientare il lato esposto del materiale verso il basso.
  - Per ulteriori informazioni, visitare il sito web [www.skil.com](http://www.skil.com)

## MANUTENZIONE E RIPARAZIONE

- Questo utensile non è destinato all'uso professionale.
- Mantenere l'utensile sempre pulito (in particolare le aperture di ventilazione E <sup>2</sup>).
- ! Rimuovere la batteria dall'utensile prima di pulirlo.**
- Se l'utensile presenta malfunzionamenti nonostante l'attenzione durante la fabbricazione e il collaudo, deve essere riparato da un centro di assistenza autorizzato SKIL.
  - Portare l'utensile senza disassemblarlo insieme a una prova di acquisto presso il rivenditore o a un centro di assistenza SKIL (gli indirizzi e la vista esplosa dell'utensile sono riportati sul sito web [www.skil.com](http://www.skil.com)).
- Nota: i danni causati dal sovraccarico o da un utilizzo improprio dell'utensile non sono coperti dalla garanzia (le condizioni della garanzia SKIL sono consultabili sul sito web [www.skil.com](http://www.skil.com) o presso il rivenditore).

## PROTEZIONE AMBIENTALE

- Non smaltire gli utensili, le batterie, gli accessori e i materiali di imballaggio insieme ai rifiuti domestici (solo per i Paesi UE).
  - Ai sensi della direttiva europea 2012/19/EC sui rifiuti di apparecchiature elettriche ed elettroniche e alla

sua implementazione nella legislazione nazionale, gli utensili elettrici devono essere raccolti separatamente e portati presso un'apposita struttura di riciclaggio.

- Il simbolo <sup>6</sup> indica tale obbligo.

**! Prima dello smaltimento, proteggere i terminali della batteria con del nastro isolante per evitare il rischio di corto circuito.**

## EMISSIONE ACUSTICA E VIBRAZIONI

- I valori di emissioni acustica e delle vibrazioni sono stati misurati conformemente a EN 62841. Il livello di pressione sonora dell'utensile è di **87 dB(A)** e il livello di potenza sonora è di **98 dB(A)** (incertezza K = 3 dB). Il livello di vibrazioni è \* (somma vettoriale triassiale; incertezza K = 1,5 m/s<sup>2</sup>)
    - \* Taglio di pannelli: **10,58 m/s<sup>2</sup>**
    - \* Taglio di travi in legno: **8,46 m/s<sup>2</sup>**
  - Il valore totale di emissione delle vibrazioni è stato misurato con il metodo valutazione standard prescritto da EN 62841 e può essere utilizzato per confrontare l'utensile con altri prodotti analoghi e per una valutazione preliminare dei livelli di esposizione.
    - L'utilizzo dell'utensile per altri scopi, o l'utilizzo di accessori diversi o in cattive condizioni, può **aumentare** significativamente il livello di esposizione.
    - Il periodo in cui l'utensile è spento, o è in funzione ma non in uso, può ridurre significativamente il livello di esposizione.
- ! Per proteggersi dagli effetti delle vibrazioni, mantenere l'utensile e gli accessori in buono stato, tenere le mani calde e pianificare il lavoro.**

H

**Szénkefe nélküli akkus lengőfűrész**

**3475**

## BEVEZETÉS

- Az eszköz fa, műanyag, fém és építőanyagok vágására, valamint metszésre és fa vágására szolgál.
- Ez a szerszám nem professzionális használatra készült.
- Olvassa el figyelmesen és őrizze meg ezt a használati utasítást. <sup>3</sup>

## MŰSZAKI ADATOK <sup>1</sup>

### A SZERSZÁM RÉSZEI <sup>2</sup>

- A Penge
- B Forgótalp
- C Fűrészlap rögzítő
- D Elülső markolat
- E Szellőzőnyílások
- F Reteszelő gomb
- G Be/Ki kapcsoló és sebességszabályozó
- H Fogantyú
- J Akkumulátor töltésségi szintjét jelző gomb
- K Dupla LED lámpák

## BIZTONSÁG

## AZ ELEKTROMOS SZERSZÁMOKRA VONATKOZÓ ÁLTALÁNOS BIZTONSÁGI FIGYELMEZTETÉSEK

**FIGYELMEZTETÉS** Olvassa el az elektromos kéziszerszámhoz mellékelt összes biztonsági figyelmeztetést, utasítást, ábrát és specifikációt. Az alább felsorolt utasítások be nem tartása áramütést, tűzveszélyt és/vagy súlyos sérülést idézhet elő.

**Őrizzen meg minden figyelmeztetést és utasítást, hogy később is elő tudja majd venni.**

Az „elektromos kéziszerszám” megnevezés a figyelmeztetéseken egyaránt vonatkozik a hálózati feszültségről működtetett (vezetékes) elektromos kéziszerszámokra, valamint az akkumulátorról működtetett (vezeték nélküli) elektromos kéziszerszámokra.

### 1) MUNKATERÜLETI BIZTONSÁG

- a) **A munkaterület legyen tiszta és jól megvilágított.** A munkaterületen uralkodó rendtelenségnek vagy a rossz megvilágításnak baleset lehet a következménye.
- b) **Ne használjon elektromos szerszámokat robbanásveszélynek kitett környezetben, például olyan helyen, ahol éghető folyadékok, gázok vagy porok találhatóak.** Az elektromos szerszámok szikrákat képeznek, amelyek meggyújthatják a porokat vagy gázokat.
- c) **Tartsa távol a gyermekeket és az illetéktelen személyeket, amikor elektromos szerszámmal dolgozik.** Ha megzavarják, elveszítheti uralmát a készülék felett.

### 2) ELEKTROMOS BIZTONSÁG

- a) **Az elektromos szerszám hálózati csatlakozódugójának illeszkednie kell az elektromos aljzathoz. Soha és semmiképpen se módosítsa a csatlakozódugót. Ne használjon adapteres csatlakozódugókat a földelt elektromos szerszámokhoz.** Az eredeti csatlakozódugó és megfelelő hálózati aljzat alkalmazásával megelőzi az áramütés veszélyét.
- b) **Ne érjen földelt felületekhez, ilyenek pl. a csövek, fűtőtestek, tűzhelyek vagy hűtőszekrények.** Az áramütés kockázata nagyobb, ha a teste le van földelve.
- c) **Ne tegye ki az elektromos szerszámot esőnek vagy nedves környezetnek.** Az elektromos szerszámba bekerülő víz megnöveli az áramütés kockázatát.
- d) **Ne használja a kábelt helytelen módon. Soha ne használja a kábelt az elektromos szerszám hordozására, húzására vagy lecsatlakoztatására.** Tartsa távol a vezetéket hőtől, olajtól, éles szegélyektől és mozgó alkatrészekről. A sérült vagy összegabalyodott hálózati kábelek megnövelik az áramütés veszélyét.
- e) **Az elektromos szerszám szabadtéri üzemeltetéséhez használjon szabadtéren használható hosszabbító kábelt.** A szabadtéren használható kábel alkalmazása csökkenti az áramütés kockázatát.
- f) **Ha elkerülhetetlen az elektromos szerszám használata nedves helyen, használjon földzárlat-megszakítóval (FI-relé) ellátott tápellátást.** A FI-relé használata csökkenti az áramütés veszélyét.

### 3) SZEMÉLYI BIZTONSÁG

- a) **Legyen figyelmes, ügyeljen arra, amit csinál, és józan ésszel fogjon a munkához, ha elektromos szerszámot használ. Ne használja az elektromos szerszámot, ha fáradtnak érzi magát, vagy ha kábítószert, alkohol vagy gyógyszerek hatása alatt áll.** Az elektromos szerszám üzemeltetése közben egy pillanatnyi figyelmen kívül hagyás súlyos személyi sérülést okozhat.
  - b) **Használjon egyéni védőfelszerelést. Mindig viseljen védőszemüveget.** A védőfelszerelések, mint például porvédő maszk, csúszásmentes lábbeli, sisak és hallásvédő, rendeltetésszerű használatára révén elkerüli a sérülési veszélyeket.
  - c) **Akadályozza meg a véletlen indítást. Ügyeljen arra, hogy a kapcsoló kikapcsoló állásban legyen, mielőtt az áramforráshoz és/vagy az akkumulátoregységhez csatlakoztatja, felveszi vagy viszi a szerszámot.** Balesetekhez vezethet, ha a hálózatra csatlakoztatott szerszámot úgy viszi, hogy közben az uja a bekapcsoló gombon van, vagy ha a hálózati csatlakozódugót olyankor dugja be az aljzatba, amikor be van kapcsolva a szerszám.
  - d) **Vegye ki a csavarkulcsot és a beállító szerszámot, mielőtt az elektromos szerszámot bekapcsolná.** Az elektromos szerszám mozgó alkatrészén felejtett csavarkulcs vagy eszköz személyi sérülést okozhat.
  - e) **Ne hajoljon a szerszám fölé. Vegyen fel stabil testhelyzetet, és mindig tartsa meg az egyensúlyát.** Ezáltal jobban tudja irányítani az elektromos szerszámot a legváratlanabb helyzetben is.
  - f) **Viseljen megfelelő ruházatot. Ne hordjon laza, bő ruhát, és ne viseljen ékszert. A haj és a ruházat ne érjen a mozgó részekhez.** A laza ruházatot, az ékszert vagy a hosszú hajat becsipethetik a mozgó alkatrészek.
  - g) **Ha az elektromos kéziszerszámot porfelszívó vagy porfelfogó eszközzel szerelik fel, akkor győződjön meg arról, hogy ezek előírászerűen vannak-e csatlakoztatva, és használja őket a rendeltetésüknek megfelelően.** Porgyűjtő használatára csökkentheti a porral járó veszélyeket.
  - h) **Ne hagyja, hogy a rendszeres használat során megszerzett tapasztalat miatt túl magabiztossá váljon, és emiatt figyelmen kívül hagyja a biztonsági irányelveket.** Egy óvatlan cselekedet a másodperc töredéke alatt súlyos sérülést okozhat.
- ### 4) AZ ELEKTROMOS SZERSZÁM ÜZEMELTETÉSE ÉS GONDOZÁSA
- a) **Ne terhelje túl az elektromos szerszámot. A munkájához használja az arra alkalmas elektromos kéziszerszámot.** A megfelelő elektromos szerszámmal jobban és biztonságosabban dolgozhat a megadott teljesítményhatárokon belül.
  - b) **Ne használja az elektromos szerszámot, ha nem lehet a bekapcsoló gomb segítségével be- vagy kikapcsolni.** Az olyan elektromos szerszám, amely nem irányítható a kapcsolóval, veszélyes és javításra szorul.
  - c) **Húzza ki a hálózati csatlakozó dugót az aljzataból és/vagy vegye ki az akkumulátoregységet (ha kivehető) az elektromos szerszámból, mielőtt beállításokat végezne, tartozékot cserélné vagy az elektromos szerszámot elrakná.** Az ilyen megelőző biztonsági óvintézkedések csökkentik az elektromos szerszám véletlen beindításának kockázatát.



- d) A használaton kívüli elektromos szerszámokat gyermekektől távol tárolja, és ne engedje meg, hogy olyan személyek használják az elektromos szerszámot, akik nem ismerik azt, vagy nincsenek tisztában ezekkel a biztonsági utasításokkal. Az elektromos szerszámok veszélyt jelentenek a gyakorlatlan felhasználó kezében.
- e) Gondosan tartsa karban az elektromos szerszámot és tartozékait. Ellenőrizze a mozgó részek beállítását és rögzítését, vizsgáljon meg minden részt, nem sérült-e, és ellenőrizze, nem állnak-e fenn olyan körülmények, amelyek befolyásolhatják az elektromos szerszám helyes működését. Használat előtt javíttassa meg a sérült elektromos szerszámot. A rosszul karbantartott elektromos szerszámok sok balesetet okoznak.
- f) A vágószerszámok legyenek mindig élesek és tiszták. A megfelelően karbantartott és kiélezett vágóélekkel rendelkező vágószerszámok kevésbé hajlamosak az elgörbülésre, valamint könnyebben kezelhetők.
- g) Az elektromos szerszámot, tartozékokat és szerszámfejeket, stb. mindig ezen biztonsági utasításoknak megfelelően használja, mindig vegye figyelembe a munkakörülményeket, és legyen tekintettel a megmunkálandó munkadarabra. Az elektromos kéziszerszám előírt rendeltetési céltól eltérő használata veszélyes helyzetet eredményezhet.
- h) Tartsa szárazon, tisztán, olajtól és zsírtól mentesen a fogantyúkat és a tartófelületeket. A csúszós fogantyúk és tartófelületek miatt a szerszám kezelése és vezérése váratlan helyzetekben nem biztonságos.
- 5) **AZ AKKUMULÁTORRAL MŰKÖDŐ SZERSZÁM ÜZEMELTETÉSE ÉS GONDOZÁSA**
- a) Csak a gyártó által meghatározott töltőt használja. Az olyan töltő, amely egy típusú akkumulátoregységhez alkalmas, tűzveszélyt okozhat, ha más típusú akkumulátoregységhez használja.
- b) Az elektromos szerszámokat csak speciálisan meghatározott akkumulátoregységekkel használja. Bármely más akkumulátoregység használata sérülés- vagy tűzveszélyt okozhat.
- c) Amikor nem használja az akkumulátoregységet, tartsa távol más fémtárgyaktól, például gemkapcsoktól, érméktől, kulcsoktól, szögektől, csavaroktól vagy más kis fémtárgyaktól, amelyek kapcsolatba léphetnek vele. Az akkumulátorok kapcsolata rövidzárlata égési sérülést vagy tüzet okozhat.
- d) Nem megfelelő körülmények között folyadék szívároghat az akkumulátorból; ne érjen ehhez. Amennyiben véletlenül hozzáérne, mossa le vízzel. Ha ez a folyadék szembe kerül, forduljon orvoshoz is. Az akkumulátorból kiszivárgó folyadék irritációt vagy égési sérülést okozhat.
- e) Ne használjon sérült vagy módosított akkumulátoregységet vagy szerszámot. A sérült vagy módosított akkumulátorok előre nem látható viselkedést válthatnak ki, amelyek eredménye tűz, robbanás vagy sérülésveszély lehet.
- f) Ne tegye ki az akkumulátoregységet tűznek vagy túl magas hőmérsékletnek. Ha tűznek, vagy 130 °C feletti hőmérsékletnek teszi ki, akkor felrobbanhat.

- g) Tartsa be a töltési utasításokat, és ne töltsse az akkumulátoregységet vagy a szerszámot az utasításokban meghatározott hőmérséklet-tartományon kívül. A nem megfelelő vagy a meghatározott hőmérséklet-tartományon kívüli töltés károsíthatja az akkumulátort, és növeli a tűzveszélyt.

## 6) SZERVIZ

- a) Az elektromos kéziszerszám szervizelését szakképzett szerelő végezze, csak az eredetivel megegyező cserealkatrészek felhasználásával. Ezzel biztosítja az elektromos szerszám biztonságának fenntartását.
- b) Soha ne szervizeljen sérült akkumulátoregységet. Az akkumulátoregységet csak a gyártó vagy felhatalmazott szerviz szolgáltató szervizelheti.

## A SZÉNKEFE NÉLKÜLI LENGŐFŰRÉSZEKRE VONATKOZÓ BIZTONSÁGI UTASÍTÁSOK

- Az elektromos kéziszerszámot csak a szigetelt fogantyúfelületeknél fogva tartsa, ha olyan munkát végez, amelynek során a betétszerszám feszültség alatt áll, kívülről nem látható vezetékhez érhet (ha a berendezés egy feszültség alatt álló vezetékhez ér, az elektromos kéziszerszám fémrészei szintén feszültség alá kerülhetnek és áramütéshez vezethetnek)
- Szorítóval vagy más praktikus módon rögzítse, és támassza meg a munkadarabot egy stabil tartóállványon (ha csak a kezével tartja vagy a testéhez támasztja a munkadarabot, elveszítheti a stabilitást, valamint az uralmat a gép felett)

## TARTOZÉKOK

- SKIL cég kizárólag eredeti alkatrészek és kiegészítők alkalmazása esetén tudja garantálni a gép problémamentes működését
- Csak olyan tartozékokat használjon, amelyek legmagasabb megengedett fordulatszáma legalább akkora, mint a berendezés legmagasabb üresjárati fordulatszáma

## HASZNÁLAT ELŐTT

- Ügyeljen arra, hogy a munkadarabban lévő csavar, szög vagy hasonló sérüléseket ne okozhasson; a munka megkezdése előtt ellenőrizendő
- A rejtett vezetékek felkutatásához használjon alkalmas fémkereső készüléket, vagy kérje ki a helyi energiaellátó vállalat tanácsát (ha egy elektromos vezetékeket a berendezéssel megérint, ez tűzhez és áramütéshez vezethet; egy gázvezeték megrongálása robbanást eredményezhet; egy vízvezetékbe való behatolás anyagi károkhöz és áramütéshez vezethet)

## SZEMÉLYI BIZTONSÁG

- A készüléket csak 16 éven felüli személyek használhatják
- Ne munkáljon meg a berendezéssel azbeszttel tartalmazó anyagokat (az azbesztnak rákkeltő hatású anyagnak minősül)
- Az olyan anyagokból származó por, mint például az olmot tartalmazó festékek, néhány fafajta, ásványi anyagok és fém, káros lehet (a por megérintése vagy belégzése allergiás reakciókat és/vagy légzőszervi betegségeket okozhat a kezelő, illetve a közelben állók esetében); viseljen pormaszkot, és amennyiben csatlakoztatható, dolgozzon poreszívó berendezéssel
- Bizonyos porfajták rákkeltő besorolással rendelkeznek (ilyen például a tölgy- és a bükkfa pora), különösen a fa kondicionálására szolgáló adalékokkal együtt; viseljen



**pormaszkot és amennyiben csatlakoztatható, dolgozzon porelszívó berendezéssel**

- Kövesse a por kezelésével kapcsolatos helyi előírásokat azon termékekkel kapcsolatosan, amellyel dolgozni kíván
- **Tartsa távol kezét a vágófelülettől és a fűrészlaptól; a szabad kezét tartsa a D 2 elülső markolaton** (ha két kézzel tartja a fűrész, elkerülheti a fűrészlap okozta sérüléseket)
- **Ne érintse meg a munkadarab alsó részét** (mivel a fűrészlap és a kéz helyzete így takarásba kerül)
- **Soha ne tartsa kezében vagy térdén átvetve a levágandó darabot** (elengedhetetlen a munkadarab biztonságos alátámasztása, hogy ezáltal minimálisra csökkentse testi épségének veszélyeztetését vagy a szerszám beszorulását, illetve az a feletti irányítási képesség elvesztését)
- **Ne használjon életlen vagy megrongálódott fűrészlapot** (a meggörbült fűrészlapok könnyen eltörhetnek vagy visszarughatnak)
- **Használjon védőkesztyűt, amikor kiveszi a fűrészlapot a szerszámból** (a hosszabb használatól a fűrészlap felforrósodhat)
- Viseljen védőszemüveget és zaj elleni fülvédőt

#### AKKUMULÁTOROK

- **A tartozék akkumulátor részlegesen van feltöltve** (az akkumulátor teljes kapacitásának biztosítása érdekében az elektromos szerszám első használata előtt töltsse fel teljesen az akkumulátort az akkumulátortöltőben)
- **Csak a következő akkumulátorokkal és töltőkkel használja a szerszámot**
  - SKIL akkumulátor: BR1\*31\*\*\*\*
  - SKIL töltő: CR1\*31\*\*\*\*
- A hibás akkumulátor ne használja, hanem cserélje ki
- Ne szerelje szét az akkumulátort
- A szerszámot/akkumulátort óvja az esőtől
- Megengedett környezeti hőmérséklet (szerszám/töltő készülék/akkumulátor):
  - a töltés során 4...40°C
  - a használat során -20...+50°C
  - a tárolás során -20...+50°C

#### A KÉSZÜLÉKEN/AKKUMULÁTORON TALÁLHATÓ SZIMBÓLUMOK MAGYARÁZATA

- ③ Használat előtt olvassa el a használati utasítást
- ④ Ha az akkumulátorok tűzbe kerülnek, akkor felrobbanhatnak, ezért semmilyen okból ne égesse el az akkumulátorokat
- ⑤ Ne tárolja a szerszámot/töltőt/akkumulátort 50°C feletti helyiségben
- ⑥ Ne dobja ki az elektromos szerszámokat és az akkumulátorokat a háztartási hulladékok közé

#### KEZELÉS

- **Az akkumulátor töltése**
  - ! olvassa el a töltővel kapott biztonsági figyelmeztetéseket és utasításokat
- Az akkumulátor kivétele/berakása ②
- Akkumulátor töltésszintjelző ⑦
  - nyomja meg az akkumulátor töltöttségi szintjét jelző J gombot az aktuális akkumulátorszint ⑦ a kijelzéséhez
  - ! ha a J ⑦ b gomb megnyomása után az akkumulátor kijelzőjének legalacsonyabb szintje villogni kezd, akkor az akkumulátor lemerült
  - ! ha a J ⑦ c gomb megnyomása után az akkumulátor töltésszintjelző 2. szintje villogni

**kezd, az akkumulátor nincs a megengedett üzemi hőmérséklet-tartományon belül**

- Reteszelőgombbal ⑧ ⑨ ellátott kombinált kapcsoló a ki-/bekapcsolásra, valamint a sebességszabályozásra
  - először oldja ki az F gomb megnyomásával
  - kapcsolja be a gépet a G kapcsoló lenyomásával
  - kapcsolóra gyakorolt nyomás megváltoztatásával a sebesség fokozatmentesen nulláról max. fordulatszámig szabályozható
  - kapcsolja ki a G indítókapcsoló felengedésével
- Az F reteszelőgomb aktiválható ⑧
  - aktiválás után a be-/kikapcsoló blokkolja, a gép pedig biztosítva lesz a véletlenszerű bekapcsolással szemben
- Dupla LED lámpák K ⑩
  - A dupla LED lámpák automatikusan felkapcsolnak a G kapcsoló aktiválásakor
  - ! ha a LED lámpa elkezd villogni, életbe lép az akkumulátorkímélés (lásd az alábbiakban)
- Az akkumulátor védelme
  - szerszám hirtelen kikapcsol vagy nem lehet visszakapcsolni, ha
    - túl nagy a terhelés --> távolítsa el a terhelést és kezdje újra
    - az akkumulátor hőmérséklete nem a -20 és +50 °C közötti megengedett üzemi hőmérséklettartományon belül van --> az akkumulátor töltésszintjének 2. szintje villogni kezd a J ⑦ c gomb megnyomásakor; várjon, amíg az akkumulátor ismét a megengedett üzemi hőmérséklet-tartományba kerül
    - az akkumulátor majdnem lemerült (a mélykiszülés elleni védelem érdekében) --> alacsony akkumulátor töltésszint vagy villogó ub alacsony akkumulátor töltésszint az akkumulátor töltésszintjelzőn látható a J gomb megnyomásakor; töltsse fel az akkumulátort
    - ! ha a készülék automatikusan kikapcsolt, ne próbálja nyomogatni a be-/kikapcsoló gombot, mert az akkumulátor károsodhat
- A fűrészlap felszerelése ⑪
  - ! vegye ki az akkumulátort a szerszámot, mielőtt beállításokat végezne vagy cserélné a tartozékokat
    - nyomja a C fűrészlaprögzítőt a szerszámon lévő nyíl irányába, és tartsa abban a pozícióban
    - helyezze be a fűrészlapot (a fogakkal felfelé, vagy lefelé) teljes mélységig
    - engedje ki a C fűrészlaprögzítőt
    - nyomja be és húzza ki a fűrészlapot, ellenőrizve, hogy megfelelően rögzült-e
- A fűrészlap eltávolítása ⑪
  - ! vegye ki az akkumulátort a szerszámot, mielőtt beállításokat végezne vagy cserélné a tartozékokat
    - nyomja a C fűrészlaprögzítőt a szerszámon lévő nyíl irányába, és tartsa abban a pozícióban
    - húzza ki a lapot
    - engedje ki a C fűrészlaprögzítőt
- A szerszám használata
  - ! biztonságosan rögzítse a munkadarabot
    - jelölje ki a vágási vonalat a munkadarabon
    - akkumulátor felszerelése a szerszáma
    - fogja a szerszámot egyik kezével a H fogantyúnál,

- másík kezével pedig a szigetelt D elülső markolatnál
- kapcsolja be a gépet
- vezesse végig a szerszám a kijelölt vágási vonal mentén
- tartsa stabilan a munkadarabnak a B forgótalpat, hogy minimalizálja az ellenerőt és a rezgést
- A szerszám vezetése és tartása
  - ! **munka közben végig a sziürke színű markolati terület(ek)nél fogva tartsa a gépet** ⑫
  - tartsa szabadon az E szellőzőnyílásokat
  - ne gyakoroljon túl nagy nyomást a gépre; hagyja, hogy a gép dolgozzon ön helyett
  - ! **ügyeljen rá, hogy a fűrészlappal túlnyúljon a munkadarabon a lökések során** ⑬
- A talp elforgatása ⑭
  - nyomja az F reteszelő gombot zárt helyzetbe, majd vegye ki az akkumulátort a szerszámból.
  - tartsa szilárdan a fűrészt, majd forgassa el a B talpat a kívánt szögbe, ügyelve rá, hogy elkerülje a fűrészlappal való érintkezést.
  - helyezze vissza az akkumulátort, és készítse elő a vágást

## HASZNÁLAT

- Beszúró vágás ⑮
  - Fában és más puha anyagokban alkalmazhat beszúró vágást, lyuk előfúrása nélkül
  - használjon vastag fűrészlappot
  - ! **vegye ki az akkumulátort a szerszámot, mielőtt beállításokat végezne vagy cserélné a tartozékokat**
  - jelölje ki a vágási vonalat a munkadarabon
  - döntse meg úgy a szerszám, hogy a fűrészlappal ne érjen hozzá a munkadarabhoz
  - kapcsolja be a szerszám, és lassan mélyessze a fűrészlappot a munkadarabba
  - miután a fűrészlappal áthatott a munkadarabon, folytassa a fűrészelést a kijelölt vágási vonal mentén
  - ! **ne alkalmazza a beszúró vágást fém anyagokban**
- Fontos, hogy mindig megfelelő fűrészlappot használjon ⑯
- Féme vágása esetén rendszeresen olajozza a fűrészlappot
- Szilánkmentes vágás
  - a vágást megelőzően ragassza le több rétegben a vágási vonalat széles szigetelőszalaggal
  - a munkadarab színét mindig lefelé fordítsa
- A további információkért lásd a [www.skil.com](http://www.skil.com) oldalt

## KARBANTARTÁS / SZERVIZ

- Ez a szerszám nem professzionális használatra készült
- Mindig tartsa tisztán a szerszámot (különös tekintettel a szellőzőnyílásokra) ⑰
  - ! **tisztítás előtt vegye ki az akkumulátort**
- Ha a szerszám a gondos gyártási és ellenőrzési eljárás ellenére egyszer mégis meghibásodna, akkor a javítással csak SKIL elektromos kéziszerszám-műhely ügyfélszolgálatát szabad megbízni
  - megbontás nélküli állapotában küldje a szerszámot a vásárlást bizonyító számlával együtt a márkakereskedő vagy a legközelebbi SKIL szervizállomás címére (a címlista és a gép szervizdiagramja a [www.skil.com](http://www.skil.com) címen található)

- Vegye figyelembe, hogy a szerszám túlterheléséből vagy helytelen kezeléséből eredő károk nem tartoznak a garancia hatálya alá (a SKIL garanciális feltételeit elolvashatja a [www.skil.com](http://www.skil.com) oldalon, vagy kérdezze meg kereskedőjét)

## KÖRNYEZET

- Az elektromos szerszámokat, akkumulátorokat, tartozékokat és csomagolást ne tegye a háztartási hulladékok közé (csak EU-országok számára)
  - az elektromos és elektronikus berendezések hulladékairól szóló 2012/19/EK európai irányelv és annak a nemzeti joggal összhangban történő végrehajtása értelmében az elhasznált elektromos szerszámokat külön kell gyűjteni, és környezetbarát módon újra kell hasznosítani
  - erre emlékeztet a ① jelzés, amennyiben felmerül az intézkedésre való igény
- ! **ártalmatlanítás előtt erős szigetelőszalaggal védje az akkumulátor csatlakozásait a rövidzárlat elkerülése érdekében**

## ZAJ / REZGÉS

- Az EN 62841 szabványnak megfelelően végzett mérés szerint a szerszám hangnyomásszintje **87 dB(A)**, a hangteljesítményszintje **98 dB(A)** (bizonytalanság K = 3 dB), a rezgés pedig \* (háromtengelyű vektor összege; bizonytalanság K = 1,5 m/s<sup>2</sup>)
  - \* vágólap **10, 58 m/s<sup>2</sup>**
  - \* fagerendák vágása **8, 46 m/s<sup>2</sup>**
- A rezgés kibocsátási szint mérése az EN 62841 szabványosított vizsgálat szerint történt; ez az érték felhasználható egy szerszám és egy másik szerszám összehasonlítására, valamint a rezgésnek való kitettség előzetes értékelésére, amikor a szerszámot az említett alkalmazásokhoz használják
  - a szerszám különböző alkalmazásokhoz való használata, vagy más vagy rosszul karbantartott tartozékokkal történő használata jelentősen **megnövelheti** a kitettség szintjét
  - azok az idők, amikor a szerszám ki van kapcsolva, vagy működik ugyan, de valójában nem végez munkát, jelentős mértékben csökkenthetik a kitettség szintjét
- ! **védekezzen a rezgés hatása ellen a szerszám és tartozékai karbantartásával, a kezek melegen tartásával és a munkamódszerek megszervezésével**

(CZ)

## Bezkontaktní akkumulátorová vrtná pila

3475

## ÚVOD

- Tento nástroj je určen pro řezání dřeva, plastů, kovů a stavebních materiálů, jakož i pro prořezávání a prořezávání stromů.
- Tento nástroj není určen k profesionálnímu použití.
- Tento návod s pokyny si pečlivě přečtěte a uschovejte. ③

## TECHNICKÉ ÚDAJE ①

## SOUČÁSTI NÁŘADÍ ②

- A Pilový list
- B Vodící patka
- C Svorka pilového listu
- D Bubnové madlo
- E Větrací štěrbiny
- F Aretační tlačítko
- G Hlavní vypínač a regulace rychlosti
- H Rukojeť
- J Tlačítko kontrolky nabití akumulátoru
- K Dvojitě LED osvětlení

## BEZPEČNOST

### OBCENÁ BEZPEČNOSTNÍ VAROVÁNÍ PRO PRÁCI S ELEKTRICKÝM NÁŘADÍM

**⚠ VAROVÁNÍ** Prostudujte si všechny bezpečnostní výstrahy, pokyny, ilustrace a technické údaje dodané s tímto elektrickým nářadím. Nedodržení všech níže uvedených pokynů může vést k úrazu elektrickým proudem, požáru a/nebo vážnému úrazu.

**Všechna varování a pokyny uschovejte pro budoucí použití.**

Termín „elektrické nářadí“ ve varováních odkazuje na vaše elektrické nářadí (s kabelem) nebo akumulátorové nářadí (bez kabelu).

#### 1) BEZPEČNOST NA PRACOVÍŠTI

- a) **Udržujte pracovní prostor v čistotě a dobře osvětlený.** Nepořádek nebo neosvětlené pracovní oblasti bývají příčinou úrazů.
- b) **Nepracujte s elektrickým nářadím ve výbušném prostředí, například v přítomnosti hořlavých kapalin, plynů nebo prachu.** Elektrické nářadí je zdrojem jiskření, které může zapálit prach nebo výpary.
- c) **Při práci s elektrickým nářadím udržujte děti a přihlížející osoby v bezpečné vzdálenosti.** Nesoustředěnost může způsobit ztrátu kontroly.

#### 2) ELEKTRICKÁ BEZPEČNOST

- a) **Zástrčky elektrického nářadí musí odpovídat zásuvkám.** V žádném případě nikdy neupravujte zástrčku. S uzemněným elektrickým nářadím nepoužívejte žádné rozbočovací zásuvky. Neupravené zástrčky a shodné zásuvky snižují riziko úrazu elektrickým proudem.
- b) **Zabraňte kontaktu těla s uzemněnými povrchy, jako jsou potrubí, radiátory, sporáky a ledničky.** Existuje zvýšené riziko úrazu elektrickým proudem, pokud je vaše tělo uzemněno.
- c) **Nevystavujte elektrické nářadí dešti nebo vlhkému prostředí.** Vniknutí vody do elektrického nářadí zvyšuje riziko úrazu elektrickým proudem.
- d) **Nezatěžujte kabel.** Nikdy nepoužívejte napájecí kabel k přenášení nářadí, tahání nebo vytahování zástrčky ze zásuvky. Udržujte kabel daleko od tepla, oleje, ostrých hran nebo pohyblivých částí. Poškozené nebo spletené kabely zvyšují riziko úrazu

elektrickým proudem.

- e) **Při práci s nářadím venku používejte prodlužovací kabel vhodný pro venkovní použití.** Použití kabelu vhodného pro venkovní použití snižuje riziko úrazu elektrickým proudem.
  - f) **Pokud musíte s elektrickým nářadím pracovat ve vlhkém prostředí, použijte napájení s ochranou proti zbytkovému proudu (RCD).** Použití RCD snižuje riziko úrazu elektrickým proudem.
- #### 3) BEZPEČNOST OSOB
- a) **Při práci s elektrickým nářadím buďte stále pozorní, sledujte, co děláte a používejte zdravý rozum. Nepoužívejte elektrické nářadí, jste-li unaveni nebo pod vlivem drog, alkoholu nebo léků.** Chvilka nepozornosti při práci s nářadím může vést k vážnému zranění.
  - b) **Používejte osobní ochranné pracovní prostředky. Vždy používejte ochranu očí. Ochranné pomůcky, jako např. respirátor, protiskluzová bezpečnostní obuv, pevná pílba nebo chrániče sluchu používané ve vhodném prostředí sníží riziko úrazu.**
  - c) **Zabraňte náhodnému spuštění. Před připojením ke zdroji napětí a/nebo akumulátoru, zvedáním nebo přenášením nářadí se ujistěte, že vypínač je ve vypnuté poloze.** Přenášení nářadí s prstem na hlavním spínači nebo zapojení nářadí, které má spínač v zapnuté poloze, může způsobit nehody.
  - d) **Před zapnutím elektrického nářadí odstraňte seřizovací klíče nebo klíče.** Nástroj nebo klíč, který zůstane upevněn k otáčející se části elektrického nářadí, může způsobit osobní zranění.
  - e) **Nepřeceňujte své síly. Vždy udržujte pevný postoj a rovnováhu.** To umožní lepší ovládnání elektrického nářadí v nečekaných situacích.
  - f) **Používejte vhodný oděv. Nenoste volný oděv ani šperky. Udržujte své vlasy a oblečení mimo dosah pohyblivých se částí.** Volný oděv, šperky nebo dlouhé vlasy se mohou zachytit do pohyblivých se částí.
  - g) **Pokud je zařízení vybaveno adaptérem pro připojení odsávání prachu a sběrnými zařízeními, zajistěte jejich správné připojení a řádnou funkci.** Použití odsávání prachu může snížit nebezpečí týkající se prachu.
  - h) **Nedovolte, abyste se po získání zkušeností častým používáním nástrojů stali neobezřetnými a ignorovali zásady bezpečnosti.** Nedbalá činnost může způsobit vážné zranění za zlomek sekundy.
- #### 4) POUŽITÍ A PÉČE O ELEKTRICKÉ NÁŘADÍ
- a) **Netlačte příliš na nářadí. Používejte správný typ nářadí pro vaše použití.** Správné elektrické nářadí bude pracovat lépe a bezpečněji rychlostí, pro kterou bylo navrženo.
  - b) **Nepoužívejte elektrické nářadí v případě, že vypínač nefunguje.** Jakékoliv elektrické nářadí, které nelze ovládat vypínačem, je nebezpečné a musí se opravit.
  - c) **Před jakýmkoliv seřizováním, výměnou příslušenství nebo před uložением nepoužívaného elektrického nářadí odpojte napájení nebo akumulátor, jde-li to provést.** Tato preventivní bezpečnostní opatření snižují riziko náhodného spuštění elektrického nářadí.
  - d) **Nepoužívané elektrické nářadí uchovávejte mimo dosah dětí a nenechte s elektrickým nářadím**

- pracovat osoby, které se neseznámily s elektrickým nářadím nebo těmito pokyny.** Elektrické nářadí je v rukou nekvalifikované obsluhy nebezpečné.
- e) **Udržujte elektrické nářadí a příslušenství.** Zkontrolujte vychýlení či zaseknutí pohyblivých částí, poškození jednotlivých dílů a jiné okolnosti, které mohou ovlivnit chod nářadí. Je-li nářadí poškozeno, nechejte ho před použitím opravit. Mnoho nehod je způsobeno nedostatečnou údržbou nářadí.
  - f) **Udržujte řezné nástroje ostré a čisté.** Řádně udržované řezné nástroje s ostrými řeznými hranami nemají tendenci se ohýbat a lépe se ovládají.
  - g) **Používejte elektrické nářadí, příslušenství a nástrojové bity atd. v souladu s těmito pokyny s přihlédnutím k pracovním podmínkám a práci, která má být provedena.** Používání elektrického nářadí k činnostem, pro které není určeno, může vést k nebezpečným situacím.
  - h) **Udržujte rukojeti a uchopovací plochy suché, čisté, bez oleje a maziva.** Kluzké rukojeti a plochy pro uchopení neumožňují bezpečnou manipulaci s nářadím a jeho ovládání v nečekaných situacích.
- 5) POUŽITÍ A PÉČE O AKUMULÁTOROVÉ NÁŘADÍ**
- a) **K nabíjení používejte pouze nabíječku doporučenou výrobcem.** Nabíječka vhodná pro jeden typ akumulátoru může způsobit riziko požáru při použití s jiným akumulátorem.
  - b) **Používejte elektrické nářadí pouze se specifikovanými akumulátory.** Použití jiných akumulátorů může způsobit riziko úrazu a požáru.
  - c) **Pokud akumulátor nepoužíváte, držte jej z dosahu kovových předmětů, jako jsou kancelářské sponky na papír, mince, klíče, hřebíky, šroubky nebo další drobné kovové předměty, které mohou propojit kontakty baterie.** Zkratování kontaktů baterie může způsobit spálení nebo požár.
  - d) **V nevhodných podmínkách může kapalina unikat z baterie. Zabraňte kontaktu. Při náhodném kontaktu opláchněte vodou. Při zasažení očí kapalinou vyhleďte lékařskou pomoc.** Unikající kapalina z akumulátoru může způsobit podráždění pokožky nebo popálení.
  - e) **Nepoužívejte akumulátor nebo nástroj, který je poškozen nebo upraven.** Poškozené nebo upravené baterie mohou mít nepředvídatelné chování, které může vést k požáru, výbuchu nebo nebezpečí zranění.
  - f) **Nevystavujte akumulátor ani nářadí ohni nebo příliš vysoké teplotě.** Při vystavení ohni nebo teplotě nad 130 °C může dojít k výbuchu.
  - g) **Dodržujte všechny pokyny pro nabíjení a nenabíjejte baterii nebo nářadí mimo rozsah teplot uvedených v pokynech.** Nesprávné nabíjení nebo nabíjení při teplotách mimo stanovený rozsah může poškodit akumulátor a zvýšit riziko požáru.
- 6) SERVIS**
- a) **Světe opravu vašeho elektrického nářadí kvalifikované osobě používající pouze shodné náhradní díly.** Tím zajistíte bezpečnost elektrického nářadí.
  - b) **Nikdy neopravujte poškozené akumulátory.** Servis akumulátorů může provádět pouze výrobce nebo autorizovaní poskytovatelé služeb.

## BEZPEČNOSTNÍ POKYNY PRO BEZKONTAKTNÍ VRATNÉ PILY

- **Pokud provádíte práce, při kterých může řezací nářadí zasáhnout skrytá elektrická vedení, pak držte elektronářadí na izolovaných plochách rukojeti** (kontakt s vedením pod napětím může přivést napětí i na kovové díly elektronářadí a vést k úderu elektrickým proudem)
- **Pomocí svorek nebo jiným vhodným způsobem upevněte a podepřete obrobek na stabilní podložku** (pokud jej budete při práci držet v ruce nebo opřený o tělo, bude nestabilní a můžete nad ním ztratit kontrolu)

### PŘÍSLUŠENSTVÍ

- SKIL zajistí bezvadnou funkci nářadí pouze tehdy, používáte-li původní značkové
- Používejte pouze příslušenství, jejichž dovolené otáčky jsou alespoň tak vysoké jako nejvyšší otáčky stroje naprázdno

### PŘED POUŽITÍM

- Vrtačku nepoužívejte je-li navlhla a nepracujte v blízkosti snadno zápalných nebo výbušných materiálů; před zahájením práce je odstraňte
- **Použijte vhodné hledací přístroje k vyhledání skrytých přírodních vedení nebo přivěte místní dodavatelskou společnost** (kontakt s elektrickým vedením může vést k požáru a elektrickému úderu; poškození plynového vedení může vést k explozi; proniknutí do vodovodního potrubí může způsobit věcné škody nebo elektrický úder)

### BEZPEČNOST OSOB

- Tento nástroj nesmí používat osoby mladší 16 let
- **Nepracovávajíte žádný materiál obsahující azbest** (azbest je považován za karcinogenní)
- Prach z materiálů, jako jsou barvy obsahující olovo, některé druhy dřeva, minerály a kovy, může být škodlivý (kontakt s prachem nebo jeho vdechnutí může způsobit alergickou reakci a/nebo vyvolat respirační choroby u obsluhy nebo přihlížejících); **používejte protiprachovou masku a pracujte se zařízením na odsávání prachu, pokud je možné jej připojit**
- Některé druhy prachu jsou klasifikovány jako karcinogenní (například dubový a bukový prach) zejména ve spojení s aditivy pro úpravu dřeva; **používejte protiprachovou masku a pracujte se zařízením na odsávání prachu, pokud je možné jej připojit**
- Dodržujte stanovená nařízení pro práci v prašném prostředí
- **Dbejte, aby ruce byly v dostatečné vzdálenosti od místa řezu i ostří, druhou ruku položte na bubnové madlo D** (držte-li pilu oběma rukama, ostří vás nemůže pořezat)
- **Nesahejte pod obrobek** (nelze vidět, zda se druhá ruka nenachází v blízkosti ostří)
- **Nikdy nedržte řezaný předmět v rukou nebo mezi koleny** (řezaný předmět musí být pevně podepřen, jinak se můžete pořezat, pilový list se může zaseknout a nástroj neovládnete)
- **Nepoužívejte tupé ani poškozené pilové listy** (ohnuté ostří se snadno zlomí nebo dojde ke zpětnému rázu)
- **Při odstraňování pilového listu z nářadí používejte ochranné rukavice** (po delším používání může být pilový list horký)
- Noste ochranné brýle a ochranu sluchu

### AKUMULÁTORY

- **Dodávaný akumulátor je částečně nabitý** (v zájmu zajištění maximální kapacity akumulátoru jej před prvním použitím vašeho elektrického nářadí úplně dobijte v nabíječce)
- **Používejte pouze následující akumulátory a nabíječky dodávané s tímto nástrojem**
  - Akumulátor SKIL: BR1\*31\*\*\*\*
  - Nabíječka SKIL: CR1\*31\*\*\*\*
- Poškozený akumulátor nepoužívejte, nahrad'te jej novým
- Akumulátor nerozebírejte
- Nevystavujte nástroj/akumulátor dešti
- Povolená teplota prostředí (nářadí/nabíječka/akumulátor):
  - při nabíjení 4 až .40 °C
  - při provozu - 20 až + 50 °C
  - při skladování - 20 až + 50 °C

#### VYSVĚTLENÍ SYMBOLŮ NA NÁSTROJI/BATERII

- 3 Před použitím si přečtete návod k použití
- 4 Akumulátory při vhození do ohně explodují, proto je nikdy nevhazujte do otevřeného plamene
- 5 Nářadí/nabíječku/akumulátor ukládejte na vhodné, suché a zajištěné místo, v prostorách s teplotou maximálně 50 °C
- 6 Nevhazujte elektrické nářadí a akumulátory do komunálního odpadu

#### OBSLUHA

- **Nabíjení akumulátorů**
  - ! přečtete si bezpečnostní upozornění a pokyny, které byly dodány spolu s nabíječkou
- Odstanění/installace akumulátoru ②
- Kontrolka nabití akumulátoru ⑦
  - stiskněte tlačítko kontrolky nabití akumulátoru J, aby ukázalo aktuální úroveň nabití ⑦a
  - ! na nejnižší úrovni nabití začne kontrolka nabití po stisknutí tlačítka J ⑦b blikat, akumulátor je vybitý
  - ! když po stisknutí tlačítka J ⑦c začnou blikat 2 pole ukazatele, znamená to, že se akumulátor nachází mimo povolený rozsah pracovní teploty
- Kombinovaný hlavní vypínač a regulaci rychlosti s aretačním tlačítkem ⑧ ⑨
  - nejprve odemkněte stisknutím tlačítka F
  - zapněte nářadí stisknutím spínače G
  - při větším či menším tlaku na spínač, lze měnit plynule otáčky
  - uvolněním spínače G nástroj vypne
- Aretační tlačítko F lze aktivovat ⑧
  - Je-li aktivované, pak se hlavní vypínač zablokuje a nástroj bude zabezpečený proti náhodnému sepnutí
- Dvojitě LED osvětlení K ⑩
  - Dvě LED světla se automaticky rozsvítí při aktivaci spínače G
  - ! když LED světlo začne blikat, aktivuje se ochrana akumulátoru (viz níže)
- Ochrana akumulátoru
  - Nářadí se najednou vypne nebo mu je zabráněno v zapnutí, když
    - je zátěž příliš vysoká -> odstraňte zátěž a proveďte restart
    - teplota akumulátoru není v rozsahu přípustných provozních teplot - 20 až + 50 °C --> 2 úrovně kontrolky nabití akumulátoru začnou blikat po stisknutí tlačítka J ⑦c; počkejte, dokud se akumulátor nevrátí do rozsahu přípustných provozních teplot
    - akumulátor je téměř vybitý (ochrana před

**přílišným vybitím**) --> při stisknutí tlačítka J indikátor akumulátoru zobrazí nízkou úroveň baterie nebo blikající nízkou úroveň akumulátoru ub; vyměňte akumulátor

! po automatickém vypnutí nástroje netiskněte hlavní vypínač; mohlo by dojít k poškození akumulátoru

- Montáž pilového listu ⑪
  - ! před nastavením nebo výměnou příslušenství vždy vytáhněte akumulátor
  - zatlačte svorku pilového listu C ve směru šipky uvedené na nástroji a v této poloze ji podržte
  - vložte list (zuby směřují dolů nebo nahoru) do plně hloubky
  - uvolněte svorku listu C
  - zatlačte a zatahujte za list a zkontrolujte, zda je umístěn správně
- Vyjmutí listu pily ⑪
  - ! před nastavením nebo výměnou příslušenství vždy vytáhněte akumulátor
  - zatlačte svorku pilového listu C ve směru šipky uvedené na nástroji a v této poloze ji podržte
  - vytáhněte list
  - uvolněte svorku listu C
- Použití nástroje
  - ! důkladně upevněte obrobek
  - vyznačte na obrobku linii řezu
  - namontujte akumulátor na nářadí
  - položte jednu ruku na rukojeť H a druhou na izolované bubnové madlo D
  - zapněte nářadí
  - veďte nářadí podél vyznačené linie řezu
  - pevně držte vodící patku B na obrobku kvůli minimalizaci protisměrné působící síly a vibrací
- Držení a vedení nástroje
  - ! při práci vždy držte nářadí za šedě zabarvenou oblast rukojeti ⑫
  - udržujte větrací štrbiny E nezakryté
  - na přístroj příliš netlačte; nechte jej, aby pracoval za vás
  - ! ujistěte se, že pilový list při záběru vychází za obrobek ⑬
- Vedení patky ⑭
  - stiskněte aretační tlačítko F do uzamčené polohy a poté vyjměte akumulátor z nářadí.
  - pevně držte pilu a potom otočte patku B do požadovaného úhlu, přičemž dávejte pozor, abyste se nedotkli pilového listu.
  - znovu vložte akumulátor a připravte se na řezání

#### NÁVOD K POUŽITÍ

- Zapichovací řezání ⑯
  - Zapichovací řezy lze provádět do dřeva a dalších měkkých materiálů a není nutné předem vrtat otvor
  - použijte hrubý pilový list
  - ! před nastavením nebo výměnou příslušenství vždy vytáhněte akumulátor
  - vyznačte na obrobku požadovanou linii řezu
  - nářadí nakloňte tak, aby se pilový list nedotýkal obrobku
  - nářadí zapněte a opatrně posouvejte pohybující se pilový list do obrobku
  - když pilový list pronikne do výrobku, pokračujte v řezání podél vyznačené linie řezu



### **! neprovádějte zapichovací řezy do kovových materiálů**

- Používejte vhodné pilové listy 16
- Při řezání kovů pilový list pravidelně olejujte
- Řezání bez štěpení
  - před řezáním nalepte na zamýšlený řez několik vrstev široké pásky
  - řezy provádějte vždy na rubu materiálu (lícem dolů)
- Další informace najdete na [www.skil.com](http://www.skil.com)

### **ÚDRŽBA / SERVIS**

- Tento nástroj není určen k profesionálnímu použití
- Nástroj udržujte vždy čistý (zejména větrací šterbiny E 2)
- **! před montáží vyjměte z nářadí akumulátor**
- Pokud dojde i přes pečlivou výrobu a náročnou kontrolu k poruše nástroje, svěďte provedení opravy autorizovanému servisnímu středisku pro elektronářadí firmy SKIL
  - zašlete nástroj nerozebraný spolu s potvrzením o nákupu do vaší prodejny nebo nejbližšímu servisu značky SKIL (adresy a servisní schéma nástroje najdete na [www.skil.com](http://www.skil.com))
- Uvědomte si, že na poškození způsobené přetížením nebo nesprávným zacházením se nevztahuje záruka (záruční podmínky společnosti SKIL najdete na adrese [www.skil.com](http://www.skil.com) nebo se obraťte na prodejce)

### **ŽIVOTNÍ PROSTŘEDÍ**

- Elektrické nářadí, baterie, doplňky a balení nevyhazujte do komunálního odpadu (jen pro státy EU)
  - podle evropské směrnice 2012/19/ES o nakládání s použitými elektrickými a elektronickými zařízeními a odpovídajících ustanovení právních předpisů jednotlivých zemí se použítá elektrická nářadí, musí sbírat odděleně od ostatního odpadu a podrobit ekologicky šetrnému recyklování
  - na nutnost příslušného nakládání s odpadem upozorňuje symbol 6

**! u vyřazených akumulátorů zakryjte kontakty izolační páskou, zabráníte tím plazivým proudům**

### **HLUČNOSTI / VIBRACÍ**

- Při měření v souladu s normou EN 62841 je hladina akustického tlaku tohoto nářadí **87 dB(A)** a hladina akustického výkonu **98 dB(A)** (nepřesnost  $K = 3$  dB) a vibrace \* (celkové hodnoty vibrací; nepřesnost  $K = 1,5$  m/s<sup>2</sup>)
    - \* řezání prkna **10,58** m/s<sup>2</sup>
    - \* řezání dřevěných trámů **8,46** m/s<sup>2</sup>
  - Úroveň vibrací byla měřena v souladu se standardizovaným testem podle EN 62841; je možné ji použít ke srovnání jednoho přístroje s druhým a jako předběžné posouzení vystavování se vibracím při používání přístroje k uvedeným aplikacím
    - používání nářadí k jiným aplikacím nebo s jiným či špatně udržovaným příslušenstvím může zásadně zvýšit úroveň vystavení se vibracím
    - doba, kdy je nářadí vypnuté, nebo když běží, ale ve skutečnosti není používáno, může zásadně snížit úroveň vystavení se vibracím
- ! chráňte se před následky vibrací tak, že budete dbát na údržbu přístroje a příslušenství, budete si udržovat teplé ruce a uspořádáte si své pracovní postupy**

TR

## **Fırçasız kablosuz panter testere**

**3475**

### **GİRİŞ**

- Bu alet, ahşap, plastik, metal ve yapı malzemelerini kesmek ve aynı zamanda ağaç budamak için tasarlanmıştır.
- Bu alet profesyonel kullanıma yönelik değildir.
- Bu kullanım kılavuzunu okuyun ve saklayın. 3

### **TEKNİK VERİLER 1**

#### **ALETİN PARÇALARI 2**

- A Testere
- B Döner Pabuç
- C Testere tutucu
- D Kavrama yüzeyi
- E Havalandırma delikleri
- F Kilitleme düğmesi
- G Açma/kapatma ve hız kontrol düğmesi
- H Tutma kolu
- J Batarya seviyesi göstergesi düğmesi
- K İkilili LED ışık

### **GÜVENLİK**

#### **ELEKTRİKLİ ALETLER İÇİN GENEL GÜVENLİK UYARILARI**

**⚠ UYARI** Bu elektrikli alet ile birlikte verilen tüm güvenlik uyarılarını, talimatları, çizimleri ve teknik özellikleri okuyun. Aşağıdaki talimatların tamamına uyulmaması elektrik çarpması, yangın ve/veya ciddi yaralanma ile sonuçlanabilir.

**Tüm uyarı ve talimatları gelecekte başvuru amacıyla muhafaza edin.**

Uyarılarda geçen "elektrikli alet" terimi ile elektrik prizinden beslenen (kablolu) elektrikli alet veya şarjlı (kablosuz) elektrikli alet kastedilmektedir.

#### **1) ÇALIŞMA ALANI GÜVENLİĞİ**

- Çalışma alanını temiz tutun ve yeterli aydınlatma sağlayın.** Karışık veya karanlık alanlar kazalara yol açar.
- Elektrikli aletleri yanıcı sıvı, gaz veya toz içeren patlayıcı ortamlarda çalıştırmayın.** Elektrikli aletlerden çıkan kıvılcıklar toz veya gazları tutuşturabilir.
- Bir elektrikli aleti kullanırken çocukların ve etraftaki kişilerin aletten uzakta olduğundan emin olun.** Dikkatinizin dağılması kontrolü kaybetmenize neden olabilir.

#### **2) ELEKTRİK GÜVENLİĞİ**

- Elektrikli aletin fişi prize uygun olmalıdır. Fiş üzerinde asla değişiklik yapmayın. Topraklı (topraklamalı) elektrikli aletler için herhangi bir adaptör fişi kullanmayın.** Üzerinde değişiklik yapılmamış fişler ve uygun prizler elektrik çarpması riskini



- azaltır.
- b) **Borular, radyatörler, fırınlar ve buzdolapları gibi topraklanmış yüzeylerle temastan kaçının.** Topraklanmış yerlerle temas etmeniz halinde elektrik çarpması riski artar.
- c) **Elektrikli aletleri yağmura veya ıslak ortamlara maruz bırakmayın.** Elektrikli alet içine giren su, elektrik çarpması riskini artırır.
- d) **Kabloyu hatalı kullanmayın. Kabloyu elektrikli aleti taşımak, çekmek veya prizden çıkarmak için kullanmayın.** Kabloyu sıcağıktan, yağdan, keskin kenarlardan veya hareketli parçalardan uzak tutun. Hasarlı veya birbirine dolaşmış kablolar elektrik çarpması riskini artırır.
- e) **Bir elektrikli aleti açık havada kullanırken, uygun bir dış mekan uzatma kablosu kullanın.** Dış mekan için uygun bir kablonun kullanılması elektrik çarpması riskini azaltır.
- f) **Elektrikli aletin nemli bir yerde çalıştırılması gerektiyse kaçak akım rölesi (RCD) korumalı bir kaynak kullanın.** RCD (kaçak akım rölesi) kullanımı elektrik çarpması riskini azaltır.
- 3) **KİŞİSEL GÜVENLİK**
- a) **Elektrikli aletleri kullanırken daima dikkatli olun, yaptığınız işe yoğunlaşın ve sağduyulu davranın. Elektrikli aleti yorgunken ya da uyuşturucu, alkol ya da ilaç etkisi altındayken kullanmayın.** Elektrikli aletleri kullanırken bir anlık dikkatsizlik ciddi yaralanmalara yol açabilir.
- b) **Kişisel koruyucu ekipman kullanın. Daima koruyucu gözlük takın.** Koşullara uygun toz maskesi, kaymaz emniyet ayakkabıları, kask veya işitme koruması gibi koruyucu ekipman kullanılması yaralanmaları azaltır.
- c) **Yanlışlıkla çalıştırmaktan kaçının. Aletin güç kaynağı ve/veya batarya ile bağlantısını yapmadan, kaldırmadan veya taşımadan önce açma/kapatma düğmesinin kapalı olduğundan emin olun.** Elektrikli aletleri, parmağınız açma/kapatma düğmesinin üzerindeyken taşımak veya alet açıkken fişi prize takmak kazalara davetiye çıkarır.
- d) **Elektrikli alete takılı herhangi bir alyan veya anahtar varsa aleti çalıştırmadan önce bunları çıkarın.** Elektrikli aletin döner parçalarına takılı bir alyan veya anahtar yaralanmalara neden olabilir.
- e) **Dengesiz bir duruşla çalışma yapmayın. Çalışma süresince ayaklarınızı sağlam basın ve dengeyi koruyun.** Bu sayede beklenmedik durumlarda elektrikli alet daha iyi kontrol edilebilir.
- f) **Uygun bir şekilde giyinin. Bol giysiler giymeyin veya takı takmayın. Saçlarınızı ve elbiselerinizi hareketli parçalardan uzak tutun.** Bol giysiler, takılar veya uzun saçlar hareketli parçalara takılabilir.
- g) **Toz emme ve toplama araçlarının bağlantısı için sağlanan cihazlar varsa bunların takılı olduğundan ve düzgün bir biçimde kullanıldığından emin olun.** Toz toplama araçlarının kullanımı tozdan kaynaklanabilecek tehlikeleri azaltabilir.
- h) **Aletleri sık kullanarak edindiğiniz alışkanlık rahat olmanıza ve aletin güvenlik ilkelerini göz ardı etmenize neden olmamalıdır.** Dikkatsiz bir hareket, bir saniyeden daha kısa bir sürede ağır yaralanmalara neden olabilir.
- 4) **ELEKTRİKLİ ALET KULLANIMI VE BAKIMI**

- a) **Elektrikli aleti zorlamayın. Yaptığınız işe uygun elektrikli aleti kullanın.** Doğru elektrikli alet, tasarımına uygun değerlerde kullanıldığında daha iyi ve daha güvenli çalışır.
- b) **Açma/kapatma düğmesi çalışmıyorsa elektrikli aleti kullanmayın.** Açma/kapatma düğmesi ile kontrol edilemeyen bir elektrikli alet tehlikelidir ve onarılması gerekir.
- c) **Herhangi bir ayar işlemi, aksesuar değişimi veya elektrikli aletlerin saklanması öncesinde fişi prizden çekin ve/veya eğer çıkarılabiliyorsa bataryayı elektrikli aletten çıkarın.** Bu tür önleyici güvenlik önlemleri, elektrikli aletin yanlışlıkla çalışması riskini azaltır.
- d) **Kullanılmayan elektrikli aletleri çocukların erişemeyeceği yerlerde saklayın ve elektrikli alet veya bu talimatlar hakkında bilgi sahibi olmayan kişilerin elektrikli aleti kullanımına izin vermeyin.** Elektrikli aletler eğitimsiz kullanıcıların elinde tehlikelidir.
- e) **Elektrikli aletlere ve aksesuarlara bakım yapın. Hareketli parçaların hizalanmamasını veya bağlanmasını doğru yapılarak yapılmadığını, parçalarda hasar olup olmadığını ve elektrikli aletin çalışmasını etkileyebilecek tüm diğer koşulları kontrol edin. Elektrikli alet hasarlı ise kullanmadan önce onarılmasını sağlayın.** Kazaların çoğu, elektrikli alet bakımının yeterli şekilde yapılmamasından kaynaklanır.
- f) **Kesici aletleri keskin ve temiz tutun.** Keskin kesim kenarlarına sahip, bakımı düzgün yapılmış kesim aletleri daha az sorun çıkarır ve kontrolü kolaydır.
- g) **Elektrikli aleti, aksesuarlarını ve alet uçlarını vb. çalışma şartlarını ve yapılacak işi dikkate alarak bu talimatlara uygun şekilde kullanın.** Elektrikli aletin kullanım amacı dışındaki işlerde kullanılması tehlikeli durumlara neden olabilir.
- h) **Tutma kollarını ve kavrama yüzeylerini kuru, temiz, benzin ve yağdan uzak tutun.** Kaygan tutma kolları ve kavrama yüzeyleri, aletin beklenmeyen durumlarda güvenli bir şekilde tutulmasına ve kontrol edilmesine izin vermez.
- 5) **BATARYA İLE ÇALIŞAN ALETLERİNİN KULLANIMI VE BAKIMI**
- a) **Sadece üretici tarafından belirtilen şarj cihazı ile şarj edin.** Bir batarya türü için uygun olan şarj cihazı, başka bir batarya ile kullanıldığında yangın riski oluşturabilir.
- b) **Elektrikli aletleri sadece özel olarak üretilmiş bataryalarla kullanın.** Başka batarya türlerinin kullanımı yaralanma ve yangın tehlikesi oluşturabilir.
- c) **Bataryanın kullanımda olmadığı durumlarda bataryayı ataş, bozuk para, anahtar, çivi, vida veya batarya kutupları arasında kısa devre yapabilecek diğer metal nesnelere uzak tutun.** Batarya kutuplarının kısa devre yapılması yangın veya yanıklara neden olabilir.
- d) **Kötü şartlar altında bataryadan sıvı akışı olabilir; bu sıvı ile temas etmekten kaçının. Yanlışlıkla temas edilirse etkilenen bölgeyi su ile yıkayın. Sıvı göze temas ederse ayrıca tıbbi yardım alın.** Bataryadan akan sıvı tahriş veya yanıklara neden olabilir.
- e) **Hasarlı veya üzerinde değişiklik yapılmış bir bataryayı veya aleti kullanmayın.** Hasarlı veya üzerinde değişiklik yapılmış bataryalar yangın,

patlama veya yaralanma riskine neden olacak şekilde beklenmeyen davranışlar gösterebilir.

- f) **Bataryayı veya aleti ateşe veya aşırı sıcaklıklara maruz bırakmayın.** Ateşe veya 130 °C'nin üzerindeki sıcaklıklara maruz kalması patlamaya neden olabilir.
- g) **Tüm şarj talimatlarına uyun ve bataryayı veya aleti talimatlarda belirtilen sıcaklık aralığının dışındaki sıcaklıklarda şarj etmeyin.** Hatalı veya belirtilen sıcaklık aralığının dışındaki sıcaklıklarda şarj etmek, bataryaya zarar verebilir ve yangın riskini artırır.
- 6) **SERVİS**
- a) **Elektrikli aletinizin bakımını, sadece orijinal yedek parça kullanan yetkili bir tamirciye yaptırın.** Bu sayede elektrikli aletin emniyetinin korunmasını sağlanır.
- b) **Asla hasarlı bataryalara bakım-onarım yapmayın.** Bataryaların bakımı sadece üretici veya yetkili servisler tarafından yapılmalıdır.

## KABLOSUZ PANTER TESTERELER İÇİN GÜVENLİK TALİMATLARI

- **Kesim aksesuarının gizli kablo tesisatına temas edebileceği bir işlem yaparken elektrikli aleti izolasyonlu tutma yerlerinden tutun** ("elektrikli" bir kabloya temas eden kesim aksesuarı, aletin metal parçalarında da "elektrikli" olmasına ve operatöre elektrik çarpmasına neden olabilir)
- **İş parçasını sabitlemek ve desteklemek için mengene veya başka bir pratik yöntem kullanın** (iş parçasını elde tutmak veya vücuda dayamak sabit olmasına ve kontrol kaybına neden olabilir)

## AKSESUARLAR

- SKIL sadece orijinal aksesuarlar kullanıldığında aletin düzgün çalışmasını garanti eder
- Bu aletle kullanacağınız aksesuar, devir sayısı en azından aletin boşta ki en yüksek devir sayısı kadar olmalıdır

## KULLANMADAN ÖNCE

- İş parçasının vida, çivi ve benzeri malzeme tarafından hasar görmemesi için dikkatli olun; çalışmaya başlamadan önce bunları çıkarın
- **Görünmeyen elektrik kablolarını belirlemek için uygun bir tarama cihazı kullanın veya yerel akım ikmal şirketlerinden yardım isteyin** (elektrik kablolarıyla temas, yangın çıkmasına veya elektrik çarpmalarına neden olabilir; bir gaz borusu hasar görürse patlama tehlikesi ortaya çıkar; bir su borusunun delinmesi halinde maddi hasarlar meydana gelebilir veya elektrik çarpması tehlikesi ortaya çıkabilir)

## KİŞİSEL GÜVENLİK

- Bu alet 16 yaşın altındaki kişiler tarafından kullanılmamalıdır
- **Bu aletle asbest içeren malzemeleri işlemeyin** (asbest kanserojen bir madde kabul edilir)
- Kurşun içeren boya, bazı ahşap türleri, mineral ve metal gibi malzemelerden çıkan toz zararlı olabilir (tozla temasta bulunulması veya solunması operatörde veya yakınında bulunan kişilerde alerjik reaksiyonlara ve/veya solunum yolu hastalıklarına neden olabilir); **toz maskesi takın ve bağlanabiliyorsa bir toz çekme cihazıyla çalışın**
- Bazı toz tipleri (örneğin meşe ve kayın ağacı tozu), özellikle ahşap yenileme katkı maddeleriyle birlikte kanserojenik olarak sınıflandırılır; **toz maskesi takın ve bağlanabiliyorsa bir toz çekme cihazıyla çalışın**
- Çalışmak istediğiniz malzemeler için tozla ilgili ulusal

gereksinimleri takip edin

- **Ellerinizi kesme alanından ve testere ağzından uzak tutun; diğer elinizi kavrama yüzeyi (D) üzerinde tutun** ② (testereyi iki elinizle tuttuğunuz zaman, ellerinizin testere bıçağı tarafından kesilmesi önlenmiş olacaktır)
- **Kestiğiniz cismin alt kısmından ellerinizi uzak tutun** (testerenin elinize olan yakınlığını bakış açınızdan anlamamız güçtür)
- **Kestiğiniz cismi kesinlikle ellerinizde veya bacaklarınızın arasında tutmayın** (vücudu olası tehlikelere karşı korumak ve bıçağın kaymasını ya da kontrol kaybını önlemek için kestiğiniz cismin sabit ve sağlam bir şekilde desteklenmesi gerekir)
- **Körelmiş veya hasarlı bir testere kullanmayın** (eğilmiş testerele kolay kırılabilir veya geri tepmeye neden olabilirler)
- **Bıçağı aletten çıkarırken koruyucu eldivenler giyin** (uzun süreli kullanımın ardından testere ısınmış olabilir)
- Koruyucu gözlük ve kulaklık takın

## BATARYALAR

- **Ürünle birlikte verilen batarya kısmen şarj edilmiştir** (bataryanın tam kapasiteyle çalışmasını sağlamak için elektrikli aletinizi ilk kez kullanmadan önce bataryayı, batarya şarj cihazında tamamen şarj edin)
- **Bu aletle sadece aşağıdaki bataryaları ve şarj cihazlarını kullanın**
  - SKIL batarya: BR1\*31\*\*\*\*
  - SKIL şarj cihazı: CR1\*31\*\*\*\*
- Hasarlı bataryaları kullanmayın ve yenileyin
- Bataryayı parçalarına ayırmayın
- Aleti/bataryayı yağmura maruz bırakmayın
- İzin verilen ortam sıcaklığı (alet/şarj cihazı/batarya):
  - şarj olurken 4 ile 40 °C arasında
  - çalışırken -20 ile +50 °C arasında
  - depolanırken -20 ile +50 °C arasında

## ALET/BATARYA ÜZERİNDEKİ SİMGELERİN AÇIKLAMASI

- ③ Kullanmadan önce kullanım kılavuzunu okuyun
- ④ Ateşe atılan bataryalar patlayabilir, bu yüzden hiçbir nedenle bir bataryayı yakmayın
- ⑤ Aleti, şarj cihazını ve bataryayı sıcaklığın 50 °C'yi aşmadığı yerlerde depolayın
- ⑥ Elektrikli aletleri ve bataryaları evsel atık malzemelerle birlikte çöpe atmayın

## KULLANIM

- **Bataryanın şarj edilmesi**
  - ! **şarj cihazı ile birlikte verilen güvenlik uyarıları ve talimatlarını okuyun**
- Bataryanın çıkarılması/takılması ②
- Batarya seviyesi göstergesi ⑦
  - mevcut batarya seviyesini (⑦a) görmek için batarya seviyesi göstergesi düşmesine (J) basın
- ! **düğmeye (J) bastıktan sonra batarya göstergesinin en alt seviyesini (⑦b) yanıp sönmeye başladığında batarya boşalmıştır**
- ! **düğmeye (J) bastıktan sonra batarya göstergesinin 2 seviyesi (⑦c) yanıp sönmeye başladığında batarya izin verilen çalışma sıcaklığı aralığında değildir**
- Açma/kapatma ve hız kontrol düğmesi ile kilitleme düğmesi ⑧ ⑨
  - ilk önce kilitleme düğmesine (F) basarak kilidi açın
  - aleti çalıştırmak için tetiği (G) çekin

- tetiğe az veya çok basarak hız sıfırdan maksimuma kadar kademesiz olarak ayarlanabilir
- aleti kapatmak için tetiği (G) bırakın
- Kilitleme düğmesi (F) etkinleştirilebilir (8)
- etkinleştirilmesi durumunda, açma/kapama şalteri engellenir ve makine yanlışlıkla açılmaya karşı güvence altına alınır
- İkili LED ışık (K) (10)  
Düğmeye (G) bastığınızda ikili LED ışık otomatik olarak yanar  
**! LED ışık yanarken batarya koruması devreye girer (aşağı bakın)**
- Batarya koruması  
Aşağıdaki durumlarda alet aniden kapanır veya tekrar çalıştırılmaz  
- **yük çok fazla olduğunda** -> yükü kaldırın ve yeniden çalıştırın  
- **batarya sıcaklığı, -20 ile +50 °C arasındaki izin verilen çalışma sıcaklığı aralığında olmadığına** -> J düğmesine bastığınızda batarya seviyesi göstergesinin 2 seviyesi (7c) yanıp sönmeye başlar; batarya sıcaklığı izin verilen çalışma sıcaklığı aralığına dönene kadar bekleyin  
- **batarya bitmeye yakinken (aşırı boşalmaya karşı korumak için)** -> J düğmesine bastığınızda batarya seviyesi göstergesi tarafından düşük batarya seviyesi veya yanıp sönen düşük batarya seviyesi (ub) gösterilir  
**! alet otomatik olarak kapandıktan sonra açma/kapatma düğmesine basmayın; batarya hasar görebilir**
- Testere bıçağı montajı (11)  
**! herhangi bir ayarlama yapmadan ve aksesuarları değiştirmeden önce bataryayı aletten çıkarın**  
- testere tutucuyu (C) alet üzerindeki okla aynı yönde çevirin ve bu konumda tutun  
- testereyi (dişleri aşağı veya yukarı gelecek şekilde) tam dibe yerleştirin  
- testere tutucuyu (C) bırakın  
- doğru şekilde kilitleyip kilitlemediğini kontrol etmek için testereyi itip çekin
- Testere bıçağının çıkarılması (11)  
**! herhangi bir ayarlama yapmadan ve aksesuarları değiştirmeden önce bataryayı aletten çıkarın**  
- testere tutucuyu (C) alet üzerindeki okla aynı yönde çevirin ve bu konumda tutun  
- testerenin çekin  
- testere tutucuyu (C) bırakın
- Aletin çalıştırılması  
**! iş parçasını sıkıca sabitleyin**  
- iş parçası üzerine kesme çizgisini çizin  
- bataryayı alete takın  
- aleti bir elinizle tutma kolundan (H) ve diğer elinizle yalıtımlı kavrama yüzeyinden tutun  
- aleti çalıştırın  
- işaretlenmiş çizgi boyunca aleti kullanın  
- karşı kuvveti ve titreşimi en aza indirmek için döner pabucu (B) iş parçasına karşı sıkıca tutun
- Aletin tutulması ve kullanılması  
**! çalışırken aleti her zaman gri renkli tutma yerlerinden tutun (2)**  
- havalandırma deliklerini (E) açık tutun  
- alete çok fazla baskı uygulamayın; bırakın alet sizin için çalışsın

**! testere bıçağının gidip gelme mesafesi boyunca iş parçasını tam olarak geçtiğinden emin olun (13)**

- Pabucu döndürme (14)  
- kilitleme düğmesini (F) kilitleli konuma bastırın ve ardından bataryayı aletten çıkarın.  
- testereyi sıkıca tutun ve ardından testere ağızyla temas etmemeye dikkat ederek pabucu (B) istediğiniz açıya döndürün.  
- bataryayı yeniden takın ve kesmeye hazırlanın

## UYGULAMA ÖNERİLERİ

- Dalarak kesme (15)  
Saplama kesme işlemi önceden bir delik açmadan ağaç ve diğer yumuşak malzemeler üzerinde uygulanabilir  
- kalın bir testere kullanın  
**! herhangi bir ayarlama yapmadan ve aksesuarları değiştirmeden önce bataryayı aletten çıkarın**  
- iş parçası üzerine istenen kesme çizgisini çizin  
- testere iş parçasıyla temas etmeyecek şekilde alete eğim verin  
- aleti açın ve hareketli testereyi iş parçasına yaslayın  
- testere iş parçasına girdikten sonra işaretlenmiş kesme çizgisi boyunca kesme işlemi sürdürün  
**! metal malzemeler üzerinde saplamalı kesme işlemi gerçekleştirmeyin**
- Uygun testere uçları kullanın (16)
- Metalleri keserken testere ucunu yağ ile düzenli olarak yağlayın
- Ayrılmasız kesme  
- kesme işleminden önce kesme noktasını birkaç kat kalın bant ile kaplayın  
- malzemenin iyi yüzü daima aşağıya bakmalıdır
- Daha fazla bilgi için [www.skil.com](http://www.skil.com) adresine bakın

## BAKIM / SERVİS

- Bu alet profesyonel kullanıma yönelik değildir
- Aleti her zaman temiz tutun (özellikle havalandırma deliklerini (E) (2))  
**! temizlikten önce bataryayı aletten çıkarın**
- Dikkatli biçimde yürütülen üretim ve test prosedürlerine rağmen alet arızalanırsa onarım işlemleri SKIL elektrikli aletlerine yönelik bir satış sonrası servis merkezinde yapılmalıdır  
- aleti parçalarına ayrılmamış olarak satın alma belgesiyle birlikte satıcınıza veya en yakın SKIL servisine gönderin (servis adresleri ve aletin servis çizelgesi [www.skil.com](http://www.skil.com) adresinde listelenmiştir)
- Aşırı yüklenme ve yanlış kullanımın aleti garanti kapsamından çıkaracağını unutmayın (SKIL garanti koşulları için [www.skil.com](http://www.skil.com) adresine bakın veya satıcınıza başvurun)

## ÇEVRE

- Elektrikli aletleri, bataryaları, aksesuarları ve ambalaj malzemelerini evsel atıklarla birlikte çöpe atmayın (sadece AB ülkeleri için)  
- atık elektrikli ve elektronik eşyalarla ilgili 2012/19/EC sayılı Avrupa Birliği Direktifi ve bu direktifin uyarandığı ulusal yasalara gereğince kullanım ömrünün sonuna ulaşan elektrikli aletler ayrı olarak toplanmalı ve çevreye uyumlu bir geri dönüşüm tesisine gönderilmelidir  
- (6) sembolü, bertaraf etme ihtiyacı meydana geldiğinde

size bunu hatırlatması içindir

**! bataryayı atmadan önce kısa devre oluşmasını önlemek için batarya kutuplarını kalın bantla sarın**

## GÜRÜLTÜ / TİTREŞİM

- EN 62841 standardına uygun olarak yapılan ölçümlere göre bu aletin ses basıncı seviyesi: **87 dB(A)**, ses gücü seviyesi **98 dB(A)** (belirsizlik  $K = 3$  dB) ve titreşim\* (triaks vektör toplamı; belirsizlik  $K = 1,5$  m/sn.<sup>2</sup>)
    - \* tahta kesimi **10,58** m/sn.<sup>2</sup>
    - \* ahşap giriş kesimi **8,46** m/sn.<sup>2</sup>
  - Titreşim emisyonu seviyesi EN 62841 standardında belirlenen standart teste göre ölçülmüştür; bu seviye, bir aleti bir başkasıyla karşılaştırmak amacıyla ve aletin söz konusu uygulamalarda kullanılması sırasında titreşime maruz kalma derecesinin ön değerlendirilmesi olarak kullanılabilir
    - aletin farklı uygulamalar için veya farklı ya da bakımı yetersiz yapılmış aksesuarlarla kullanılması, maruz kalma seviyesini belirgin biçimde **artırabilir**
    - aletin kapalı olduğu veya çalıştığı ancak gerçek anlamda iş yapmadığı zamanlarda, maruz kalma seviyesi belirgin biçimde azalabilir
- ! aletin ve aksesuarlarının bakımını yaparak, ellerinizi sıcak tutarak ve çalışma şeklinizi organize ederek kendinizi titreşimin etkilerinden koruyun**

PL

## Bezsıcotkowa 3475 akumulatorowa piła szablowa

### WSTĘP

- Narzędzie jest przeznaczone do cięcia drewna, tworzyw, metalu i materiałów budowlanych, a także do przycinania i okrzesywania drzew.
- Narzędzie nie jest przeznaczone do zastosowań profesjonalnych.
- Prosimy przeczytać i zachować niniejszą instrukcję.③

### DANE TECHNICZNE ①

### ELEMENTY NARZĘDZIA ②

- A Ostrze
- B Stopa odchylana
- C Zacisk ostrza
- D Uchwyt przedni
- E Szczeliny wentylacyjne
- F Przycisk blokowania
- G Włącznik i regulator prędkości
- H Rękojeść
- J Przycisk wskaźnika poziomu naładowania akumulatora
- K Podwójna lampka LED

## BEZPIECZEŃSTWO

### OGÓLNE OSTRZEŻENIA DOTYCZĄCE BEZPIECZEŃSTWA UŻYWANIA ELEKTRONARZĘDZI

**! OSTRZEŻENIE** Prosimy przeczytać wszystkie ostrzeżenia i instrukcje oraz przestudiować specyfikację i ilustracje dostarczone wraz z elektronarzędziem. Niestosowanie się do wszystkich podanych niżej instrukcji może doprowadzić do porażenia prądem, pożaru i/lub poważnych obrażeń.

**Wszystkie ostrzeżenia i instrukcje należy zachować na przyszłość.**

Termin „elektronarzędzie” występujący w ostrzeżeniach dotyczy narzędzia elektrycznego o zasilaniu sieciowym (przewodowego) lub akumulatorowym (beprzewodowego).

- 1) BEZPIECZEŃSTWO W MIEJSCU PRACY**
  - a) Należy dbać o czystość i dobre oświetlenie w miejscu pracy.** Bałagan i złe oświetlenie sprzyjają wypadkom.
  - b) Nie należy używać elektronarzędzi w miejscach zagrożonych wybuchem, np. w obecności łatwopalnych cieczy, gazów lub pyłu.** Elektronarzędzia wytwarzają iskry, które mogą zapalić opary lub pył.
  - c) W czasie pracy elektronarzędzia należy trzymać z dala od dzieci i osób postronnych.** Chwila nieuwagi może spowodować utratę kontroli nad urządzeniem.
- 2) BEZPIECZEŃSTWO ELEKTRYCZNE**
  - a) Wtyczki elektronarzędzi muszą pasować do gniazdek. Nigdy w jakikolwiek sposób nie wolno przerabiać wtyczki. Do elektronarzędzi wymagających uziemienia nie należy używać przejściówek.** Oryginalne wtyczki i pasujące do nich gniazdka zmniejszają ryzyko porażenia prądem.
  - b) Należy unikać dotykania ciałem powierzchni uziemionych, takich jak np. rury, kaloryfery, kuchenki i lodówki.** Uziemienie ciała zwiększa ryzyko porażenia prądem.
  - c) Elektronarzędzia należy chronić przed deszczem i wilgocią.** Woda dostająca się do wnętrza elektronarzędzia zwiększa ryzyko porażenia prądem.
  - d) Nie należy nadwyręzać przewodu. Nigdy nie należy używać przewodu do noszenia lub ciągnięcia elektronarzędzia; nie należy chwycić za przewód, aby wyjąć wtyczkę z kontaktu. Przewód należy chronić przed gorącym, ropą, olejem, ostrymi krawędziami i poruszającymi się częściami.** Zaplątane lub uszkodzone przewody zwiększają ryzyko porażenia prądem.
  - e) Podczas używania elektronarzędzia na dworze należy stosować przedłużacz nadający się do używania na dworze.** Używanie przewodu przeznaczonego do stosowania na dworze zmniejsza ryzyko porażenia prądem.
  - f) Jeżeli użycie elektronarzędzia w miejscu o dużej wilgotności jest nieuniknione, należy stosować zasilanie zabezpieczone wyłącznikiem różnicowoprądowym.** Używanie wyłącznika różnicowoprądowego zmniejsza ryzyko porażenia prądem.
- 3) BEZPIECZEŃSTWO OSOBISTE**
  - a) Podczas pracy narzędziem należy zachowywać czujność, patrzeć, co się robi i kierować się zdrowym rozsądkiem. Nie należy używać**

- elektronarzędzia, gdy użytkownik jest zmęczony, albo pod wpływem narkotyków, alkoholu lub leków. Chwila nieuwagi w czasie posługiwania się elektronarzędziami może spowodować poważne obrażenia.
- b) **Należy używać środków ochrony osobistej. Należy zawsze nosić okulary ochronne. Stosowanie w odpowiednich warunkach sprzętu ochronnego takiego jak np. maska przeciwpyłowa, obuwie ochronne z podeszwami antypoślizgowymi, kask lub ochronniki słuchu zmniejszy ewentualne obrażenia.**
- c) **Nie należy dopuszczać do przypadkowego włączenia. Należy pilnować, aby przed podłączeniem narzędzia do zasilania i/lub baterii akumulatorowej oraz przed podniesieniem i przenoszeniem przełącznik był ustawiony w pozycji „wyłączone”.** Przenoszenie elektronarzędzia z palcem na wyłączniku lub podłączanie do prądu elektronarzędzia z włączonym przełącznikiem może prowadzić do wypadków.
- d) **Przed włączeniem elektronarzędzia należy usunąć wszystkie klucze regulacyjne i inne narzędzia.** Klucz zaczepiony o obracającą się część elektronarzędzia może spowodować obrażenia.
- e) **Nie należy sięgać za daleko. Należy zawsze dbać o utrzymanie równowagi i pewne podparcie nóg.** W nieprzewidzianych sytuacjach zapewnia to lepszą kontrolę nad elektronarzędziem.
- f) **Należy nosić odpowiednią odzież. Nie powinno się nosić luźnych ubrań ani biżuterii. Włosy i odzież należy trzymać w bezpiecznej odległości od poruszających się części.** Luźne ubrania, biżuteria lub długie włosy mogą zaczepić się o poruszające się części.
- g) **Jeżeli urządzenie jest przystosowane do podłączania do odsysacza pyłu i urządzenia zbierającego, należy dopilnować, aby systemy te były podłączone i właściwie stosowane.** Używanie systemów służących do pochłaniania pyłu może zmniejszyć zagrożenia związane z pyłem.
- h) **Nie wolno dopuścić do tego, aby poczucie znajomości narzędzia wynikające z jego częstego używania doprowadziło do lekceważenia i ignorowania zasad bezpieczeństwa.** Jedno lekkomyślne działanie może w ułamku sekundy doprowadzić do ciężkich urazów.
- 4) UŻYWANIE I KONSERWOWANIE ELEKTRONARZĘDZI**
- a) **Elektronarzędzia nie należy forsować. Należy używać narzędzia dostosowanego do wykonywanej pracy.** Odpowiednie narzędzie elektryczne wykona pracę lepiej i bezpieczniej, gdy pozwoli mu się pracować z prędkością/obrotami do jakich zostało zaprojektowane.
- b) **Nie należy używać elektronarzędzia, jeżeli przełącznik zasilania nie włącza go lub nie wyłącza.** Elektronarzędzie, którego nie da się kontrolować przełącznikiem, jest potencjalnie niebezpieczne i wymaga naprawy.
- c) **Przed przystąpieniem do regulacji elektronarzędzia oraz przed wymianą akcesoriów lub odłożeniem narzędzia na miejsce, należy odłączyć je od zasilania i/lub wyjąć akumulator.** Tego typu zapobiegawcze środki ostrożności zmniejszają ryzyko przypadkowego włączenia się elektronarzędzia.
- d) **Nie używane elektronarzędzia należy przechowywać w miejscu niedostępnym dla dzieci. Osobom, które nie znają narzędzia lub nie zapoznają się z instrukcją nie należy pozwalać go używać.** W rękach nieprzeszkolonych użytkowników elektronarzędzia mogą stanowić zagrożenie.
- e) **Elektronarzędzia i akcesoria należy utrzymywać w dobrym stanie. Należy kontrolować, czy części ruchome nie są odchyłone od osi, nie zacinają się i nie są pęknięte lub uszkodzone w inny sposób, który mógłby wpłynąć na działanie elektronarzędzia.** W razie uszkodzenia, przed użyciem narzędzie należy oddać do naprawy. Wiele wypadków wynika ze złej konserwacji elektronarzędzi.
- f) **Należy dbać o czystość i naostrzenie narzędzi tnących.** Odpowiednio utrzymane narzędzia tnące z ostrymi krawędziami tnącymi są mniej narażone na zakleszczanie się i łatwiej jest je kontrolować.
- g) **Elektronarzędzi, akcesoriów, wiertel, bitów, itp. należy używać zgodnie z niniejszą instrukcją, z uwzględnieniem warunków i rodzaju wykonywanej pracy.** Korzystanie z elektronarzędzi niezgodnie z przeznaczeniem może prowadzić do niebezpiecznych sytuacji.
- h) **Należy dbać o to, aby uchwyty i powierzchnie do trzymania były suche, czyste i niezaplamione olejem lub smarem.** Śliskie uchwyty nie pozwalają w bezpieczny sposób kontrolować narzędzia w nieprzewidzianych sytuacjach.
- 5) UŻYWANIE I KONSERWOWANIE NARZĘDZI AKUMULATOROWYCH**
- a) **Do ładowania należy używać wyłącznie ładowarki wskazanej przez producenta.** Użycie ładowarki pochodzącej od jednego akumulatora do ładowania innego akumulatora grozi pożarem.
- b) **Elektronarzędzi należy używać wyłącznie z dedykowanymi do nich akumulatorami.** Użycie jakiegokolwiek innych akumulatorów grozi obrażeniami i pożarem.
- c) **Jeżeli akumulator nie jest używany, należy go przechowywać z dala od innych przedmiotów metalowych, np. spinaczy, monet, kluczy, gwoździ, śrub i innych drobnych przedmiotów metalowych, które mogłyby spowodować zwarcie wyprowadzeń akumulatora.** Zwarcie wyprowadzeń akumulatora może doprowadzić do oparzenia lub pożaru.
- d) **W niesprzyjających warunkach może dojść do wycieku cieczy z akumulatora. Należy wtedy unikać wszelkiego kontaktu z tą cieczą. W razie przypadkowego kontaktu ze skórą, zabrudzone miejsce należy obficie przemyć wodą. Jeżeli płyn dostanie się do oczu, należy dodatkowo zasięgnąć porady lekarza.** Płyn wyciekający z akumulatora może powodować podrażnienie lub oparzenia.
- e) **Nie należy używać akumulatora lub narzędzia, które są uszkodzone lub zostały poddane przeróbkom.** Uszkodzone lub zmodyfikowane akumulatory mogą zachowywać się w sposób nieprzewidywalny, co może doprowadzić do pożaru lub wybuchu lub stwarzać ryzyko urazów.
- f) **Nie należy narażać akumulatora lub narzędzia na kontakt z ogniem lub zbyt wysokimi temperaturami.** Ogień lub temperatury przekraczające 130°C mogą



doprowadzić do wybuchu.

- g) **Należy przestrzegać wszystkich instrukcji ładowania. Nie należy ładować akumulatora lub narzędzia poza przedziałem temperatur podanym w instrukcji.** Ładowanie w sposób nieprawidłowy lub w temperaturze wykraczającej poza określony zakres może doprowadzić do uszkodzenia akumulatora i zwiększa ryzyko pożaru.
- 6) **SERWISOWANIE**
- a) **Serwisowanie elektronarzędzia należy powierzać wykwalifikowanemu serwisantowi, a do naprawy używać wyłącznie części zamiennych identycznych z oryginalnymi.** Zapewni to bezpieczeństwo eksploatacji elektronarzędzia.
- b) **Uszkodzonych akumulatorów nie należy nigdy naprawiać.** Jakiegokolwiek czynności serwisowe przy akumulatorach powinny być wykonywane wyłącznie przez producenta lub pracowników autoryzowanego serwisu.

#### **INSTRUKCJE BEZPIECZEŃSTWA DOTYCZĄCE AKUMULATOROWEJ PIŁY SZABLOWEJ**

- **Podczas wykonywania prac, przy których narzędzie robocze mogłoby natrafić na ukryte przewody elektryczne, elektronarzędzie należy trzymać za izolowane powierzchnie uchwytów** (dotknięcie końcówką tnącą przewodu pod napięciem może spowodować, że przez niez izolowane elementy metalowe narzędzia popłynie prąd, co grozi operatorowi porażeniem)
- **Do zamocowania przecinanego elementu do stabilnej powierzchni lub podparcia go należy używać zacisków lub innych metod zabezpieczenia** (trzymanie elementu w ręku lub opieranie go o ciało może prowadzić do utraty kontroli)

#### **AKCESORIA**

- Firma SKIL może zagwarantować bezawaryjne działanie narzędzia tylko pod warunkiem korzystania z oryginalnych akcesoriów
- Należy używać tylko akcesoriów, których dopuszczalna prędkość pracy jest co najmniej tak wysoka jak maksymalna prędkość urządzenia bez obciążenia

#### **PRZED UŻYCIEM**

- Należy unikać uszkodzeń, jakie mogą być spowodowane śrubami, gwoździami i innymi elementami znajdującymi się w obrabianym przedmiocie; przed rozpoczęciem pracy należy je usunąć
- **Aby wykryć ukryte przewody zasilające należy używać stosownych detektorów lub porozumieć się z miejscowym zakładem energetycznym** (kontakt z przewodami elektrycznymi może doprowadzić do pożaru i porażenia prądem; uszkodzenie przewodu gazowego może doprowadzić do wybuchu; uszkodzenie przewodów instalacji wodociągowej powoduje szkody rzeczowe i może spowodować porażenie prądem)

#### **BEZPIECZEŃSTWO OSOBISTE**

- Narzędzie nie powinny używać osoby w wieku poniżej 16 roku życia
- **Nie należy obrabiać materiału zawierającego azbest** (azbest jest rakotwórczy)
- Pył pochodzący z materiałów takich jak farby zawierające ołów, niektóre gatunki drewna, minerały i metal może być szkodliwy (kontakt z nim lub wdychanie takiego pyłu może powodować reakcje alergiczne i/lub niewydolność

- oddechową u operatora lub osób towarzyszących); **należy zakładać maskę przeciwpyłową i pracować z urządzeniem odsysającym, o ile można je podłączyć**
- Niektóre rodzaje pyłu są sklasyfikowane jako rakotwórcze (takie, jak pył dębu i buka) szczególnie w połączeniu z dodatkami do impregnacji drewna; **należy zakładać maskę przeciwpyłową i pracować z urządzeniem odsysającym pył, o ile można je podłączyć**
- Należy stosować się do lokalnych wymogów dotyczących pracy w otoczeniu pyłu powstającego podczas obróbki materiału
- **Ręce należy trzymać z dala od obszaru pracy i ostrza; drugą rękę należy trzymać na uchwycie przednim D** (trzymanie piły oburącz zapobiega skaleczeniu się ostrzem)
- **Nie należy sięgać ręką pod spód przecinanego materiału** (nie widać wtedy, że ostrze jest blisko ręki)
- **Nigdy nie należy trzymać przecinanego materiału w rękach ani na kolanach** (konieczne jest prawidłowe podparcie części tak, aby zapobiec niebezpieczeństwu skaleczeń, zakleszczeniu się piły czy utracie kontroli)
- **Nie należy używać tępych ani uszkodzonych ostrzy** (wygięte ostrza łatwo się łamią i powodują odskakiwanie narzędzia)
- **Podczas wyjmowania ostrza z narzędzia należy używać rękawic ochronnych** (po długotrwałym używaniu ostrze piły może być gorące)
- Należy stosować okulary ochronne i ochraniacze słuchu

#### **AKUMULATORY**

- **Dostarczany akumulator jest częściowo naładowany** (aby zapewnić pełne naładowanie akumulatora, przed użyciem elektronarzędzia po raz pierwszy akumulator należy całkowicie naładować ładowarką)
- **Do narzędzia należy stosować wyłącznie niższe akumulatory i ładowarki**
  - Akumulator SKIL: BR1 \*31\*\*\*\*
  - Ładowarka SKIL: CR1 \*31\*\*\*\*
- Uszkodzony akumulator należy wymienić; nie należy używać go do pracy
- Zabrania się rozmontowywania akumulatora
- Narzędzie/akumulator należy chronić przed deszczem
- Dopuszczalna temperatura otoczenia (narzędzie/ ładowarka/akumulator):
  - podczas ładowania 4...40°C
  - podczas pracy -20...+50°C
  - podczas przechowywania -20...+50°C

#### **OBJAŚNIENIE SYMBOLI NA NARZĘDZIU/ AKUMULATORZE**

- ③ Przed użyciem należy przeczytać instrukcję
- ④ Akumulatory w kontakcie z ogniem mogą eksplodować, więc nie wolno ich pod żadnym pozorem spalać
- ⑤ Narzędzie/ładowarka/akumulator należy zawsze przechowywać w miejscach o temperaturze nie przekraczającej 50°C
- ⑥ Narzędzi elektrycznych oraz baterii/akumulatorów nie należy wyrzucać razem ze zwykłymi śmieciami z gospodarstw domowych

#### **UŻYTKOWANIE**

- **Ładowanie akumulatora ! prosimy przeczytać ostrzeżenia dotyczące bezpieczeństwa oraz instrukcje dostarczone wraz z ładowarką**
- Wymywanie/zakładanie akumulatora ②



- Wskaźnik poziomu naładowania akumulatora ⑦
  - w celu wyświetlenia aktualnego poziomu naładowania ⑦a, należy nacisnąć przycisk wskaźnika poziomu naładowania akumulatora J
- ! **gdy po wciśnięciu przycisku J ⑦b najniższy wskaźnik poziomu naładowania akumulatora zaczyna migać, wówczas oznacza to, że akumulator jest rozładowany**
- ! **gdy po wciśnięciu przycisku J ⑦c zaczną migać 2 wskaźniki poziomu naładowania akumulatora, wówczas oznacza to, że temperatura akumulatora nie mieści się w dozwolonym przedziale pracy**
- Połączony włącznik i regulator prędkości z przyciskiem blokowania ⑧ ⑨
  - najpierw należy nacisnąć przycisk F, aby wyłączyć blokadę
  - narzędzie włączane jest pociągnięciem za spust G
  - zmieniając stopień nacisku na przycisk włącznika/ wyłącznika można bezstopniowo sterować prędkością w zakresie od zera do prędkości maksymalnej
  - aby wyłączyć, wystarczy puścić spust G
- Istnieje możliwość włączenia blokady przyciskiem blokowania F ⑧
  - po włączeniu blokady, włącznik zostaje zablokowany, a narzędzie jest zabezpieczone przed przypadkowym włączeniem
- Podwójna lampka LED ⑩
  - Podwójna lampka LED zapala się automatycznie w chwili użycia przełącznika G
  - ! **miganie lampki LED oznacza, że włączył się system ochrony akumulatora (patrz poniżej)**
- System ochrony akumulatora
  - Narzędzie nagle wyłącza się lub nie można go włączyć, gdy
    - **obciążenie jest zbyt duże** -> należy usunąć obciążenie i włączyć narzędzie ponownie
    - **temperatura akumulatora jest poza dopuszczalnym zakresem wynoszącym od -20 do 50°C** --> po naciśnięciu przycisku J ⑦c zaczną migać 2 paski poziomu energii akumulatora na wskaźniku; należy poczekać, aż temperatura akumulatora powróci do dopuszczalnego zakresu pracy
    - **akumulator jest prawie całkowicie wyczerpany (zabezpieczenie przed głębokim rozładowaniem)** --> naciśnięcie przycisku J powoduje wyświetlenie na wskaźniku niskiego poziomu akumulatora lub miganie paska niskiego poziomu akumulatora; naładować akumulator
    - ! **po automatycznym wyłączeniu narzędzia nie należy naciskać włącznika („wł./wył.”), ponieważ może to spowodować uszkodzenie akumulatora**
- Instalacja ostrza tnącego ⑪
  - ! **przed jakąkolwiek regulacją lub zmianą akcesoriów należy wyjąć z narzędzia akumulator**
  - należy przekreślić zacisk ostrza C w kierunku zaznaczonym strzałką na narzędziu i przytrzymać go w tej pozycji
  - włożyć ostrze (zębami skierowanymi w dół lub w górę) do oporu
  - puścić zacisk ostrza C
  - popchnąć i pociągnąć ostrze w celu sprawdzenia, czy jest prawidłowo zablokowane
- Wyjmowanie ostrza piły ⑪

- ! **przed jakąkolwiek regulacją lub zmianą akcesoriów należy wyjąć z narzędzia akumulator**
- należy przekreślić zacisk ostrza C w kierunku zaznaczonym strzałką na narzędziu i przytrzymać go w tej pozycji
- wyjąć ostrze
- puścić zacisk ostrza C
- Obsługa narzędzia
  - ! **obrabiany materiał należy bezpiecznie unieruchomić**
  - zaznaczyć linię cięcia na materiale
  - zamontować w narzędziu akumulator
  - chwycić narzędzie jedną ręką za rękojeść H, a drugą za izolowany uchwyt przedni D
  - włączyć narzędzie
  - prowadzić narzędzie wzdłuż zaznaczonej linii cięcia
  - aby zminimalizować odrzut i drgania, mocno dociskać odchylaną stopę B do przecinanego elementu
- Trzymanie i prowadzenie narzędzia
  - ! **podczas pracy należy zawsze trzymać narzędzie za uchwyt(y) w kolorze szarym ⑫**
  - szczeliny wentylacyjne E nie mogą być zasłonięte
  - nie należy przyciskać narzędzia zbyt mocno; należy pozwolić mu pracować
  - ! **należy pilnować, aby ostrze piły wystawało na zewnątrz materiału przez cały skok piły ⑬**
- Odchylenie stopy ⑭
  - wcisnąć przycisk blokowania F do pozycji zablokowanej, a następnie wyjąć akumulator z narzędzia
  - mocno przytrzymać piłę, a następnie odchylić stopę B na żądany kąt; uważać, aby nie dotknąć ostrza
  - ponownie założyć akumulator i przygotować się do piłowania

## WSKAZÓWKI DOTYCZĄCE UŻYTKOWANIA

- Cięcie wgłębne ⑮
  - Cięcie wgłębne można wykonać w drewnie i innych miękkich materiałach bez wstępnego wiercenia otworu
  - używać grubego ostrza
  - ! **przed jakąkolwiek regulacją lub zmianą akcesoriów należy wyjąć z narzędzia akumulator**
  - zaznaczyć odpowiednią linię cięcia na materiale
  - odchylić narzędzie tak, aby ostrze nie dotykało materiału
  - włączyć narzędzie i ostrożnie wsunąć pracujące ostrze piły do materiału
  - gdy ostrze zagłębi się w materiał, kontynuować cięcie wzdłuż zaznaczonej linii
  - ! **nie należy wykonywać cięć wgłębnych w metalu**
- Należy używać właściwych brzeszczotów pił ⑯
- Podczas cięcia metalu należy regularnie zwilżać olejem brzeszczot piły
- Cięcie bez odłupywania krawędzi
  - przed piłowaniem linię cięcia należy zakleić kilkoma warstwami szerokiej taśmy klejącej
  - eksponowaną stronę piłowanego materiału należy zawsze układać do dołu
- Więcej informacji można znaleźć pod adresem [www.skil.com](http://www.skil.com)

## KONSERWACJA / SERWIS

- Narzędzie nie jest przeznaczone do zastosowań profesjonalnych
- Należy zawsze dbać o czystość narzędzia (a szczególnie szczelin wentylacyjnych E ②)  
**! przed rozpoczęciem czyszczenia należy wyjąć z narzędzia akumulator**
- Jeśli narzędzie, mimo dokładnej i wszechstronnej kontroli produkcyjnej ulegnie kiedykolwiek awarii, naprawę powinien przeprowadzić autoryzowany serwis elektronarzędzi firmy SKIL
  - nierozbrane narzędzie należy odesłać, wraz z dowodem zakupu, do swojego dystrybutora lub do najbliższego punktu serwisowego SKIL (adresy oraz diagram serwisowy narzędzia znajdują się na stronach [www.skil.com](http://www.skil.com))
- Prosimy pamiętać, że uszkodzenia spowodowane przeciążeniem lub niewłaściwym użytkowaniem narzędzia nie podlegają gwarancji (warunki gwarancji SKIL znajdują się na [www.skil.com](http://www.skil.com) lub pytać swojego dealera)

## ŚRODOWISKO

- Elektronarzędzi, akumulatorów, akcesoriów i opakowania nie należy wyrzucać razem z odpadami z gospodarstwa domowego (dotyczy tylko państw UE)
    - zgodnie z Europejską Dyrektywą 2012/19/WE w sprawie zużytego sprzętu elektrotechnicznego i elektronicznego oraz dostosowaniem jej do prawa krajowego, zużyte elektronarzędzia należy poseregować i zutylizować w sposób przyjazny dla środowiska
    - w przypadku potrzeby pozbycia się narzędzia, akcesoriów i opakowania - przypomni Ci o tym symbol ⑥
- ! aby nie dopuścić do zwarcia, przed utylizacją należy zabezpieczyć wyprowadzenia akumulatora grubą taśmą**

## HAŁAS / WIBRACJE

- Poziom ciśnienia akustycznego narzędzia zmierzony zgodnie z normą EN 62841 wynosi 87 dB(A), poziom mocy akustycznej wynosi 98 dB(A) (niepewność K = 3 dB), zaś poziom drgań\* (sumy wektorowe przyspieszeń mierzone czujnikiem triax; niepewność K = 1,5 m/s<sup>2</sup>) wynosi:
    - \* cięcie desek 10,58 m/s<sup>2</sup>
    - \* cięcie belek drewnianych 8,46 m/s<sup>2</sup>
  - Poziom emisji drgań został zmierzony zgodnie z testem standaryzowanym podanym w EN 62841; może służyć do porównania jednego narzędzia z innym i jako ocena wstępna narażenia na wibracje w trakcie używania narzędzia do wymienionych zadań
    - używanie narzędzia do innych zastosowań, lub z innymi albo źle utrzymanymi akcesoriami, może znacząco zwiększyć poziom narażenia
    - przypadki, kiedy narzędzie jest wyłączone lub pracuje, ale aktualnie nie wykonuje zadania, mogą znacząco zmniejszyć poziom narażenia
- ! należy chronić się przed skutkami wibracji przez konserwację narzędzia i jego akcesoriów, dbanie o ciepło dłoni i właściwą organizację pracy**

RU

## Бесщеточная аккумуляторная 3475 сабельная пила

предусмотренных изготовителем для продукции, могут входить настоящее руководство по эксплуатации, а также приложения.  
Информация о подтверждении соответствия содержится в приложении.

### Срок службы изделия

Срок службы изделия составляет 7 лет. Не рекомендуется к эксплуатации по истечении 5 лет хранения с даты изготовления без предварительной проверки (дату изготовления см. на этикетке).

### Перечень критических отказов и ошибочные действия персонала или пользователя

- не использовать с поврежденной рукояткой или поврежденным защитным кожухом
- не использовать при появлении дыма непосредственно из корпуса изделия
- не использовать с перебитым или оголенным электрическим кабелем
- не использовать на открытом пространстве во время дождя (в распыляемой воде)
- не включать при попадании воды в корпус
- не использовать при сильном искрении
- не использовать при появлении сильной вибрации

### Критерии предельных состояний

- перетёрт или повреждён электрический кабель
- повреждён корпус изделия

### Тип и периодичность технического обслуживания

Рекомендуется очистить инструмент от пыли после каждого использования.

### Хранение

- необходимо хранить в сухом месте
- необходимо хранить вдали от источников повышенных температур и воздействия солнечных лучей
- при хранении необходимо избегать резкого перепада температур
- хранение без упаковки не допускается
- подробные требования к условиям хранения смотрите в ГОСТ 15150 (Условие 1)

### Транспортировка

- категорически не допускается падение и любые механические воздействия на упаковку при транспортировке
- при разгрузке/погрузке не допускается использование любого вида техники, работающей по принципу зажима упаковки
- подробные требования к условиям транспортировки смотрите в ГОСТ 15150 (Условие 5)

### ВНИМАНИЕ!

**В случае возникновения перебоя в работе электроинструмента вследствие полного или частичного прекращения энергоснабжения или повреждения цепи управления энергоснабжением установите выключатель в положение Выкл.,**

убедившись, что он не заблокирован (при его наличии) и отключите сетевую вилку от розетки или отсоедините съёмный аккумулятор (этим предотвращается неконтролируемый повторный запуск)

## ВВЕДЕНИЕ

- Этот инструмент предназначен для резки дерева, пластика, металла и строительных материалов, а также для обрезки деревьев.
- Данное устройство не предназначено для профессионального использования.
- Изучите и сохраните данное руководство по эксплуатации. ③

## ТЕХНИЧЕСКИЕ ХАРАКТЕРИСТИКИ ①

### СТРАНА ИЗГОТОВЛЕНИЯ

Сделано в Китае

### КОМПОНЕНТЫ УСТРОЙСТВА ②

- A Режущий элемент
- B Поворотная подошва
- C Зажим режущего элемента
- D Держатель
- E Вентиляционные отверстия
- F Кнопка блокировки
- G Переключатель для включения/выключения и регулировки скорости
- H Рукоятка
- J Кнопка индикатора уровня заряда аккумулятора
- K Двойная светодиодная подсветка

## БЕЗОПАСНОСТЬ

### ОБЩИЕ ПРАВИЛА ТЕХНИКИ БЕЗОПАСНОСТИ ПРИ РАБОТЕ С ЭЛЕКТРОИНСТРУМЕНТАМИ

**⚠ ПРЕДУПРЕЖДЕНИЕ.** Прочитайте все правила безопасности, инструкции, иллюстрации и спецификации, прилагаемые к этому электроинструменту. Невыполнение изложенных ниже инструкций может привести к поражению электрическим током, пожару и (или) тяжелым травмам.

**Сохраните все предупреждения и инструкции для использования в будущем.**

Термин «электроинструмент» в предупреждениях означает электрический инструмент с питанием от сети (с кабелем) или электрический инструмент с питанием от аккумулятора (без кабеля).

#### 1) БЕЗОПАСНОСТЬ РАБОЧЕГО МЕСТА

- a) **Обеспечьте чистоту и освещенность рабочего места.** Загроможденные и плохо освещенные места служат причиной несчастных случаев.
- b) **Не используйте электроинструменты во взрывоопасных местах, например вблизи горючих жидкостей, газов или пыли.** Электроинструменты генерируют искры, которые могут воспламенить пыль или испарения.

- c) **Не позволяйте детям и посторонним находиться вблизи работающего электроинструмента.** Отвлекающие факторы могут привести к потере контроля.

#### 2) ЭЛЕКТРОТЕХНИЧЕСКАЯ БЕЗОПАСНОСТЬ

- a) **Вилка электроинструмента должна соответствовать розетке. Никогда не переделывайте вилку. Не используйте никакие переходники для вилок электроинструментов с заземлением.** Использование оригинальных вилок и соответствующих им розеток уменьшает риск поражения электрическим током.
  - b) **Избегайте прикосновений к заземленным объектам, таким как трубы, радиаторы, плиты и холодильники.** Риск поражения электрическим током выше, когда тело заземлено.
  - c) **Не подвергайте электроинструменты воздействию дождя или влаги.** При попадании воды в электроинструмент увеличивается риск поражения электрическим током.
  - d) **Обращайтесь с кабелем аккуратно. Никогда не переносите, не тяните и не выключайте электроинструмент за кабель. Держите кабель подальше от источников тепла, масла, острых предметов или движущихся частей.** Поврежденные и запутанные кабели повышают риск поражения электрическим током.
  - e) **Для работы с электроинструментом вне помещения используйте предназначенный для этого удлинительный кабель.** Использование кабеля, подходящего для использования вне помещения, снижает риск поражения электрическим током.
  - f) **Если использование электроинструмента в сыром помещении неизбежно, подключайте его через устройство защитного отключения (УЗО).** Использование УЗО снижает риск поражения электрическим током.
- #### 3) ЛИЧНАЯ БЕЗОПАСНОСТЬ
- a) **При использовании электроинструмента будьте бдительны, следите за своими действиями и следуйте здравому смыслу. Не пользуйтесь электроинструментом, если вы устали или находитесь под воздействием наркотиков, алкоголя или медикаментов.** Даже кратковременная невнимательность при работе с электроинструментом может привести к тяжелым травмам.
  - b) **Используйте средства индивидуальной защиты. Всегда используйте защитные средства для глаз.** Защитное оборудование, такое как противопылевая маска, нескользкая предохранительная обувь, жесткая каска или устройства защиты органов слуха в соответствующих условиях уменьшает риск травмирования.
  - c) **Не допускайте непредвиденных запусков. Перед подключением инструмента к сети питания (или аккумулятору) и перед его переноской убедитесь, что выключатель находится в выключенном положении.** Не держите палец на выключателе при переноске электроинструментов и не включайте вилку в розетку, если электроинструмент включен. Это может привести к

несчастному случаю.

- d) **Перед включением электроинструмента снимите с него регулировочные инструменты и гаечные ключи.** Регулировочный инструмент или гаечный ключ, оставленный на вращающейся части электроинструмента, может стать причиной травмы.
  - e) **Не тянитесь. Всегда сохраняйте устойчивое положение и равновесие.** Это позволит лучше контролировать электроинструмент в непредвиденных ситуациях.
  - f) **Одевайтесь надлежащим образом. Не надевайте свободную одежду и украшения. Держите волосы и одежду подальше от движущихся частей.** Свободная одежда, украшения и длинные волосы могут попасть в движущиеся части.
  - g) **При наличии устройств для отвода и сбора пыли убедитесь, что они подключены и правильно работают.** Использование пылеулавливающих устройств снижает вред, причиняемый пылью.
  - h) **Не допускайте небрежности, которая может возникнуть из-за частого использования инструмента и повлечь за собой самоуверенность и игнорирование правил безопасности.** Неосторожное действие может причинить серьезную травму за доли секунды.
- 4) ИСПОЛЬЗОВАНИЕ И ОБСЛУЖИВАНИЕ ЭЛЕКТРОИНСТРУМЕНТА**
- a) **Не прикладывайте к электроинструменту чрезмерных усилий. Используйте подходящий для ваших задач электроинструмент.** Правильно выбранный электроинструмент более эффективен и безопасен при номинальной нагрузке.
  - b) **Не используйте электроинструмент, если его выключатель неисправен.** Электроинструменты с неисправным выключателем опасны и подлежат ремонту.
  - c) **Перед регулировкой, сменой аксессуаров или хранением отключите электроинструмент от сети питания и (или) извлеките аккумулятор, если это возможно.** Такие меры предосторожности уменьшают риск случайного запуска электроинструмента.
  - d) **Храните неиспользуемые электроинструменты в местах, недоступных для детей, и не доверяйте электроинструмент лицам, не знакомым с ним и с этими инструкциями.** Электроинструменты опасны в руках неподготовленных пользователей.
  - e) **Выполняйте техническое обслуживание электроинструментов и принадлежностей. Проверьте выравнивание и сцепление подвижных деталей, наличие поломок и прочие условия, которые могут повлиять на работу электроинструмента. Если электроинструмент поврежден, перед использованием его необходимо отремонтировать.** Недостаточный уход за электроинструментом является причиной многих несчастных случаев.
  - f) **Храните режущие инструменты в чистоте и заточенном состоянии.** Правильно обслуживаемые и хорошо заточенные режущие инструменты меньше заклинивают и лучше контролируются.
  - g) **Используйте электроинструмент, аксессуары, насадки и т. п. в соответствии с этими**

**инструкциями, учитывая условия и специфику выполняемой работы.** Использование электроинструмента для выполнения непредусмотренных операций может привести к опасным ситуациям.

- h) **Следите за тем, чтобы рукоятки и поверхности захвата были сухими и чистыми и на них не было масла или смазочного материала.** Скользкие рукоятки и поверхности захвата не позволяют безопасно использовать инструмент и контролировать его в непредвиденных ситуациях.
- 5) ЭКСПЛУАТАЦИЯ И ОБСЛУЖИВАНИЕ ИНСТРУМЕНТА С ПИТАНИЕМ ОТ АККУМУЛЯТОРА**
- a) **Заряжайте аккумуляторы только с помощью зарядного устройства, указанного изготовителем.** Зарядное устройство, предназначенное для одного типа аккумуляторных батарей, может стать причиной пожара при использовании с другим типом батарей.
  - b) **Используйте электроинструмент только со специально предназначенными для него аккумуляторами.** Использование любого другого вида аккумуляторных батарей может стать причиной несчастных случаев или пожара.
  - c) **Когда аккумулятор не используется, храните его отдельно от металлических предметов — канцелярских скрепок, монет, ключей, гвоздей, винтов и др. — они могут соединить контакты.** Короткое замыкание контактов аккумуляторной батареи может стать причиной ожогов или пожара.
  - d) **При неблагоприятных обстоятельствах из аккумулятора может потечь электролит. Избегайте контакта с ним. При случайном контакте промойте водой. Если жидкость попала в глаза, обратитесь к врачу.** Жидкость из аккумуляторной батареи может вызвать раздражение и ожоги.
  - e) **Не используйте аккумулятор и инструмент, если они повреждены или подвергались модификациям.** Поведение поврежденных или модифицированных аккумуляторов может быть непредсказуемым, что приведет к возгоранию, взрыву и риску получения травм.
  - f) **Не подвергайте аккумуляторную батарею и инструмент воздействию огня и высокой температуры.** Воздействие огня или температуры выше 130 °C может привести к взрыву.
  - g) **Следуйте всем инструкциям по зарядке и не заряжайте аккумулятор и инструмент при температуре, выходящей за пределы указанного диапазона.** Если зарядка выполняется неправильно или в условиях неподходящей температуры, это может привести к повреждению аккумулятора и возгоранию.
- 6) РЕМОНТ**
- a) **Ремонт электроинструмента должен выполняться квалифицированным специалистом с использованием только идентичных запасных частей.** Это обеспечит безопасную работу электроинструмента.
  - b) **Никогда не выполняйте обслуживание поврежденного аккумулятора.** Обслуживание аккумуляторов должно выполняться только

производителем или в авторизованном сервисном центре.

## ИНСТРУКЦИИ ПО ТЕХНИКЕ БЕЗОПАСНОСТИ ПРИ ИСПОЛЬЗОВАНИИ БЕСЩЕТОЧНОЙ САБЕЛЬНОЙ ПИЛЫ

- При выполнении работ, в ходе которых режущий элемент может наткнуться на скрытый электропроводник, держите электроинструмент за поверхности захвата с защитным покрытием. Если режущий элемент коснется провода под напряжением, неизолированные металлические части электроинструмента могут также оказаться под напряжением, что приведет к поражению оператора электрическим током.
- Используйте зажимы и другие приспособления для фиксации заготовки на устойчивой платформе. Если держать обрабатываемую деталь руками или прижимать к телу, это может привести к потере равновесия и контроля.

### ПРИНАДЛЕЖНОСТИ

- Компания SKIL может гарантировать безупречную работу инструмента только при использовании оригинальных принадлежностей.
- Используйте только такие насадки, допустимая скорость вращения которых по крайней мере равна самой высокой скорости работы устройства без нагрузки.

### ПЕРЕД ИСПОЛЬЗОВАНИЕМ

- Остерегайтесь винтов, гвоздей и прочих предметов заготовки, уберите их перед началом работы.
- Для обнаружения скрытых коммуникаций используйте соответствующие детекторы или обратитесь за помощью в местное коммунальное предприятие. Контакт с электропроводкой может привести к пожару или поражению электрическим током, повреждение газопровода может привести к взрыву, а повреждение водопровода может повлечь повреждение имущества или поражение электрическим током.

### ЛИЧНАЯ БЕЗОПАСНОСТЬ

- Данный инструмент не должен использоваться лицами младше 16 лет.
- Не обрабатывайте материалы, содержащие асбест. Асбест считается канцерогенным веществом.
- Пыль от материалов, таких как краска с содержанием свинца, некоторые породы дерева, минералы и металлы, может быть вредна. Контакт с такой пылью или ее вдыхание может вызвать аллергические реакции и (или) болезнь органов дыхания у оператора или находящихся рядом лиц. **Необходимо надевать респиратор и по возможности использовать пылеулавливающее устройство.**
- Некоторые виды пыли классифицируются как канцерогенные (например, дубовая и буковая пыль), особенно в сочетании с добавками для кондиционирования древесины. **Надевайте респиратор и по возможности используйте пылеулавливающие устройства.**
- При работе с различными материалами следуйте национальным нормативным требованиям в

отношении пыли.

- **Держите руки на расстоянии от обрабатываемого участка и режущего элемента. Вторая рука должна находиться на держателе D** ②. При удерживании пилы двумя руками получение травмы в результате пореза невозможно.
- **Не беритесь за заготовку снизу**, так как в этой ситуации не видно, как близко находится режущий элемент к вашей руке.
- **Никогда не держите заготовку в руках или на коленях.** Необходимо правильно закрепить заготовку, чтобы уменьшить риск получения травмы, заклинивания режущего элемента или потери управления.
- **Не используйте затупившиеся или поврежденные режущие элементы.** Деформированные режущие элементы могут легко сломаться или привести к возникновению отдачи.
- **Всегда надевайте защитные перчатки при извлечении режущего элемента из инструмента.** Режущий элемент может нагреваться при длительном использовании.
- Надевайте защитные средства для глаз и ушей.

### АНКУМУЛЯТОРЫ

- **Аккумулятор поставляется частично заряженным** (чтобы обеспечить полную емкость аккумулятора, перед первым использованием инструмента полностью зарядите аккумулятор с помощью зарядного устройства).
- **Используйте с этим инструментом только указанные далее аккумуляторы и зарядные устройства.**
  - Аккумулятор SKIL: BR1 \*31\*\*\*\*
  - Зарядное устройство SKIL: CR1 \*31\*\*\*\*
- Не используйте поврежденный аккумулятор, его необходимо заменить.
- Не разбирайте аккумулятор.
- Не оставляйте инструмент и аккумулятор под дождем.
- Допустимая температура окружающей среды (инструмент/зарядное устройство/аккумулятор):
  - при зарядке 4...40 °C
  - при эксплуатации -20...+50 °C
  - при хранении -20...+50 °C

### ПОЯСНЕНИЯ К ОБОЗНАЧЕНИЯМ НА ИНСТРУМЕНТЕ И АНКУМУЛЯТОРЕ

- ③ Перед использованием ознакомьтесь с инструкциями.
- ④ При попадании в огонь аккумулятор может взорваться. Ни в коем случае не сжигайте аккумуляторы.
- ⑤ Храните инструмент, зарядное устройство и аккумулятор в таких местах, где температура не превышает 50 °C.
- ⑥ Не выбрасывайте электроинструменты и аккумуляторы вместе с бытовыми отходами.

## ИСПОЛЬЗОВАНИЕ

- **Зарядка аккумулятора**  
**! Ознакомьтесь с предупреждениями и инструкциями по технике безопасности, прилагаемыми к зарядному устройству.**
- Извлечение и установка аккумулятора ②
- Индикатор уровня заряда ⑦



- Нажмите кнопку индикатора уровня заряда аккумулятора J, чтобы увидеть текущий уровень заряда ⑦а
- ! Если после нажатия кнопки J ⑦b начинает мигать самый нижний индикатор уровня заряда, то аккумулятор разряжен.
- ! Если после нажатия кнопки J ⑦с начинают мигать 2 уровня индикатора заряда, температура аккумулятора выходит за пределы допустимого диапазона рабочих температур.
- Комбинированный переключатель для включения/выключения и регулировки скорости с кнопкой блокировки ⑧ ⑨
  - Сначала снимите блокировку нажатием кнопки F.
  - Включите инструмент, зажав курковый переключатель G.
  - Скорость плавно регулируется от нуля до максимума путем уменьшения или увеличения давления на курок.
  - Выключите инструмент, отпустив курковый переключатель G.
- Кнопка блокировки F ⑧
  - Если активирована, выключатель блокируется, что исключает случайное включение инструмента.
- Двойная светодиодная подсветка K ⑩
  - Автоматически начинает светиться при активации переключателя G.
  - ! Если светодиодная подсветка начинает мигать, активируется защита аккумулятора (см. ниже).
- Защита аккумулятора
  - Инструмент внезапно выключается или не включается, когда:
    - нагрузка слишком высока --> уменьшите нагрузку и выполните перезапуск;
    - температура аккумулятора вышла за пределы допустимого диапазона рабочих температур от -20 до +50 °C --> при нажатии кнопки J ⑦с начинают мигать 2 уровня индикатора уровня заряда. Дождитесь, пока температура аккумулятора вернется в допустимый диапазон рабочих температур;
    - аккумулятор почти разряжен (для защиты от глубокого разряда) --> нижний уровень заряда аккумулятора или полная разрядка аккумулятора иb отображается индикатором уровня заряда при нажатии кнопки J. Зарядите аккумулятор.
  - ! В случае автоматического выключения инструмента не пытайтесь включить его снова, поскольку при этом может быть поврежден аккумулятор.
- Установка режущего элемента ⑪
  - ! Всегда извлекайте аккумулятор из инструмента перед выполнением любых регулировок или сменой насадок.
  - Поверните зажим режущего элемента C в направлении, указанном стрелкой, и удерживайте в этом положении.
  - Вставьте режущий элемент зубцами вверх или вниз на максимальную глубину.
  - Отпустите зажим режущего элемента C.
  - Потяните режущий элемент, чтобы проверить надежность фиксации.
- Извлечение режущего элемента ⑪
  - ! Всегда извлекайте аккумулятор из инструмента перед выполнением любых регулировок или сменой насадок.
  - Поверните зажим режущего элемента C в направлении, указанном стрелкой, и удерживайте в этом положении.
  - Извлеките режущий элемент.
  - Отпустите зажим режущего элемента C.
- Работа с инструментом
  - ! Надежно закрепите заготовку.
  - Отметьте линию распила на заготовке.
  - Установите аккумулятор в инструмент.
  - Держите инструмент одной рукой за рукоятку H, а другой рукой за изолированный держатель D.
  - Включите инструмент.
  - Направьте инструмент вдоль отмеченной линии распила.
  - Поворотная подошва B должна плотно прилегать к заготовке, чтобы свести к минимуму противодействие и вибрацию.
- Удерживание и направление инструмента
  - ! Во время работы всегда держите инструмент за поверхности захвата, обозначенные серым цветом ⑫
  - Не закрывайте вентиляционные отверстия E.
  - Не прилагайте слишком больших усилий к инструменту, работайте спокойно.
  - ! Убедитесь, что режущий элемент выходит за пределы заготовки на протяжении всего хода ⑬
- Поворот подошвы ⑭
  - Установите кнопку блокировки F в заблокированное положение, а затем извлеките аккумулятор из инструмента.
  - Крепко удерживая пилу, поверните подошву B под нужным углом, избегая ее контакта с режущим элементом.
  - Установите аккумулятор на место и приступайте к работе.

## СОВЕТЫ ПО ИСПОЛЬЗОВАНИЮ

- Погружной распил ⑮
  - Погружные пилы можно выполнять в древесине и других мягких материалах без предварительного сверления отверстия.
  - Используйте толстый режущий элемент.
  - ! Всегда извлекайте аккумулятор из инструмента перед выполнением любых регулировок или сменой насадок.
  - Отметьте линию распила на заготовке.
  - Наклоните инструмент так, чтобы режущий элемент не касался заготовки.
  - Включите инструмент и осторожно введите движущийся режущий элемент в заготовку.
  - После того как режущий элемент пройдет сквозь заготовку, продолжайте движение по отмеченной линии распила.
  - ! Не выполняйте погружные распилы в металлических материалах.
- Используйте подходящие режущие элементы ⑯
- При резке металлов регулярно смазывайте режущий элемент маслом.
- Распиливание без щепок.



- Перед резкой накройте линию распила несколькими слоями широкой ленты.
- Всегда располагайте заготовку лицевой стороной вниз.
- Дополнительную информацию см. на сайте [www.skil.com](http://www.skil.com)

## ТЕХНИЧЕСКОЕ ОБСЛУЖИВАНИЕ И УХОД

- Этот инструмент не предназначен для профессионального использования.
- Всегда содержите инструмент в чистоте (особенно вентиляционные отверстия E ②)
- ! **Перед очисткой извлеките из инструмента аккумулятор.**
- Если несмотря на тщательность изготовления и испытаний инструмент выйдет из строя, его ремонт должен осуществляться в центре послепродажного обслуживания электроинструментов SKIL.
  - Отправьте инструмент в разобранном виде вместе с документом, подтверждающим покупку, вашему дилеру или в ближайший сервисный центр SKIL. Адреса и сервисная схема инструмента приведены на сайте [www.skil.com](http://www.skil.com).
- Имейте в виду, что на повреждения, вызванные перегрузкой или неправильным обращением с инструментом, гарантия не распространяется (условия гарантии SKIL см. на сайте [www.skil.com](http://www.skil.com) или уточните у дилера).

## ЗАЩИТА ОКРУЖАЮЩЕЙ СРЕДЫ

- Не выбрасывайте электроинструменты, аккумуляторы, принадлежности и упаковку вместе с бытовыми отходами (только для стран ЕС).
  - В соответствии с Европейской директивой 2012/19/ЕС об отходах электрического и электронного оборудования и ее выполнением в соответствии с национальным законодательством электрические инструменты, отслужившие свой срок, должны собираться отдельно и доставляться на перерабатывающее предприятие, не наносящее ущерба окружающей среде.
  - Символ ⑥ напомним об этом, когда возникнет необходимость в утилизации.
- ! **Перед утилизацией аккумулятора защитите его клеммы плотной изоляционной лентой для предотвращения короткого замыкания.**

## УРОВЕНЬ ШУМА И ВИБРАЦИИ

- Измеренный в соответствии со стандартом EN 62841 уровень звукового давления данного инструмента составляет **87 дБ (А)**, уровень звуковой мощности **98 дБ (А)** (погрешность  $K = 3$  дБ), а вибрация \* (суммарная трехкомпонентная вибрация; погрешность  $K = 1,5$  м/с<sup>2</sup>).
  - \* Резка досок **10,58 м/с<sup>2</sup>**
  - \* Резка деревянных балок **8,46 м/с<sup>2</sup>**
- Уровень вибрации был измерен в соответствии со стандартизированным испытанием, содержащимся в EN 62841, и может использоваться для сравнения одного инструмента с другим, а также для предварительной оценки воздействия вибрации при

использовании данного инструмента в указанных целях.

- При использовании инструмента в других целях или с другими либо неисправными принадлежностями уровень вибрации может значительно **повышаться**.
- Когда инструмент отключен или работает вхолостую, уровень вибрации может значительно снижаться.

! **Чтобы защититься от воздействия вибрации, поддерживайте инструмент и его принадлежности в исправном состоянии, держите руки в тепле, а также правильно организуйте рабочий процесс.**

UA

## Безщіткова бездротова шабельна пила

3475

### ВСТУП

- Даний інструмент призначений для розпиляння дерева, пластику, металу й будівельних матеріалів, а також для підрізання гілок.
- Цей інструмент не придатний для професійного використання
- Прочитайте і збережіть цю інструкцію з експлуатації. ③

### ТЕХНІЧНІ ДАНІ ①

### ЕЛЕМЕНТИ ІНСТРУМЕНТА ②

- A Лезо
- B Поворотний черевик
- C Затискач леза пилки
- D Шийка
- E Вентиляційні отвори
- F Кнопка блокування
- G Вимикач для вкл/викл та регулювання швидкості
- H Ручка
- J Індикатор рівня заряду аккумулятора
- K Подвійна світлодіодна лампа

### БЕЗПЕКА

#### ЗАГАЛЬНІ ПОПЕРЕДЖЕННЯ ЩОДО ТЕХНІКИ БЕЗПЕКИ РОБОТИ З ЕЛЕКТРОІНСТРУМЕНТАМИ

**▲ ПОПЕРЕДЖЕННЯ.** Прочитайте всі попередження безпеки, інструкції, ілюстрації та характеристики, надані з цим електроінструментом. Недотримання наведених нижче вказівок може спричинити ураження електричним струмом, пожежу та/або серйозні травми.

#### Зберігайте всі попередження та інструкції для використання в майбутньому.

Термін «електроінструмент» у попередженнях стосується електричного інструмента, що працює від електромережі (через шнур) або від аккумулятора (без шнура).

## 1) БЕЗПЕКА В РОБОЧІЙ ЗОНІ

- a) **Робоче місце має бути чистим і гарно освітленим.** Неприбрана або погано освітлена робоча зона може стати причиною нещасного випадку.
- b) **Не працюйте з інструментом у вибухонебезпечному середовищі, наприклад за наявності легкозаймистих рідин, газів або пилу.** Під час роботи електроприладу утворюються іскри, від яких можуть зайнятися пил або випари.
- c) **Дітям і спостерігачам заборонено перебувати поруч з електроінструментом, що працює.** Це може відволікати вас і призвести до втрати контролю.

## 2) ЕЛЕКТРИЧНА БЕЗПЕКА

- a) **Штепсельні вилки електроінструмента мають підходити до розеток. Заборонено модифікувати вилку будь-яким чином. Не використовуйте жодні перехідники для роботи із заземленими електроінструментами.** Використання штепселів і розеток, у які не вносилися зміни, зменшує ризик ураження електричним струмом.
- b) **Уникайте контакту частин тіла із заземленими поверхнями, такими як труби, батареї, плити й холодильники.** У разі заземлення тіла збільшується ризик ураження електричним струмом.
- c) **Бережіть електроінструмент від дощу та вологи.** Вода, що потрапила в електроінструмент, підвищує ризик ураження електричним струмом.
- d) **Поводьтесь обережно зі шнуром живлення. Не використовуйте шнур живлення для перенесення чи перетягування інструмента та виймання вилки з розетки. Бережіть шнур живлення від джерел тепла, мастил, гострих країв та рухомих частин.** Пошкоджені або заплутані шнури живлення підвищують ризик ураження електричним струмом.
- e) **Під час роботи з електроінструментом надворі використовуйте подовжувач, призначений для зовнішніх робіт.** Використання подовжувача, призначеного для зовнішніх робіт, зменшує ризик ураження електричним струмом.
- f) **Якщо роботи з електроінструментом у вологому середовищі не уникнути, скористайтеся пристроєм захисного вимкнення (ПЗВ).** Використання ПЗВ зменшує ризик ураження електричним струмом.

## 3) ІНДИВІДУАЛЬНА ТЕХНІКА БЕЗПЕКИ

- a) **Під час роботи з електроінструментом будьте уважними, слідкуйте за своїми діями та мисліть розсудливо. Не працюйте з електроінструментом, якщо ви втомлені або перебуваєте під дією наркотичних речовин, алкоголю або ліків.** Навіть миттєва втрата пильності під час роботи з електроінструментами може стати причиною важкої травми.
- b) **Використовуйте засоби особистого захисту. Завжди носіть засоби захисту очей.** Використання у відповідних умовах таких захисних засобів, як протипиловий респіратор, неслизьке захисне взуття, шолом-каска і навушники допоможе зменшити ризик травмування.
- c) **Уникайте випадкового запуску інструмента. Перш ніж підключати електроінструмент до**

**мережі живлення чи акумулятора, брати чи переносити його, перевірте, чи встановлено перемикач у положення «вимкнено».** Якщо переносити електроінструмент, тримаючи палець на вимикачі, або підключати його до джерела живлення, коли вимикач перебуває в положенні «увімкнено», це може призвести до травмування.

- d) **Перш ніж вмикати електроінструмент, слід зняти всі регульовальні клинці або гайкові ключі.** Якщо залишити такий ключ на рухомій частині електроінструмента, це може призвести до травмування.
  - e) **Не дотягуйтесь. Завжди міцно стійте на ногах і втримуйте рівновагу.** Це дає змогу краще керувати електроінструментом у разі виникнення непередбачуваних ситуацій.
  - f) **Одягайтеся належним чином. Не носіть вільний одяг або біжутерію. Стежте за тим, щоб волосся та одяг не потрапили на рухомі частини.** Вільний одяг, біжутерія або довге волосся можуть потрапити в рухомі частини.
  - g) **Якщо пристрої обладнано системою видалення пилу, переконайтеся, що її правильно підключено і що ви використовуєте її належним чином.** Використання пристрою для збирання пилу може зменшити безпеку, пов'язану з пилом.
  - h) **Не дозволяйте навичкам, отриманим після частого використання інструментів, змусити вас стати самовпевненими та ігнорувати принципи безпеки інструмента.** Недбала дія може спричинити серйозну травму протягом доли секунди.
- ## 4) ВИКОРИСТАННЯ ТА ДОГЛЯД ЗА ЕЛЕКТРОІНСТРУМЕНТОМ
- a) **Не застосовуйте силу до електроінструмента. Використовуйте належний електроінструмент відповідно до потреби.** Правильно підібраний електроінструмент допоможе краще і безпечніше зробити роботу з швидкістю, яка для неї передбачена.
  - b) **Не використовуйте електроінструмент, якщо перемикач не вмикає або не вимикає його.** Усі електроінструменти, якими неможливо керувати за допомогою перемикача, становлять небезпеку й підлягають ремонту.
  - c) **Перш ніж проводити будь-які налаштування, замінювати ансесуари або перед зберіганням слід вимкнути штепсель із джерела живлення та/або вийняти з інструмента акумулятор, якщо він знімний.** Такі запобіжні заходи техніки безпеки зменшують ризик випадкового запуску електроінструмента.
  - d) **Зберігайте інструменти, що не використовуються, подалі від дітей і не дозволяйте особам, які не мають досвіду роботи з такими інструментами або не знайомі з цією інструкцією, користуватись електроінструментом.** Електроінструменти становлять небезпеку в руках недосвідчених користувачів.
  - e) **Доглядайте за електроінструментами та ансесуарами. Перевіряйте їх на предмет розладнання чи блокування рухомих частин, а також будь-яких обставин, які можуть**

- вплинути на роботу електродвигуна. У разі пошкодження електродвигуна слід здати в ремонт, перш ніж користуватися ним. Часто нещасні випадки трапляються внаслідок неналежного технічного обслуговування електродвигунів.
- f) **Тримайте ріжучі інструменти гострими й чистими.** Належним чином доглянуті ріжучі інструменти з гострими ріжучими краями рідше блокуються, і ними легше керувати;
  - g) **Користуйтеся електродвигуном, аксесуарами та насадками для інструмента згідно з цією інструкцією, зважаючи на робочі умови та роботу, яку слід виконати.** Використання електродвигуна не за призначенням може стати причиною виникнення небезпечних ситуацій.
  - h) **Підтримуйте руків'я та захватні поверхні сухими, чистими, без жиру і бруду.** Слизькі ручки та захватні поверхні не дають змоги безпечно тримати та керувати інструментом у непередбачених ситуаціях.
- 5) КОРИСТУВАННЯ І ДОГЛЯД ЗА АКУМУЛЯТОРНИМ ІНСТРУМЕНТОМ**
- a) **Заряджайте лише за допомогою зарядного пристрою, уназавданого виробником.** Зарядний пристрій, який підходить для акумуляторів одного виду, може спричинити ризик пожежі у випадку його використання з іншим акумулятором.
  - b) **З електродвигунами слід використовувати лише призначені для них акумуляторні батареї.** Використання будь-яких інших акумуляторних батарей може призвести до травми або пожежі.
  - c) **Коли батарея не використовується, її слід тримати окремо від металевих предметів, наприклад затискачів для паперу, монет, ключів, цвяхів, шурупів та інших дрібних предметів, які можуть замкнути клему.** Коротке замикання клем акумулятора може стати причиною опіків чи пожежі.
  - d) **У надто важких умовах експлуатації з акумулятора може витікати рідина; не доторкайтесь до неї. Якщо випадково ви все ж торкнулися її, слід промити це місце водою. Якщо рідина потрапила в очі, слід також звернутися до лікаря.** Рідина, яка виступає з акумулятора, може спричинити подразнення або опіки.
  - e) **Не використовуйте акумуляторну батарею або інструмент, які пошкоджені або змінені.** Пошкоджені або змінені батареї можуть мати непередбачувану поведінку, що може спричинити пожежу, вибух або ризик травмування.
  - f) **Не піддавайте акумуляторну батарею або інструмент дії вогню або високих температур.** Вогонь або температура вище 130°C може спричинити вибух.
  - g) **Дотримуйтесь усіх інструкцій щодо заряджання та не заряджайте акумуляторну батарею або інструмент за межами температурного діапазону, зазначеного в інструкціях.** Зарядження неналежним чином або при температурах за межами вказаного діапазону може пошкодити акумулятор і збільшити ризик виникнення пожежі.
  - 6) **СЕРВІС**

- a) **Обслуговування електродвигуна повинен виконувати кваліфікований ремонтник із використанням лише ідентичних запасних частин.** Це забезпечить нормальну роботу електродвигуна.
- b) **Ніколи не ремонтуйте пошкоджені акумулятори.** Сервісне обслуговування акумуляторних батарей має виконувати лише виробник або авторизовані постачальники послуг.

## ВКАЗІВКИ З БЕЗПЕКИ ДЛЯ ШАБЕЛЬНОЇ ПИЛКИ З БЕЗШТІТОВИМ МОТОРОМ

- **Під час роботи, коли робочий інструмент може зачепити захочовану електродвигуна, тримайте електродвигуна за ізольовані рукоятки** (зачеплення проводки, що перебуває під напругою, може передавати напругу також і на металеві частини електродвигуна та призводити до удару електричним струмом)
- **Застосовуйте затискачі або інші засоби фіксації та опори заготовки на стабільній платформі** (затискання заготовки руками або з притискуванням до тіла робить його нестабільним та може призвести до втрати контролю за інструментом)

### АНКСЕСУАРИ

- SKIL гарантує надійну роботу інструмента тільки при використанні відповідного приладдя
- Використовуйте лише приладдя, припустима швидкість обертання якого як мінімум відповідає найвищій швидкості інструмента без навантаження

### ПЕРЕД ВИКОРИСТАННЯМ

- Не допускайте пошкодження, які можуть нанести шурупи, цвяхи та інші елементи вашої заготовки; видаліть їх перед початком роботи
- **Використовуйте придатні пошукові прилади для знаходження захочованих в будівлі труб та кабелів або зверніться за допомогою в місцеве підприємство електро-, газо- та водопостачання** (зачеплення електродвигуна може призводити до пожежі та удару електричним струмом; зачеплення газової труби може призводити до вибуху; зачеплення водопровідної труби може завдати шкоду матеріальним цінностям або призводити до удару електричним струмом)

### ІНДИВІДУАЛЬНА ТЕХНІКА БЕЗПЕКИ

- Цей інструмент не можна використовувати особам віком до 16 років
- **Не обробляйте матеріали, що містять асбест** (асбест вважається канцерогенним)
- Пил від таких матеріалів, як фарба з вмістом свинцю, деякі породи дерева, мінерали й метал, може бути шкідливим (контакт із таким пилом або його вдихання може стати причиною виникнення у оператора або осіб, що перебувають поруч, алергійних реакцій і/або респіраторних захворювань); **надягайте респіратор і працюйте з пиловиділяючим пристроєм під час роботи з інструментом**
- Деякі види пилу класифікуються як канцерогенні (наприклад, дубовий або буковий пил), особливо в сполученні з добавками для кондиціонування деревини; **надягайте респіратор і працюйте з пиловиділяючим пристроєм під час роботи з інструментом**

- Дотримуйтесь інструкцій із роботи з матеріалами, що утворюють пил
- **Не підносьте рук до зони різання та леза пилки; тримайте другу руку на шийці D ②** (якщо тримати пилу обома руками, їх неможливо порізати лезом)
- **Не просовуйте руки під заготовку** (відстань від леза до руки неможливо побачити)
- **Ніколи не тримайте заготовку в руках або на колінах** (важливо правильно розташувати виріб, щоб звести до мінімуму можливість контакту пили з частинами тіла, заїдання леза пили або втрати контролю)
- **Не використовуйте тупі або ушкоджені леза** (зігнуті леза легко ламаються або спричиняють віддачу)
- **Одягайте захисні рукавиці перед зніманням леза пилки** (воно може бути гарячим після довгої роботи)
- Одягайте захисні окуляри та засоби захисту волосся

#### БАТАРЕЇ

- **Акумулятор, який постачається в комплекті, є частково зарядженим** (повністю зарядіть акумулятор у зарядному пристрої перед першим використанням свого електроінструмента, щоб забезпечити повну потужність акумулятора)
- **Використовуйте з інструментом тільки такі акумулятори і зарядні пристрої**
  - Акумулятор SKIL: BR1 \*31\*\*\*\*
  - Зарядний пристрій SKIL: CR1 \*31\*\*\*\*
- Не використовуйте пошкоджені акумулятор; його треба замінити
- Не розбирайте акумулятор
- Виключіть можливість потрапляння дощу на інструмент або акумулятор
- Дозволена температура довкілля (інструмент/зарядний пристрій/акумулятор):
  - під час зарядження 4...40°C
  - під час роботи -20...+50°C
  - під час зберігання -20...+50°C

#### ПОЯСНЕННЯ ДО УМОВНИХ ПОЗНАЧЕНЬ НА ІНСТРУМЕНТІ/АКУМУЛЯТОРІ

- ③ Перед використанням прочитайте інструкцію із застосування
- ④ При влученні у вогонь батареї вибухають, тому в жодному разі не спалюйте батареї
- ⑤ Зберігайте інструмент/зарядний пристрій/акумулятор при температурі не більшій 50°C
- ⑥ Не викидайте електроінструмент і батареї разом зі звичайним сміттям

## ВИКОРИСТАННЯ

- Зарядження акумулятора
  - ! **ознайомтеся з попередженнями і вказівками з техніки безпеки, які надаються із зарядним пристроєм**
- Зняття/установлення акумулятора ②
- Індикатор рівня заряду акумулятора ⑦
  - натисніть кнопку індикатора рівня заряду акумулятора J, щоб побачити поточний рівень заряду ⑦a
  - ! **якщо після натиснення кнопки J ⑦b починає блимати індикатор найнижчого рівня заряду акумулятора, то акумулятор розряджено**
  - ! **коли 2 рівні індикатора заряду акумулятора починають блимати після натиснення кнопки**

#### J ⑦c, акумулятор перебуває за межами допустимого діапазону робочих температур

- Комбінований перемикач для вмикання/вимикання та керування обертами з кнопкою блокування ⑧ ⑨
  - спочатку розблокуйте натисканням кнопки F
  - інструмент вмикається натисканням гачка G
  - плавно керує обертами від нуля до максимальних в залежності від сили натискання на перемикач
  - вимкніть інструмент, відпустивши гачок G
- Кнопка блокування F може бути активована ⑧
  - після активації вимикач живлення блокується і верстат стає захищеним від непередбачуваного увімкнення
- Подвійна світлодіодна лампа K ⑩
  - Подвійна світлодіодна лампа загоряється, коли перемикач G активовано
  - ! **коли світлодіоди починають блимати, активується захист акумулятора (див. нижче)**
- Захист акумулятора
  - Інструмент раптово вимикається або не вмикається, якщо
    - **навантаження занадто високі** -> приборіть навантаження і перезавантажте
    - **температура акумулятора не перебуває в допустимому діапазоні робочих температур від -20 до +50°C** --> 2 рівні індикатора заряду акумулятора починають блимати під час натискання кнопки J ⑦c; зачекайте, доки акумулятор не повернеться в допустимий діапазон робочих температур
    - **батарею майже розряджено (для захисту від глибокого розряду)** --> низький рівень заряду батареї або блимання низького рівня заряду батареї іb показано індикатором рівня заряду батареї під час натискання кнопки J; зарядіть акумулятор
    - ! **не продовжуйте роботу та не натискайте вмикач після автоматичного вимкнення інструмента; такими діями можна пошкодити акумулятор**
- Підготовка леза пилки ⑪
  - ! **виймайте акумулятор з інструмента перед виконанням будь-яких регулювань або заміною частин та приладдя!**
    - поверніть фіксатор леза C на інструменті в напрямку стрілки й утримуйте його в цьому положенні
    - вставте лезо (зубцями донизу або догори) на максимальну глибину
    - звільніть фіксатор леза пилки C
    - похитайте лезо пилки вперед-назад для перевірки правильності фіксації
- Зняття леза пилки ⑪
  - ! **виймайте акумулятор з інструмента перед виконанням будь-яких регулювань або заміною частин та приладдя!**
    - поверніть фіксатор леза C на інструменті в напрямку стрілки й утримуйте його в цьому положенні
    - витягніть лезо
    - звільніть фіксатор леза пилки C
- Використання інструменту
  - ! **надійно зафіксуйте заготовку**

- позначте лінію розпилювання на заготовці
- встановіть акумулятор на інструмент
- утримуйте інструмент одною рукою за руків'я Н, а іншою за ізольовану шийку D
- увімкніть інструмент
- спрямовуйте інструмент за позначеною лінією розпилювання
- тримайте поворотний черевик В міцно притисненим до заготовки для зменшення сил протидій та вібрацій
- Утримування і робота інструментом
  - ! під час роботи завжди тримайте інструмент за області захвату сірого кольору 12**
  - тримайте вентиляційні отвори Е незакритими
  - не тисніть на інструмент; дайте інструменту можливість працювати за вас
  - ! переконайтеся, що лезо пилки виходить із заготовки протягом усього ходу 13**
- Поворот черевика 14
  - натисніть кнопку блокування F в положення блокування, а потім вийміть акумуляторну батарею з інструмента.
  - міцно утримуйте пилку, а потім поверніть черевик В під потрібним кутом, уникаючи контакту з лезом.
  - встановіть акумулятор і підготуйтеся до пиляння

## ПОРАДИ ПО ВИКОРИСТАННЮ

- Врізне пиляння 15
  - Врізне пиляння може виконуватися у деревину та інші м'які матеріали без попереднього свердлування отвору
  - застосовуйте товсті леза пилки
  - ! виймайте акумулятор з інструмента перед виконанням будь-яких регулювань або заміною частин та приладдя!**
  - позначте потрібну лінію розпилювання на заготовці
  - нахиліть інструмент таким чином, щоб лезо пилки не торкалося заготовки
  - ввімкніть інструмент та обережно виконайте врізання працюючим лезом пилки до заготовки
  - після проходження леза крізь заготовку продовжуйте пиляння за позначеною лінією розпилювання
  - ! не робіть врізання у металеві вироби**
- Використовуйте відповідні пилки 16
- Під час різки металів регулярно змащуйте пилку маслом
- Пропил без трісок
  - наклейте декілька шарів широкої стрічки на лінію розрізу
  - завжди ріжте по протилежному (тильному) боці матеріалу
- Дивіться додаткову інформацію на сайті [www.skil.com](http://www.skil.com)

## ДОГЛЯД/ОБСЛУГОВУВАННЯ

- Цей інструмент не придатний для промислового використання
- Завжди тримайте інструмент у чистоті (особливо вентиляційні отвори Е 2))
  - ! виймайте акумулятор з інструмента перед очищенням**
- Якщо незважаючи на ретельну технологію

виготовлення і перевірки інструмент все-таки вийде з ладу, його ремонт дозволяється виконувати лише в авторизованій сервісній майстерні для електроприладів SKIL

- надішліть нерозібраний інструмент разом із доказом купівлі до свого дилера або до найближчого центру обслуговування SKIL (адреси, а також схема для обслуговування пристрою, подаються на сайті [www.skil.com](http://www.skil.com))
- Візьміть до відома, що ушкодження внаслідок перевантаження або неналежного поводження з інструментом не будуть включені в гарантію (умови гарантії SKIL див. на сайті [www.skil.com](http://www.skil.com) або довідайтеся в дилера у Вашому регіоні)

## ОХОРОНА ДОВКІЛЛЯ

- Не викидайте електроінструмент, акумулятори, аксесуари та упаковку разом зі звичайним сміттям (тільки для країн ЄС)
  - відповідно до європейської директиви 2012/19/ЄС щодо утилізації старих електричних та електронних приладів, згідно з місцевим законодавством, електроінструмент, який перебував в експлуатації, має бути утилізований окремо, безпечним для довкілля шляхом
  - символ 6 нагадає вам про це, коли виникне необхідність в утилізації
- ! перед тим як позбутися акумулятора: занлейте грубою клейкою стрічкою клеми, щоб запобігти короткому замиканню**

## ШУМ / ВІБРАЦІЯ

- Рівень звукового тиску цього інструмента, який вимірюється відповідно до EN 62841, становить **87 дБ(A)**, рівень звукової потужності **98 дБ(A)** (похибка K = 3 дБ), а вібрація (векторна сума трьох осей; похибка K = 1,5 м/с<sup>2</sup>)
  - \* різання дошки **10,58 м/с<sup>2</sup>**
  - \* різання дерев'яних балок **8,46 м/с<sup>2</sup>**
- Рівень вібрації було виміряно у відповідності зі стандартизованим випробуванням, що міститься в EN 62841; дана характеристика може використовуватися для порівняння одного інструмента з іншим, а також для попередньої оцінки впливу вібрації під час застосування даного інструмента для вказаних цілей
  - у разі використання інструмента в інших цілях або з іншими/несправними допоміжними пристосуваннями рівень впливу вібрації може значно **підвищуватися**
  - у періоди, коли інструмент вимкнений або функціонує без фактичного виконання роботи, рівень впливу вібрації може значно знижуватися
- ! захищайте себе від впливу вібрації, підтримуючи інструмент і його допоміжні пристосування в справному стані, підтримуючи руки в теплі, а також правильно організовуючи свій робочий процес**



## Ασύρματο παλινδρομικό πριόνι χωρίς ψήκτρες

3475

### ΕΙΣΑΓΩΓΗ

- Αυτό το εργαλείο προορίζεται για κοπή ξύλου, πλαστικού, μετάλλου και δομικών υλικών, καθώς και για το κλάδεμα και την κοπή δέντρων.
- Αυτό το εργαλείο δεν προορίζεται για επαγγελματική χρήση.
- Διαβάστε και φυλάξτε αυτό το εγχειρίδιο οδηγιών. ③

### ΤΕΧΝΙΚΑ ΧΑΡΑΚΤΗΡΙΣΤΙΚΑ ①

### ΣΤΟΙΧΕΙΑ ΤΟΥ ΕΡΓΑΛΕΙΟΥ ②

A	Λάμα
B	Πέλμα άξονα
C	Σφικτήρας λάμας
D	Βαρελωτή λαβή
E	Σχισμές εξαερισμού
F	Κουμπί ασφάλισης
G	Διακόπτης ενεργοποίησης/απενεργοποίησης και ελέγχου ταχύτητας
H	Λαβή
J	Κουμπί ένδειξης κατάστασης μπαταρίας
K	Διπλές λυχνίες LED

### ΑΣΦΑΛΕΙΑ

#### ΓΕΝΙΚΕΣ ΠΡΟΕΙΔΟΠΟΙΗΣΕΙΣ ΑΣΦΑΛΕΙΑΣ ΓΙΑ ΗΛΕΚΤΡΙΚΑ ΕΡΓΑΛΕΙΑ

**⚠ ΠΡΟΕΙΔΟΠΟΙΗΣΗ** Μελετήστε όλες τις προειδοποιήσεις ασφάλειας, τις οδηγίες, τις εικόνες και τις προδιαγραφές που συνοδεύουν αυτό το ηλεκτρικό εργαλείο. Εάν δεν τηρηθούν όλες οι οδηγίες που αναφέρονται παρακάτω, μπορεί να προκληθεί ηλεκτροπληξία, πυρκαγιά και/ή σοβαρός τραυματισμός.

**Φυλάξτε όλες τις προειδοποιήσεις και τις οδηγίες για μελλοντική αναφορά.**

Ο όρος «ηλεκτρικό εργαλείο» στις προειδοποιήσεις αναφέρεται στο ηλεκτρικό σας εργαλείο, το οποίο λειτουργεί είτε με σύνδεση σε πρίζα (ενσύρματα) είτε με συστοιχία μπαταριών (ασύρματα).

#### 1) ΑΣΦΑΛΕΙΑ ΣΤΟ ΧΩΡΟ ΕΡΓΑΣΙΑΣ

- Διατηρείτε το χώρο εργασίας καθαρό και καλά φωτισμένο.** Οι ακατάστατοι χώροι και οι χώροι με κακό φωτισμό ενισχύουν την πιθανότητα ατυχημάτων.
- Μην χρησιμοποιείτε ηλεκτρικά εργαλεία σε εκρηκτική ατμόσφαιρα, για παράδειγμα, παρουσία εύφλεκτων υγρών, αερίων ή σκόνης.** Τα ηλεκτρικά εργαλεία δημιουργούν σπινθήρες που μπορεί να αναφλέξουν τη σκόνη ή τις αναθυμιάσεις.
- Διατηρείτε τα παιδιά και τους παρευρισκόμενους μακριά, όταν χρησιμοποιείτε το ηλεκτρικό εργαλείο.** Εάν κάτι αποσπάσει την προσοχή σας,

μπορεί να χάσετε τον έλεγχο.

#### 2) ΗΛΕΚΤΡΙΚΗ ΑΣΦΑΛΕΙΑ

- Το φως του ηλεκτρικού εργαλείου πρέπει να ταιριάζει στην πρίζα. Μην τροποποιήσετε ποτέ και με κανέναν τρόπο το φως. Μη χρησιμοποιείτε κανενός είδους φως προσαρμογών με γειωμένα ηλεκτρικά εργαλεία.** Τα μη τροποποιημένα φως και οι κατάλληλες πρίζες μειώνουν τον κίνδυνο ηλεκτροπληξίας.
  - Αποφεύγετε την επαφή με γειωμένες επιφάνειες, όπως σωλήνες, θερμομαντικά σώματα, εστίες και ψυγεία.** Υπάρχει αυξημένος κίνδυνος ηλεκτροπληξίας όταν το σώμα σας είναι γειωμένο.
  - Μην εκθέτετε τα ηλεκτρικά εργαλεία σε βροχή ή υγρασία.** Εάν εισχωρήσει νερό στο ηλεκτρικό εργαλείο θα αυξηθεί ο κίνδυνος ηλεκτροπληξίας.
  - Μην κακομεταχειρίζεστε το καλώδιο. Μη χρησιμοποιείτε ποτέ το καλώδιο για να μεταφέρετε, να τραβήξετε ή να αποσυνδέσετε το ηλεκτρικό εργαλείο από την πρίζα. Διατηρείτε το καλώδιο μακριά από θερμότητα, λάδια, αιχμηρές γωνίες ή κινούμενα εξαρτήματα.** Τα κατεστραμμένα ή μπλεγμένα καλώδια αυξάνουν τον κίνδυνο ηλεκτροπληξίας.
  - Όταν χρησιμοποιείτε ένα ηλεκτρικό εργαλείο σε εξωτερικό χώρο, χρησιμοποιείτε καλώδιο προέκτασης κατάλληλο για χρήση σε εξωτερικούς χώρους.** Τα καλώδια που είναι κατάλληλα για εξωτερικούς χώρους περιορίζουν τον κίνδυνο ηλεκτροπληξίας.
  - Εφόσον δεν μπορείτε να αποφύγετε τη χρήση του ηλεκτρικού εργαλείου σε περιοχή με υγρασία, χρησιμοποιείτε τροφοδοσία με διάταξη προστασίας ρεύματος διαρροής (RCD). Η χρήση διάταξης RCD μειώνει τον κίνδυνο ηλεκτροπληξίας.**
- #### 3) ΠΡΟΣΩΠΙΚΗ ΑΣΦΑΛΕΙΑ
- Να βρίσκεστε πάντα σε εγρήγορση, να προσέχετε τι κάνετε και να εφαρμόζετε κοινή λογική όταν χρησιμοποιείτε ηλεκτρικά εργαλεία. Μην χρησιμοποιείτε κανένα ηλεκτρικό εργαλείο όταν είστε κουρασμένοι ή υπό την επήρεια ναρκωτικών, αλκοόλ ή φαρμάκων.** Όταν χρησιμοποιείτε ηλεκτρικά εργαλεία, μια στιγμή απροσεξίας μπορεί να προκαλέσει σοβαρό τραυματισμό.
  - Χρησιμοποιείτε μέσα ατομικής προστασίας. Φοράτε πάντα προστατευτικά γυαλιά.** Τα μέσα ατομικής προστασίας, όπως η μάσκα σκόνης, τα αντιολισθητικά παπούτσια, το κράνος ή η ωτοπροστασία, που χρησιμοποιούνται στις κατάλληλες περιπτώσεις, μειώνουν τον κίνδυνο τραυματισμών.
  - Λαμβάνετε μέτρα για να μην ενεργοποιηθεί κατά λάθος το ηλεκτρικό εργαλείο. Βεβαιώστε ότι ο διακόπτης βρίσκεται στη θέση απενεργοποίησης (OFF) προτού να συνδέσετε το ηλεκτρικό εργαλείο στο ρεύμα και/ή στη συστοιχία μπαταριών, ή όταν σκλώνετε ή μεταφέρετε το εργαλείο.** Μην μεταφέρετε το ηλεκτρικό εργαλείο με το δάκτυλο στο διακόπτη και μην συνδέετε το ηλεκτρικό εργαλείο στην πρίζα με ανοικτό το διακόπτη, διότι ενέχει κίνδυνο ατυχήματος.
  - Προτού ενεργοποιήσετε το ηλεκτρικό εργαλείο, αφαιρείτε οποιοδήποτε εργαλείο ή κλειδί**



- ρύθμισης.** Εάν το εργαλείο ή το κλειδί ρύθμισης παραμείνει επάνω στο περιστρεφόμενο μέρος του ηλεκτρικού εργαλείου, μπορεί να προκληθεί τραυματισμός.
- e) **Μην τοντώνετε υπερβολικά για να πραγματοποιήσετε την εργασία.** Πατάτε πάντα σταθερά και διατηρείτε την ισορροπία σας. Έτσι θα ελέγχετε καλύτερα το ηλεκτρικό εργαλείο σε περίπτωση απροσδόκητων καταστάσεων.
- f) **Φοράτε κατάλληλα ρούχα. Μην φοράτε φαρδιά ρούχα ή κοσμήματα. Διατηρείτε τα μαλλιά και τα ρούχα σας μακριά από κινούμενα μέρη.** Τα φαρδιά ρούχα, τα κοσμήματα ή τα μακριά μαλλιά ενδέχεται να εμπλακούν σε κινούμενα μέρη.
- g) **Εάν υπάρχει δυνατότητα σύνδεσης συσκευών απομάκρυνσης και συλλογής της σκόνης, βεβαιωθείτε ότι αυτές οι συσκευές έχουν συνδεθεί και χρησιμοποιούνται σωστά.** Αυτές οι συσκευές μπορούν να περιορίσουν τους κίνδυνους που σχετίζονται με τη σκόνη.
- h) **Ακόμα κι εάν χρησιμοποιείτε συχνά ηλεκτρικά εργαλεία, μην εφησυχάζετε και μην παραβλέπετε τις βασικές αρχές ασφαλείας.** Μια στιγμή απροσεξίας μπορεί να οδηγήσει σε σοβαρό τραυματισμό.
- 4) ΧΡΗΣΗ ΚΑΙ ΦΡΟΝΤΙΔΑ ΤΟΥ ΗΛΕΚΤΡΙΚΟΥ ΕΡΓΑΛΕΙΟΥ**
- a) **Μην ζορίζετε το ηλεκτρικό εργαλείο.** Χρησιμοποιείτε το κατάλληλο ηλεκτρικό εργαλείο για την εκάστοτε εργασία. Η εργασία θα πραγματοποιηθεί καλύτερα και ασφαλέστερα, εφόσον χρησιμοποιηθεί το κατάλληλο ηλεκτρικό εργαλείο στην ταχύτητα για την οποία έχει σχεδιαστεί.
- b) **Μην χρησιμοποιήσετε το ηλεκτρικό εργαλείο εάν δεν μπορείτε να το ενεργοποιήσετε και να το απενεργοποιήσετε από τον διακόπτη.** Οποιοδήποτε ηλεκτρικό εργαλείο δεν επιδέχεται έλεγχο από το διακόπτη είναι επικίνδυνο και απαιτεί επισκευή.
- c) **Αποσυνδέετε το φις από την πηγή ρεύματος και/ή αφαιρείτε τη συστοιχία μπαταριών, εφόσον είναι αποσπώμενη, από το ηλεκτρικό εργαλείο προτού να κάνετε οποιαδήποτε ρύθμιση, αλλάξετε παρελκόμενα ή το αποθηκεύσετε.** Χάρη σε τέτοια προληπτικά μέτρα περιορίζεται ο κίνδυνος να ενεργοποιηθεί κατά λάθος το ηλεκτρικό εργαλείο.
- d) **Αποθηκεύετε τα ηλεκτρικά εργαλεία που δεν χρησιμοποιείτε σε μέρος όπου δεν έχουν πρόσβαση τα παιδιά και μην αφήνετε άτομα που δεν είναι εξοικειωμένα με το ηλεκτρικό εργαλείο ή αυτές τις οδηγίες να το χρησιμοποιήσουν.** Τα ηλεκτρικά εργαλεία είναι επικίνδυνα στα χέρια ατόμων που δεν έχουν εκπαιδευτεί στη χρήση τους.
- e) **Συντηρείτε τα ηλεκτρικά εργαλεία και τα παρελκόμενα.** Ελέγχετε για κακή ευθυγράμμιση ή εμπλοκή των κινούμενων μερών, για σπασμένα εξαρτήματα και για οποιαδήποτε άλλη κατάσταση που μπορεί να επηρεάσει τη λειτουργία του ηλεκτρικού εργαλείου. Εάν έχει υποστεί ζημιά το ηλεκτρικό εργαλείο, επισκευάστε το προτού να το χρησιμοποιήσετε. Πολλά ατυχήματα οφείλονται σε πλημμελώς συντηρημένα ηλεκτρικά εργαλεία.
- f) **Διατηρείτε τα εργαλεία κοπής αιχμηρά και καθαρά.** Τα εργαλεία κοπής που έχουν συντηρηθεί σωστά και

- διαθέτουν αιχμηρές κόψεις είναι λιγότερο πιθανό να μπλοκάρουν, ενώ ο έλεγχός τους είναι ευκολότερος.
- g) **Χρησιμοποιείτε το ηλεκτρικό εργαλείο, τα παρελκόμενα, τις μύτες, κτλ., σύμφωνα με αυτές τις οδηγίες, λαμβάνοντας υπόψη τις συνθήκες εργασίας και την προς εκτέλεση εργασία.** Η χρήση ενός ηλεκτρικού εργαλείου για λειτουργίες διαφορετικές από αυτές για τις οποίες προορίζεται μπορεί να οδηγήσει σε επικίνδυνες καταστάσεις.
- h) **Διατηρείτε τις λαβές και τις επιφάνειες συγκράτησης του εργαλείου στεγνές και καθαρές, χωρίς λάδια και γράσα.** Εάν γλιστρούν οι λαβές και οι επιφάνειες συγκράτησης δε θα μπορέσετε να χειριστείτε με ασφάλεια το εργαλείο, ούτε θα μπορέσετε να το ελέγξετε σε περίπτωση που προκύψει κάποια απροσδόκητη κατάσταση.
- 5) ΧΡΗΣΗ ΚΑΙ ΦΡΟΝΤΙΔΑ ΗΛΕΚΤΡΙΚΩΝ ΕΡΓΑΛΕΙΩΝ ΜΠΑΤΑΡΙΑΣ**
- a) **Επαναφορτίζετε το ηλεκτρικό εργαλείο μόνο με το φορτιστή που έχει καθορίσει ο κατασκευαστής.** Οι φορτιστές που είναι κατάλληλοι για έναν συγκεκριμένο τύπο συστοιχίας μπαταριών μπορεί να προκαλέσουν πυρκαγιά εάν χρησιμοποιηθούν για κάποιον άλλον τύπο.
- b) **Χρησιμοποιείτε το ηλεκτρικό εργαλείο μόνο με τη συγκεκριμένη συστοιχία μπαταριών που προορίζεται για αυτό.** Εάν χρησιμοποιηθεί οποιαδήποτε άλλη συστοιχία μπαταριών, μπορεί να προκληθεί τραυματισμός και πυρκαγιά.
- c) **Όταν η συστοιχία μπαταριών δεν χρησιμοποιείται, φυλάσσετε την μακριά από μεταλλικά αντικείμενα, όπως, συνδετήρες, κέρματα, κλειδιά, καρφιά, βίδες ή άλλα μικρά μεταλλικά αντικείμενα, τα οποία μπορεί να δημιουργήσουν σύνδεση μεταξύ των ακροδεκτών.** Το βραχυκύκλωμα των ακροδεκτών της συστοιχίας μπαταριών μπορεί να προκαλέσει εγκαύματα ή πυρκαγιά.
- d) **Σε συνθήκες κακής χρήσης, μπορεί να διαρρεύσει υγρό από τη συστοιχία μπαταριών. Αποφύγετε την επαφή με αυτό. Σε περίπτωση τυχαίας επαφής, ξεπλύνετε καλά με νερό. Εάν το υγρό έρθει σε επαφή με τα μάτια, απευθυνθείτε επιπρόσθετα σε γιατρό.** Το υγρό που διαρρέει από τη συστοιχία μπαταριών μπορεί να προκαλέσει ερεθισμό ή εγκαύματα.
- e) **Μην χρησιμοποιείτε τη συστοιχία μπαταριών ή το εργαλείο εάν έχουν υποστεί ζημιά ή έχουν τροποποιηθεί.** Οι συστοιχίες μπαταριών που έχουν υποστεί ζημιά ή έχουν τροποποιηθεί μπορεί να έχουν απρόβλεπτη συμπεριφορά και να προκαλέσουν πυρκαγιά, έκρηξη ή τραυματισμό.
- f) **Η συστοιχία μπαταριών και το ηλεκτρικό εργαλείο δεν πρέπει να εκτίθενται σε φωτιά ή υπερβολικά υψηλές θερμοκρασίες.** Η έκθεση σε φωτιά ή θερμοκρασία πάνω από 130 °C μπορεί να προκαλέσει έκρηξη.
- g) **Θρηίτε όλες τις οδηγίες φόρτισης και μη φορτίζετε τη συστοιχία μπαταριών ή το ηλεκτρικό εργαλείο εκτός του εύρους θερμοκρασίας που καθορίζεται στις οδηγίες.** Εάν η φόρτιση δε γίνει σωστά ή πραγματοποιηθεί σε θερμοκρασία εκτός του καθορισμένου εύρους, η συστοιχία μπαταριών μπορεί

να υποστεί ζημιά και να αυξηθεί ο κίνδυνος πυρκαγιάς.

#### 6) ΣΕΡΒΙΣ

- a) Το ηλεκτρικό εργαλείο πρέπει να επισκευάζεται μόνο από εξειδικευμένο επαγγελματία, χρησιμοποιώντας μόνο πανομοίους ανταλλακτικά. Έτσι, το ηλεκτρικό σας εργαλείο θα παραμείνει ασφαλές.
- b) Μην επιχειρήσετε ποτέ να επισκευάσετε συστοιχία μπαταριών που έχει υποστεί ζημιά. Η συστοιχία μπαταριών πρέπει να επισκευάζεται μόνο από τον κατασκευαστή ή από εξουσιοδοτημένα κέντρα σέρβις.

#### ΟΔΗΓΙΕΣ ΑΣΦΑΛΕΙΑΣ ΓΙΑ ΠΑΛΙΝΔΡΟΜΙΚΑ ΠΡΙΟΝΙΑ ΧΩΡΙΣ ΨΗΚΤΡΕΣ

- Κρατάτε το ηλεκτρικό εργαλείο από τις μονωμένες επιφάνειες όταν υπάρχει κίνδυνος το κοπτικό εξάρτημα να έρθει σε επαφή κρυφά ηλεκτροφόρα καλώδια (η επαφή με ηλεκτροφόρο καλώδιο μπορεί να θέσει τα μεταλλικά μέρη του ηλεκτρικού εργαλείου υπό τάση και να προκαλέσει ηλεκτροπληξία στο χειριστή)
- Χρησιμοποιείτε σφικτήρες ή άλλο πρακτικό μέσο για να στερεώνετε και να υποστηρίζετε το τεμάχιο επεξεργασίας σε ευσταθή πλατφόρμα (εάν κρατάτε το τεμάχιο επεξεργασίας με το χέρι ή κόντρα στο σώμα σας, αυτό δεν σταθεροποιείται και υπάρχει κίνδυνος απώλειας ελέγχου)

#### ΠΑΡΕΛΚΟΜΕΝΑ

- Η SKIL εγγυάται την απρόσκοπτη λειτουργία του ηλεκτρικού εργαλείου μόνο εφόσον χρησιμοποιούνται γνήσια παρελκόμενα
- Χρησιμοποιείτε μόνο παρελκόμενα των οποίων η επιτρεπόμενη ταχύτητα ισούται τουλάχιστον με τη μέγιστη ταχύτητα χωρίς φορτίο του ηλεκτρικού εργαλείου

#### ΠΡΙΝ ΑΠΟ ΤΗ ΧΡΗΣΗ

- Αποφεύγετε ζημιές από βίδες, καρφιά και άλλα στοιχεία που ενδέχεται να υπάρχουν στο τεμάχιο επεξεργασίας, αφαιρώντας τα προτού ξεκινήσετε την εργασία
- Χρησιμοποιείτε κατάλληλες συσκευές ανίχνευσης για να εντοπίσετε κρυφές γραμμές ρεύματος, αερίου ή νερού ή επικοινωνήστε με τις τοπικές επιχειρήσεις κοινής ωφελείας για βοήθεια (η επαφή με καλώδια ρεύματος μπορεί να οδηγήσει σε πυρκαγιά ή ηλεκτροπληξία, ενώ οι ζημιές σε αγωγούς αερίου μπορεί να οδηγήσουν σε έκρηξη, και η διάτρηση ενός σωλήνα νερού θα προκαλέσει υλικές ζημιές ή ηλεκτροπληξία)

#### ΠΡΟΣΩΠΙΚΗ ΑΣΦΑΛΕΙΑ

- Αυτό το εργαλείο δεν πρέπει να χρησιμοποιείται από άτομα κάτω των 16 ετών
- Μην κατεργάζεστε υλικά που περιέχουν αμιάντο (ο αμιάντος θεωρείται καρκινογόνος)
- Η σκόνη από υλικά, όπως βαφές που περιέχουν μόλυβδο, ορισμένα είδη ξύλου, ορυκτά και μέταλλα μπορεί να είναι επιβλαβή (η επαφή ή η εισπνοή της σκόνης μπορεί να προκαλέσει αλλεργικές αντιδράσεις ή/και αναπνευστικές ασθένειες στο χειριστή ή σε παριστάμενους). Φοράτε μάσκα προστασίας από τη σκόνη και χρησιμοποιείτε συσκευή αναρρόφησης σκόνης, εφόσον επιδέχεται σύνδεση
- Ορισμένα είδη σκόνης ταξινομούνται ως καρκινογόνα (όπως σκόνη από δρυ ή οξιά) ιδιαίτερα σε συνδυασμό

με πρόσθετα συντήρησης ξύλου. Φοράτε μάσκα προστασίας από τη σκόνη και χρησιμοποιείτε συσκευή αναρρόφησης σκόνης, εφόσον επιδέχεται σύνδεση

- Ακολουθείτε τις σχετικές με σκόνη εθνικές διατάξεις για τα υλικά που θέλετε να χρησιμοποιήσετε
- Διατηρείτε τα χέρια σας μακριά από την περιοχή κοπής και τη λάμα. Διατηρείτε το δεύτερο χέρι σας στη βαρελωτή λαβή D ② (όταν κρατάτε και με τα δύο χέρια το πριόνι, δεν υπάρχει κίνδυνος να κοπείτε με τη λάμα στα χέρια)
- Μην βάζετε τα χέρια σας κάτω από το τεμάχιο επεξεργασίας (η απόσταση της λάμας από το χέρι σας δεν είναι ορατή)
- Ποτέ μην κρατάτε το τεμάχιο επεξεργασίας στα χέρια σας ή πάνω από τα πόδια σας ενώ κόβετε (είναι σημαντικό να υποστηρίξετε σωστά το τεμάχιο επεξεργασίας, ώστε να ελαχιστοποιηθεί η έκθεσή του σώματος, το μπλοκάρισμα της λάμας ή η απώλεια ελέγχου)
- Μη χρησιμοποιείτε στομωμένες ή φαρμένες λάμες (οι λυγισμένες λάμες μπορεί να σπασούν εύκολα ή να προκαλέσουν αντλακτισή)
- Χρησιμοποιείτε προστατευτικά γάντια όταν αφαιρείτε τη λάμα από το ηλεκτρικό εργαλείο (η πριονολάμα ενδέχεται να καίει μετά από παρατεταμένη χρήση)
- Να φοράτε προστατευτικά γυαλιά και προστατευτικά μέσα ακοής

#### ΜΠΑΤΑΡΙΕΣ

- Η παρεχόμενη συστοιχία μπαταριών είναι μερικώς φορτισμένη (για να διασφαλιστεί η μέγιστη ισχύς της συστοιχίας μπαταριών, φορτίστε την πλήρως με τον φορτιστή της πριν από τη χρήση του ηλεκτρικού εργαλείου σας για πρώτη φορά)
- Χρησιμοποιείτε μόνο τις ακόλουθες συστοιχίες μπαταριών και τους φορτιστές
  - Συστοιχία μπαταριών SKIL: BR1\*31\*\*\*\*
  - Φορτιστής SKIL: CR1\*31\*\*\*\*
- Μην χρησιμοποιείτε τη συστοιχία μπαταριών όταν έχει υποστεί βλάβη. Πρέπει να την αντικαθιστάτε
- Μην αποσυναρμολογείτε τη συστοιχία μπαταριών
- Μην εκθέτετε το εργαλείο / τη συστοιχία μπαταριών στη βροχή
- Επιτρεπόμενη θερμοκρασία περιβάλλοντος (εργαλείο/φορτιστής/συστοιχία μπαταριών):
  - κατά τη διάρκεια της φόρτισης 4...40°C
  - κατά τη διάρκεια της λειτουργίας -20...+50°C
  - κατά τη διάρκεια της αποθήκευσης -20...+50°C

#### ΕΠΕΞΗΓΗΣΗ ΣΥΜΒΟΛΩΝ ΣΤΟ ΕΡΓΑΛΕΙΟ / ΤΗΝ ΜΠΑΤΑΡΙΑ

- ③ Διαβάστε το εγχειρίδιο οδηγιών πριν από τη χρήση
- ④ Οι συστοιχίες μπαταριών εκρήγνυνται εάν απορριφθούν στη φωτιά, συνεπώς, μην καίτε τις μπαταρίες για κανένα λόγο
- ⑤ Αποθηκεύστε το εργαλείο / το φορτιστή / τη συστοιχία μπαταριών σε μέρος όπου η θερμοκρασία δεν θα ξεπεράσει τους 50°C
- ⑥ Μην απορρίπτετε τα ηλεκτρικά εργαλεία και τις συστοιχίες μπαταριών στα οικιακά απορρίμματα

#### ΧΡΗΣΗ

- Φόρτιση της συστοιχία μπαταριών  
**! διαβάστε τις προειδοποιήσεις ασφαλείας και τις**

- **οδηγίες που παρέχονται με το φορτιστή**
- Απομάκρυνση/τοποθέτηση της συστοιχία μπαταριών ②
- Ένδειξη κατάστασης μπαταρίας ⑦
  - πιέστε το κουμπί ένδειξης κατάστασης μπαταρίας J για να εμφανίσετε την τρέχουσα κατάσταση της μπαταρίας ⑦a
  - ! **εάν αρχίσει να αναβοσβήνει το κατώτατο επίπεδο της ένδειξης κατάστασης μπαταρίας μετά το πάτημα του κουμπιού J ⑦b, τότε η μπαταρία είναι άδεια**
  - ! **εάν αρχίσουν να αναβοσβήνουν 2 επίπεδα της ένδειξης κατάστασης μπαταρίας μετά το πάτημα του κουμπιού J ⑦c, τότε η μπαταρία δε βρίσκεται εντός του επιτρεπόμενου εύρους θερμοκρασίας λειτουργίας**
- Συνδυασμένος διακόπτης για ενεργοποίηση/ απενεργοποίηση και έλεγχο ταχύτητας με κουμπί ασφάλισης ⑧ ⑨
  - πρώτα απασφαλίστε, πατώντας το κουμπί F
  - ενεργοποιήστε το ηλεκτρικό εργαλείο τραβώντας τη σκανδάλη G
  - ρυθμίστε αβαθμίδωτα την ταχύτητα από το μηδέν έως τη μέγιστη, πιέζοντας ανάλογα περισσότερο ή λιγότερο τη σκανδάλη
  - απενεργοποιήστε, αποδεσμεύοντας τη σκανδάλη G
- Το κουμπί ασφάλισης F μπορεί να ενεργοποιηθεί ⑩
  - εάν ενεργοποιηθεί, ο διακόπτης ενεργοποίησης / απενεργοποίησης είναι μπλοκαρισμένος και το μηχανήμα έχει ασφαλίσει έναντι ακούσιας ενεργοποίησης
- Διπλές λυχνίες LED K ⑩  
Οι διπλές λυχνίες LED ανάβουν αυτόματα κατά την ενεργοποίηση του διακόπτη G
  - ! **όταν οι λυχνίες LED αρχίζουν να αναβοσβήνουν, ενεργοποιείται η προστασία μπαταρίας (βλ. παρακάτω)**
- Προστασία μπαταρίας  
Το εργαλείο απενεργοποιείται ξαφνικά ή δεν επιδέχεται ενεργοποίηση όταν
  - **το φορτίο είναι υπερβολικά υψηλό** --> αφαιρέστε φορτίο και επανεκκινήστε
  - **η θερμοκρασία της μπαταρίας δεν βρίσκεται εντός του επιτρεπόμενου εύρους θερμοκρασίας λειτουργίας -20 έως +50°C** --> 2 επίπεδα της ένδειξης στάθμης μπαταρίας αρχίζουν να αναβοσβήνουν με το πάτημα του κουμπιού J ⑦c. Περιμένετε ώσπου η μπαταρία να επανέλθει εντός του επιτρεπόμενου εύρους θερμοκρασίας λειτουργίας
  - **η μπαταρία έχει σχεδόν αδειάσει (για προστασία από βαθιά εκφόρτιση)** --> ανάβει ή αναβοσβήνει χαμηλή στάθμη μπαταρίας ub δίπλα στην ένδειξη κατάστασης μπαταρίας με το πάτημα του κουμπιού J. Φορτίστε την μπαταρία
  - ! **μην συνεχίσετε να πατάτε το διακόπτη ενεργοποίησης/απενεργοποίησης μετά την αυτόματη απενεργοποίηση του εργαλείου, διότι μπορεί να προκληθεί βλάβη στη συστοιχία μπαταριών**
- Τοποθέτηση της πριονόλαμας ⑪
  - ! **Αφαιρείτε την μπαταρία από το ηλεκτρικό εργαλείο προτού να κάνετε οποιαδήποτε ρύθμιση ή αλλάξετε παρελκόμενα**
  - περιστρέψτε το σφιγκτήρα λάμας C προς την

- κατεύθυνση του βέλους επάνω στο ηλεκτρικό εργαλείο και διατηρήστε τον σε αυτήν τη θέση.
- τοποθετήστε τη λάμα (με τις οδοντώσεις στραμμένες προς τα κάτω ή προς τα πάνω) μέχρι τέρμα
- αποδεσμεύστε το σφιγκτήρα λάμας C
- σπρώξτε τη λάμα προς τα μέσα και τραβήξτε την προς τα έξω για να ελέγξετε αν ασφάλισε σωστά
- Αφαίρεση της πριονόλαμας ⑪
  - ! **Αφαιρείτε την μπαταρία από το ηλεκτρικό εργαλείο προτού να κάνετε οποιαδήποτε ρύθμιση ή αλλάξετε παρελκόμενα**
  - περιστρέψτε το σφιγκτήρα λάμας C προς την κατεύθυνση του βέλους επάνω στο ηλεκτρικό εργαλείο και διατηρήστε τον σε αυτήν τη θέση.
  - τραβήξτε τη λάμα προς τα έξω
  - αποδεσμεύστε το σφιγκτήρα λάμας C
- Χειρισμός του εργαλείου
  - ! **σταθεροποιήστε καλά το τεμάχιο επεξεργασίας**
  - χαράξτε τη γραμμή κοπής πάνω στο τεμάχιο επεξεργασίας
  - τοποθετήστε την μπαταρία στο ηλεκτρικό εργαλείο
  - κρατήστε το εργαλείο με το ένα χέρι στη λαβή H και το άλλο χέρι στη μονωμένη βαρελωτή λαβή D
  - ενεργοποιήστε το εργαλείο
  - οδηγήστε το εργαλείο κατά μήκος της γραμμής κοπής που έχετε χαράξει
  - διατηρείτε το πέλαμα άξονα B γερά επάνω στο τεμάχιο επεξεργασίας, ώστε να ελαχιστοποιηθεί η αντίδραση και η δόνηση
- Πώς να κρατάτε και να οδηγείτε το εργαλείο
  - ! **ενώ εργάζεστε, κρατάτε πάντα το εργαλείο από τη γκρι επιφάνεια / τις γκρι επιφάνειες λαβής ⑫**
  - διατηρείτε ελεύθερες τις σχισμές εξαερισμού E
  - μην ασκείτε υπέρμετρη πίεση στο εργαλείο – αφήστε το εργαλείο να κάνει για σας τη δουλειά
  - ! **βεβαιωθείτε ότι η πριονόλαμα προεξέχει από το τεμάχιο επεξεργασίας για όλη τη διαδρομή της ⑬**
- Περιστρέφοντας το πέλαμα ⑭
  - πιέστε το κουμπί ασφάλισης F στην κλειδωμένη θέση και, στη συνέχεια, αφαιρέστε τη συστοιχία μπαταριών από το ηλεκτρικό εργαλείο.
  - Κρατήστε γερά το πριόνι και, στη συνέχεια, περιστρέψτε το πέλαμα B στην επιθυμητή γωνία, αποφεύγοντας την επαφή με τη λάμα.
  - Τοποθετήστε εκ νέου τη συστοιχία μπαταριών και ετοιμαστείτε για την κοπή

## ΣΥΜΒΟΥΛΕΣ ΧΡΗΣΗΣ

- Κοπή βύθισης ⑬
  - Κοπή βύθισης μπορεί να γίνει σε ξύλο ή άλλα μαλακά υλικά χωρίς την προ-διάνοιξη σπής
  - χρησιμοποιήστε χοντρή πριονόλαμα
  - ! **Αφαιρείτε την μπαταρία από το ηλεκτρικό εργαλείο προτού να κάνετε οποιαδήποτε ρύθμιση ή αλλάξετε παρελκόμενα**
  - χαράξτε τη γραμμή κοπής που επιθυμείτε πάνω στο τεμάχιο επεξεργασίας
  - προσδώστε κλίση στο εργαλείο κατά τέτοιον τρόπο, ώστε η λάμα να μην αγγίζει το τεμάχιο επεξεργασίας
  - ενεργοποιήστε το εργαλείο και βυθίστε προσεκτικά την κινούμενη πριονόλαμα στο τεμάχιο επεξεργασίας

- αφότου η λάμα διαπεράσει το τεμάχιο επεξεργασίας, συνεχίστε το πριόνισμα κατά μήκος της γραμμής κοπής που έχετε χαράξει

**! μην επιχειρείτε κοπές βύθισης σε μεταλλικά υλικά**

- Χρησιμοποιείτε τις κατάλληλες πριονολάμες <sup>(16)</sup>
- Όταν κόβετε μέταλλα, λιπαίνετε τακτικά την πριονολάμα με λάδι
- Κοπή χωρίς ακίδες
  - καλύψτε τη γραμμική κοπής με περισσότερα στρώματα φαρδιάς κολλητικής ταινίας πριν κάνετε την κοπή
  - τοποθετείτε πάντοτε την καλή πλευρά του τεμαχίου επεξεργασίας προς τα κάτω
- Για περισσότερες πληροφορίες, βλ. [www.skil.com](http://www.skil.com)

## ΣΥΝΤΗΡΗΣΗ/ΣΕΡΒΙΣ

- Αυτό το εργαλείο δεν προορίζεται για επαγγελματική χρήση
- Διατηρείτε πάντα καθαρό το εργαλείο (ειδικά τις σχισμές εξερισμού E <sup>(2)</sup>)
- **! αφαιρείτε τη συστοιχία μπαταριών από το εργαλείο πριν από τον καθαρισμό**
- Αν παρά την επιμελημένη κατασκευή και τις διαδικασίες δοκιμής το εργαλείο παρουσιάσει βλάβη, τότε η επισκευή του πρέπει να ανατεθεί σ' ένα κέντρο εξυπηρέτησης κατόπιν πωλήσεων για ηλεκτρικά εργαλεία SKIL
  - στείλτε το εργαλείο χωρίς να το αποσυναρμολογήσετε μαζί με την απόδειξη αγοράς στο κατάστημα από το οποίο το αγοράσατε ή στον πλησιέστερο σταθμό τεχνικής εξυπηρέτησης της SKIL (θα βρείτε τις διευθύνσεις και το διάγραμμα συντήρησης του εργαλείου στην ιστοσελίδα [www.skil.com](http://www.skil.com))
- Λαμβάνετε υπόψη ότι οι βλάβες που προκαλούνται λόγω υπερφόρτωσης ή ακατάλληλης χρήσης του ηλεκτρικού εργαλείου δεν καλύπτονται από την εγγύηση (για τους όρους της εγγύησης της SKIL βλ. [www.skil.com](http://www.skil.com) ή απευθυνθείτε στο πλησιέστερο κατάστημα πώλησης)

## ΠΕΡΙΒΑΛΛΟΝ

- Μην απορρίπτετε ηλεκτρικά εργαλεία, μπαταρίες, παρελκόμενα και συσκευασίες στα οικιακά απορρίμματα (μόνο για τις χώρες της ΕΕ)
  - σύμφωνα με την ευρωπαϊκή οδηγία 2012/19/ΕΚ, σχετικά με τα απόβλητα ηλεκτρικού και ηλεκτρονικού εξοπλισμού, και την ενσωμάτωσή της στο εθνικό δίκαιο, τα άχρηστα ηλεκτρικά εργαλεία πρέπει να συλλέγονται ξεχωριστά και να επιστρέφονται σε εγκατάσταση αποβλήτων για ανακύκλωση με τρόπο φιλικό προς το περιβάλλον
  - το σύμβολο <sup>(6)</sup> θα σας το θυμίσει αυτό όταν έλθει η ώρα της απόρριψης
- **! πριν από την απόρριψη, καλύψτε τους ακροδέκτες της συστοιχίας μπαταριών με μονωτική ταινία για να αποφύγετε βραχυκύκλωμα**

## ΘΟΡΥΒΟΣ/ΔΟΝΗΣΗ

- Βάσει της μέτρησης σύμφωνα με το πρότυπο EN 62841, η στάθμη ηχητικής πίεσης αυτού του εργαλείου

είναι **87 dB(A)** και η στάθμη ηχητικής ισχύος **98 dB(A)** (αβεβαιότητα K = **3 dB**), και η δόνηση \* (τρίαξονικό διανυσματικό άθροισμα, αβεβαιότητα K = 1,5 m/s<sup>2</sup>)

\* κοπή σανίδων **10,58 m/s<sup>2</sup>**

\* κοπή ξύλινων δοκών **8,46 m/s<sup>2</sup>**

- Το επίπεδο μετάδοσης δόνησης έχει μετρηθεί σύμφωνα με τυποποιημένη δοκιμή κατά το πρότυπο EN 62841. Μπορεί να χρησιμοποιηθεί για τη σύγκριση ενός εργαλείου με ένα άλλο, καθώς και ως προκαταρκτική αξιολόγηση της έκθεσης σε δόνηση όταν το εργαλείο χρησιμοποιείται για τις αναφερόμενες εφαρμογές
  - η χρήση του εργαλείου για διαφορετικές εφαρμογές, με διαφορετικά ή πλημμελώς συντηρημένα παρελκόμενα μπορεί να **αυξήσει** σημαντικά το επίπεδο έκθεσης
  - όταν το εργαλείο είναι απενεργοποιημένο ή όταν είναι ενεργοποιημένο αλλά δεν εκτελεί την εργασία, το επίπεδο έκθεσης μπορεί να μειωθεί σημαντικά
- **! προστατευτείτε από τις συνέπειες της δόνησης, συντηρώντας σωστά το ηλεκτρικό εργαλείο και τα παρελκόμενά του, διατηρώντας τα χέρια σας ζεστά και οργανώνοντας τον τρόπο εργασίας σας**

RO

**Fierăstrău pendular fără perii și fără fir**

**3475**

## INTRODUCERE

- Această sculă este destinată tăierii lemnului, plasticului, metalului și materialelor de construcție, precum și pentru tăierea și tunderea copacilor.
- Această sculă nu este destinată utilizării profesionale.
- Citiți și păstrați acest manual de instrucțiuni.<sup>(3)</sup>

## DATE TEHNICE <sup>(1)</sup>

### ELEMENTELE SCULEI <sup>(2)</sup>

- A Lamă
- B Cap pivotant
- C Portsculă
- D Mâner orizontal
- E Fantele de ventilație
- F Buton de blocare
- G Întrepător deschis/închis și controlul vitezei
- H Mâner
- J Buton indicator al nivelului bateriei
- K Lumini LED duale

## SIGURANȚA

### INSTRUCȚIUNI GENERALE DE SIGURANȚĂ PENTRU SCULE ELECTRICE

**AVERTISMENT** Citiți toate instrucțiunile, avertizările de siguranță, ilustrațiile și specificațiile livrate împreună cu această sculă electrică. Nerespectarea tuturor instrucțiunilor enumerate mai jos se poate solda cu șoc electric, incendiu și/sau vătămare corporală gravă.

**Păstrați toate avertizările și instrucțiunile pentru consultare ulterioară.**

Termenul „sculă electrică” din avertizări se referă la scula electrică (cu cablu) alimentată de la rețeaua electrică sau scula electrică (fără cablu de alimentare) care funcționează cu acumulator.

**1) SIGURANȚA ZONEI DE LUCRU**

- a) **Păstrați zona de lucru curată și bine iluminată.** Zonele dezordonate și întunecoase predisun la accidente.
- b) **Nu puneți în funcțiune sculele electrice în atmosfere explozive, cum ar fi în prezența lichidelor, gazelor sau a pulberilor inflamabile.** Sculele electrice creează scânteii, care pot aprinde pulberile sau gazele.
- c) **Țineți copiii și persoanele prezente la distanță atunci când utilizați o sculă electrică.** Distragerea atenției vă poate face să pierdeți controlul.

**2) SIGURANȚA ELECTRICĂ**

- a) **Ștecherile sculelor electrice trebuie să corespundă cu priza de rețea electrică. Nu modificați niciodată ștecherul în vreun fel. Nu utilizați adaptoare de priză cu scule electrice împământate.** Ștecherile nemodificate și prizele adecvate vor reduce riscul de electrocutare.
- b) **Evitați contactul corpului cu suprafețele legate la împământare, cum sunt țevile, caloriferele, mașinile de gătit și frigiderale.** Acest lucru reprezintă un risc sporit de electrocutare în cazul care corpul dumneavoastră este împământat.
- c) **Nu expuneți sculele electrice la ploaie sau condiții de umiditate.** Pătrunderea apei într-o sculă electrică va crește riscul de electrocutare.
- d) **Nu folosiți în mod abuziv cablul de alimentare. Nu utilizați niciodată cordonul de alimentare pentru a transporta, a trage sau a scoate din priză scula electrică. Țineți cablul de alimentare departe de căldură, ulei, margini tăioase sau piese în mișcare.** Cablurile electrice deteriorate sau încălcite cresc riscul de electrocutare.
- e) **Când utilizați o sculă electrică în aer liber utilizați un cablu prelungitor adecvat pentru utilizarea în aer liber.** Utilizarea unui cablu adecvat pentru utilizare în aer liber reduce riscul de electrocutare.
- f) **Dacă utilizarea unei scule electrice într-o zonă umedă este inevitabilă, utilizați o sursă de alimentare protejată cu un întrerupător de protecție la curent rezidual (DCR).** Utilizarea unui astfel de întrerupător reduce riscul de electrocutare.

**3) SIGURANȚA PERSONALĂ**

- a) **Păstrați-vă vigilența, urmăriți ceea ce faceți și apelați la bunul simț când utilizați o sculă electrică. Nu utilizați o sculă electrică când sunteți obosit, sau sub influența medicamentelor, a alcoolului sau a medicației.** Un moment de neatenție în timp ce utilizați sculele electrice se poate solda cu vătămări grave.
- b) **Utilizați echipamente individuale de protecție. Purtați întotdeauna echipament de protecție oculară.** Echipamentele de protecție, cum ar fi masca de praf, bocancii de protecție antiderapanți, casca sau antifoanele utilizate în condiții corespunzătoare, vor reduce vătămrile corporale.

- c) **Preveniți pornirea accidentală. Asigurați-vă că întrerupătorul este în poziția oprit înainte de a conecta scula la o sursă de alimentare și/sau set de acumulatori, înainte de a ridica sau transporta scula.** Transportul sculelor electrice cu degetul pe întrerupător sau cu alimentarea cu energie electrică pornită, predisune la accidente.
  - d) **Îndepărtați orice cheie de reglare sau cheie fixă înainte de a porni scula electrică.** O cheie lăsată într-o piesă rotativă a sculei electrice poate duce la accidente.
  - e) **Nu încercați să ajungeți în locuri inaccesibile. Păstrați-vă stabilitatea și echilibrul în orice moment.** Astfel veți avea un control mai bun asupra sculei electrice în situații neașteptate.
  - f) **Îmbrăcați-vă corespunzător. Nu purtați haine largi sau bijuterii. Păstrați-vă părul și îmbrăcămintea departe de componentele în mișcare.** Îmbrăcămintea largă, bijuteriile sau părul lung se pot prinde în piesele în mișcare.
  - g) **Dacă sunt furnizate dispozitive pentru conectarea sistemelor de extragere și colectare a prafului, asigurați-vă că acestea sunt conectate și utilizate corespunzător.** Utilizarea dispozitivelor de colectare a prafului poate reduce pericolele legate de praf.
  - h) **Nu permiteți ca familiaritatea dobândită în urma utilizării frecvente a sculelor să vă facă să neglijați sau să nesocotiți principiile de siguranță ale sculei.** O operație neglijentă poate cauza vătămări grave într-o fracțiune de secundă.
- 4) UTILIZAREA ȘI ÎNGRIJIREA SCULELOR ELECTRICE**
- a) **Nu forțați scula electrică. Utilizați scula electrică corespunzătoare pentru aplicația dumneavoastră.** Scula electrică adecvată va face o treabă mai bună și mai sigură când este utilizată conform specificațiilor pentru care a fost concepută.
  - b) **Nu utilizați scula electrică dacă întrerupătorul nu comută pe pozițiile pornit și oprit.** Orice sculă electrică ce nu poate fi controlată de la întrerupător este periculoasă și trebuie reparată.
  - c) **Deconectați ștecherul de la sursa de alimentare și / sau scoateți acumulatorul, dacă este detașabil, de la scula electrică înainte de a efectua ajustări, de a schimba accesoriile sau de a stoca sculele electrice.** Astfel de măsuri preventive reduc riscul de pornire accidentală a sculei electrice.
  - d) **Depozitați sculele electrice într-un loc inaccesibil copiilor și nu permiteți utilizarea sculei electrice de persoane nefamiliarizate cu aceasta sau cu aceste instrucțiuni.** Sculele electrice sunt periculoase în mâinile utilizatorilor neinstruiți.
  - e) **Întrețineți sculele electrice și accesoriile. Verificați dacă există abateri de la coaxialitate sau îndoiri ale pieselor în mișcare, deteriorări ale pieselor și orice altă situație care poate afecta funcționarea sculelor electrice.** În caz de deteriorare, reparați scula electrică înainte de utilizare. Multe accidente sunt cauzate de sculele electrice prost întreținute.
  - f) **Mentțineți sculele de tăiere ascuțite și curate.** Sculele de tăiere întreținute corespunzător și cu muchii de tăiere ascuțite riscă mai puțin să se îndoie și sunt mai ușor de controlat.
  - g) **Utilizați scula electrică, accesoriile și cuțitele demontabile etc. în conformitate cu aceste**



**instrucțiuni, ținând cont de condițiile de lucru și lucrarea de efectuat.** Utilizarea sculei electrice pentru operații diferite de cele intenționate s-ar putea solda cu o situație periculoasă.

- h) Mențineți mânerul și suprafețele de apucat uscate, curate și fără ulei și vaselină.** Mănerul și suprafețele de apucare alunecoase nu permit manevrarea în siguranță și controlul asupra sculei în situații neașteptate.
- 5) UTILIZAREA ȘI ÎNGRIJIREA ACUMULATORULUI**
- a) Reîncărcați numai cu încărcătorul specificat de producător.** Un încărcător adecvat pentru un tip de set de acumulatori poate prezenta risc de incendiu dacă este utilizat cu alt set de acumulatori.
- b) Utilizați sculele electrice doar cu seturile de acumulatori special menționate.** Utilizarea oricărui alt set de acumulatori prezintă risc de accidente și incendiu.
- c) Când nu se utilizează setul de acumulatori, țineți-l departe de alte obiecte metalice precum clemele de hârtie, monedele, cheile, cuiele, șuruburile sau alte obiecte metalice mici care pot realiza o conexiune între borne.** Scurtcircuitarea bornelor acumulatorului poate produce arsuri sau un incendiu.
- d) În condiții abuzive se poate scurge lichid din acumulator; evitați contactul. Dacă are loc contactul accidental, clătiți cu apă. Dacă lichidul intră în contact cu ochii, efectuați suplimentar un consult medical.** Lichidul scurs din acumulator poate produce iritații sau arsuri.
- e) Nu utilizați un set de acumulatori sau o sculă deteriorată sau modificată.** Acumulatorii deteriorați sau modificați pot prezenta comportament imprevizibil, care poate duce la incendiu, explozie sau risc de vătămare.
- f) Nu expuneți setul de acumulatori la foc sau la temperaturi excesive.** Expunerea la foc sau la temperaturi de peste 130°C poate provoca explozie.
- g) Respectați instrucțiunile de încărcare și nu încărcați setul de acumulatori sau scula în afara intervalului de temperatură specificat în instrucțiuni.** Încărcarea necorespunzătoare sau la temperaturi în afara domeniului specificat poate duce la deteriorarea acumulatorului și la creșterea riscului de incendiu.
- 6) SERVICE**
- a) Apelați numai la o persoană calificată pentru a vă repara scula electrică utilizând numai piese de schimb identice.** Astfel se asigură menținerea nivelului de siguranță al sculei electrice.
- b) Nu efectuați niciodată operații de service asupra seturilor de acumulatori deteriorați.** Depanarea acumulatorilor trebuie să fie efectuată numai de producător sau de prestatorii autorizați de servicii.

#### **INSTRUCȚIUNI DE SIGURANȚĂ PENTRU FERĂSTRĂU ALTERNATIV FĂRĂ PERII**

- **Țineți scula electrică de mânerul izolat atunci când efectuați operații în cursul cărora accesoriul de tăiere poate atinge fire electrice ascunse** (contactul un cablu aflat sub tensiune poate electricifica componentele metalice ale sculei electrice, existând riscul unui șoc electric pentru operator)
- **Folosiți cleme sau alte metode practice pentru a securiza și susține piesa de prelucrat pe o platformă stabilă** (dacă țineți piesa cu mâna sau sprijinită de corp

va fi instabilă și puteți pierde controlul asupra ei)

#### **ACCESORII**

- SKIL garantează funcționarea perfectă a aparatului numai dacă sunt folosite accesoriile originale
- Folosiți numai accesoriile a căror turație admisă este cel puțin egală cu turația maximă la mers în gol a aparatului

#### **ÎNAINTEA UTILIZĂRII**

- Evitați daunele provocate de șuruburi, țiște și alte elemente din timpul lucrului; înlăturați aceste elemente înainte de a trece la acțiune
- **Folosiți detectoare adecvate pentru depistarea conductelor și conductorilor de alimentare sau apelați în acest scop la întreprinderea locală de furnizare a utilităților** (contactul cu conductorii electrici poate provoca incendii sau electrocutare; deteriorarea unei conducte de gaz poate duce la explozii; spargerea unei conducte de apă provoacă pagube materiale sau poate provoca electrocutare)

#### **SIGURANȚA PERSONALĂ**

- Această sculă nu trebuie să fie folosită de persoane sub 16 ani
- **Nu prelucrați materiale care conțin azbest** (azbestul este considerat a fi cancerigen)
- Praful rezultat din materiale precum vopseala care conține plumb, unele specii de lemn, minerale și metale poate fi periculos (contactul cu praful sau inhalarea acestuia poate provoca reacții alergice și/sau afecțiuni respiratorii operatorului sau persoanelor care stau în apropiere); **purtați o mască de praf și lucrați cu un dispozitiv de extragere a prafului când poate fi conectat**
- Anumite tipuri de praf sunt clasificate ca fiind cancerigene (cum ar fi praful de stejar și fag) în special în combinație cu aditivi pentru tratarea lemnului; **purtați o mască de praf și lucrați cu un dispozitiv de extragere a prafului când poate fi conectat**
- Respectați reglementările naționale referitoare la aspirația prafului în funcție de materialele de lucru folosite
- **Țineți mâinile departe de zona de tăiere și de lamă; mențineți mâna a doua pe mânerul D** (dacă ambele mâini țin ferăstrăul, acestea nu pot fi tăiate de lamă)
- **Nu atingeți sub piesa de prelucrat** (apropierea pânzei de mâna dumneavoastră este ascunsă vederii)
- **Nu țineți niciodată piesa de prelucrat în mâinile sau pe picioarele dvs.** (este important să lucrați într-un mod adecvat pentru a micșora la minimum expunerea corpului dvs. griparea pânzei sau pierderea controlului)
- **Nu folosiți o pânză toxică sau deteriorată** (pânzele de ferăstrău îndoite se pot rupe ușor sau provoca recul)
- **Folosiți mănuși de protecție când scoateți pânza de ferăstrău din sculă** (pânza poate fi fierbinte după o utilizare prelungită)
- Purtați ochelari de protecție și căști antifonice

#### **ACUMULATORII**

- **Bateria furnizată este parțial încărcată** (pentru a asigura o capacitate maximă a bateriei, încărcați-o complet utilizând încărcătorul acesteia înainte de a utiliza unealta electrică pentru prima dată)
- **Utilizați numai următoarele baterii și încărcătoare cu această sculă**
  - Baterie SKIL: BR1\*31\*\*\*\*
  - Încărcător SKIL: CR1\*31\*\*\*\*
- Nu utilizați bateria dacă este avariată; aceasta trebuie



înlocuită

- Nu dezasablați bateria
- Nu expuneți scula/bateria la ploaie
- Temperatură ambiantă admisă (instrument/încărcător/acumulator):
  - în timpul încărcării 4...40°C
  - în timpul funcționării -20...+50°C
  - în timpul depozitării -20...+50°C

#### EXPLICAȚIA SIMBOLURILOR DE PE INSTRUMENT/ BATERIE

- ③ Citiți manual de instrucțiuni înainte de utilizare
- ④ Bateriile vor exploda când sunt aruncate în foc, deci nu ardeți bateriile sub niciun motiv
- ⑤ Depozitați instrumentul / încărcătorul / bateria în locuri în care temperatura nu va depăși 50 ° C
- ⑥ Nu aruncați sculele electrice și bateriile direct la pubelele de gunoi

#### UTILIZAREA

- **Încărcarea bateriei**
  - ! **citiți avertismentele de siguranță și instrucțiunile care au fost furnizate împreună cu încărcătorul**
- Scoaterea/instalarea bateriilor ②
- Indicator nivel încărcare acumulator ⑦
  - apăsați butonul indicator al nivelului bateriei J pentru a afișa nivelul curentului bateriei ⑦a
  - ! **când nivelul cel mai scăzut al indicatorului bateriei începe să clipească după apăsarea butonului J ⑦b, bateria este descărcată**
  - ! **când 2 niveluri ale indicatorului bateriei încep să clipească după apăsarea butonului J ⑦c, bateria nu se află în intervalul de temperatură de funcționare permis**
- Întrerupător combinat pentru pornire/oprire și controlarea vitezei cu buton de blocare ⑧ ⑨
  - deblocați mai întâi apăsând butonul F
  - porniți scula prin tragerea declanșatorului G
  - dirijați viteza de la 0 la maximum prin apăsare mai puternică sau mai slabă a butonului de pornire
  - opriți scula prin eliberarea declanșatorului G
- Butonul de blocare F poate fi activat ⑧
  - dacă este activat, comutatorul de pornire/oprire este blocat și mașina este protejată împotriva pornirii involuntare
- Lumini LED duble K ⑩
  - Luminile LED duble se aprind automat la activarea comutatorului G
  - ! **când lumina LED începe să lumineze intermitent, protecția bateriei este activată (a se vedea mai jos)**
- Protecția bateriei
  - Aparatul este oprit brusc sau împiedicat să fie pornit când
    - **sarcina este prea mare** -> îndepărtați sarcina și reporniți
    - **temperatura bateriei nu se încadrează în intervalul admisibil de temperatură de funcționare de la -20 la + 50 ° C** -> 2 niveluri ale indicatorului de nivel al bateriei începe să clipească la apăsarea butonului J ⑦c; așteptați până când bateria a revenit în intervalul permis de temperatură de funcționare
    - **bateria este aproape descărcată (pentru a proteja împotriva descărcării profunde)** -> un nivel scăzut

al bateriei sau un nivel scăzut intermitent al bateriei este afișat de indicatorul nivelului bateriei atunci când apăsați butonul J; încărcați bateria

! **nu continuați să apăsați comutatorul pornit/oprit după oprirea automată a mașinii; în caz contrar, bateria poate fi deteriorată**

- Montarea pânzei de ferăstrău ⑪
  - ! **scoateți bateria din sculă înainte de a face orice reglaje sau de a schimba accesorii**
  - apăsați portscula C în direcția săgeții de pe unealtă și țineți-o în acea poziție
  - introduceți pânza (cu dinții în jos sau în sus) la adâncimea maximă
  - eliberați clema C a lamei
  - împingeți și trageți pânza pentru a verifica dacă este fixată corect
- Scoaterea lamei de ferăstrău ⑪
  - ! **scoateți bateria din sculă înainte de a face orice reglaje sau de a schimba accesorii**
  - apăsați portscula C în direcția săgeții de pe unealtă și țineți-o în acea poziție
  - scoateți pânza afară
  - eliberați clema C a lamei
- Utilizarea sculei
  - ! **fixați în siguranță piesa de prelucrat**
  - marcați linia de tăiere pe piesa de prelucrat
  - montați bateria pe sculă
  - țineți instrumentul cu o mână pe mânerul H și cealaltă pe mânerul izolat al mânerului D
  - porniți scula
  - ghidați scula de-a lungul liniei de tăiere marcate
  - mențineți ferm capul pivotant B pe piesa de prelucrat pentru a minimiza contra-forța și vibrațiile
- Mânuirea și dirijarea sculei
  - ! **în timp ce lucrați, țineți întotdeauna scula de zonă (zonele) de prindere colorate gri ⑫**
  - mențineți fantele de ventilație E neacoperite
  - nu exercitați prea multă presiune asupra sculei; lăsați scula să funcționeze
  - ! **asigurați-vă că pânza de ferăstrău trece dincolo de piesa de prelucrat în timpul cursei ⑬**
- Pivotarea capului ⑭
  - apăsați butonul de blocare F în poziția blocat și apoi scoateți acumulatorul din sculă.
  - țineți fermă ferăstrăul și apoi pivotați capul B la unghiul dorit, având grijă în același timp să evitați contactul cu lama.
  - reinstalați bateria și pregătiți-vă pentru tăiere

#### SFATURI PENTRU UTILIZARE

- Tăiere plonjată ⑮
  - Tăierile în interiorul materialului pot fi efectuate în lemn și alte materiale moi fără a face o gaură în prealabil
  - folosiți o pânză de ferăstrău mai groasă
  - ! **scoateți bateria din sculă înainte de a face orice reglaje sau de a schimba accesorii**
  - marcați linia de tăiere dorită pe piesa de prelucrat
  - înclinați scula astfel încât pânza de ferăstrău să nu atingă piesa de prelucrat
  - porniți scula și introduceți cu grijă pânza de ferăstrău în mișcare în piesa de prelucrat
  - după ce pânza de ferăstrău a trecut prin piesă continuați să tăiați de-a lungul liniei de tăiere marcate

- ! **nu faceți tăieri în interiorul materialului în metale**
- Folosiți пânзеle de ferăstrău corespunzătoare ⑩
- Când tăiați metale, ungeți в mod regulat пъnză de ferăstrău cu ulei
- Tăiere fără ащии
  - acoperiți linia de tăiere, înainte de а tăia, с câteva straturi de bandă adezivă lată
  - puneți в întотdeauna materialul la care lucраți с fața в jos
- Pentru mai multe informații, consultați [www.skil.com](http://www.skil.com)

## ÎНТРЕТІНЕРЕ / SERVICE

- Această sculă nu este destinată utilizării profesionale
- Păstrați в întотdeauna апаратul curat (mai ales fantele de ventilație E ②)
- ! **scoateți bateria din scula electrică înainte de curățare**
- Dacă в ciuda procedeeleor de fabricație și control riguroase scula are totuși o pană, repararea acesteia se va face numai la un atelier de asistență service autorizat pentru scule electrice SKIL
  - trimiteți scula в totalitatea lui с bonul de cumpărare la distribuitorul sau la centrul de service SKIL cel mai apropiat (adrese și diagrame de service se găсesc la [www.skil.com](http://www.skil.com))
- Trebuie să fiți conștienți de faptul că deteriorarea datorată supra-sarcinii sau utilizării incorecte а sculei va duce la excluderea din garanție (pentru condițiile de garanție SKIL consultați [www.skil.com](http://www.skil.com) sau втребаți distribuitorul)

## MEDIUL

- Nu aruncați sculele electrice, bateriile, accesoriiе sau ambalajele direct la пubelele de gunoi (numai pentru țările din Comunitatea Europeană)
  - Directiva Europeană 2012/19/EC face referire la modul de aruncare а echipamentelor electrice și electronice și modul de aplicare а normelor в conformitate с legislația națională; sculele electrice в momentul в care au atins un grad avansat de uzură și trebuie sc aruncate, ele trebuie sc colectate separat și reciclate втнtr-un mod ce respectă normele de protecție а mediului втнconjurător
  - simbolul ⑥ vă va reaminti acest lucru
- ! **вnainte aruncare protejați terminalele bateriei с lentă protectoare pentru а preінтămpina scurtcircuitul**

## ZGOMOT / VІBRAȚІI

- Măsurat в conformitate с EN 62841, nivelul de presiune acustică al acestui instrument este **87 dB (A)** și nivelul de putere acustică **98 dB (A)** (incertitudine K = 3 dB) și vibrația \*(suma vectorului triax; incertitudinea K = 1.5 m/s<sup>2</sup>)
  - \* placă de tăiat **10.58 m/s<sup>2</sup>**
  - \* tăierea grinzilor de lemn **8.46 m/s<sup>2</sup>**
- Nivelul emisiilor de vibrații а fost măsurat в conformitate с un test standardizat precizat в EN 62841; poate fi folosit pentru а compara o sculă с alta și ca evaluare preliminară а expunerii la vibrații atunci când folosiți scula pentru aplicațiile menționate
  - utilizarea sculei pentru aplicații diferite sau с accesorii

diferite și prost втнreținute poate **crește** semnificativ nivelul de expunere

- momentele в care scula este oprită sau când funcționează dar nu execută nicio lucrare, pot reduce semnificativ nivelul de expunere

! **protejați-vă втpotriva efectelor vibrațiilor prin втнreținerea sculei și а accesoriiilor sale, păstraңd mâinile calde și organizăңd procesele de lucru**

BG

## Безчетков акумулаторен саблен трион

3475

## УВОД

- Този инструмент е предназначен за рязане на дърво, пластмаса, метал и строителни материали, както и за подрязване и кастрене на дървета.
- Този инструмент не е предназначен за професионална употреба.
- Прочетете и пазете това ръководство за работа.③

## ТЕХНИЧЕСКИ ДАННИ ①

## ЕЛЕМЕНТИ НА ИНСТРУМЕНТА ②

- A Нож
- B Пивотна обувка
- C Фиксатор на острието
- D Цилиндрична ръкохватка
- E Вентилационни отвори
- F Бутон за заключване
- G Спусък за включване/изключване и регулиране на скоростта
- H Ръкохватка
- J Бутон за индикация на нивото на батерията
- K Двойни LED светлини

## БЕЗОПАСНОСТ

### ОБЩИ ПРЕДУПРЕЖДЕНИЯ ЗА БЕЗОПАСНОСТ НА ЕЛЕКТРИЧЕСКИ ИНСТРУМЕНТИ

**⚠ ПРЕДУПРЕЖДЕНИЕ** Прочетете всички предупреждения за безопасност, инструкции, илюстрации и спецификации предоставени с този електрически инструмент. Неспазването на всички инструкции изброени долу може да доведе до токов удар, пожар и/или сериозно нараняване.

**Запазете всички предупреждения и инструкции за бъдеща справка.**

Терминът “електрически инструмент” в предупрежденията се отнася до захранвани от мрежата (кабелни) електрически инструменти или захранвани чрез батерия (безкабелни) електрически инструменти.

### 1) БЕЗОПАСНОСТ В РАБОТНАТА ЗОНА

- a) **Поддържайте работната зона чиста и добре осветена.** Разхвърляни или тъмни работни зони

пораждат инциденти.

- b) **Не работете с електрически инструменти в експлозивна атмосфера, като например в присъствието на запалими течности, газ или прах.** Електрическият инструмент създава искра, която може да възпламени праха или изпаренията.
  - c) **Дръжте на разстояние децата и страничните лица, докато работите с електрически инструмент.** Разсейването може да причини загуба на контрол.
- 2) ЕЛЕКТРИЧЕСКА БЕЗОПАСНОСТ**
- a) **Щепселите на електрическия инструмент трябва да съответстват на контакта. Никога не модифицирайте щепсела по канъвто и да е начин. Не използвайте кабелто и да е адаптер със заземен електрически инструменти.** Немодифицираните щепсели и съответстващите контакти ще намалят риска от електрически шок.
  - b) **Избягвайте контакт на тялото със заземените повърхности като тръби, радиатори, кухненски печки и хладилници.** Съществува повишена опасност от токов удар, ако тялото Ви е заземено.
  - c) **Не излагайте електрическите инструменти на дъжд или влажни условия.** Навлизането на вода в електрическия инструмент ще увеличи риска от токов удар.
  - d) **Не злоупотребявайте с кабела. Никога не използвайте кабела за пренасяне, изтегляне или изключване от контакта на електрическия инструмент. Дръжте кабела настрана от топлина, масло, остри ръбове или движещи се части.** Повредени или оплетени кабели увеличават риска от електрически удар.
  - e) **Ногата работите с електрически инструмент на открито, използвайте удължителен кабел подходящ за употреба на открито.** Употребата на кабел подходящ за употреба на открито намалява риска от електрически удар.
  - f) **Ано работата с електрическия инструмент на влажно място е неизбегна, използвайте захранване с дефенотонна защита (RCD).** Употребата на RCD намалява риска от токов удар.
- 3) ЛИЧНА БЕЗОПАСНОСТ**
- a) **Внимавайте, гледайте нанво правите и използвайте здрав разум, когато работите с електрически инструмент. Не използвайте електрически инструмент, когато сте уморени или когато сте под влияние на наркотици, алкохол или лекарства.** Момент невнимание по време на работата с електрически инструмент, може да доведе до сериозно лично нараняване.
  - b) **Използвайте лични предпазни средства. Винаги носете защита за очите.** Защитно оборудване като прахови маски, не плъзгащи се безопасно обувки, твърда каска или защита за слуха използвана при подходящи условия ще намали риска от лични наранявания.
  - c) **Предотвратете непреднамерено пускане. Уверете се, че ключът е в изключена позиция, преди да свържете към захранване и/или батерия, повдигайки или носещи инструменти.** Пренасянето на електроинструменти с пръст на превключвателя или наелектризиран

електроинструменти с включен превключвател създава условия за злополуки.

- d) **Извадете всеки регулиращ ключ или гаечен ключ, преди да включите захранването.** Гаечен или друг ключ оставен закачен към въртящите се части на електрическия инструмент, може да доведе до лично нараняване.
  - e) **Не се протягайте. Запазете правилна стойка и баланс по всяко време.** Това позволява по-добър контрол върху електрическия инструмент в непредвидени ситуации.
  - f) **Облечете се подходящо. Не носете свободни дрехи или накити. Дръжте носата и дрехите си далеч от движещи се части.** Свободни дрехи, накити или дълга коса, могат да бъдат хванати в движещите се части.
  - g) **Ано са предоставени устройства за свързване на прахоуловител или съоръжения за събиране, уверете се, че те са свързани и са правилно използвани.** Употребата на устройства за събиране на прах може да намали рисковете свързани с прах.
  - h) **Не позволявайте на рутинността придобитата от честата употреба на инструмента да позволи да станете небрежни и да игнорирате принципите за безопасност на инструмента.** Небрежно действие може да причини сериозно нараняване за части от секундата.
- 4) УПОТРЕБА И ГРИЖА ЗА ЕЛЕКТРИЧЕСКИЯ ИНСТРУМЕНТ**
- a) **Не пресилвайте електрически инструмент. Използвайте правилния електрически инструмент за вашата работа.** Правилният електрически инструмент ще свърши работата по-добре и по-безопасно при капацитета за който е проектиран.
  - b) **Не използвайте електрическия инструмент ано ключът не го включва или изключва.** Всеки електрически инструмент, който не може да бъде контролиран от ключа е опасен и трябва да бъде поправен.
  - c) **Разначете щепсела от захранването и/или извадете батерията, ано може да се извади, от електрическия инструмент, преди да извършите настройки, смяна на аксесоари или съхраняване на инструментите.** Подобни превантивни мерки за безопасност намаляват риска от стартиране на инструмента инцидентно.
  - d) **Дръжте свободния електрически инструмент извън достъпа до деца и не позволявайте хора, които не са запознати с електрическия инструмент или тези инструкции да работят с него.** Електрическите инструменти са опасни в ръцете на необучени потребители.
  - e) **Поддръжка на електрически инструменти и аксесоари. Проверете за разместване или блокиране на подвижни части, счупване на части, и всякакви други условия, които могат да повлияят на работата на електрическия инструмент. При повреда ремонтирайте инструмента преди употреба.** Много инциденти са причинени от лошо поддържани електрически инструменти.
  - f) **Дръжте режещите инструменти остри и чисти.**

Правилно поддържани режещи инструменти, с остри режещи ръбове е по-малко вероятно да се заклещат и по-лесно се контролират.

- g) **Използвайте електрическия инструмент, аксесоарите, частите на инструмента и т.н. в съответствие с тези инструкции, като вземете предвид условията на работа и вида работа, която ще бъде извършвана.** Употребата на електрическия инструмент за дейности различни от предназначенията може да доведе до опасни ситуации.
- h) **Дръжте ръкохватките и повърхностите за захващане сухи, чисти и без масло и грес.** Хлъзгавите ръкохватки и места за захващане не позволяват безопасно боравене и контролиране на инструмента при неочаквана ситуация.
- 5) **УПОТРЕБА И ГРИЖА ЗА ИНСТРУМЕНТ С БАТЕРИЯ**
- a) **Презареждайте само със зарядно устройство определено от производителя.** Зарядно устройство, което е подходящо за един вид акумулаторна батерия може да създаде опасност от пожар, когато се използва с друга акумулаторна батерия.
- b) **Използвайте електрически инструменти само със специфично обозначени акумулаторни батерии.** Използването на всяка друга акумулаторна батерия може да създаде риск от нараняване и пожар.
- c) **Когато акумулаторните батерии не са в употреба ги дръжте на разстояние от други метални обекти, като клемери, монети, ключове, пирони, отвертки или други малки метални предмети, които могат да направят свързване между клемите.** Свързване на късо на клемите на батерията може да причини изгаряне или пожар.
- d) **При условия на злоупотреба, може да се изхвърли течност от батерията. Избягвайте контакт. В случай на инцидентен контакт измийте с вода. Ако течността влезе в контакт с очите, потърсете допълнително медицинска помощ.** Течността изхвърлена от батерията може да причини раздразнение или изгаряния.
- e) **Не използвайте акумулаторна батерия или инструмент, които са повредени или модифицирани.** Повредените или модифицираните батерии може да проявят непредсказуемо поведение, което да доведе до пожар, експлозия или риск от нараняване.
- f) **Не излагайте батерията или инструмента на огън или прекомерна температура.** Излагане на огън или температури над 130 °C може да причини експлозия.
- g) **Следвайте всички инструкции за зареждане и не зареждайте батерията или инструмента извън температурния обхват зададен в инструкциите.** Неправилното зареждане или зареждане извън определения температурен обхват може да повреди батерията и да повиши риска от пожар.
- 6) **ОБСЛУЖВАНЕ**
- a) **Обслужвайте вашия електрически инструмент чрез квалифициран техник, като използвате само идентични резервни части.** Това ще осигури поддържането на безопасност на електрическия

инструмент.

- b) **Никога не поправяйте повредени акумулаторни батерии.** Ремонтът на акумулаторни батерии трябва да бъде извършван от произведителя или оторизиран сервиз.

## УКАЗАНИЯ ЗА БЕЗОПАСНА РАБОТА ЗА БЕЗЧЕТКОВИ ВЪЗВРАТНО-ПОСТЪПАТЕЛНИ ТРИОНИ

- **Дръжте електроинструмента за изолирани захващащи повърхности при изпълняване на операция, при която режещият аксесоар може да влезе в контакт със скрити онабеляване** (режещ аксесоар в контакт с „жив“ електрически проводник може да направи изложените метални части на електроинструмента „живи“ и да причини електрически удар на оператора)
- **Използвайте затягащи приспособления или друг практичен начин за обезопасяване и закрепване на обработвания детайл към стабилна основа** (държането на обработвания детайл с ръка или опрян до тялото го прави нестабилен и може да доведе до загуба на контрол)

### АКСЕСОАРИ

- SKIL може да осигури безаварийна работа на електроинструмента само ако се използват оригинални допълнителни приспособления
- Използвайте само принадлежности, чиято допустима скорост на въртене е по-голяма или равна на максималната скорост на въртене на празен ход на електроинструмента

### ПРЕДИ УПОТРЕБА

- Избягвайте повреди, които могат да бъдат причинени от винтове, гвоздеи и други метални елементи в обработвания детайл; отстранете ги преди да започнете работа
- **За да откриете скрити под повърхността електро-, водо- и газопроводи, използвайте подходящи уреди или се обърнете към местното снабдително дружество** (прекъсването на електропроводници под напрежение може да предизвика пожар и/или токов удар; увредането на газопровод може да предизвика експлозия; засягането на водопровод може да предизвика значителни материални щети и/или токов удар)

### ЛИЧНА БЕЗОПАСНОСТ

- Този инструмент не трябва да се използва от лица под 16 години
- **Не обработвайте съдържащ азбест материал** (азбестът е канцерогенен)
- Прахът от някои материали, като например съдържаща олово боя, някои видове дървесина, минерали и метали може да бъде вреден (контакт или вдишване на такъв прах могат да причинят алергични реакции и/или респираторни заболявания на оператора или стоящите наблизо лица); **използвайте противопрахова маска и работете с аспириращо праха устройство, когато танова може да бъде свързано**
- Определени видове прах са класифицирани като карциногенни (като прах от дъб и бук) особено когато са комбинирани с добавки за подобряване на състоянието на дървесината; **използвайте противопрахова маска и работете с аспириращо праха устройство, когато танова може да бъде**

### свързано

- Следвайте дефинираните по БДС изисквания относно запрашеността за материалите, които желаете да обработвате
- **Пазете ръцете от областта на рязане и острието; дръжте едната си ръка върху ръкохватката D ②** (ако и двете ръце държат инструмента, режещият инструмент не може да ги засегне)
- **Не посягайте с ръце под обработвания детайл** (близостта на острието до ръката ви остава скрито от погледа)
- **Никога не дръжте обработвания детайл в ръце или върху крака си** (доброто закрепване на обработвания детайл е от голямо значение за свеждане до минимум опасността от подлагане на тялото на нежелани въздействия, заклиняването на острието или загубата на контрол върху инструмента)
- **Не използвайте затъпен или повреден режещ инструмент** (изкривените остриета се чупят лесно или предизвикват откат)
- **Използвайте защитни ръкавици при демонтиране на острието от инструмента** (острието може да е нагорещено след продължителна работа)
- Носете защитни очила и тапи за уши

### АНУМУЛАТОРНИ БАТЕРИИ

- Доставената в комплекта батерия е частично заредена (за да осигурите пълен капацитет на батерията, заредете напълно батерията в зарядното устройство за батерия, преди да използвате вашия електроинструмент за първи път)
- Използвайте само следните батерии и зарядни устройства с този инструмент
  - SKIL батерия: BR1\*31\*\*\*\*
  - SKIL зарядно устройство: CR1\*31\*\*\*\*
- Не използвайте батерията, когато е повредена; тя трябва да бъде заменена
- Не разглобявайте батерията
- Не излагайте на дъжд инструмента/батерията
- Допустима околна температура (инструмент/зарядното устройство/батерия):
  - при зареждане 4...40°C
  - по време на работа -20...+50°C
  - при съхраняване -20...+50°C

### ОБЯСНЕНИЕ НА СИМВОЛИТЕ ПО ИНСТРУМЕНТА/АНУМУЛАТОРНАТА БАТЕРИЯ

- ③ Преди употреба прочетете ръководството с указания
- ④ Хвърлен в огън, акумулаторът ще експлодира, така че не изгаряйте акумулатора по каквато и да е причина
- ⑤ Съхранявайте инструмента/зарядното устройство/батерията в помещения при температури, не по-високи от 50°C
- ⑥ Не изхвърляйте електроуредите и батерии заедно с битови отпадъци

### УПОТРЕБА

- Зареждане на акумулаторната батерия  
**! прочетете предупрежденията и инструкциите за безопасност, доставени със зарядното устройство**
- Изваждане/инсталиране на батерията ②
- Индикатор за нивото на заряд на батерията ⑦

- натиснете бутона за индикатора на нивото на заряд на батерията J за показване на текущото ниво на заряд на батерията ⑦a

**! Когато най-ниското ниво на индикатора за батерията започне да мига след натискане на бутона J ⑦b, батерията е разредена**

**! Когато 2 нива на индикатора на батерията започнат да мигат след натискане на бутона J ⑦c, батерията не е в допустимия работен температурен диапазон**

- Комбиниран превключвател за включване/изключване и контрол на скоростта с бутон за заключване ⑧ ⑨
  - първо отключете, като натиснете бутон F
  - включете инструмента чрез натискане на спусъка G
  - управлението на скоростта от нула до максималната стойност се извършва като натискате прекъсвача по-силно или по-слабо
  - изключете, като освободите спусъка G
- Бутонът за заключване F може да бъде активиран ⑧
  - ако е активирано, превключвателят за включване/изключване е блокиран и машината е обезопасена срещу неволно включване
- Двойни LED светлини K ⑩
  - Двойните LED светлини се включват автоматично при активиране на превключвателя G
  - ! когато LED светлините започнат да мигат, защитата на батерията е активирана (вижте по-долу)**
- Защита на батерията  
Инструментът внезапно се изключва или не позволява да се включи, когато
  - **натоварването е преналяно голямо** -> премахнете натоварването и рестартирайте
  - **температурата на батерията е извън допустимия работен температурен диапазон от -20 до +50°C** --> 2 нива на индикатора за заряд на батерията започват да мигат, когато натискате бутона J ⑦c; изчакайте, докато батерията си възвърне допустимия работен температурен диапазон
  - **батерията е почти празна (за предпазване срещу пълно разреждане)** --> ниско ниво на батерията или мигащо ниско ниво на батерията ub е показано чрез индикатора за заряд на батерията, когато натискате бутона J; заредете батерията
  - ! след автоматичното изключване на инструмента не продължавайте да натискате спусъка, понеже може да се повреди акумулаторът**
- Поставяне на острие ⑪
  - ! изваждайте батерията от инструмента преди всякакви регулировки или смяна на принадлежности**
  - натиснете фиксатора на острието C в същата посока, както стрелката на инструмента и задържете в тази позиция
  - вкарайте острието (със зъбците надолу или нагоре) до максимална дълбочина
  - отпуснете фиксатора на острието C
  - натиснете и дръпнете острието, за да проверите дали е поставено правилно
- Изваждане на острие ⑪



**! изваждате батерията от инструмента преди всякакви регулировки или смяна на принадлежности**

- натиснете фиксатора на острието С в същата посока, както стрелката на инструмента и задръжте в тази позиция
- издърпайте острието
- отпуснете фиксатора на острието С

• Работа с инструмента

**! затегнете здраво детайла**

- отбележете линията на рязане върху обработвания детайл
- монтирайте батерията на инструмента
- хванете инструмента с една ръка за дръжката Н, а другата поставете върху изолираната цилиндрична ръкохватка D
- включете инструмента
- насочвайте инструмента по отбелязаната линия на рязане
- притискайте шарнирната обувка В към обработвания детайл за свеждане до минимум на противодействащата сила и вибрациите

• Държане и насочване на инструмента

**! по време на работа, винаги дръжте инструмента за оцветената в сиво област(и) за хващане <sup>12</sup>**

- оставяйте вентилационните отвори Е непокрити
- не прилагайте твърде голям натиск върху инструмента; нека той да свърши работата вместо вас

**! уверете се, че режещият нож се преминава извън детайла през целия ход <sup>13</sup>**

• Завъртане на обувката <sup>14</sup>

- натиснете фиксиращия бутон F до заключено положение и след това извадете батерията от инструмента.
- дръжте здраво триона и след това завъртете обувката В до желания ъгъл, като същевременно внимавате да избегнете контакт с острието.
- поставете отново батерията и се подгответе за рязане

## УКАЗАНИЯ ЗА РАБОТА

• Рязане с връзване <sup>15</sup>

- Нарези могат да се правят в дърво и други меки материали без предварително пробиване на отвор
- използвайте дебело острие

**! изваждате батерията от инструмента преди всякакви регулировки или смяна на принадлежности**

- отбележете желаната линия на рязане върху обработвания детайл
- наклонете инструмента така, че острието да не докосва обработвания детайл
- включете инструмента и внимателно притиснете острието към обработвания детайл
- след като острието проникне в обработвания детайл, продължете рязането по отбелязаната линия

**! не правете разрези чрез връзване в метални материали**

- Използвайте подходящи режещи ножове <sup>16</sup>
- При рязане на метали смазвайте редовно режещата

лента с машинно масло

- Рязане без разцепване
  - преди рязане покрийте линията на разреза с няколко слоя широка лепилна лента
  - лицевата страна на обработвания детайл винаги трябва да сочи надолу
- За повече информация вижте [www.skil.com](http://www.skil.com)

## ПОДДРЪЖКА / СЕРВИЗ

- Този инструмент не е предназначен за професионална употреба
- Винаги поддържайте инструмента чист (особено вентилационните отвори Е <sup>2</sup>)
- **! извадете батерията от инструмента преди почистване**
- Ако въпреки прецизното производство и внимателно изпитване възникне повреда, инструмента да се занесе за ремонт в оторизиран сервиз за електроинструменти на SKIL
  - занесете инструмента в неразглобен вид заедно с доказателство за покупката му в търговския обект, откъдето сте го закупили, или в най-близкия сервиз на SKIL (адресите, както и схемата за сервизно обслужване на електроинструмента, можете да намерите на адрес [www.skil.com](http://www.skil.com))
- Имайте предвид, че повреда поради претоварване или неправилно манипулиране с инструмента ще бъдат изключени от гаранцията (за условията на гаранцията от SKIL виж на интернет адрес: [www.skil.com](http://www.skil.com) или попитайте вашия дилър)

## ОПАЗВАНЕ НА ОКОЛНАТА СРЕДА

- Не изхвърляйте електроуредите, батерии, приспособленията и опаковките заедно с битови отпадъци (само за страни от ЕС)
  - съобразно Директивата на ЕС 2012/19/ЕО относно износени електрически и електронни уреди и отразяването ѝ в националното законодателство износените електроуреди следва да се събират отделно и да се предават за рециклиране според изискванията за опазване на околната среда
  - символът <sup>6</sup> ще ви напомни за това, когато е необходимо изхвърляне

**! преди да изхвърлите батерията, защитете изводите ѝ с дебела лепенка, за да няма опасност от възникване на късо съединение**

## ШУМ / ВИБРАЦИИ

- Измерено в съответствие с EN 62841, нивото на звуковото налягане на този инструмент е **87 dB(A)**, а нивото на звуковата мощност **98dB(A)** (неопределеност K = 3 dB) и вибрацията **\*** (триаксиална векторна сума; неопределеност K = 1,5 m/s<sup>2</sup>)
  - \*** при рязане на дъска **10,58 m/s<sup>2</sup>**
  - \*** при рязане на дървени греди **8,46 m/s<sup>2</sup>**
- Нивото на предадените вибрации е измерено в съответствие със стандартизирания тест, определен в EN 62841; то може да се използва за сравнение на един инструмент с друг и като предварителна оценка на подлагането на вибрации при използването на инструмента за посочените приложения



- използването на инструмента за различни от тези приложения или с други, или лошо поддържани аксесоари може значително да повиши нивото, на което сте подложени
  - периодите от време, когато инструмента е изключен или съответно включен, но с него не се работи в момента могат значително да намалят нивото на което сте подложени
- ! предпазвайте се от ефентите от вибрациите, като поддържате инструмента и аксесоарите му, пазите ръцете си топли и организирате вашите модели на работа**

SK

## Bezkontaktná akumulátorová vratná píla

3475

### ÚVOD

- Toto náradie je určené na rezanie dreva, plastov, kovov a stavebných materiálov, ako aj na prerezavanie a orezavanie stromov.
- Toto náradie nie je vhodné pre profesionálne použitie.
- Prečítajte a uschovajte si tento návod na použitie. ③

### TECHNICKÉ ÚDAJE ①

### ČASTI NÁRADIA ②

- A Pílový list
- B Vodiaca päťka
- C Svorka pílového listu
- D Predná rukoväť
- E Vetracie štrbiny
- F Aretačné tlačidlo
- G Hlavný vypínač a ovládanie rýchlosti
- H Rukoväť
- J Tlačidlo kontrolky stavu akumulátora
- K Zdrojové LED svetlo

### BEZPEČNOSŤ

#### VŠEOBECNÉ BEZPEČNOSTNÉ UPOZORNENIA PRE ELEKTRICKÉ NÁRADIE

**VAROVANIE** Prečítajte si všetky bezpečnostné výstrahy, pokyny, ilustrácie a technické údaje dodané s týmto elektrickým nástrojom. Nedodržanie nižšie uvedených pokynov môže mať za následok úraz elektrickým prúdom, požiar a/alebo vážne zranenie.

Všetky varovania a pokyny si ponechajte pre prípadnú potrebu v budúcnosti.

Pojem „elektrické nástroj“ varovaniach sa vzťahuje na váš elektrický nástroj napájaný zo siete (s káblom) alebo nástroj napájaný z akumulátora (bez kábla).

#### 1) BEZPEČNOSŤ PRACOVISKA

- a) **Udržiavajte pracovisko čisté a dobre osvetlené.** Neporiadok alebo tmavé miesta spôsobujú nehody.

b) **Nepoužívajte elektrické náradie vo výbušnom prostredí, napríklad v prítomnosti horľavých kvapalín, plynov alebo prachu.** Elektrické náradie je zdrojom iskrenia, ktoré môže zapáliť prach alebo výpary.

c) **Pri používaní elektrického náradia udržiavajte deti a okolostojace osoby mimo pracoviska.** Rozptyľovanie pozornosti môže viesť ku strate kontroly.

#### 2) ELEKTRICKÁ BEZPEČNOSŤ

- a) **Zástrčka elektrického náradia musí zodpovedať elektrickej zásuvke. Nikdy a žiadnym spôsobom nemodifikujte zástrčku. Nepoužívajte žiadne rozbočovacie zástrčky s uzemneným elektrickým náradím.** Neupravené zástrčky a vhodné zásuvky obmedzia nebezpečenstvo úrazu elektrickým prúdom.
  - b) **Zabráňte kontaktu tela s uzemnenými povrchmi, ako sú rúry, radiátory, sporáky a chladničky.** Dochádza k zvýšeniu rizika úrazu elektrickým prúdom, ak je vaše telo uzemnené.
  - c) **Chráňte elektrické náradie pred dažďom a vlhkým prostredím.** Vniknutie vody do elektrického náradia zvyšuje riziko úrazu elektrickým prúdom.
  - d) **Nepoužívajte kábel nesprávnym spôsobom. Nepoužívajte ho na prenášanie, ťahanie alebo odpájanie elektrického náradia. Udržujte kábel v dostatočnej vzdialenosti od zdrojov tepla, oleja, ostrých hrán alebo pohyblivých častí.** Poškodená alebo zamotaná šnúra zvyšuje riziko zasiahnutia elektrickým prúdom.
  - e) **Ak sa chystáte náradie použiť v exteriéroch, použite výhradne predlžovaciu šnúru vhodnú na použitie v exteriéroch.** Použitie šnúry vhodnej pre použitie v exteriéroch znižuje riziko úrazu elektrickým prúdom.
  - f) **Ak je používanie elektrického náradia vo vlhkom prostredí nevyhnutné, použite napájanie chránené prúdovým chráničom (RCD).** Použitie prúdového chrániča znižuje riziko úrazu elektrickým prúdom.
- #### 3) BEZPEČNOSŤ OSÔB
- a) **Buďte pozorní, sledujte to, čo robíte a používajte zdravý rozum pri práci s elektrickým náradím. Nepoužívajte elektrické náradie, ak ste unavení alebo pod vplyvom drog, alkoholu alebo liekov.** Chvilková nepozornosť pri práci s elektrickým náradím môže mať za následok vážne zranenie.
  - b) **Používajte osobné ochranné pomôcky. Vždy používajte ochranu očí.** Ochranné prostriedky ako respirátor, protišmyková bezpečnostná obuv, prilba alebo chrániče sluchu použité za vhodných podmienok znižujú nebezpečenstvo zranenia.
  - c) **Zabráňte neúmyselnému uvedeniu do prevádzky. Pred pripojením k zdroju napájania a/alebo akumulátoru, pri zdvíhaní alebo prenášaní náradia sa uistite, že prepínač je vo vypnutej polohe.** Prenášanie náradia s prstom na spínači, alebo prenášanie zapnutého elektrického náradia zvyšuje riziko úrazu.
  - d) **Pred spustením náradia vždy odstráňte nastavovací klin alebo kľúč.** Kľúč alebo klin, ktorý necháte pripevnený k otáčajúcej sa časti elektrického náradia, môže spôsobiť zranenie osôb.
  - e) **Neprečeňujte sa. Pri práci vždy dodržiujte správny postoj a rovnováhu.** To umožňuje lepšiu ovládateľnosť náradia v nečakaných situáciách.
  - f) **Noste vhodné oblečenie. Nenoste šperky alebo**

voľný odev. Udržujte vlasy a oblečenie mimo dosah pohyblivých častí. Voľný odev, šperky alebo dlhé vlasy môžu byť zachytené pohyblivými sa dielmi.

- g) **Pokiaľ je náradie vybavené zariadením na zachytávanie prachu a úlomkov materiálu, skontrolujte, či je k náradiu správne pripojené.** Použitie odsávania prachu môže znížiť nebezpečenstvo, ktoré súvisí s prachom.
- h) **Nedovoľte, aby ste sa po získaní skúseností častým používaním náradia stali neobozretnými a ignorovali zásady bezpečnosti.** Nedbalá činnosť môže spôsobiť vážne zranenie za zlomok sekundy.
- 4) **POUŽITIE ELEKTRICKÉHO NÁRÁDIA A STAROSTLIVOSŤ**
- a) **Stroj nepreťažujte. Používajte správny typ náradia určený na danú prácu.** Náradie bude pracovať lepšie a bezpečnejšie pri rýchlosti, na ktorú bolo navrhnuté.
- b) **Nepoužívajte elektrické náradie, ak sa nedá zapnúť a vypnúť použitím vypínača.** Akékoľvek elektrické náradie, ktoré sa nedá ovládať vypínačom je nebezpečné a musí sa opraviť.
- c) **Pred akýmkoľvek úpravami, výmenou príslušenstva alebo uskladnením elektrického nástroja odpojte zástrčku od zdroja napájania a/alebo vyberte z nástroja akumulátor, ak je odpojiteľný.** Takéto preventívne bezpečnostné opatrenia znižujú riziko náhodného spustenia elektrického náradia.
- d) **Uchovávajte nepoužívané elektronáradie mimo dosahu detí a nedovoľte, aby osoby neobznámené s elektrickým náradím alebo s týmito pokynmi náradie používali.** Elektrické náradie je nebezpečné v rukách neskúsených používateľov.
- e) **Udržujte elektrické náradie a príslušenstvo. Skontrolujte nastavenie pohyblivých častí, poškodenie dielov a akékoľvek ďalšie okolnosti, ktoré môžu mať vplyv na funkciu elektrického náradia. Ak je elektrické náradie poškodené, nechajte ho pred použitím opraviť.** Veľa úrazov je zapríčinených zle udržiavaným náradím.
- f) **Strihacie náradie udržiavajte ostré a čisté.** Starostlivo ošetrované strihacie náradie s ostrými čepeľami menej pravdepodobne uviazne a jednoduchšie sa ovláda.
- g) **Používajte elektronáradie, príslušenstvo, násady apod. podľa týchto pokynov a rešpektujte pritom pracovné podmienky a vykonávanú činnosť.** Použitie elektrického náradia na iné ako určené účely môže viesť k nebezpečným situáciám.
- h) **Udržujte rukoväte a uchopovacie plochy suché, čisté, bez oleja a maziva.** Klzké držiadlá a uchopovacie plochy neumožňujú bezpečnú manipuláciu s náradím a jeho ovládanie v nečakaných situáciách.
- 5) **POUŽÍVANIE A STAROSTLIVOSŤ O NÁRADIE NA AKUMULÁTOR**
- a) **Nabíjajte len pomocou nabíjačky špecifikovanej výrobcom.** Nabíjačka, ktorá je vhodná pre jeden typ akumulátora, môže predstavovať pri nabíjaní iného typu akumulátora nebezpečenstvo.
- b) **Používajte elektrické náradie iba s výslovné určenými akumulátormi.** Použitie iných typov akumulátorov môže spôsobiť riziko úrazu a požiaru.
- c) **Pokiaľ akumulátor nepoužívate, držte ho mimo dosahu kovových predmetov, ako sú kancelárske sponky na papier, mince, kľúče, klince, skrutky**

alebo ďalšie drobné kovové predmety, ktoré môžu spôsobiť vzájomné skratovanie kontaktov. Skratovanie kontaktov akumulátora môže spôsobiť popálenieiny alebo požiar.

- d) **Za nevhodných podmienok môže z akumulátora unikať kvapalina. Zabráňte kontaktu. Pri náhodnom kontakte opláchnite vodou. Pri zasiahnutí očí vyhľadajte lekársku pomoc.** Unikajúca kvapalina z akumulátora môže spôsobiť podráždenie pokožky alebo popáleniny.
- e) **Nepoužívajte akumulátor alebo náradie, ktoré sú poškodené alebo upravené.** Poškodené alebo upravené akumulátory môžu mať nepredvídateľné chovanie, ktoré môže viesť k požiaru, výbuchu alebo nebezpečenstvu poranenia.
- f) **Nevystavujte akumulátor ani náradie ohňu alebo nadmernej teplote.** Pri vystavení ohňu alebo teplote nad 130 °C môže dôjsť k výbuchu.
- g) **Dodržujte všetky pokyny pre nabíjanie a nenabíjajte akumulátor alebo náradie mimo rozsah teplôt uvedených v pokynoch.** Nesprávne nabíjanie alebo nabíjanie pri teplotách mimo stanovený rozsah môže poškodiť akumulátor a zvýšiť riziko požiaru.
- 6) **SERVIS**
- a) **Náradie zverte do opravy kvalifikovanej osobe, ktorá použije iba originálne náhradné diely.** Zabezpečíte tak zachovanie bezpečnosti elektrického náradia.
- b) **Nikdy neopravujte poškodené akumulátory.** Servis akumulátorov smie robiť iba výrobca alebo autorizovaní servisní poskytovatelia.

## BEZPEČNOSTNÉ POKYNY PRE BEZKONTAKTNÉ VRATNÉ PILY

- **Elektrické náradie držte za izolované plochy rukovätí pri vykonávaní takej práce, pri ktorej by mohol nástroj natrafiť na skryté elektrické vedenia** (kontakt rezacieho príslušenstva s vedením, ktoré je pod napätím, môže spôsobiť, že aj kovové súčiastky náradia sa dostanú pod napätie, čo môže spôsobiť zásah operátora elektrickým prúdom)
- **Obrábaný predmet upevnite svorkami alebo iným praktickým spôsobom k stabilnému podstavcu** (obrábaný predmet nedržte iba v rukách ani oproti telu, pretože tak nemôžete zabezpečiť jeho stabilitu a môže sa vám vymknúť spod kontroly)

## PRÍSLUŠENSTVO

- SKIL zabezpečí hladký chod nástroja len ak sa používa pôvodné príslušenstvo
- Používajte iba príslušenstvo, u ktorého hodnota prípustných obrátok zodpovedá minimálne najvyšším obrátkam náradia

## PRED POUŽITÍM

- Zabráňte poškodeniu náradia skrutkami, klincami a inými kovovými predmetmi v obrobru; odstráňte ich predtým, než začnete pracovať
- **Na vyhľadanie skrytých elektrických vedení, plynových a vodovodných potrubí použite vhodné vyhľadávacie prístroje, alebo sa spojte s príslušným dodávateľom** (kontakt s elektrickým vedením môže mať za následok vznik požiaru alebo spôsobiť zásah elektrickým prúdom; poškodenie plynového potrubia môže spôsobiť výbuch; prevrtanie vodovodného potrubia spôsobí vecné škody, alebo môže spôsobiť zásah

elektrickým prúdom)

## BEZPEČNOSŤ OSŮB

- Tento nástroj nesmú používať osoby mladšie ako 16 rokov
- **Neobrábajte materiál, ktorý obsahuje azbest** (azbest sa považuje za rakovinotvorný materiál)
- Prach z materiálu, akým je náter obsahujúci olovo, niektoré druhy dreva, minerály a kovy môže byť škodlivý (kontakt alebo vdýchnutie prachu môže spôsobiť alergické reakcie a/alebo respiračné ochorenia obsluhy a okolostojacich osôb); **používajte ochrannú masku tváre a pracujte so zariadením na odsávanie prachu, ak je takéto zariadenie možné pripojiť**
- Určité druhy prachu sú klasifikované ako karcinogénne (napr. dubový a bukový prach), a to hlavne v spojení s prísadami na úpravu dreva; **používajte tvárovú ochrannú masku a pracujte so zariadením na odsávanie prachu, ak je takéto zariadenie možné pripojiť**
- Dodržujte stanovené nariadenia pre prácu v prašnom prostredí
- **Dbajte, aby ruky boli v dostatočnej vzdialenosti od miesta rezu i ostria, druhú ruku položte na prednú rukoväť D ②** (ak obe ruky držia pílu, tak vás list nemôže porezať)
- **Nepokúšajte sa chytať opracovaný predmet zospodu** (nedá sa vidieť, či sa druhá ruka nenachádza pri ostri)
- **Nikdy nedržte opracovaný predmet v rukách alebo na nohách** (dôležité je ho pevne pripevniť, aby sa telo čo najviac chránilo pred zaseknutím pilového listu kotúča alebo stratou kontroly)
- **Nepoužívajte tupé alebo poškodené listy** (ohnuté ostrie sa ľahko zlomí alebo spôsobí spätný ráz)
- **Pri odstraňovaní listu z náradia používajte ochranné rukavice** (po dlhšej činnosti môže byť pilový list horúci)
- Používajte ochranné okuliare a tlmiče hluku na uši

## AKUMULÁTORY

- **Dodaný akumulátor je čiastočne nabitý** (na zaručenie plnej kapacity akumulátora ho pred prvým zapnutím prístroja úplne nabíjate v nabíjačke)
- **S týmto náradím používajte len nasledujúce akumulátory a nabíjačky**
  - Akumulátor SKIL: BR1\*31\*\*\*\*
  - Nabíjačka SKIL: CR1\*31\*\*\*\*
- Nepoužívajte akumulátor, keď je poškodený; musí sa vymeniť
- Akumulátor nerozoberajte
- Náradie ani akumulátor nevystavujte dažďu
- Povolená teplota okolia (náradie/nabíjačka/akumulátor):
  - pri nabíjaní 4...40 °C
  - pri prevádzke - 20...+ 50 °C
  - pri skladovaní - 20...+ 50 °C

## VYSVETLENIE SYMBOLOV UMIESTNENÝCH NA NÁRADÍ/AKUMULÁTORE

- ③ Pred použitím si prečítajte návod na obsluhu
- ④ Akumulátory po vhození do ohňa vybuchnú a preto ich nevhadzujte do ohňa zo žiadneho dôvodu.
- ⑤ Náradie, nabíjačku a akumulátor skladujte na miestach, kde teplota neprekročí 50 °C
- ⑥ Nevhadzujte elektrické náradie a akumulátory do komunálneho odpadu

## POUŽITIE

- **Nabíjanie akumulátora**
  - ! **prečítajte si bezpečnostné výstrahy a pokyny dodané s nabíjačkou**
- Vybratie/inštalácia akumulátora ②
- Kontrolka nabitia akumulátora ⑦
  - stlačením tlačidla kontrolky nabitia akumulátora J zobrazíte aktuálny stav akumulátora ⑦a
  - ! **keď po stlačení tlačidla J ⑦b začne blikať najnižšia úroveň kontrolky, akumulátor je vybitý**
  - ! **keď po stlačení tlačidla J ⑦c začnú blikať 2 úrovně kontrolky akumulátora, akumulátor sa nenachádza v prípustnom rozsahu prevádzkových teplôt**
- Kombinovaný vypínač pre zapnutie/vypnutie a reguláciu rýchlosti s aretačným tlačidlom ⑧⑨
  - najprv odomknite stlačením tlačidla F
  - nástroj zapnete stlačením spínača G
  - rýchlosť plynule regulujte od 0 do maxima tým, že vyvíjate menší alebo väčší tlak na spínač
  - vypnite uvoľnením spínača G
- Aretačné tlačidlo F je možné aktivovať ⑧
  - ak je aktivované, vypínač je zablokovaný a zariadenie je zaistené pred náhodným zapnutím
- Zdvojené LED svetlo K ⑩
  - Zdvojené LED svetlo sa automaticky rozsvieti pri aktivácii spínača G
  - ! **keď LED svetlo začne blikať, aktivuje sa ochrana akumulátora (pozri nižšie)**
- Ochrana akumulátora
  - Náradie sa náhle vypína alebo sa nedá zapnúť v prípade, že
    - je príliš vysoká záťaž --> odstráňte záťaž a reštartujte
    - teplota akumulátora nie je v prípustnom rozsahu prevádzkových teplôt - 20 až + 50 °C --> 2 úrovně kontrolky stavu akumulátora začnú blikať po stlačení tlačidla J ⑦c; počkajte, kým sa akumulátor nevráti do povoleného rozsahu prevádzkových teplôt
    - akumulátor je takmer vybitý (na ochranu pred hlbokým vybitím) --> po stlačení tlačidla J sa na indikátore úrovně akumulátora zobrazí nízka úroveň nabitia akumulátora alebo blikanie nízkej úrovně nabitia akumulátora ub; nabíjate akumulátor
  - ! **potom ako sa náradie automaticky vypne, nestláčajte hlavný vypínač, môže sa poškodiť akumulátor**
- Montáž pilového listu ⑪
  - ! **pred nastavením alebo výmenou príslušenstva alebo vždy vytiahnite akumulátor**
  - stlačte svorku listu C v rovnakom smere, ako je šípka na nástroji a podržte ju v tejto polohe
  - zasunúť pilový list (zuby smerujú nadol alebo nahor) až na doraz
  - uvoľnite svorku pilového listu C
  - zatlačte, potiahnite list von a skontrolujte, či je správne umiestnený
- Vybratie listu píly ⑪
  - ! **pred nastavením alebo výmenou príslušenstva alebo vždy vytiahnite akumulátor**
  - stlačte svorku listu C v rovnakom smere, ako je šípka na nástroji a podržte ju v tejto polohe
  - vytiahnite list
  - uvoľnite svorku pilového listu C
- Používanie náradia

### ! dôkladne upevnite obrobok

- vyznačte na obrobku líniu rezu
- namontujte akumulátor do náradia
- položte jednu ruku na rukoväť H a druhú na izolované držadlo prednej rukoväte D

- zapnite nástroj
- ved'te náradie pozdĺž vyznačenej línie rezu
- vodiacu pätku B držte pevne na obrobku kvôli minimalizácii protipôsobiacej sily a vibrácií

- Držanie a vedenie náradia

### ! pri práci držte náradie vždy za sivo zafarbené úchopové oblasti ②

- nechajte vetracie štrbiny E nezakryté
- na nástroj príliš netlačte; nechajte nástroj robiť prácu za vás

### ! skontrolujte, či pilový list prečnieva za obrobkom v dostatočnej vzdialenosti ③

- Vedenie pätky ⑭

- stlačte aretačné tlačidlo F do uzamknutej polohy a potom vyberte akumulátor z náradia.
- pevne držte pílu a potom nasmerujte pätku B do požadovaného uhla, pričom dávajte pozor, aby ste sa vyhli kontaktu s pilovým listom.
- znovu vložte akumulátor a pripravte sa na rezanie

## APLIKAČNÉ RADY

- Zapichovací rez ⑮

Zapichovacie rezy je možné vykonávať do dreva a ďalších mäkkých materiálov, pričom nie je potrebné dopredu vyvŕtať otvor

- použite hrubý pilový list

### ! pred nastavením alebo výmenou príslušenstva alebo vždy vytiahnite akumulátor

- vyznačte na obrobku požadovanú líniu rezu
- náradie nakloňte tak, aby sa pilový list nedotýkal obrobku
- náradie zapnite a opatrne posúvajte pohybujúci sa pilový list do obrobku
- keď pilový list prenikne do obrobku, pokračujte v rezaní pozdĺž vyznačenej línie rezu

### ! zapichovacie rezy nie sú možné do kovových materiálov

- Použite vhodné pilové listy ⑯

- Pri rezaní kovov sa pilové listy musia pravidelne mazať olejom

- Rezanie bez rozštiepenia

- pred rezaním zakryte líniu rezu niekoľkými vrstvami širokej pásky
- vždy položte rezaný materiál tak, aby dobrá strana smerovala dole

- Ďalšie informácie nájdete na adrese [www.skil.com](http://www.skil.com)

## ÚDRŽBA/SERVIS

- Toto náradie nie je vhodné pre profesionálne použitie
- Náradie neustále udržiavajte čisté (najmä vetracie štrbiny E ②)

### ! pred čistením vyberte akumulátor z náradia

- Ak by náradie napriek starostlivej výrobe a kontrole predsa len prestalo niekedy fungovať, nechajte opravu vykonať v autorizovanej servisnej opravovni elektrického náradia SKIL
- pošlite náradie v nerozloženom stave spolu s dokladom

o kúpe vášmu predajcovi alebo najbližšej servisnej stanici SKIL (adresy a servisný diagram náradia sú uvedené na [www.skil.com](http://www.skil.com))

- Uvedomte si, že poškodenie spôsobené preťažením alebo nesprávnym zaobchádzaním bude zo záruky vylúčené (záručné podmienky spoločnosti SKIL nájdete na stránke [www.skil.com](http://www.skil.com) alebo si ich vyžiadajte u vášho predajcu)

## ŽIVOTNÉ PROSTREDIE

- Elektrické náradie, akumulátory, príslušenstvo a balenie nevyhadzujte do komunálneho odpadu (len pre štáty EÚ)
  - v súlade s európskou smernicou 2012/19/ES o odpade z elektrických a elektronických zariadení a jej implementácie v súlade s vnútroštátnymi právnymi predpismi musí byť elektrické náradie, ktoré dosiahlo koniec svojej životnosti, zbierané oddelene od ostatného odpadu a musí sa vrátiť do ekologického recyklačného zariadenia
  - pripomenie vám to symbol ⑥, keď nastane čas likvidácie

### ! pred likvidáciou prelepte vývody akumulátora hrubou páskou, aby ste zabránili skratu

## HLUK / VIBRÁCIE

- Hladina akustického tlaku tohto nástroja meraná v súlade s normou EN 62841 je **87 dB(A)** a hladina akustického výkonu **98 dB(A)** (neurčitost K = 3 dB) a vibrácie \*
  - \* rezanie dosky **10,58 m/s<sup>2</sup>**
  - \* rezanie drevených trámov **8,46 m/s<sup>2</sup>**
- Úroveň vibrácií bola nameraná v súlade so štandardizovanou skúškou uvedenou v EN 62841; môže sa použiť na porovnanie jedného náradia s iným a ako predbežné posúdenie vystavenia vibráciám pri použití náradia na uvedené aplikácie
  - používanie náradia na rôzne aplikácie alebo s rôznym alebo nedostatočne udržiavaným príslušenstvom môže výrazne **zvýšiť** úroveň expozície
  - časy, počas ktorých je náradie vypnuté, alebo počas ktorých náradie beží, ale v skutočnosti nevykonáva prácu, môžu značne znížiť úroveň expozície
- **! chráňte sa pred účinkami vibrácií tak, že budete náradie a jeho príslušenstvo správne udržiavať, že nebudete pracovať so studenými rukami a že si vaše pracovné postupy správne zorganizujete**

HR

## Akumulátorská sabljasta pila bez četkica

3475

## UVOD

- Ovak alat je predviđen za rezanje drva, plastike, metala i građevinskih materijala, kao i za orezivanje i obrezivanje drveća.
- Ovak alat nije predviđen za profesionalnu upotrebu.
- Pročitajte i sačuvajte ove upute za upotrebu. ③

## TEHNIČKI PODACI ①

## DIJELOVI ALATA ②

- A List pile
- B Zakretna stopica
- C Stezaljka za list pile
- D Zahvatna površina
- E Ventilacijski otvori
- F Blokirni gumb
- G Prekidač za uključivanje/isključivanje i regulaciju brzine
- H Ručka
- J Gumb indikatora razine napunjenosti baterije
- K Dva LED svjetla

## SIGURNOST

### OPĆA SIGURNOSNA UPOZORENJA ZA ELEKTRIČNE ALATE

**⚠ UPOZORENJE** Pročitajte sva sigurnosna upozorenja, sve upute, ilustracije i specifikacije isporučene s ovim električnim alatom. Zanemarivanje svih uputa navedenih u nastavku može rezultirati strujnim udarom, požarom i/ili teškim ozljedama.

### Sačuvajte sva upozorenja i sve upute za buduće potrebe.

Pojam "električni alat" u upozorenjima odnosi se na vaš električni alat na strujni pogon (s kabelom) ili električni alat na baterijski pogon (bez kabela).

#### 1) SIGURNOST RADNOG PODRUČJA

- a) Radno područje održavajte čistim i dobro osvijetljenim. Pretrpana ili mračna područja izazivaju nesreće.
- b) Električnim alatom nemojte rukovati u eksplozivnim atmosferama, primjerice u prisutnosti zapaljivih tekućina, plinova ili prašine. Električni alat stvara iskre koje mogu zapaliti prašinu ili isparenja.
- c) Udaljite djecu i promatrače za vrijeme rada s električnim alatom. Ometanja mogu rezultirati gubitkom kontrole nad alatom.

#### 2) ELEKTRIČNA SIGURNOST

- a) Utikači električnog alata moraju odgovarati utičnici. Nemojte nikada raditi preinake utikača. Utikače adaptera nemojte upotrebljavati s uzemljenim električnim alatima. Nepravilni utikači i odgovarajuće utičnice smanjit će rizik od električnog udara.
- b) Izbjegavajte kontakt tijela s uzemljenim površinama, kao što su cijevi, radijatori, peći i rashladni uređaji. Postoji povećan rizik od strujnog udara ako je vaše tijelo uzemljeno.
- c) Električni alat ne izlažite kiši ili mokrim uvjetima. Prodiranje vode u električni alat povećat će rizik od strujnog udara.
- d) Kabel ne upotrebljavajte nepropisno. Kabel nemojte nikada upotrebljavati za nošenje, povlačenje ili odspajanje električnog alata od strujnog napajanja. Kabel držite podalje od topline, ulja, oštih rubova ili pokretnih dijelova. Oštećeni ili isprepleteni kabeli povećavaju rizik od strujnog udara.
- e) Kada električnim alatom radite na otvorenom, upotrebljavajte produžni kabel prikladan za upotrebu na otvorenom. Upotrebom kabela prikladnog za upotrebu na otvorenom smanjuje se rizik od strujnog udara.

- f) Ako je rad s električnim alatom u području s parom neizbježan, upotrebljavajte napajanje sa zaštitnim uređajem diferencijalne struje (RCD). Upotrebom zaštitnog uređaja diferencijalne struje smanjuje se rizik od strujnog udara.

#### 3) OSOBNA SIGURNOST

- a) Budite oprezni, gledajte što radite i vodite se načelima zdravog razuma kada radite s električnim alatom. Nemojte raditi s električnim alatom ako ste umorni ili pod utjecajem opojnih sredstava, alkohola ili lijekova. Trenutak nepažnje tijekom rada s električnim alatom može rezultirati teškim osobnim ozljedama.
  - b) Upotrebljavajte osobnu zaštitnu opremu. Uvijek nosite zaštitu za oči. Zaštitna oprema poput maske za zaštitu od prašine, neklizajuće sigurnosne obuće, kacige ili zaštitne za sluh upotrijebljena za prikladne uvjete smanjit će tjelesne ozljede.
  - c) Spriječite nenamjerno pokretanje. Prije spajanja na izvor napajanja i/ili baterijski modul, uzimanja ili nošenja alata uvjerite se da se prekidač nalazi u isključenom položaju. Nošenje električnih alata s prstom na prekidaču ili napajanje električnih alata koji imaju uključen prekidač izaziva nesreće.
  - d) Prije uključivanja električnog alata, uklonite sve ključeve za podešavanje ili stezne ključeve. Ključ ili ključ za podešavanje ostavljen pričvršćen na rotacijski dio električnog alata može rezultirati tjelesnim ozljedama.
  - e) Nemojte se naginjati preko alata. Cijelo vrijeme održavajte propisno držanje i ravnotežu. To će omogućiti bolju kontrolu nad električnim alatom u neočekivanim situacijama.
  - f) Obucite se prikladno. Nemojte nositi široku odjeću i nakit. Kosu i odjeću držite podalje od pokretnih dijelova. Pokretni dijelovi mogu zahvatiti široku odjeću, nakit ili dugu kosu.
  - g) Ako su uređaji opremljeni priključkom za odvod i sakupljanje prašine, pobrinite se da se propisno spoje i upotrebljavaju. Upotrebom sustava za sakupljanje prašine mogu se umanjiti opasnosti koje se odnose na prašinu.
  - h) Nemojte dopustiti da vas poznavanje alata stečeno čestom upotrebom učini samodopadnim te da ignorirate sigurnosna načela za alat. Nepažljiv rad može rezultirati teškim ozljedama u djeliću sekunde.
- #### 4) UPOTREBA I NJEGA ELEKTRIČNOG ALATA
- a) Nemojte preopterećivati električni alat. Upotrebljavajte propisan električni alat za svoju primjenu. Propisan električni alat bolje će i sigurnije obaviti zadatak brzinom za koju je konstruiran.
  - b) Nemojte upotrebljavati električni alat ako ga prekidač ne uključuje i isključuje. Svaki električni alat koji se ne može kontrolirati prekidačem opasan je i potrebno ga je popraviti.
  - c) Prije podešavanja, zamjene dodatne opreme ili skladištenja električnih alata odspojite utikač od izvora napajanja i/ili uklonite baterijski modul, ako je odvojiv, s električnog alata. Takve preventivne sigurnosne mjere smanjuju rizik od iznenadnog pokretanja električnog alata.
  - d) Nekorištene električne alate skladištite izvan dohvata djece i nemojte dopustiti osobama koje ne poznaju električni alat ili ove upute da rukuju električnim alatom. Električni alati opasni su u rukama neobučениh korisnika.



- e) Održavajte električne alate i dodatnu opremu. Provjerite jesu li pokretni dijelovi centrirani ili spojeni, ima li polomljenih dijelova i postoji li stanje koje može utjecati na rad električnog alata. Ako je oštećen, električni alat dajte na popravak prije upotrebe. Loše održavani električni alati uzrok su mnogih nesreća.
- f) Rezne alate održavajte oštirim i čistima. Propisno održavani rezni alati s oštirim reznim bridovima manje su sklони zaglavlivanju i lakši su za upravljanje.
- g) Električni alat, dodatnu opremu i alatne nastavke i sl., upotrebljavajte u skladu s ovim uputama, uzimajući u obzir radne uvjete i zadatak koji je potrebno obaviti. Upotreba električnog alata za radove drukčija od namjenske može rezultirati opasnim situacijama.
- h) Rukohvate i površinu rukohvata održavajte suhim, čistim i očišćenim od ulja i masti. Skliski rukohvati i skliske površine rukohvata onemogućuju sigurno rukovanje i upravljanje alatom u neočekivanim situacijama.
- 5) UPOTREBA I NJEGA BATERIJSKOG ALATA**
- a) Punjenje obavljajte samo s punjačem kojeg je naveo proizvođač. Punjač koji je prikladan za jedan tip baterijskog modula može izazvati rizik od požara ako ga se upotrebljava s drugim baterijskim modulom.
- b) Električni alat upotrebljavajte samo s izričito propisanim baterijskim modulima. Upotreba drugih baterijskih modula može izazvati rizik od ozljeda i požara.
- c) Kada se baterijski modul ne upotrebljava, držite ga podalje od drugih metalnih predmeta poput spajalica za papir, kovanica, ključeva, čavala, vijaka ili drugih malih metalnih predmeta koji mogu međusobno spojiti kontakte. Kratko spajanje baterijskih kontakata može prouzročiti opekline ili požar.
- d) U slučaju neprimjerene upotrebe, baterija može izbaci tekućinu; izbjegavajte kontakt. Ako slučajno dođe do doticaja, zahvaćena mjesta isperite vodom. Ako tekućina dođe u doticaj s očima, dodatno potražite liječničku pomoć. Tekućina koju izbaci baterija može prouzročiti nadražaj kože ili opekline.
- e) Ne upotrebljavajte baterijski modul ili alat koji je oštećen ili preinačen. Oštećene ili preinačene baterije mogu pokazati nepredvidivo ponašanje koje može rezultirati požarom, eksplozijom ili opasnošću od ozljeda.
- f) Baterijski modul ili alat ne izlažite vatri ili visokim temperaturama. Izlaganje vatri ili temperaturi višoj od 130 °C može prouzročiti eksploziju.
- g) Pridržavajte se svih uputa za punjenje, a baterijski modul ili alat nemojte puniti izvan raspona temperature navedenog u uputama. Nepropisno punjenje ili punjenje pri temperaturama izvan okvira određenog raspona može oštetiti bateriju i povećati opasnost od požara.
- 6) SERVISIRANJE**
- a) Servisiranje električnog alata povjerite kvalificiranom osoblju za popravak koje upotrebljava samo identične zamjenske dijelove. Time će se osigurati održavanje sigurnosti električnog alata.
- b) Ne servisirajte oštećene baterijske module. Servisiranje baterijskog modula smiju obavljati samo proizvođač ili ovlašteni serviseri.

## SIGURNOSNE NAPOMENE ZA SABLJASTE PILE BEZ ČETKICA

- Kada obavljate radove gdje rezni pribor može doći

u kontakt sa sakrivenim ožičenjem (rezni pribor koji dođe u kontakt sa žicom pod naponom izložene metalne dijelove električnog alata može staviti pod napon i prouzročiti strujni udar), električni alat držite za izolirane površine ručke.

- **Upotrijebite stezaljke ili drugi praktičan način da pričvrstite i poduprete obradak na stabilnu platformu** (držanje obratka rukom ili uz tijelo čini ga nestabilnim, što može rezultirati gubitkom kontrole).

### PRIBOR

- SKIL može jamčiti besprijekoran rad alata samo ako se upotrebljava originalni pribor.
- Upotrebljavajte samo pribor s dopuštenom brzinom koja je u skladu s najmanje maksimalnom brzinom alata bez opterećenja.

### PRIJE UPOTREBE

- Izbjegavajte oštećenja koja mogu uzrokovati vijci, čavli i drugi elementi u vašem obratku; uklonite ih prije početka rada.
- **Upotrijebite odgovarajuće detektore za pronalazak skrivenih vodova ili nazovite lokalno poduzeće za pomoć** (kontakt s električnim vodovima može dovesti do požara ili strujnog udara; oštećenje plinskih cijevi može rezultirati eksplozijom; probijanje vodovodnih cijevi prouzročit će materijalnu štetu ili strujni udar).

### OSOBNJA SIGURNOST

- Ovaj alat ne smiju upotrebljavati osobe mlađe od 16 godina.
- **Nemojte obrađivati materijale koji sadrže azbest** (azbest se smatra kancerogenim).
- Prašina od materijala kao što su boje koje sadrže olovo, neke vrste drva, minerala i metala mogu biti štetni (kontakt s prašinom ili udisanje prašine može izazvati alergijske reakcije i/ili respiratorne bolesti kod rukovatelja ili prolaznika); **nosite masku za zaštitu od prašine i upotrebljavajte uređaj za odvod prašine kada se može priključiti.**
- Određene vrste prašine klasificirane su kao kancerogene (npr. prašina hrasta i bukve), posebno u kombinaciji s aditivima za obradu drva; **nosite masku za zaštitu od prašine i upotrebljavajte uređaj za odvod prašine kada se može priključiti.**
- Pridržavajte se nacionalnih zahtjeva za prašinu za materijale s kojima namjeravate raditi.
- **Držite ruke podalje od područja rezanja i lista pile; drugu ruku držite na zahvatnoj površini D** ②. (Ako pilu držite objema rukama, list pile vas ne može porezati.)
- **Nemojte posezati ispod obratka** (blizina lista pile i vaše ruke nije u vašem vidokrugu).
- **Tijekom rezanja obradak nemojte nikada držati u rukama ili preko noge** (pravilno podupiranje obratka važno je kako bi se na najmanju mjeru svelo izlaganje tijela, savijanje lista pile ili gubitak kontrole).
- **Nemojte upotrebljavati tupe ili oštećene listove pile** (savijeni listovi pile mogu se lako polomiti ili prouzročiti povratni udar).
- **Pri uklanjanju lista pile iz alata nosite zaštitne rukavice** (list pile može biti vruć nakon dulje upotrebe).
- Nosite zaštitne naočale i zaštitu za sluh.

### BATERIJE

- **Isporučena baterija djelomično je napunjena** (kako biste osigurali potpuni kapacitet baterije, prije prve upotrebe električnog alata bateriju potpuno napunite u punjaču baterije).
- **S ovim alatom upotrebljavajte samo sljedeće baterije i punjače:**



- SKIL baterija: BR1\*31\*\*\*\*
- SKIL punjač: CR1\*31\*\*\*\*
- Nemojte upotrebljavati oštećenu bateriju; oštećenu bateriju potrebno je zamijeniti.
- Nemojte rastavljati bateriju.
- Alat/bateriju nemojte izlagati kiši.
- Dopuštena temperatura okruženja (alat/punjač/baterija):
  - pri punjenju 4...40 °C
  - tijekom rada -20...+50 °C
  - tijekom skladištenja -20...+50 °C

#### OBJAŠNENJE SIMBOLA NA ALATU/BATERIJI

- ③ Prije upotrebe pročitajte upute za upotrebu.
- ④ Baterije mogu eksplodirati ako se odlože u vatru, stoga ih nemojte spaljivati.
- ⑤ Alat/punjač/bateriju skladištite na mjestima gdje temperatura ne prelazi 50 °C.
- ⑥ Električne alate i baterije nemojte zbrinjavati s kućnim otpadom.

## UPOTREBA

- Punjenje baterije
  - ! **Pročitajte sigurnosna upozorenja i upute isporučene s punjačem.**
- Uklanjanje/ulaganje baterije ②
- Indikator razine napunjenosti baterije ⑦
  - Za prikaz trenutne razine napunjenosti baterije ⑦a pritisnite gumb indikatora razine napunjenosti baterije J.
  - ! **Kada nakon pritiska na gumb J ⑦b najniža razina indikatora razine napunjenosti baterije počne treperiti, baterija je prazna.**
  - ! **Kada nakon pritiska na gumb J ⑦c 2 razine indikatora razine napunjenosti baterije počnu treperiti, baterija nije u okviru dopuštenog raspona radne temperature.**
- Kombinirani prekidač za uključivanje/isključivanje i regulaciju brzine s blokirnim gumbom ⑧ ⑨
  - Najprije odblokirajte pritiskom na gumb F.
  - Uključite alat povlačenjem okidača G.
  - Kontinuirano regulirajte brzinu od nule do maksimuma manjim ili većim pritiskom na okidač.
  - Isključite alat otpuštanjem okidača G.
- Blokirni gumb F može se aktivirati ⑧.
  - Ako se aktivira, prekidač za uključivanje/isključivanje se blokira, a uređaj je osiguran od nenamjernog uključivanja.
- Dva LED svjetla K ⑩
  - Dva LED svjetla automatski svijetle kada se aktivira prekidač G.
  - ! **Kada LED svjetla počnu treperiti, aktivira se zaštita baterije (vidjeti u nastavku).**
- Zaštita baterije
  - Alat se iznenada isključuje ili se neće uključiti kada
    - **je opterećenje previsoko** --> uklonite opterećenje i ponovno pokrenite
    - **temperatura baterije nije u okviru dopuštenog raspona radne temperature od -20 °C do +50 °C** --> 2 razine indikatora razine napunjenosti baterije počinju treperiti kada se pritisne gumb J ⑦c; pričekajte da se baterija vrati u dopušteni raspon radne temperature.
    - **je baterija skoro prazna (za zaštitu od dubokog pražnjenja)** --> kada pritisnete gumb J, indikator razine napunjenosti baterije prikazuje nisku razinu baterije ili trepereću nisku razinu napunjenosti ub; napunite

bateriju.

! **Nemojte nastaviti pritiskati prekidač za uključivanje/isključivanje nakon automatskog isključivanja alata; može se oštetiti baterija.**

- Postavljanje lista pile ⑪
  - ! **Prije podešavanja ili zamjene pribora uklonite bateriju iz alata.**
  - Okrenite stezaljku za list pile C u smjeru strelice na alatu i držite je u tom položaju.
  - Umetnite list pile (sa zupcima okrenutima prema dolje ili gore) do pune dubine.
  - Otpustite stezaljku za list pile C.
  - Gurnite list pile unutra i izvucite ga da provjerite je li dobro učvršćen.
- Uklanjanje lista pile ⑪
  - ! **Prije podešavanja ili zamjene pribora uklonite bateriju iz alata.**
  - Okrenite stezaljku za list pile C u smjeru strelice na alatu i držite je u tom položaju.
  - Izvucite list pile.
  - Otpustite stezaljku za list pile C.
- Rukovanje alatom
  - ! **Čvrsto stegnite obradak.**
  - Označite liniju rezanja na obratku.
  - Postavite bateriju u alat.
  - Jednom rukom držite alat za ručku H, a drugom za izoliranu zahvatnu površinu D.
  - Uključite alat.
  - Alat vodite duž označene linije rezanja.
  - Zakretnu stopicu B čvrsto držite uz obradak kako biste na najmanju mjeru sveli otpor i vibracije.
- Držanje i vođenje uređaja
  - ! **Tijekom rada alat uvijek držite za sivo područje ručke ⑫**
  - Ventilacijske otvore E držite nepokrivenima.
  - Nemojte previše pritiskati alat; neka alat obavi posao umjesto vas.
- ! **Vodite računa da list pile strši preko obratka tijekom cijelog hoda ⑬**
- Zakretanje stopice ⑭
  - Pritisnite blokirni gumb F u blokirani položaj, a zatim izvadite baterijski modul iz alata.
  - Čvrsto držite pilu, a zatim zakrenite stopicu B u željeni kut i pritom izbjegavajte kontakt s listom pile.
  - Ponovno postavite bateriju i pripremite alat za rezanje.

## SAVJETI ZA PRIMJENU

- Rezanje uranjanjem ⑮
  - Rezovi uranjanjem mogu se raditi u drvu i ostalim mekim materijalima bez prethodnog bušenja rupe.
  - Upotrebljavajte debeli list pile.
  - ! **Prije podešavanja ili zamjene pribora uklonite bateriju iz alata.**
  - Označite željenu liniju rezanja na obratku.
  - Nagnite alat tako da list pile ne dotiče obradak.
  - Uključite alat i pažljivo započnite s radom pomicanjem lista pile u obradak.
  - Kada list pile proдре u obradak, nastavite s piljenjem duž označene linije rezanja.
- ! **Rezove uranjanjem nemojte raditi na metalnim materijalima.**
- Upotrebljavajte prikladne listove pile ⑯
- Kada režete metale, list pile redovito podmazujte uljem.

- Rezanje bez krhotina
  - Prije rezanja pokrijite liniju rezanja s nekoliko slojeva široke trake.
  - Dobru stranu obratka uvijek okrenite prema dolje.
- Više informacija potražite na internetskoj stranici [www.skil.com](http://www.skil.com).

## ODRŽAVANJE/SERVISIRANJE

- Ovaj alat nije predviđen za profesionalnu upotrebu.
- Održavajte čistoću alata (osobito otvore za ventilaciju E ②)
  - ! **Prije čišćenja izvadite bateriju iz alata.**
- Ako se dogodi da je alat neispravan unatoč pažljivoj proizvodnji i testiranju, popravak treba obaviti ovlašteni servisni centar za električne alate proizvođača SKIL.
  - Pošaljite nerastavljen uređaj zajedno s dokazom o kupnji svom prodavaču ili najbližem servisu SKIL (adrese i servisni dijagram alata možete pronaći na [www.skil.com](http://www.skil.com)).
- Imajte na umu da je šteta zbog preopterećenja ili nepravilnog rukovanja alatom isključena iz jamstva (pogledajte uvjete jamstva proizvođača SKIL na [www.skil.com](http://www.skil.com) ili obratite se svom zastupniku).

## ZAŠTITA OKOLIŠA

- Električne alate, baterije, pribor i ambalažu nemojte zbrinjavati s kućnim otpadom (samo za zemlje EU).
  - U skladu s europskom Direktivom 2012/19/EZ o otpadnoj električnoj i elektroničkoj opremi i njenoj implementaciji u nacionalno zakonodavstvo, električni alati koji su dostigli kraj radnog vijeka moraju se odvojeno prikupljati i slati na ekološki prihvatljivo recikliranje.
  - Simbol ⑥ će vas podsjetiti kada trebate obaviti zbrinjavanje.
- ! **Prije zbrinjavanja zaštitite kontakte baterije debelom ljepljivom trakom da spriječite kratki spoj.**

## BUKA/VIBRACIJE

- Izmjereno u skladu s normom EN 62841, razina zvučnog tlaka ovog alata je 87 dB(A), a razina zvučne snage je 98 dB(A) (nesigurnost K = 3 dB), a vibracija \* (zbroy vektora troosnog sustava; nesigurnost K = 1,5 m/s<sup>2</sup>)
  - \* rezanje ploča 10,58 m/s<sup>2</sup>
  - \* rezanje drvenih greda 8,46 m/s<sup>2</sup>
- Razina emisije vibracija izmjerena je u skladu sa standardiziranim testom prema normi EN 62841; može se upotrebljavati za usporedbu jednog alata s drugim i kao preliminarna procjena izloženosti vibracijama pri upotrebi alata za navedene primjene.
  - Upotreba alata za različite primjene ili s različitim ili loše održanim priborom može značajno povećati razinu izloženosti.
  - Vrijeme kada je alat isključen ili kada je uključen ali se ne upotrebljava, može značajno smanjiti razinu izloženosti.
- ! **Zaštitite se od utjecaja vibracija održavanjem alata i pripadajućeg pribora, održavanjem topline ruku i organiziranjem radnih obrazaca.**

SRB

## Bežična recipročna testera bez četkica

3475

### UVOD

- Ovaj alat je namenjen za sečenje drveta, plastike, metala i građevinskih materijala kao i za rezanje i potkresivanje drveća.
- Ovaj alat nije namenjen za profesionalnu upotrebu.
- Pročitajte i sačuvajte ovo uputstvo za rukovanje.③

### TEHNIČKI PODACI ①

### ELEMENTI ALATA ②

- A Sečivo
- B Pokretna papučica
- C Spona sečiva
- D Držać
- E Prorezi za ventilaciju
- F Dugme za zaključavanje
- G Prekidač za uključivanje/isključivanje i kontrolu brzine
- H Ručka
- J Dugme indikatora nivoa baterije
- K Dva LED svetla

### SIGURNOST

#### OPŠTA SIGURNOSNA UPOZORENJA ZA ELEKTRIČNI ALAT

**⚠ UPOZORENJE** Pročitajte sva sigurnosna upozorenja, uputstva, ilustracije i specifikacije priložene uz ovaj električni alat. Nepridržavanje svih dole navedenih uputstava može da dovede do strujnog udara, požara i/ili ozbiljne povrede.

#### Sačuvajte sva upozorenja i uputstva za buduću upotrebu.

Pojam „električni alat“ u upozorenjima označava električni alat (sa žicom) koji se uključuje u utičnicu ili električni alat (bežični) na baterije.

#### 1) BEZBEDNOST NA RADNOM PODRUČJU

- a) **Održavajte radno područje čistim i dobro osvetljenim.** Na pretrpanim ili mračnim područjima su veće šanse da dođe do nezgoda.
- b) **Ne koristite električne alate u eksplozivnim atmosferama, kao na primer u prisustvu zapaljivih tečnosti, gasova ili prašine.** Električni alat stvara varnice koje mogu zapaliti prašinu ili isparenja.
- c) **Držite decu i prolaznike podalje dok koristite električni alat.** Ako vam nešto odvrti pažnju, možete izgubiti kontrolu.

#### 2) ELEKTRIČNA BEZBEDNOST

- a) **Utikaç električnog alata mora odgovarati utičnici. Nikada ne modifikujete utikač ni na koji način. Ne koristite adapterske utikače sa uzemljenim električnim alatom. Nemodifikovani utikači i**

odgovarajuće utičnice će smanjiti rizik od strujnog udara.

**b) Izbegavajte kontakt delova tela sa uzemljenim površinama, poput cevi, radijatora, šporeta i frižidera.** Postoji povećan rizik od strujnog udara ako je vaše telo uzemljeno.

**c) Ne izlažite električne alate kiši ili mokrim uslovima.** Voda koja uđe u električni alat povećaće rizik od strujnog udara.

**d) Nemojte zloupotrebljavati kabl.** Nikada ne koristite kabl za nošenje, vučenje ili isključivanje iz utičnice električnog alata. Čuvajte kabl podalje od toplote, ulja, oštrih ivica ili pokretnih delova. Oštećen ili upetljan kabl povećava rizik od strujnog udara.

**e) Kada koristite električni alat na otvorenom prostoru, koristite produžni kabl pogodan za korišćenje na otvorenom prostoru.** Upotreba kabla pogodnog za korišćenje na otvorenom prostoru smanjuje rizik od strujnog udara.

**f) Ako je korišćenje električnog alata u vlažnom području neizbežno, koristite izvor napajanja sa zaštitnim uređajem diferencijalne struje (RCD).** Korišćenje RCD smanjuje rizik od strujnog udara.

### 3) LIČNA BEZBEDNOST

**a) Zdravite u pripravnosti, pazite šta radite i koristite zdrav razum kada koristite električni alat. Ne koristite električni alat kada ste umorni ili pod uticajem droga, alkohola ili lekova.** Trenutak nepažnje kada koristite električni alat je dovoljan da izazove ozbiljne telesne povrede.

**b) Koristite ličnu zaštitnu opremu. Uvek nosite zaštitu za oči.** Zaštitna oprema poput maske za prašinu, radnih cipela koje se ne klišu, šlema ili zaštitne sluha će, kada se koristi za odgovarajuće uslove, smanjiti telesne povrede.

**c) Sprečite nehotično pokretanje. Osigurajte da prekidač bude u isključenom položaju pre povezivanja na izvor napajanja i/ili bateriju, podizanja ili nošenja alata.** Nošenje električnih alata sa prstom na prekidaču ili uključivanje u utičnicu električnih alata čiji prekidač je u uključenom položaju priziva nezgode.

**d) Uklonite sve ključeve za podešavanje pre uključivanja električnog alata.** Ključ koji ostane pričvršćen za rotacioni deo električnog alata može da izazove telesnu povredu.

**e) Ne presežite. U svakom trenutku održavajte pravilan položaj nogu i ravnotežu.** To omogućava bolju kontrolu električnog alata u neočekivanim situacijama.

**f) Prikladno se obucite. Ne nosite labavu odeću niti nakit.** Držite kosu i odeću dalje od pokretnih delova. Labava odeća, nakit ili duga kosa mogu da se zakače pokretnim delovima.

**g) Ako su priloženi uređaji za povezivanje delova za izbacivanje i prikupljanje prašine, osigurajte da oni budu povezani i da se pravilno koriste.** Upotreba kolektora prašine može da smanji opasnosti koje izaziva prašina.

**h) Ne dozvolite da zbog poznavanja koje ste stekli kroz čestu upotrebu alata postanete samozadovoljni i ignorišete principe bezbednosti alata.** Nemarni postupak može da izazove ozbiljnu povredu u deliću sekunde.

### 4) UPOTREBA I ODRŽAVANJE ELEKTRIČNOG ALATA

**a) Ne silite električni alat. Koristite odgovarajući**

**električni alat za ono što radite.** Odgovarajući električni alat uradiće posao bolje i bezbednije onom brzinom za koju je dizajniran.

**b) Ne koristite električni alat ako ga prekidač ne uključuje i isključuje.** Svaki električni alat koji se ne može kontrolisati prekidačem je opasan i mora se popraviti.

**c) Izvucite utikač iz izvora napajanja i/ili izvadite bateriju, ako je odvojiva, iz električnog alata pre bilo kakvog podešavanja, menjanja dodataka ili skladištenja električnog alata.** Takve preventivne sigurnosne mere smanjuju rizik od nehotičnog pokretanja električnog alata.

**d) Skladištite isključene električne alate van domašaja dece i ne dozvolite osobama koje nisu upoznate sa ovim električnim alatom ili ovim uputstvom da rukuju električnim alatom.** Električni alat je opasan u rukama nekvalifikovanih korisnika.

**e) Održavajte električni alat i dodatke. Proverite pravilno poravnanje ili spojeve pokretnih delova, lomljenje delova i sva druga stanja koja mogu da utiču na rad električnog alata.** Ako je oštećen, odnesite električni alat na popravku pre upotrebe. Mnoge nezgode su izazvane loše održanim električnim alatom.

**f) Održavajte alate koji seku oštrim i čistim.** Pravilno održavani alati za sečenje sa oštrim ivicama za sečenje se ređe zapetljavaju i lakše se kontrolišu.

**g) Koristite električni alat, dodatke, delove itd. u skladu sa ovim uputstvom, uzimajući u obzir radne uslove i rad koji treba obaviti.** Korišćenje električnog alata za rad drugačiji od predviđenog moglo bi da dovede do opasne situacije.

**h) Održavajte drške i površine koje hvatate suvim, čistim i bez ulja i masnoće.** Klizave drške i površine koje hvatate ne omogućavaju bezbedno rukovanje i kontrolu alata u neočekivanim situacijama.

### 5) UPOTREBA I ODRŽAVANJE ALATA NA BATERIJE

**a) Punite samo punjačem koji navodi proizvođač.** Punjač koji je prikladan za jedan tip baterije može da stvori opasnost od požara kad se koristi sa nekom drugom baterijom.

**b) Koristite električni alat samo sa konkretno imenovanim baterijama.** Upotreba bilo kakvih drugih baterija može da stvori rizik od povrede i požara.

**c) Kad se baterija ne koristi, držite je dalje od drugih metalnih predmeta, poput spajalica, novčića, ključeva, eksera, vijaka ili drugih malih metalnih predmeta koji mogu da naprave spoj jednog terminala sa drugim.** Kratak spoj terminala baterije može da izazove opekotine ili požar.

**d) U ekstremnim uslovima može doći do curenja tečnosti iz baterije; izbegavajte kontakt sa njom. Ako dođe do nehotičnog kontakta, isperite vodom. Ako tečnost dođe u kontakt sa očima, takođe potražite i medicinsku pomoć.** Tečnost iz baterije može da izazove iritaciju ili opekotine.

**e) Ne koristite bateriju ili alat koji su oštećeni ili modifikovani.** Oštećene ili modifikovane baterije mogu da ispolje nepredvidivo ponašanje, dovodeći do požara, eksplozije ili rizika od povrede.

**f) Ne izlažite bateriju ili alat vatri ili previsokoj temperaturi.** Izlaganje vatri ili temperaturi iznad 130 °C

može izazvati eksploziju.

- g) **Pratite sva uputstva za punjenje i ne puniti bateriju ili alat izvan temperaturnog opsega navedenog u uputstvima.** Punjenje na nepravilan način ili na temperaturama izvan navedenog opsega može da ošteti bateriju i poveća rizik od požara.
- 6) **SERVIS**
- a) **Odnosite električni alat na servisiranje kod kvalifikovanog servisera koji će koristiti samo identične rezervne delove.** To će osigurati da bezbednost električnog alata bude održana.
- b) **Nikad ne servisirajte oštećene baterije.** Servisiranje baterija treba da radi samo proizvođač ili ovlašćeni servis.

## SIGURNOSNA UPUTSTVA ZA RECIPROČNE TESTERE BEZ ČETKICA

- **Hvatajte električni alat za izolovane hvataljke, ako izvodite radove, kod kojih pribor za sečenje može da dodirne skrivene vodove struje** (pribor za sečenje koji dođe u kontakt sa vodom koji provodi napon stavlja i metalne delove električnog alata pod napon, usled čega rukovalac može doživeti električni udar)
- **Koristite stege ili neki drugi praktičan način da učvrstite i podržite materijal koji obrađujete na stabilnoj platformi** (držanje materijala koji obrađujete rukom ili naslonjenog na sebe nije stabilno i može dovesti do gubitka kontrole)

## PRIBOR

- SKIL može priznati garanciju samo ukoliko je korišćen originalni pribor
- Koristite samo pribor čija je dozvoljena brzina u najmanju ruku jednaka najvećoj brzini pri praznom hodu električnog alata

## PRE UPOTREBE

- Izbegavajte oštećenja od šrafova, eksera i drugih predmeta na vašem području rada; uklonite ih pre nego što započnete rad
- **Koristite odgovarajuće detektore da biste pronašli skrivene vodove ili pozovite lokalnu kompaniju radi pomoći** (dodir sa električnim vodovima može dovesti do požara ili strujnog udara; oštećivanje gasnog voda može dovesti do eksplozije; probijanje vodovodne cevi će izazvati imovinsku štetu ili strujni udar)

## LIČNA BEZBEDNOST

- Ovaj alat ne treba da koriste osobe ispod 16 godina
- **Ne radite sa materijalima koji sadrže azbest** (azbest se smatra karcinogenim)
- Prašina od materijala poput farbe koja sadrži olovo, nekih vrsta drveta, minerala i metala može biti škodljiva (dodir sa tom prašinom ili njeno udisanje mogu izazvati alergijske reakcije i/ili respiratorne bolesti kod rukovaoca ili posmatrača); **nosite masku za prašinu i radite sa uređajem za uklanjanje prašine kad ga je moguće spojiti**
- Određene vrste prašine se klasifikuju kao karcinogene (poput prašine od hrasta i bukve), naročito u kombinaciji sa aditivima za kondicioniranje drveta; **nosite masku za prašinu i radite sa uređajem za uklanjanje prašine kad ga je moguće spojiti**
- Prati nacionalne propise vezane za prašinu koja se proizvodi prilikom rada na obrađivanim materijalima
- **Šake držite dalje od oblasti sečenja i sečiva; drugu šaku držite na držaču D** (ako obe šake drže testeru,

sečivo ih ne može poseći)

- **Ne posežite ispod materijala koji obrađujete** (nećete moći da vidite blizinu sečiva vašoj šaci)
- **Nikad ne držite materijal koji sećete u šakama ili preko noge** (važno je pravilno podupreti materijal da biste smanjili izloženost delova tela, zaglavljivanje sečiva ili gubitak kontrole)
- **Ne koristite tupo ili oštećeno sečivo** (iskrivljena sečiva mogu lako da puknu ili da izazovu povratni udarac)
- **Koristite zaštitne rukavice kad skidate sečivo sa alata** (sečivo testere može da bude vruće posle produžene upotrebe)
- Nosite zaštitne naočari i zaštitu za sluh

## BATERIJE

- Baterija se isporučuje delimično napunjena (da biste osigurali pun kapacitet baterije, bateriju napunite do kraja u punjaču baterije pre prvog korišćenja električnog alata)
- Koristite samo sledeće baterije i punjače sa ovim alatom
  - SKIL baterija: BR1\*31\*\*\*\*
  - SKIL punjač: CR1\*31\*\*\*\*
- Nemojte koristiti oštećenu bateriju; treba je zameniti
- Nemojte da rastavljate bateriju
- Nemojte izlagati alat/bateriju kiši
- Dozvoljena ambijentalna temperatura (alat/punjač/baterija):
  - tokom punjenja od 4 do 40 °C
  - tokom rada od -20 do +50 °C
  - tokom skladištenja od -20 do +50 °C

## OBJAŠNJENJE SIMBOLA NA ALATU/BATERIJI

- ③ Pročitajte uputstvo za korišćenje pre prve upotrebe
- ④ Baterije će eksplodirati ako se izlože vatri, zato nikada ne palite baterije
- ⑤ Čuvajte alat/punjač/bateriju na mestima gde temperatura neće preći 50 °C
- ⑥ Ne odlažite električne alate i baterije u kućni otpad

## UPUTSTVO ZA KORIŠĆENJE

- **Punjenje baterije**
  - ! **pročitajte bezbednosna upozorenja i uputstva priložena uz punjač**
  - Uklanjanje/installiranje baterije ②
  - Indikator nivoa baterije ⑦
    - pritisnite dugme indikatora nivoa baterije J da bi se prikazao trenutni nivo baterije ⑦a
    - ! **kada najniži nivo indikatora baterije počne da treperi nakon pritiska dugmeta J ⑦b, baterija je prazna**
    - ! **kada 2 nivoa indikatora baterije počnu da trepere nakon pritiska na dugme J ⑦c, baterija nije u dozvoljenom opsegu radne temperature**
  - Kombinovani prekidač za uključivanje/isključivanje i kontrolu brzine sa dugmetom za zaključavanje ⑧⑨
    - prvo otključajte pritiskom na dugme F
    - uključite alat povlačenjem okidača G
    - možete kontrolisati brzinu od najmanje do najveće menjanjem pritiska na obaraču
    - isključite otpuštanjem okidača G
  - Dugme za zaključavanje F se može aktivirati ⑧
    - ako se aktivira, prekidač za uključivanje/isključivanje je blokiran i mašina je osigurana da se nenamerno uključi
  - Dva LED svetla K ⑩
    - Dva LED svetla se automatski uključuju kad se aktivira prekidač G

**! kada LED svetla počnu da trepere, aktivira se zaštita baterije ( pogledajte ispod)**

- Zaštita baterije  
Alat se iznenada isključuje ili ne može da se uključi kada je
  - opterećenje je preveliko -> uklonite opterećenje i restartujte
  - temperatura baterije nije u dozvoljenom radnom opsegu temperature od **-20 do +50 °C** --> 2 nivoa indikatora za nivo baterije počinju da trepere kada pritisnete dugme J ⑦c; sačekajte dok se baterija ne vrati u dozvoljeni radni opseg temperature
  - baterija je skoro prazna (za zaštitu od prekomernog praznjenja) --> nizak nivo baterije ili treperenje za nizak nivo baterije ub se prikazuju na indikatoru za nivo baterije kada se pritisne dugme J; napunite bateriju
- **! nemojte nastaviti da pritiskate prekidač za uključivanje/isključivanje nakon automatskog isključivanja alata; baterija se može oštetiti**
- Montiranje sečiva testere ⑪
  - **! uklonite bateriju iz alata pre svakog podešavanja ili promene pribora**
    - okrenite sponu C sečiva u istom smeru kao strelica na alatu i držite je u tom položaju.
    - ubacite sečivo (sa zupcima okrenutim nadole ili nagore) do kraja
    - otpustite sponu C sečiva
    - pokušajte da pomerite sečivo da biste proverili da li je ispravno zaključano
  - Uklanjanje sečiva testere ⑪
    - **! uklonite bateriju iz alata pre svakog podešavanja ili promene pribora**
      - okrenite sponu C sečiva u istom smeru kao strelica na alatu i držite je u tom položaju.
      - izvucite sečivo
      - otpustite sponu C sečiva
    - Rukovanje alatom
      - **! bezbedno učvrstite predmet na kom radite**
        - obeležite liniju sečenja na području rada
        - montirajte bateriju na alat
        - držite alat jednom rukom za dršku H a drugom za izolovani držač D
        - uključite alat
        - prevlačite alat preko označene linije sečenja
        - držite pokretnu papučicu B čvrsto uz predmet koji obrađujete da biste smanjili povratnu silu i vibraciju
      - Držanje i upravljanje alata
        - **! tokom rada, uvek držite alat za područja za hvatanje sive boje** ⑫
          - prerezi za hlađenje E moraju da budu otvoreni
          - ne pritiskati alat previše; pustite da alat sam radi
        - **! osigurajte da se sečivo testere pruža izvan materijala tokom celog poteza** ⑬
      - Pomeranje papučice ⑭
        - pritisnite dugme za zaključavanje F u zaključani položaj a potom izvadite bateriju iz alata.
        - čvrsto držite testeru i onda pomerite papučicu B u željeni ugao, istovremeno vodeći računa da izbegnete kontakt sa sečivom.
        - ponovo instalirajte bateriju i pripremite se za sečenje

## SAVETI ZA PRIMENU

- Uronjeno sečenje ⑮  
Uronjeni rezovi se mogu načiniti u drvetu i ostalim mekim materijalima bez prethodnog bušenja rupe
  - koristite čvrsto sečivo testere
- **! uklonite bateriju iz alata pre svakog podešavanja ili promene pribora**
  - obeležite željenu liniju sečenja na području rada
  - nagnite alat tako da sečivo ne dodiruje područje rada
  - uključite alat i pažljivo ubacite sečivo testere u pokretu u područje rada
  - kada sečivo proreže područje rada, nastavite sa sečenjem duž obeležene linije sečenja
- **! nemojte praviti uronjene rezove u metalnim materijalima**
  - Koristite odgovarajuća sečiva testere ⑮
  - Kada sečete metal stavite sečivo podmazano uljem
  - Sečenje bez krhotina
    - prekriti liniju sečenja višeslojnim ili širokim trakama pre sečenja
    - lice materijala je okrenuto naniže na radnom mestu
  - Za više informacija pogledajte [www.skil.com](http://www.skil.com)

## ODRŽAVANJE / SERVIS

- Ovaj alat nije namenjen za profesionalnu upotrebu
- Uvek održavajte alat čistim (posebno otvore za ventilaciju E ②)
- **! pre čišćenja uklonite bateriju iz alata**
- Ako bi alat i pored brižljivog postupka izrade i kontrole nekada otkazao, popravku mora vršiti neki autorizovani servis za SKIL električne alate
  - pošaljite nerasklopljeni alat zajedno sa dokazom kupovine vašem prodavcu ili najbližoj SKIL servisnoj stanici (adrese kao i servisni dijagram alata možete naći na [www.skil.com](http://www.skil.com))
- Imajte na umu da za oštećenja nastala usled preopterećivanja ili nepravilnog rukovanja neće važiti garancija (za uslove SKIL garancije posetite [www.skil.com](http://www.skil.com) ili pitajte svog prodavca)

## ZAŠTITA OKOLINE

- Električne alate, baterije, pribor i ambalažu ne odlažite u kućne otpatke (samo za EU-države)
  - prema Evropskoj direktivi 2012/19/EC o otpadnoj električnoj i elektronskoj opremi i njenoj primeni u skladu sa nacionalnim zakonodavstvom, električni alati koji su došli do kraja svog radnog veka moraju biti prikupljeni zasebno i oduzeti u ekološki pogon za reciklažu
  - simbol ⑥ će vas podsetiti na to kada se potreba za odlaganjem pojavi
- **! da bi se izbegli kratki spojevi, terminale baterije treba zaštititi debljom samolepljivom trakom pre odlaganja na otpad**

## BUKA / VIBRACIJA

- Mereno u skladu sa EN 62841, nivo zvučnog pritiska ovog alata je **87 dB(A)**, nivo zvučne snage je **98 dB(A)** (nesigurnost K = 3 dB), a vibracija je \* (troosni vektorski zbir; nesigurnost K = 1,5 m/s<sup>2</sup>)
  - \* sečenje ploče **10,58 m/s<sup>2</sup>**
  - \* sečenje drvenih greda **8,46 m/s<sup>2</sup>**
- Nivo emisije vibracija izmeren je u skladu sa



standardizovanim testom datim u EN 62841; on se može koristiti za upoređenje jedne alatke sa drugom, kao i za preliminarnu procenu izloženosti vibracijama pri korišćenju ove alatke za pomenute namene

- korišćenje alata u drugačije svrhe ili sa drugačijim ili slabo održavanim priborom može značajno **povećati** nivo izloženosti

- vreme kada je alat isključen ili kada je uključen ali se njime ne radi može značajno smanjiti nivo izloženosti

**! zaštitite se od posledica vibracija tako što ćete održavati alat i pribor, voditi računa da vam ruke budu tople i organizovati svoj rad**

SL0

## Brezkrtlačna akumulatorska sabljasta krožna žaga 3475

### UVOD

- To orodje je namenjeno rezanju lesa, plastike, kovine in gradbenih materialov ter obrezovanju dreves.
- To orodje ni namenjeno profesionalni uporabi.
- Preberite ta navodila za uporabo in jih shranite.③

### TEHNIČNI PODATKI ①

#### DELI ORODJA ②

- A Rezilo
- B Vrtljivo vodilo
- C Objemka za rezilo
- D Cev za prijem
- E Ventilacijske reže
- F Gumb za zaklepanje
- G Vklonpo/izklonpo stikalo in stikalo za nadzor hitrosti
- H Ročaj
- J Gumb indikatorja za napolnjenost akumulatorja
- K Dvojne luči LED

### VARNOST

#### SPLOŠNA VARNOSTNA OPOZORILA ZA ELEKTRIČNA ORODJA

**⚠ OPOZORILO** Preberite vsa varnostna opozorila, navodila, slike in tehnične podatke, ki so priloženi temu električnemu orodju. Zaradi neupoštevanja spodaj navedenih navodil lahko pride do električnega udara, požara in/ali hudih telesnih poškodb.

**Vsa opozorila in navodila shranite za kasnejšo uporabo.**

Izraz »električno orodje« v opozorilih se nanaša na orodja, ki jih poganja električni tok (žična), ali na akumulatorska (brežžična) orodja.

#### 1) VARNOST DELOVNEGA OBMOČJA

- a) **Delovno območje naj bo čisto in dobro osvetljeno.** Na neurejenih ali temnih območjih se hitro zgodijo nesreče.
- b) **Električnega orodja ne upravljajte v eksplozivnih okoljih, na primer ob prisotnosti vnetljivih tekočin,**

**plinov ali prahu.** Električno orodje ustvarja iskre, ki lahko povzročijo vžig prahu ali hlapov.

- c) **Med uporabo električnega orodja v bližino ne pustite otrok in drugih ljudi.** Zaradi motenj lahko izgubite nadzor.

#### 2) ELEKTRIČNA VARNOST

- a) **Vtiči električnih orodij se morajo prilegati vtičnicam. Vtiča nikoli ne smete spreminjati na kakršen koli način. Z ozemljenimi električnimi orodji ne uporabljajte adapterjev.** Nespremenjeni vtiči in pripadajoče vtičnice bodo zmanjšali tveganje električnega udara.
  - b) **Izogibajte se telesnemu stiku z ozemljenimi površinami, kot so cevi, radiatorji, štedilniki in hladilniki.** Če je vaše telo ozemljeno, obstaja povečano tveganje električnega udara.
  - c) **Orodja ne izpostavljajte dežju ali vlažnim vremenskim pogojem.** Če v električno orodje zaide voda, obstaja večja možnost električnega udara.
  - d) **Ne poškodujte električnega kabla. Kabla nikoli ne uporabljajte za nošenje, vlečenje ali odklapanje električnega orodja. Kabel hranite stran od vročine, olja, ostrih robov ali premikajočih se delov.** Poškodovani ali zapleteni kabli zvišujejo tveganje električnega udara.
  - e) **Med zunanjo uporabo električnega orodja uporabljajte podaljšek, ki je primeren za zunanjo uporabo.** Uporaba kabla, primerne za zunanjo uporabo, znižuje tveganje električnega udara.
  - f) **Če je uporaba električnega orodja na vlažnem mestu neizogibna, uporabite napajanje, zaščiteno z napravo na diferenčni tok.** Uporaba te naprave bo zmanjšala nevarnost električnega udara.
- #### 3) OSEBNA VARNOST
- a) **Med uporabo električnega orodja bodite pozorni, spremljajte potek dela in uporabljajte zdrav razum. Električnega orodja ne uporabljajte, kadar ste utrujeni ali pod vplivom drog, alkohola ali zdravil.** Trenutek nepazljivosti med uporabo električnega orodja lahko povzroči hude telesne poškodbe.
  - b) **Uporabljajte osebno varovalno opremo. Vedno uporabljajte zaščito za oči.** Če v različnih okoliščinah nosite ustrezno zaščitno opremo, kot so maska proti prahu, obutev z nedrsečim podplatom, trdno pokrivalo glave in zaščita za sluh, zmanjšate možnost telesnih poškodb.
  - c) **Preprečite neželen zagon. Pred priklopom na vir napajanja in/ali priklopom akumulatorskega sklopa ter pred dvigovanjem ali nošenjem orodja se prepričajte, da je stikalo v položaju za izklop.** Prenašanje električnih orodij s prstom na stikalu ali napajanje električnih orodij, pri katerih je stikalo v položaju za vklop, povzroči tveganje za nesreče.
  - d) **Pred vklopom električnega orodja odstranite morebitne nastavitvene ključe ali viličaste ključe.** Viličasti ali drug ključ, ki je pritrdjen na vrtljivi del električnega orodja, lahko povzroči telesne poškodbe.
  - e) **Ne stegujte se preveč. Pazite, da ves čas stojite stabilno in ohranjate ravnotežje.** To omogoča boljši nadzor nad električnim orodjem v nepričakovanih situacijah.
  - f) **Bodite primerno oblečeni. Ne nosite ohlapnih oblačil ali nakita. Pazite, da lasje in oblačila ne pridejo v**

- bližino gibljivih delov. Ohlapna oblačila, nakit ali dolgi lasje se lahko zapletejo v gibljive dele.
- g) Če imate na voljo naprave za sesanje in zbiranje prahu, preverite, ali so priključene in ali se ustrezno uporabljajo. Uporaba naprav za zbiranje prahu lahko zmanjša nevarnosti, povezane s prahom.
- h) Čeprav dobro poznate orodje zaradi pogoste uporabe, ne postanite ravnodušni in ne prezirajte varnostnih načel orodja. Nepazljivost pri uporabi lahko povzroči hude telesne poškodbe v delcu sekunde.
- 4) **UPORABA IN NEGA ELEKTRIČNEGA ORODJA**
- a) Električnega orodja ne preobremenjujte. Uporabite električno orodje, ki je primerno za vaše delo. Ustrezno električno orodje bo nalogo opravilo bolje in varneje pri zmogljivosti, za katero je bilo zasnovano.
- b) Ne uporabljajte električnega orodja, če ga ni mogoče vklopiti in izklopiti s stikalom. Kakršno koli električno orodje, ki ga ni mogoče nadzirati s stikalom, je nevarno in ga je potrebno popraviti.
- c) Odklopite vtič iz vira napajanja in/ali odstranite akumulatorske baterije, če je snemljiv, preden opravite kakršne koli prilagoditve, menjate nastavke ali shranite električno orodje. Tovrstni preventivni varnostni ukrepi zmanjšujejo tveganje nenamernega zagona električnega orodja.
- d) Električna orodja, ki niso v uporabi, shranjujte izven dosega otrok in ne dovolite, da bi električno orodje uporabljale osebe, ki niso seznanjene z električnim orodjem ali s temi navodili. Električno orodje je v rokah neusposobljenih uporabnikov nevarno.
- e) Električna orodja in dodatke vzdržujte. Preverite morebitno neopranost ali povezavo premikajočih se delov, zlome delov ali morebitno drugačno stanje, ki bi lahko vplivalo na delovanje električnega orodja. Če je električno orodje poškodovano, ga pred ponovno uporabo nesite na popravilo. Mnogo nesreč se pripeti zaradi slabo vzdrževanih električnih orodij.
- f) Rezalna orodja naj bodo vedno nabrušena in čista. Pravilno vzdrževana rezalna orodja z ostrimi rezili se težje zaskočijo in jih je lažje nadzirati.
- g) Električno orodje, dodatke, dele orodja itd. uporabljajte v skladu s temi navodili, pri tem pa upoštevajte delovne pogoje in delo, ki ga boste opravljali. Če boste električno orodje uporabljali za neustrezne namene, lahko pride do nevarnih situacij.
- h) Ročaji in prijemalne površine naj bodo suhe, čiste in brez madežev olja ali masti. Drseči ročaji in prijemalne površine ne omogočajo varnega ravnanja in nadzorovanja orodja v nepričakovanih situacijah.
- 5) **UPORABA IN VZDRŽEVANJE AKUMULATORSKEGA ORODJA**
- a) Akumulator polnite le s polnilnikom, ki ga določa proizvajalec. Polnilnik, ki je primeren za eno vrsto akumulatorskih baterij, morda lahko povzroči nevarnost požara, če z njim polnite drugo vrsto akumulatorske baterije.
- b) Akumulatorska orodja uporabljajte samo s predpisano vrsto akumulatorskih baterij. Uporaba katerih koli drugih akumulatorskih baterij lahko povzroči tveganje za telesne poškodbe in požar.
- c) Ko akumulatorskih baterij ne uporabljate, jih hranite stran od kovinskih predmetov, kot so sponke za

- papir, kovanci, ključi, žebliji, vijaki ali drugi majhni kovinski deli, ki bi lahko povzročili stik med obema poloma. Kratek stik zaradi povezanih kontaktov akumulatorja lahko povzroči opekline ali požar.
- d) Ob zlorabi akumulatorja lahko iz njega steče tekočina; izogibajte se stiku z njo. Če se nehote dotaknete tekočine, mesto dotika sperite z vodo. Če pride tekočina v stik z očmi, poiščite zdravniško pomoč. Tekočina, ki brizgne iz akumulatorja, lahko povzroči draženje ali opekline.
- e) Akumulatorskih baterij ali orodja, ki je poškodovano ali spremenjeno, ne uporabljajte. Poškodovane ali spremenjene akumulatorske baterije se lahko nepredvidljivo vedejo, kar lahko povzroči požar, eksplozijo ali tveganje telesnih poškodb.
- f) Akumulatorskih baterij ali orodja ne izpostavljajte ognju ali previsokim temperaturam. Izpostavljenost ognju ali temperaturam nad 130 °C lahko povzroči eksplozijo.
- g) Upoštevajte vsa navodila za polnjenje in akumulatorske baterije ali orodja ne polnite izven temperaturnega razpona, navedenega v navodilih. Zaradi nepravilnega polnjenja ali temperature zunaj navedenega razpona lahko pride do poškodb akumulatorja in povečanega tveganja za požar.
- 6) **SERVIS**
- a) Električno orodje naj servisira usposobljeno servisno osebo, ki uporablja le enake nadomestne dele. To bo zagotovilo ohranjanje varnosti električnega orodja.
- b) Nikoli ne popravljajte poškodovanih akumulatorskih baterij. Akumulatorske baterije lahko popravi le proizvajalec ali pooblaščen izvajalec servisiranja.

#### **VARNOSTNA NAVODILA ZA BREZKRTAČNE SABLJASTE ŽAGE**

- Če izvajate dela, pri katerih bi se lahko z orodjem za rezanje dotaknili skrite omrežne napeljave, držite električno orodje samo za izolirane ročaje (stik orodja za rezanje z napeljavo, ki je pod napetostjo, lahko povzroči, da so tudi kovinski deli orodja pod napetostjo, kar lahko povzroči električni udar pri upravljavcu).
- Obdelovanec zavarujte in pritrdite na trdo ploščo s sponami ali drugo opremo (če držite obdelovanec z rokami ali ob telesu, bo nestabilen in lahko izgubite nadzor nad orodjem).

#### **NASTAVKI**

- SKIL zagotavlja brezhibno delovanje orodja le z uporabo originalnega dodatnega pribora
- Uporabljajte lahko dodatni pribor, katerega dovoljena hitrost je najmanj enaka največji hitrosti orodja

#### **PRED UPORABO**

- Izogibajte se poškodbam zaradi vijakov, žebeljev ali drugih elementov v obdelovancu; odstranite jih pred začetkom dela.
- Za iskanje skritih električnih, plinskih in vodovodnih cevi uporabite primerne iskalne naprave (detektorje) ali se posvetujte z lokalnimi podjetji (stik z električnimi vodniki lahko povzroči požar ali električni udar; poškodbe plinovoda lahko povzročijo eksplozijo, vdor v vodovodno omrežje pa materialno škodo ali električni udar).

#### **OSEBNA VARNOST**

- Tega orodja naj ne bi uporabljale osebe, mlajše od 16 let.
- **Ne obdelujte materiala, ki vsebuje azbest** (azbest povzroča rakasta obolenja).
- Prah materialov, kot so barve, ki vsebujejo svinec, nekatere vrste lesa, mineralov ali kovin, je lahko škodljiv (ob stiku ali vdihavanju lahko prah pri delavcu ali pri drugih prisotnih povzroči alergijsko reakcijo in/ali boleznih dihal); **nosite masko za prah in pri delu uporabljajte napravo za odsesavanje prahu, kjer je le-to možno priključiti.**
- Nekaterne vrste prahu so klasificirane kot kancerogene (npr. prah hrasta in bukke), predvsem ob sočasni uporabi z dodatki za obdelavo lesa; **nosite masko za prah in pri delu uporabljajte napravo za odsesavanje prahu, kjer je le-to možno priključiti.**
- Upoštevajte nacionalne zahteve glede prahu za materiale, ki jih želite obdelovati.
- **Roke držite stran od področja rezanja in rezila, z drugo roko pa držite orodje za cev za prijem D** ② (če držite žago z obema rokama, ju rezilo ne more poškodovati).
- **Ne segajte pod obdelovanec** (v tem primeru namreč ne vidite, kako blizu vaše roke je rezilo).
- **Pri rezanju nikoli ne držite obdelovanec v roki ali čez vaše noge** (med delom je treba zagotoviti ustrezno podporo, da zmanjšate izpostavljenost telesa, zaustavljanje rezila in izgubo nadzora pri delu).
- **Ne uporabljajte topih ali poškodovanih rezil** (ukriviljena rezila se lahko hitro zlomijo ali izskočijo iz orodja).
- **Pri odstranjevanju rezila iz orodja uporabljate zaščitne rokavice** (žagin list je po dolgi uporabi lahko vroč).
- Uporabljajte zaščitna očala in zaščito sluha

#### AKUMULATOR

- **Priloženi akumulator je delno napolnjen** (če želite zagotoviti polno zmogljivost akumulatorja, ga pred prvo uporabo popolnoma napolnite s polnilnikom za akumulator).
- **S tem orodjem lahko uporabljate samo te akumulatorje in polnilnike**
  - Akumulator SKIL: BR1\*31\*\*\*\*
  - Polnilnik SKIL: CR1\*31\*\*\*\*
- Ne uporabljajte poškodovanega akumulatorja, ampak ga zamenjajte
- Akumulatorja ne razstavljajte.
- Orodja/akumulatorja ne izpostavljajte dežju.
- Dovoljena temperatura okolice (orodje/polnilec/akumulator):
  - pri polnjenju od 4 od 40 °C
  - pri delu od -20 od +50 °C
  - pri skladiščenju od -20 do +50 °C

#### POJASNILO OZNAK NA ORODJU/AKUMULATORJU

- ③ Pred uporabo preberite navodila za uporabo
- ④ Akumulatorji lahko pri izpostavljanju odprtemu ognju eksplodirajo, zato jih nikoli ne sežigajte.
- ⑤ Shranjujte orodje/polnilec/akumulator v prostoru, kjer temperatura ne bo preseгла 50 °C.
- ⑥ Ne odstranjujte električnega orodja in akumulatorja skupaj z gospodinjstvi odpadki.

#### UPORABA

- **Polnjenje akumulatorja**  
**! Preberite varnostna opozorila in navodila,**

#### priložena polnilniku.

- Odstranjevanje/naimeščanje akumulatorja ②
- Indikator stanja napoljenosti akumulatorja ⑦
  - Pritisnite gumb indikatorja stanja napoljenosti akumulatorja J, da prikažete trenutno stanje akumulatorja ⑦a
  - ! Ko začne po pritisku gumba J ⑦b utripati najnižja stopnja napoljenosti, je akumulator prazen.**
  - ! Ko začneta z večjim ali manjšim pritiskom na stikalo 2 stopnji indikatorja akumulatorja, to pomeni, da akumulator ni v dovoljenem temperaturnem razponu.**
- Kombinirano stikalo za vklop/izklop in nadzor hitrosti z gumbom za zaklepanje ⑧ ⑨
  - Najprej odklenite s pritiskom gumba F.
  - Vklpite orodje, tako da povlečete sprožilec G.
  - Hitrost se brezstopenjsko nastavlja od 0 do maksimalne z večjim ali manjšim pritiskom na stikalo.
  - Izklpite tako, da sprostite sprožilec G.
- Gumb za zaklepanje F lahko aktivirate ⑧.
  - če je aktivirano, je stikalo za vklop/izklop blokirano, orodje pa je zaščiteno pred nenamernim vklopom
- Dvojne lučke LED K ⑩  
Ko vklopite stikalo G, dvojne lučke LED samodejno zasvetijo.
  - ! Ko začnejo lučke LED utripati, je zaščita akumulatorja aktivirana (glejte spodaj).**
- Zaščita akumulatorja  
Orodje se nenadoma izklopi ali pa ga ni mogoče vklopiti v naslednjih primerih:
  - **previsoka obremenitev** --> odstranite obremenitev in zaženite znova;
  - **temperatura akumulatorja ni v dovoljenem razponu delovne temperature od -20 do +50 °C** --> ko pritisnete gumb J ⑦c, začneta utripati 2 ravni indikatorja napoljenosti akumulatorja; počakajte, da se akumulator vrne v dovoljeni razpon delovne temperature;
  - **akumulator je skoraj prazen (zaščitite ga pred popolno izpraznitvijo)** --> indikator napoljenosti akumulatorja prikaže nizko raven napoljenosti akumulatorja ali utripajočo nizko raven napoljenosti akumulatorja, ko pritisnete gumb J; napolnite akumulator.
  - ! Po samodejnem izklopu ne pritiskajte stikala za vklop/izklop; akumulator se lahko poškoduje.**
- Namestitvev žaginega lista ⑪  
**! Preden orodje kakor koli prilagodite ali zamenjate nastavke, iz orodja odstranite akumulatorsko baterijo.**
  - Objemko za rezilo C obrnite v isti smeri, kot nakazuje puščica na orodju, in jo držite v tem položaju.
  - Vstavite rezilo do konca (zobček naj bodo obrnjeni navzdol ali navzgor).
  - Izpustite objemko za rezilo C.
  - rezilo potisnite naprej in nazaj, da preverite, ali se je pravilno zaskočilo na mestu
- Odstranjevanje žaginega lista ⑪  
**! Preden orodje kakor koli prilagodite ali zamenjate nastavke, iz orodja odstranite akumulatorsko baterijo.**
  - Objemko za rezilo C obrnite v isti smeri, kot nakazuje puščica na orodju, in jo držite v tem položaju.

- izvlecite rezilo
- Izpustite objemko za rezilo C.
- Upravljanje orodja
  - ! **Obdelovavec dobro vpnite.**
  - Na obdelovancu označite linijo reza.
  - Namestite akumulator na orodje.
  - Orodje držite z eno roko na ročaju H, z drugo roko pa na izolirani cevi za prijem D.
  - Vklonite orodje.
  - Orodje premikajte po označeni liniji reza.
  - Vrtljivo vodilo B držite tesno ob obdelovancu, da zmanjšate silo povratnih udarcev in tresljuje.
- Držanje in vodenje orodja
  - ! **Med delom vedno držite orodje za sivo obarvana mesta oprijema** ⑫
  - Ventilacijske reže E morajo ostati nepokrite.
  - Ne pritiskajte premočno na orodje; pustite da orodje samo opravi delo.
  - ! **Prepričajte se, da se žagin list med rezanjem razteza čez obdelovavec** ⑬
- Vrtenje vodila ⑭
  - Pritisnite gumb za zaklepanje F v zaklenjen položaj in nato odstranite akumulatorsko baterijo iz orodja.
  - Trdno držite žago in nato zasušite vodilo B do zelenega kota, medtem ko pazite, da preprečite stik z rezilom.
  - Ponovno namestite baterijo in se pripravite na rezanje.

## UPORABNI NASVETI

- Potopno rezanje ⑮
  - Globinske reze je mogoče narediti v les in druge mehke materiale, ne da bi prej zvrtili luknjo.
  - Uporabite debelejši žagin list.
  - ! **Preden orodje kakor koli prilagodite ali zamenjate nastavke, iz orodja odstranite akumulatorsko baterijo.**
  - Na obdelovancu označite zeleno linijo reza.
  - Nagnite orodje tako, da se rezilo ne dotika obdelovanca.
  - Vklonite orodje in premikajoče se rezilo previdno potisnite v obdelovavec.
  - Ko rezilo predre obdelovalno površino, nadaljujte z rezanjem po označeni liniji reza.
  - ! **Globinski rezi niso primerni za železne materiale.**
- Uporabljajte samo ustrezne žagine liste ⑯.
- Pri žaganju kovin žagin list redno naoljite.
- Rezanje drobljivih materialov
  - Pred rezanjem prelepote linijo reza z nekaj plastmi širokega lepilnega traku.
  - Pri rezanju naj bo boljša stran obdelovanca obrnjena navzdol.
- Za več informacij obiščite spletno stran [www.skil.com](http://www.skil.com).

## VZDRŽEVANJE/SERVISIRANJE

- Orodje ni namenjeno profesionalni uporabi.
- Orodje naj bo vedno čisto (še posebej prezračevalne odprtine E ②)
- ! **Pred čiščenjem odstranite akumulator iz orodja.**
- Če bi kljub skrbnim postopkom izdelave in preizkušanja prišlo do izpada delovanja orodja, naj popravilo opravi servisna delavnica, pooblaščen za popravila električnih orodij SKIL.
  - Pošljite nerazstavljeno orodje skupaj s potrdilom o

nakup pri vašemu prodajalcu v najbližjo SKIL servisno delavnico (naslovi, kot tudi spisek rezervnih delov se nahaja na [www.skil.com](http://www.skil.com)).

- Zavedajte se, da garancija ne vključuje poškodb zaradi preobremenitve orodja ali nepravilne rabe (glede SKILovih garancijskih pogojev obiščite [www.skil.com](http://www.skil.com) ali povprašajte prodajalca).

## OKOLJE

- Električnega orodja, akumulatorja, pribora in embalaže ne odstranjujte skupaj z gospodinjstskimi odpadki (samo za države EU).
  - V skladu z Evropsko direktivo 2012/19/EG o odpadni električni in elektronski opremi in z njenim izvajanjem v nacionalni zakonodaji je treba električna orodja ob koncu njihove življenjske dobe ločeno zbirati in jih predati v postopek okolju prijaznega recikliranja.
  - Ko bo potrebno odstranjevanje, vas bo na to spomnil simbol ⑥.
- ! **Predn zavrzete akumulator, prilepite kontakte z debelejšim izolirnim trakom, da preprečite kratek stik.**

## HRUP / VIBRACIJA

- Raven zvočnega tlaka tega orodja, ki je bila izmerjena v skladu s standardom EN 62841, znaša **87 dB(A)**, raven zvočne moči je **98 dB(A)** (odstopanje  $K = 3$  dB) in vibracij **\* (triosna vektorska vsota; odstopanje  $K = 1,5$  m/s<sup>2</sup>).**
  - \* rezalna ploščna **10,58 m/s<sup>2</sup>**
  - \* rezanje lesenih tramov **8,46 m/s<sup>2</sup>**
- Raven oddajanja vibracij je bila izmerjena v skladu s standardiziranimi testi, navedenimi v EN 62841; uporabiti jo je mogoče za primerjavo različnih orodij med seboj in za predhodno primerjavo izpostavljenosti vibracijam pri uporabi orodja za namene, ki so omenjeni
  - Uporaba orodja za drugačne namene ali uporaba skupaj z drugimi, slabo vzdrževanimi nastavki lahko znatno **poveča** raven izpostavljenosti.
  - Čas, ko je orodje izklopljeno ali ko je vklopljeno, vendar z njim ne delamo, lahko znatno zmanjša raven izpostavljenosti.
- ! **Pred posledicami vibracij se zaščitite z vzdrževanjem orodja in pripadajočih nastavkov, ter tako, da so vaše roke tople, vaši delovni vzorci pa organizirani.**

EST

**Harjadeta ja juhtmeta saabelsaag**

**3475**

## SISSEJUHATUS

- See tööriist on mõeldud puidu, plasti, metalli ja ehitusmaterjalide lõikamiseks, samuti pügamiseks ja puude lõikamiseks.
- Tööriist pole mõeldud professionaalseks kasutamiseks.
- Lugege käesolev kasutusjuhend hoolikalt läbi ja hoidke alles. ③

## TEHNILISED ANDMED ①

## TÖÖRIISTA OSAD ②

- A Tera
- B Pöördtald
- C Tera klamber
- D Silindri käepide
- E Ventilatsiooniavad
- F Lukustusnupp
- G Lüliti tööriista sisse-/väljalülitamiseks ja kiiruse kontrollimiseks
- H Käepide
- J Aku laetustaseme märgutule nupp
- K Kaks LED-valgustit

## OHUTUS

### ÜLDISED ELEKTRITÖÖRIISTADE HOIATUSED

**⚠ HOIATUS!** Lugege läbi kõik elektritööriistaga kaasas olevad hoiatused, juhised, joonised ja andmed. Alltoodud juhiste eiramine võib põhjustada elektrilööki, tulekahju ja/või tõsisid vigastusi.

### Säilitage hoiatused ja juhised hilisemaks kasutuseks.

Hoiatustes kasutatud termin „elektritööriist“ viitab voolu jõul (juhtmega) töötavale elektrilisele tööriistale või aku jõul töötavale (juhtmeta) elektrilisele tööriistale.

### 1) TÖÖPIIRKONNA OHUTUS

- a) **Tööpiirkond peab olema puhas ja hästi valgustatud.** Täis kuhjatud või valgustamata tööpiirkonnad võivad põhjustada õnnetusi.
- b) **Ärge kasutage elektritööriistu plahvatusohtlikes keskkondades, näiteks kergesti süttivate vedelike, gaaside või tolmu läheduses.** Elektritööriistad tekitavad sädemeid, mis võivad süüdata tolmu või aursid.
- c) **Elektritööriistadega töötamisel hoidke lapsed ja kõrvalised isikud eemal.** Tähelepanu hajumisel võite kaotada kontrolli seadme üle.

### 2) ELEKTRILINE OHUTUS

- a) **Elektritööriistad tuleb ühendada sobivasse pistikupesasse.** Ärge kunagi modifitseerige pistikut mitte mingil viisil. Ärge kasutage maandatud elektritööriistadega koos pistikuadaptereid. Modifitseerimata pistikud ja sobivad pistikupesad vähendavad elektrilöögi ohtu.
- b) **Vältige kehalist kontakti maandatud pindadega (nt torud, radiaatorid, pliidad, külmikud).** Kui teie keha on maandatud, suureneb elektrilöögi oht.
- c) **Ärge jätke elektritööriistu vihma kätte ega niisketesse tingimustesse.** Vee sattumine elektritööriista sisse suurendab elektrilöögi ohtu.
- d) **Ärge rikkuge juhet.** Ärge kasutage juhet elektritööriista kandmiseks või tõmbamiseks ja ärge tõmmake juhtmest, kui soovite pistikut pistikupesast eemaldada. Vältige juhtme kokkupuudet kuumade esemetega, õli, teravate servade või liikuvate osadega. Kahjustatud või puntras juhe suurendab elektrilöögi ohtu.
- e) **Elektritööriistaga välitingimustes töötamiseks kasutage välitingimustesse sobivat pikendusjuhet.** Välitingimustesse sobiva juhtme kasutamine vähendab

elektrilöögi ohtu.

- f) **Kui peate kindlasti tööriista märjas kohas kasutama, kasutage seadet, mille toite tagab jääkvooluseade (RCD).** RCD kasutamine vähendab elektrilöögi ohtu.
- ### 3) ISIKLIK OHUTUS
- a) **Olge tähelepanelik, töötage hoolikalt ja rakendage tervet mõistust. Ärge kasutage elektritööriista, kui olete väsinud, või rohtude, alkoholi või narkootikumide mõju all.** Vaid hetkeline tähelepanematus elektritööriista kasutamisel võib põhjustada raskeid kehavigastusi.
  - b) **Kasutage isikukaitsevahendeid. Kandke alati silmakaitsevahendeid.** Töötingimustele vastava kaitsevarustuse (nt tolumumaski, mittelibisevate turvakingade, kiivri või kuulmiskaitsevahendite) kasutamine vähendab kehavigastuste ohtu.
  - c) **Ennetage tööriista tahtmatut käivitamist. Enne tööriista vooluvõrgu ja/või akuplokiga ühendamist ning enne tööriista kandmist või üles tõstmist veenduge, et lüliti on mitteaktiivses asendis.** Elektritööriistade kandmine sõrme lülilil hoides või akuploki ühendamine, kui lüliti on sisse lülitatud, põhjustab õnnetusi.
  - d) **Enne tööriista sisselülitamist eemaldage sellelt kõik reguleerimis- ja mutrivõtmed.** Elektritööriista pöörleva osa külge unustatud võtmed vms tööriistad võivad põhjustada kehavigastusi.
  - e) **Ärge küünitage liiga kaugele. Töötage ainult kindlal pinnal ja kohtades, kus pole ohtu tasakaalu kaotada.** Nii säilitate ootamatutes olukordades parema kontrolli elektritööriista üle.
  - f) **Riietuge asjakohaselt. Ärge kandke avaraid rõivaid ega ehteid.** Vältige oma juuste ja riie kokkupuudet liikuvate osadega. Avarad rõivad, ehted ja pikad juuksed võivad liikuvate osade vahele kinni jääda.
  - g) **Kui tootega on kaasas vahendid tolmuärastus- ja kogumiseseadmete ühendamiseks, siis veenduge, et need seadmed on korralikult ühendatud ja asjakohases kasutuses.** Tolmukogumiseseadmete kasutamine vähendab tolmuiga seotud ohtusid.
  - h) **Kui seade on teile sagedase kasutamise tulemusel harjumuspäraseks saanud, ärge laske ennast lõdvaks ega ignoreerige tööriista kasutamise ohutusreegleid.** Hooletuse tõttu võite saada tõsisid vigastusi ka sekundi murdosa jooksul.
- ### 4) ELEKTRITÖÖRIISTA KASUTAMINE JA HOOLDUS
- a) **Ärge rakendage elektritööriista kasutamisel jõudu.** Kasutage konkreetses tööks sobivat elektritööriista. Sobiva elektritööriistaga sobival kiirusel töötades saate töö valmis kiiresti ja ohutult.
  - b) **Ärge kasutage elektritööriista, mida ei saa lülitist sisse ega välja lülitada.** Elektritööriistad, mille lüliti ei tööta, on ohtlikud ja tuleb parandada.
  - c) **Eemaldage pistik vooluvõrgust ja/või akuplokk seadme küljest, kui see on eemaldatav, enne seadme kohandamist, tarvikute vahetamist või elektritööriista hoiustamist.** Selliste ohutusmeetmete rakendamisel vähendate elektritööriista tahtmatu käivitamise võimalust.
  - d) **Elektritööriistu, mida te hetkel ei kasuta, hoidke lastele kättesaamatus kohas ning ärge lubage nendega töötada isikutel, kes pole tööriistade tööpõhimõtete või käesoleva juhendiga tutvunud.**



Koolitamata isikute käes on elektritööriistad ohtlikud.

- e) **Hooldage nii elektritööriistu kui tarvikuid. Kontrollige, et liikuvad komponendid on korrektselt joondatud ja kinnitatud ning ükski osa ei ole katki, ning jälgige ka muid aspekte, mis võiksid elektritööriista tööd mõjutada. Kahjustatud elektritööriist tuleb enne kasutamist parandada.** Halvasti hooldatud elektritööriistad põhjustavad palju õnnetusi.
- f) **Hoidke oma löiketööriistad teravad ja puhtad.** Korralikult hooldatud ja teravate servadega löikevahendid ei kiilu nii kergesti kinni ja on lihtsamini kontrollitavad.
- g) **Kasutage elektritööriista, selle tarvikuid, tööriistaosi jm vastavalt käesolevale juhendile, võttes arvesse töötingimusi ja teostatavat tööd.** Elektritööriista mitteshipärane kasutamine võib põhjustada ohtlikke olukordi.
- h) **Hoidke käepidemed ja haardepinnad kuivad ja puhtad ning vältige neile õli ja rasva sattumist.** Libedad käepidemed ja haardepinnad takistavad seadme ohutut kasutamist ja käsitsemist ootamatutes olukordades.
- 5) **AKUSEADMETE KASUTAMINE JA HOOLDUS**
- a) **Kasutage laadimiseks ainult tootja poolt ette nähtud laadijaid.** Akulaadija, mis sobib teatud tüüpi akuplokkile, võib põhjustada tulekahju ohtu, kui seda kasutada mõne teise akuplokkiga.
- b) **Kasutage elektritööriistu ainult nende jaoks ette nähtud akuplokkidega.** Mõne muu akuploki kasutamine võib põhjustada vigastuste ja tulekahju ohtu.
- c) **Kui akuplokki ei kasutata, hoidke seda eemal muudest metallesemetest nagu kirjaklambrid, mündid, võtmed, naelad, kruvid ja muud väikesed metallesemed, mis võivad klemmide vahel ühenduse luua.** Akuklemmide lühühendus võib põhjustada põletushaavu või tulekahju.
- d) **Valedes tingimustes kasutamisel võib akust vedelikku välja tulla; vältige kokkupuudet. Kokkupuute korral loputada veega. Kui vedelik satub silma, pöörduge lisaks ka arsti poole.** Akust erituv vedelik võib põhjustada ärritust või põletusi.
- e) **Ärge kasutage kahjustunud või modifitseeritud akuplokki või tööriista.** Kahjustunud või modifitseeritud akud võivad toimida ettearvatult, mille tagajärjeks võivad olla tulekahju, plahvatus või vigastuste oht.
- f) **Vältige akuploki või tööriista kokkupuudet tule või liiga kõrge temperatuuriga.** Kokkupuude lahtise tule või temperatuuriga üle 130 °C võib põhjustada plahvatus.
- g) **Järgige kõiki laadimisjuhiseid ja ärge laadige akuplokki või tööriista vale temperatuuri juures (vt juhiseid).** Valesti või valel temperatuuril laadimine võib kahjustada akut ja suurendada tulekahju ohtu.
- 6) **HOOLDUS**
- a) **Laske oma akutööriista hooldada kvalifitseeritud remonditehnikul, kes kasutab ainult identseid originaalvaruosid.** See tagab elektritööriista ohutuse.
- b) **Ärge kunagi hooldage kahjustunud akuplokke.** Akuplokkide hooldust võib teostada ainult tootja või volitatud teeninduskeskus.

#### HARJADETA LIIKUMISSUUNDA VAHETAVATE SAAGIDE OHUTUSJUHISED

- **Hoidke elektritööriista kinni isoleeritud haardepinnast, kui löiketarvik võib töötamise ajal puutuda kokku peidetud juhtmega** (löiketarviku pingestatud osaga kokkupuute korral võivad elektrilise tööriista metallosad pingestuda ja anda operaatorile elektrilöögi)
- **Kinnitage toorik klambriga või muul praktilisel moel kindlale stabiilsele alusele** (toorikut käes või vastu keha hoides võib see paigast liikuda ja kaotada kontrolli seadme üle)

#### LISATARVIKUD

- SKIL tagab seadme häireteta töö üksnes originaaltarvikute kasutamisel
- Kasutage vaid neid tarvikuid, mille lubatud pöörete arv on vähemalt sama suur nagu maksimaalsed tühikäigupöörded

#### ENNE KASUTAMIST

- Vältige töödeldavas esemes olevatest kruvidest, naeltest vms põhjustatud kahjustusi; eemaldage need enne töö alustamist.
- **Varjatult paiknevate edastusliinide** (elektrijuhtmed, gaasi- või veetorud) avastamiseks kasutage sobivaid detektoreid või pöörduge kohaliku elektri-, gaasi- või vee-ettevõtte poole (kokkupuutel elektrijuhtmetega tulekahju- ja elektrilöögioht; gaasitorustiku vigastamisel plahvatusoht; veetorustiku vigastamisel materiaalne kahju või elektrilöögioht).

#### ISIKLIK OHUTUS

- Tööriista kasutaja peab olema vähemalt 16-aastane.
- **Asbesti sisaldava materjali töötlemine on keelatud** (asbesti peetakse kantserogeenseks).
- Pliid sisaldavat värvi, mõningaid puiduliike, mineraale ja metalli sisaldavad materjalid eraldavad tolmu, mis võib olla kahjulik (kokkupuude tolmuga või selle sissehingamine võib seadme kasutajal või läheduses viibivatel inimestel põhjustada allergiilisi reaktsioone ja/või hingamisteede haigusi); **kandke tolmumaski ja vajaduse korral töötage külgeühendatava tolmueraldusseadmega.**
- Teatud tüüpi tolm on klassifitseeritud kantserogeensena (nt tammest ja pöögist eralduv tolm), eriti koos puidu niiskuse reguleerimiseks kasutatavate lisanditega; **kandke tolmumaski ja vajaduse korral töötage külgeühendatava tolmueraldusseadmega.**
- Erinevate materjalide töötlemisel tekkiva tolmu käitlemisel tuleb järgida kehtivaid nõudeid.
- **Hoidke käed löikepiirkonnast ja terast ohutul kaugusel; teist kätt hoidke silindri käepidemel D** <sup>②</sup> (kui hoiate saagi mõlema käega, ei jää käed saeketta ette).
- **Ärge viige kätt tooriku alla** (te ei näe, kui ligidal on tera teie kätele)
- **Ärge kunagi hoidke saetavat eset käes või risti üle jala** (tooriku korralik toestamine on oluline, et ohustada võimalikult vähe oma keha ning piirata saeketta kinnikiildumise ja tööriista kontrolli alt väljumise oht miinimumini)
- **Ärge kasutage nüri või kahjustatud saeketast** (paindunud terad võivad kergesti murduda või anda tagasilöögi)
- **Tööriistast tera väljavõtmisel kasutage kaitsekindaid** (saetera võib pikaajalisel kasutamisel kuumeneda)
- Kandke kaitseprille ja kõrvaklappe

#### AKUD

- **Kaasasolev aku on osaliselt laetud** (aku täisvõimsuse

tagamiseks laadige aku enne elektritööriista esmakordset kasutamist akulaadijas korralikult täis).

- **Kasutage selle tööriistaga ainult järgmisi akusid ja laadijaid.**
  - SKiLi aku: BR1\*31\*\*\*\*
  - SKiLi laadur: CR1\*31\*\*\*\*
- Ärge kasutage kahjustatud akusid, vaid vahetage need välja
- Ärge võtke akut lahti
- Ärge jätke tööriista/akut vihma kätte.
- Ümbritseva keskkonna lubatud temperatuur (tööriista/laadijat/akut):
  - laadimisel 4 kuni 40 °C;
  - töötamisel -20 kuni +50 °C;
  - hoiustamisel -20 kuni +50 °C.

#### TÖÖRIISTAL/AKUL OLEVATE SÜMBOLITE SELGITUS

- ③ Enne kasutamist tutvuge kasutusjuhendiga.
- ④ Tulle visatud akut plahvatavad, seepärast ei tohi akut mitte mingil juhul põletada.
- ⑤ Hoidke tööriista/laadijat/akut kohas, kus temperatuur ei ületa 50 °C.
- ⑥ Ärge visake kasutuskõlbatuks muutunud elektrilisi tööriistu ja akusid ära koos olmejäätmetega.

## KASUTAMINE

- Aku laadimine
  - ! **Lugege laadijaga kaasasolevaid ohutushoiatusi ja juhiseid.**
- Aku eemaldamine/paigaldamine ②
- Aku laetustaseme indikaator ⑦
  - vajutage aku laetustaseme vaatamiseks aku laetustaseme märgutule nuppu J ⑦a
  - ! **kui aku laetustaseme märgutulel hakkab pärast nuppu J ⑦b vajutamist kõige madalam tase vilkuma, on aku tühi.**
  - ! **kui aku laetustaseme märgutulel hakkavad pärast nuppu J ⑦c vajutamist 2 taset vilkuma, ei ole aku lubatud töötemperatuuri vahemikus.**
- Kombineeritud lüliti sisse/välja lülitamiseks ja kiiruse reguleerimiseks lukustusnupuga ⑧ ⑨
  - esmalt lukustage lahti, vajutades nuppu F
  - seadme sisselülitamiseks vajutage tööülilile G
  - Avaldades päästikule suuremat või väiksemat survet, saab kiirust sujuvalt reguleerida nullist kuni maksimaalsete pööreteni.
  - lülitage välja, vabastades päästiku G
- Lukustusnuppu F saab aktiveerida ⑧
  - aktiveerimise korral on sisse-/väljalülitamise lüliti blokeeritud ja masin tahtmatu sisselülitamise vastu kaitstud
- Topelt LED-tuled K ⑩
  - Lüliti G aktiveerimisel süttivad topelt LED-tuled automaatselt
  - ! **Kui LED-tuli hakkab vilkuma, on aku kaitse rakendatud (vt allpool)**
- Aku kaitse
  - Tööriist lülitatakse järsku välja või selle sisselülitamine ei ole võimalik, kui
    - **koormus on liiga suur** --> eemaldage koormus ja taaskäivitage;
    - **aku temperatuur ei ole lubatud töötemperatuuri vahemikus -20 kuni +50 °C** --> märgutule 2 taseme märgutuled hakkavad nupu J ⑦c vajutuse järel vilkuma;

oodake, kuni aku naaseb lubatud töötemperatuuri vahemikku;

- **aku on peaaegu tühi (et kaitsta täieliku tühjenemise eest)** --> nupu M vajutamisel näitab aku laetustaseme märgutuli aku tühjenemist või aku laetustase vilgub; pange aku laadima
- ! **ärge vajutage enam lülilile (sisse/välja), kui tööriist on end automaatselt välja lülitanud, sest see võib akut kahjustada.**
- Saetera paigaldamine ⑪
  - ! **Enne tööriista reguleerimist või tarvikute vahetust võtke aku välja**
  - vajutage teraklambrist C tööriistal oleva noolega samas suunas ja hoidke selles asendis
  - Paigaldage tera (hammastega alla- või ülespoole) lõpuni sisse.
  - Vabastage tera klamber C
  - Suruge tera sisse ja tõmmake, veendumaks, et see on korrektselt lukustunud.
- Saetera eemaldamine ⑪
  - ! **Enne tööriista reguleerimist või tarvikute vahetust võtke aku välja**
  - vajutage teraklambrist C tööriistal oleva noolega samas suunas ja hoidke selles asendis
  - Tõmmake tera välja.
  - Vabastage tera klamber C
- Seadme kasutamine
  - ! **Kinnitage toorik korralikult.**
  - Märkige toorikule löikejoon.
  - paigaldage aku tööriistale
  - Hoidke ühe käega tööriista käepidemest H ja teisega isoleeritud silindri käepidemest D
  - Lülitage seade sisse.
  - Suunake tööriista mööda märgitud löikejoont.
  - Hoidke tugiplaati B tihedalt vastu toorikut, et vähendada vastupanu ja vibratsiooni
- Seadme hoidmine ja juhtimine
  - ! **Töötamise ajal hoidke tööriista kinni halli värvi haardepinnast (haardepindadest) ⑫**
  - Hoidke ventilatsioonivad E vabad.
  - Ärge rakendage tööriistale liigset survet; laske sellel enda heaks töötada.
  - ! **Veenduge, et tera läbib toorikut kogu kolbisammu pikkuses ⑬**
- Kinga pööramine ⑭
  - vajutage lukustusnupp F lukustatud asendisse ja seejärel eemaldage aku tööriistast.
  - hoidke saest tugevalt kinni ja seejärel pöörake kinga B soovitud nurga alla, vältides samal ajal kokkupuudet teraga.
  - paigaldage aku tagasi ja valmistuge löikamiseks

## TÖÖJUHISED

- Sukelduslõikamine ⑮
  - Sukelduslõikust võib teostada puidus ja teistes pehmetes materjalides ava eelnevalt puurimata.
  - Kasutage paksemat saetera.
  - ! **Enne tööriista reguleerimist või tarvikute vahetust võtke aku välja**
  - Märkige toorikule soovitud löikejoon.
  - Hoidke tööriista nii, et tera ei puudutaks toorikut.
  - Lülitage tööriist sisse ja suunake liikuv tera ettevaatlikult

töödeldavale esemele.

- Pärast seda, kui tera on läbinud tooriku, jätkake lõikamist mööda märgitud lõikejoont.

**! Ärge teostage sukelduslõikust metalli.**

- Kasutage sobivaid saelehti. <sup>(16)</sup>
- Metalliga saagimisel määrige saelehte regulaarselt õliga.
- Saagimine materjali kahjustamata
  - Enne töö algust katke lõikejoon mitme kihi laia kleeplindiga.
  - Asetage tooriku ilusam (pealmine) pool alati allapoole.
- Lisateavet lugege aadressilt [www.skil.com](http://www.skil.com)

## HOOLDUS/TEENINDUS

- Tööriist pole mõeldud professionaalseks kasutamiseks.
- Hoidke tööriist alati puhtana (eriti ventilatsioonivahet <sup>(2)</sup>)  
**! enne puhastamist eemaldage tööriistast aku**
- Tööriist on hoolikalt valmistatud ja testitud. Kui tööriist sellest hoolimata rikki läheb, tuleb see lasta parandada SKILi elektriliste käsitööriistade volitatud remonditöökojas.
  - toimetage lahtimonteerimata tööriist koos ostukviitungiga edasimüüjale või lähimasse SKILi lepingulisse töökotta (aadressid ja tööriista varuosade joonise leiata aadressil [www.skil.com](http://www.skil.com))
- Arvestage sellega, et garantii ei hõlma seadme ülekoormamisest või ebaõigest käsitsemisest tulenevaid kahjustusi (teavet SKILi garantiitingimuste kohta vaadake veebilehelt [www.skil.com](http://www.skil.com) või küsige kohalikult müügiesindajalt)

## KESKKOND

- Ärge visake kasutuskoõlbmatuks muutunud elektrilisi tööriistu, akusid, lisatarvikuid ja pakendeid ära koos olmejäätmetega (üksnes ELi liikmesriikidele).
  - vastavalt Euroopa Parlamendi ja nõukogu direktiivile 2012/19/EÜ elektri- ja elektroonikaseadmete jäätmete kohta ning direktiivi nõuete kohaldamisele liikmesriikides tuleb kasutuskoõlbmatuks muutunud elektrilised tööriistad koguda eraldi ja keskkonnasäästlikult korduvkasutada või ringlusse võtta.
  - Kõrvaldamisvajaduse tekkimisel meenutab seda teile sümbol <sup>(3)</sup>.
- ! Enne aku kasutusest kõrvaldamist katke selle klemmid tugeva teibiga, et vältida lühise teket.**

## MÜRA / VIBRATSIOON

- Standardi EN 62841 kohaselt mõõdetud tööriista helirõhu tase on **87 dB(A)** ja helivõimsuse tase on **98 db(A)** (määramatus  $K = 3$  dB) ning vibratsioon \* (triaksaalvektorite summa; määramatus  $K = 1,5$  m/s<sup>2</sup>)  
\* laua lõikamine **10,58** m/s<sup>2</sup>  
\* puidust talade lõikamine **8,46** m/s<sup>2</sup>
- Tekkiva vibratsiooni tase on mõõdetud vastavalt standardis EN 62841 kirjeldatud standarditud testile; seda võib kasutada tööriistade võrdlemiseks ja tööriista kasutamisel ettenähtud töödeks esineva vibratsiooni esialgseks hindamiseks
  - Tööriista kasutamisel muudeks rakendusteks või teiste / halvasti hooldatud tarvikute kasutamisel võib vibratsioon märkimisväärselt **suurened**.
  - Ajal, kui tööriist on väljalülitatud või on küll

sisselülitatud, kuid tegelikult seda ei kasutata, võib vibratsioon märkimisväärselt väheneda.

**! Enda kaitsmiseks vibratsiooni eest hoolitage tööriista ja selle tarvikuid korralikult, hoidke oma käed soojad ja tagage sujuv töökorraldus.**

LV

## Bezkontaktu bezvadu turpatpakajustības zāģis

3475

## IEVADS

- Šis instruments ir paredzēts kokmateriālu, plastmasas, metāla un celtniecības materiālu zāģēšanai, kā arī atzarošanai un zaru apgriešanai.
- Šis instruments nav paredzēts profesionālai lietošanai.
- Izlasiet un saglabājiet šo pamācību. <sup>(3)</sup>

## TEHNISKIE DATI <sup>(1)</sup>

### INSTRUMENTA ELEMENTI <sup>(2)</sup>

- A Asmens
- B Šarnīra kurpe
- C Asmens skava
- D Cilindra rokturis
- E Ventilācijas atveres
- F Bloķēšanas poga
- G Ieslēdzējs un griešanās ātruma regulators
- H Rokturis
- J Akumulatora uzlādes līmeņa indikatora poga
- K Duālās gaismas diodes

## DROŠĪBA

### VISPĀRĒJIE ELEKTRONSTRUMENTA DROŠĪBAS BRĪDINĀJUMI

**! BRĪDINĀJUMS!** Izlasiet visus ar šo elektroinstrumentu saistītos drošības brīdinājumus, norādījumus, specifikāciju un aplūkojiet attēlus. Visu turpmāk uzskaitīto norādījumu neievērošana var izraisīt elektriskās strāvas triecienu, aizdegšanos un/vai nopietnas traumas.

Saglabājiet visus brīdinājumus un instrukcijas turpmākai atsaucei.

Brīdinājumos lietotais termins „elektroinstrumenti” attiecas uz elektriski darbināmu instrumentu, kura barošanu nodrošina elektrotīkls (ar elektrokabeli) vai akumulators (bez elektrokabeļa).

### 1) DROŠĪBA DARBA ZONĀ

#### a) Uzturiet darba zonu tīru un labi apgaismotu.

Nesakārtotā un slikti apgaismotā darba zonā var notikt nelaimes gadījumi.

#### b) Nedarbiniet elektroinstrumentu sprādzienbīstamā vidē, piemēram, viegli uzliesmojošu šķidrumu, gāzu vai putekļu klātbūtnē. Elektroinstrumenti rada dzirksteles, kas var aizdedzināt putekļus vai izgarojumu

tvaiķus.

- c) **Neļaujiet bērniem un klātesošajiem atrasties elektroinstrumenta tuvumā, kamēr tas darbojas.** Apjukuma brīdī jūs varat zaudēt vadību pār instrumentu.
- 2) **ELEKTRODROŠĪBA**
  - a) **Elektroinstrumenta kontaktdakšai jāsakrīt ar kontaktrozeti. Nekad nekādā veidā nepārveidojiet kontaktdakšu. Neizmantojiet adaptera kontaktdakšas kopā ar iezemētiem elektroinstrumentiem.** Lietojot nepārveidotas kontaktdakšas un atbilstošas kontaktlīdzīgas tiek samazināts elektriskās strāvas trieciena risks.
  - b) **Nepieskarieties sazemētām virsmām, piemēram cauruļvadiem, radiatoriem, plītiņiem un ledusskapjiem.** Saņemoties Jūs palielināt elektriskās strāvas trieciena risku.
  - c) **Sargājiet elektroinstrumentus no lietus vai mitruma.** Mitruma iekļūšana elektroinstrumentā palielina elektriskās strāvas trieciena risku.
  - d) **Nebojājiet strāvas vadu. Nekad nelietojiet strāvas vadu elektroinstrumenta pārnēsāšanai, vilkšanai vai kontaktdakšas izvilkšanai no kontaktrozetes.** Sargājiet strāvas vadu no karstuma, eļļas, asām malām vai kustīgām daļām. Bojāti vai samudžināti strāvas vadi palielina risku saņemt elektriskās strāvas triecienu.
  - e) **Strādājot ar elektroinstrumentu ārpus telpām, nodrošiniet, lai arī izmantotie vadi pagarinātāji būtu piemēroti āra darbiem.** Āra darbiem paredzēta vada pagarinātāja izmantošana samazina elektriskās strāvas trieciena risku.
  - f) **Ja nav iespējams izvairīties no elektroinstrumenta darbināšanas mitrā vietā, izmantojiet barošanas sistēmu, kas aizsargāta ar noplūdes strāvas aizsardzības ierīcēm (RCD).** Noplūdes strāvas aizsardzības ierīču izmantošana samazina elektriskās strāvas trieciena risku.
- 3) **PERSONĪGĀ DROŠĪBA**
  - a) **Darbinot elektroinstrumentu, esiet modri, pievērsiet uzmanību tam, ko jūs darāt, un rīkojieties ar to saprātīgi. Nelietojiet elektroinstrumentu, ja esat noguruši vai atrodaties apreibinošu vielu, alkohola vai medikamentu ietekmē.** Pat viens mirklis neuzmanības elektroinstrumenta lietošanas laikā var kļūt par cēloni nopietnām traumām.
  - b) **Izmantojiet individuālos aizsarglīdzekļus. Vienmēr valkājiet acu aizsarglīdzekļus.** Ja tiek lietots darba specifiskai atbilstošs aizsargaprīkojums, piemēram, maska ar putekļu filtru, neslidoši darba apavi, ķivere vai austiņas, samazinās traumu gūšanas riskus.
  - c) **Novērsiet nejaunas ieslēgšanās iespējamību.** Pirms instrumenta pievienošanas strāvas avotam un/vai akumulatoru blokam pārliecinieties, vai slēdzis atrodas izslēgtā stāvoklī. Pārnēsājot elektroinstrumentu ar pirkstu uz slēdža vai iedarbinot elektroinstrumentu, kas jau ir ieslēgtā stāvoklī, var notikt nelaimes gadījums.
  - d) **Pirms elektroinstrumenta ieslēgšanas izņemiet visas noregulēšanas vai uzgriežņu atslēgas.** Regulēšanas instrumentus vai atslēgas, kas palikusi elektroinstrumenta rotējošās daļās, var izraisīt traumas.
  - e) **Nepārvērtējiet savas spējas. Ieņemiet pareizu stāju un vienmēr saglabājiet līdzsvaru.** Tādējādi jūs varēsiet

labāk apvaldīt elektroinstrumentu negaidītās situācijās.

- f) **Valkājiet atbilstošu apģērbu. Nevalkājiet vaļīgu apģērbu vai rotaslietas. Sargājiet matus, apģērbu un cimdus no kustīgajām daļām.** Vaļīgs apģērbs, rotaslietas vai gari mati var iekerties instrumenta kustīgajās daļās.
- g) **Ja iekārtas ir paredzētas savienošanai ar putekļu nosūcšanas un savākšanas iekārtām, pārliecinieties, vai tās ir pieslēgtas un tiek izmantotas pareizi.** Putekļu savākšanas ierīču izmantošana var samazināt ar putekļiem saistītos apdraudējumus.
- h) **Nepieļaujiet, ka iekārtas bieža lietošana varētu izraisīt nevērigi attieksmi darbā ar to, un neignorējiet ar iekārtas lietošanu saistītos drošības principus.** Viens brīdis neuzmanības var izraisīt nopietnas traumas.
- 4) **ELEKTROINSTRUMENTA LIETOŠANA UN APKOPE**
  - a) **Nespiediet elektroinstrumentu ar spēku.** Lietojiet attiecīgajam darbam piemērotāko elektroinstrumentu. Piemērots elektroinstrumenti labāk un drošāk spēs izpildīt veicamo darbu, darbojoties tam paredzētajā ātrumā.
  - b) **Nelietojiet elektroinstrumentu, ja to nav iespējams ieslēgt un izslēgt ar slēdzi.** Ja elektroinstrumentu nav iespējams ieslēgt un izslēgt ar slēdzi, tas ir bīstams, tāpēc nekavējoties jāsalabo.
  - c) **Pirms jebkādu pielāgojumu veikšanas, piederumu maiņas vai elektroinstrumenta novietošanas glabāšanā atvienojiet kontaktdakšu no barošanas avota un/vai izņemiet no elektroinstrumenta akumulatora bloku, ja to var izdarīt.** Šādi piesardzības pasākumi palīdzēs novērst nejausū elektroinstrumenta ieslēgšanu.
  - d) **Ja elektroinstrumenti kādu laiku netiek lietoti, uzglabājiet tos bērniem nepieejamā vietā un neļaujiet ar elektroinstrumentu darboties personām, kas instrumentu nepārzina vai nav izlasījušas šīs instrukcijas.** Nemākulīgās rokās nonākuši elektroinstrumenti ir potenciāli bīstamu avots.
  - e) **Veiciet elektroinstrumentu un piederumiem apkopi.** Pārbaudiet, vai ir pareizi uzstādītas kustīgās daļas un vai tās neķeras, un vai elektroinstrumenta daļām nav bojājumu, kas var negatīvi ietekmēt tā darbību. Bojāts elektroinstrumenti ir jāsalabo pirms nākamās lietošanas reizes. Daudzu negadījumu cēlonis ir sliktā stāvoklī esošu elektroinstrumentu izmantošana.
  - f) **Griezējinstrumentiem jābūt asiem un tīriem.** Rūpīgi kopti griezējinstrumenti retāk iestrēgst un ir vieglāk vadāmi.
  - g) **Lietojiet elektroinstrumentu, tā piederumus un maināmos instrumentus, kā arī citus saistītos elementus atbilstoši šiem norādījumiem, ņemot vērā darba apstākļus un veicamo uzdevumu.** Elektroinstrumenta lietošana neparedzētiem mērķiem var radīt bīstamu situāciju.
  - h) **Rokturiem un satveršanas daļām jābūt sausiem, tīriem un uz tiem nedrīkst būt eļļa vai smērviela.** Ja rokturi un satveršanas daļas ir mitras, tās slīdēs, un ar instrumentu vairs nebūs droši strādāt, kā arī apvaldīt neparedzētu apstākļu gadījumos.
- 5) **AKUMULATORA LIETOŠANA UN APKOPE**

- a) **Uzlādējiet instrumentu tikai ar ražotāja noteikto lādētāju.** Lādētājs, kas paredzēts lietošanai tikai ar viena veida akumulatoru bloku, var radīt aizdegšanās draudus, ja to izmanto kopā ar citu akumulatoru bloku.
- b) **Lietojiet elektroinstrumentus kopā tikai ar tiem paredzētiem akumulatoru blokiem.** Jebkura cita akumulatoru bloka lietošana var radīt traumu gūšanas un aizdegšanās risku.
- c) **Kad akumulatoru bloks netiek izmantots, neglabājiet to citu metāla priekšmetu, piemēram, papīra saspaužu, monētu, atslēgu, naglu, skrūvju vai citu sīku metāla priekšmetu, kas var veidot savienojumu starp spailēm, tuvumā.** Akumulatora spaiļu isslēgums var izraisīt aizdegšanos vai ugunsgrēku.
- d) **Nepareizas rīcības gadījumā no akumulatora var izteciēt šķidrums; izvairieties no saskares ar to. Ja tas nejausi nokļuvis uz ādas, noskalojiet ar ūdeni. Ja šķidrums iekļuvis acīs, nekavējoties meklējiet medicīnisko palīdzību.** No akumulatora izkļuvušais šķidrums var izraisīt kairinājumu vai apdegumus.
- e) **Nelietojiet bojātu vai pārveidotu akumulatoru bloku vai instrumentu.** Bojātu vai pārveidotu akumulatoru izmantošana var izraisīt neparedzamus apstākļus, kas rada aizdegšanās, sprādziena vai traumas gūšanas draudus.
- f) **Nepakļaujiet akumulatoru bloku vai iekārtu uguns liesmu vai pārmērīgas temperatūras iedarbībai.** Uguns liesmu iedarbība vai temperatūra virs 130 °C var izraisīt sprādzienu.
- g) **Izpildiet visas uzlādēšanas instrukcijas un neuzlādējiet akumulatoru bloku vai instrumentu ārpus instrukcijas norādītajām temperatūras vērtībām.** Ja iekārta tiek uzlādēta nepareizi vai tiek pārsniegtas instrukcijas norādītās uzlādēšanas temperatūras vērtības, akumulators var sabojāties un palielināt aizdegšanās risku.
- 6) **SERVISS**
  - a) **Elektroinstrumenta remontdarbus drīkst veikt tikai kvalificēts speciālists, izmantojot tikai oriģinālās rezerves daļas.** Tādējādi tiks garantēts elektroinstrumenta lietošanas drošums.
  - b) **Nekad neveiciet bojātam akumulatoru blokam remontdarbus pašrocīgi.** Bojāta akumulatoru bloka remontdarbus drīkst veikt tikai ražotājs vai pilnvaroti servisa darbinieki.

#### **DROŠĪBAS NORĀDĪJUMI DARBAM AR BEZKONTAKTU TURPATPAKĀLKUSTĪBAS ZĀGIEM**

- **Veicot darbu, kura laikā elektroinstrumenti var skart slēptus elektriskos vadus, turiet instrumentu tikai aiz izolētajām virsmām** (elektroinstrumentam skarot spriegumnesošus vadus, spriegums nonāk arī uz instrumenta metāla daļām un var izraisīt elektrisko triecienu)
- **Izmantojiet skavas vai kādu citu praktisku metodi, lai nostiprinātu un atbalstītu apstrādājamo materiālu uz stabilas platformas** (ja pieturēsiet apstrādājamo materiālu ar roku vai atbalstīsiet pret savu ķermeni, tas būs nestabils, un šādi jūs varat zaudēt vadību pār instrumentu)

#### **PIEDERUMI**

- Firma SKIL garantē instrumenta nevainojamu darbību

tikai tad, ja tiek lietoti oriģinālie papildpiederumi

- Lietojiet tikai tādus darbinstrumentus, kuru pieļaujamais darbības ātrums ir vismaz tikpat liels, kā instrumenta maksimālais brīvgaitas ātrums

#### **PIRMS DARBA UZSĀKŠANAS**

- Izvairieties no instrumenta bojājumiem, ko var radīt apstrādājamajā priekšmetā esošās skrūves, naglas vai citi līdzīgi objekti; pirms darba uzsākšanas atbrīvojiet apstrādājamo materiālu no šādiem priekšmetiem
- **Ar piemērota metālmeklētāja palīdzību pārbaudiet, vai apstrādes vietu nešķērso slēptas elektropārvades līnijas, kā arī gāzes vai ūdens caurules; šaubu gadījumā griezieties vietēja komunālās saimniecības iestādē** (darbinstrumentam skarot elektrotīkla fāzes līniju, var izcelties ugunsgrēks un strādājošais var saņemt elektrisko triecienu; gāzes vada bojājums var izraisīt sprādzienu; darbinstrumentam skarot ūdensvada cauruli, var tikt bojātas materiālās vērtības un strādājošais var saņemt elektrisko triecienu)

#### **PERSONIĢĀ DROŠĪBA**

- Šo instrumentu nedrīkst izmantot personas, kas jaunākas par 16 gadiem
- **Neapstrādājiet materiālus, kas satur azbestu** (azbestam piemīt kancerogēnas īpašības)
- Materiāla, piemēram svīnu saturošas krāsas, dažu koka šķirņu, minerālu un metāla, putekļi var būt kaitīgi (saskare ar putekļiem vai to ieelpošana var izraisīt alerģiskas reakcijas un/vai elpošanas ceļu saslimšanas operatoram vai klātesošajiem); **izmantojiet putekļu masku un putekšsūcēju, ja to iespējams pievienot**
- Dažu veidu putekļi ir klasificēti kā kancerogēni (piemēram, ozola vai dižskābarža putekļi), jo īpaši apvienojumā ar koksnes kondicionēšanas piedevām; **izmantojiet putekļu masku un putekšsūcēju, ja to iespējams pievienot**
- Ievērojiet ar putekļu savākšanu saistītos nacionālos noteikumus, kas attiecas uz apstrādājamajiem materiāliem
- **Turiet rokas drošā attālumā no zāga darbības zonas un zāga asmens; otru roku turiet uz cilindra ruktura D** (2) (turot zāgi ar abām rokām, pasargāsiet sevi no zāga asmens radītiem savainojumiem)
- **Nepieskarieties ar rokām apstrādājamā priekšmeta apakšējai daļai** (jūs neredzēsiet, cik tuvu asmens ir jūsu rokām)
- **Neturiet zāgējamo priekšmetu rokās un neatbalstiet to pret kāju** (lai mazinātu savainojumu gūšanas risku, zāga asmens iestrēgšanu, kā arī lai nezaudētu kontroli pār instrumentu, ir ļoti svarīgi pareizi atbalstīt apstrādājamo priekšmetu)
- **Neizmantojiet neausu vai bojātus asmeņus** (saliekti asmeņi var viegli salūzt vai radīt atstieni)
- **Ņemot laukā no instrumenta asmeni, izmantojiet aizsargcimdus** (zāga asmens pēc ilgākas lietošanas var būt karsts)
- Darba laikā uzvelciet aizsargbrilles un ausu aizsargus

#### **AKUMULATORI**

- **Komplektā iekļautais akumulators ir daļēji uzlādēts** (lai nodrošinātu pilnu akumulatora jaudu, pirms elektroinstrumenta pirmās izmantošanas reizes uzlādējiet to pilnībā, izmantojot uzlādes ierīci)
- **Izmantojiet tikai instrumenta piegādes komplektā ietilpstošos akumulatorus un uzlādes ierīces**
  - SKIL akumulators: BR1\*31\*\*\*\*
  - SKIL lādētājs: CR1\*31\*\*\*\*
- Nelietojiet bojātu akumulatoru; tas nekavējoties



jānomaina

- Neizjauciet akumulatoru
- Neatstājiet instrumentu/akumulatoru lietū
- Pieļaujamā apkārtējā gaisa temperatūra (instruments/lādētājs/akumulators):
  - uzlādes laikā 4...40 °C
  - darba laikā -20...+50 °C
  - uzglabāšanas laikā -20...+50 °C

## UZ INSTRUMENTA/AKUMULATORA ATTĒLOTO SIMBOLU SKAIDROJUMS

- ③ Pirms ekspluatācijas izlasiet instrukciju rokasgrāmatu
- ④ Ja akumulators tiks dedzināts, tas eksplodēs, tāpēc nekādā gadījumā to nededziniet
- ⑤ Uzglabājiet instrumentu/lādētāju/akumulatoru vietā, kur temperatūra nepārsniedz 50 °C
- ⑥ Neizmetiet elektroiekārtas un baterijas kopā ar sadzīves atkritumiem

## LIETOŠANA

- Akumulatora uzlādēšana  
**! izlasiet lādētāja komplektā iekļautos drošas lietošanas noteikumus un norādījumus**
- Akumulatora izņemšana/ievietošana ②
- Akumulatora uzlādes statusa indikators ⑦
  - Lai noskaidrotu akumulatora uzlādes līmeni ⑦a, nospiediet akumulatora līmeņa rādītāja pogu J
  - ! ja pēc J ⑦b pogas nospiešanas sāk mirgot akumulatora indikatora apakšējais līmenis, tas nozīmē, ka akumulators ir tukšs**
  - ! ja pēc pogas J ⑦c nospiešanas sāk mirgot 2 akumulatora indikatora līmeņi, tas nozīmē, ka akumulators neatrodas pieļaujamajā darba temperatūras diapazonā**
- Kombinētais slēdzis instrumenta ieslēgšanai un ātruma regulēšanai ar bloķēšanas pogu ⑧ ⑨
  - vispirms atbloķējiet, nospiežot pogu F
  - ieslēdziet instrumentu, nospiežot slēdzi G
  - izmainot spiedienu uz ieslēdzēju, plūstoši regulējiet darbavrpstas griešanās ātrumu no nulles vērtības līdz maksimālajai
  - izslēdziet, atlaižot slēdzi G
- Bloķēšanas pogu F var aktivizēt ⑧
  - aktivizēšanas gadījumā ieslēgšanas/izslēgšanas slēdzis tiek bloķēts, un tiek nodrošināts, ka ierīce nevar nejauši ieslēgties
- Duālās LED gaismas K ⑩
  - Duālās LED gaismas automātiski ieslēdzas, aktivizējot slēdzi G
  - ! LED gaismām sākot mirgot, tiek aktivizēta akumulatora aizsardzība (skatīt zemāk)**
- Akumulatora aizsardzība  
Instruments tiek tūlīt izslēgts vai arī to nav iespējams ieslēgt, ja
  - **pārāk liela slodze** -> samaziniet slodzi un ieslēdziet instrumentu no jauna
  - **akumulatora temperatūra ir ārpus atļautā darba diapazona no -20 līdz +50 °C** -> nospiežot pogu J ⑦c, sāk mirgot akumulatora 2 līmeņu rādītāja iedaļas; pagaidiet, līdz akumulatora temperatūra atkal ir atļautajā darba diapazonā
  - **akumulators ir gandrīz tukšs (aizsardzībai pret pilnīgu izlādi)** -> nospiežot pogu J, akumulatora līmeņa rādītājā ir attēlota zemākā akumulatora līmeņa

rādītāja iedaļa vai mirgojoša zemākā akumulatora līmeņa rādītāja iedaļa UB; uzlādējiet akumulatoru

**! pēc instrumenta automātiskas izslēgšanās nedrīkst spiest ieslēgšanas un izslēgšanas slēdzi, jo tā var sabojāt akumulatoru**

- Zāģa asmens uzstādīšana ⑪
  - ! pirms instrumenta regulēšanas vai piederumu nomaiņas izņemiet no instrumenta akumulatoru**
  - pagrieziet asmens skavu C tajā pašā virzienā kā bulta uz instrumenta un turiet to šādā pozīcijā
  - ielieciet asmeni (ar zobiem uz leju vai uz augšu) līdz galam
  - atlaidiet asmens skavu C
  - iespiediet asmeni un izraujiet to, lai pārbaudītu, vai asmens ir pareizi noblokējis
- Zāģa asmens noņemšana ⑪
  - ! pirms instrumenta regulēšanas vai piederumu nomaiņas izņemiet no instrumenta akumulatoru**
  - pagrieziet asmens skavu C tajā pašā virzienā kā bulta uz instrumenta un turiet to šādā pozīcijā
  - izvelciet laukā asmeni
  - atlaidiet asmens skavu C
- Instrumenta darbināšana
  - ! stingri pieskavojiet apstrādājamo priekšmetu**
  - atzīmējiet uz apstrādājamā priekšmeta griezuma līniju
  - uzstādiet akumulatoru instrumentā
  - ar vienu roku turiet instrumentu aiz roktura H un ar otru aiz izolētā cilindra roktura D
  - ieslēdziet instrumentu
  - virziet instrumentu pa atzīmēto griezuma līniju
  - lai samazinātu pretspēku un vibrāciju, turiet šarnīra kurpi B stingri piespiestu pie apstrādājamā priekšmeta
- Instrumenta turēšana un vadīšana
  - ! darba laikā vienmēr turiet instrumentu aiz pelēkās krāsas noturvirsma(ām) ⑫**
  - nenosprostojiet ventilācijas atveres E
  - darba laikā pārlieku nespiediet instrumentu; ļaujiet tam darboties nominālā režīmā
  - ! nodrošiniet, lai asmens priekšējais gals visā gājiena garumā izietu cauri apstrādājamajam priekšmetam ⑬**
- Kurpes pagriešana ⑭
  - nospiediet bloķēšanas pogu F bloķēšanas stāvoklī un pēc tam izņemiet akumulatoru no instrumenta.
  - stingri satveriet zāģi un pēc tam uzmanīgi pagrieziet kurpi B vajadzīgajā leņķī, lai izvairītos no saskares ar asmeni.
  - uzstādiet akumulatoru un sagatavojieties zāģēšanai

## PRAKTISKI PADOMI

- Zāģēšana ar iegremdēšanu ⑮
  - legremdesanas griezumus var veikt veikt kokā un citos mīkstos materiālos, vispirms izurbjot tajos caurumu
  - izmantojiet biezu zāģa asmeni
  - ! pirms instrumenta regulēšanas vai piederumu nomaiņas izņemiet no instrumenta akumulatoru**
  - atzīmējiet uz apstrādājamā priekšmeta vēlamo griezuma līniju
  - pielieciet instrumentu tā, lai asmens nepieskartos apstrādājamajam priekšmetam
  - ieslēdziet instrumentu un uzmanīgi virziet kustībā esošo zāģa asmeni apstrādājamajā priekšmetā
  - pēc tam, kad asmens ir izgājis cauri apstrādājamajam

priekšmetam, turpiniet žagēt pa atzīmēto griezuma līniju

**! nemēģiniet veikt iegremdēšanas griezumus metālā**

- Lietojiet apstrādājamā materiāla īpašībām piemērotus zāga asmeņus (16)
- Žagējot metālu, periodiski ieeļļojiet zāga asmeni
- Žagēšana bez apstrādājamā materiāla daļiņu atšķelšanās
  - pirms žagēšanas pārklājiet žagējuma līniju ar vairākiem slāņiem platas līmlentes
  - novietojiet apstrādājamo priekšmetu tā, lai žagēšanas laikā dekoratīvā puse būtu vērsta lejup
- Papildu informāciju skatīt tīmekļa vietnē [www.skil.com](http://www.skil.com)

## APKOPE/SERVISS

- Šis instruments nav paredzēts profesionālai lietošanai.
- Vienmēr uzturiet instrumentu tīru (īpaši ventilācijas atveres E (2))
  - ! pirms tīrīšanas izņemiet no instrumenta akumulatoru**
- Ja, neraugoties uz augsto izgatavošanas kvalitāti un rūpīgo pērcāžošanas pārbaudi, instruments tomēr sabojājas, tas jānogādā remontam firmas SKIL pilnvarotā elektroinstrumentu remonta darbnīcā.
  - nogādājiet instrumentu neizjauktā veidā kopā ar iegādes dokumentiem tuvākajā tirdzniecības vietā vai firmas SKIL pilnvarotā pēciegādes apkalpošanas un remonta iestādē (adrese un instrumenta apkalpošanas shēma ir sniegta interneta vietnē [www.skil.com](http://www.skil.com))
- Ievērojiet, ka garantijā neietilpst pārslodzes vai nepareizas instrumenta ekspluatācijas izraisītie bojājumi (SKIL garantijas noteikumus skatiet [www.skil.com](http://www.skil.com) vai vērsieties pie izplatītāja)

## APKĀRTĒJĀS VIDES AIZSARDZĪBA

- Neizmetiet elektroiekārtas, baterijas, piederumus un iesaiņojuma materiālus sadzīves atkritumos (tikai ES valstīm)
  - saskaņā ar Eiropas Savienības direktīvu 2012/19/ES par nolietotajām elektriskajām un elektroniskajām iekārtām un tās atspoguļojumiem nacionālajā likumdošanā, nolietotas elektroiekārtas ir jāsavāc, jāizjauc un jānogādā otrreizējai pārstrādei apkārtējai videi nekaitīgā veidā
  - Simbols (6) atgādina par nepieciešamību tos likvidēt videi nekaitīgā veidā.
- ! pirms akumulatora utilizācijas tā kontakti jāaplīmē ar izolācijas lenti, lai nepieļautu īssavienojuma rašanos starp tiem**

## TROKSNIS / VIBRĀCIJA

- Veicot mērījumus atbilstoši EN 62841, šī instrumenta akustiskā spiediena līmenis ir **87 dB(A)** un akustiskās jaudas līmenis ir **98 dB(A)** (nenoteiktība  $K = 3$  dB), bet vibrācija\* (triaksiālā vektora summa; nenoteiktība  $K = 1,5$  m/s<sup>2</sup>)
  - \* žagēšanas dēlis **10,58** m/s<sup>2</sup>
  - \* žagējot koka baļķus **8,46** m/s<sup>2</sup>
- Vibrācijas līmenis ir noteikts, izmantojot standartā EN 62841 paredzēto procedūru; to var izmantot, lai

salīdzinātu instrumentus un provizoriski izvērtētu vibrācijas iedarbību, lietojot instrumentu minētajiem mērķiem

- instrumenta izmantošana citiem mērķiem vai ar citiem vai nepietiekami koptiem piederumiem var ievērojami **palielināt** kopējo vibrācijas iedarbības pakāpi
- laika periodi, kad instruments ir izslēgts vai arī ir ieslēgts, taču darbs ar to nenotiek, var ievērojami samazināt kopējo vibrācijas iedarbības pakāpi, samazinot iedarbības līmeni

**! pasargājiet sevi no vibrācijas iedarbības, veicot instrumenta un tā piederumu tehnisko apkopi, novēršot roku atdzīšanu un pareizi organizējot darbu**

LT

## Belaidis tiesinis pjūklas su bešpečių varikliu

3475

## ĮVADAS

- Šis įrankis skirtas medienai, plastikui, metalui ir statybinėms medžiagoms pjauti, taip pat medžiams genėti.
- Šis įrankis neskirtas profesionaliam naudojimui.
- Perskaitykite ir išsaugokite šią naudojimo instrukciją. (3)

## TECHNINIAI DUOMENYS (1)

## ĮRANKIO DALYS (2)

- A Geležtė
- B Pakreipiama atrama
- C Geležtės spaustuvas
- D Korpuso sugriebimo vieta
- E Ventilacinės angos
- F Užrakinimo mygtukas
- G Įjungimo ir išjungimo ir greičio reguliavimo jungiklis
- H Rankena
- J Baterijos įkrovos lygio indikatorius mygtukas
- K Dvi LED lemputės

## SAUGA

### BENDRIEJI ĮSPĖJIMAI DĖL DARBO SU ELEKTRINIŲ ĮRANKIŲ SAUGOS

**⚠ ĮSPĖJIMAS** Perskaitykite visus su šiuo elektriniu įrankiu pateiktus įspėjimus dėl saugos, instrukcijas, peržiūrėkite paveikslus ir specifikacijos. Nesilaikant visų toliau išdėstytų nurodymų galima patirti elektros smūgį, sukelti gaisrą ir (ar) sunkiai susižaloti.

### Išsaugokite visas instrukcijas su įspėjimais, nes jų gali prireikti ateityje.

Įspėjimuose vartojamu terminu „elektrinis įrankis“ nurodomas iš elektros lizdo maitinamas (laidinis) arba baterija maitinamas (belaidis) elektrinis įrankis.

#### 1) SAUGA DARBO VIETOJE

- a) Darbo vieta turi būti švari ir gerai apšviesta. Jei

- darbo vieta netvarkinga ar blogai apšviesta, gali įvykti nelaimingas atsitikimas.
- b) **Nedirbkite su elektriniu įrankiu sprogoje aplinkoje, pavyzdžiui, ten, kur yra degių skysčių, dujų arba dulkių.** Elektriniai įrankiai gali kibirkščiuoti, o nuo kibirkščių gali užsidegti dulkės arba susikaupę garai.
  - c) **Dirbdami su elektriniu įrankiu, neleiskite artintis vaikams ir pašaliniais asmenimis.** Dėl dėmesio blaškymo galite nesuvaldyti įrankio.
- 2) ELEKTROSAUGA**
- a) **Elektrinio įrankio kištukas turi tikti elektros lizdui.** Niekada ir jokiais būdais nebandykite perdaryti kištuko. Su įžemintais elektriniais įrankiais **nenaudokite jokių kištuko adapterių.** Originalūs kištukai, tiksliai tinkantys elektros tinklo lizdui, sumažina elektros smūgio pavojų.
  - b) **Nesilieskite prie įžemintų paviršių, pavyzdžiui, vamzdžių, radiatorių, viryklių ir šaldytuvų.** Jei jūsų kūnas bus įžemintas, padidės elektros smūgio pavojus.
  - c) **Saugokite elektrinius įrankius nuo lietaus ir drėgmės.** Į elektrinio įrankio vidų patekus vandeniui padidėja elektros smūgio pavojus.
  - d) **Atsargiai elkitės su maitinimo laidu.** Niekada **neneškite ir netempkite elektrinio įrankio, laikydami už maitinimo laido.** Netraukite laikydami už maitinimo laido, norėdami ištraukti kištuką iš elektros lizdo. **Saugokite laidą nuo kaitros šaltinių, alyvos, aštrių briaunų ir judančių dalių.** Pažeidus arba supainiojus laidus išauga pavojus patirti elektros smūgį.
  - e) **Kai elektriniu įrankiu dirbate lauke, naudokite laukui skirtą laidą ilgintuvą.** Naudojant laukui skirtą maitinimo laidą, sumažėja pavojus patirti elektros smūgį.
  - f) **Jeigu elektrinio įrankio naudojimas drėgnoje vietoje yra neišvengiamas, naudokite maitinimo šaltinį su liekamąja srove valdomu atjungimo įtaisu (RCD).** RCD naudojimas sumažina elektros smūgio pavojų.
- 3) ASMENINĖ SAUGA**
- a) **Dirbdami su elektriniu įrankiu būkite budrūs, stebėkite, ką darote, ir vadovaukitės sveika nuovoka.** Nedirbkite su elektriniu įrankiu, jei esate pavargę arba vartojote narkotikus, alkoholį ar medikamentus. Dirbant su elektriniais įrankiais pakanka vienos neatidomu akimirkos ir galima sunkiai susižaloti.
  - b) **Naudokite asmeninės apsaugos priemones. Visada būkite su apsauginiais akiniais.** Atitinkamomis sąlygomis naudojamos apsaugos priemonės, pvz., respiratorius, neslidūs apsauginiai batai, šalmas arba ausinės, sumažina pavojų susižaloti.
  - c) **Apsisaugokite nuo atsitiktinio įrankio įsijungimo.** Prieš įjungdami prie maitinimo šaltinio ir (ar) sudėtinės baterijos, prieš įrankį keldami arba nešdami įsitikinkite, kad jungiklis yra išjungimo padėtyje. Nešant elektrinius įrankius uždėjus pirštą ant jungiklio arba netyčia įjungiant elektrinį įrankį su įjungtu jungikliu, gali įvykti nelaimingas atsitikimas.
  - d) **Prieš įjungdami elektrinį įrankį, patraukite į šalį visus reguliavimo raktus ir veržliarakčius.** Elektrinio įrankio sukamojoje dalyje likus raktui ar veržliarakčiui galima susižaloti.
  - e) **Nesistenkite pasiekti pernelyg toli. Visada stovėkite tvirtai ir išlaikykite pusiausvyrą.** Tuomet geriau suvaldysite elektrinį įrankį netikėtose situacijose.
- f) **Dėvėkite tinkamus drabužius. Nedėvėkite laisvų drabužių ir nenešiokite laisvai kabančių papuošalų.** Saugokite savo plaukus ir drabužius nuo judamų dalių. Laisvus drabužius, papuošalus ar ilgus plaukus gali įtraukti judamosios dalys.
  - g) **Jei yra įtaisai, skirti dulkių išsiurbimo ir surinkimo įtaisams prijungti, tinkamai juos prijunkite ir naudokite.** Naudojant dulkių surinkimo įrenginius, gali sumažėti su dulkėmis susijusių pavojų.
  - h) **Dažnai naudodami įrankius pernelyg savimi nepasitikėkite ir nepraraskite budrumo, kad paisytumėte saugaus įrankio naudojimo taisyklių.** Užtenka akimirkos išsiblaškyti, kad dėl neatsargaus veiksmo sunkiai susižalotumėte.
- 4) ELEKTRINIŲ ĮRANKIŲ NAUDOJIMAS IR PRIEŽIŪRA**
- a) **Elektrinio įrankio pernelyg nespauskite.** Naudokite jūsų darbiui tinkamą elektrinį įrankį. Veikdamas numatytuojų greičiu, tinkamas elektrinis įrankis darbą atlieka veiksmingiau ir saugiau.
  - b) **Nenaudokite elektrinio įrankio, jeigu jo negalima įjungti ar išjungti jungikliu.** Bet koks elektrinis įrankis, kurio jungiklis neveikia, yra pavojingas, tad jį būtina sutaisyti.
  - c) **Prieš reguliuodami elektrinį įrankį, keisdami jo priedus arba padėdami jį į laikymo vietą, atjunkite kištuką nuo maitinimo šaltinio ir (ar) sudėtinę bateriją nuo įrankio.** Ši saugumo priemonė apsaugos jus nuo netyčinio elektrinio įrankio įjungimo.
  - d) **Nenaudojamus elektrinius įrankius laikykite vaikams neprieinamoje vietoje.** Su elektriniu įrankiu neleiskite dirbti asmenims, nesupažinusiems su įrankiu arba šia instrukcija. Neapmokytų naudotojų naudojami elektriniai įrankiai kelia pavojų.
  - e) **Tinkamai prižiūrėkite elektrinius įrankius ir jų priedus.** Tikrinkite, ar sukamos jų dalys išcentruotos ir nestringa, ar nėra sulūžusių dalių ir kitų sąlygų, galinčių turėti įtakos elektrinio įrankio veikimui. Jei elektrinis įrankis sugedęs, prieš naudodami jį suremontuokite. Daugelio nelaimingų atsitikimų priežastis yra netinkama elektrinių įrankių priežiūra.
  - f) **Pjovimo įrenginiai turi būti aštrūs ir švarūs.** Tinkamai prižiūrimi pjovimo įrankiai aštriais asmenimis rečiau stringa ir lengviau valdomi.
  - g) **Elektrinį įrankį, priedus, antgalius ir kitas dalis naudokite pagal šią instrukciją, atsižvelgdami į darbo sąlygas ir atliekamą darbą.** Naudojant elektrinius įrankius ne pagal paskirtį gali susidaryti pavojingos aplinkybės.
  - h) **Įrankių rankenos ir sugriebimo paviršiai turi būti sausi, švarūs ir neištepti alyva ar tepalu.** Dėl slidžių rankenų ir sugriebimo paviršių įrankį sunku saugiai valdyti ir jis gali išsprūsti netikėtomis aplinkybėmis.
- 5) AKUMULIATORINIŲ ĮRANKIŲ NAUDOJIMAS IR PRIEŽIŪRA**
- a) **Kraukite naudodami tik gamintojo nurodytą įkroviklį.** Naudojant įkroviklį, skirtą kito tipo sudėtinei baterijai, gali kilti gaisro pavojus.
  - b) **Elektrinius įrankius naudokite tik su jiems skirtomis sudėtinėmis baterijomis.** Naudojant kitokias sudėtines baterijas gali kilti sužalojimų ir gaisro pavojus.
  - c) **Nenaudojamą sudėtinę bateriją reikia saugoti nuo metalinių daiktų, tokių kaip sąvaržėlės, monetos, raktai, viny, varžtai ar kiti smulkūs metaliniai**

**daiktai, kurie gali sujungti abu baterijos gnybtus.** Įvykus trumpajam jungimui tarp baterijos gnybtų galima nusidiegti ar gali kilti gaisras.

- d) **Dėl netinkamų sąlygų iš baterijos gali ištėkėti skystis – nelieskite jo.** Skysčiui atsitiktinai patekus ant odos, nedelsiant nuplaukite vandeniu. Jeigu skysčio pateko į akis, papildomai kreipkitės pagalbos į gydytojus. Iš baterijos ištėkėjęs skystis gali dirginti arba nudeginti.
  - e) **Nenaudokite pažeistos ar modifikuotos sudėtinės baterijos ar įrankio.** Tokios netinkamos sudėtinės baterijos gali kelti gaisro, sprogo ar sužalojimo pavojų.
  - f) **Sudėtinės baterijos ar įrankio negalima deginti ar kaitinti.** Bateriją deginant ar įkaitinus virš 130 °C ji gali sprogti.
  - g) **Laikykitės įrankio ar sudėtinės baterijos įkrovimo instrukcijų ir įkrovimą vykdykite nurodytame temperatūrų diapazone.** Priešingu atveju galite sugadinti sudėtinę bateriją ar net sukelti gaisrą.
- 6) TECHNINĖ PRIEŽIŪRA**
- a) **Jūsų elektrinio įrankio techninės priežiūros darbus gali vykdyti tik kvalifikuotas remonto meistras, naudodamas tik identiškas atsargines dalis.** Tokiu būdu elektrinis įrankis išliks saugus.
  - b) **Niekada neremontuokite sugadintos sudėtinės baterijos.** Tokias baterijas remontuoti gali tik gamintojas arba įgalioto techninės priežiūros centro specialistai.

## DARBO SU TIESINIŲ PJŪKLU SU BEŠEPEČIU VARIKLIU SAUGOS INSTRUKCIJOS

- Jei vykdate darbus, kurių metu darbo įrankis gali kliudyti paslėptus elektros laidus, tuomet elektrinį įrankį laikykite už izoliuotų rankenų (pažeidus laidą, kuriuo teka elektros srovė, metalinėse elektrinio įrankio dalyse gali atsirasti įtampa ir ištikti elektros smūgis).
- Darbo ruošinį prie stabiliaus pagrindo pritvirtinkite spaustuvais ar kitomis tinkamomis priemonėmis (rankoje laikomas ar į kūną atremtas ruošinys yra nestabilus ir galite nesuvaldyti jo arba įrankio).

### PRIEDAI

- SKIL gali užtikrinti neprikaištingą įrankio veikimą tik tuo atveju, jei naudojama originali papildoma įranga ir priedai.
- Leidžiama naudoti tik tokius įrankius, kurių maksimalus leistinas sūkių skaičius yra ne mažesnis, nei maksimalus jūsų įrankio sūkių skaičius.

### PRIEŠ DARBĄ

- Saugokite, kad nesugadintumėte įrankio į sraigtus, vinis ir kitas kliūtis ruošinyje; prieš pradėdami darbą juos pašalinkite.
- **Su tinkamais ieškikliais patikrinkite, ar darbo zonoje nėra paslėptų komunalinių tinklų vamzdinių, arba pasikvieskite į pagalbą vietinius komunalinių paslaugų tiekėjus** (pažeidus elektros laidą gali kilti gaisro ar elektros smūgio pavojus; pažeidus dujotiekio vamzdį, gali įvykti sprogo; pažeidus vandentiekio vamzdį, galima sugadinti turtą arba gali kilti elektros smūgio pavojus).

### ASMENINĖ SAUGA

- Šį įrankį gali naudoti tik asmenys nuo 16 metų amžiaus.
- **Nepjaukite medžiagų, kurių sudėtyje yra asbesto** (asbestas gali sukelti vėžį).
- Kai kurių medžiagų, kaip antai dažų, kurių sudėtyje

yra švino, kai kurių medžių rūšių medienos, mineralų ir metalo dulksės gali būti kenksmingos (sąlytis su šiomis dulksėmis arba įkvėptos dulksės gali sukelti operatoriui arba šalia esantiems žmonėms alergines reakcijas ir (ar) kvėpavimo sistemos susirgimus); **mūvėkite apsaugos nuo dulkių kaukę ir dirbdami naudokite dulkių ištraukimo įrenginį, jei jį galima prijungti.**

- Kai kurių rūšių dulksės priskiriamos kancerogeninėms (pvz., ažuolo arba buko medienos dulksės), ypač susimaišiusios su medienos taurinimui naudojamais priedais; **mūvėkite apsaugos nuo dulkių kaukę ir dirbdami naudokite dulkių ištraukimo įrenginį, jei jį galima prijungti.**
- Vadovaukitės šalyje taikomų direktyvų reikalavimais, skirtais medžiagoms, su kuriomis norite dirbti.
- **Patraukite rankas nuo pjovimo vietos ir geležtės; kita ranka laikykite įrankio korpusą jo sugriebimo vietoje D ②** (jei pjūklą laikysite abiem rankom, geležtė negalės jų įpjauti).
- **Nebandykite siekti pjaunamo ruošinio iš apačios** (jūs negalite matyti, koks atstumas nuo geležtės iki jūsų rankos).
- **Pjaunamo ruošinio niekada nelaikykite rankose ar pasidėję ant kojos** (labai svarbu ruošinį tinkamai paremti, kad išlaikytumėte stabilią kūno padėtį, neužstrigtų pjūklo geležtė ar neprarastumėte kontrolės).
- **Nenaudokite atšipusių ar sugadintų geležčių** (sulenkta geležtės gali lengvai lūžti arba sukelti atatrangą).
- **Ištraukdami geležtę iš įrankio mūvėkite apsaugines pirštines** (pjūklo geležtė po ilgesnio naudojimo gali būti įkaitusi).
- Naudokite apsauginius akinius ir klausos apsaugos priemones.

### BATERIJOS

- Pridedama baterija yra iš dalies įkrauta (kad baterija veiktų visa galia, prieš pirmą kartą naudodami savo elektrinį įrankį iki galo ją įkraukite, įstatę į baterijų įkroviklį).
- Su šiuo įrankiu naudokite tik šias baterijas ir įkroviklius:
  - SKIL baterija: BR1\*31\*\*\*\*
  - SKIL įkroviklis: CR1\*31\*\*\*\*
- Nenaudokite pažeistų baterijų; jas būtina pakeisti.
- Baterijų neardykite.
- Nepalikite įrankio ir baterijos lietuje.
- Leistina aplinkos temperatūra (įrankio, įkroviklio, baterijos):
  - įkrovimo metu 4...40 °C
  - darbo metu -20...+50 °C
  - laikymo metu -20...+50 °C

### SIMBOLIŲ ANT ĮRANKIO IR BATERIJOS PAAIŠKINIMAS

- ③ Prieš naudojant įrankį perskaityti instrukcijų vadovą.
- ④ Įmestos į ugnį baterijos gali sprogti; draudžiama baterijas deginti.
- ⑤ Laikyti įrankį / įkroviklį / bateriją vietoje, kurioje temperatūra neviršija 50 °C.
- ⑥ Elektrinius įrankius ir baterijas draudžiama išmesti kartu su buitinėmis atliekomis.

## NAUDOJIMAS

- Baterijos įkrovimas
- **! Perskaitykite saugos įspėjimus ir instrukcijas, pateiktas kartu su įkrovikliu.**
- Baterijos išėmimas ir įstatymas ②

- Baterijos įkrovos indikatorius ⑦:
  - spustelėkite baterijos įkrovos indikatoriaus mygtuką J, jei norite pamatyti baterijos įkrovos lygį ⑦a
  - ! **Jei paspaudus mygtuką J ⑦b pradeda mirksėti mažiausias baterijos įkrovos indikatorius, tai reiškia, kad baterija išsikrovusi.**
  - ! **Jei paspaudus mygtuką J ⑦c pradeda mirksėti 2 baterijos įkrovos indikatoriai, tai reiškia, kad aplinkos temperatūra nėra leistiname darbo diapazone.**
- Bendras įjungimo ir išjungimo bei greičio reguliavimo jungiklis su fiksavimo mygtuku ⑧ ⑨
  - pirmiausia atrinkite paspausdami mygtuką F;
  - įjunkite įrankį paspausdami pagrindinį jungiklį G;
  - greitis nuo nulinio iki maksimalaus reguliuojamas stipriau ar silpniau spaudžiant jungiklį;
  - išjunkite įrankį atleisdami jungiklį G.
- Fiksavimo mygtuką F galima užfiksuoti ⑧
  - įjungus, pagrindinis jungiklis blokuojamas ir įrankis apsaugomas nuo netyčinio įjungimo.
- Dvi LED lemputės K ⑩
  - Abi LED lemputės automatiškai užsidega paspaudus jungiklį G.
  - ! **Jei LED lemputė pradeda mirksėti, tai reiškia, kad suveikė baterijos apsauga (žr. toliau).**
- Baterijos apsauga
  - Įrankis staiga išsijungia arba jo nepavyksta įjungti, jeigu:
    - **apkrova per didelė** --> pašalinkite apkrovą ir vėl įjunkite įrankį;
    - **baterijos temperatūra nėra leistiname darbo diapazone nuo -20 °C iki +50 °C** --> paspaudus mygtuką J ⑦c pradeda mirksėti 2 baterijos įkrovos indikatoriai; palaukite, kol baterijos temperatūra grįš į leistiną darbo diapazoną;
    - **baterija beveik išsikrovusi (apsauga nuo visiško išsikrovimo)** --> paspaudus mygtuką J rodomas žemas baterijos lygis arba mirksi žemo įkrovos lygio indikatorius; bateriją reikia pakeisti.
  - ! **Nelaikykite nuspaudę pagrindinio jungiklio, jei įrankis išsijungė automatiškai, nes galite sugadinti bateriją.**
- Pjūklo geležtės tvirtinimas ⑪
  - ! **Prieš įrankį reguliuodami ar keisdami priedus atjunkite bateriją.**
  - pasukite geležtės spaustuvą C rodyklės ant įrankio kryptimi ir laikykite pasukę;
  - iki galo įstumkite geležtę (dantukais į viršų ar apačią);
  - atleiskite geležtės spaustuvą C.
  - pabandykite įstumti ar ištraukti geležtę, kad įsitikintumėte, ar ji tinkamai užsifiksavo.
- Pjūklo geležtės nuėmimas ⑪
  - ! **Prieš įrankį reguliuodami ar keisdami priedus atjunkite bateriją.**
  - pasukite geležtės spaustuvą C rodyklės ant įrankio kryptimi ir laikykite pasukę;
  - ištraukite geležtę;
  - atleiskite geležtės spaustuvą C.
- Įrankio naudojimas:
  - ! **Tvirtai prispauskite darbo ruošinį.**
  - pažymėkite pjūvio liniją ant ruošinio;
  - prijunkite prie įrankio bateriją;
  - įrankį viena ranka laikykite už rankenos H, o kita – už izoliuotos korpuso sugriebimo vietos D;

- įjunkite įrankį;
- kreipkite įrankį pažymėta pjūvio linija;
- tvirtai laikykite pakrepiamą atramą B prispausta prie ruošinio, kad iki minimumo sumažėtų pasipriešinimas ir vibracija.
- Įrankio laikymas ir valdymas:
  - ! **Dirbdami visada laikykite įrankį už pilka spalva pažymėtų sugriebimo vietų ⑫**
  - neuždenkite ventiliacinių angų E;
  - nespauskite įrankio pernelyg stipriai; tegul jis dirba už jus.
  - ! **Pjūklo geležtė turi būti išlindusi kitoje darbo ruošinio pusėje visos jos eigos metu ⑬**
- Atramos pakreipimas ⑭
  - įspauskite fiksavimo mygtuką F į užrakintą padėtį ir po to išimkite iš įrankio sudėtinę bateriją;
  - tvirtai laikykite pjūklą ir pasukite atramą B norimu kampu taip, kad nekludytumėte geležtės;
  - vėl įstatykite sudėtinę bateriją ir pasiruoškite pjauti.

## NAUDOJIMO PATARIMAI

- Pjovimas įstumiant pjūklą ⑮
  - Pjūvius įstumiant pjūklą ir negrežiant-skyklės galima daryti medienoje ir kitose minkštos medžiagoje:
    - naudokite storas pjūklo geležtes;
  - ! **Prieš įrankį reguliuodami ar keisdami priedus atjunkite bateriją.**
  - pažymėkite reikiamą pjovimo liniją ant darbo ruošinio;
  - pakreipkite įrankį taip, kad geležtė neliestų ruošinio;
  - įjunkite įrankį ir atsargiai nuleiskite judančią geležtę į ruošinį;
  - geležtei įsikverbus į ruošinį pjaukite pažymėta pjovimo linija.
  - ! **Nepjaukite įstumdami pjūklą metalinėse medžiagose.**
- Naudokite tinkamas pjūklo geležtes ⑮
- Pjaudami metalą periodiškai sutepinkite geležtę alyva.
- Pjovimas be atplaišų:
  - prieš pjaudami pjūvio liniją užklijuokite kelias sluoksniais lipnios juostos;
  - apverskite ruošinį gerąja puse į apačią.
- Daugiau informacijos rasite internete [www.skil.com](http://www.skil.com).

## TECHNINĖ PRIEŽIŪRA IR REMONTAS

- Šis įrankis neskirtas profesionaliam naudojimui.
- Įrankis visada turi būti švarus (ypač ventiliacinės angos E ②)
- ! **Prieš valydami išimkite iš įrankio bateriją.**
- Jeigu įrankis, nepaisant gamykloje atliekamo kruopštaus gamybos ir kontrolės proceso, vis dėlto sugestų, jo remontas turi būti atliekamas įgaliotose SKIL elektrinių įrankių remonto dirbtuvėse:
  - neišardytą įrankį kartu su pirkimo čekiu siųskite įrankio pardavėjui arba į artimiausią SKIL įmonės įgaliotą techninės priežiūros centrą (adresus bei atsarginių dalių brėžinius rasite [www.skil.com](http://www.skil.com)).
- Turėkite omeny, kad garantija netaikoma, jei gedimas atsiranda dėl perkrovos ar netinkamo naudojimo (dėl SKIL garantijos sąlygų žr. [www.skil.com](http://www.skil.com) arba kreipkitės į pardavėją).

## APLINKOSAUGA



- Немеските електрични ѝрканки, батерији, papildomos ѝрangkanos ir pakuoтeтs j buitiniu atlieku konteinerius (galioja tik ES valstybems):
  - pagal ES Direktyvą 2012/19/EB dėl naudotų eлектриниu ir електронiniu prietaisu atlieku utilizavimo ir pagal galiojančius nacionalinius įstatymus netinkami naudoti eлектриiniai ѝrrankiai turi būti surenkami atskirai ir pristatyti j tokiu atlieku surinkimo vietas;
  - simbolis (E) primins apie tai, kai tokią ѝrangą reikės išmesti.
- ! **Prieš išmesdami bateriją izoliuokite jos kontaktus, kad neįvyktų trumpasis jungimas.**

## TRIUKŠMAS / VIBRACIJA

- Išmatavus pagal EN62841 šio ѝrankio garso slėgio lygis yra **87 dB(A)**, garso galios lygis yra **98 dB(A)** (neapibrėžtis  $K = 3$  dB), o vibracija \* (trishio vektoriaus suma; neapibrėžtis  $K = 1,5$  m/s<sup>2</sup>).
  - \* pjaunant plokštes **10,58** m/s<sup>2</sup>
  - \* pjaunant medines sijas **8,46** m/s<sup>2</sup>
- Vibracijos sklaidos lygis išmatuotas pagal standarte EN 62841 išdėstytus standartizuoto bandymo reikalavimus; ši vertė gali būti naudojama vienam ѝrankiui palyginti su kitu bei išankstiniam vibracijos poveikiui įvertinti, kai ѝrankis naudojamas paminėtais būdais:
  - naudojant ѝrankį kitokiais būdais arba su kitokiais bei netinkamai prižiūrimais priedais, gali ženkliai **išaugti** poveikio lygis;
  - kai ѝrankis išjungtas arba yra įjungtas, tačiau juo nedirbama, gali ženkliai sumažėti poveikio lygis.
- ! **Apsisaugokite nuo vibracijos poveikio prižiūradami ѝrankį ir jo priedus, laikydami rankas šiltai ir derindami darbo ciklus su pertraukėlėmis.**

МК

**Безжична повратна  
пила без четки**

**3475**

## УПАТСТВО

- Овој алат е наменет за сечење на дрво, пластика, метал и градежни материјали, како и за поткастрување и кратење на дрвја.
- Овој алат не е наменет за професионална употреба.
- Внимателно прочитајте го и зачувајте го ова упатство за ракување.③

## ТЕХНИЧКИ ПОДАТОЦИ ①

## ЕЛЕМЕНТИ НА АЛАТОТ ②

- A Сечило
- B Кочна папуча
- C Држач за сечило
- D Кружната дршка
- E Отвори за вентилација
- F Копче за заклучување
- G Прекинувач за вклучување/исклучување и контрола на брзината
- H Рачка
- J Копче за индикаторот за нивото на батеријата

К Двојни ЛЕД-светилки

## БЕЗБЕДНОСТ

### ОПШТИ ПРЕДУПРЕДУВАЊА ЗА БЕЗБЕДНОСТ НА ЕЛЕКТРИЧНИТЕ АЛАТИ

**⚠ ПРЕДУПРЕДУВАЊЕ Прочитајте ги сите безбедносни предупредувања, упатства, слики и спецификации што се обезбедуваат со овој алат.** Непочитувањето на сите упатства подолу може да доведе до електричен удар, пожар и/или сериозна повреда.

**Чувајте ги сите предупредувања и упатства за понатамошно упатување.**

Поимот „електричен алат“, кој се користи во предупредувањата, се однесува на вашиот електричен алат (со приклучен кабел) или на електричен алат со погон на батерија (без приклучен кабел).

### 1) БЕЗБЕДНОСТ НА РАБОТНОТО МЕСТО

- a) **Одржувајте го работното место чисто и добро осветлено.** Неуреден или темен работен простор може да предизвика незгоди.
- b) **Немојте да работите со електрични алати во средини во кои има опасност од експлозија, како на пример во кои има запалливи течности, гасови или прашина.** Електричните алати создаваат искри коишто може да запалат прашина или испарувања.
- c) **Држете ги децата и другите лица подалеку додена ракувате со електричен алат.** Може да изгубите контрола ако нешто ви го одзема вниманието.

### 2) ЕЛЕКТРИЧНА СИГУРНОСТ

- a) **Приклучоците за електричниот алат мораат да одговараат на штенерот. Никогаш на никаков начин не го менувајте приклучомот. Не користете никакви адаптери за приклучоци со (заземјени) електрични алати. Немодифицираните приклучоци и соодветните штекери ќе ја намалат опасноста од струен удар.**
- b) **Избегнувајте допир на телото со заземјени површини, како што се цевни, радијатори, шпорети и фрижидери.** Постои зголемена опасност од струен удар, доколку вашето тело е заземјено.
- c) **Не ги изложувајте електричните алати на дожд или влага.** Продирањето на вода во електричниот уред ќе ја зголеми опасноста од струен удар.
- d) **Немојте да го злоупотребувате кабелот за напојување. Никогаш не го користете кабелот за напојување за носење, влечење или исклучување на електричниот алат. Чувајте го кабелот за напојување подалеку од топлина, масло, остри ивици или подвижни делови.** Оштетените или заплетканите кабли за напојување ја зголемуваат опасноста од струен удар.
- e) **Кога го употребувате електричниот алат надвор, користете продолжен кабел кој е соодветен за употреба на отворен простор.** Користењето на кабел соодветен за работа на отворен простор ја

намалува опасноста од струен удар.

- f) **Доколку не може да се избегне работа со електричниот алат во влажна средина, користете заштитен уред што работи на резидуална струја (RCD).** Употребата на RCD ја намалува опасноста од струен удар.
- 3) **ЛИЧНА ЗАШТИТА**
- a) **Бидете внимателни, внимавajte што правите и постапувајте разумно додена работите со електричниот алат. Никогаш не работете со електричен алат ако сте уморни или под влијание на дрога, алкохол или лекови.** Момент на невнимание при работење со електрични алати може да доведе до сериозна лична повреда.
- b) **Носете лична заштитна опрема. Секогаш носете заштитни очила.** Носењето на заштитна опрема, како што е маска за прашина, безбедносни обувки кои не се лизгаат, заштитен шлем или штитници за уши, употребени во соодветни услови, ја намалуваат опасноста од лични повреди.
- c) **Спречете случајно вклучување. Осигурете се дека прекинувачот е на позицијата off (исклучено) пред приклучувањето на изворот на напојување и/или батеријата, подигнувањето или носењето на алатот.** Носењето на електричниот алат со вашиот прст на прекинувачот или вклучување на електрични алати со прекинувачот поставен на позиција on (приклучено) доведува до несреќи.
- d) **Пред вклучување на електричниот алат отстранете ги сите клучеви за подесување или алати за навртување.** Алат или клуч што е оставен прикачен на ротациониот дел на уредот, може да доведе до лична повреда.
- e) **Не посегнувајте преку одредената граница. Цело време одржувајте правилен став и рамнотежа.** На тој начин можете подобро да го контролирате електричниот алат во неочекувани ситуации.
- f) **Носете соодветна облека. Не носете широка облека или накит. Чувајте ги косата и обленката подалек од подвижните делови.** Широката облека, накитот или долгата коса може да се фатат во подвижните делови.
- g) **Доколку се обезбедени уреди за приклучување на апарати за вшмукување и собирање прашина, осигурете се дека тие се правилно приклучени и користени.** Користењето на уреди за собирање прашина може да ги намали опасностите поврзани со прашиката.
- h) **Не дозволувајте искуството стенкато со честата употреба на алатите да ве направи невнимателни и да ги игнорирате безбедносните принципи при нивното користење.** Невнимателната активност може да предизвика сериозна повреда во дел од секунда.
- 4) **УПОТРЕБА НА ЕЛЕКТРИЧНИ АЛАТИ И ГРИЖА ЗА НИВ**
- a) **Не препотварувајте го електричниот алат.** Користете ја правилната електрична алатка наменета за вашата работа. Со соодветниот електричен алат ќе ја завршите работата подобро и побезбедно во однос на тоа за што е наменет.
- b) **Не користете го електричниот алат ако**

**прекинувачот не може правилно да се вклучи и исклучи.** Секој електричен алат кој не може да се контролира со помош на приклучок е опасен и мора да се поправи.

- c) **Исклучете го електричниот алат од струја и/или извадете го комплетот со батерии од електричниот алат, ако се одделува, пред да правите некакви прилагодувања, менувате дополнителна опрема или да ги складирате електричните алати.** Со овие превентивни безбедносни мерки се намалува опасноста од случајно вклучување на електричниот алат.
- d) **Складирајте ги електричните алати во мирување надвор од дофатот на деца и не им допуштајте работа со уредот на лица кои не се запознаени со него или кои го немаат прочитано ова упатство.** Електричните алати се опасни доколку со нив работат нестручни лица.
- e) **Одржувајте ги електричните алати и дополнителната опрема.** Проверете дали има изместување или заглавување на подвижните делови, дали некои делови се счрпени или се во некоја друга состојба што влијае врз работата на електричниот алат. Ако е оштетен, однесете го алатот на поправка пред да го користите. Многу несреќи се случуваат заради неодржан електричен алат.
- f) **Алатите за сечење одржувајте ги остри и чисти.** Внимателно одржуваните алати за сечење со остри ивици помалку ќе се заглавуваат и полесно се контролираат.
- g) **Електричниот алат, дополнителната опрема, работните алати итн., треба да ги користите според овие упатства, земајќи ги во предвид работните услови и работата која треба да се заврши.** Употребата на електричниот алат за работи што се поинакви од неговата намена може да доведе до опасна ситуација.
- h) **Одржувајте ги рачките и површините за фаќање суви, чисти и без масло и маст на нив.** Рачките и површините за држење што се лизгаат не овозможуваат безбедно ракување и контрола на алатот во неочекувани ситуации.
- 5) **КОРИСТЕЊЕ НА АЛАТ НА БАТЕРИИ И ГРИЖА ЗА НЕГО**
- a) **Вршете полнење само со полначот што е пропишан од страна на производителот.** За полначот кој е соодветен за еден вид на батерии, постои опасност од пожар, доколку се употребува со други батерии.
- b) **Користете ги електричните алати само со посебно назначени батерии.** Користењето на било кои други батерии може да доведе до опасност од повреда и пожар.
- c) **Кога батериите не се користат, држете ги настрана од метални предмети како што се спајалици за хартија, парички, клучеви, клинцки, навртки или други, мали метални предмети кои можат да спојат еден пол со друг.** Краткиот спој на половите на батериите може да предизвика изгореници или пожар.
- d) **Во услови на злоупотреба може да дојде до исфрлање на течност од батеријата; избегнувајте**

контакт. Ано дојде до случаен контакт, измијте го местото со вода. Ано течноста дојде во контакт со очите, дополнително побарајте и лекарска помош. Течноста која истекува од батеријата може да предизвика иритација или изгореници.

- e) **Не употребувајте комплет со батерии или алат којшто е оштетен или изменет.** Оштетените или изменетите батерии можат да реагираат непредвидливо и да предизвикаат пожар, експлозија или опасност од повреда.
- f) **Не изложувајте го комплетот со батерии или алатот на оган или висока температура.** Изложувањето на оган или температура над 130°C може да предизвика експлозија.
- g) **Следете ги сите упатства за полнење и не полнете го комплетот со батерии или алатот надвор од температурниот опсег наведен во инструкциите.** Неправилното полнење или полнењето на температура што е надвор од наведениот опсег, може да ја оштети батеријата и да ја зголеми опасноста од пожар.
- 6) **СЕРВИСИРАЊЕ**
- a) **Електричниот алат сервисирајте го кај квалификувано лице кое користи само идентични резервни делови.** Со ова се обезбедува безбедно одржување на електричниот алат.
- b) **Никогаш не поправајте ги оштетените комплети со батерии.** Поправката на комплетите со батерии треба да ја врши само производителот или некои овластен сервис.

#### БЕЗБЕДНОСИ УПАТСТВА ЗА ПОВРАТНИ ПИЛИ БЕЗ ЧЕТКИ

- **Држете го алатот за изолираните површини за фаќање кога извршувате работа при која што дополнителната опрема за сечење може да дојде во контакт со сокриените жица (ако дополнителната опрема за сечење дојде во контакт со жица под напон може да ги електрифицира металните делови на алатот и да предизвика електричен удар на операторот)**
- **Користете стегачи или друг практичен начин за да го обезбедите и потпрете работното парче на стабилна платформа (работното парче е нестабилно ако го држите со рака или потпрено на телото со што може да ја загубите контролата)**

#### ДОПОЛНИТЕЛНА ОПРЕМА

- SKIL може да признае гаранција само доколку е користен оригинален прибор
- Користете само прибор чија дозволена брзина е во најмала рака еднаква на најголемата брзина при празен од на електричниот алат

#### ПРЕД УПОТРЕБА

- Избегнувајте оштетувања од штрафови, шајки и други предмети во работното парче; тргнете ги пред да почнете со работа
- **Користете соодветни детектори за наоѓање на скриени инсталации или повикајте соодветна компанија за помош** (контактот со електричните линии може да доведе до струен удар; оштетувањата во гасоводна цевка може да резултира со експлозија; пенетрирање во водоводна инсталација може да доведе до оштета на предмети или електричен удар)

#### ЛИЧНА ЗАШТИТА

- Овој алат не треба да го користат лица под 16 години
- **Не обработувајте никаков материјал кој содржи азбест** (азбестот важи за предизвикувач на рак)
- Прашината од материјали како боја која содржи олово, некои видови дрво, минерали и метали, може да биде штетна за здравјето (контактот со прашината или нејзиното вдишување може да предизвика алергиски реакции и/или болести на дишните органи за оној кој работи со алатот или луѓето во близина); **носете маска за прашина и работете со правосмуналки доколку можете да ги поврзете**
- Некои видови на прашина се канцерогени (нако на пример прашината од даб или бука), особено заедно со адитиви за одржување на дрвото; **носете маска за прашина и работете со правосмуналки доколку можете да ги поврзете**
- Следете ги процедурите на вашата земја за прашината која се јавува како резултат од материјалите со кои работите
- **Држете ги рацете подалену од површината за сечење и сечилото; држете ја другата рака на кружната дршка D ②** (доколку двете раце ја држат пилата, не може да бидат исечени со сечилото)
- **Не посегнувајте под работното парче** (близината на сечилото до вашата рака во тој случај нема да ви биде видлива)
- **Никогаш не држете го материјалот кој се сече во вашите раце или преку вашата нога** (битно е да се зацврсти обработката соодветно, за да се намали изложеноста на телото, заглавувањето на сечилото или губењето на контрола)
- **Не користете тапо или оштетено сечило** (свитканите сечила лесно може да се скршат или да предизвикаат повратен удар)
- **Користете заштитни ракавици кога го отстранувате сечилото од алатот** (сечилото на пилата може да се загрее по подолга употреба)
- Носете заштитни очила и заштита за ушите

#### БАТЕРИИ

- **Обезбедената батерија е делумно наполнета** (за да се обезбеди целосен капацитет на батеријата, целосно наполнете ја батеријата во полначот на батеријата, пред за првпат да го употребите вашиот електричен алат)
- **Користете ги исклучиво следниве батерии и полначи со овој алат**
  - Батерија SKIL: BR1\*31\*\*\*\*
  - Полнач SKIL: CR1\*31\*\*\*\*
- Оштетената батерија не треба и понатаму да се користи; треба да се замени
- Не расклопувајте ја батеријата
- Никогаш не изложувајте ги на дожд алатот/батеријата
- Дозволена температура на околината (алатка/полнач/батерија):
  - при полнење 4...40°C
  - при работа -20...+50°C
  - при складирање -20...+50°C

#### ОБЈАСНУВАЊЕ НА СИМБОЛИТЕ ЗА АЛАТОТ/БАТЕРИЈАТА

- ③ Пред употреба прочитајте го прирачникот за употреба
- ④ Батериите може да експлодираат ако се изложат на оган, па затоа никако не палете ја батеријата

- ⑤ Секогаш чувајте ги алатот/полначот/батеријата на места со температура пониска од 50°C
- ⑥ Не фрлајте ги електричните алати и батериите заедно со домашниот отпад

## УПОТРЕБА

- **Полнење на батеријата**  
**! прочитајте ги безбедносните предупредувања и упатствата дадени со полначот**
- Вадење/ставање на батеријата ②
- Индикатор за нивото на батеријата ⑦
  - притиснете го копчето J за индикаторот за нивото на батеријата, за да се прикаже моменталното ниво на батеријата ⑦a
  - ! ако по притискање на копчето J ⑦b индикаторот за најниско ниво на батеријата почне да трепка, тогаш батеријата е празна**
  - ! кога ќе почнат да трепкаат 2 нивоа на индикаторот за батеријата по притискање на копчето J ⑦c, тогаш батеријата не е во рамките на дозволеният опсег за работна температура**
- Комбиниран прекинувач за вклучување/исклучување и за контрола на брзината со копче за заклучување ⑧ ⑨
  - прво отклучете со притискање на копчето F
  - вклучете го алатот со повлекување на прекинувачот G
  - брзината се контролира на степени од нула до максимум со применување помалку или повеќе сила врз активаторот
  - исклучете ја машината со пуштање на прекинувачот G
- Копчето за заклучување F може да се активира ⑧
  - ако е активирано, прекинувачот за вклучување/исклучување е блокиран и машината е осигурана од ненамерно вклучување
- Двојни ЛЕД-светилки K ⑩  
Двојните ЛЕД-светилки автоматски се вклучуваат кога ќе го активирате прекинувачот G  
**! кога започнуваат да трепкаат ЛЕД-светилките, се активира заштитата на батеријата (види подолу)**
- Заштита на батеријата  
Алатот наеднаш се исклучува или не може да се вклучи, кога
  - **оптоварувањето е преголемо** -> отстранете го оптоварувањето и почнете повторно
  - **температурата на батеријата не е во рамките на дозволеният опсег на работна температура од -20 до +50°C** --> 2 нивоа на индикаторот за ниво на батеријата почнуваат да трепкаат кога ќе го притиснете копчето J ⑦c; почекајте батеријата да се врати во рамките на дозволеният опсег на работна температура
  - **батеријата е скоро празна (заштита од целосно празнење)** --> на индикаторот за нивото на батеријата ќе се прикаже ниско ниво на батеријата или ќе трепка за ниско ниво на батеријата ub кога ќе притиснете на копчето J; наполнете ја батеријата
  - ! не продолжувајте да притискате на прекинувачот за вклучување/исклучување откако алатот автоматски ќе се исклучи; батеријата може да се оштети**

- Монтирање на сечилото за пилата ⑪  
**! отстранете ја батеријата од алатот пред сечое подесување или промена на дополнителната опрема**
  - свртете го држачот за сечилото C во правецот на стрелката на алатот и држете го во таа позиција
  - вметнете го сечилото (со запците надолу или нагоре) до крај
  - пуштете го држачот за сечилото C
  - турнете го и извлекете го сечилото за да проверите дали е правилно наместено
- Отстранување на сечилото за пилата ⑪  
**! отстранете ја батеријата од алатот пред сечое подесување или промена на дополнителната опрема**
  - свртете го држачот за сечилото C во правецот на стрелката на алатот и држете го во таа позиција
  - извлекете го сечилото
  - пуштете го држачот за сечилото C
- Работа со алатот  
**! прицврстете го материјалот**
  - означете ги линиите за сечење на материјалот
  - ставете ја батеријата во алатот
  - држете го алатот со една рака на дршката H, а со другата држете ја изолираната дршка на вретеното D
  - вклучете го алатот
  - насочувајте го алатот низ назначената линија на сечење
  - притискајте ја кочната папуча B цврсто кон работното парче за да се намалат повратната сила и вибрациите
- Држење и насочување на алатот  
**! додена работите, сеногаш држете го алатот за местото (местата) кое (кои) се означени со сива боја ⑫**
  - отворите за вентилација E држете ги отворени
  - не притискајте премногу со алатот; дозволете тој сам да работи
  - ! проверете дали сечилото на пилата поминува низ целиот материјал за време на движењето ⑬**
- Завртување на батеријата ⑭
  - притиснете го копчето за заклучување F во заклучената положба и потоа извадете ги батериите од алатот.
  - цврсто држете ја пилата и потоа свртете ја папучата B до саканиот агол, притоа внимавајќи да избегнете контакт со сечилото.
  - повторно ставете ја батеријата и подгответе се за сечење

## СОВЕТИ ЗА ПРИМЕНА

- Сечење со заронување ⑮  
Повратни засеци може да се направат во дрво и други меки материјали, без претходно дупчење на дупка
  - користете дебело сечило за пилата
  - ! отстранете ја батеријата од алатот пред сечое подесување или промена на дополнителната опрема**
  - означете ја саканата линија на сечење на материјалот
  - навалете го алатот така што сечилото не ја допира обработката

- вклучете го алатот и внимателно почнете да ја движите пилата на материјалот
- штом сечилото ќе навлезе низ материјалот, продолжете да сечете низ назначената линија за сечење

**! не правете засеци со заронување низ метални материјали**

- Користете соодветни сечила за пила <sup>(16)</sup>
- Кога сечете метал ставете сечило подмачкано со масло
- Сечење без поткршени рабови
  - прекријте ја линијата на сечењето со повеќеслојни или широки ленти пред да почнете со сечењето
  - лицето на материјалот е свртено надолу на работното место
- За повеќе информации видете на [www.skil.com](http://www.skil.com)

## ОДРЖУВАЊЕ/СЕРВИСИРАЊЕ

- Овој алат не е наменет за професионална употреба
- Алатот секогаш да се одржува чист (особено отворите за ладење E <sup>(2)</sup>)

**! отстранете ја батеријата од алатот пред чистење**

- Доколку алатот и покрај внимателното работење и контрола некогаш откаже, поправката мора да ја изврши некој овластен SKIL сервис за електрични алати
  - испратете го алатот нерасклопен, заедно со сметкопотврдата, до вашиот продавач или најблискиот овластен SKIL сервис (адресите и сервисниот дијаграм за алатот се наведени на [www.skil.com](http://www.skil.com))
- Имајте предвид дека оштетувањето настанато заради реоптоварување или неправилно ракување со алатот не е опфатено со гаранцијата (видете на [www.skil.com](http://www.skil.com) или прашајте го продавачот за условите на гаранцијата на SKIL)

## ЗАШТИТА НА ЖИВОТНАТА СРЕДИНА

- Не фрлајте електрични алати, батерии, дополнителна опрема и амбалажа заедно со домашниот отпад (само за земјите на ЕУ)
  - поред Европската Директива 2012/19/E3 за ослободување од електрична и електронска опрема и нејзина имплементација во согласност со националните закони, електричните алати кои го достигнале крајот на својот животен век мора да бидат собрани посебно и да бидат вратени во објект за рециклирање кој е компатибилен со животната средина
  - симболот <sup>(6)</sup> ќе ве потсети на тоа, кога ќе дојде време да го отстраните
- ! пред да се фрли батерија во отпад, заштитете ги нејзините полови со дебела лента за да се спречи краток спој**

## БУЧАВА / ВИБРАЦИИ

- Измерено во согласност со EN 62841, нивото на звучен притисок на овој алат е 87 dB(A) и нивото на звучна моќност е 98 dB(A) (несигурност K = 3 dB), и вибрацијата \* (триакс векторна сума; несигурност K = 1.5 m/s<sup>2</sup>)

\* даска за сечење 10.58 m/c<sup>2</sup>

\* сечење на дрвени греди 8.46 m/c<sup>2</sup>

- Нивото на емитурање на вибрации кое е наведено на задниот дел на ова упатство е измерено во согласност со стандардизираниот тест даден во EN 62841; може да се користи за да се спореди еден алат со друг, и како првична оценка за изложеноста на вибрации кога се користи алатот за споменатите примени
  - користењето на алатот за разни примени, или со различна или неправилно чувана дополнителна опрема, може да доведе до значајно **зголемување** на нивото на изложеност
  - кога алатот е исклучен или кога алатот е вклучен но не врши никаква работа, може да дојде до значително намалување на нивото на изложеност
- ! заштитете се од ефектите на вибрациите преку одржување на алатот и неговата дополнителна опрема, одржување на топлината на вашите раце, и организирање на вашата работа**

AL

**Sharrë me fletë me bateri dhe motor pa karbonçina 3475**

## HYRJE

- Ky mjet është bërë për të prerë dru, plastikë, metal dhe materiale ndërtimi, si edhe për të krasitur pemët.
- Ky mjet nuk është bërë për përdorim profesional.
- Lexojeni dhe ruajeni këtë manual përdorimi. <sup>(3)</sup>

## TË DHËNAT TEKNIKE <sup>(1)</sup>

## ELEMENTET E PAJISJES <sup>(2)</sup>

- A Thika
- B Këpucë rrotulluese
- C Kapësja e lamës
- D Kapësja e grykës
- E Të çarat e ajrosjes
- F Butoni i bllokimit
- G Çelësi për nderje/fikje dhe kontrolli i shpejtësisë
- H Doreza
- J Butoni tregues i nivelit të baterisë
- K Dritë LED dyshe

## SIGURIA

### PARALAJMËRIME TË PËRGJITHSHME TË SIGURISË PËR PAJISJET ELEKTRIKE

**▣ PARALAJMËRIM** Lexoni të gjitha paralajmërimet e sigurisë, udhëzimet, ilustrimet dhe specifikimet e paraqitura me këtë vegël pune. Mosrespektimi i të gjitha udhëzimeve të renditura më poshtë mund të rezultojë në goditje elektrike, zjarr dhe/ose dëmtime të rënda.

**Ruani të gjitha paralajmërimet dhe udhëzimet për referencë në të ardhmen.**

Termi "pajisje elektrike" në paralajmërimet e referohet pajisjes



elektrike që përdoret nga priza (me kablo) ose pajisjes elektrike me bateri (pa kablo).

### 1) SIGURIA E ZONËS SË PUNËS

- a) **Mbajeni zonën e punës të pastër dhe të ndriçuar mirë.** Zonat e çrregullta ose të errëta janë një ftesë për aksidente.
- b) **Mos i përdorni pajisjet elektrike në situata me mundësi shpërthimi, si në prani të lëngjeve, gazeve ose pluhurave të djegshëm.** Pajisjet elektrike shkaktojnë shkëndija që mund të ndezin pluhurat ose avujt.
- c) **Mbajini fëmijët dhe personat e tjerë larg gjatë përdorimit të veglës së punës.** Tërheqja e vëmendjes mund të shkaktojë humbjen e kontrollit.

### 2) SIGURIA ELEKTRIKE

- a) **Spinat e veglës së punës duhet të përputhen me prizën. Mos modifikoni kurrë spinën në asnjë mënyrë. Mos përdorni asnjë spinë përshtatëse me veglat e punës me tokëzim.** Spinat e pamodifikuara dhe prizat përshtatëse do të zvogëlojnë rrezikun e goditjes elektrike.
- b) **Shmangni kontaktin trupor me sipërfaqe të tokëzuara si tuba, radiatorë, soba dhe frigoriferë.** Ka një rrezik më të madh të goditjeve elektrike nëse trupi është i tokëzuar.
- c) **Mos ekspozoni veglat e punës në shi ose në kushte me lagështi.** Uji që hyn në veglën e punës do të rritë rrezikun e goditjes elektrike.
- d) **Mos abuzoni me kordonin. Mos e përdorni kurrë kordonin për transportin, tërheqjen ose heqjen e spinës së veglës së punës. Mbajeni kordonin larg nga nxehtësia, vaji, anët e mprehta ose pjesët që lëvizin.** Kordonët e dëmtuar ose e bllokuar rrisin rrezikun e goditjes elektrike.
- e) **Kur përdorni një vegël pune në mjedise të jashtme, përdorni një kordon zgjatues të përshtatshëm për përdorim në mjedise të jashtme.** Përdorimi i një kordonit të përshtatshëm për përdorime në mjedise të jashtme zvogëlon rrezikun e goditjes elektrike.
- f) **Nëse është e pamëshmë përdorimi i një mjeti me korrent në një vend me lagështi, përdorni një pajisje mbrojtëse nga rrymat (RCD).** Përdorimi i një RCD pakëson rrezikun e goditjeve elektrike.

### 3) SIGURIA PERSONALE

- a) **Qëndroni në gatishmëri, shikoni se çfarë po bëni dhe përdorni gjykimin kur përdorni një vegël pune.** Mos e përdorni një vegël pune kur jeni i lodhur ose nën ndikimin e ilaçeve, alkoolit ose mjekimit. Një moment humbje e vëmendjes gjatë përdorimit të veglave të punës mund të shkaktojë dëmtime të rënda personale.
- b) **Përdorni pajisje personale mbrojtëse. Mbani gjithmonë pajisje për mbrojtjen e syve.** Pajisjet mbrojtëse, si maska kundër pluhurit, këpucët që nuk rëshqasin, kaskat ose pajisjet për mbrojtjen e veshëve për kushtet përkatëse do të zvogëlojnë dëmtimet personale.
- c) **Parandaloni ndezjen e rastësishme. Sigurohuni që çelësi është në pozicionin fikur para se të lidhni burimin e energjisë dhe/ose baterinë, para se të merrni ose të transportoni pajisjen.** Transportimi i veglave të punës me gishtin në çelës ose aktivizimi i veglave të punës që kanë çelësin të ndezur është një

ftesë për aksidente.

- d) **Hiqni çdo çelës ose çelës përshtatës para ndezjes së veglës së punës.** Një çelës i lënë i lidhur me një pjesë rrotulluese të veglës së punës mund të shkaktojë dëmtime personale.
  - e) **Mos u zgjasni. Mbani një vendosje të mirë të këmbëve dhe një ekuilibër të mirë në çdo moment.** Kjo gjë bën të mundur një kontroll më të mirë të veglës së punës në situata të papritura.
  - f) **Vishuni në mënyrën e duhur. Mos vishni robra të gjera ose bizhuteri. Mbajini flokët dhe rrobat larg nga pjesët e lëvizshme.** Rrobat e gjera, bizhuteritë ose flokët e gjata mund të kapen te pjesët e lëvizshme.
  - g) **Nëse janë ofruar pajisje për lidhjen e pajisjeve të mbledhjes dhe nxjerrjes së pluhurave, sigurohuni që ato të jenë të lidhura dhe të përdoren si duhet.** Përdorimi i mbledhjes së pluhurave mund të zvogëlojë rreziqet në lidhje me pluhurat.
  - h) **Mos lejoni që familjarizimi i fituar nga përdorimi i shpeshtë i veglave t'ju bëjë të ndiheni tepër të sigurt në vetvete dhe të shpërfillni parimet e sigurisë për pajisjet.** Një veprim i pakujdesshëm mund të shkaktojë dëmtime të rënda në më pak se një sekondë.
- ### 4) PËRDORIMI DHE KUJDESI PËR VEGLËN E PUNËS
- a) **Mos ushtroni forcë mbi veglën e punës. Përdorni veglën e punës të duhur për përdorimin tuaj.** Vegla e punës e duhur do të realizojë një punë më të mirë dhe më të sigurt dhe me shpejtësinë që ajo është e projektuar.
  - b) **Mos përdorni veglën e punës nëse çelësi nuk e ndez apo e fik.** Çdo vegël pune që nuk mund të kontrollohet me anë të çelësit është e rrezikshme dhe duhet të riparohet.
  - c) **Shkëputeni spinën nga burimi i energjisë dhe/ose hiqeni paketën e baterisë, nëse është e mundur, nga mjeti me korrent para se të bëni rregullime, ndryshoni aksesorët ose vendosni mjetet me korrent.** Këto masa parandaluese të sigurisë ulin rrezikun e ndezjes aksidentale të veglës së punës.
  - d) **Mbani veglat e punës larg fëmijëve dhe mos lejoni personat e pamëshmë me veglën e punës ose këto udhëzime për përdorimin e pajisjes.** Veglat e punës janë të rrezikshme në duart e përdoruesve të patrajnuar.
  - e) **Mirëmbajini veglat me korrent dhe aksesorët.** Kontrolloni për mospërshtatje ose bllokim të pjesëve lëvizëse, thyerje të pjesëve dhe gjendje të tjera që mund të ndikojnë në funksionimin e veglës së punës. Nëse dëmtohet, riparoheni veglën e punës para përdorimit. Shumë aksidente shkaktohen nga veglat e punës jo të mirëmbajtura si duhet.
  - f) **Mbajini pajisjet prerëse të pastra dhe të mprehta.** Pajisjet e prerjes të mirëmbajtura dhe me anë të mprehta kanë më pak mundësi për t'u bllokuar dhe janë më të lehta për t'u kontrolluar.
  - g) **Përdorni veglat e punës, aksesorët dhe puntot, etj. në përputhje me këto udhëzime, duke marrë parasysh kushtet e punës dhe punën që do të kryhet.** Përdorimi i veglave për përdorime të ndryshme nga ato të përcaktuara mund të shkaktojë rreziqe.
  - h) **Mbajini dorezat dhe sipërfaqet ku mbaheni të thata, të pastra dhe pa vajra ose graso.** Dorezat dhe sipërfaqet ku mbaheni, kur janë të rëshqitshme, nuk ju lejojnë ta menaxhoni dhe ta kontrolloni në mënyrë të

sigurt pajisjen në situata të papritura.

#### 5) PËRDORIMI DHE KUJDESI PËR VEGLËN ME BATERI

- a) **Karikojeni vetëm me karikuesin e specifikuar nga prodhuesi.** Një karikues që është i përshtatshëm për një lloj baterie mund të krijojë rrezik për zjarr kur përdoret me një bateri tjetër.
  - b) **Përdorni vetëm mjetet me bateri që kanë bateri të krijuara në mënyrë të posaçme për to.** Përdorimi i çdo baterie tjetër mund të krijojë rrezik për dëmtime dhe zjarr.
  - c) **Kur bateria nuk është në përdorim, mbajeni larg nga objektet e tjera metalike si kapëset e letrës, monedhat, çelësat, gozhdët, vidat ose objektet e tjera të vogla metalike që mund të bëjnë lidhjen e një terminali me terminalin tjetër.** Bashkimi i terminalave së bashku mund të shkaktojë djegie ose zjarr.
  - d) **Nëse kushtet janë të papërshtatshme, nga bateria mund të dalin lëngje; shmangni kontaktin. Nëse kontakti ndodh padashur, shpëlaheni me ujë.** Nëse lëngu ju bie në kontakt me sytë, kërkonti ndihmë mjekësore. Lëngu që del nga bateria mund të shkaktojë irritim ose djegie.
  - e) **Mos përdorni bateri ose mjete që janë dëmtuar ose modifikuar.** Bateritë e dëmtuara ose të modifikuara mund të shfaqin sjellje të paparashikuara, duke shkaktuar zjarr, shpërthim ose rrezik për lëndimin tuaj.
  - f) **Mos e ekspozoni një pako baterish ose një vegël ndaj zjarrit ose temperaturës shumë të lartë.** Ekspozimi ndaj zjarrit ose një temperature mbi 130°C mund të shkaktojë shpërthim.
  - g) **Ndiqui të gjitha udhëzimet për karikimin dhe mos e karikoni baterinë ose veglën jashtë gamës së temperaturës që specifikohet tek udhëzimet.** Karikimi i papërshtatshëm ose në temperatura jashtë gamës së specifikuar mund të dëmtojë baterinë dhe të rritë rrezikun për zjarr.
- 6) **SHËRBIMI**
- a) **Shërbimi i veglës së punës duhet të kryhet nga një person i kualifikuar për riparimet duke përdorur vetëm pjesë ndërrimi identike.** Kjo gjë do të sigurojë ruajtjen e sigurisë së veglës të punës.
  - b) **Mos u mundoni asnjëherë t'i riparoni bateritë e dëmtuara.** Riparimi i baterive duhet të kryhet vetëm nga prodhuesi ose ofruesit e autorizuar të shërbimit.

#### UDHËZIME SIGURIE PËR SHARRAT ME TËRHEQJE PA KARBONÇINA

- **Mbajeni mjetin duke kapur sipërfaqet e izoluar të prerjes kur bëni një punë aty ku aksesori i prerjes mund të bjerë në kontakt me tela të fshehur (aksesorët e prerjes që bien në kontakt me një tel me korrent mund të ekspozojnë pjesët metalike të mjetit të punës në korrent dhe mund t'i japin përdoruesit një goditje elektrike)**
- **Përdorni morsa ose mënyra të tjera praktike për të siguruar dhe mbështetur materialin e punës në një platformë të qëndrueshme (mbajtja e materialit me duar ose të mbështetur në trup bën që materiali të mbetet i paqëndrueshëm ose mund të shkaktojë humbje të kontrollit)**

#### AKSESORËT

- **SKIL** mund të garantojë funksionimin pa probleme të

veglës vetëm kur përdoren aksesorët origjinalë

- Përdorni vetëm aksesorë me një shpejtësi të lejuar që përshtatet të paktën me shpejtësinë më të lartë pa ngarkesë të pajisjes

#### PARA PËRDORIMIT

- Shmangni dëmtimet që mund të shkaktohen nga vidat, gozhdët dhe elementet e tjera në materialin e punës; hiqni ato para se të filloni punën
- **Përdorni detektorë përkatës për të gjetur linjat e fshehura të shërbimit ose telefononi kompaninë lokale të shërbimeve për ndihmë** (kontakti me linjat elektrike mund të shkaktojë zjarr ose goditje elektrike; dëmtimi i një linje gazi mund të shkaktojë një shpërthim; shpimi i një tubi uji do të shkaktojë dëmtim të pronës ose një goditje elektrike)

#### SIGURIA PERSONALE

- Kjo pajisje nuk duhet të përdoret nga personat nën moshën 16 vjeç
  - **Mos punoni me materiale që përmbajnë asbest** (asbesti konsiderohet kancerogjen)
  - Pluhurat nga materialet si boja me plumb, disa lloje drurësh, mineralesh dhe metalesh mund të jenë të dëmshme (kontakti ose thithja e pluhurave mund të shkaktojë reagime alergjike dhe/ose sëmundje respiratore për përdoruesin ose personat përreth); **mbani një maskë për pluhurat dhe punoni me një pajisje për heqjen e pluhurave kur mund të lidhet**
  - Disa lloje pluhurash janë klasifikuar si kancerogjene (si pluhuri i lisit dhe i ahut) veçanërisht në ndërthurje me lëndët shtesë për kondicionimin e drurit; **mbani një maskë për pluhurat dhe punoni me një pajisje për heqjen e pluhurave kur mund të lidhet**
  - Respektoni kërkesat kombëtare në lidhje me pluhurat për materialet me të cilat dëshironi të punoni
  - **Mbajeni duart larg nga zona e prerjes dhe lama; mbajeni dorën tjetër në kapësen e grykës D** (nëse të dyja duart mbajnë sharrën, ato nuk mund të priten nga lama)
  - **Mos u zgjasni poshtë materialit të punës** (afërsia e lamës me dorën tuaj është e fshehur nga këndvështrimi juaj)
  - **Mos e mbani kurrë copën që po prisni në duar ose mes këmbëve** (është e rëndësishme që ta mbështesni mirë materialin për të minimizuar ekspozimin e trupit, ngecjen e lamës ose humbjen e kontrollit)
  - **Mos përdorni lama të topitura ose të dëmtuara** (lamat e përkulura mund të thyhen me lehtësi ose të shkaktojnë goditjen e kthimit)
  - **Përdorni doreza mbrojtëse kur hiqni lamën nga pajisja** (lama e sharrës mund të jetë e nxehtë pas një përdorimi të gjatë)
  - **Mbani syze mbrojtëse dhe pajisje mbrojtëse për dëgjimin**
- BATERITË**
- **Bateria e dhënë është pjesërisht e karikuar** (për të siguruar kapacitet të plotë të baterisë, karikojeni baterinë plotësisht në karikuesin e baterisë para se ta përdorni mjetin për herë të parë)
  - **Përdorni vetëm bateritë dhe karikuesit e mëposhtëm me këtë mjet**
    - Bateria SKIL: BR1\*31\*\*\*\*
    - Karikues SKIL: CR1\*31\*\*\*\*
  - Mos e përdorni baterinë kur është dëmtuar; ajo duhet ndërruar
  - Mos e çmontoni baterinë
  - Mos e ekspozoni mjetin/baterinë në shi
  - Lejohet temperatura e ambientit (vegël/karikuesin/bateri):

- kur karikoni 4...40°C
- gjatë punës -20...+50°C
- gjatë magazinimit -20...+50°C

### SHPJEGIMI I SIMBOLEVE NË VEGËL/BATERI

- ③ Lexoni manualin e udhëzimeve para përdorimit
- ④ Bateritë mund të shpërthejnë kur hidhen në zjarr, prandaj mos i digjini bateritë për asnjë arsye
- ⑤ Ruajeni veglën/karikuesin/baterinë në vende ku temperatura nuk i kalon 50°C
- ⑥ Mos i hidhni veglat elektrike dhe bateritë së bashku me mbeturinat shtëpiake

## PËRDORIMI

- Karikimi i baterisë
  - ! **Lexoni paralajmërimet dhe udhëzimet e sigurisë të dhëna me karikuesin**
- Heqja/instalimi i baterisë ②
- Treguesi i nivelit të baterisë ⑦
  - shtypni butonin tregues të nivelit të baterisë J për të shfaqur nivelin aktual të baterisë ⑦a
  - ! **kur fillon të pulsojë niveli më i ulët i treguesit të baterisë pasi keni shtypur J ⑦b, bateria është bosh**
  - ! **kur 2 nivelet e treguesit të baterisë fillojnë të pulsojnë pasi keni shtypur butonin J ⑦c, bateria nuk është brenda temperaturës së lejuar**
- Çelës i kombinuar për ndezje/fike dhe kontroll shpejtësie me çelës bllokimi ⑧ ⑨
  - zhbllokoheni më parë duke shtypur çelësin F
  - ndizeni pajisjen duke tërhequr çelësin e aktivizimit G
  - kontrolloni shpejtësinë në shkallë nga zero në maksimum duke ushtruar më pak ose më shumë tryzni mbi çelës
  - fikeni duke lëshuar çelësin G
- Butoni i kyçjes F mund të aktivizohet ⑧
  - nëse aktivizohet, çelësi i ndezjes/fikjes bllokohet dhe pajisja është e sigurt nga ndezja padashur
- Dritat LED dyshe K ⑩
  - Dritat LED dyshe ndizen automatikisht kur aktivizoni çelësin G
  - ! **kur dritat LED fillojnë të pulsojnë, kjo do të thotë se është aktivizuar mbrojtja e baterisë (shiko më poshtë)**
- Mbrojtja e baterisë
  - Mjeti fiket papritur ose nuk ndizet kur
  - **ngarkesa është tepër e lartë** --> hiqeni ngarkesën dhe ndizeni përsëri
  - **temperatura e baterisë nuk është brenda nivelit të lejuar të temperaturës prej -20 deri në +50°C** --> 2 nivelet e treguesit të nivelit të baterisë fillojnë të pulsojnë kur shtypni butonin J ⑦c; prisni derisa bateria të jetë brenda temperaturës së lejuar
  - **bateria është thuajse bosh (për t'u mbrojtur nga dëmtimi për shkak të shkarkimit të thellë)** --> niveli i ulët i baterisë ose pulsimi për shkak të nivelit të ulët të baterisë ub tregohet në treguesin e nivelit të baterisë kur shtypni butonin J; karikoni baterinë
  - ! **mos vazhdoni të shtypni çelësin e ndezjes/fikjes pasi pajisja të fiket automatikisht; bateria mund të dëmtohet**
- Montimi i lamës së sharrës ⑪
  - ! **hiqeni baterinë nga pajisja para se të bëni ndonjë rregullim ose të ndërroni ndonjë aksesor**

- shtypni kapësen e lamës C në të njëjtin drejtim si shigjeta në pajisje dhe mbajeni në atë pozicion
- futni lamën (me dhëmbët e drejtuar poshtë ose lart) deri në fund
- lëshoni kapësen e lamës C
- shtyjeni dhe tërhiqeni lamën për të kontrolluar nëse është kapur si duhet
- Heqja e lamës së sharrës ⑪
  - ! **hiqeni baterinë nga pajisja para se të bëni ndonjë rregullim ose të ndërroni ndonjë aksesor**
  - shtypni kapësen e lamës C në të njëjtin drejtim si shigjeta në pajisje dhe mbajeni në atë pozicion
  - nxirreni lamën
  - lëshoni kapësen e lamës C
- Funksionimi i veglës
  - ! **shtrëngoni mirë materialin e punës**
  - shënoni vijën e prerjes mbi materialin e punës
  - montoni baterinë në mjet
  - mbajeni pajisjen me një dorë mbi dorezë H dhe tjetrën mbi kapësen e izoluar të grykës D
  - ndizni veglën
  - drejtojeni pajisjen përgjatë vijës së shënuar të prerjes
  - mbajeni plakën mbështetëse B fort mbi materialin e punës për të minimizuar forcën kundërshtuese dhe dridhjen
- Mbatja dhe drejtimi i veglës
  - ! **gjatë punës, mbajeni gjithmonë veglën në zonën(at) e dorezës me ngjyrë gri ⑫**
  - mbajini hapësirat e ajrimit E të pambuluara
  - mos ushtroni shumë tryzni mbi pajisje; lëreni pajisjen që të punojë për ju
  - ! **sigurohuni që lama e sharrës të dalë përtej materialit gjatë goditjes ⑬**
- Rrotullimi i pllakës mbështetëse ⑭
  - lëshojeni butonin e kyçjes F në pozicionin e kyçur dhe më pas hiqni baterinë nga mjeti.
  - mbajeni fort sharrën dhe më pas rrotullojeni pllakën mbështetëse B në këndin e dëshiruar, duke u kujdesur që të shmangni kontaktin me lamën.
  - vendosni përsëri baterinë dhe përgatituni për prerje

## KËSHILLË PËR PËRDORIMIN

- Prerja me zhytje ⑮
  - Prerjet me zhytje mund të bëhen në dru dhe më materiale të tjera të buta pa shpuar paraprakisht një vrimë
  - përdorni një lamë sharre të trashë
  - ! **hiqeni baterinë nga pajisja para se të bëni ndonjë rregullim ose të ndërroni ndonjë aksesor**
  - shënoni vijën e dëshiruar të prerjes mbi materialin e punës
  - anojeni pajisjen në mënyrë që lama të mos prekë materialin e punës
  - ndizeni pajisjen dhe punoni me kujdes me lamën e sharrës në lëvizje mbi material
  - pasi lama të jetë futur në materialin e punës, vazhdoni të sharroni përgjatë vijës së shënuar të prerjes
  - ! **mos bëni prerje me zhytje në materiale metalike**
- Prërdorni thikat e duhura për sharrën ⑯
- Kur prisni metale, lubrifikojeni thikën e sharrës rregullisht me vaj
- Prerja pa ashkla
  - mbulojeni vijën e prerjes me disa shtresa ngjitës të gjerë para prerjes

- vendoseni gjithmonë poshtë anën e mirë të materialit të punës
- Për më shumë informacion, shikoni [www.skil.com](http://www.skil.com)

## MIRËMBAJTJA / SHËRBIMI

- Ky mjet nuk është bërë për përdorim profesional
- Mbajeni gjithmonë veglën dhe kordonin të pastër (veçanërisht hapësirat e ajrimit ②)
- ! **hiqeni baterinë nga mjeti para se ta pastroni**
- Nëse pajisja ka defekt pavarësisht kujdesit në prodhim dhe procedurat e provave, riparimi duhet të kryhet nga një qendër e shërbimit pas shitjes për veglat e punës të SKIL
  - dërgoni veglën të çmontuar së bashku me vërtetimin e blerjes të shitësi ose të qendra më e afërt e shërbimit e SKIL (adresat si dhe diagrami i shërbimit i veglës janë të paraqitura në [www.skil.com](http://www.skil.com))
- Kini parasysh se dëmtimet për shkak të mbingarkesës ose manovrimit të papërshtatshëm të veglës janë të përjashtuara nga garancia (për kushtet e garancisë së SKIL vizitoni [www.skil.com](http://www.skil.com) ose pyetni shitësin tuaj)

## MJEDISI

- Mos i hidhni veglat elektrike, bateritë, aksesorët dhe paketimin së bashku me materialet e mbeturinave familjare (vetëm për vendet e BE-së)
  - në respektim të Direktivës evropiane 2012/19/EC për pajisjet elektrike dhe elektronike si mbetje dhe zbatimin e saj në përputhje me ligjet kombëtare, pajisjet elektrike që kanë arritur në fund të jetëgjatësisë së tyre duhet të mbliidhen të ndara dhe të kthehen në një objekt riciklimi në përputhje me mjedisin.
  - simboli ⑥ do t'ju kujtojë për këtë gjë kur të jetë nevoja për t'i hedhur
- ! **para hedhjes mbroni terminalet e baterisë me ngjitës të fortë për të parandaluar qarkun e shkurtër**

## ZHURMA / VIBRIMI

- I matur sipas EN 62841, niveli i presionit të zhurmës së këtij mjete është **87 dB(A)** dhe niveli i fuqisë së zhurmës është **98 dB(A)** (toleranca K = 3 dB), dhe dridhja
  - \* (shuma e vektorit triax; toleranca K = 1.5 m/s<sup>2</sup>)
  - \* dërrasë prerjeje **10.58 m/s<sup>2</sup>**
  - \* prerje trarë druri **8.46 m/s<sup>2</sup>**
- Niveli i emetimit të vibrimit është matur në përputhje me një provë të standardizuar të dhënë në EN 62841; ajo mund të përdoret për të krahasuar një vegël me një tjetër dhe si një vlerësim paraprak i ekspozimit ndaj vibrimit kur përdorni pajisjen për proceset e përmendura
  - përdorimi i pajisjes për procese të ndryshme, ose me aksesorë të ndryshëm dhe të mirëmbajtur keq, mund të **rritë** ndjeshëm nivelin e ekspozimit
  - kohët kur pajisja është e fikur dhe kur është e ndezur por jo në punë, mund të zvogëlojnë ndjeshëm nivelin e ekspozimit
- ! **mbroni veten nga efektet e vibrimit duke mirëmbajtur pajisjen dhe aksesorët e saj, duke i mbajtur duart e ngrohta dhe duke organizuar mënyrën tuaj të punës**







#### امکان دارد باتری آسیب ببیند

- سوار کردن تیغه اره ⑩
- ! پیش از انجام هرگونه تغییر و یا عوض کردن متعلقات، باتری را از ابزار خارج کنید
- ضامن تیغه C را در جهت موافق پیکان روی ابزار بچرخانید و در همان وضعیت نگه دارید
- تیغه را (در حالی که نداننده های آن به پایین یا بالا قرار گرفته اند) تا آخر در جای خود قرار دهید
- ضامن تیغه C را رها کنید
- تیغه را بیرون کشید و به داخل فشار دهید تا مطمئن شوید بدرستی در جای خود قفل شده باشد
- برداشتن تیغه اره ⑪
- ! پیش از انجام هرگونه تغییر و یا عوض کردن متعلقات، باتری را از ابزار خارج کنید
- ضامن تیغه C را در جهت موافق پیکان روی ابزار بچرخانید و در همان وضعیت نگه دارید
- تیغه را بیرون کشید
- ضامن تیغه C را رها کنید
- کار کردن با ابزار
- ! قطعه کاری را در گیره قرار داده و محکم کنید
- خط برش را روی قطعه کاری علامت بزنید
- باتری را روی ابزار نصب کنید
- ابزار را باید با یک دست روی دسته H و با دست دیگر روی جای دسته عایق شده D بگیرید
- ابزار را روشن کنید
- ابزار را روی خط برش علامت گذاری شده هدایت کنید
- پایه کار B را محکم روی قطعه کاری بگیرید تا نیروی واکنشی و ارتعاشات به حداقل مکن کاهش یابد
- نگهداشتن و هدایت ابزار
- ! هنگام کار باید همیشه ابزار را از اجزا(های) دست خاکستری رنگ بگیرید ⑫
- شیارهای تهویه E را مسدود نکنید
- فشار بیش از حد به ابزار وارد نکنید؛ بگذارید ابزار به جای شما کار کند
- ! اطمینان حاصل کنید که تیغه اره در طول کار از قطعه کاری جلوتر برود ⑬
- چرخاندن محور ⑭
- دکمه قفل F را در موقعیت قفل فشار دهید و سپس بسته باتری را از ابزار خارج کنید.
- اره را محکم بگیرید و سپس محور B را به زاویه دلخواه بچرخانید و در عین حال مراقب باشید که با تیغه تماس نداشته باشید.
- باتری را دوباره نصب کنید و برای برش آماده شوید

#### توصیه های کاربردی

- برش عمیق ⑮
- شما می توانید بدون نیاز به سوراخ کردن اولیه در چوب و سایر مواد نرم برش عمیق بزنید
- از یک تیغه اره ضخیم استفاده کنید
- ! پیش از انجام هرگونه تغییر و یا عوض کردن متعلقات، باتری را از ابزار خارج کنید
- خط برش مورد نظر را روی قطعه کاری علامت بزنید
- ابزار را کج کنید تا تیغه با قطعه کاری تماس نداشته باشد
- ابزار را روشن کرده و با دقت تیغه اره در حال حرکت را به قطعه کاری نزدیک کنید
- بعد از اینکه تیغه وارد قطعه کاری شد به برش زدن در طول خط برش علامت گذاری شده ادامه دهید
- ! در اجسام و مواد فلزی برش عمیق بزنید
- از تیغه اره های مناسب استفاده کنید ⑯
- هنگام برش فلزات، تیغه اره را مرتباً روغن کاری کنید
- برش بدون تراشه
- خط برش را پیش از شروع برش با چند لایه چسب پهن بپوشانید
- همیشه طرف خوب قطعه کاری را به سمت پایین قرار دهید
- برای اطلاعات بیشتر به [www.skil.com](http://www.skil.com) مراجعه کنید

#### نگهداری / سرویس - خدمات

- این ابزار برای مصارف حرفه ای مناسب نیست
- همیشه ابزار را تمیز نگه دارید (بخصوص شماره های تهویه E ⑰)
- ! پیش از تمیز کردن باید باتری را از ابزار جدا کنید
- اگر ابزار علیرغم تمام دقت و مراقبتی که در فرایندهای تولید و تست بکار برده شده از کار افتاد، تعمیرات باید فقط در مراکز خدمات پس از فروش ابزارهای برقی SKIL انجام شود
- ابزار را به صورت بازنشده همراه با رسید خرید به فروشنده یا نزدیکترین مرکز خدمات رسانی SKIL بفرستید (آدرسها به همراه نمودار نقشه های سرویس ابزار در [www.skil.com](http://www.skil.com) موجود است)
- توجه داشته باشید که خرابی و خسارت ناشی از اضافه بار یا کار کردن نادرست با ابزار مشمول ضمانت نخواهد بود (برای اطلاع از شرایط ضمانت SKIL به نشانی [www.skil.com](http://www.skil.com) مراجعه کرده یا از فروشنده خود سؤال کنید)

#### محیط زیست

- ابزارهای برقی، باتریها، لوازم و بسته بندی آنها را نباید همراه با زباله های عادی خانگی دور انداخت (فقط مخصوص کشورهای عضو اتحادیه اروپا)
- با توجه به مصوبه اروپایی EC/19/2012 اروپا درباره لوازم برقی و الکترونیکی مستعمل و اجرای این مصوبه مطابق با قوانین کشوری، ابزارهای برقی که به پایان عمر مفید خود رسیده اند باید جداگانه جمع آوری شده و به یک مرکز بازیافت مناسب و سازگار با محیط زیست انتقال یابند
- تمام ⑱ یادآور این مسئله در هنگام دور انداختن است
- ! قبل از دور انداختن باتری حتماً باید روی پایانه های باتری را با نوار چسب سنگین بپوشانید تا اتصال کوتاه نکند

#### صدا / ارتعاشات

- طبق استاندارد EN 12841، میزان فشار صوتی این ابزار ۸۷ دسیبل و میزان توان صوتی آن ۹۸ دسیبل (عدم قطعیت K=۳ دسیبل)، و میزان ارتعاشات آن می باشد
- \* (جمع بردارهای سه جهت: عدم قطعیت K = ۱,۵ متر/مجدوز ثانیه)
- \* تخته برش ۱۰,۵۸ متر/مجدوز ثانیه
- \* برش تیرهای چوبی ۸,۴۶ متر/مجدوز ثانیه
- میزان انتشار ارتعاشات بر اساس تست استاندارد شده ای که در EN 12841 معرفی شده است اندازه گیری گردید: از این ارقام می توان برای مقایسه یک ابزار با دیگری و بعنوان ارزیابی اولیه در معرض قرارگیری ارتعاشات هنگام کار با ابزار در کاربری های فوق استفاده کرد
- استفاده از ابزار برای کاربردهای متفاوت یا با لوازم و قطعات متفاوت با لوازم و متعلقاتی که به نگهداری شده اند، می تواند میزان در معرض بودن را به طور قابل ملاحظه ای افزایش دهد
- مواقعی که ابزار خاموش است یا وقتی کاری با آن انجام نمی شود، میزان در معرض بودن به طور قابل توجهی کاهش می یابد
- ! با نگهداری مناسب از ابزار و لوازم و متعلقات آن، گرم نگهداشتن دست های خود، و سازمان دهی طرح های کاری می توانید خود را در برابر اثرات ارتعاش محافظت کنید

قرار گرفتن بدن شما در برابر ابزار، گیر کنید تیغه و یا از دست دادن کنترل به حداقل برسد. بسیار مهم است که قطعه کار را بطور صحیح نگه دارید)

- از تیغه‌های کند یا آسیب دیده استفاده نکنید (تیغه‌های خم‌شده به آسانی می‌شکنند یا باعث پس زدن ابزار خواهند شد)
- هنگام باز کردن تیغه از ابزار، از دستکش محافظ استفاده کنید (تیغه اژه بعد از استفاده طولانی ممکن است داغ باشد)
- از عینک محافظ و محافظ گوش استفاده کنید

#### باتری‌ها

- شارژر باتری ارائه‌شده کامل نیست (برای تضمین کامل بودن ظرفیت باتری باید باتری را پیش از اولین استفاده از دستگاه به‌طور کامل با شارژر باتری شارژ کنید)
- تنها از باتری‌ها و شارژرهای زیر با این ابزار استفاده کنید
  - باتری SKIL: ۳۱۰BR۱
  - شارژر SKIL: ۳۱۰CR۱
- اگر باتری آسیب دیده است از آن استفاده نکنید؛ باید آنرا عوض کنید
- باتری را از هم باز نکنید
- ابزار باتری نباید در معرض باران قرار داده شود
- دمای محیطی مجاز (ابزار شارژر/باتری):
- هنگام شارژ ۰... ۴۰ درجه سانتیگراد
- هنگام کار ۰... ۴۰... ۵۰ درجه سانتیگراد
- قرار دادن در محل نگهداری ۰... ۲۰... ۵۰ درجه سانتیگراد

#### شرح علائم و نمادهای ابزار باتری

- ① پیش از کار حتماً دفترچه راهنما را مطالعه کنید
- ② اگر باتری‌ها در آتش انداخته شوند امکان انفجار آن‌ها وجود دارد. بنابراین هرگز و به هیچ دلیلی باتری را نسوزانید
- ③ ابزار شارژر/باتری را در مکانی نگه دارید که دمای آن ۵۰ درجه سانتیگراد جاوز نمی‌کند
- ④ ابزار الکتریکی و باتری‌ها را نباید همراه با زباله‌های عادی خانگی دور انداخت

#### استفاده

- شارژ کردن باتری
- هشدارها و دستورالعمل‌های ارائه‌شده همراه شارژر را مطالعه کنید
- برداشتن/قرار دادن باتری ①
- نشانگر شارژر باتری ②
- اگر نمایش سطح کنونی باتری a ⑤ دو کمه نشانگر شارژر باتری ل را فشار دهید
- برای فشار دادن دکمه ل b ⑥، نشانگر پایین‌ترین سطح باتری شروع به چشمک زدن می‌کند. باتری تخلیه شده است
- هنگامیکه ۲ سطح از نشانگر باتری بعد از فشار دادن دکمه ل c ⑦ شروع به چشمک زدن می‌کند، باتری در محدوده دمای کاری مجاز نیست
- کلید ترکیبی برای روشن/خاموش و کنترل سرعت با دکمه قفل ⑧ a
- ابتدا با فشار دادن دکمه F قفل را باز کنید
- با کشیدن استارت G ابزار را روشن کنید
- با کم یا زیاد کردن فشار دست روی استارت می‌توانید دور را بدون پله از صفر تا حداکثر تنظیم کنید
- با رها کردن استارت G ابزار را خاموش کنید
- دکمه قفل F را می‌توان فعال کرد ⑨
- در صورت فعال شدن، کلید استارت قفل شده و دستگاه در برابر روشن شدن اتفاقی محافظت می‌گردد
- چراغ‌های LED دوپایه K ⑩
- هنگامی که کلید G را فعال می‌کنید، چراغ‌های LED دوپایه بطور خودکار روشن می‌شود
- اگر سیستم محافظت باتری فعال شده باشد، چراغ‌های DEL دوپایه شروع به چشمک زدن می‌کند (بخش زیر را ملاحظه کنید)
- محافظت باتری
- ابزار در شرایط زیر ناگهان خاموش شده و یا روشن نمی‌شود
  - بار وارده بیش از حد مجاز است -- بار را بردارید و دستگاه را مجدداً راه‌اندازی کنید
  - دمای باتری در محدوده دمای کاری مجاز ۲۰- ۰ تا ۵۰ درجه سانتیگراد نیست
  - >> سطح از نشانگر شارژر باتری هنگام فشار دادن دکمه ل c ⑤ شروع به چشمک زدن می‌کنند؛ صبر کنید تا باتری به محدوده دمای کاری مجاز بازگردد
  - باتری عملاً تخلیه شده است (برای محافظت در برابر تخلیه عمیق) -- یک سطح باتری ضعیف یا سطح باتری ضعیف UB چشم‌کنز در صورت فشار دادن دکمه ل روی نشانگر سطح باتری دیده خواهد شد؛ باتری را شارژ کنید
  - بعد از خاموش شدن خودکار ابزار کلید روشن/خاموش را مرتب فشار ندهید؛

ث) استفاده سرویس یار باتری می‌تواند باعث خروج مایعات از آن شود؛ در چنین شرایطی از دست زدن به آن خودداری کنید. در صورت تماس اتفاقی با آن، دست خود را با آب بشویید. در صورت تماس با مایع یا چشم، به پزشک مراجعه کنید. مایع خارج‌شده از باتری می‌تواند باعث التهاب پوست و سوختگی شود.

ج) اگر یک بسته باتری یا ابزار آسیب دیده یا دستکاری شده است، نباید از آن استفاده کنید. باتری‌های آسیب‌دیده یا دستکاری‌شده ممکن است کارکرد غیرقابل‌پیش‌بینی‌ای داشته باشند و منجر به آتش‌سوزی یا انفجار شوند یا خطر جراحت ایجاد کنند.

ح) بسته باتری یا ابزار را در معرض آتش یا دمای بسیار بالا قرار ندهید. قرار دادن در معرض آتش یا دمای بالاتر از ۲۱۰ درجه سانتیگراد می‌تواند باعث انفجار گردد.

خ) تمام دستورالعمل‌های شارژر را رعایت کنید و بسته باتری یا ابزار را در خارج از محدوده دمای ذکرشده در راهنما شارژ نکنید. شارژ نادرست یا شارژ کردن در دمای خارج از محدوده ذکرشده می‌تواند به باتری آسیب برساند و خطر آتش‌سوزی را بالا ببرد.

#### سرویس

- أ) برای سرویس ابزار الکتریکی به تعمیرکار ماهر رجوع کنید و تنها از وسایل یدکی یکسان استفاده کنید. این باعث خواهد شد که ایمنی ابزار الکتریکی شما تضمین گردد.
- ب) هرگز بسته‌های باتری آسیب‌دیده را سرویس نکنید. عملیات سرویس بسته‌های باتری باید فقط توسط سازنده یا مراکز خدماتی مجاز انجام شود.

#### هشدارهای ایمنی برای اره‌های رفت و برگشتی بدون برس

- اگر از ابزار در مواردی استفاده می‌کنید که امکان دارد متعلقات برش با سیم‌های پنهان شده تماس پیدا کنند، حتماً باید ابزار را از جا دست‌های مخصوص عایق آن بگیرید (تماس متعلقات برش با سیم‌های "برق‌دار" می‌تواند در بخش‌های فلزی دستگاه نیز جریان "برق" تولید کرده و در اپراتور برق گرفتگی ایجاد کند)
- از گیره یا هر روش عملی و مطمئن دیگری برای محکم کردن و تکیه دادن قطعه روی یک سطح پایدار استفاده کنید (اگر قطعه را با دست نگه دارید یا به بدن خود تکیه دهید، قطعه ناپایدار می‌ماند و امکان دارد کنترل کار را از دست بدهید)
- متعلقات
- SKIL در صورتی که از متعلقات اصلی استفاده کنید عملکرد بدون مشکل ابزار را تضمین می‌نماید
- متعلقات باید فقط با سرعت‌های چرخش مجاز که معادل بالاترین سرعت بدون بار ابزار هستند به کار برده شوند

- پیش از استفاده
  - پیچ‌ها، میخ‌ها و سایر اجزا دیگر می‌توانند به قطعه کاری شما آسیب بزنند؛ بنابراین پیش از شروع کار آنها را بردارید
  - برای پیدا کردن سیم و لوله‌های پنهان از شناساگرهای مناسب استفاده کنید یا با شرکت‌های خدمات محلی تماس بگیرید و از آن‌ها کمک بخواهید (تماس با سیم‌های برق موجب آتش‌سوزی و برق‌گرفتگی می‌شود؛ آسیب رساندن به لوله‌گاز سبب انفجار می‌شود؛ سوراخ کردن لوله‌های آب به ساختمان آسیب می‌رساند و موجب خطر برق‌گرفتگی می‌شود)

#### رعایت ایمنی اشخاص

- افراد کمتر از ۱۱ سال نباید با این دستگاه کار کنند
- با مواد حاوی آزیست کار نکنید (آزیست سرطان‌زا است)
- گرد و خاکی که از موادی مانند رنگ‌های حاوی سرب، برخی گونه‌های چوب، مواد معدنی و فلزات بلند می‌شود می‌تواند خطرناک باشد (تماس با این گرد و خاک یا تنفس آنها می‌تواند در کاربرد یا افراد نزدیک به محل کار واکنش‌های حساسیتی و/یا بیماری‌های تنفسی ایجاد کند)؛ یک ماسک مخصوص گرد و خاک بزنید و در صورت امکان از یک وسیله مکش گرد و خاک استفاده کنید
- برخی از گرد و خاک‌ها (مانند گرد و خاکی که از چوب بلوط یا راش بلند می‌شود) مخصوصاً در مجاورت افزودنی‌های مخصوص چوب، سرطان‌زا هستند؛ یک ماسک مخصوص گرد و خاک بزنید و در صورت امکان از وسیله مکش گرد و خاک استفاده کنید
- از مقررات ملی مربوط به گرد و خاک موادی که می‌خواهید با آنها کار کنید پیروی نمایید
- دست‌های خود را از ناحیه برش و تیغه دور نگه دارید؛ دست دیگر خود را روی جای دست D نگه دارید ① (اگر اره را به هر دو دست بگیرید، تیغه دست‌هایتان را نمی‌برد)
- سعی نکنید دست خود را به زیر قطعه کاری ببرید (میزان نزدیکی تیغه به دست از دید شما پنهان است)
- هرگز قطعه مورد برش را با دست یا میان‌پاهای خود نگه‌دارید (برای اینکه میزان

## اجزای ابزار ۱

- A تیغه
- B کفش محوری
- C ضامن تیغه
- D جای دست
- E شیارهای تهویه
- F دکمه قفل
- G کلید روشن/خاموش و کنترل دور
- H دسته
- J دکمه نشانگر شارژ باتری
- K چراغ های DEL دوتایی

## ایمنی

راهنمایهای ایمنی عمومی برای ابزارهای الکتریکی

**هشدار!** تمامی هشدارهای ایمنی، دستورالعملها، تصاویر و مشخصات ارائه شده همراه با این ابزار برقی را مطالعه کنید. در صورت عدم رعایت دستورالعملهای زیر خطر برق‌گرفتگی، آتش‌سوزی و/یا برآورد آسیب‌های شدید وجود دارد.

همه هشدارها و راهنمایی‌ها را برای استفاده آتی نزد خود نگه دارید.

در این هشدارها عبارت «ابزار الکتریکی» به معنی ابزارهای الکتریکی فاقد باتری (با سیم) یا ابزارهای الکتریکی باتری‌دار (با سیم) است.

۱) ایمنی محل کار

أ) محیط کار باید تمیز و دارای روشنایی مناسب باشد. محیط کار نامرتب و کم نور می‌تواند باعث سوانح کاری شود.

ب) با ابزار الکتریکی در محیط‌هایی که در آن خطر انفجار وجود دارد، مانند محیط‌های حاوی مایعات، گازها و غبارهای محترقه، کار نکنید. ابزارهای الکتریکی جرقه‌های ایجاد می‌کنند که ممکن است غبارها یا بخارها را مشتعل کنند.

ت) در هنگام کار با ابزار الکتریکی، کودکان و اطرافیان را از محل کار دور نگاه دارید. حواس پرتی می‌تواند باعث شود کنترل وسیله را از دست بدهید.

۲) ایمنی الکتریکی

أ) دوشاخه‌های ابزار الکتریکی باید با پریز همخوانی داشته باشند. دوشاخه را هرگز و به هیچ صورتی تغییر ندهید. برای ابزار ارت‌شده (دارای سیم اتصال به زمین) از دوشاخه‌های تبدیل استفاده نکنید. دوشاخه‌های بدون تغییر و پریزهای سازگار خطر برق‌گرفتگی را کاهش می‌دهند.

ب) از تماس بدن با سطوح متصل به زمین یا ارت دار مانند لوله، رادیاتور، اجاق گاز و یخچال اجتناب کنید. اگر بدن شما ارت شود یا به زمین متصل شود خطر برق‌گرفتگی افزایش می‌یابد.

ت) ابزار الکتریکی را در معرض باران یا در محیط‌های مرطوب قرار ندهید. نفوذ آب به ابزار الکتریکی، خطر برق‌گرفتگی را افزایش می‌دهد.

ث) به سیم آسیب نرسانید. هرگز از سیم برای حمل، کشیدن یا بیرون آوردن دوشاخه ابزار الکتریکی از پریز استفاده نکنید. سیم ابزار را از گرما، روغن، لبه های تیز و قطعات متحرک دور نگه دارید. سیم‌های آسیب‌دیده یا در هم پیچیده‌شده خطر برق‌گرفتگی را افزایش می‌دهند.

ج) به هنگام کار با ابزار الکتریکی در محیط باز از کابل رابط مناسب برای محیط باز استفاده کنید. استفاده از سیم مناسب برای استفاده در محیط باز خطر برق‌گرفتگی را کاهش می‌دهد.

ح) اگر کار با ابزار الکتریکی در محیطی مرطوب اجتناب‌ناپذیر است، از یک کلید حفاظتی جریان خطا و نشاندن زمین کلید قطع‌کننده اتصال با زمین استفاده کنید. استفاده از کلید قطع‌کننده اتصال با زمین خطر برق‌گرفتگی را کاهش می‌دهد.

۳) رعایت ایمنی اشخاص

أ) هنگام کار با ابزار الکتریکی هشیار باشید، به کاری که می‌کنید دقت داشته باشید و از عقل سلیم خود استفاده کنید. به هنگام خستگی یا هنگام مصرف مواد، الکل یا دارو از ابزار الکتریکی استفاده نکنید. یک خطله غفلت هنگام کار با ابزار الکتریکی می‌تواند سبب وارد آمدن جراحتهای شدید شود.

ب) از تجهیزات ایمنی شخصی استفاده کنید. همواره از عینک ایمنی استفاده کنید. استفاده از تجهیزات ایمنی مانند ماسک تنفسی گرد و غبار، کفش‌های ایمنی ضد لغزش، کلاه ایمنی و گوشی ایمنی متناسب با نوع کار با ابزار الکتریکی، خطر مجروح شدن را تقلیل می‌دهد.

ت) از روشن شدن ناخواسته ابزار جلوگیری کنید. پیش از اتصال به منبع برق و/یا بسته باتری، برداشتن یا حمل ابزار، اطمینان حاصل کنید که دکمه قطع و وصل در حالت خاموش قرار داشته باشد. در صورتیکه هنگام حمل دستگاه انگشت شما روی دکمه قطع و وصل باشد و یا دستگاه را در حالت روشن به برق بزنید، ممکن است سوانح کاری پیش آید.

ث) پیش از روشن کردن ابزار الکتریکی، هرگونه کلید یا آچار تنظیم‌کننده را بردارید. آچار یا کلیدهایی که روی بخش‌های چرخنده ابزار الکتریکی قرار دارند، می‌توانند باعث ایجاد جراحات شوند.

ج) هنگام کار با ابزار بیش از اندازه بدن خود را نکشید و متمایل نشوید. در همه حال جای پای محکم داشته باشید و تعادل خود را حفظ کنید. به این ترتیب می‌توانید ابزار الکتریکی را در وضعیت‌های غیرمنتظره بهتر تحت کنترل داشته باشید.

ح) لباس مناسب بپوشید. از پوشیدن لباسهای شل یا زیورآلات خودداری کنید. مو بلند می‌تواند در قطعات متحرک گیر کند.

خ) در صورتیکه می‌توانید وسایل مکش گرد و غبار و یا وسیله جذب زائده را به دستگاه نصب کنید، باید مطمئن شوید که این وسایل نصب و به شیوه‌های درست استفاده می‌شوند. استفاده از وسایل مکش گرد و غبار می‌تواند خطرات مربوط به غبار را کاهش دهد.

د) اجازه ندهید آشنایی و تسلط حاصل از استفاده مکرر از ابزارها باعث شود حسن کنید لازم نیست دقت داشته باشید و قوانین ایمنی ابزار را نادیده بگیرید. یک عمل از روی بردقتی می‌تواند در کسری از ثانیه موجب جراحات شدید شود.

۴) استفاده صحیح از ابزار الکتریکی و مراقبت از آن

أ) از وارد کردن فشار زیاد روی دستگاه خودداری کنید. بری هر کاری، از ابزار الکتریکی مناسب با آن استفاده کنید. به کار گرفتن ابزار الکتریکی مناسب باعث می‌شود بتوانید کار را بهتر و به شیوه‌ای ایمن‌تر و با سرعت طراحی‌شده برای آن انجام دهید.

ب) اگر ابزار یا کلید روشن و خاموش نمی‌شود، از آن استفاده نکنید. ابزار باید تعمیر شود.

ت) قبل از هرگونه تنظیم، تعویض قطعات یا کنار گذاشتن دستگاه، دوشاخه را از برق بکشید و/یا اگر می‌توان باتری را جدا کرد. بسته باتری آن را خارج کنید. رعایت این اقدامات پیشگیرانه ایمنی خطر روشن شدن ناخواسته ابزار الکتریکی را کاهش می‌دهد.

ث) ابزار الکتریکی را در صورت عدم استفاده از دسترس کودکان دور نگه دارید و اجازه ندهید افراد ناوارد و یا اشخاصی که این دفترچه راهنما را نخوانده‌اند، با این دستگاه کار کنند. قرار گرفتن ابزار الکتریکی در دست افراد ناوارد و بی تجربه خطرناک است.

ج) از ابزار الکتریکی به خوبی نگهداری کنید. وجود نامیزی یا اتصال میان اجزای متحرک، شکستگی قطعات و هرگونه وضعیت دیگری که ممکن است بر روی عملکرد ابزار الکتریکی تاثیر بگذارد را بررسی کنید. در صورت وجود آسیب، پیش از استفاده از ابزار آن را تعمیر کنید. بسیاری از اتفاقات به دلیل عدم نگهداری مناسب از ابزار الکتریکی روی می‌دهد.

ح) ابزار هرس را تمیز و تمیز نگه دارید. ابزار هرسی که خوب مراقبت شده و دارای لبه‌های تیز هستند، کمتر در قطعه کار گیر کرده و بهتر قابل‌هدایت می‌باشند.

خ) ابزارهای الکتریکی، متعلقات و ابزار که روی دستگاه نصب می‌شوند و غیره را مطابق دستورات این جزوه راهنما به کار بگیرید و شرایط کاری و نوع کار را در نظر داشته باشید. استفاده کردن از ابزار الکتریکی برای کارهایی که برای آن طراحی نشده است می‌تواند بسیار خطرناک باشد.

د) دسته‌ها و سطوح دستگیره‌ها را خشک، تمیز و عاری از روغن و گریس نگه دارید. در صورت لزوم بوبن دسته‌ها و سطوح دستگیره‌ها امکان گرفتن و کنترل ایمن ابزار در شرایط غیرمنتظره وجود نخواهد داشت.

ه) مراقبت و طرز استفاده از ابزارهای شارژی

أ) باتری‌ها را منحصرأ در دستگاه‌هایی شارژ کنید که توسط سازنده توصیه شده باشند. شارژی که برای یک نوع بسته باتری مناسب است، ممکن است اگر برای شارژ بسته باتری دیگر استفاده شود خطر آتش‌سوزی ایجاد کند.

ب) در ابزار الکتریکی، تنها از باتری‌هایی استفاده کنید که برای آن در نظر گرفته شده‌اند. استفاده از باتری‌های متفرقه می‌تواند منجر به جراحات و حریق گردد.

ت) در صورت عدم استفاده از باتری باید آن را از گیره‌های فلزی، سکه، کلید، میخ، پیچ یا دیگر وسایل کوچک فلزی دور نگه دارید، زیرا این وسایل ممکن است باعث ایجاد اتصالی شوند. ایجاد اتصالی بین ترمینال‌های باتری می‌تواند باعث سوختگی یا ایجاد حریق شود.

- قم بتغطية خط القطع بعدة طبقات من شريط عريض قبل القيام بعملية القطع
- قم دائماً بتوجيه الجانب الجيد من قطعة العمل إلى أسفل
- لتريد من المعلومات، زر موقعنا [www.skil.com](http://www.skil.com)

### الصيانة/الخدمة

- هذه الآلة غير معدة للاستخدام المهني
- احرص دائماً على نظافة الآلة (خاصة فتحات التهوية E ①)
- **! أزل البطارية من الآلة قبل التنظيف**
- إذا تعذر تشغيل الآلة على الرغم من الحذر الشديد في إجراءات التصنيع والاختبار، فيجب القيام بالإصلاحات بواسطة مركز خدمة ما بعد البيع للآلات العاملة بالطاقة الخاصة بشركة SKIL
- قم بإرسال الآلة دون تفكيكها بالإضافة إلى إثبات الشراء إلى البائع أو أقرب مركز خدمة SKIL (العناوين بالإضافة إلى مخطط الخدمة متاحان على [www.skil.com](http://www.skil.com))
- كن على علم بأن التلف الناتج عن زيادة التحميل أو التعامل مع الآلة بطريقة خاطئة سيتم استيعاده من الضمان (لعرفة شروط ضمان SKIL انظر [www.skil.com](http://www.skil.com) أو قم بسؤال الناجر)

### البيئة

- لا تتخلص من الأدوات الكهربائية والبطاريات والملحقات ومواد التغليف مع النفايات المنزلية (الدول الأخرى الأوروبي فقط)
- وفقاً للتوجيه الأوروبي EG/19/2012 الخاص بنفايات المعدات الكهربائية والإلكترونية، وتطبيقه بالتوافق مع القانون المحلي، يجب تجميع الأدوات الكهربائية منتهية الصلاحية بشكل منفصل وإرسالها إلى أحد منشآت إعادة التصنيع المتوافقة مع البيئة
- سيذكر الرمز ① بهذا عند الحاجة إلى التخلص من أية آلة
- **! قبل التخلص من البطارية، قم بحماية أطراف توصيل البطارية بشريط قوي لمنع حدوث دائرة قصر (قفل للدائرة)**

### الضوضاء/الاهتزاز

- عند القياس بالتوافق مع المعيار EN 12841، يكون مستوى ضغط صوت هذه الآلة هو ٨٧ ديسيبل (A) ومستوى قوة الصوت هو ٩٨ ديسيبل (A) (نسبة الشكل K = ٣ ديسيبل). والاهتزاز: \* (مجموع الكميات الموجهة ثلاثي المحاور؛ نسبة الشكل K = ١,٥ م/ ثانية)
- **\* قطع الألواح ١٠,٥٨ م/ثانية**
- **\* قطع العوارض الخشبية ٨,٤٦ م/ثانية**
- تم قياس مستوى انبعاثات الاهتزاز بالتوافق مع الاختبار المعياري المحدد في EN 12841؛ يمكن استخدامه لمقارنة آلة بالآلة الأخرى وكتقييم تمهيدي للتعرض للاهتزاز عند استخدام الآلة في التطبيقات الموضحة
- قد يؤدي استخدام الآلة في تطبيقات مختلفة مع ملحقات مختلفة أو ذات صيانة رديئة إلى زيادة مستوى التعرض بصورة كبيرة
- إن الفترة الزمنية التي يتم خلالها إيقاف تشغيل الآلة أو عندما تكون قيد التشغيل لكنها لا تؤدي أية مهام، قد تؤدي إلى تقليل مستوى التعرض بصورة كبيرة
- **! قم بحماية نفسك من تأثيرات الاهتزاز من خلال صيانة الآلة وملحقاتها، والحفاظ على يدك داغنتين وتنظيم أتماط العمل لديك**

FA

٣٤٧٥

اره رفت و برگشتی بدون برس بی سیم

### مقدمه

- این ابزار برای برش چوب، پلاستیک، فلز و مصالح ساختمانی و همجنین برای هرس و پیرایش درختان در نظر گرفته شده است.
- این ابزار برای مصارف حرفه ای مناسب نیست.
- لطفاً این دفترچه راهنما را مطالعه کنید و نگه دارید. ٣

### اطلاعات فنی ①

- درجة حرارة التشغيل المقبولة
- شحن البطارية يكاذا يكون فارغاً (لحماية من التفرغ العميق للشحن) -> يتم عرض مستوى الشحن المنخفض للبطارية أو يوضع مستوى شحن البطارية المنخفض UB من خلال مؤشر شحن البطارية عند الضغط على الزر؛ الشحن البطارية

**! لا تستمر في الضغط على زر التشغيل/الإيقاف بعد توقف الآلة بشكل تلقائي؛ لأن البطارية قد تكون نالفة**

- تركيب شفرة المنشار ⑩
- **! احرص على إزالة البطارية من الآلة قبل إجراء أي عمليات ضبط أو تغيير على أي من الملحقات**

- أدر مشبك الشفرة C في نفس اتجاه السهم الموجود على الآلة، وثبته في هذا الوضع
- أدخل الشفرة (بحيث تكون الأسنان موجهة لأسفل أو لأعلى) حتى العمق الكامل
- حرر مشبك الشفرة C
- اضغط على المشبك واسحبه للخارج لتأكد من قفله بشكل صحيح
- خلع شفرة المنشار ⑪

- **! احرص على إزالة البطارية من الآلة قبل إجراء أي عمليات ضبط أو تغيير على أي من الملحقات**
- أدر مشبك الشفرة C في نفس اتجاه السهم الموجود على الآلة، وثبته في هذا الوضع
- اسحب الشفرة للخارج
- حرر مشبك الشفرة C
- تثبيت القطعة بإحكام باستخدام المشبك

- حدد موضع خط القطع على قطعة العمل
- قم بتثبيت البطارية في الآلة
- أمسك الآلة وإحدى يديك على المقبض H واليد الأخرى على المقبض الأسطواني D
- المعزول
- قم بتشغيل الآلة
- وجه الآلة على امتداد خط القطع المميز بعلامات
- حافظ على القدم الأوتكازية B بإحكام مقابل قطعة العمل لتقليل القوى المضادة والاهتزاز
- إمساك الآلة وتوجيهها

- **! أثناء العمل، احرص دائماً على الإمساك بالآلة من مناطق المقبض رمادية اللون ⑫**
- احرص على عدم تغطية فتحات التهوية E
- لا تضغط بشدة على الآلة، بل اتركها تقوم بالعمل من أجلك
- **! تأكد من أن شفرة المنشار تمتد إلى ما بعد قطعة العمل على طول حركة المنشار ⑬**

- تدوير القدم الأوتكازية ⑭
- اضغط لأسفل على زر القفل F وصولاً إلى وضع القفل، ثم أزل مجموعة البطارية من الآلة.
- أمسك المنشار بقوة، ثم قم بتدوير القدم الأوتكازية B إلى الزاوية المرغوبة، مع الحرص على تجنب ملامسة الشفرة.
- أعد تركيب البطارية واستعد للقطع

- **نصائح الاستخدام**
- القطع الغائر ⑮

- يمكن إجراء قطوع غائرة في الأخشاب والمواد الناعمة الأخرى بدون عمل ثقب خضيري لفتحة عمل
- استخدم شفرة منشار سمكية
- **! احرص على إزالة البطارية من الآلة قبل إجراء أي عمليات ضبط أو تغيير على أي من الملحقات**
- حدد موضع خط القطع المرغوب على قطعة العمل
- قم بإمالة الآلة بحيث لا تلامس الشفرة قطعة العمل
- قم بتشغيل الآلة وتغشيق شفرة المنشار المتحركة بحذر في قطعة العمل
- بعد أن تخترق الشفرة قطعة العمل، استمر في نشر القطعة على امتداد خط القطع المميز بعلامات
- **! لا تقم بعمل قطوع غائرة في المواد المعدنية**

- استخدم شفرات المنشار الملائمة ⑯
- عند قطع المعادن، قم بتزليق شفرة المنشار بانتظام بالزيت
- قطع بدون شظايا

فالشاحن الملائم لتوع ما من مجموعات البطارية قد يتسبب في نشوب حريق إذا تم استخدامه مع مجموعة بطارية أخرى.

ب) استخدام الآلات العاملة بالطاقة مع مجموعات البطاريات المخصصة لها فقط. استخدام أي مجموعات بطاريات أخرى قد ينشأ عنه خطر الإصابة أو نشوب حريق.

ت) عند عدم استخدام مجموعة البطارية، احمضها بها بعيداً عن الأجزاء المعدنية العمل مثل مشابك الأتوراك أو العملات المعدنية أو الفاتحيد أو المسامير أو البراغي أو الأجزاء المعدنية الصغيرة الأخرى التي قد تتسبب في عمل دائرة قصر (قفل الدائرة) بين أقطاب البطارية، عمل دائرة قصر (قفل الدائرة) بين أطراف البطارية قد يتسبب في حروق أو نشوب حريق.

ث) في حالات التعامل السليمة، قد يحدث ارتشاح للسوائل من البطارية: لا تلامسه. إذا حدثت ملامسة بشكل عرضي، فاغسلها بالماء. إذا لامس السائل العينين، فاطلب المساعدة الطبية على الفور. السائل الخارج من البطارية قد يتسبب في إحتياج الجلد أو حدوث حروق به.

ج) لا تستخدم مجموعة البطارية أو الآلة إذا كانا تالفين أو تم إدخال تعديلات عليهما. لأن البطاريات التالفة أو التي تم تعديلها قد تعمل بشكل غير متوقع، وهو ما قد يؤدي لنشوب حريق أو حدوث انفجار أو خطر التعرض لإصابة.

ح) لا تقم بتعرض مجموعة البطارية أو الآلة للحريق أو درجات الحرارة الزائدة. التعرض لدرجات الحرارة الأعلى من ٣١- درجة مئوية قد يؤدي لحدوث انفجار.

خ) اتبع تعليمات الشحن ولا تشحن مجموعة البطارية أو الآلة في نطاق درجة حرارة خارج النطاق المحدد في التعليمات. قد يؤدي الشحن غير المضبوط أو في درجات حرارة خارج النطاق المسموح به إلى تلف البطارية وخطر نشوب حريق.

١٦ الصيانة  
أ) ينبغي إجراء الصيانة على الآلة بواسطة فني إصلاح متخصص باستخدام قطع غيار أصلية مطابقة فقط. فهذا سيضمن المحافظة على سلامة الآلة.

ب) لا تقم بصيانة مجموعات البطارية التالفة بأي حال من الأحوال. بل ينبغي أن تكون صيانة مجموعات البطارية من خلال الشركة الصانعة أو مقدمي الخدمة المعتمدين فقط.

تعليمات السلامة الخاصة بالمشابك الترددية (أركيت) بدون فرش

- امسك بالآلة العاملة بالطاقة من أسطح الإمساك العزولة، وذلك عند القيام بأعمال قد يتعرض لمخاطر القطع من خلالها إلى التلامس مع أسلاك غير ظاهرة (قد يتلامس ملحق القطع مع سلك تيار "جاري"، وهو ما يجعل الأجزاء المعدنية المكشوفة بالآلة "مكهربة" ويتسبب في إصابة مُشغّل الآلة بصدمة كهربائية)
- استخدم المشابك أو اتبع أي طريقة عملية أخرى لتثبيت ودعم القطعة التي ستعمل عليها على منصة عمل ثابتة (الإمساك بقطعة العمل في يدك أو مقابل جسمك قد يؤدي إلى فقدان التحكم)

الملحقات  
• تضمن SKIL التشغيل السلس للآلة عند استخدام الملحقات الأصلية فقط.  
• استخدم فقط الملحقات بالسرعة المسموح بها، والتي توافق على الأقل أعلى سرعة للآلة بدون حمل

قبل الاستخدام  
• لتجنب التلف الذي قد يتسبب فيه البراغي والمسامير والعناصر الأخرى الموجودة في القطعة التي تعمل بها، قم بفكهم قبل بدء العمل.

• استخدم كاشفات ملائمة للعثور على خط المرافق الخفي أو اطلب شركة المرافق المحلية للحصول على مساعدة (التلامس مع خطوط إمداد الكهرباء قد يؤدي إلى حدوث حريق أو صدمة كهربائية؛ وتلف خط الغاز قد يؤدي إلى حدوث انفجار؛ واختراق أنابيب المياه سيؤدي في حدوث ضرر في الممتلكات أو صدمة كهربائية)

السلامة الشخصية  
• لا يجب استخدام هذه الآلة من قبل الأشخاص الذين يقل عمرهم عن ١٦ عامًا  
• لا تستخدم المنتج على مواد تتضمن على الأسبستوس (يعتبر الأسبستوس مادة مسرطنة)

• الغبار الناتج من المواد كالمطال الذي يحتوي على رصاص وبعض أنواع الأخشاب والمعادن والمكونات المعدنية قد يكون ضارًا (ملاصقة أو استنشاق الغبار قد يتسبب في إصابة المشغّل أو من يجاوره بأمراض الحساسية وأورام الجهاز التنفسي)؛  
• قم بارتداء قناع للغبار مع العمل باستخدام جهاز شفط للغبار، طالما أمكن توصيله

• ثمة أنواع معينة من الغبار تُصنّف على أنها مواد مسببة للسرطان (مثل غبار خشب البليوط والزراّن). خاصة عند استخدامها مع مواد مضافة لعلاج الخشب؛ قم بارتداء قناع للغبار مع العمل باستخدام جهاز شفط للغبار، طالما أمكن توصيله

• التزم بالاحتياطات الوطنية الخاصة بالغبار عند العمل باستخدام المواد المطلوبة  
• احرص على بقاء يدك بعيدًا عن منطقة القطع والشفرة. وضع يدك الأخرى

على المقبض الأسطواني D ① (إذا كنت تمسك المشابك بكلتا يديك، فلن تلحق بهما الشفرة)

• لا تستخدم أسفل قطعة العمل (لأن قرب الشفرة من يدك يكون مختلفًا عن نظرك)

• يحظر نهائيًا الإمساك بقطعة العمل في يدك أو بين ساقيك (من الضروري دعم العمل بشكل صحيح لتقليل إتهاك الجسم أو تعويق حركة الشفرة أو فقدان التحكم)

• لا تستخدم شفرة غير حادة أو تالفة (الشفرة غير الحادة قد تنكسر بسهولة أو تسبب حدوث رد فعل ارتدادي)

• استخدم قفازات حماية عند إزالة الشفرة من الآلة (قد تصبح شفرة المنشار ساخنة بعد الاستخدام لفترة طويلة)

• ارتد نظارات حماية العينين وأدوات حماية السمع  
البطاريات

• البطارية المرفقة مشحونة جزئيًا (الضمان الحصول على كامل طاقة البطارية، قم بشحن البطارية بالكامل من خلال الشاحن قبل استخدام الآلة للمرة الأولى)

• استخدم البطاريات والشواحن التالية فقط مع هذه الآلة  
- بطارية SKIL: BR1\*٣١٠٠٠٠٠٠  
- شاحن SKIL: CR1\*٣١٠٠٠٠٠٠٠

• لا تستخدم البطارية إذا تعرضت للتلف؛ ويجب استبدالها

• لا تقم بتفكيك البطارية بنفسك

• لا تقم بتعرض الآلة/البطارية للمطر

• درجة الحرارة المحيطة للسحوق بها (الآلة/الشاحن/البطارية):  
- أثناء الشحن ٤ إلى ٤٠ درجة مئوية  
- أثناء التشغيل ٠-٠ إلى ٥٠+ درجة مئوية

• أثناء التخزين ٠-٠ إلى ٥٠+ درجة مئوية  
شرح الرموز الموجودة على الآلة/البطارية

Ⓣ أقرأ دليل التعليمات قبل الاستخدام  
Ⓛ قد تنفجر البطاريات عندما تتعرض للشار. لذا لا تحرق البطارية لأي سبب

Ⓜ قم بتخزين الآلة/الشاحن/البطارية في أماكن لا تتجاوز درجة الحرارة فيها ٥٠ درجة مئوية

Ⓛ لا تتخلص من الآلات الكهربائية والبطاريات مع النفايات المنزلية

## الاستخدام

• شحن البطارية  
! اقرأ تحذيرات وتعليمات السلامة المرفقة مع الشاحن

• خلع تركيب البطارية Ⓣ  
• مؤشر شحن البطارية Ⓜ  
- اضغط على زر مؤشر شحن البطارية ل تعرض مستوى شحن البطارية الحالي

Ⓜa  
• عند بدء مستوى الحد الأدنى لمؤشر البطارية في الموضع بعد الضغط على الزر ل Ⓜb، فهذا معناه أن البطارية فارغة الشحنة

! عند بدء مستويين من مؤشر البطارية في الموضع بعد الضغط على الزر ل Ⓜc، فهذا معناه أن البطارية ليست في نطاق درجة حرارة التشغيل المسموح بها

• مفتاح مدمج للتشغيل/الإيقاف والتحكم في السرعة مع زر قفل Ⓜa Ⓜb  
• افتح القفل أولاً عن طريق الضغط على الزر F

• يمكنك تشغيل الآلة عن طريق سحب المفتاح الزنبركي G

• يتحكم في السرعة من الصفر وحتى السرعة القصوى على نحو غير متدرج بالضغط أكثر أو أقل على الزناد

• أوقف التشغيل عن طريق تحرير المفتاح الزنبركي G

• يمكن تفعيل زر القفل F Ⓜa  
• عند التفعيل، تتم إعاقة مفتاح التشغيل/الإيقاف وتأمين الآلة ضد التشغيل بدون قصد

• مصابيح LED مزودة K Ⓜb  
• تضئ مصابيح LED المزودة تلقائيًا عند تفعيل المفتاح G

! عندما تبدأ مصابيح DEL في الوميض، يتم تنشيط خاصية حماية البطارية (انظر أدناه)

• حماية البطارية  
• قبل ائدال تالاج ال ي ف اهل ي غ شرت ر ك م ي ال و ا و ا ف م ل ك ش ب ل م ع ال ن ع ق ل آل ا ف ق و ت ت

- الحمل زائد للغاية --> تخلى من الحمل وأعد التشغيل

- درجة حرارة البطارية ليست في نطاق درجة حرارة التشغيل المقبولة وهو

٢٠٠ إلى ٥٠٠ درجة مئوية --> تبدأ مستويات مؤشر شحن البطارية في الوميض عند الضغط على الزر ل Ⓜc. انتظر حتى عودة البطارية إلى نطاق



## منشأ ترددي (أركيت) لاسلكي بدون فرش ٣٤٧٥

### مقدمة

- هذه الآلة مخصصة لقطع الخشب والبلاستيك والعدن ومواد البناء ولتهديب وتقليم الأشجار.
- هذه الآلة غير معدة للاستخدام الاحترافي.
- اقرأ دليل التعليمات هذا واحتفظ به. (٢)

### البيانات الفنية ١

### مكونات الآلة ٢

- A الشفرة
- B قدم ارتكازي
- C مشبك الشفرة
- D مقبض أسطواني
- E فتحات التهوية
- F زر القفل
- G مفتاح للتشغيل/الإيقاف والتحكم في السرعة
- H مقبض
- J زر مؤشر شحن البطارية
- K مصابيح DEL مزودة

### السلامة

#### تحذيرات السلامة العامة المتعلقة بالآلة العاملة بالبطاقة

اقرأ جميع تحذيرات السلامة والتعليمات والرسم التوضيحية والمواصفات المرفقة مع هذه الآلة. عدم اتباع جميع التعليمات الواردة أدناه قد يؤدي إلى حدوث صدمة كهربائية أو نشوب حريق أو التعرض للابصاة. أحدها أو جميعها.

#### احتفظ بجميع التحذيرات والتعليمات للرجوع إليها في المستقبل.

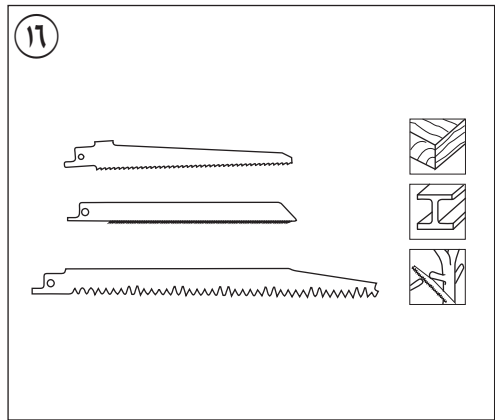
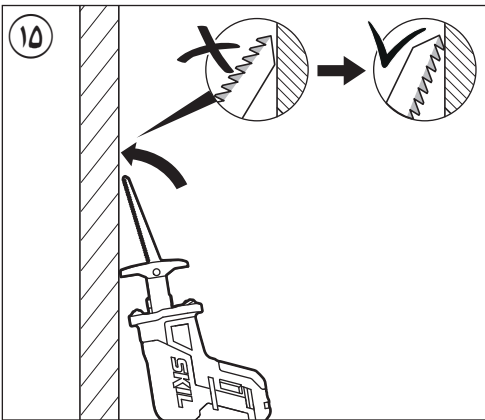
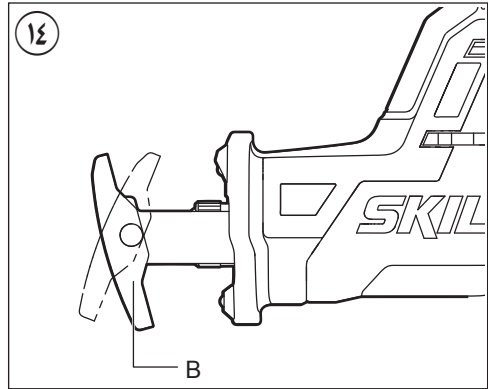
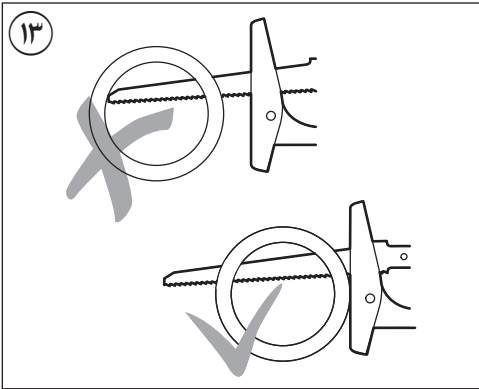
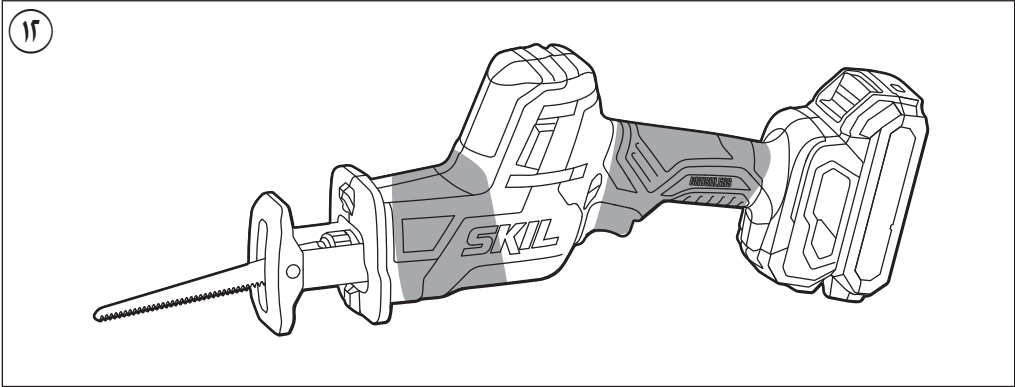
يشير مصطلح "آلة عاملة بالبطاقة" في قسم التحذيرات إلى الآلة العاملة بالبطاقة (الموصولة بسلك تيار) أو الآلة العاملة بالبطارية (غير الموصولة بسلك تيار).

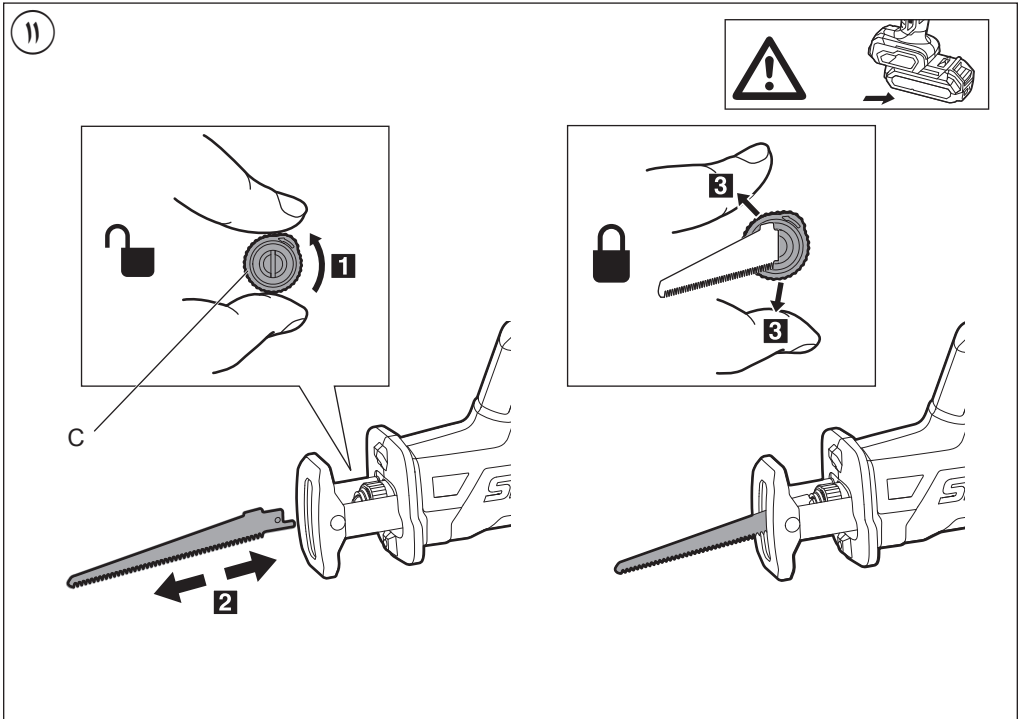
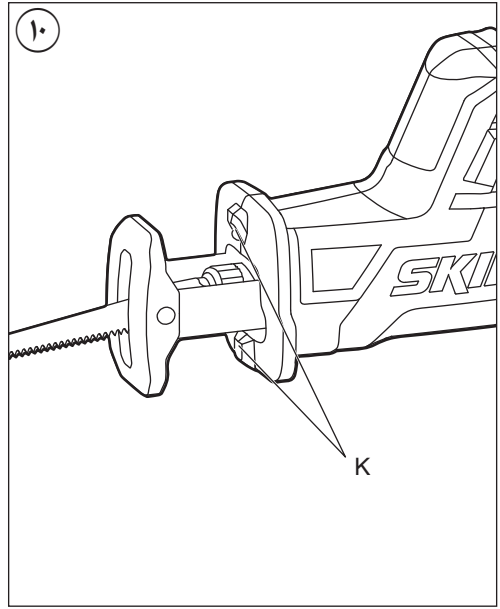
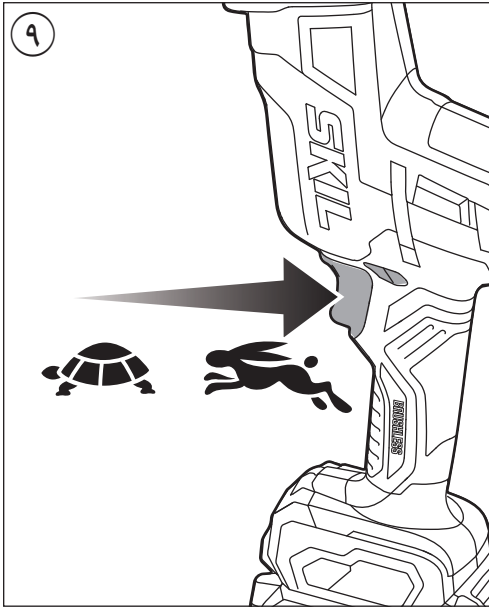
- ١ سلامة منطقة العمل
  - أ) حافظ على منطقة العمل نظيفة ومضاءة جيداً. حيث عادة ما تنسب المناطق المظلمة أو التي بها ركام إلى وقوع حوادث.
  - ب) لا تقم بتشغيل الآلات العاملة بالعلاقة في أجواء قابلة للانفجار. على سبيل المثال في وجود سوائل أو غازات أو غبار قابلة للاشتعال فقد تنسب الآلات العاملة بالبطاقة في صورة شرارة، والتي قد تنسب في اشتعال الغبار أو الأبخرة القابلة للاشتعال.
  - ت) احتفظ بالأطفال والمشاهدين بعيداً عن موقع استعمال الآلة العاملة بالبطاقة. حيث أن الإلهاء قد يجعلك تفقد السيطرة على الآلة.
  - ٢ السلامة الكهربائية
    - أ) ينبغي أن يتوافق قابس الآلة العاملة بالبطاقة مع مقبس التيار. لا يجب إدخال تعديلات على القابس بأي حال من الأحوال لا تستخدم أي قوابس مهيأة مع الآلات العاملة بالبطاقة الموضبة. سيؤدي القوابس غير المعدلة والمقابس المتوافقة إلى الحد من خطر حدوث صدمة كهربائية.
    - ب) تجنب ملامسة الجسم لأسطح موصلة مثل الأنياب والمشايع والمواقف والتلجعات. هناك خطر متزايد لحدوث صدمة كهربائية إذا كان جسمك مؤرضاً.
    - ت) لا تقم بتعرض الآلات العاملة بالبطاقة للمطر أو الأجواء الرطبة. حيث سيؤدي الماء الذي يدخل إلى الآلة العاملة بالبطاقة إلى زيادة خطر حدوث صدمة كهربائية.
    - ث) لا تعبت بسلك التيار. لا تقم أبداً باستخدام سلك التيار لحمل الآلة العاملة بالبطاقة أو سحبها أو فصلها عن التيار. احتفظ بالسلك بعيداً عن مصادر الحرارة أو الزيت أو الحواف الحادة أو الأجزاء المتحركة. تؤدي أسلاك التيار التالفة أو المتشابكة إلى زيادة خطر حدوث صدمة كهربائية.
    - ج) عند تشغيل آلة عاملة بالبطاقة في مكان خارجي مفتوح. استخدم سلك تمديد ملائم للاستخدام الخارجي. استخدم سلك ملائم للاستخدام الخارجي يحد من خطر حدوث صدمة كهربائية.
    - ح) إذا كان لا بد من تشغيل الآلة في مكان رطب. فاستخدم مصدر تيار محمي

بقاطع تيار متبقي (DCR). يؤدي استخدام قاطع التيار المتبقي إلى الحد من خطر حدوث صدمة كهربائية.

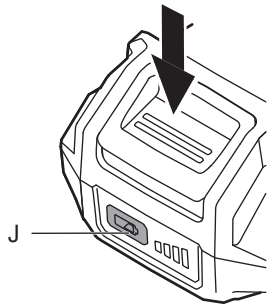
### ٣ السلامة الشخصية

- أ) ابق منتهيها. وانتهب جيداً ما تفعله. وكن وعظماً عند تشغيل آلة تعمل بالبطاقة. لا تستخدم آلة تعمل بالبطاقة وأنت مجهود أو تحت تأثير المهدرات أو الكحوليات أو الأدوية. قد تؤدي لحظة من عدم الانتباه أثناء تشغيل الآلات العاملة بالبطاقة إلى حدوث إصابات شخصية خطيرة.
- ب) استخدم أدوات حماية شخصية. وارته دائماً أدوات حماية للعينين سيؤدي استخدام أدوات الحماية كغفاز الغبار أو أحذية السلامة المضادة للانزلاق أو القبعة الصلبة أو أدوات حماية السمع في ظروف مناسبة إلى الحماية من الإصابات الشخصية.
- ت) امنع بدء تشغيل الآلة غير المتعمد. احرص على أن يكون مفتاح الطاقة في وضع الإيقاف قبل توصيل الآلة بمصدر التيار أو مجموعة البطاريات. أو التقاط الآلة أو حملها. قد يؤدي حمل الآلات العاملة بالبطاقة وأصبعك على مفتاح التشغيل أو شحن الآلات العاملة بالبطاقة ومفتاح التشغيل في وضع التشغيل إلى وقوع حوادث.
- ث) أزل أي مفتاح تعديل أو مفتاح ربط قبل تشغيل الآلة العاملة بالبطاقة. قد يؤدي ترك مفتاح ربط أو مفتاح عادي مركباً على جزء دوار بالآلة العاملة بالبطاقة إلى وقوع إصابات شخصية.
- ج) لا تقف في مكان تضطر لم يدبك بعيداً. قف وأنت ثابت ومتوازن في جميع الأوقات. وهو ما يسمح بتحكم أفضل في الآلة العاملة بالبطاقة في الظروف غير المتوقعة.
- ح) ارتد ملابس ملائمة. لا ترتد ملابس أو مجوهرات غير ثابتة. احتفظ بشعرك وملابسك بعيداً عن الأجزاء المتحركة. قد تعلق الملابس الفضفاضة أو المجوهرات أو الشعر الطويل في الأجزاء المتحركة.
- خ) إذا تمت إتاحة الأجهزة لتوصيل مرافق استخلاص وجمع الغبار. فتأكد من توصيلها واستخدامها على نحو ملائم. قد يؤدي استخدام جمع الغبار إلى الحد من المخاطر المرتبطة به.
- د) لا تدع الحجرة المتكسبة من الاستخدام المتكرر للآلات يجعلك تتعامل دون الانتباه اللازم وتجاهل مبادئ السلامة المتعلقة بالآلة. فقد يتسبب أي إجراء غير مدروس في إصابات خطيرة في جزء من الثانية.
- ٤) استخدام الآلة العاملة بالبطاقة والعناية بها
  - أ) لا جبر الآلة العاملة بالبطاقة على أعمال تفوق قدرتها. استخدم الآلة العاملة بالبطاقة للملازمة لأعمالك. ستقوم الآلة العاملة بالبطاقة للملازمة بأداء أعمالك بشكل أفضل وأكثر أماناً بالمعدل الذي أعدت له.
  - ب) لا تستخدم الآلة العاملة بالبطاقة إذا كان مفتاح التشغيل لا يمكن نقله إلى وضع التشغيل أو وضع الإيقاف أي آلة عاملة بالبطاقة لا يمكن التحكم فيها بمفتاح التشغيل تعتبر خطيرة وينبغي إصلاحها.
  - ت) أفضل القابس من مصدر التيار وأو اخلع مجموعة البطاريات - إذا كانت قابلة للخلع - من الآلة العاملة بالبطاقة قبل إجراء أي تعديلات أو تغيير ملحقات أو تخزين الآلات العاملة بالبطاقة. إجراءات السلامة الوقائية هذه قد من خطر تشغيل الآلة العاملة بالبطاقة بشكل خاطئ.
  - ث) حزن الأداة العاملة بالبطاقة المضبوطة على وضع الاستعداد بعيداً عن متناول أيدي الأطفال. ولا تسمح للأشخاص غير المعتادين على الأداة العاملة بالبطاقة أو على هذه التعليمات بتشغيل الأداة العاملة بالبطاقة. الآلات العاملة بالبطاقة تكون خطيرة في أيدي الأشخاص غير المدربين.
  - ج) حافظ على الآلات العاملة بالبطاقة والملحقات. تحقق ما إذا كان هناك عدم مصاداة أو ربط للأجزاء المتحركة. وعدم وجود أجزاء مكسورة وأي حالة أخرى قد تؤثر على تشغيل الآلة العاملة بالبطاقة. إذا كان هناك تلف. قمم إصلاح الآلة العاملة بالبطاقة قبل استخدامها. فالعديد من الحوادث يكون سببها الآلات التي لم تتم صيانتها.
  - ح) احتفظ بالأدوات والقطع حادة ونظيفة. الأدوات الفاطعة التي يتم صيانتها كما ينبغي للاحتفاظ بحوافها الفاطعة حادة تكون أقل عرضة للانحنا وسهل التحكم فيها.
  - خ) استخدم الآلة والملحقات والقمم وما شابههم وفقاً لهذه التعليمات. مع الأخذ في الاعتبار ظروف العمل والأعمال التي سيتم تنفيذها. قد يؤدي استخدام الآلة في أعمال غير تلك المخصصة لها إلى حوادث خطيرة.
  - د) احتفظ بالمقابض وأسطح الإمساك جافة ونظيفة وخالية من الزيوت والشحوم. لأن المقابض وأسطح الإمساك المنزقة لا تمنحك القدرة على التعامل والتحكم الآمن في الآلة في المواقف غير المتوقعة.
  - هـ) استخدام الآلة العاملة بالبطارية والعناية بها
  - أ) لا تعد شحن الآلة إلا باستخدام الشاحن المأخذ من قبل الشركة الصانعة.

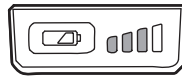




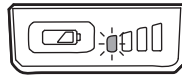
V



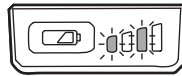
V a



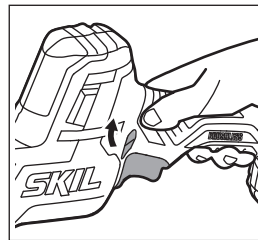
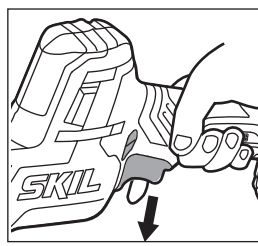
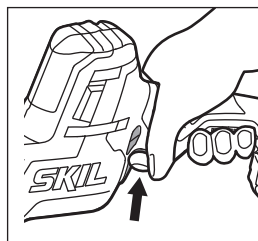
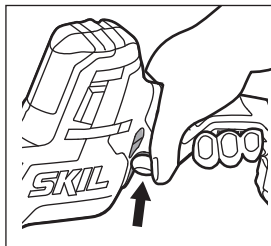
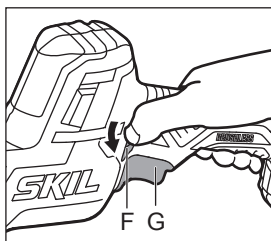
V b



V c



A



1 3475

20V Max  
18  
Volt

2,0 Ah  
2,5 Ah




2,2 kg

4,0 Ah  
5,0 Ah



2,5 kg


  
n<sub>0</sub>  
0-3000  
/min

  
25  
mm

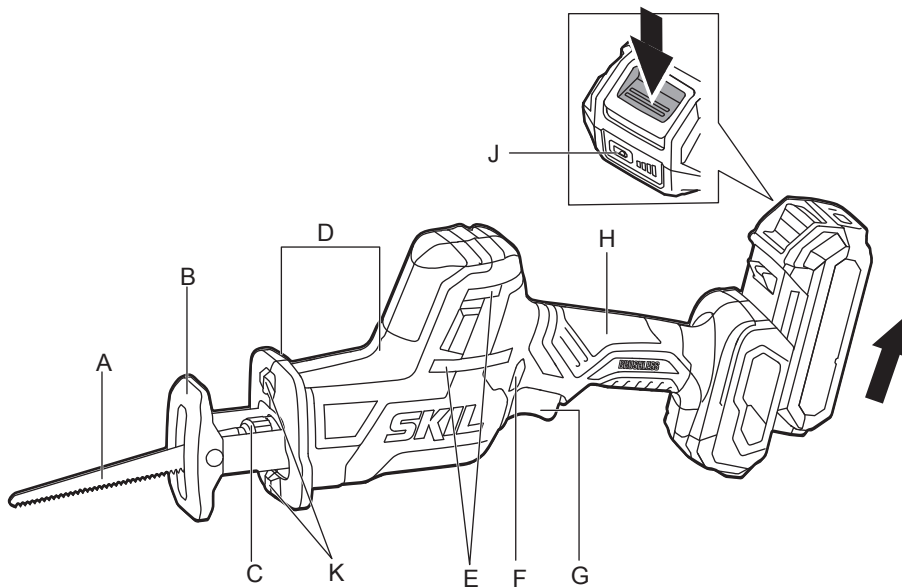
  
200 mm

Alu  
  
30 mm

Fe  
  
20 mm

Fe  
  
100 mm

2



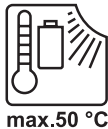
3



4



5



6



منشار ترددي (أركيت) لاسلكي بدون فرش

3475

**SKIL®**



دليل الاستعمال  
راهنماي اصلي

AR

FA

