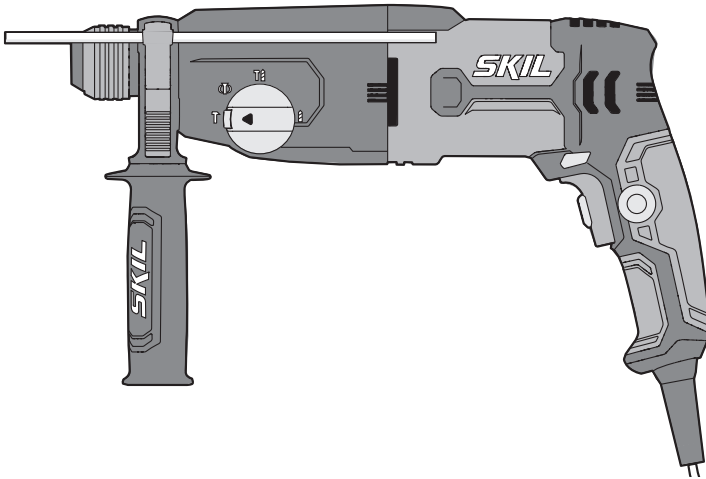


# SKIL®

## ROTARY HAMMER 1770 (RH1\*1770\*\*)



**GB** ORIGINAL INSTRUCTIONS

11





[www.skil.com](http://www.skil.com)



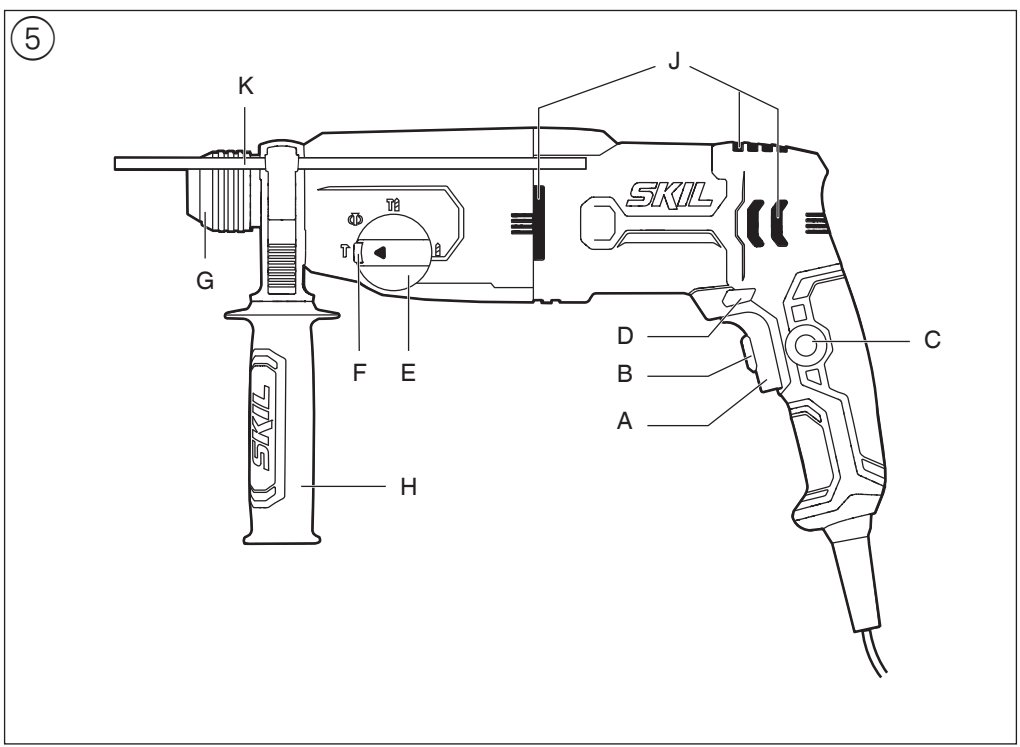
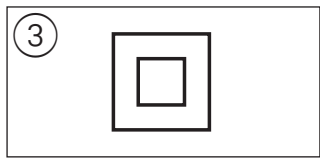


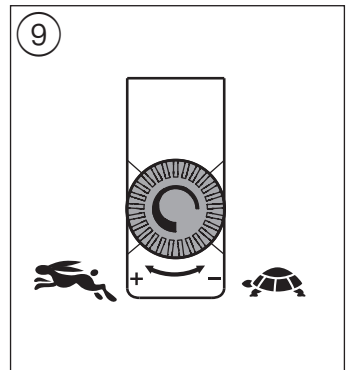
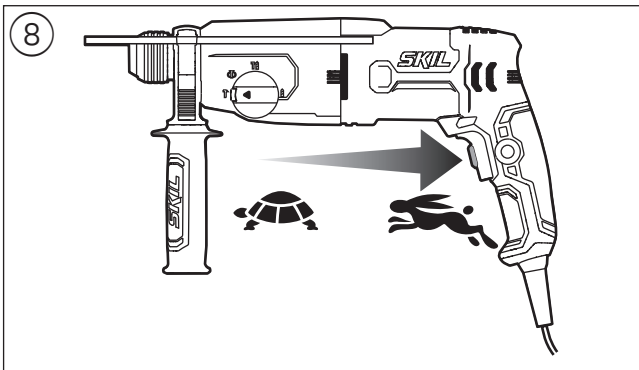
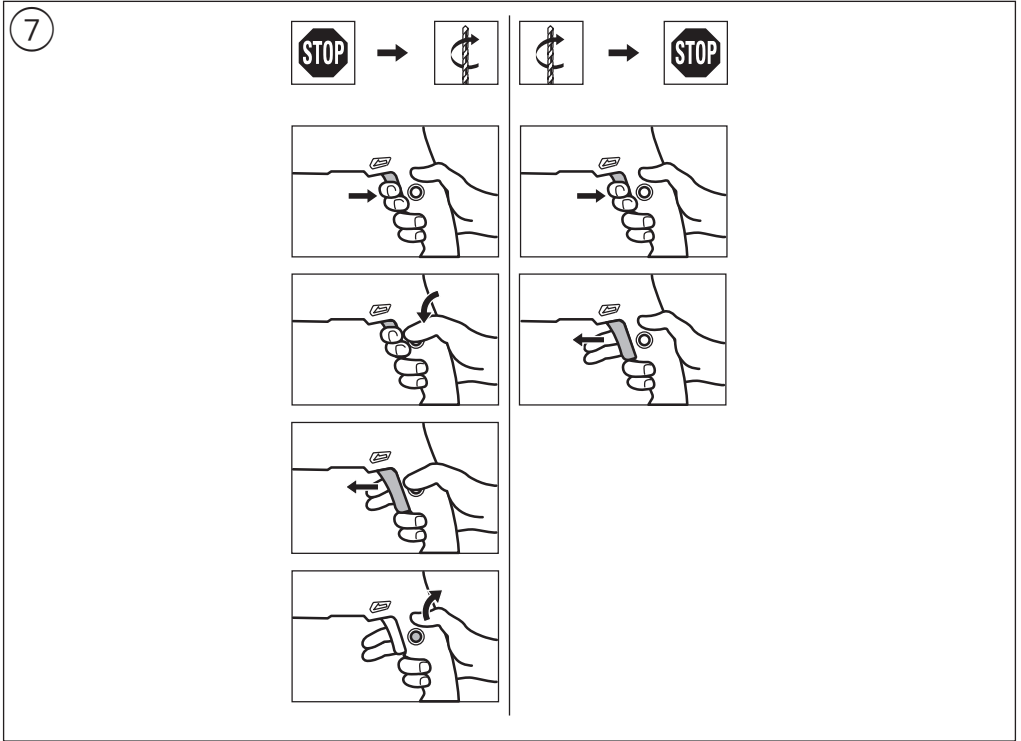
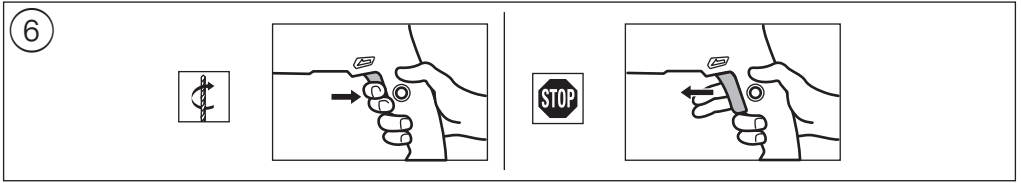
<p><b>GB</b> EU Declaration of conformity</p> <p><b>Rotary hammer</b> Article number</p>	<p>We declare under our sole responsibility that the stated products comply with all applicable provisions of the directives and regulations listed below and are in conformity with the following standards.</p> <p>Technical file at:*</p>						
<p><b>1770</b> RH1*1770**</p>	<table border="1"><tr><td data-bbox="476 279 649 438"><p>2006/42/EC 2014/30/EU 2011/65/EU</p></td><td data-bbox="649 279 1071 438"><p>EN 62841-1:2015 EN 62841-2-6:2020 + A11:2020  EN 55014-1:2021 EN 55014-2:2021 EN 61000-3-2:2019+A1:2021 EN 61000-3-3:2013+A1:2019  EN 63000: 2018</p></td></tr><tr><td data-bbox="476 438 649 526"><p><b>SKIL</b>®</p></td><td data-bbox="649 438 1071 526"><p>* Skil BV Rithmeesterpark 22 A1 4838 GZ Breda The Netherlands</p></td></tr><tr><td data-bbox="476 526 649 713"><p>Olaf Dijkgraaf Approval Manager</p></td><td data-bbox="649 526 1071 713"><p>Skil BV, Rithmeesterpark 22 A1, 4838 GZ Breda, NL 21.10.2021</p></td></tr></table>	<p>2006/42/EC 2014/30/EU 2011/65/EU</p>	<p>EN 62841-1:2015 EN 62841-2-6:2020 + A11:2020  EN 55014-1:2021 EN 55014-2:2021 EN 61000-3-2:2019+A1:2021 EN 61000-3-3:2013+A1:2019  EN 63000: 2018</p>	<p><b>SKIL</b>®</p>	<p>* Skil BV Rithmeesterpark 22 A1 4838 GZ Breda The Netherlands</p>	<p>Olaf Dijkgraaf Approval Manager</p> 	<p>Skil BV, Rithmeesterpark 22 A1, 4838 GZ Breda, NL 21.10.2021</p>
<p>2006/42/EC 2014/30/EU 2011/65/EU</p>	<p>EN 62841-1:2015 EN 62841-2-6:2020 + A11:2020  EN 55014-1:2021 EN 55014-2:2021 EN 61000-3-2:2019+A1:2021 EN 61000-3-3:2013+A1:2019  EN 63000: 2018</p>						
<p><b>SKIL</b>®</p>	<p>* Skil BV Rithmeesterpark 22 A1 4838 GZ Breda The Netherlands</p>						
<p>Olaf Dijkgraaf Approval Manager</p> 	<p>Skil BV, Rithmeesterpark 22 A1, 4838 GZ Breda, NL 21.10.2021</p>						

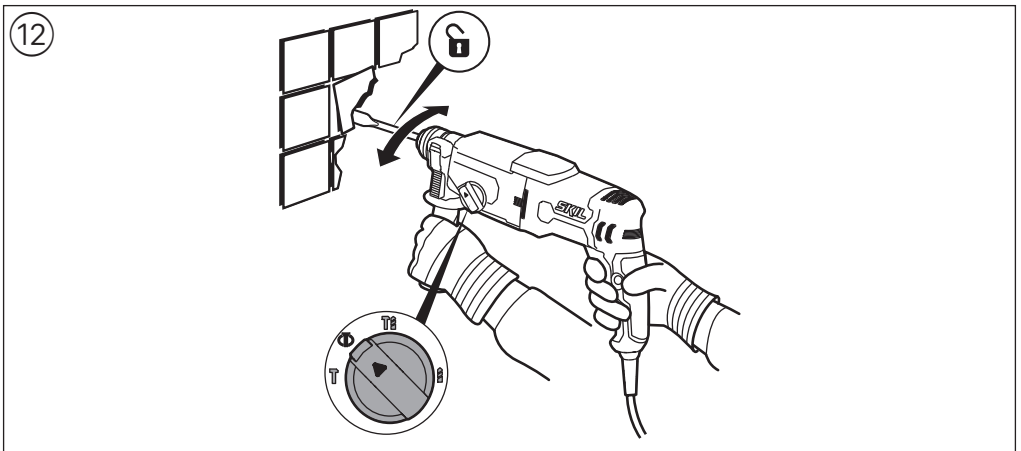
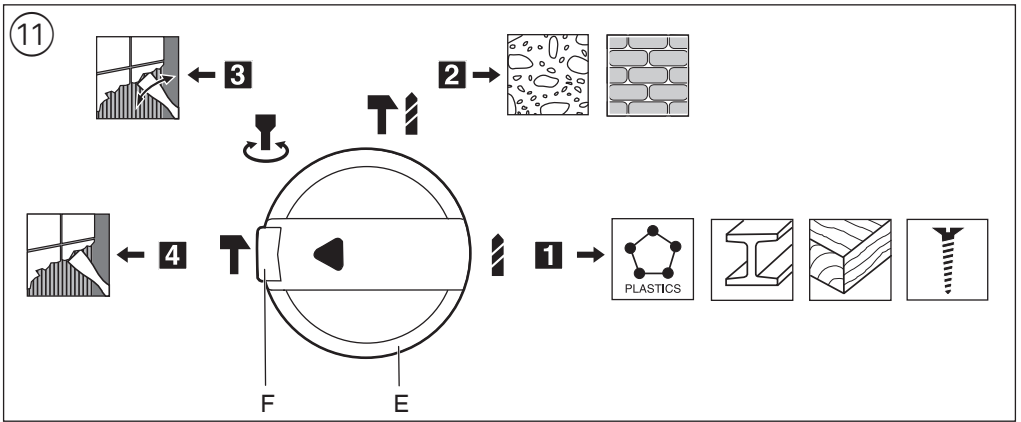
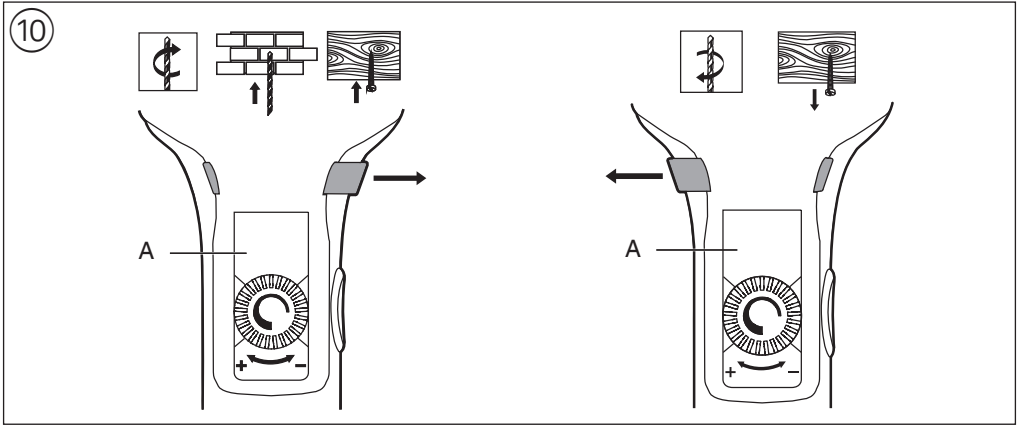
<b>Declaration of Conformity</b>		We declare under our sole responsibility that the stated products comply with all applicable provisions of the directives and regulations listed below and are in conformity with the following standards
<b>Rotary hammer</b>	Article number	Technical file at: Chervon Europe Ltd., 34 Bridge Street, Reading, RG1 2LU, United Kingdom
<b>1770</b>	<b>RH1*1770**</b>	Supply of Machinery (Safety) Regulations 2008 (SI 2008/1597) Electromagnetic Compatibility Regulations 2016 (SI 2016/1091) The Restriction of the Use of Certain Hazardous Substances in Electrical and Electronic Equipment Regulations 2012 (SI 2012/3032)  EN 62841-1:2015 EN 62841-2-6:2020 + A11:2020  EN 55014-1:2021 EN 55014-2:2021 EN 61000-3-2:2019+A1:2021 EN 61000-3-3:2013+A1:2019  EN IEC 63000:2018
		 Chervon Europe Ltd., 34 Bridge Street, Reading, RG1 2LU, United Kingdom, as authorized representative (in terms of above regulations) acting on behalf of Skil BV, Rithmeesterpark 22 A1, 4838GZ Breda, The Netherlands
		James McCrory Technical Service Manager  Place of issue: Reading Date of issue: 21/10/2022

1 1770

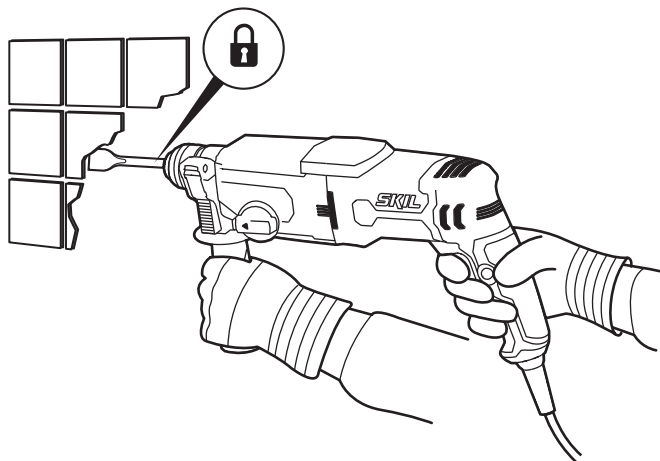
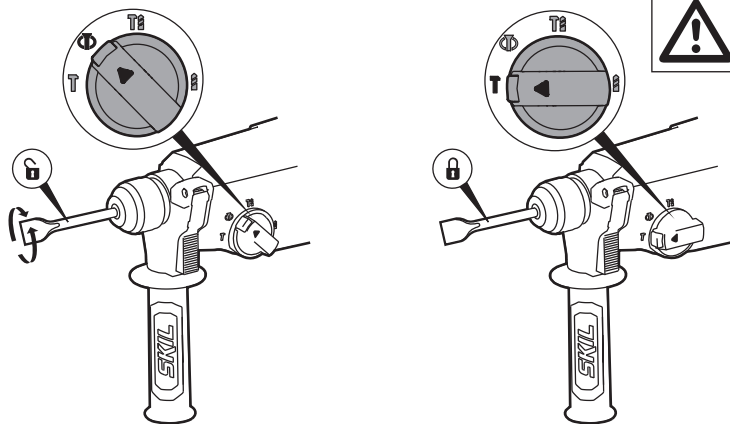
<b>850</b> Watt	<b>3,1 kg</b>	<b>0-980</b> /min	<b>0-5150</b> p/min	<b>2,8J power</b>	<b>SDS+</b>	<b>Fe</b> <b>13mm</b>
<b>26mm</b>	<b>40mm</b>	<b>220</b> <b>240</b> V~ 50-60 Hz				



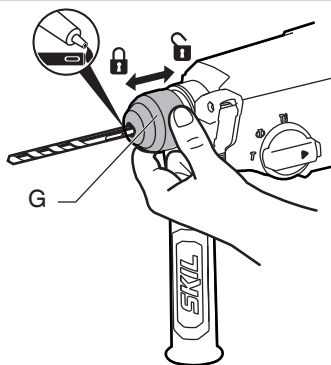




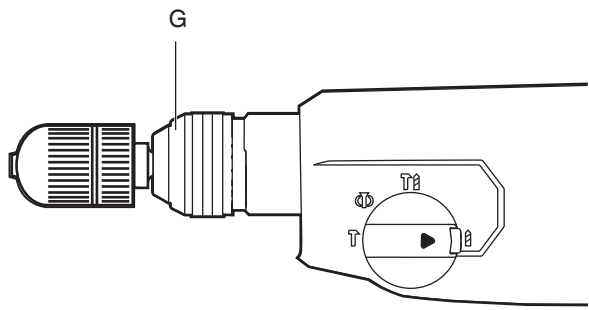
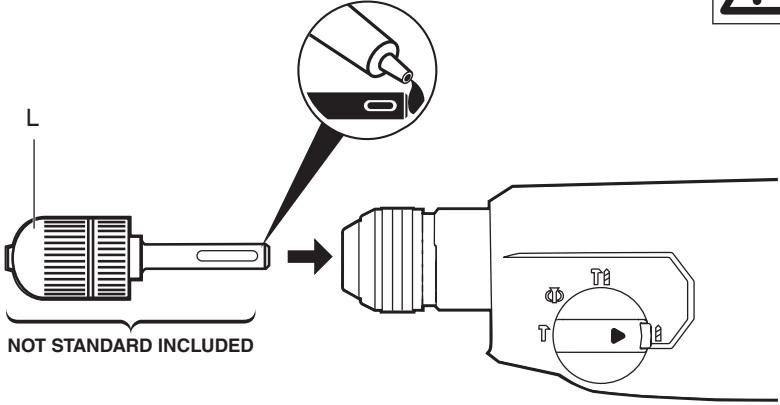
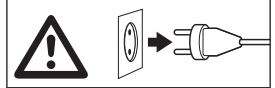
13



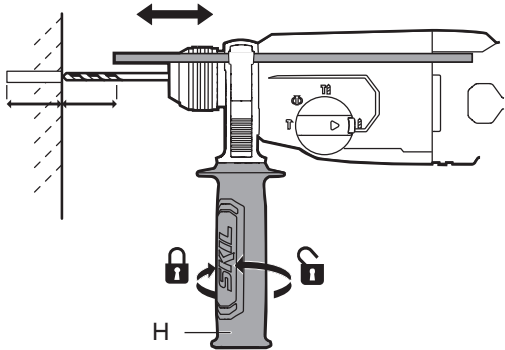
14



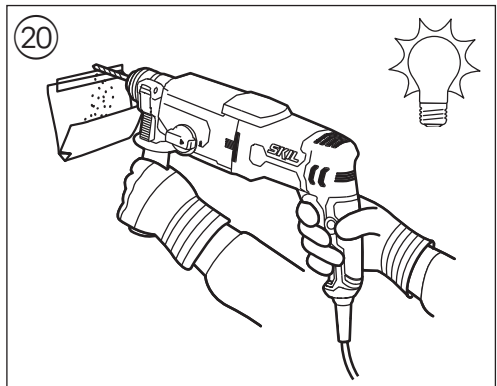
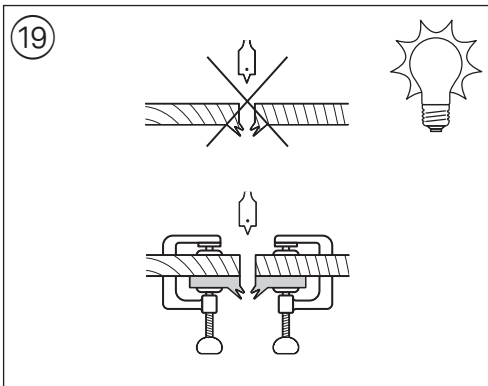
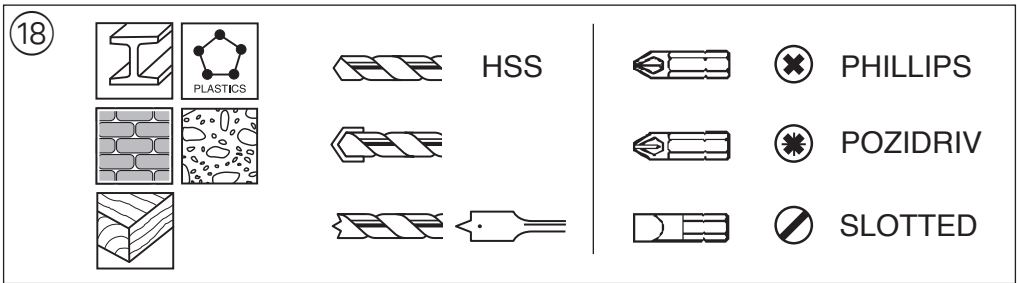
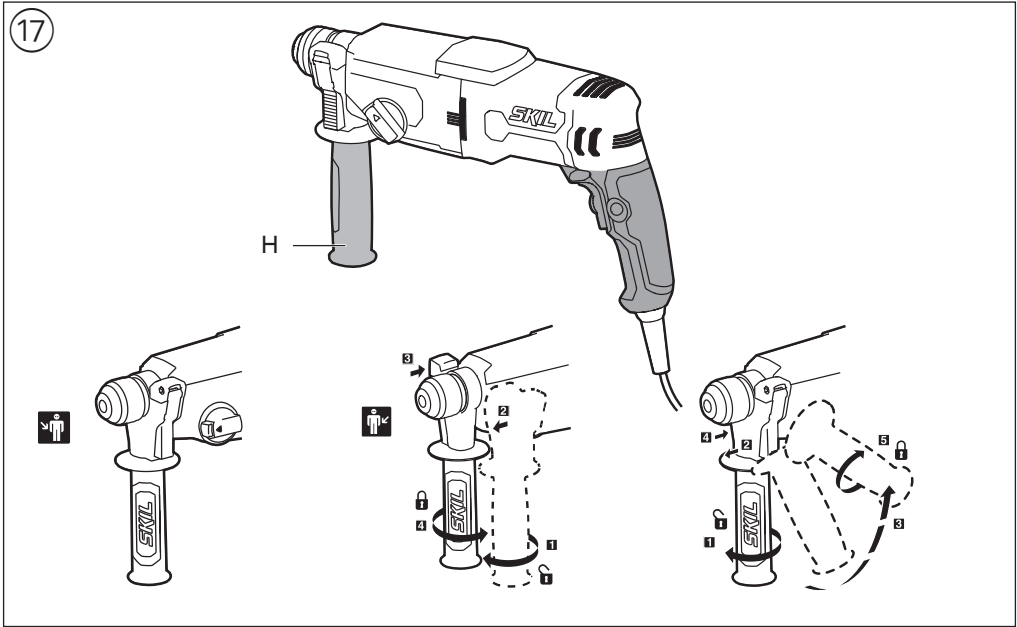
15

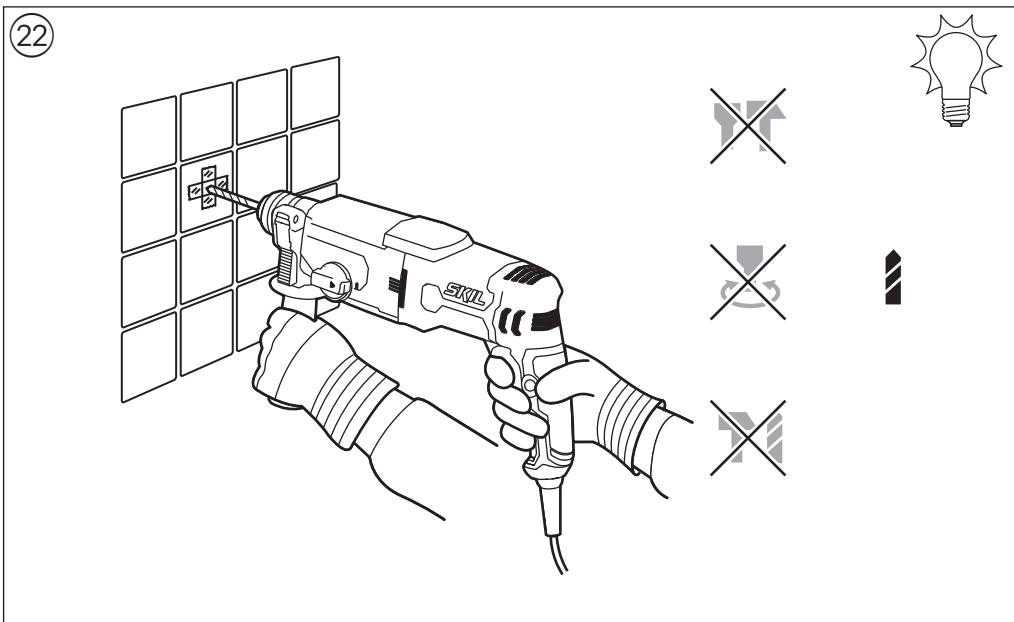
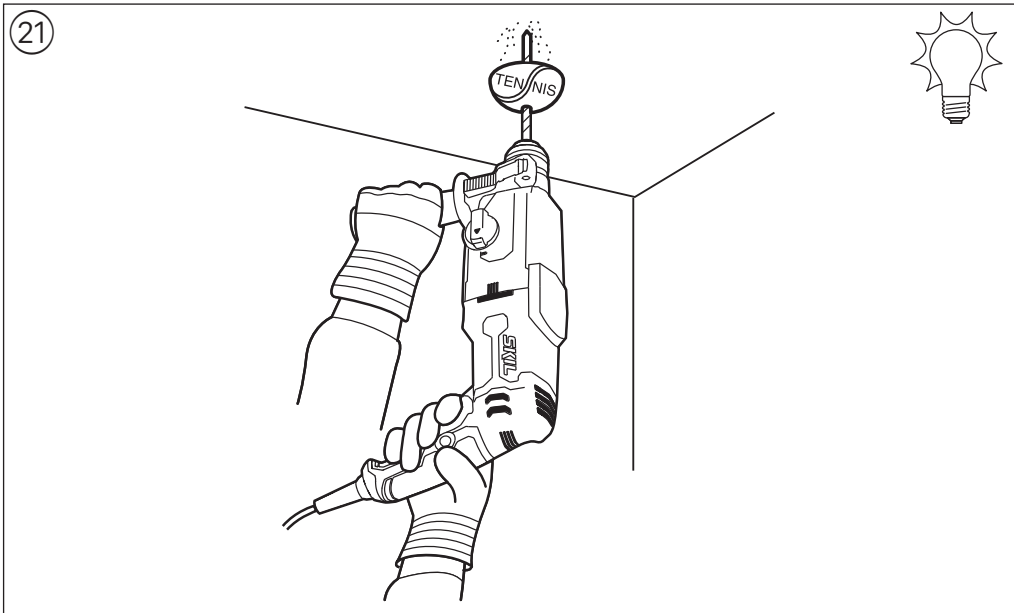


16









ACCESSORIES



WWW.SKIL.COM

## Rotary hammer

1770

### INTRODUCTION

- This tool is intended for hammer drilling in concrete, brick and stone as well as for light chiseling work; for drilling in wood, metal and plastic as well as for screwdriving specific accessories should be used
- The hammering system in this tool outperforms any traditional ratcheting drill when drilling in concrete
- This tool is not intended for professional use
- This tool is designed for use in combination with all standard SDS+ accessories
- Read and save this instruction manual ②

### TECHNICAL DATA ①

### TOOL ELEMENTS ⑤

- A Switch for on/off and speed control
- B Wheel for maximum speed control
- C Button for switch locking
- D Switch for changing direction of rotation
- E Switch for selecting operating mode
- F Unlocking button
- G Locking sleeve
- H Auxiliary handle
- J Ventilation slots
- K Depth gauge

## SAFETY

### GENERAL POWER TOOL SAFETY WARNINGS

**⚠ WARNING** Read all safety warnings, instructions, illustrations and specifications provided with this power tool. Failure to follow all instructions listed below may result in electric shock, fire and/or serious injury.

Save all warnings and instructions for future reference.

The term "power tool" in the warnings refers to your mains-operated (corded) power tool or battery-operated (cordless) power tool.

#### 1) WORK AREA SAFETY

- a) **Keep work area clean and well lit.** Cluttered or dark areas invite accidents.
- b) **Do not operate power tools in explosive atmospheres, such as in the presence of flammable liquids, gases or dust.** Power tools create sparks which may ignite the dust or fumes.
- c) **Keep children and bystanders away while operating a power tool.** Distractions can cause you to lose control.

#### 2) ELECTRICAL SAFETY

- a) **Power tool plugs must match the outlet. Never modify the plug in any way. Do not use any adapter plugs with earthed (grounded) power tools.** Unmodified plugs and matching outlets will reduce risk of electric shock.
- b) **Avoid body contact with earthed or grounded surfaces such as pipes, radiators, ranges and**

**refrigerators.** There is an increased risk of electric shock if your body is earthed or grounded.

- c) **Do not expose power tools to rain or wet conditions.** Water entering a power tool will increase the risk of electric shock.
- d) **Do not abuse the cord. Never use the cord for carrying, pulling or unplugging the power tool. Keep cord away from heat, oil, sharp edges or moving parts.** Damaged or entangled cords increase the risk of electric shock.
- e) **When operating a power tool outdoors, use an extension cord suitable for outdoor use.** Use of a cord suitable for outdoor use reduces the risk of electric shock.
- f) **If operating a power tool in a damp location is unavoidable, use a residual current device (RCD) protected supply.** Use of an RCD reduces the risk of electric shock.

#### 3) PERSONAL SAFETY

- a) **Stay alert, watch what you are doing and use common sense when operating a power tool. Do not use a power tool while you are tired or under the influence of drugs, alcohol or medication.** A moment of inattention while operating power tools may result in serious personal injury.
  - b) **Use personal protective equipment. Always wear eye protection.** Protective equipment such as a dust mask, non-skid safety shoes, hard hat, or hearing protection used for appropriate conditions will reduce personal injuries.
  - c) **Prevent unintentional starting. Ensure the switch is in the off-position before connecting to power source and/or battery pack, picking up or carrying the tool.** Carrying power tools with your finger on the switch or energising power tools that have the switch on invites accidents.
  - d) **Remove any adjusting key or wrench before turning the power tool on.** A wrench or a key left attached to a rotating part of the power tool may result in personal injury.
  - e) **Do not overreach. Keep proper footing and balance at all times.** This enables better control of the power tool in unexpected situations.
  - f) **Dress properly. Do not wear loose clothing or jewellery. Keep your hair and clothing away from moving parts.** Loose clothes, jewellery or long hair can be caught in moving parts.
  - g) **If devices are provided for the connection of dust extraction and collection facilities, ensure these are connected and properly used.** Use of dust collection can reduce dust-related hazards.
  - h) **Do not let familiarity gained from frequent use of tools allow you to become complacent and ignore tool safety principles.** A careless action can cause severe injury within a fraction of a second.
- #### 4) POWER TOOL USE AND CARE
- a) **Do not force the power tool. Use the correct power tool for your application.** The correct power tool will do the job better and safer at the rate for which it was designed.
  - b) **Do not use the power tool if the switch does not turn it on and off.** Any power tool that cannot be controlled with the switch is dangerous and must be repaired.

- c) **Disconnect the plug from the power source and/ or remove the battery pack, if detachable, from the power tool before making any adjustments, changing accessories, or storing power tools.** Such preventive safety measures reduce the risk of starting the power tool accidentally.
  - d) **Store idle power tools out of the reach of children and do not allow persons unfamiliar with the power tool or these instructions to operate the power tool.** Power tools are dangerous in the hands of untrained users.
  - e) **Maintain power tools and accessories. Check for misalignment or binding of moving parts, breakage of parts and any other condition that may affect the power tool's operation. If damaged, have the power tool repaired before use.** Many accidents are caused by poorly maintained power tools.
  - f) **Keep cutting tools sharp and clean.** Properly maintained cutting tools with sharp cutting edges are less likely to bind and are easier to control.
  - g) **Use the power tool, accessories and tool bits etc., in accordance with these instructions, taking into account the working conditions and the work to be performed.** Use of the power tool for operations different from those intended could result in a hazardous situation.
  - h) **Keep handles and grasping surfaces dry, clean and free from oil and grease.** Slippery handles and grasping surfaces do not allow for safe handling and control of the tool in unexpected situations.
- 5) **SERVICE**
- a) **Have your power tool serviced by a qualified repair person using only identical replacement parts.** This will ensure that the safety of the power tool is maintained.

## SAFETY INSTRUCTIONS FOR HAMMERS

- **Wear ear protectors** (exposure to noise can cause hearing loss)
- **Use auxiliary handle(s), if supplied with the tool** (loss of control can cause personal injury)
- **Hold the power tool by insulated gripping surfaces, when performing an operation where the cutting accessory or fastener may contact hidden wiring or its own cord** (cutting accessory or fastener contacting a "live" wire may make exposed metal parts of the power tool "live" and could give the operator an electric shock)

## SAFETY INSTRUCTIONS WHEN USING LONG DRILL BITS WITH ROTARY HAMMERS

- **Always start drilling at low speed and with the bit tip in contact with the workpiece.** At higher speeds, the bit is likely to bend if allowed to rotate freely without contacting the workpiece, resulting in personal injury.
- **Apply pressure only in direct line with the bit and do not apply excessive pressure.** Bits can bend, causing breakage or loss of control, resulting in personal injury.

## GENERAL

- Always check that the supply voltage is the same as the voltage indicated on the nameplate of the tool
- This tool should not be used by people under the age of 16 years
- **Do not work materials containing asbestos** (asbestos is considered carcinogenic)
- Never use the tool when the cord is damaged; it must be replaced by a specially prepared cord available through

the service organization.

- Always disconnect plug from power source before making any adjustment or changing any accessory


## ACCESSORIES

- SKIL can assure flawless functioning of the tool only when original accessories are used
- Use only accessories with an allowable speed matching at least the highest no-load speed of the tool

## BEFORE USE

- Use completely unrolled and safe extension cords with a capacity of 16 Amps (U.K. 13 Amps)
- Avoid damage that can be caused by screws, nails and other elements in your workpiece; remove them before you start working
- **Secure the workpiece** (a workpiece clamped with clamping devices or in a vice is held more securely than by hand)
- **Use suitable detectors to find hidden utility lines or call the local utility company for assistance** (contact with electric lines can lead to fire or electrical shock; damaging a gas line can result in an explosion; penetrating a water pipe will cause property damage or an electrical shock)
- Dust from material such as paint containing lead, some wood species, minerals and metal may be harmful (contact with or inhalation of the dust may cause allergic reactions and/or respiratory diseases to the operator or bystanders); **wear a dust mask and work with a dust extraction device when connectable**
- Certain kinds of dust are classified as carcinogenic (such as oak and beech dust) especially in conjunction with additives for wood conditioning; **wear a dust mask and work with a dust extraction device when connectable**
- Follow the dust-related national requirements for the materials you want to work with

## DURING USE

- Always keep the cord away from moving parts of the tool
- In case of electrical or mechanical malfunction, immediately switch off the tool and disconnect the plug
- If the cord is damaged or cut through while working, do not touch the cord, but immediately disconnect the plug
- If the drill bit becomes unexpectedly jammed (causing a sudden, dangerous reaction), immediately switch off the tool
- Be aware of the forces that occur as a result of jamming (especially when drilling metals); **always use auxiliary handle H**  and take a secure stance

## AFTER USE

- When you put away the tool, switch off the motor and ensure that all moving parts have come to a complete standstill

## EXPLANATION OF SYMBOLS ON TOOL

- ② Read the instruction manual before use
- ③ Double insulation (no earth wire required)
- ④ Do not dispose of the tool together with household waste material

## WHEN CONNECTING NEW 3-PIN PLUG (U.K. ONLY):

- Do not connect the blue (= neutral) or brown (= live) wire in the cord of this tool to the earth terminal of the plug
- If for any reason the old plug is cut off the cord of this tool, it must be disposed of safely and not left unattended

## USE

- On/off 

- Switch locking for continuous use ⑦
- Speed control for smooth starting ⑧
- Maximum speed control ⑨
  - with wheel B ⑤ the maximum speed can be adjusted steplessly from minimum to maximum
- Changing direction of rotation ⑩
  - when not properly set in left/right position, switch A cannot be activated

**! change direction of rotation only when tool is at a complete standstill**
- Selecting operating mode ⑪
  - press button F to unlock switch E
  - turn switch E to the desired operating mode until it snap-locks

**! start working only when switch E is locked**

1 = normal drilling/screwdriving  
 2 = impact drilling  
 3 = chiseling with rotating chisel  
 4 = chiseling with fixed chisel

**! select operating mode only when tool is switched off and plug is disconnected**

  - the hammer mechanism is activated by applying a slight pressure on the tool when the drill bit is in contact with the workpiece
  - best hammer drilling results can be obtained by only a slight pressure on the tool; drilling performance will not improve by applying more pressure on the tool
- Chiseling with rotating chisel ⑫
  - ! switch off the tool and disconnect the plug**
  - select "rotating" chiseling mode
- Chiseling with fixed chisel ⑬
  - ! switch off the tool and disconnect the plug**
  - select "rotating" chiseling mode
  - place chisel in desired position
  - select "fixed" chiseling mode
- Changing bits ⑭
  - ! clean and lightly lubricate the SDS+ accessory before insertion**
  - pull back locking sleeve G and insert accessory in SDS+ chuck while turning and pushing it until it engages; the accessory locks in position automatically
  - pull accessory to check that it is locked correctly
  - remove accessory by pulling back locking sleeve G

**! the SDS+ accessory requires freedom of movement which causes eccentricity when tool is off-load; however, the accessory automatically centres itself during operation without affecting drilling precision**

**! do not use bits/chisels with a damaged shank**
- For drilling in wood, metal and plastic as well as for screwdriving use adapter L ⑮
  - clean and lightly lubricate adapter before insertion
  - pull back locking sleeve G and insert adapter in SDS+ chuck while turning and pushing it until it engages; the adapter locks in position automatically
  - pull adapter to check whether it is locked correctly
  - set switch E ⑤ to normal drilling (**only activate when tool is switched off and plug is disconnected**)
- Safety clutch
  - ! if the accessory gets jammed, the drive to the spindle is interrupted (causing a rattling noise)**
  - immediately switch off tool
  - remove the jammed accessory

- switch on tool again
- Adjusting drilling depth ⑯
- Holding and guiding the tool ⑰
  - ! while working, always hold the tool at the grey-coloured grip area(s)**
  - **always use auxiliary handle H** (can be adjusted as illustrated)
  - keep the ventilation slots uncovered
  - do not apply too much pressure on the tool; let the tool do the work for you

## APPLICATION ADVICE

- Use the appropriate bits ⑰
- ! only use sharp bits/chisels**
- When drilling ferrous metals
  - pre-drill a smaller hole, when a large hole is required
  - lubricate drill bit occasionally with oil
- When turning in a screw at/near the cross cut end or an edge of wood, pre-drill a hole in order to avoid cracking of the wood
- Splinterfree drilling in wood ⑱
- Dustfree drilling in walls ⑲
- Dustfree drilling in ceilings ⑲
- Drilling in tiles without skidding ⑲
- For more information see [www.skil.com](http://www.skil.com)

## MAINTENANCE / SERVICE

- This tool is not intended for professional use
- Always keep tool and cord clean (especially ventilation slots J ⑤)
- ! disconnect the plug before cleaning**
- If the tool should fail despite the care taken in manufacturing and testing procedures, repair should be carried out by an after-sales service centre for SKIL power tools
  - send the tool **undismantled** together with proof of purchase to your dealer or the nearest SKIL service station (addresses as well as the service diagram of the tool are listed on [www.skil.com](http://www.skil.com))
- Be aware that damage due to overload or improper handling of the tool will be excluded from the warranty (for the SKIL warranty conditions see [www.skil.com](http://www.skil.com) or ask your dealer)

## ENVIRONMENT

Only for EU countries

- Do not dispose of electric tools, accessories and packaging together with household waste material
  - in observance of European Directive 2012/19/EC on waste of electric and electronic equipment and its implementation in accordance with national law, electric tools that have reached the end of their life must be collected separately and returned to an environmentally compatible recycling facility
  - symbol ④ will remind you of this when the need for disposing occurs

Only for UK

- Do not dispose of electric tools, accessories and packaging together with household waste material
  - in observance of on Waste Electric and Electronic Equipment Regulations 2013 (SI 2013/3113), electric tools that have reached the end of their life must be collected separately and returned to an environmentally

compatible recycling facility

- symbol ④ will remind you of this when the need for disposing occurs

## NOISE / VIBRATION

- Measured in accordance with EN 62841 the sound pressure level of this tool is 92.0 dB(A) and the sound power level 103.0 dB(A) (uncertainty K = 3 dB), and the vibration \* (triax vector sum; uncertainty K = 1.5 m/s<sup>2</sup>)
    - \* when hammer drilling in concrete 11.5 m/s<sup>2</sup>
    - \* when chiseling 13.6 m/s<sup>2</sup>
  - The vibration emission level has been measured in accordance with a standardised test given in EN 62841; it may be used to compare one tool with another and as a preliminary assessment of exposure to vibration when using the tool for the applications mentioned
    - using the tool for different applications, or with different or poorly maintained accessories, may significantly **increase** the exposure level
    - the times when the tool is switched off or when it is running but not actually doing the job, may significantly **reduce** the exposure level
- ! protect yourself against the effects of vibration by maintaining the tool and its accessories, keeping your hands warm, and organizing your work patterns**

