

trend[®]
tool technology



DG/JIG/A



Fig. 1

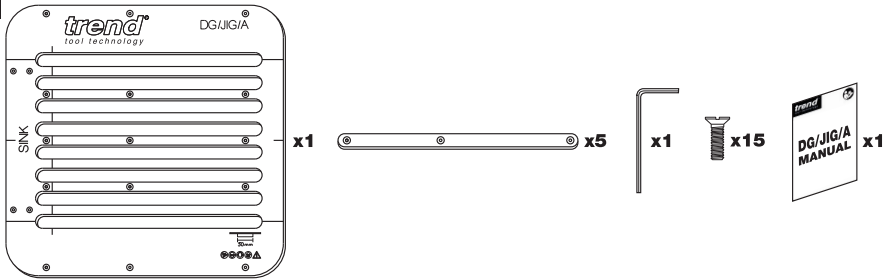


Fig. 2

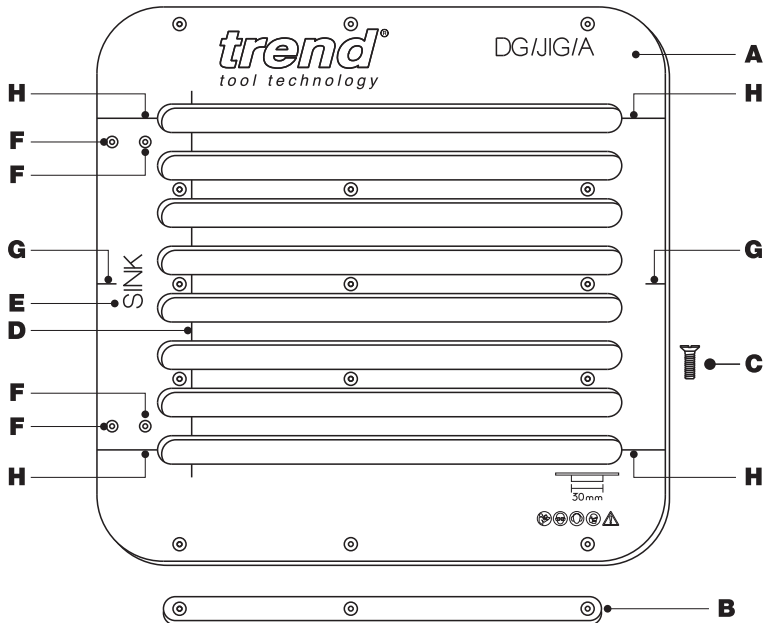


Fig. 3

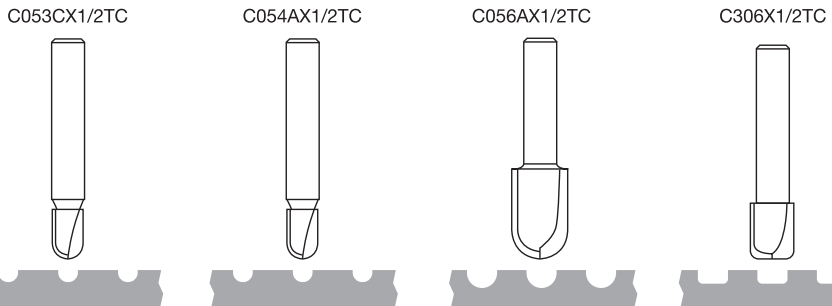


Fig. 4a

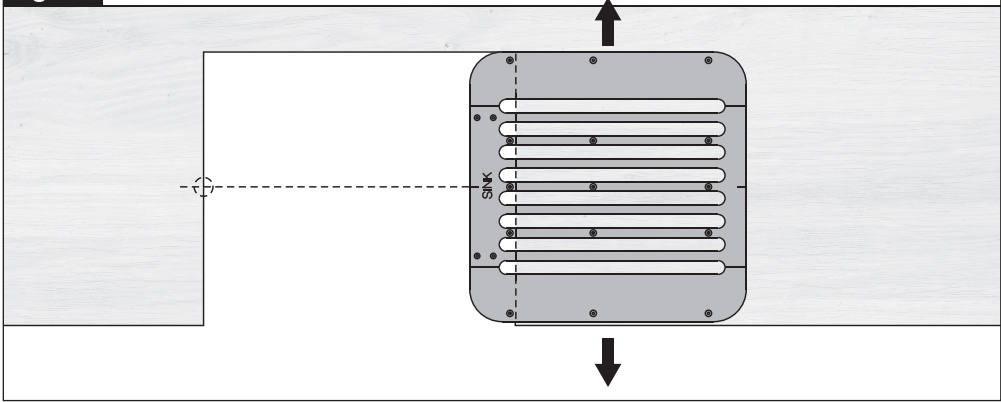


Fig. 4b

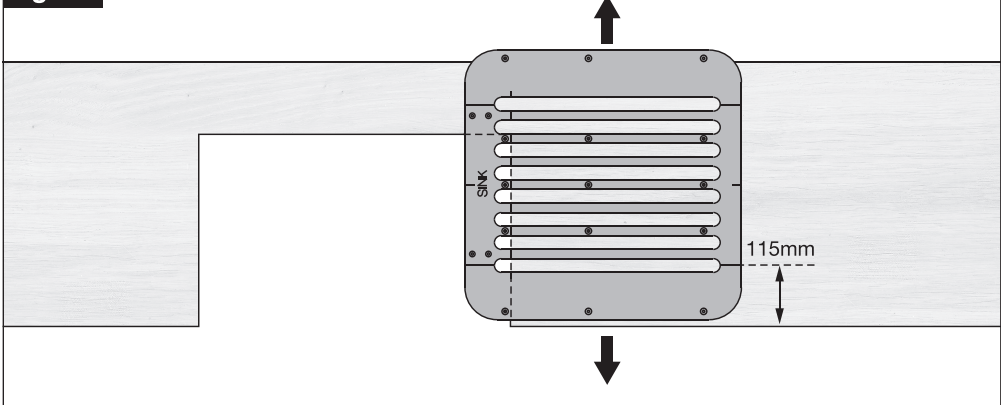


Fig. 5

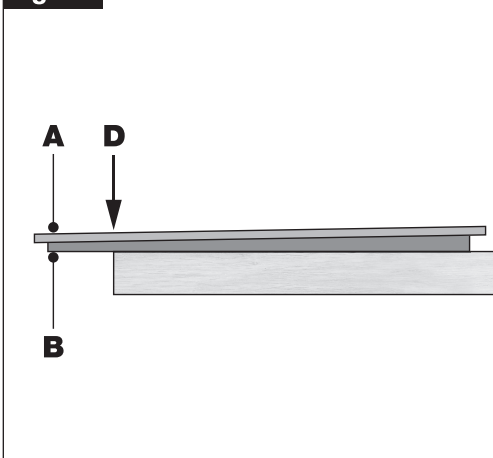


Fig. 6

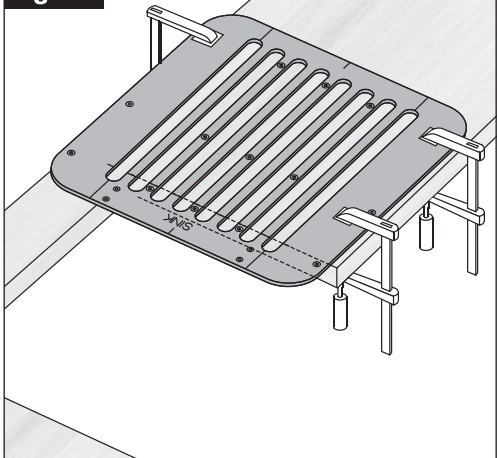


Fig. 7a

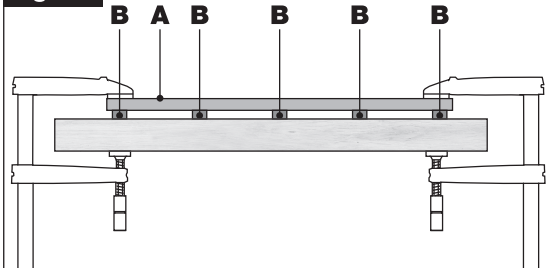


Fig. 7b

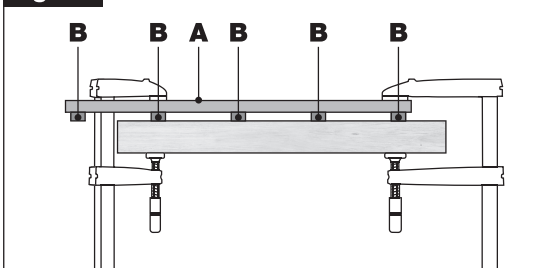


Fig. 8

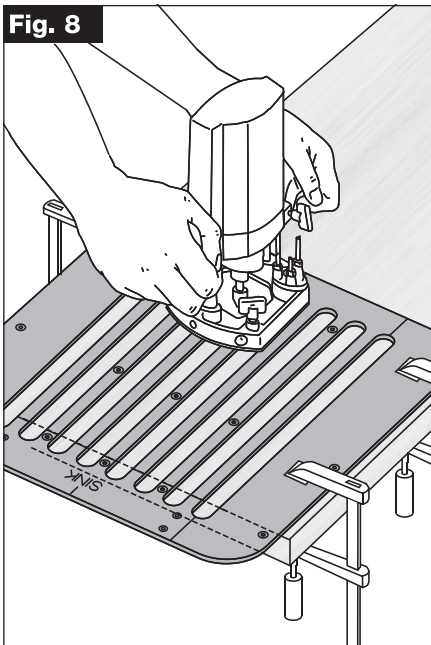


Fig. 9a

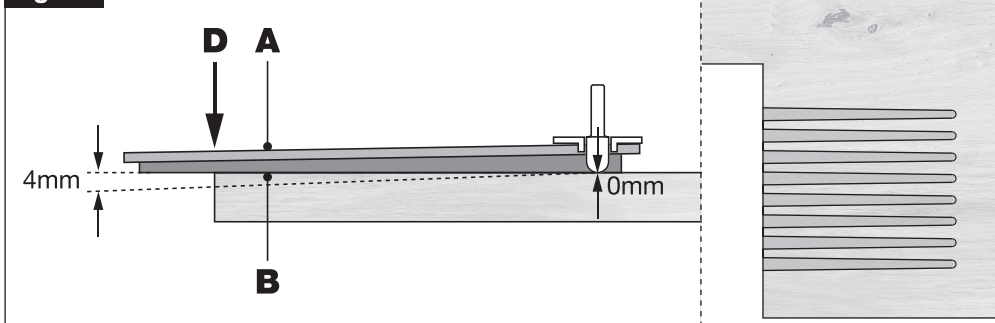


Fig. 9b

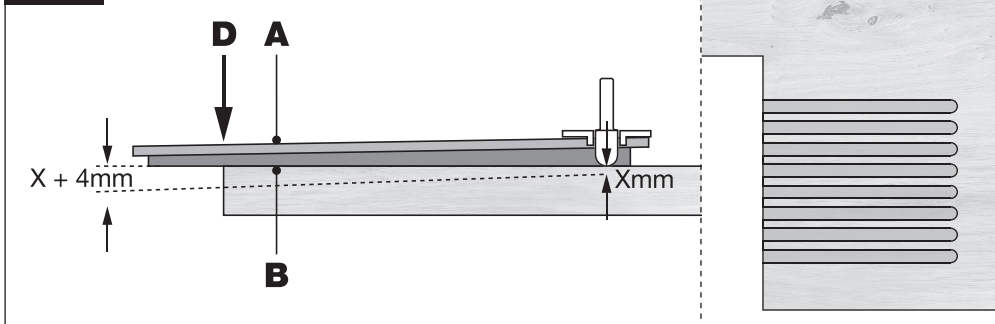


Fig. 10

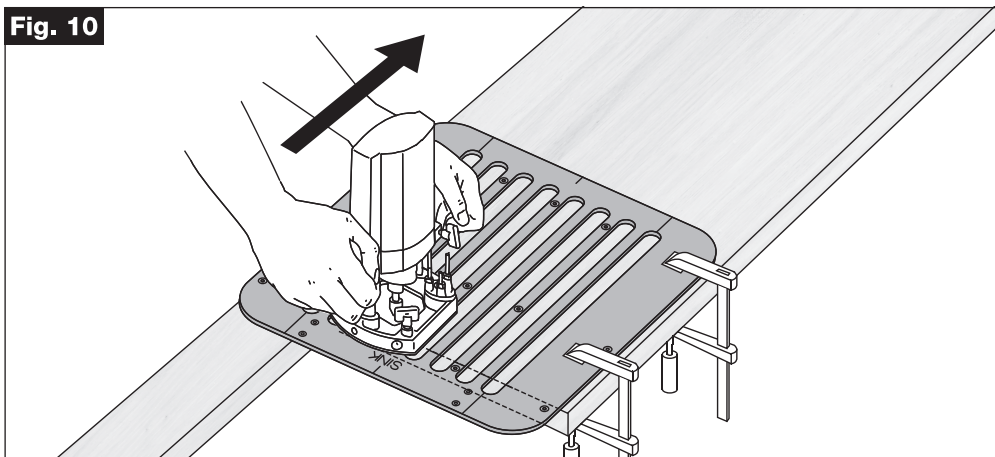


Fig. 11

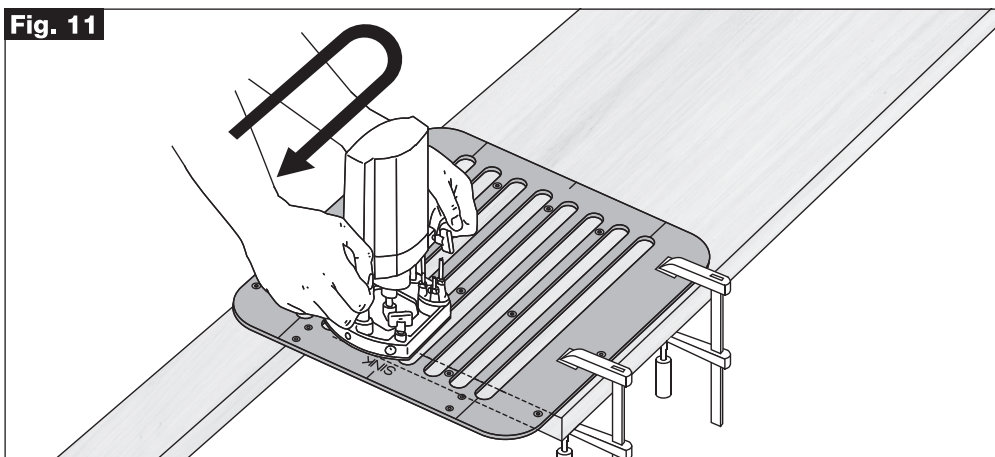


Fig. 12

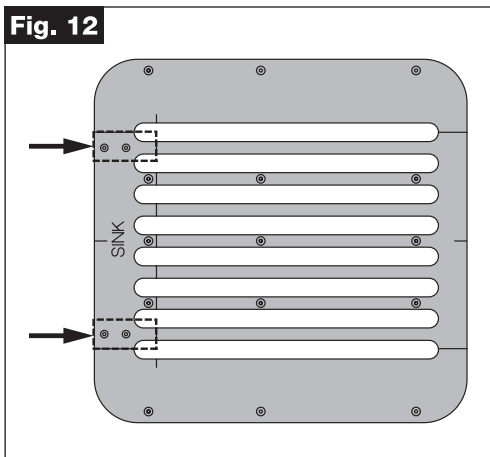
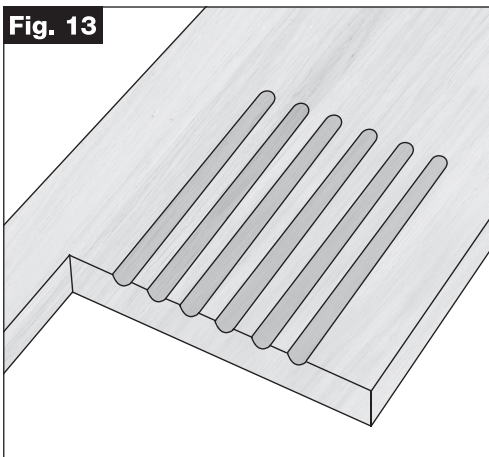


Fig. 13



Thank you for purchasing this Trend product, we hope you enjoy many years of creative and productive use.

TECHNICAL DATA

	DG/JIG/A
Slot length (approx.)	450mm
Slot pitch	50mm
Gradient	0,5°
Guide bush size	30mm

The following symbols are used throughout this manual:



Refer to the instruction manual of your power tool.



Denotes risk of personal injury, loss of life or damage to the tool in case of non-observance of the instructions in this manual.

This unit must not be put into service until it has been established that the power tool to be connected to this unit is in compliance with 2006/42/EC (identified by the marking on the power tool).

INTENDED USE

This jig is intended for use with a plunge router with suitable guide bush and router cutter fitted to rout drainer grooves in solid timber, polymer resin and compact laminate worktops.

SAFETY

Please read and understand the safety points in these instructions as well as you power tool instructions.

PLEASE KEEP THESE INSTRUCTIONS IN A SAFE PLACE.

Safety Points

1. Disconnect power tool attachment from power supply when not in use, before servicing, when making adjustments and when changing accessories such as cutters. Ensure switch is in "off" position and cutter has stopped rotating.
2. Read and understand instructions supplied with power tool, attachment and cutter.
3. Current Personal Protective Equipment (PPE) for eye, ear and respiratory protection must be worn. Keep hands, hair and clothes clear of the cutter.
4. Before each use check cutter is sharp and free from damage. Do not use if cutter is dull, broken or cracked or if any damage is noticeable or suspected. Only use tools for woodworking to EN847 safety standard with this product. Ensure cutting tool is suitable for application.
5. The maximum speed (max) marked on tool or in the instructions or on packaging shall not be exceeded. Where stated, the speed range should be adhered to.
6. Insert the shank into the router collet at least all the way to the marked line indicated on the shank. Ensure clamping surfaces are clean.
7. Check all fixing and fastening nuts, bolts and screws on power tool, attachment and cutting tools are correctly assembled, tight and to correct torque setting before use.
8. Ensure all visors, guards and dust extraction is fitted.
9. The direction of routing must always be opposite to the cutter's direction of rotation.
10. Do not switch power tool on with the cutter touching the workpiece.
11. Trial cuts should be made in waste material before starting any project.
12. Repair of tools is only allowed according to tool manufacturers instructions.
13. Do not take deep cuts in one pass, take shallow passes to reduce the side load applied to the cutter.
14. User must be competent in using woodworking equipment before using our products. Dress properly, no loose clothing/jewellery, wear protective hair covering for long hair.
15. Consider working environment before using tools. Ensure working position is comfortable and component is clamped securely. Keep proper footing and balance at all times. Check work area for obstructions. Keep control of power tool at all times.
16. Please keep children and visitors away from tools and work area.
17. All tools have a residual risk so must therefore be handled with caution.
18. Only use Trend original spare parts and accessories.
19. If you require further safety advice, technical information, or spare parts, please call Trend Technical Support or visit **www.trend-uk.com**

WARNINGS



Whenever clamps are used, ensure they do not foul the router path and that they are securely tightened.



Ensure worktop is held securely to trestles. Ensure jig is clamped securely to worktop and placed at a comfortable height.



Release plunge on router at end of each cut.



Ensure working position is comfortable. Keep proper footing at all times.

ITEMS ENCLOSED - (Fig. 1)

- 1 x Drainer Groove Jig
- 1 x Manual
- 1 x Hex Key
- 15 x Countersunk Screws
- 5 x 0,5" Rail Supports

DESCRIPTION OF PARTS - (Fig. 2)

- A.** Jig body
- B.** Tapered rail
- C.** Fixing screw
- D.** Sight mark
- E.** Sink indicator (shows direction of slope to sink)
- F.** Fixing holes for user made stop facility
- G.** Jig Centreline
- H.** Groove Centrelines

ITEMS REQUIRED

- 1/2" plunge router.
- Trestles x 2.
- Clamps x 3.
- Compatible 1/2" shank router cutter – see list for details
- 30mm Guide Bush

OPERATION



Positioning Jig on Worktop

- The jig can be positioned in two ways:
 - (1)** The jig centre line can be aligned to the centre of the sink aperture (**Fig. 4a**).
 - (2)** The centre line of the first/last slot can be used when referencing from the edge of the worktop (**Fig. 4b**). If using this option, the first rail must be ≥ 115 mm as shown, to ensure the support rail is inboard of the worktop edge.

- Position the jig using either option 1 or 2 above, and align the "SINK" scribe line to the sink aperture (**Fig. 5**).
- Clamp jig to the worktop using three clamps (**Fig. 6**), ensuring the clamps will not foul the router base.
- Clamps must be inboard of the rails at all times (**Fig. 7a**). **Do not clamp the very edges of the jig.** If the jig/ supporting rails overhang the worktop, clamp inboard of alternative rails.
- The clamps may need to be repositioned for grooves towards front and back of the jig (**Fig. 7b**).



Ensure clamps are inboard of the rails.



Ensure worktop is of a suitable size to support jig.

Setting the Depth of Cut

- Take the router with guide bush and cutter fitted, place into any template slot, and position the router to the shallow end of the jig ensuring that the worktop can be seen below the cutter (**Fig. 8**).
- The depth of cut can be set in two different ways:
 - (1)** For a 'faded' appearance to the drainer grooves (**Fig. 9a**), plunge the router until the cutter meets the worktop. Set the router depth stop to 0mm. With a full-length 450mm groove, the maximum worktop groove depth will be approx. 4mm.
 - (2)** For a 'stepped' appearance to the drainer grooves (**Fig. 9b**) repeat as above for **(1)**, but set router depth stop to the desired step depth. With a full-length groove, the maximum groove depth will be finish approx. +4mm deeper than the starting groove depth.
- NOTE:** rounded/cove cutters will create a 'tapered' groove if the depth of cut at the shallow end of the jig is less than the radius of the cutter.
- For a parallel groove, ensure that the cut depth is greater than or equal to the radius of the cutter used.

Routing the Groove

- Release plunge and reposition router in first slot at sink end.
- Hold router against the far edge of the template slot (towards top of jig).
- Switch on router and plunge to height setting. Rout groove feeding up the slope away from the sink end using a slow feed. The slot in the jig will limit the length of the groove. The groove depth in the worktop will get shallower (**Fig. 10**).
- At the end of the cut move router against the near edge of the slot and rout back down the slot towards the sink. The slots are 0.2mm oversize to allow for return pass. Ensure the router cutter passes out of the wood at the sink end (**Fig. 11**).

- Release plunge and switch off router.
- Repeat this operation for each slot in the jig as required.
- Before removing the jig, check all slots are routed to the correct length and correct depth. If any of the grooves are not correct, adjust the depth of cut accordingly and recut.



Depending on the groove arrangement some template slots may not be used.

User Made Stop



For repetitive work, two user made stops can be made and fitted to the front edge of the slots (**Fig. 12**). The jig has two fixing holes to accept No.8 countersink screws for each stop. The stops should be made from 18mm thick MDF, size 25mm wide x 100mm long. Line up edge of the stops to the sight line and secure with countersink screws.



Ensure user made stops are secured tightly with countersunk screws and that screws do not protrude above the jig surface.

Finishing the Draining Groove



- When routing is complete, remove any rough edges with fine grade abrasive paper.
- Finish and seal the worktop with appropriate sealer, following worktop manufacturers instructions.

MAINTENANCE



Please use only Trend original spare parts and accessories.

The jig has been designed to operate over a long period of time with a minimum of maintenance. Continual satisfactory operation depends upon proper tool care and regular cleaning.

Cleaning

- Regularly clean the jig with a soft cloth.

Lubrication

- Your jig requires no additional lubrication.

Storage

- We recommend CASE/DG for the safe storage and transportation of your Drainer Groove Jig.

ENVIRONMENTAL PROTECTION



Recycle raw materials instead of disposing as waste. Packaging should be sorted for environmental-friendly recycling.

The product and its accessories at the end of their life should be sorted for environmental friendly recycling.

WARRANTY

This unit carries a manufacturer's warranty in accordance with the conditions on our website www.trend-uk.com

TROUBLESHOOTING		
Fault	Cause	Remedy
Groove depth tapers to a point at shallow end.	(1) Cutter depth set too shallow. (2) Jig has lifted when clamped.	(1) Cut depth must be \geq the radius of the router cutter. (2) Reposition clamps as shown in diagrams. Ensure clamps are inboard of tapered rails.
Groove depth varies between slots.	Jig has lifted when clamped.	Reposition clamps as shown in diagrams. Ensure clamps are inboard of tapered rails.
The taper slot at shallow end has a slight gouge at the end of the cut.	Return pass in slot not carried out. Slot is 0.2mm oversize to allow for return pass.	Rout along inside edge of slot on return pass.
Groove is deeper away from sink.	Jig fitted wrong way round.	Replace worktop and rotate jig 180°.
Jig lifts when clamped.	Jig clamped at the end of slots.	Reposition clamps as shown in diagrams. Ensure clamps are inboard of tapered rails.
Groove appearance too wide or too narrow.	(1) Wrong guide bush size used. (2) Wrong cutter used.	(1) Use a 30mm guide bush. (2) Use an alternative cutter.
Grooves not central or perpendicular to sink.	Jig not set correctly to sight line and edge of worktop.	Replace worktop and reposition jig, ensuring sight mark is aligned with worktop edge and jig/groove centrelines are used in accordance with the instructions above.
Groove in worktop is burnt.	(1) Cutter is blunt. (2) Router feed is too fast. (3) Cutter speed is too slow.	(1) Only use sharp cutters. (2) Reduce feed speed. (3) Increase cutter speed, in accordance with max. speed shown on cutter shank. (4) Do not pause during cutting - keep router moving at all times whilst cutting.
Jig is slipping/moving.	(1) Clamps are not secure. (2) Cut is too deep.	(1) Check clamps for wear. Do not use quick-release style clamps. Only use heavy duty, threaded clamps and tighten securely. (2) Complete cuts using shallower passes.



Trend Tool Technology Ltd.
Watford, WD24 7TR, England
Tel: 0044(0)1923 249911
technical@trendm.co.uk
www.trend-uk.com

EU Importer:
Trend Tool Technology Ltd.
3rd Floor, Kilmore House, Park Lane,
Spencer Dock, Dublin 1, Ireland

© Trend Tool Technology Ltd. 2023.
© All trademarks acknowledged E&OE

No part of this publication may be reproduced, stored or transmitted in any form without prior permission. Our policy of continuous improvement means that specifications may change without notice. Trend Tool Technology Ltd. cannot be held liable for any material rendered unusable, or for any for of consequential loss. E&OE.



MANU/DG/JIG/A v1.0