

## ARTWORK

Master Ref: **PHL546441**  
 TR Ref: **TR2680555**  
 Brand: PHILIPS  
 Brand execution: HUE White and Color Ambiance  
 Product name:  
 Article Number: N/A  
 Region: Trident UK  
 Template Ref: Template 8 - Europe 100x120mm - Philips Hue  
 Artwork 12NC: 442296114371  
 Die cut 12NC:  
 Barcode: N/A  
 CRC Number:  
 Action: **B**  
 Date: 30/11/2022

Project Manager: Margarita Papoutsis

Trident Artist: Glenn Pickersgill

Technical & Non Printing Items

■ DieLine 
 ■ Guides

Colours:

Process black	1
	3%

# PHILIPS

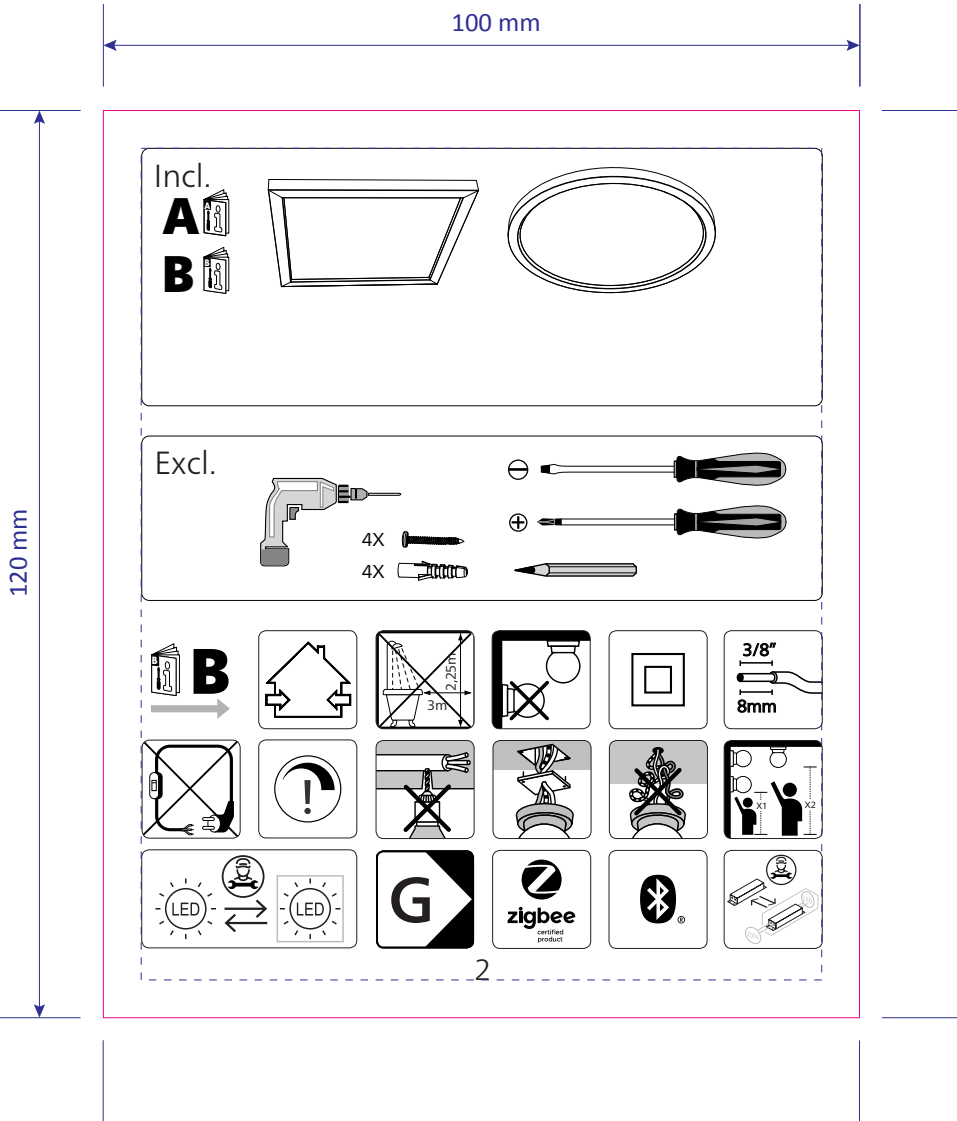


TRIDENT

Trident UK, Connaught House, Connaught Road,  
 Kingswood Business Park, Hull, HU7 3AP, England.  
 T: +44 (0) 01482 828100

Please note that any low resolution paper Canon colour copies associated with this job should be referred to for content, layout and colour separation only.

UNDER NO CIRCUMSTANCES SHOULD THIS  
 ARTWORK BE ALTERED WITHOUT PRIOR  
 PERMISSION FROM TRIDENT.





## ARTWORK

Master Ref: **PHL546441**  
 TR Ref: **TR2680555**  
 Brand: PHILIPS  
 Brand execution: HUE White and Color Ambiance  
 Product name:  
 Article Number: N/A  
 Region: Trident UK  
 Template Ref: Template 8 - Europe 100x120mm - Philips Hue  
 Artwork 12NC: 442296114371  
 Die cut 12NC:  
 Barcode: N/A  
 CRC Number:  
 Action: **B**  
 Date: 30/11/2022

Project Manager: Margarita Papoutsis

Trident Artist: Glenn Pickersgill

Technical & Non Printing Items

 DieLine  Guides

Colours:

Process black	1
	3%

# PHILIPS



Trident UK, Connaught House, Connaught Road,  
 Kingswood Business Park, Hull, HU7 3AP, England.  
 T: +44 (0) 01482 828100

Please note that any low resolution paper Canon colour copies associated with this job should be referred to for content, layout and colour separation only.

UNDER NO CIRCUMSTANCES SHOULD THIS ARTWORK BE ALTERED WITHOUT PRIOR PERMISSION FROM TRIDENT.

# ARTWORK

Master Ref: **PHL546441**  
TR Ref: **TR2680555**  
Brand: PHILIPS  
Brand execution: HUE White and Color Ambiance  
Product name:  
Article Number: N/A  
Region: Trident UK  
Template Ref: Template 8 - Europe 100x120mm - Philips Hue  
Artwork Ref: 442296114371  
Die cut 12NC:  
Barcode: N/A  
CRC Number:  
Action: **B**  
Date: 30/11/2022

Project Manager: Margarita Papoutsis

Trident Artist: Glenn Pickersgill

Technical & Non Printing Items

■ DieLine ■ Guides

Colours:

Process black	1
	3%

# PHILIPS



TRIDENT

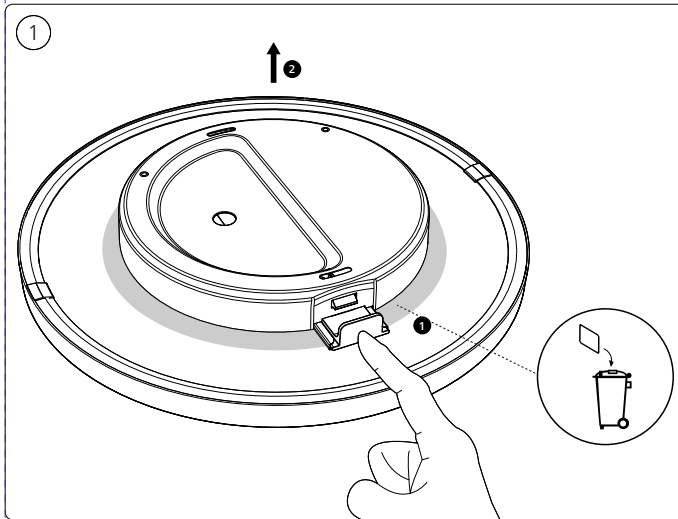
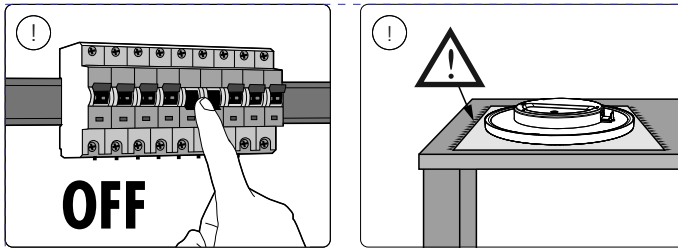
Trident UK, Connaught House, Connaught Road,  
Kingswood Business Park, Hull, HU7 3AP, England.  
T: +44 (0) 01482 828100

Please note that any low resolution paper Canon colour  
copies associated with this job should be referred to for  
content, layout and colour separation only.

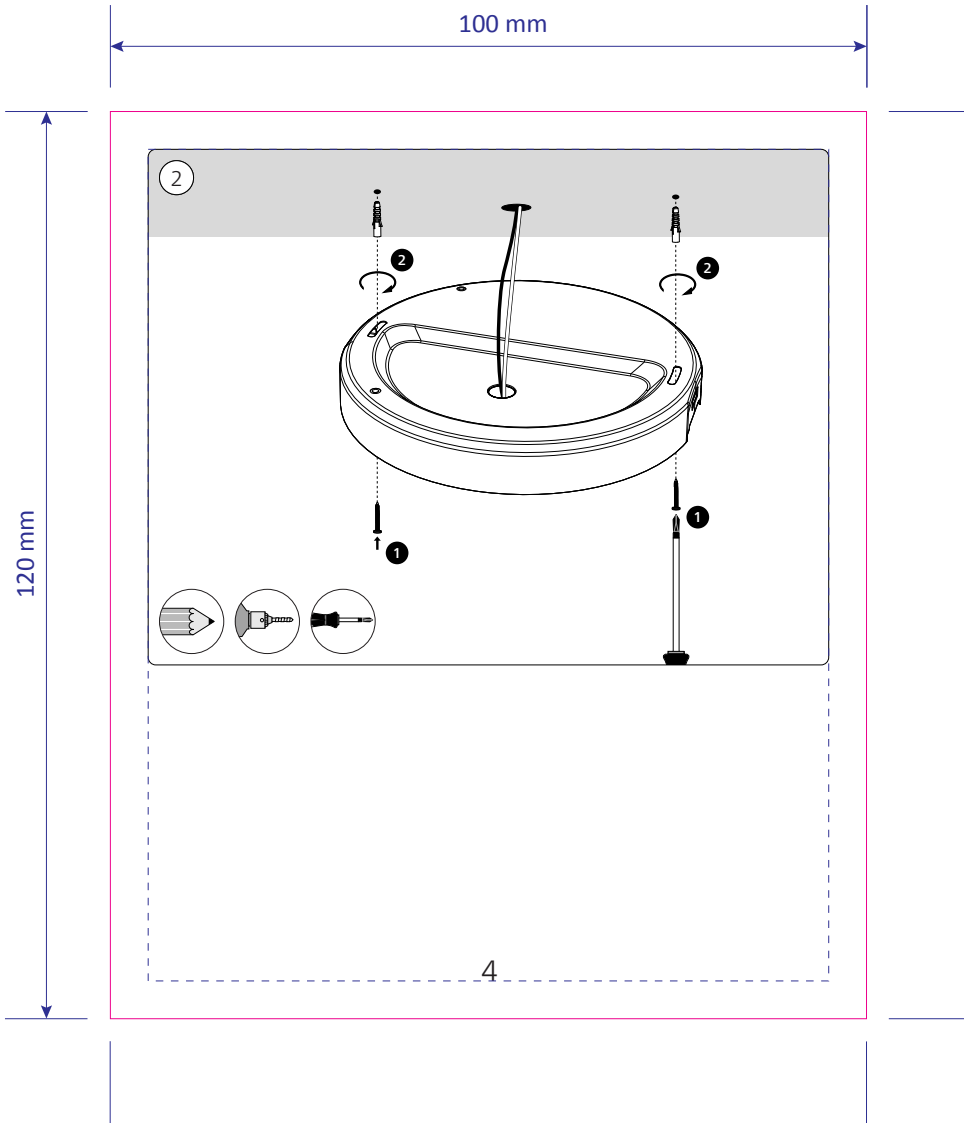
UNDER NO CIRCUMSTANCES SHOULD THIS  
ARTWORK BE ALTERED WITHOUT PRIOR  
PERMISSION FROM TRIDENT.

100 mm

120 mm



3



**ARTWORK**

Master Ref: **PHL546441**  
 TR Ref: **TR2680555**  
 Brand: PHILIPS  
 Brand execution: HUE White and Color Ambiance  
 Product name:  
 Article Number: N/A  
 Region: Trident UK  
 Template Ref: Template 8 - Europe 100x120mm - Philips Hue  
 Artwork 12NC: 442296114371  
 Die cut 12NC:  
 Barcode: N/A  
 CRC Number:  
 Action: **B**  
 Date: 30/11/2022

Project Manager: Margarita Papoutsis

Trident Artist: Glenn Pickersgill

Technical & Non Printing Items  
■ DieLine ■ Guides

Colours:

Process black	1
	3%

**PHILIPS**

**TRIDENT**  
 Trident UK, Connaught House, Connaught Road,  
 Kingswood Business Park, Hull, HU7 3AP, England.  
 T: +44 (0) 01482 828100

Please note that any low resolution paper Canon colour copies associated with this job should be referred to for content, layout and colour separation only.

UNDER NO CIRCUMSTANCES SHOULD THIS ARTWORK BE ALTERED WITHOUT PRIOR PERMISSION FROM TRIDENT.

# ARTWORK

Master Ref: **PHL546441**  
TR Ref: **TR2680555**  
Brand: PHILIPS  
Brand execution: HUE White and Color Ambiance  
Product name:  
Article Number: N/A  
Region: Trident UK  
Template Ref: Template 8 - Europe 100x120mm - Philips Hue  
Artwork 12NC: 442296114371  
Die cut 12NC:  
Barcode: N/A  
CRC Number:  
Action: **B**  
Date: 30/11/2022

Project Manager: Margarita Papoutsis

Trident Artist: Glenn Pickersgill

Technical & Non Printing Items

■ DieLine ■ Guides

Colours:

Process black	1
	3%

# PHILIPS



TRIDENT

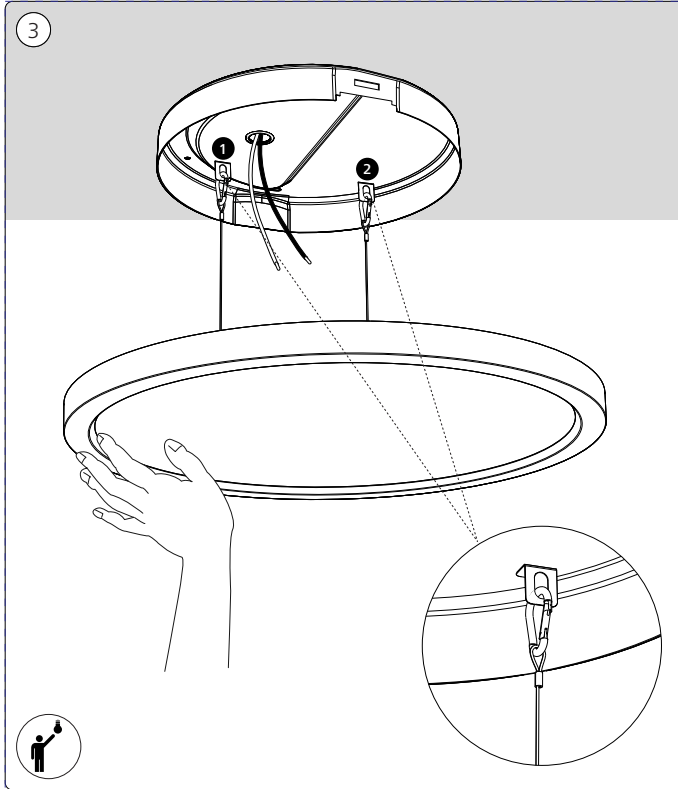
Trident UK, Connaught House, Connaught Road,  
Kingswood Business Park, Hull, HU7 3AP, England.  
T: +44 (0) 01482 828100

Please note that any low resolution paper Canon colour  
copies associated with this job should be referred to for  
content, layout and colour separation only.

UNDER NO CIRCUMSTANCES SHOULD THIS  
ARTWORK BE ALTERED WITHOUT PRIOR  
PERMISSION FROM TRIDENT.

100 mm

120 mm



5

# ARTWORK

Master Ref: **PHL546441**  
TR Ref: **TR2680555**  
Brand: PHILIPS  
Brand execution: HUE White and Color Ambiance  
Product name:  
Article Number: N/A  
Region: Trident UK  
Template Ref: Template 8 - Europe 100x120mm - Philips Hue  
Artwork Ref: 442296114371  
Die cut 12NC:  
Barcode: N/A  
CRC Number:  
Action: **B**  
Date: 30/11/2022

Project Manager: Margarita Papoutsis

Trident Artist: Glenn Pickersgill

Technical & Non Printing Items

■ DieLine ■ Guides

Colours:

Process black	1
	3%

# PHILIPS



TRIDENT

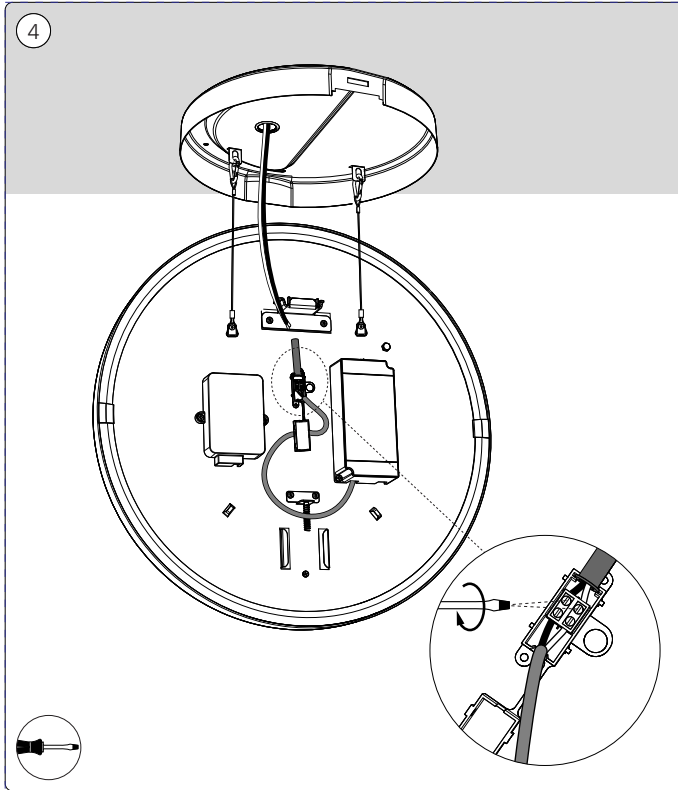
Trident UK, Connaught House, Connaught Road,  
Kingswood Business Park, Hull, HU7 3AP, England.  
T: +44 (0) 01482 828100

Please note that any low resolution paper Canon colour  
copies associated with this job should be referred to for  
content, layout and colour separation only.

UNDER NO CIRCUMSTANCES SHOULD THIS  
ARTWORK BE ALTERED WITHOUT PRIOR  
PERMISSION FROM TRIDENT.

100 mm

120 mm



4

6

# ARTWORK

Master Ref: **PHL546441**  
TR Ref: **TR2680555**  
Brand: PHILIPS  
Brand execution: HUE White and Color Ambiance  
Product name:  
Article Number: N/A  
Region: Trident UK  
Template Ref: Template 8 - Europe 100x120mm - Philips Hue  
Artwork Ref: 442296114371  
Die cut 12NC:  
Barcode: N/A  
CRC Number:  
Action: **B**  
Date: 30/11/2022

Project Manager: Margarita Papoutsis

Trident Artist: Glenn Pickersgill

Technical & Non Printing Items

■ Die Line ■ Guides

Colours:

Process black	1
	3%

# PHILIPS



TRIDENT

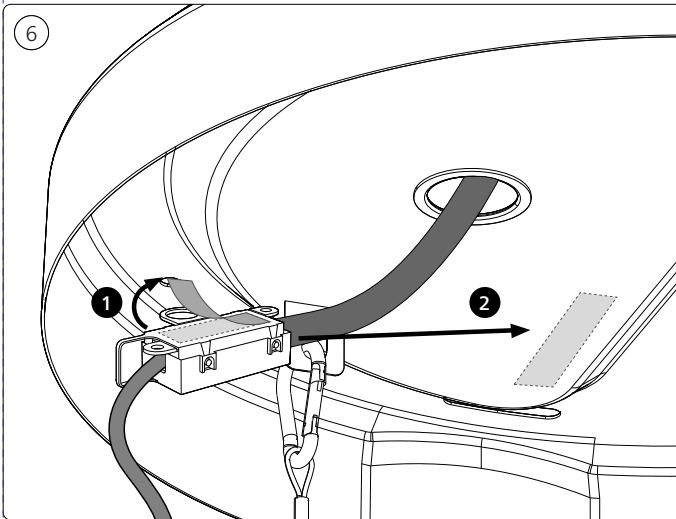
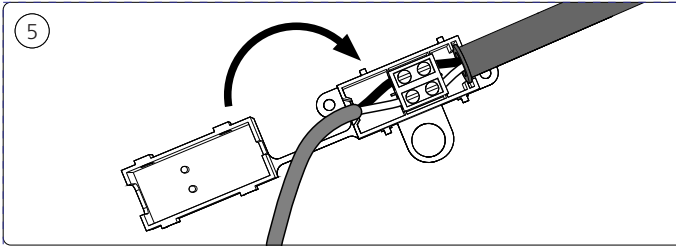
Trident UK, Connaught House, Connaught Road,  
Kingswood Business Park, Hull, HU7 3AP, England.  
T: +44 (0) 01482 828100

Please note that any low resolution paper Canon colour  
copies associated with this job should be referred to for  
content, layout and colour separation only.

UNDER NO CIRCUMSTANCES SHOULD THIS  
ARTWORK BE ALTERED WITHOUT PRIOR  
PERMISSION FROM TRIDENT.

100 mm

120 mm



7

# ARTWORK

Master Ref: **PHL546441**  
TR Ref: **TR2680555**  
Brand: PHILIPS  
Brand execution: HUE White and Color Ambiance  
Product name:  
Article Number: N/A  
Region: Trident UK  
Template Ref: Template 8 - Europe 100x120mm - Philips Hue  
Artwork 12NC: 442296114371  
Die cut 12NC:  
Barcode: N/A  
CRC Number:  
Action: **B**  
Date: 30/11/2022

Project Manager: Margarita Papoutsis

Trident Artist: Glenn Pickersgill

Technical & Non Printing Items

■ DieLine ■ Guides

Colours:

Process black	1
	3%

# PHILIPS



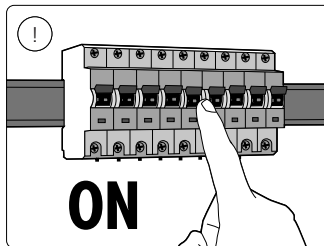
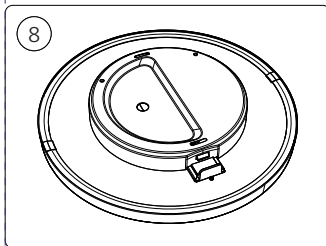
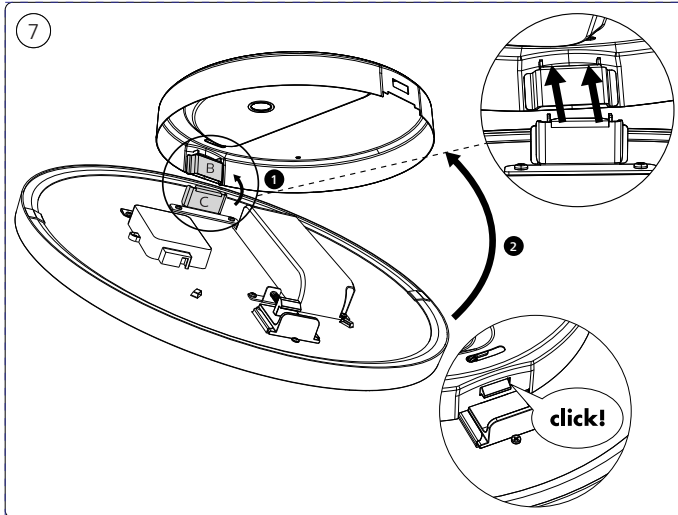
Trident UK, Connaught House, Connaught Road,  
Kingswood Business Park, Hull, HU7 3AP, England.  
T: +44 (0) 01482 828100

Please note that any low resolution paper Canon colour copies associated with this job should be referred to for content, layout and colour separation only.

UNDER NO CIRCUMSTANCES SHOULD THIS ARTWORK BE ALTERED WITHOUT PRIOR PERMISSION FROM TRIDENT.

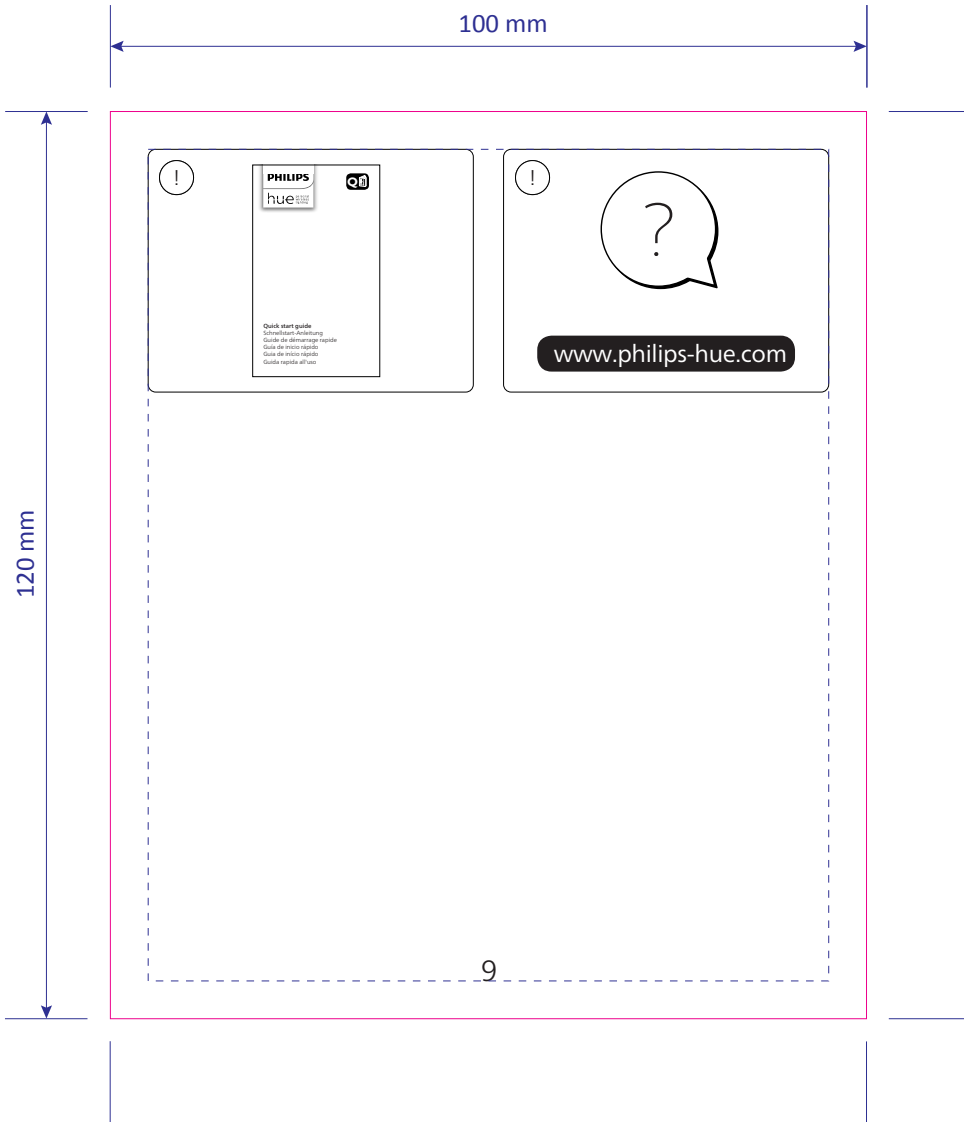
100 mm

120 mm



8





## ARTWORK

Master Ref: **PHL546441**  
 TR Ref: **TR2680555**  
 Brand: PHILIPS  
 Brand execution: HUE White and Color Ambiance  
 Product name:  
 Article Number: N/A  
 Region: Trident UK  
 Template Ref: Template 8 - Europe 100x120mm - Philips Hue  
 Artwork 12NC: 442296114371  
 Die cut 12NC:  
 Barcode: N/A  
 CRC Number:  
 Action: **B**  
 Date: 30/11/2022

Project Manager: Margarita Papoutsis

Trident Artist: Glenn Pickersgill

Technical & Non Printing Items

■ DieLine    ■ Guides

Colours:

Process black	1
	3%

# PHILIPS

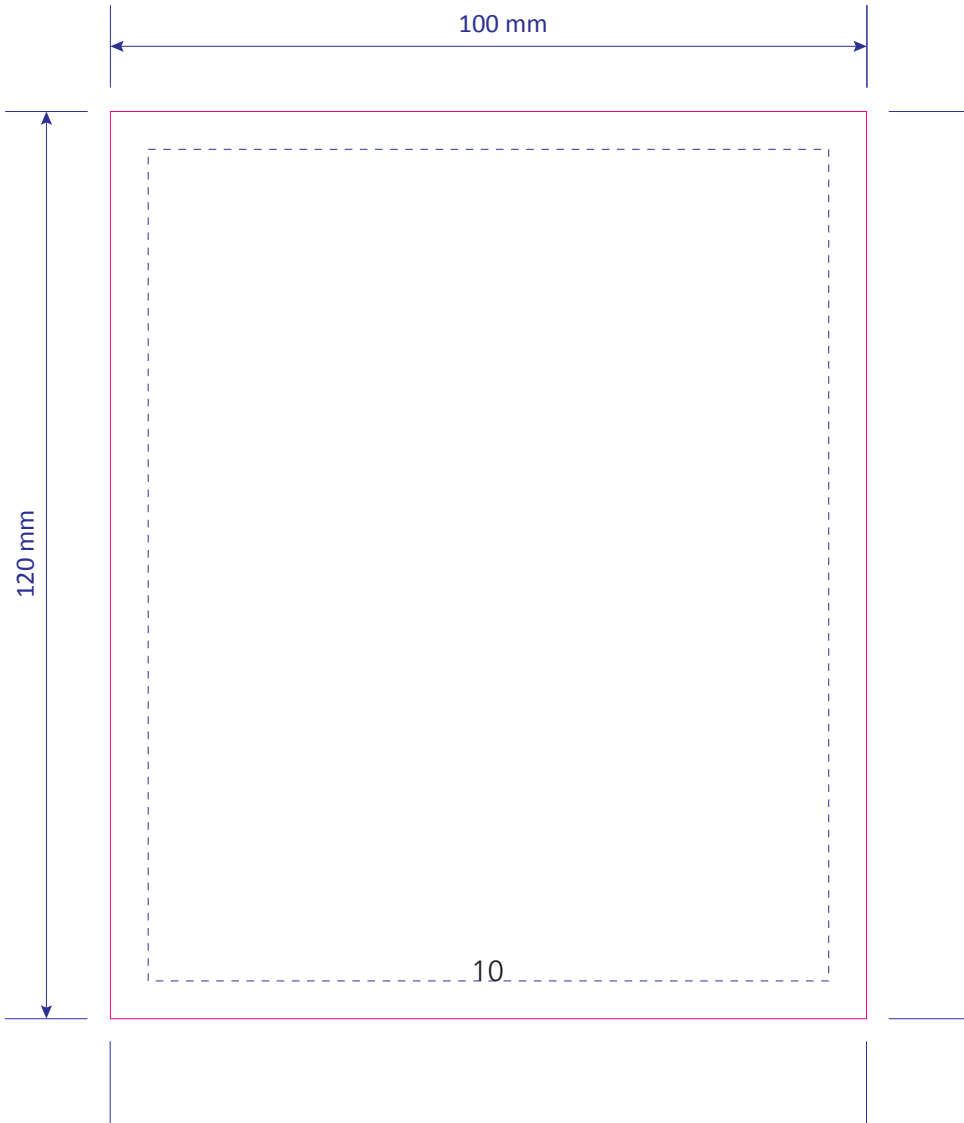


TRIDENT

Trident UK, Connaught House, Connaught Road,  
 Kingswood Business Park, Hull, HU7 3AP, England.  
 T: +44 (0) 01482 828100

Please note that any low resolution paper Canon colour copies associated with this job should be referred to for content, layout and colour separation only.

UNDER NO CIRCUMSTANCES SHOULD THIS  
 ARTWORK BE ALTERED WITHOUT PRIOR  
 PERMISSION FROM TRIDENT.



**ARTWORK**

Master Ref: **PHL546441**  
 TR Ref: **TR2680555**  
 Brand: PHILIPS  
 Brand execution: HUE White and Color Ambiance  
 Product name:  
 Article Number: N/A  
 Region: Trident UK  
 Template Ref: Template 8 - Europe 100x120mm - Philips Hue  
 Artwork 12NC: 442296114371  
 Die cut 12NC:  
 Barcode: N/A  
 CRC Number:  
 Action: **B**  
 Date: 30/11/2022

Project Manager: Margarita Papoutsis

Trident Artist: Glenn Pickersgill

Technical & Non Printing Items  
■ DieLine ■ Guides

Colours:

Process black	1
	3%

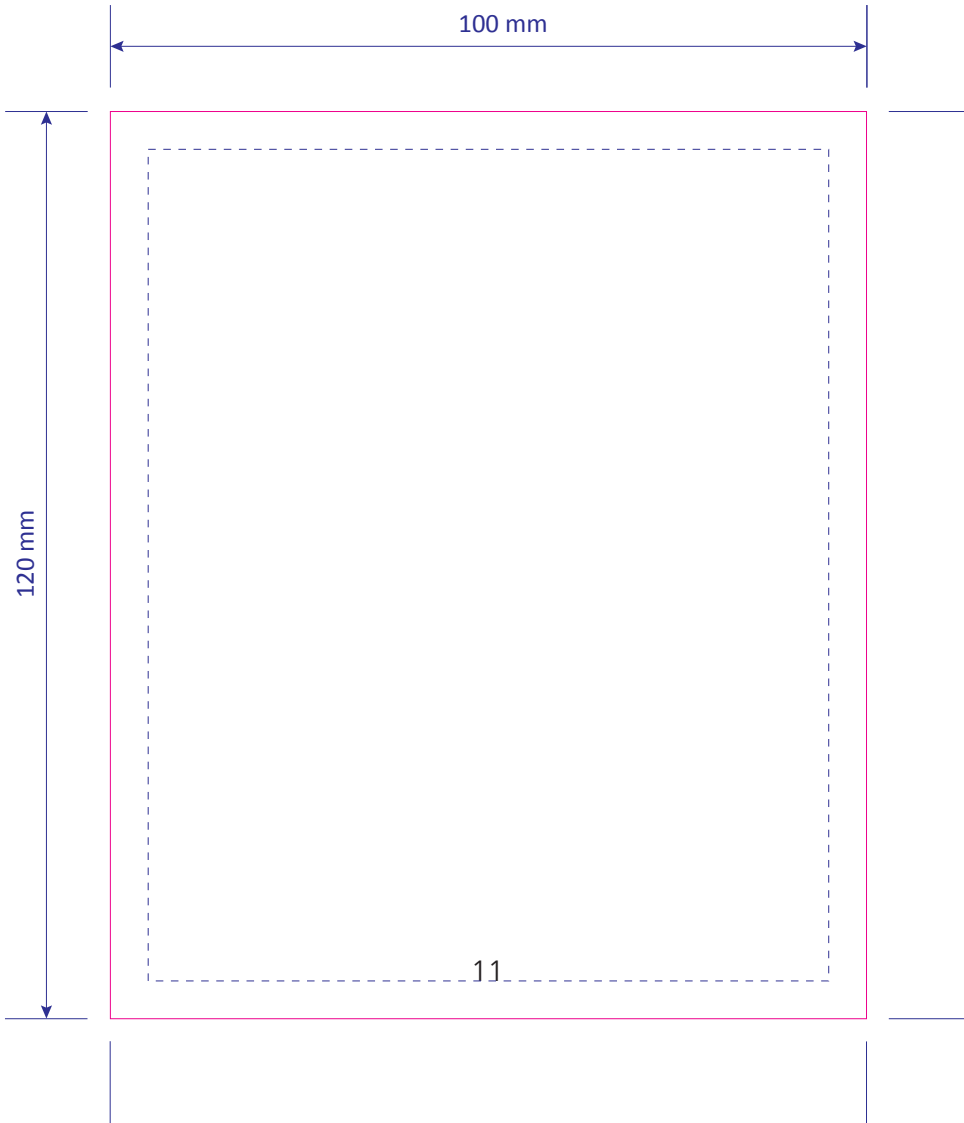
**PHILIPS**



**TRIDENT**  
 Trident UK, Connaught House, Connaught Road,  
 Kingswood Business Park, Hull, HU7 3AP, England.  
 T: +44 (0) 01482 828100

Please note that any low resolution paper Canon colour copies associated with this job should be referred to for content, layout and colour separation only.

UNDER NO CIRCUMSTANCES SHOULD THIS ARTWORK BE ALTERED WITHOUT PRIOR PERMISSION FROM TRIDENT.



# ARTWORK

Master Ref: **PHL546441**  
TR Ref: **TR2680555**  
Brand: PHILIPS  
Brand execution: HUE White and Color Ambiance  
Product name:  
Article Number: N/A  
Region: Trident UK  
Template Ref: Template 8 - Europe 100x120mm - Philips Hue  
Artwork 12NC: 442296114371  
Die cut 12NC:  
Barcode: N/A  
CRC Number:  
Action: **B**  
Date: 30/11/2022

Project Manager: Margarita Papoutsis

Trident Artist: Glenn Pickersgill

Technical & Non Printing Items  
■ Die-line ■ Guides

Colours:

Process black	1
	3%

# PHILIPS



**TRIDENT**  
Trident UK, Connaught House, Connaught Road,  
Kingswood Business Park, Hull, HU7 3AP, England.  
T: +44 (0) 01482 828100

Please note that any low resolution paper Canon colour copies associated with this job should be referred to for content, layout and colour separation only.

UNDER NO CIRCUMSTANCES SHOULD THIS ARTWORK BE ALTERED WITHOUT PRIOR PERMISSION FROM TRIDENT.

## ARTWORK

Master Ref: **PHL546441**  
TR Ref: **TR2680555**  
Brand: PHILIPS  
Brand execution: HUE White and Color Ambiance  
Product name:  
Article Number: N/A  
Region: Trident UK  
Template Ref: Template 8 - Europe 100x120mm - Philips Hue  
Artwork 12NC: 442296114371  
Die cut 12NC:  
Barcode: N/A  
CRC Number:  
Action: **B**  
Date: 30/11/2022

Project Manager: Margarita Papoutsis

Trident Artist: Glenn Pickersgill

Technical & Non Printing Items

■ DieLine ■ Guides

Colours:

Process black	1
	3%

# PHILIPS



TRIDENT

Trident UK, Connaught House, Connaught Road,  
Kingswood Business Park, Hull, HU7 3AP, England.  
T: +44 (0) 01482 828100

Please note that any low resolution paper Canon colour  
copies associated with this job should be referred to for  
content, layout and colour separation only.

UNDER NO CIRCUMSTANCES SHOULD THIS  
ARTWORK BE ALTERED WITHOUT PRIOR  
PERMISSION FROM TRIDENT.

100 mm

120 mm



Signify  
J.B.R.S. / C.C.R.I. Numéro 10461  
5600 VB Eindhoven,  
the Netherlands  
00800-74454775

[www.philips-hue.com](http://www.philips-hue.com)

© 2022 Signify Holding  
All rights reserved

4422 961 14371  
Last update: 11/2022