

展开尺寸: 400x120mm, 单页尺寸: 100x120mm

PHILIPS

Splay
9290031882
9290031884

A

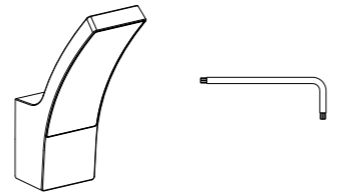


User manual
Benutzerhandbuch
Notice d'emploi
Manual de usuario
Manual do usuário
Manuale d'uso
Gebruiksaanwijzing

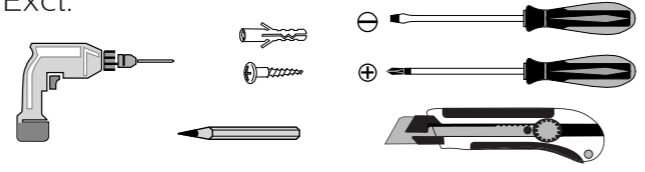
Incl.

A

B



Excl.



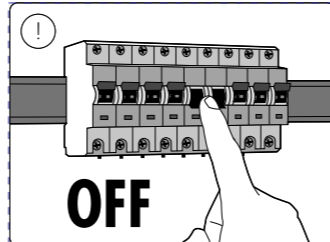
B

IP44

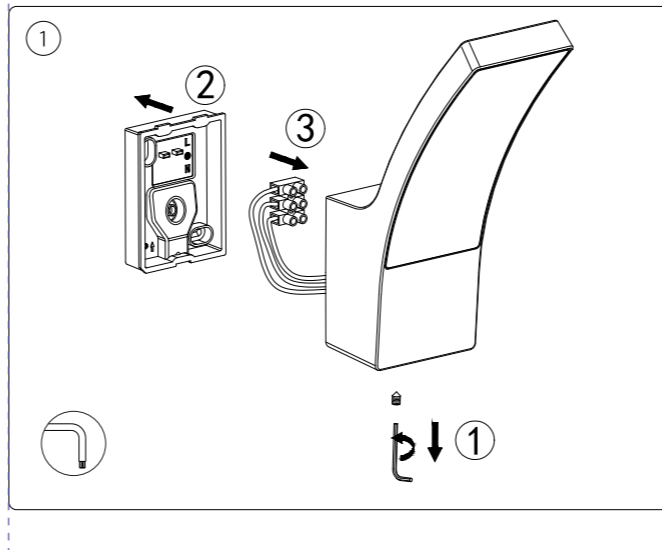
3/8"
8mm

E

2



OFF



1

3



Signify Commercial UK Limited
Unit 3, Guildford Business Park,
Guildford, Surrey, GU2 8XG, UK

Signify
J.B.R.S. / C.C.R.I. Numéro 10461
5600 VB Eindhoven, the Netherlands
00800-74454775

Philips and the Philips Shield Emblem
are registered trademarks of Koninklijke
Philips N.V. and are used under license.

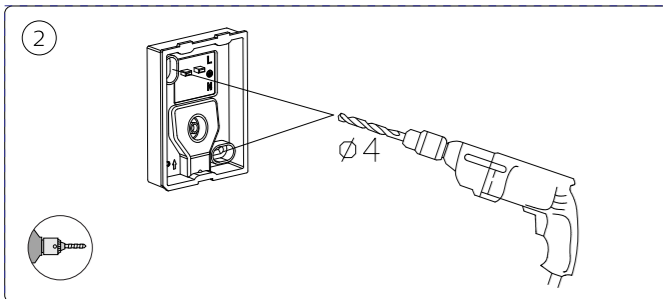
www.philips.com/lighting

© 2021 Signify Holding
@signify

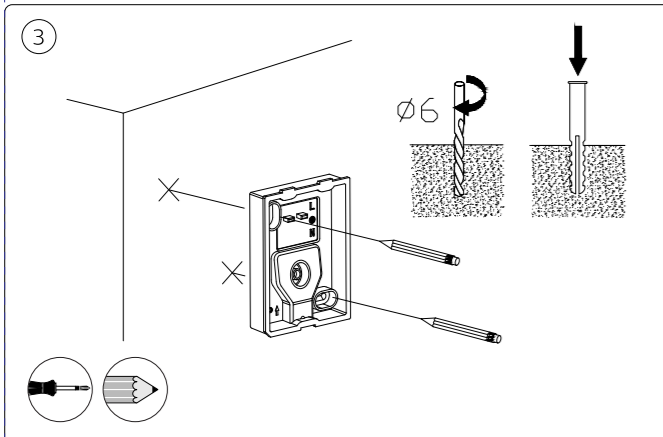
All rights reserved. 3241.658.90411

SIGNIFY	
Brand	PHL
Product Family	LED
Shape	
Wattage	
Template Ref.	N/A
SGS number	6526842
12-NC.NBR	324165890411
Masterdrawing	N/A
CRC Ref.	
Barcode No. N/A	
Operator(s) Jennyzhu	
VERSION No. v3	
Date in 20171110	
Date amended 20210922	
<div style="display: flex; justify-content: space-between;"> <div style="text-align: center;"> <div style="width: 15px; height: 15px; background-color: black; margin: 0 auto;"></div> <p style="font-size: x-small;">Black</p> </div> <div style="text-align: center;"> <div style="width: 15px; height: 15px; background-color: pink; margin: 0 auto;"></div> <p style="font-size: x-small;">Diecut</p> </div> </div>	
Date Check _____	
<input type="checkbox"/> Check briefing Traffic	
Artwork document	
<input type="checkbox"/> Legend	<input type="checkbox"/> Number of colors
<input type="checkbox"/> 12NC	<input type="checkbox"/> Trapping/Bleed
<input type="checkbox"/> Barcode	<input type="checkbox"/> Images hires
<input type="checkbox"/> Diecut	<input type="checkbox"/> Jobsizes
Approval	
<input type="checkbox"/> QC Lithographer SGS Shanghai Production	
<input type="checkbox"/> Product Manager allen.lai@signify.com	
<input type="checkbox"/> Traffic Manager Esdon Lu	

展开尺寸: 400x120mm, 单页尺寸: 100x120mm

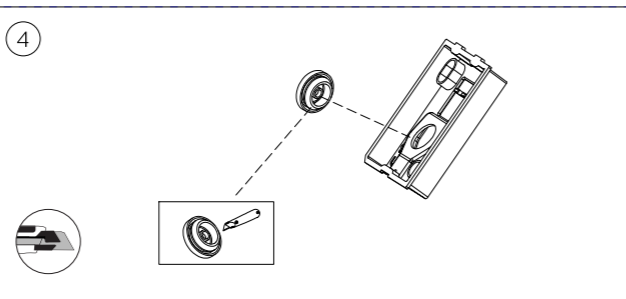


2

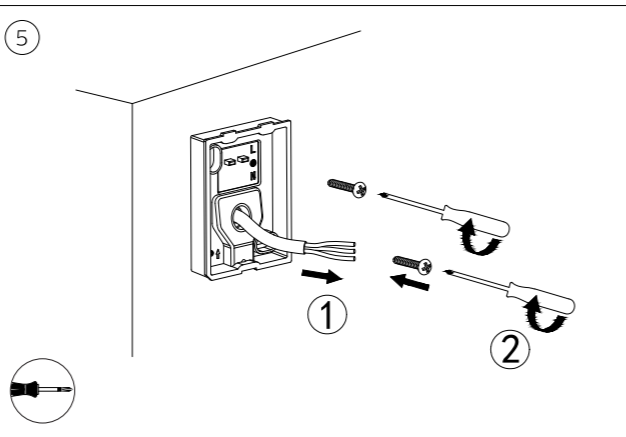


3

4

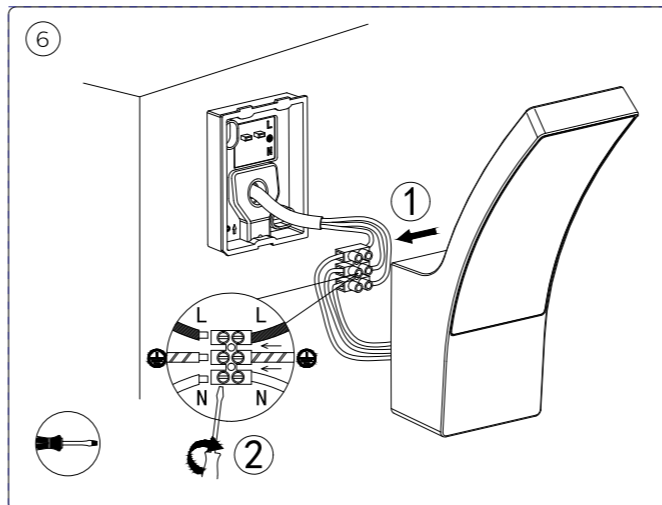


4



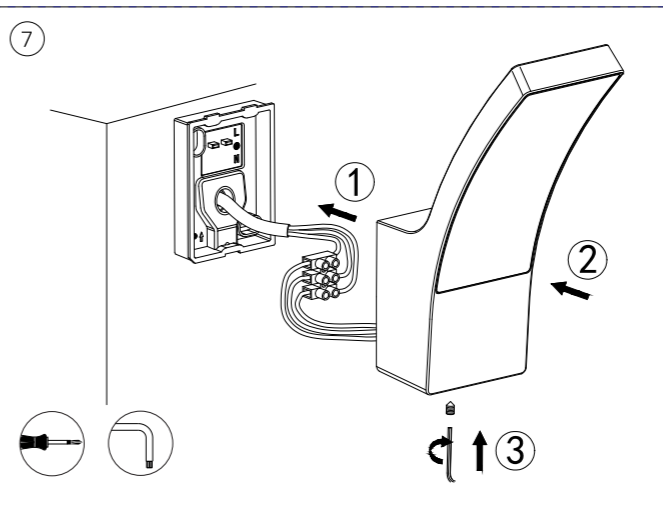
5

5

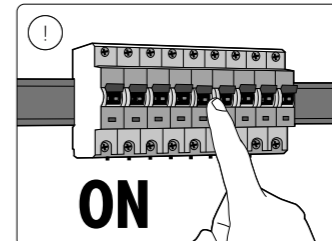


6

6



7



ON

7