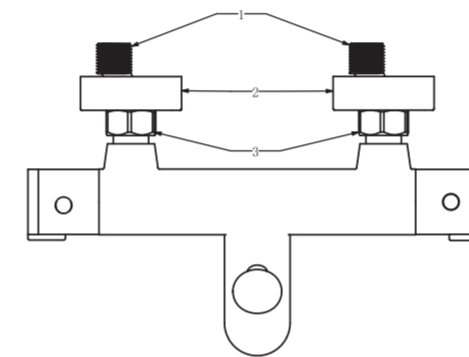




#### Instructions for installing your new thermostatic bath valve

**PLEASE READ THE FOLLOWING INSTRUCTIONS CAREFULLY AS OUR WARRANTY COVERS FAULTS DUE TO MANUFACTURE ONLY – before starting ensure you have the correct tools (avoid tools with serrated edges and clamps). Ensure you have a balanced water supply and adequate water pressure.**



1. Ensure that the water supply pipes are free of any debris, properly flush through.
2. Ensure that the mesh strainers are in place inside the inlets (item 3)
3. Ensure you correctly assemble the S Unions, Cover plates onto the mixer, using PTFE tape to ensure a water tight seal (items 1 and 2).
4. Connect the water supply to the mixer, ensure the hot water goes to the hot water inlet (left as you look at the mixer) and cold supply to the cold inlet. Use PTFE tape as appropriate
5. The thermostatic control is factory set to control water temperature, **please do not adjust.**
6. The diverter on the valve can be held open by pressure or a ¼ turn clockwise lift and lock should there be insufficient water pressure to hold it open.

#### TROUBLE SHOOTING

##### Poor Flow of Water

- Check that you have adequate water pressure
- Check for debris in the water inlet
- Check for Lime Scaling, remove the mixer/thermostat control and descale if needed (this will be required more often in Hard Water Areas)

##### Poor temperature control (For example too much hot or cold water)

- Check that your water supply is properly balanced
- Check for Lime Scaling, remove the mixer/thermostat control and descale if needed (this will be required more often in Hard Water Areas)

Tel: 01355 241111