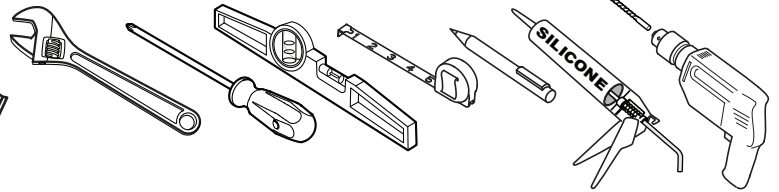


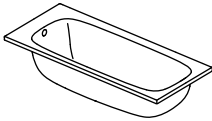


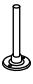







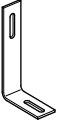
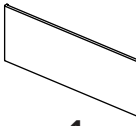
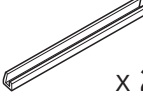


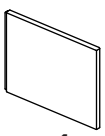
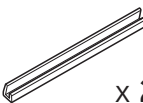


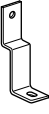
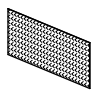
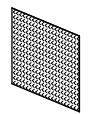
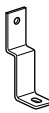
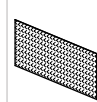
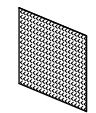


Alcohol Wipes

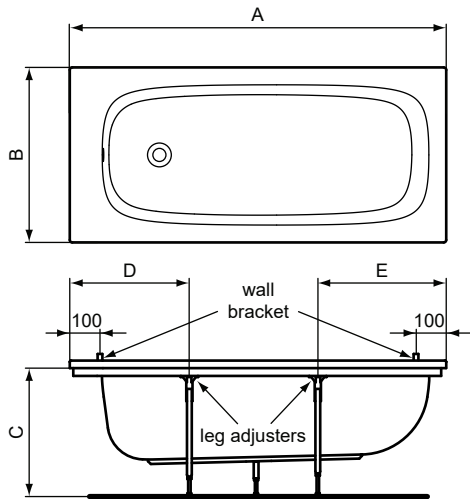


No complaints for visual defects will be accepted after installation. Before installation, unpack, remove protective film and check for any damage. Do not install if not satisfied and contact your supplier. If damaged, report immediately to supplier. Check components below have been received, if not contact the supplier. Ensure water feeds and waste connection points are positioned appropriately for the installation. During installation protect visible surfaces from impact damage or abrasions.

Caution: Care should be taken when drilling into walls or floors to avoid hidden pipes or electrical cables. The bath must be installed by qualified personnel.

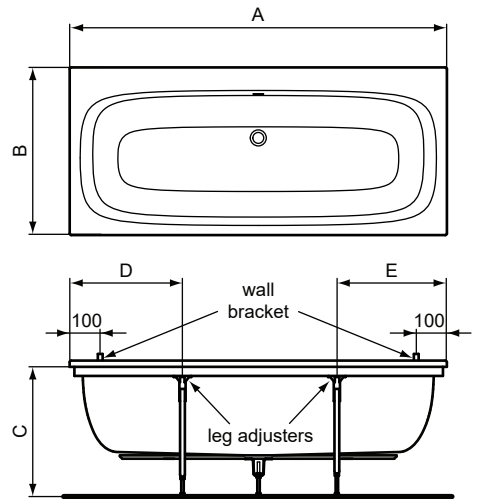
	A1	A2	A3	A4	A5	A6	A7	A8	A9	A10	A11	A12
A	 x 1	 x 2	 x 1	 x 1	 x 4	 x 4	 x 10	No.8x12 Pan Head  x 4	No.8x16 CSK Head  x 2	No.8x20 Pan Head  x 10	No.8x30 CSK Head  x 4	 x 2
B Front Panel (Sold and supplied separately)	B1  x 1	B2'  x 2	OR									
		B2''  x 4	B3 No.6x12 Pan Head  x 4									
C End Panel (Sold and supplied separately)	C1  x 1	C2'  x 2	OR									
		C2''  x 2	C3'' No.6x12 Pan Head  x 2									
				FP Fixing Pack (Sold and supplied separately)	FP1  x 4	FP2  x 4	FP3  x 4					
				FP Fixing Pack (Sold and supplied separately)	FP1  x 4	FP2  x 4	FP3  x 4					

1



Rectangular	A (mm)	B (mm)	C (mm)	D (mm)	E (mm)
150x70	1495	695	512	490	530
160x70	1595	695	512	490	530
170x70	1695	695	512	490	530
170x75	1695	745	512	490	530
170x80	1695	795	512	490	530

1'

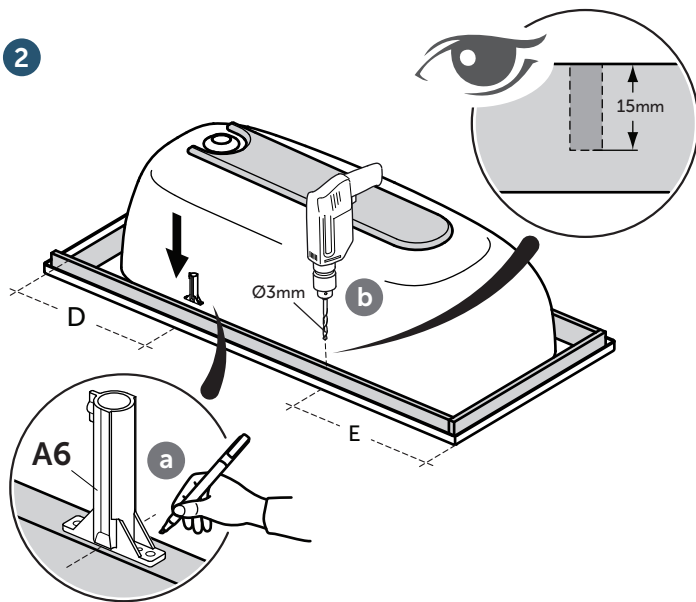


Double Ended	A (mm)	B (mm)	C (mm)	D (mm)	E (mm)
170x75	1695	745	512	490	490
180x80	1795	795	512	490	490

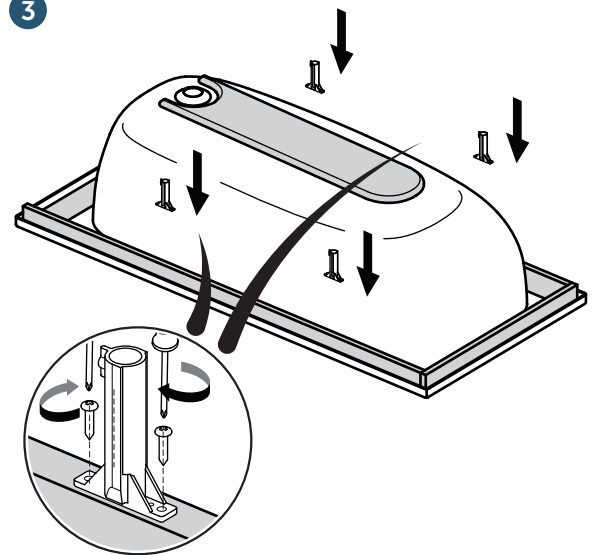


The **FOUR** black - No. 8x40 long countersunk screws that fixed the legs to the bath during transit are **NOT REQUIRED** and should be discarded.

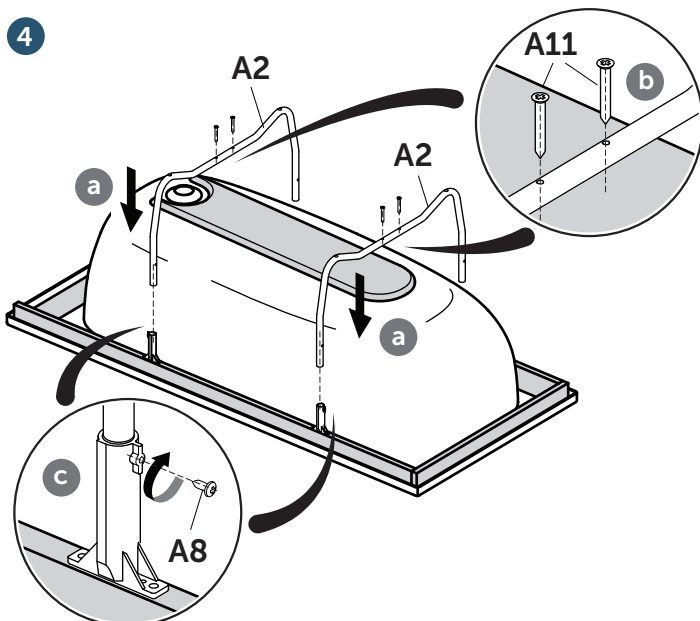
2



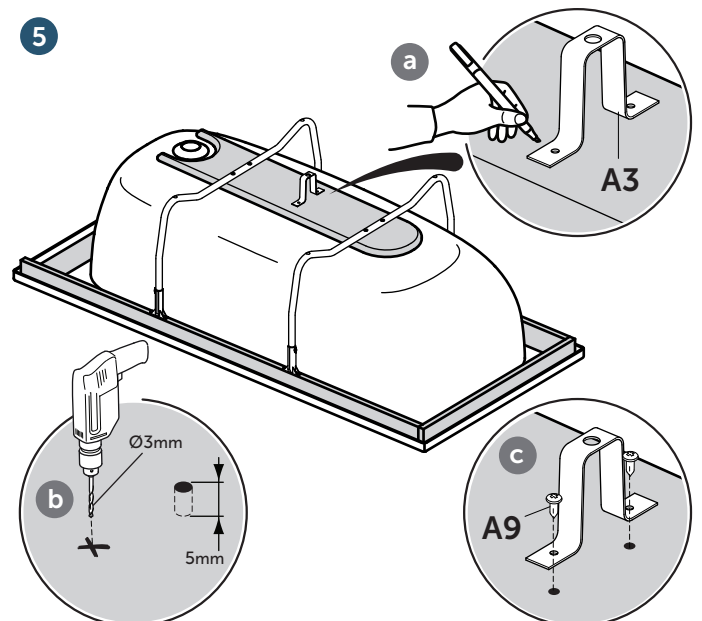
3

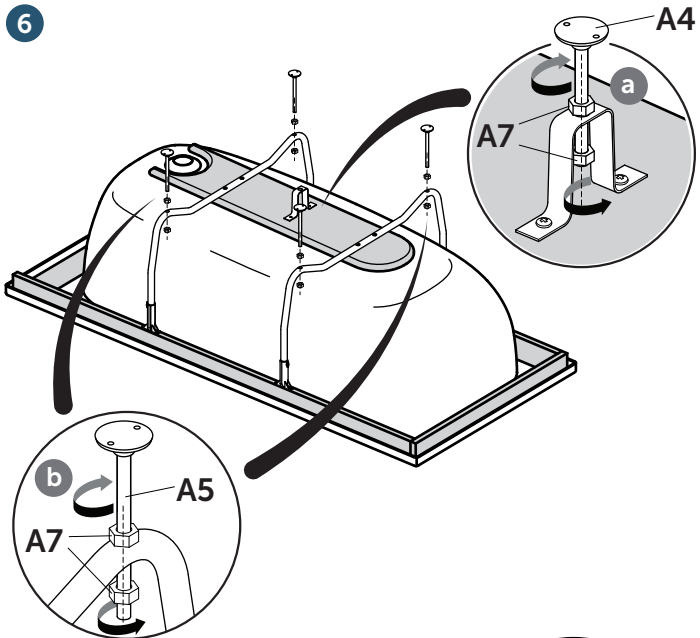


4

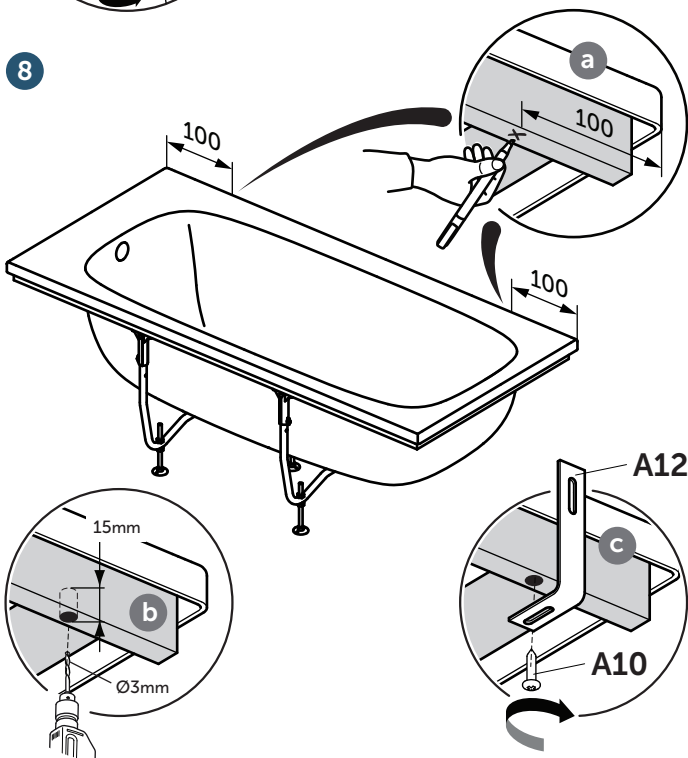


5

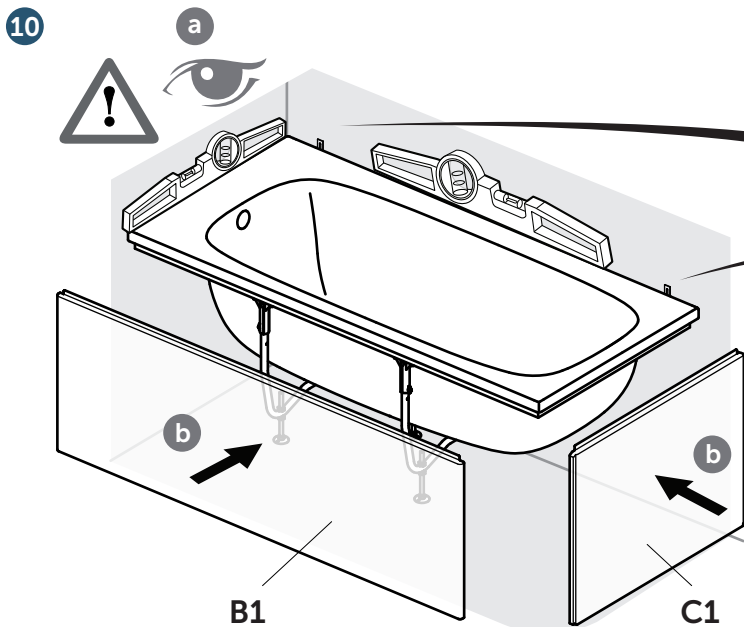
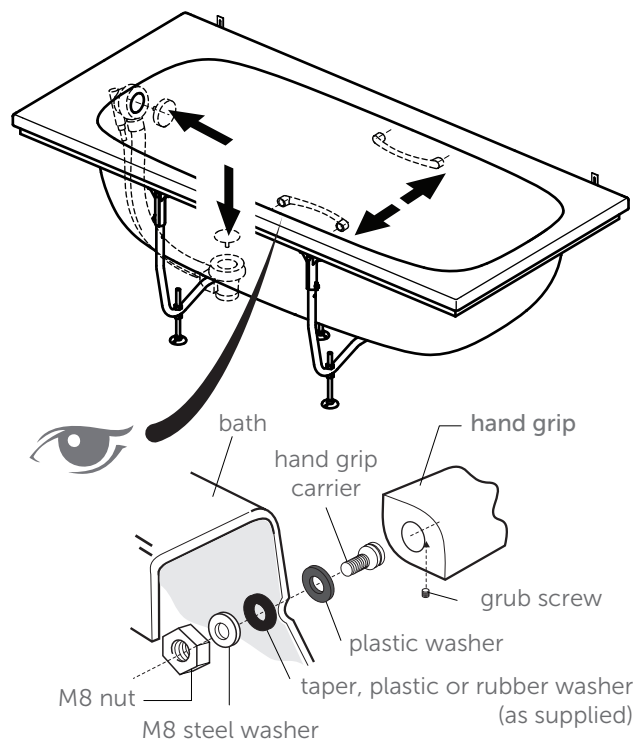




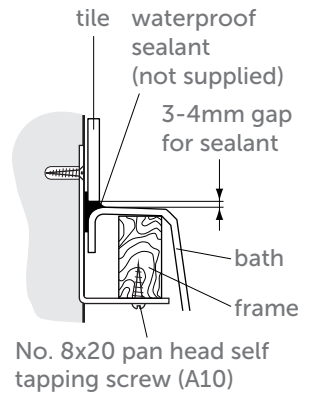
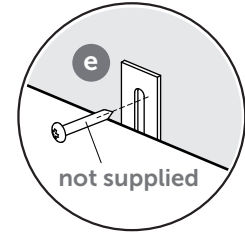
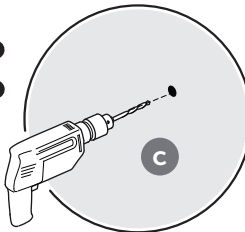
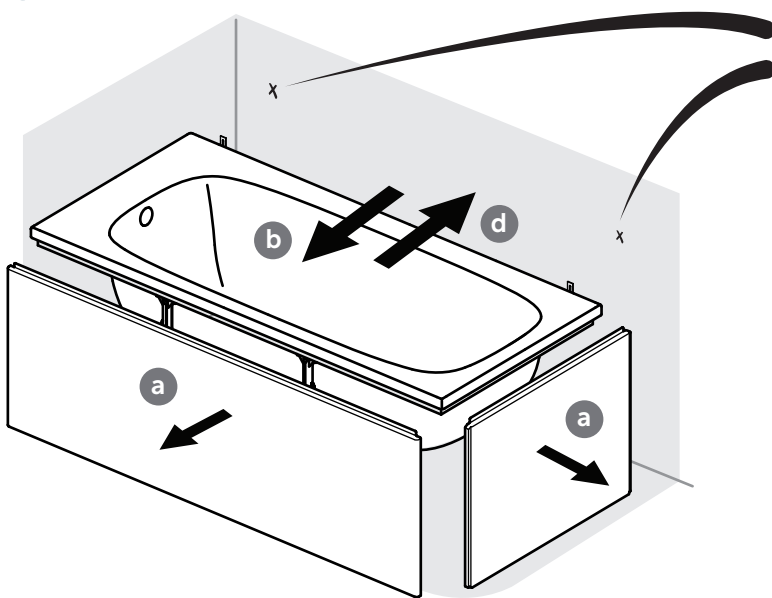
7 NOTE: Remember to allow for floor coverings.



9 NOTE: Fit Waste and Overflow fittings and any brassware and bath grips (where supplied).

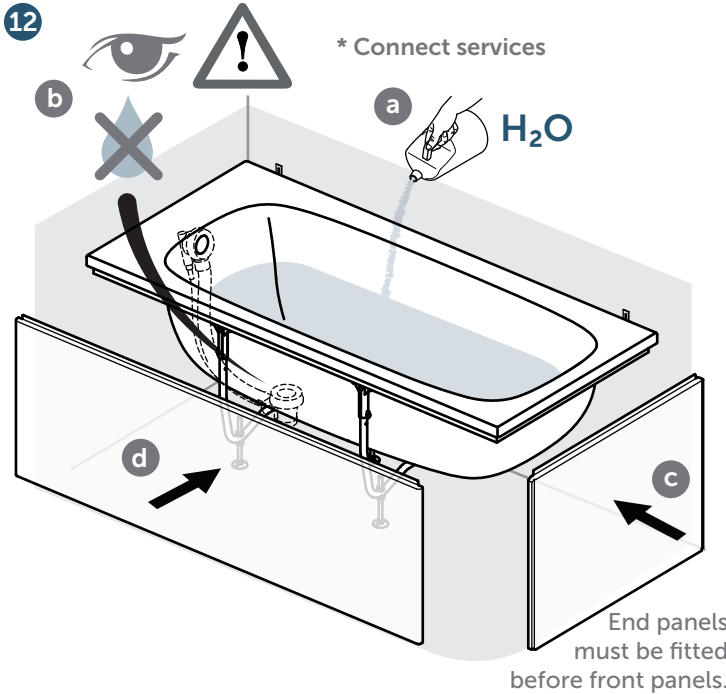


11



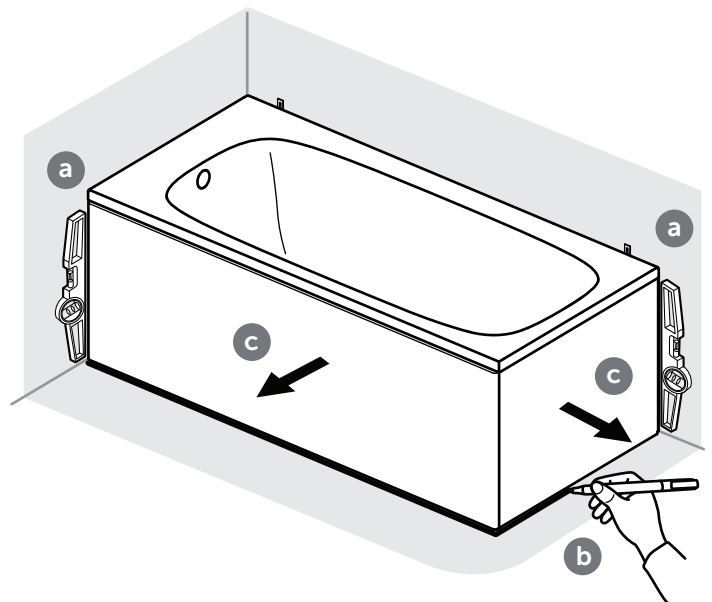
NOTE: If wall bracket fitment is not possible, then use of wooden battens is recommended for rim support.

12

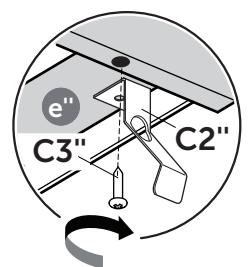
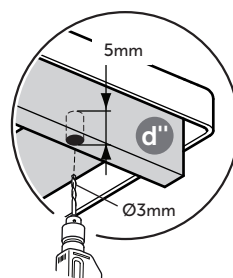
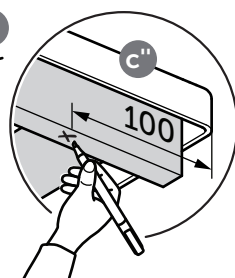
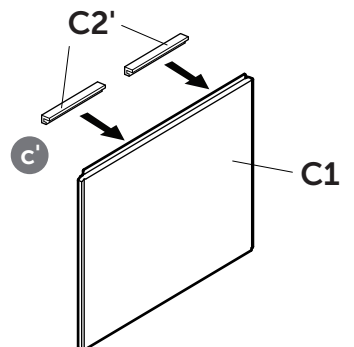
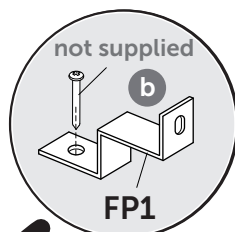
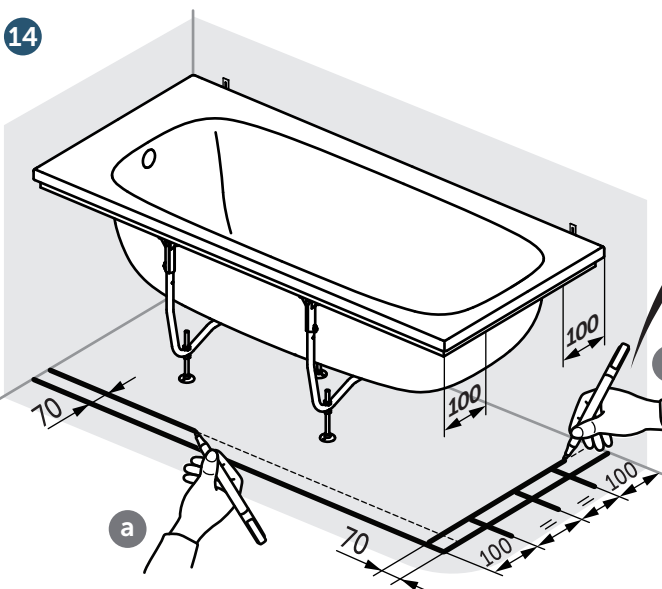


* Connect services

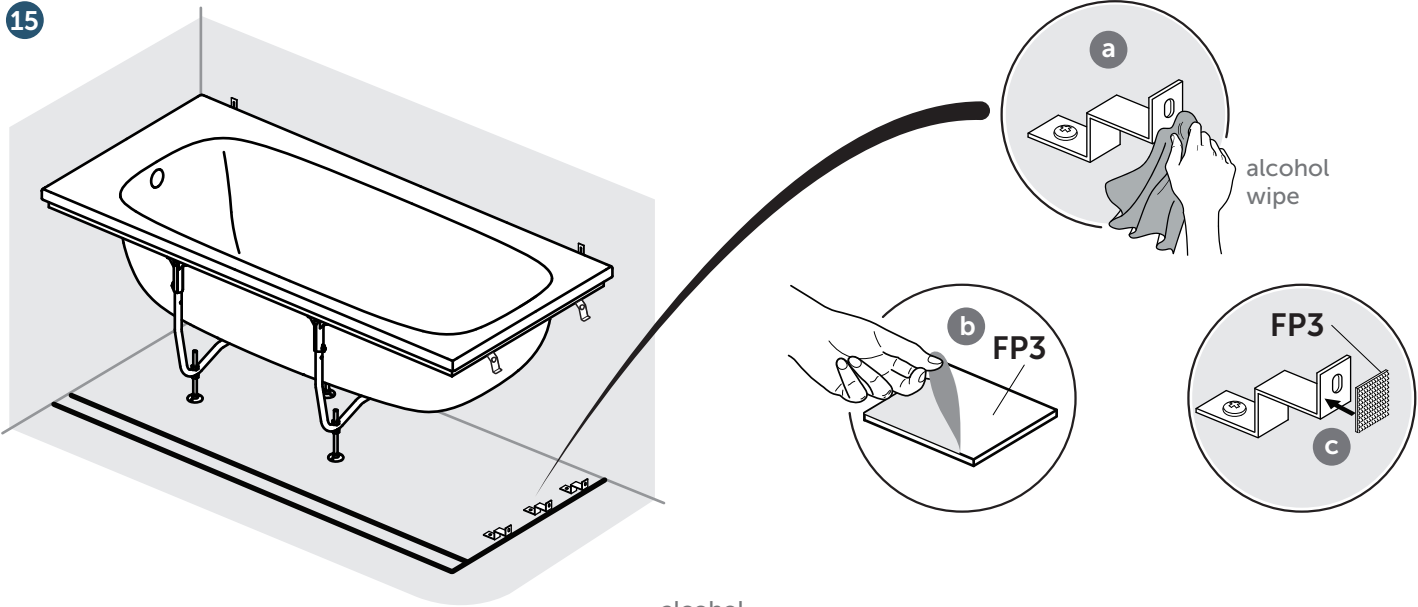
13



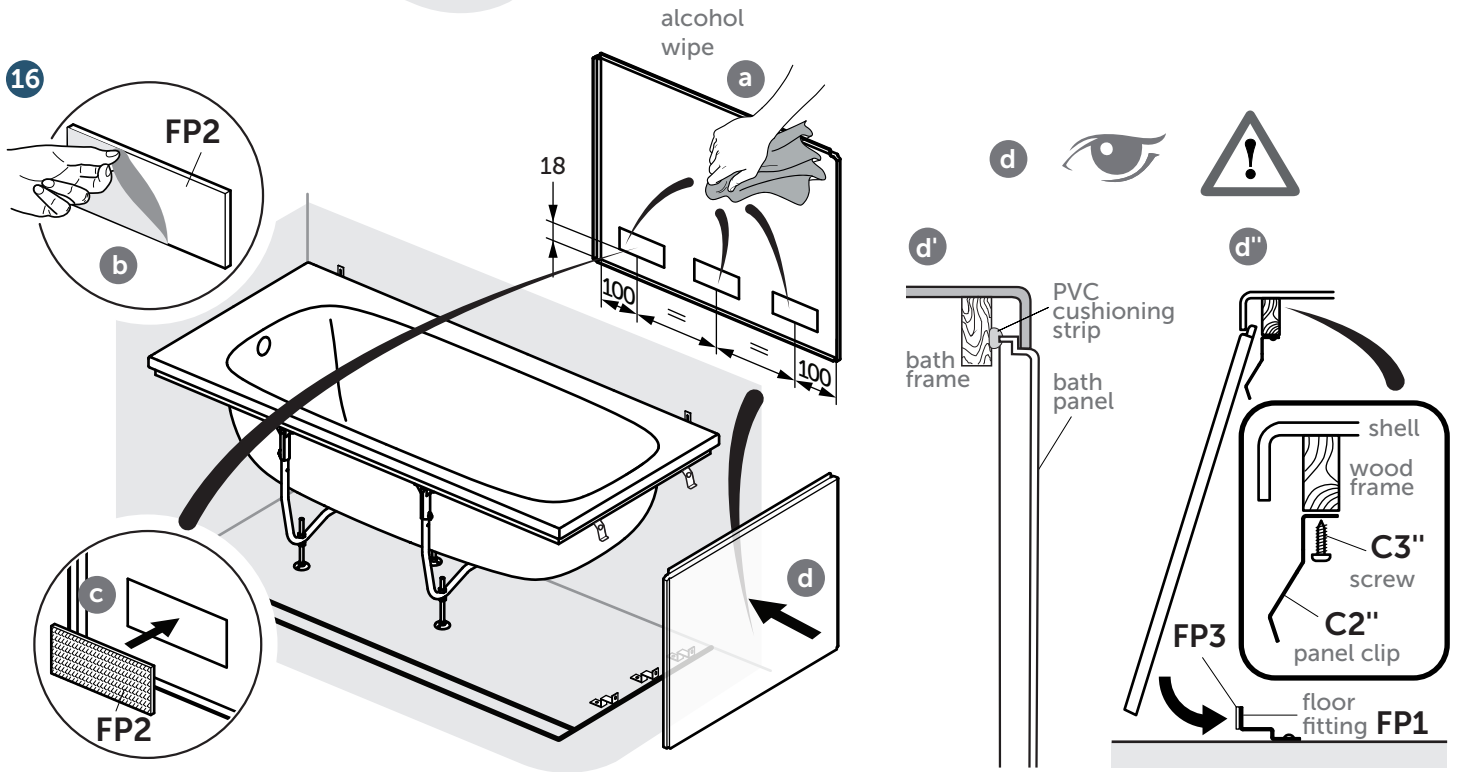
14



15

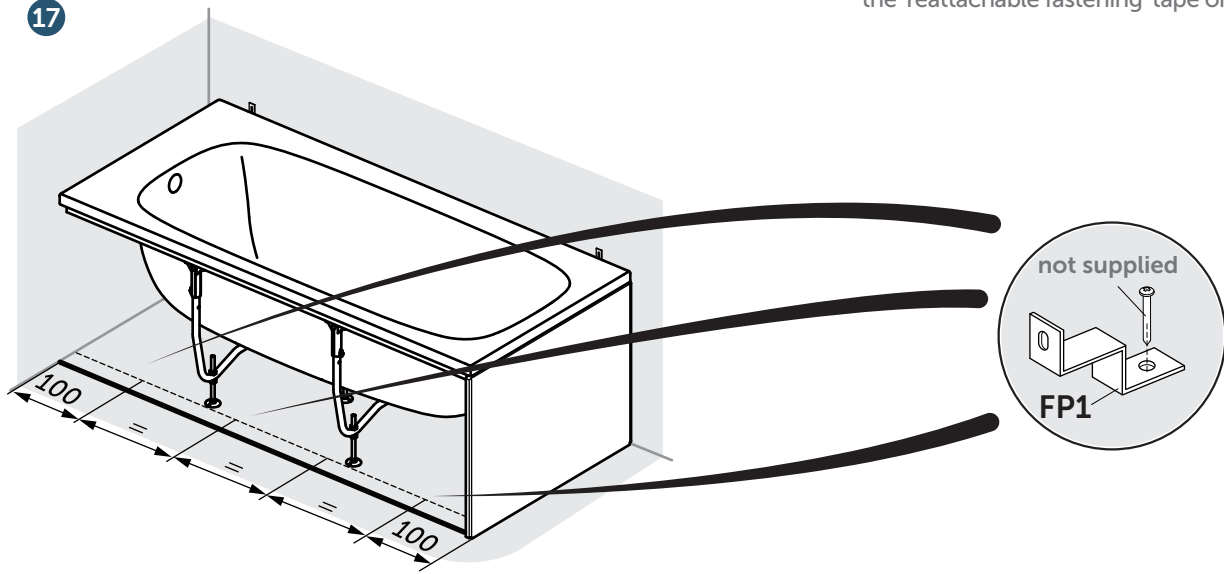


16

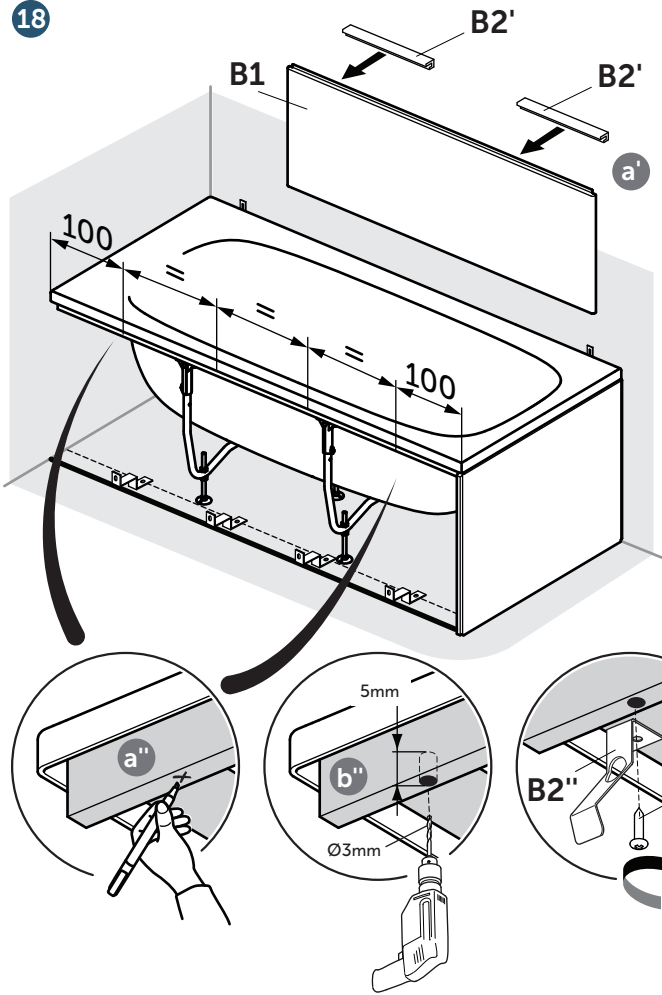


Insert top of the end panel between the bath rim and panel clips and push the bottom of the panel against the 'reattachable fastening' tape on the brackets.

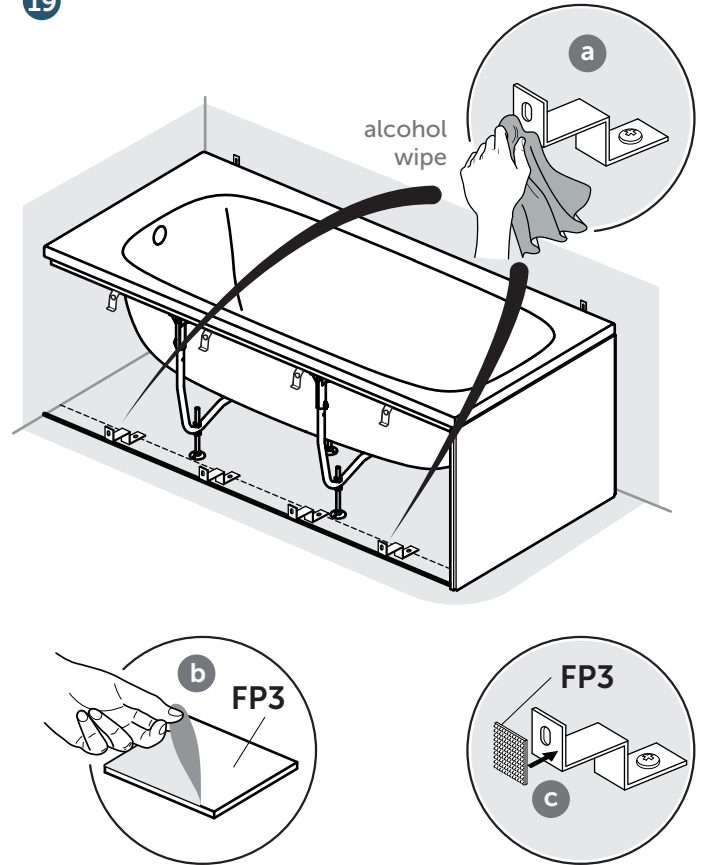
17



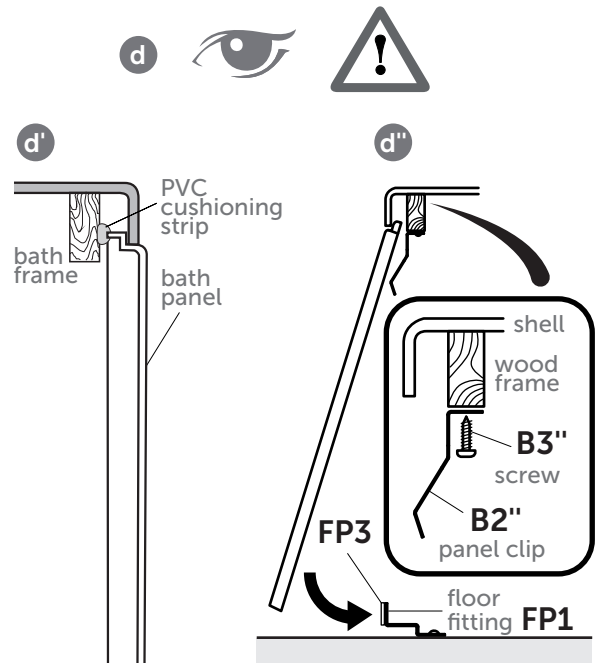
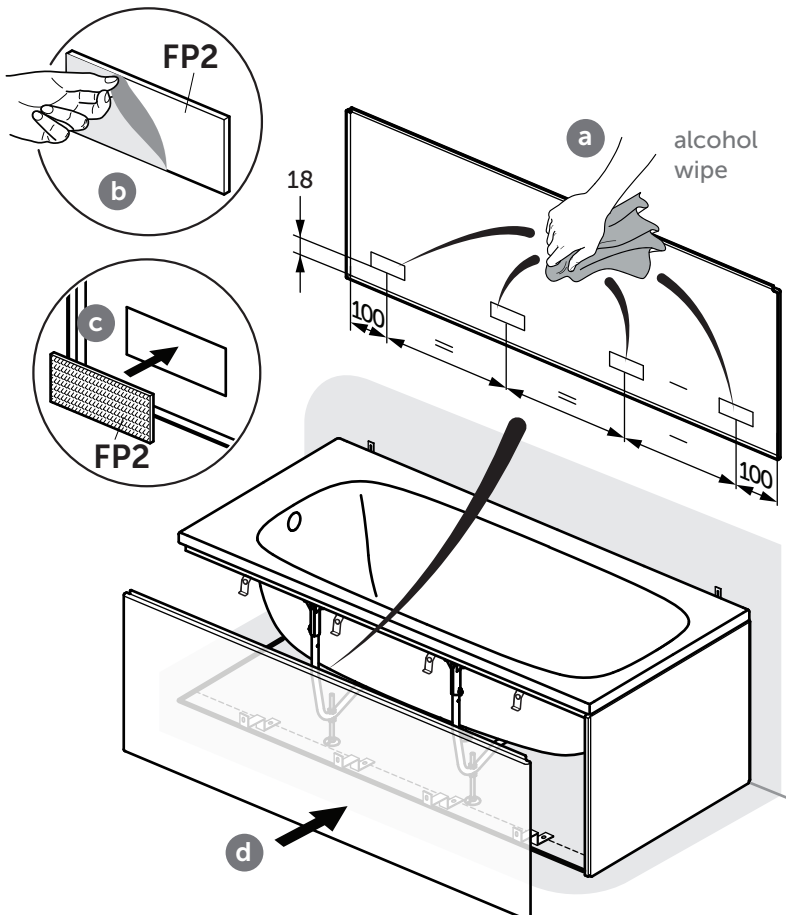
18



19



20



Insert top of the front panel between the bath rim and panel clips and push the bottom of the panel against the 'reattachable fastening' tape on the brackets.

CARE OF BATH

This bath left our works in first class condition and the following points should be noted:

To avoid disappointment, please remove the protective film and inspect before installation.

Responsibility will not be accepted for the installation of faulty baths.

Care of bath - for the installer:

Keep under cover in a clean, dry, weather-proof place.

Do not drop. Protect completely during and after installation (with clean felt etc.).

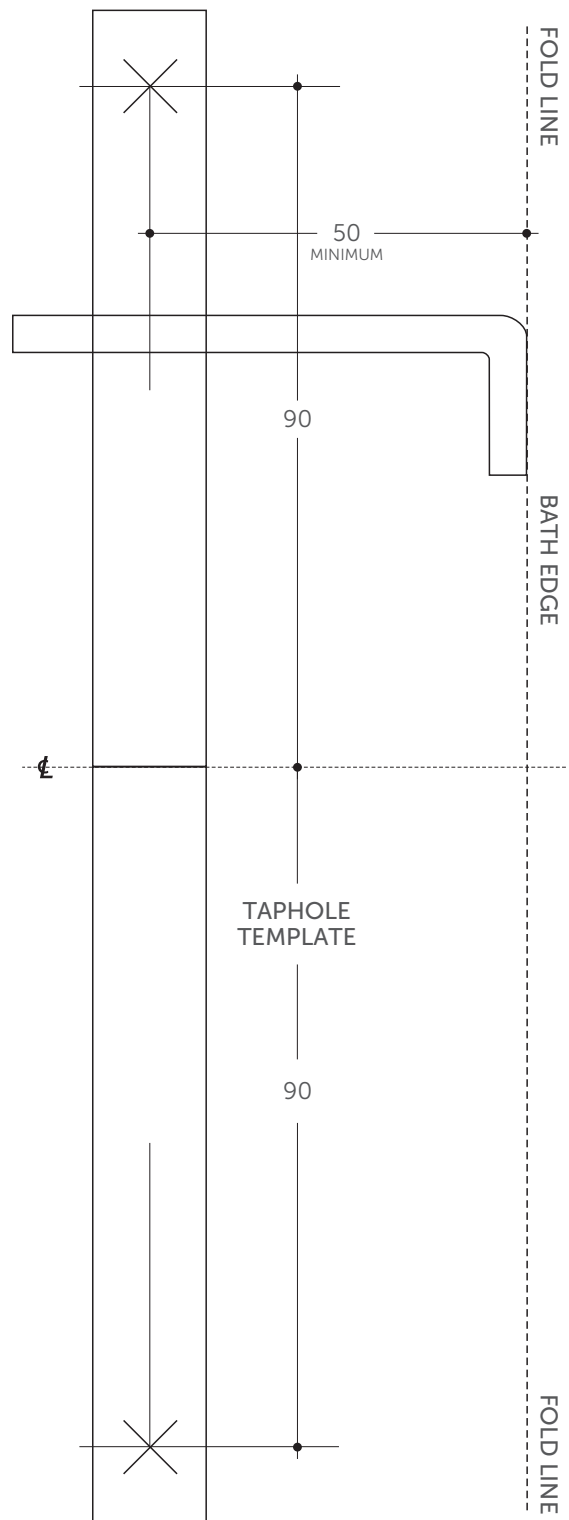
When making joint to waste, overflow etc. on this product, **DO NOT** use linseed oil putty or similar based sealing compounds. Ensure rubber washers supplied with waste fittings are located correctly to give watertight seal.

Test the fittings and then do not use the bath for any other purpose.

Please leave this leaflet for the end user to read.

WARNING

1. **Filling.** It is advisable always to run in some cold water before turning on the hot tap.
2. **Cleaning.** The bath should always be cleaned immediately after use, preferably whilst the water is running out and the bath is still warm. The film of insoluble soap products, body fats and grime which will otherwise harden on the side of the bath is easily removed at this stage. In hard water districts insoluble lime salts are deposited below the waterline and under leaking taps. If this deposit is allowed to build up, it becomes increasingly difficult to remove and looks unsightly. Prompt cleaning is again the answer. Hot soapy water with a cloth should be used and the bath wiped dry.
3. **Cleaners of a gritty or abrasive nature should never be used.** Worn washers on dripping taps should be replaced.
4. **Chemicals.** Acrylic has good resistance properties to acids and alkalis but should not be allowed to come into contact with organic solvents such as dry cleaning agents and paint strippers.
5. **Removal of scratches.** In the event of slight scratches in the bath surface a mild abrasive, similar to metal polish, can be used to polish these out.
6. **Burning cigarettes** should not be allowed to come into contact with the surface of this bath or damage may ensue.



PRODUCT GUARANTEE

25 YEARS

Idealform Acrylic baths

10 YEARS

Shower enclosures and bath screens

5 YEARS

Valves and kits, bath panels taps and mixers

This covers products in domestic use by the consumer and not commercial or business use.

All Ideal Standard products must be installed, used and cared for in line with our fixing instructions, local water byelaws and current water regulations.

Access should always be left for installation, service and repair. Any relating costs are the responsibility of the owner / installer.

Guaranteed parts will be replaced if found faulty.

This guarantee does not cover general wear and tear.

Applies to the UK and Republic of Ireland only.

Proof of purchase will be required for any warranty claim.

CUSTOMER CARE HELPLINE

01482 496318

FAX LINE 01482 499611

email: customercare@idealstandard.com

We pursue a policy of continuing improvement in design and performance of our products. The right is, therefore, reserved to vary specifications without notice.