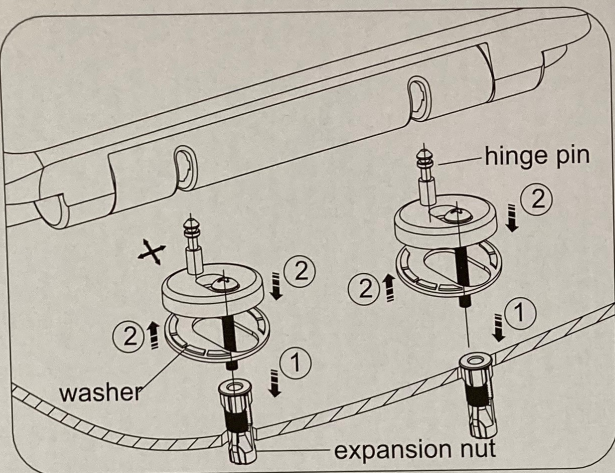
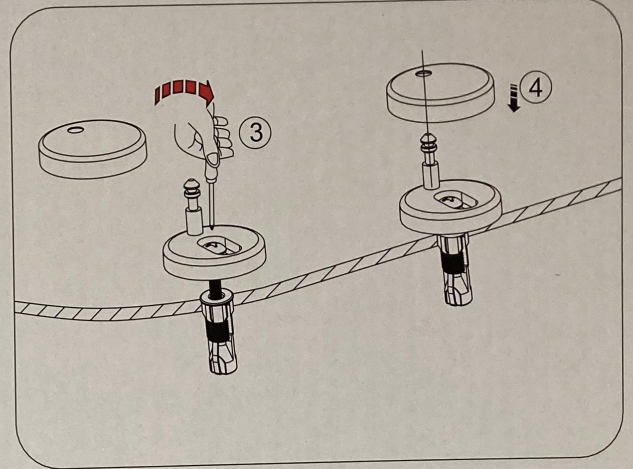


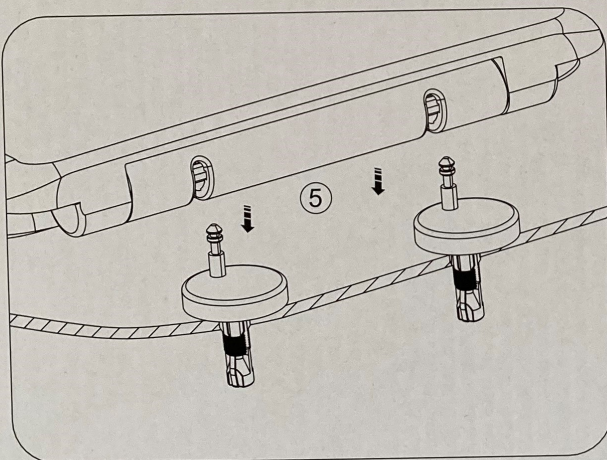
Installation instructions



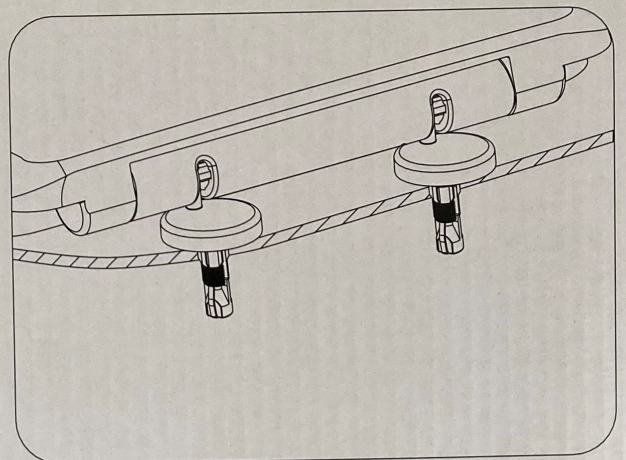
- ① Insert the plastic expansion nut into the toilet fixing holes.
- ② Fit the washer and the hinge together then insert the fixing screw through the hinge plate.



- ③ Tighten the screw using a screw driver but not firmly fixed. Determine the right position of the hinge pin by placing the seat on the pan and comparing the pins against the pin holes in the seat. Then, continue to tighten the screw until it is firmly fixed.



- ④ Cover the hinge plates with the hinge covers.
- ⑤ Attach the seat onto the toilet pan.



For cleaning, press the button in the middle and pull the seat upwards to remove it. Clean the seat and other desired area, and then reattach the seat onto the hinge pins.