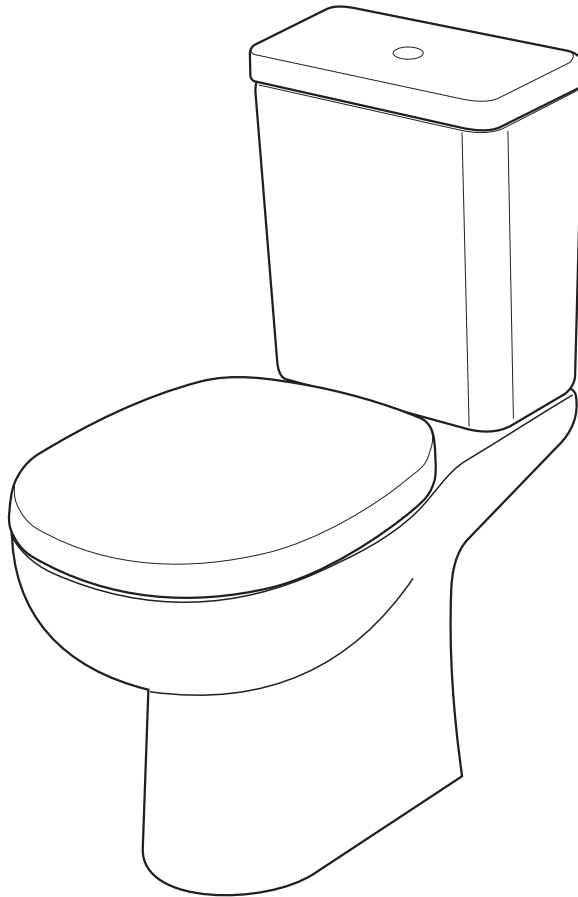


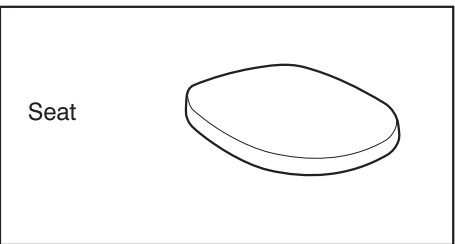
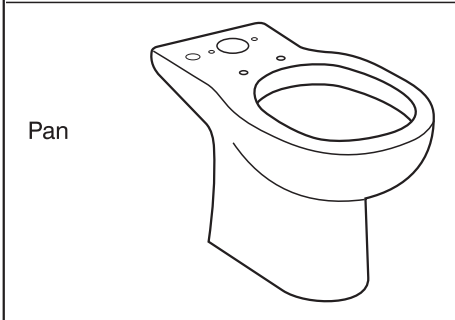
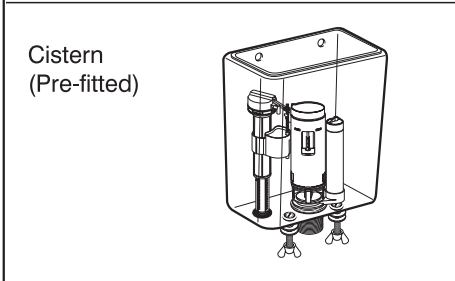
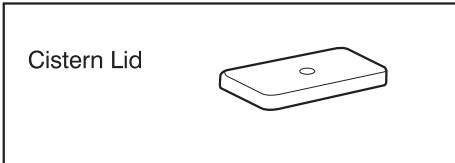


Close Coupled WC Suite

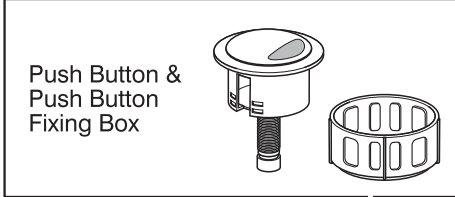
Assembly and Installation Instructions



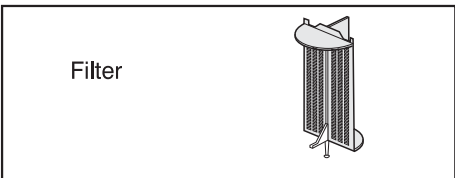
Parts Supplied - WC



Fittings Supplied

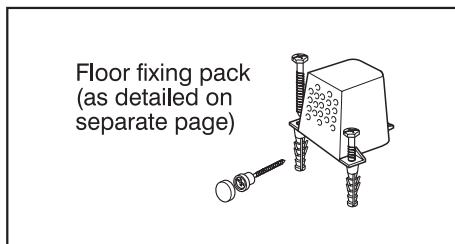


Inlet Valve Parts



Floor Fixing Pack

(only supplied with Vue Suite pack)



Tools Required (not supplied)

- Adjustable Spanner
- Screwdriver
- Spirit Level
- Tape Measure
- Pencil or Marker Pen
- Power Drill and suitable bit(s)

Before You Start

- Check the pack and make sure you have all the parts listed. If not, contact the vendor who will be able to help you.
- When you are ready to start, make sure that you have the right tools to hand, plenty of space and a clean, dry area for assembly.
- Ensure the water feed and waste connection points are positioned appropriately for the installation.
- **Caution:** Care should always be taken when drilling into walls and floors to avoid any sunken wires or pipes.
- Operating water pressure for inlet valve 0.2 Bar - 8.0 Bar.
- **Please Note:** Although these instructions are comprehensive, it is always recommended that a technically competent installer should undertake installation.
- **Servicing valve:** The Water Regulations have a requirement to fit a servicing valve adjacent to the cistern. (Not supplied).

Assembly

1. The cistern components are pre-fitted and set at the factory to flush at 6/4 litres.

If 4/2.6 litres flushing volumes are required, refer to later sections.

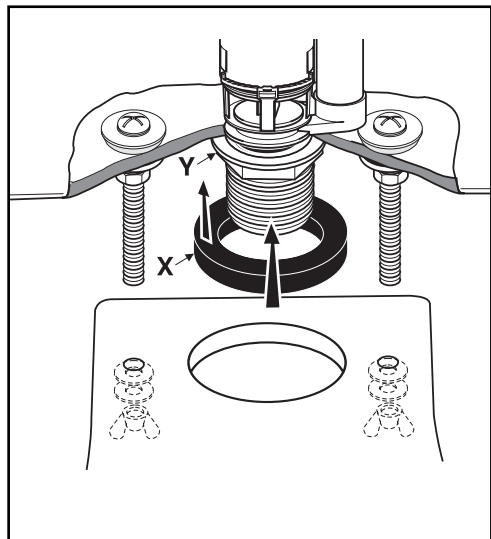
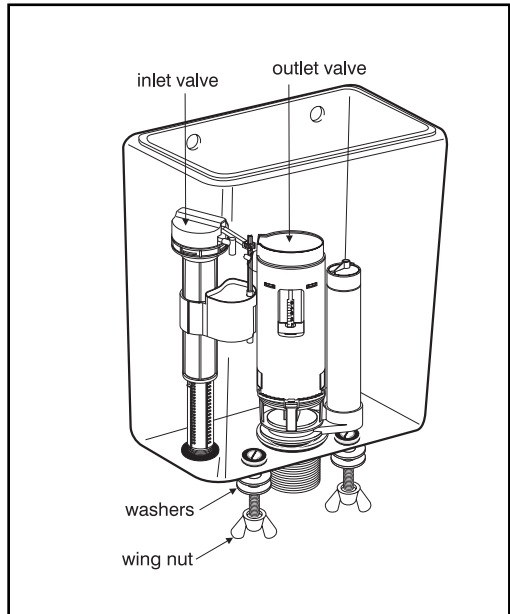
Check all joints to ensure they are watertight.

2. Remove wing nuts and washers from the protruding bolts.

3. Slide close coupling washer (X) over outlet valve backnut (Y) before placing the cistern onto the pan. Locate bolts through WC.

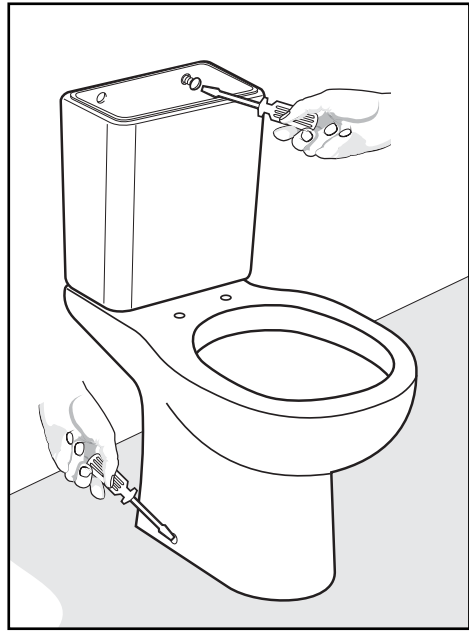
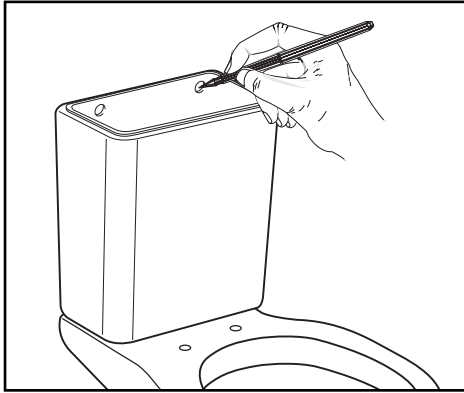
Secure using wing nuts and washers previously removed.

Do not overtighten.



WC Pan and Cistern Fixing

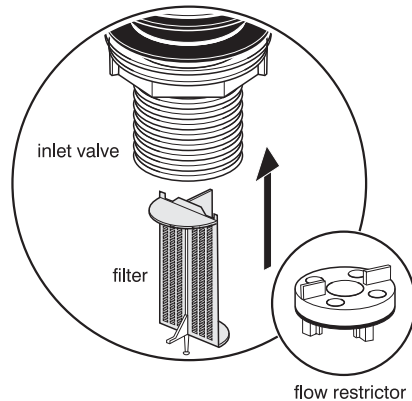
Place pan and cistern into position and secure cistern to wall and pan to floor using screws, (not supplied). See separate page for Vue pan fixing detail.



Connecting Water Supply and Waste

If water pressure exceeds 3.5 Bar then fit the flow restrictor prior to fitting the filter in the inlet valve stem. Ensure both filter and flow restrictor are fitted the right way up as shown opposite.

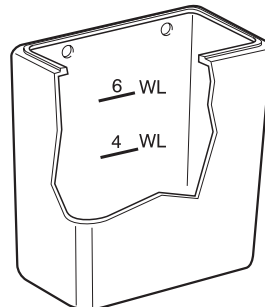
Connect water supply and waste connections.



To Set The Water Level

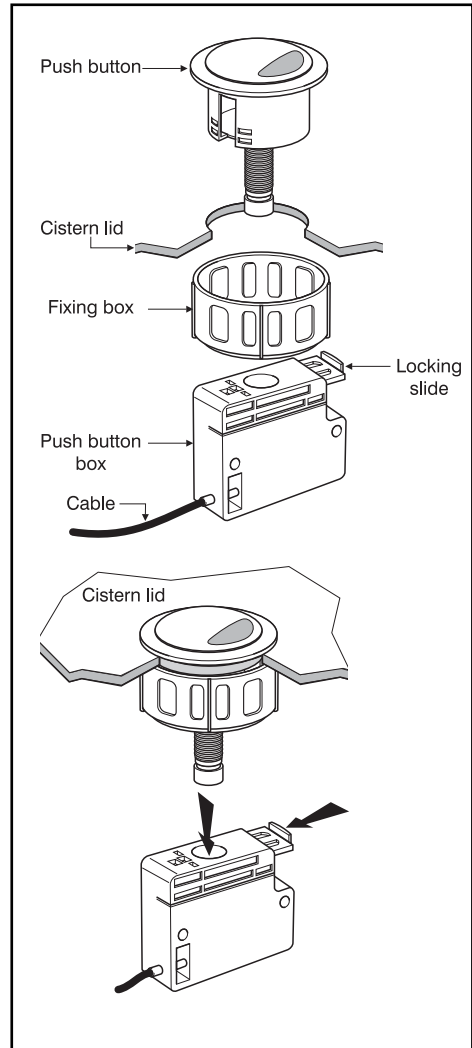
Turn on the water supply and allow the cistern to fill. Adjust the float by twisting the float stem on the inlet valve so that the valve stops the flow of water when the water reaches the required marked water line.

(Water line indicates full flush volume).



Push Button Installation

1. Fit the push button into the cistern lid and secure with the fixing box.
2. Push locking slide in and engage push button in push button box, release locking slide to lock.
3. Ensure push button cable is not kinked or trapped and does not interfere with working components.
4. Fit cistern lid.
5. Flush cistern and check for leaks and correct operation.

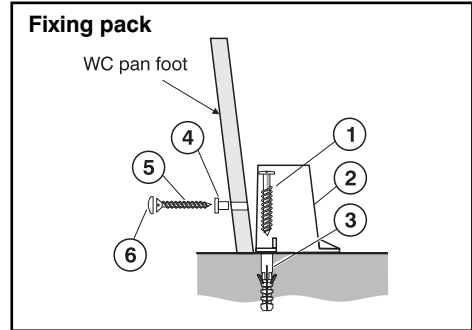


Fit Seat

See separate instruction.

Floor Fixing Method for Vue WC Suite - Parts Supplied (with WC pan)

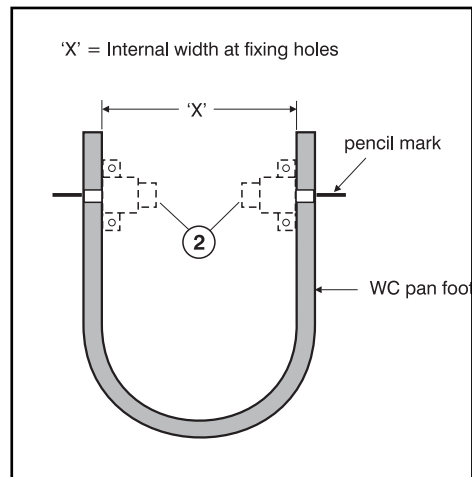
| Ref | Description | Quantity |
|-----|----------------|----------|
| 1 | Bolt | 4 |
| 2 | Bracket | 2 |
| 3 | Plug | 4 |
| 4 | Plastic Washer | 2 |
| 5 | Screw | 2 |
| 6 | Cover Cap | 2 |



Items 1 & 3 are for solid floors only
For wood floors an alternative
suitable fixing must be used

Assembly

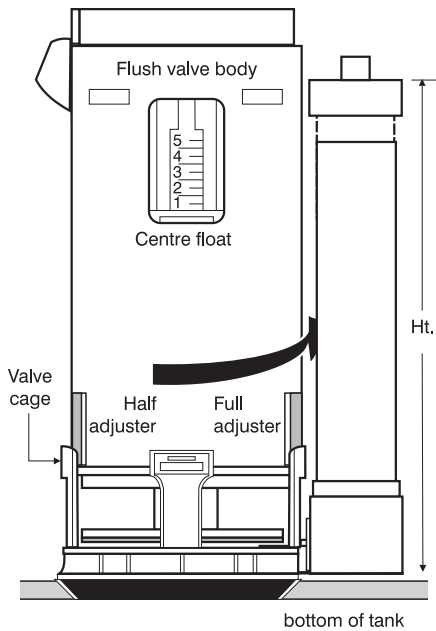
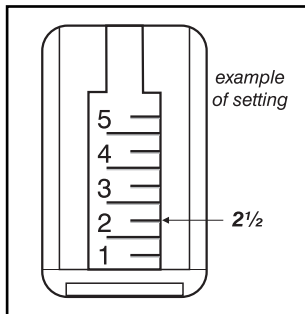
- Place the WC pan in its final installation position.
- Mark on the floor the position of the fixing hole at each side of the pan.
- Remove the pan.
- Measure dimension 'X' on pan.
- Place brackets at distance 'X' apart and in line with mark on floor.
- Mark, drill and fix brackets in position using screws and plugs, (items 1 & 3).
- Place the WC pan back into position.
- Push plastic washer (4) onto screw (5). Screw and tighten into the bracket (2). Repeat for the other side.
- Push cover cap (6) onto each plastic washer (4)



Converting Tank to 4/2.6 Litres Flush

Flush Valve Adjustment

1. Remove flush valve body by turning anti-clockwise and lifting from valve cage.
2. Adjust valve settings to chart below by moving full and half adjuster and centre float up or down.
3. Adjust overflow pipe height, by turning tube anti-clockwise and pushing to correct height. Re-lock in position. N.B. minimum setting does not require locking.
4. Refit valve.



FLUSH VALVE SETTINGS FOR 4/2.6 LITRE FLUSH

| WC | Flush Volumes (litres) | Full adjuster | Half adjuster | Centre float | Overflow Height (mm) | W.L. Height (mm) |
|-------|------------------------|---------------|---------------|--------------|----------------------|------------------|
| Della | 4/2.6 | 2 | Fully closed | 4 | 215 | 185 |
| Vue | 4/2.6 | Fully open | Fully closed | 5 | 215 | 180 |

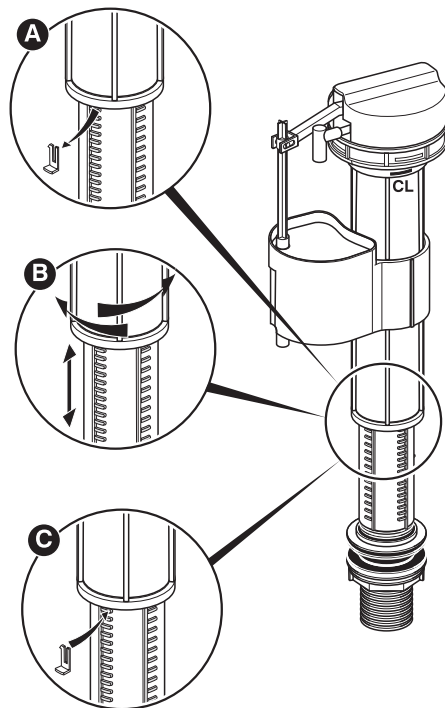
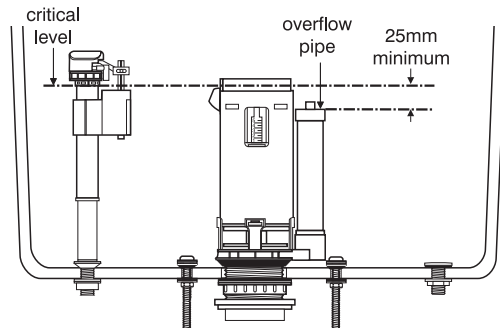
Converting Tank to 4/2.6 Litres Flush (cont.)

Inlet Valve Height Adjustment

It may be necessary to remove the inlet valve from the tank to aid adjustment.

- A** Remove locking clip by pushing downwards
- B** Loosen valve body anticlockwise, adjust to required height, and tighten clockwise.
For the valve to be installed correctly, the Critical Level mark on inlet valve, (C.L. mark on valve body) should be at least 25mm above top of overflow pipe.

- C** Re-fit locking clip
- D** Adjust the float so that the water supply shuts off at the 4 litre waterline.
Check float movement does not catch locking clip.



Product Care

All our products are designed, manufactured and supplied to give many years of reliable service, provided they are properly maintained and cared for.

These are our recommendations to make sure that your bathroom stays looking good:

Vitreous China – Ceramic toilets, cistern tanks

Do's

Use warm soapy water, cream or liquid cleaner.

Occasional use of mild bathroom lime scale removers is acceptable.

Use in accordance with manufacturers instructions, rinsing well with plenty of water.

Inlet valve filter to be cleaned regularly.

Don't

Do not put bleach products in the cistern – this can damage the internal fittings.

It is acceptable to use in the toilet bowl itself.

Never put strong cleaner or bleach in overnight.

Never mix different cleaners in the WC – they can react to give off poisonous gas.

Plastic WC Seats

Do's

Clean immediately after use to stop a build up of dirt and scale.

Use warm soapy water, Cif cream cleaner or Domestos Multi Active surface cleaner.

Polish out minor scratches and abrasions with a mild polishing compound.

Don't

Never leave pools of soap, shampoo or cleaning detergent (please see above) – these can cause permanent stains.

Never let cigarettes/flames near - your seat can burn and melt.

Never use household chemicals – a range of products such as paint stripper, nail varnish remover, household bleach, perfume, aftershave or strong disinfectant.

We cannot recommend the use of any scouring products or cream cleaners other than Cif.

Never mix different cleaners on your seat – they can react to give off poisonous gas.

Product Guarantee

L I F E T I M E

All Ideal Standard ceramic products

5 Y E A R S

Toilet seat and cover

WC cistern fittings

This covers products in domestic use by the consumer and not commercial or business use.

All Ideal Standard products must be installed, used and cared for in line with our fixing instructions, local water byelaws and current water regulations.

Access to our products for installation, service or repair and costs relating to this is the owners or installers' responsibility.

Parts are guaranteed for five years and will be replaced if found faulty.

This guarantee does not cover general wear and tear.

Applies to the UK and Republic of Ireland only.

CUSTOMER CARE HELPLINE
0870 1258905
FAX LINE 01482 499611
email: ukcustcare@IdealStandard.com

We pursue a policy of continuing improvement in design and performance of our products. The right is, therefore, reserved to vary specifications without notice.