

**DEWALT®**

**[www.DEWALT.com](http://www.DEWALT.com)**

**DCF6202**



Fig. A

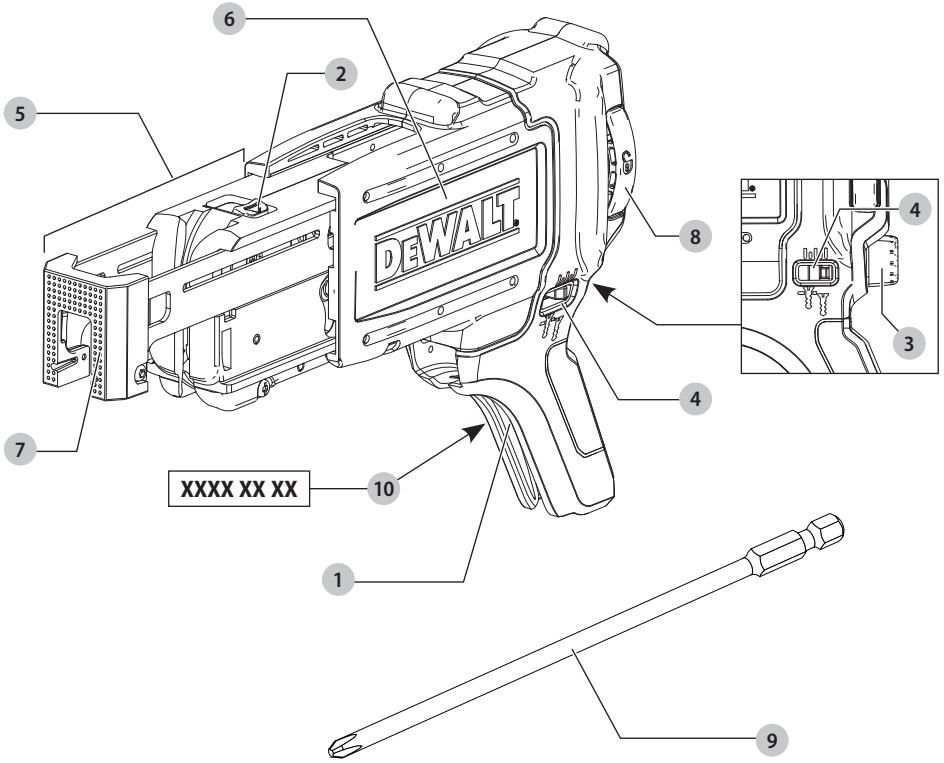


Fig. B

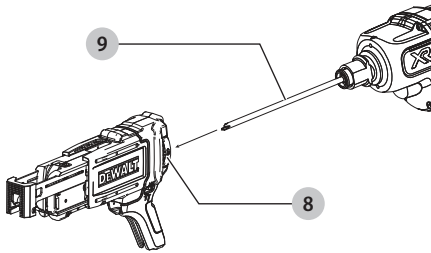


Fig. C

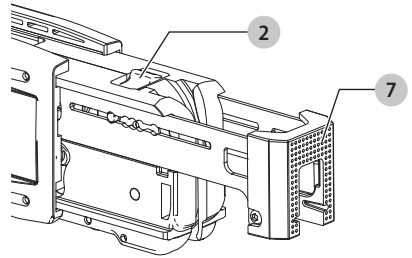


Fig. D

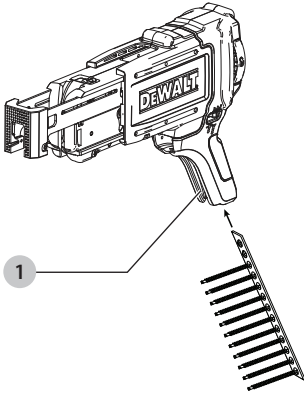


Fig. E

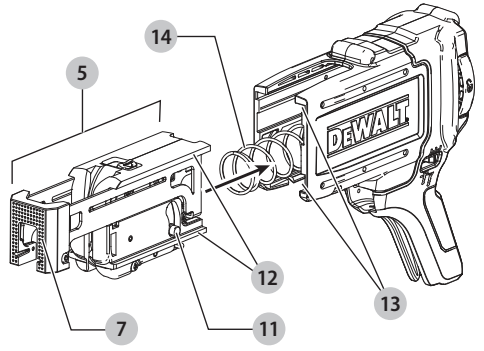
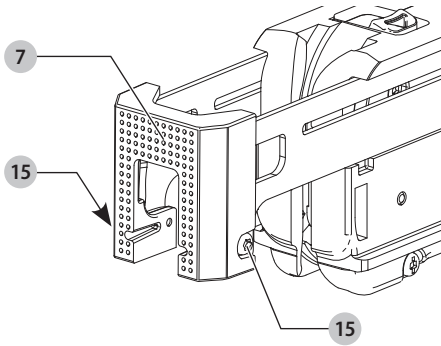


Fig. F



# COLLATED MAGAZINE ATTACHMENT

## DCF6202

### Congratulations!

You have chosen a DEWALT tool. Years of experience, thorough product development and innovation make DEWALT one of the most reliable partners for professional power tool users.

### Technical Data

		DCF6202
Screw length suitability	mm	25–57
Weight	kg	0.45



**WARNING:** To reduce the risk of injury, read the instruction manual.

### Definitions: Safety Guidelines

The definitions below describe the level of severity for each signal word. Please read the manual and pay attention to these symbols.



**DANGER:** Indicates an imminently hazardous situation which, if not avoided, **will** result in **death or serious injury**.



**WARNING:** Indicates a potentially hazardous situation which, if not avoided, **could** result in **death or serious injury**.



**CAUTION:** Indicates a potentially hazardous situation which, if not avoided, **may** result in **minor or moderate injury**.

**NOTICE:** Indicates a practice **not related to personal injury** which, if not avoided, **may** result in **property damage**.



Denotes risk of electric shock.



Denotes risk of fire.

### General Power Tool Safety Warnings



**WARNING:** Read all safety warnings, instructions, illustrations and specifications provided with this power tool. Failure to follow all instructions listed below may result in electric shock, fire and/or serious injury.

**SAVE ALL WARNINGS AND INSTRUCTIONS FOR FUTURE REFERENCE**

### Additional Specific Safety Rules for Collated Magazine Attachment

- The collated magazine is to only be used with the DEWALT DCF620 screwdriver.
- Observe all operating instructions and safety regulations contained in the manual for the screwdriver the magazine accessory is used with.
- Before use, ensure that the magazine accessory is properly attached to the tool.

- Avoid body contact with earthed or grounded surfaces such as pipes, radiators, ranges and refrigerators. There is an increased risk of electric shock if your body is earthed or grounded.
- Disconnect the battery pack from the power tool before making any adjustments, changing accessories, or storing power tools. Such preventive safety measures reduce the risk of starting the power tool accidentally.
- When driving screws, never reach into the magazine accessory. Keep hands clear of the advancing mechanism and the spot where the screw is being driven.
- Do not use the magazine accessory as a gripping surface.
- Hold power tool by insulated gripping surfaces, when performing an operation where the fastener may contact hidden wiring. Fasteners contacting a "live" wire may make exposed metal parts of the power tool "live" and could give the operator an electric shock.
- Use only screw strips that are suitable to this magazine. Only insert screw strips when the battery is disconnected from the screwdriver and the trigger is locked.



**WARNING:** We recommend the use of a residual current device with a residual current rating of 30mA or less.

### Residual Risks

In spite of the application of the relevant safety regulations and the implementation of safety devices, certain residual risks cannot be avoided. These are:

- Impairment of hearing.
- Risk of personal injury due to flying particles.
- Risk of burns due to accessories becoming hot during operation.
- Risk of personal injury due to prolonged use.

**SAVE THESE INSTRUCTIONS**

### Package Contents

The package contains:

- 1 Collated magazine attachment
  - 1 PR2 collated screwdriver bit
  - 1 Instruction manual
- Check for damage to the tool, parts or accessories which may have occurred during transport.
  - Take the time to thoroughly read and understand this manual prior to operation.

## Markings on Tool

The following pictograms are shown on the tool:



Read instruction manual before use.



Wear ear protection.



Wear eye protection.

## Date Code Position (Fig. A)

The date code **10**, which also includes the year of manufacture, is printed into the housing.

Example:

2021 XX XX  
Year of Manufacture

## Description (Fig. A)



**WARNING:** Never modify the power tool or any part of it. Damage or personal injury could result.

- 1 Screw guide
- 2 Screw length adjustment
- 3 Fine depth adjustment knob
- 4 Fine depth adjustment indicator
- 5 Advancing mechanism
- 6 Collated housing
- 7 Shoe
- 8 Release buttons
- 9 Collated screwdriver bit

## Intended Use

This collated drywall magazine is a professional attachment designed to be used with the DCF620 DeWALT screwdriver for professional driving of collated screws.

**DO NOT** use under wet conditions or in the presence of flammable liquids or gases.

**DO NOT** let children come into contact with the tool.

Supervision is required when inexperienced operators use this tool.

- **Young children and the infirm.** This appliance is not intended for use by young children or infirm persons without supervision.
- This product is not intended for use by persons (including children) suffering from diminished physical, sensory or mental abilities; lack of experience, knowledge or skills unless they are supervised by a person responsible for their safety. Children should never be left alone with this product.

## ASSEMBLY AND ADJUSTMENTS



**WARNING:** To reduce the risk of serious personal injury, turn tool off and disconnect tool from power source before making any adjustments or removing/installing attachments or accessories. An accidental start-up can cause injury.

## Fitting the Collated Screwdriver Bit (Fig. A, B)

**NOTICE:** For proper operation only use a DeWALT collated screwdriver bit.

1. Remove the nose cone from the screwdriver.
2. Remove the mounted bit and bit holder from the screwdriver.

**NOTE:** Refer to and follow all instructions on changing bits and holders in your screwdriver manual.

3. Insert the provided collated screwdriving bit **9** into the bit holder until it clicks into place.

## Installing and Removing the Magazine from the Screwdriver (Fig. B)

With the the nose cone removed and provided driver bit **9** installed, push the magazine over the bit onto the screwdriver until the magazine clicks into place and ensure that it does not disengage.

**NOTE:** If necessary, rotate the attachment to locate properly on mount.

**NOTE:** Make sure the screwdriver control lever is set to forward rotation before use.

To remove the magazine, press and hold the release buttons **8** on both sides of the accessory and pull accessory off the screwdriver.

## OPERATION

### Instructions for Use



**WARNING:** Always observe the safety instructions and applicable regulations.



**WARNING:** To reduce the risk of serious personal injury, turn tool off and disconnect tool from power source before making any adjustments or removing/installing attachments or accessories. An accidental start-up can cause injury.

## Setting Magazine Screw Length (Fig. C)

This magazine is designed for 25–57 mm screw lengths. Failure to set the correct screw length can cause screws to not be driven accurately which can result in the failure to advance to the next screw or screws not being driven properly. The shoe has marked specific slots for each of the most common screws, however this attachment can still drive any size screw between 25–57 mm. To accommodate for less common screws adjust to the next longest slot.



**CAUTION:** Do not adjust while a screw strip is in the magazine.

1. Slide screw length adjustment tab **2** to the left.
2. Holding the screw length adjustment tab in place, adjust the shoe **7** to the desired length.
3. Release the screw length adjustment tab. Make sure that the locking pin has fully returned and is in the correct position.

## Inserting Collated Screw Strips (Fig. D)

**NOTICE:** Use only screw strips that are suitable to this magazine. Only insert screw strips when the screwdriver power is off and the trigger is locked.

Proper use of collated strips will reduce the risk of injury, reduce jams and prevents screws from damaging workpiece. For best performance use new, undamaged strips free of debris.

1. Take a collated strip, holding the plastic portion, and feed from the bottom of the screw guide **1** and into the bottom of the advancing mechanism **5**.
2. Continue feeding the strip until the first screw is one slot below the driver bit.

## Setting Screw Depth (Fig. A)

Turn fine depth adjustment **3** counterclockwise (as viewed from behind the tool) to make the screw head stop raised from the workpiece.

Turn fine depth adjustment **3** clockwise to make the screw head stop deeper into the workpiece.

There is a fine depth adjustment indicator **4** to show where in the adjustment range the tool is. When the slider is furthest from the tool the screw head will stop in the most raised position. When the slider is closest to the screwdriver tool the screw head will stop in its deepest position.

## Driving Screws (Fig. A)

1. Before driving screws, ensure screwdriver drive direction is switched to forward position.

**NOTE:** Always hold the screwdriver perpendicular to workpiece.

2. With the magazine installed on the screwdriver, position shoe **7** on workpiece in location where screw is to be driven.
3. Switch the screwdriver on by holding the trigger in the on position. Continue to hold trigger or engage the trigger lock-on.
4. Apply pressure against workpiece. This will advance screw into alignment with screwdriver bit.
5. Continue to apply consistent pressure until screw is driven in completely and screwdriver clutches disengage.
6. Lift screwdriver from workpiece.

The magazine is designed to drive screws completely into workpiece only. Once screwdriver is lifted, adjustments to screw must be made by first removing magazine.

## Rotating the Collated Attachment

This attachment has the ability to rotate without being taken off the drywall screwdriver. To rotate, grip the top portion with one hand, while holding the drywall screwdriver with the other then rotate. An audible "click" indicates the magazine is in each of the available positions.

## MAINTENANCE

Your power tool has been designed to operate over a long period of time with a minimum of maintenance. Continuous satisfactory operation depends upon proper tool care and regular cleaning.



**WARNING:** To reduce the risk of serious personal injury, turn tool off and disconnect tool from power source before making any adjustments or removing/installing attachments or accessories. An accidental start-up can cause injury.



### Lubrication

Your power tool requires no additional lubrication.



### Cleaning



**WARNING:** Blow dirt and dust out of the main housing with dry air as often as dirt is seen collecting in and around the air vents. Wear approved eye protection and approved dust mask when performing this procedure.



**WARNING:** Never use solvents or other harsh chemicals for cleaning the non-metallic parts of the tool. These chemicals may weaken the materials used in these parts. Use a cloth dampened only with water and mild soap. Never let any liquid get inside the tool; never immerse any part of the tool into a liquid.

### For best performance clean magazine by:

1. Remove advancing mechanism from collated magazine (refer to **Removing and Installing the Advancing Mechanism** instructions).
2. Using compressed air and a clean cloth, clean all visible areas and cavities from dust. Wipe clean as needed on both the advancing mechanism and collated housing.
3. Reassemble and continue use.

## Removing and Installing the Advancing Mechanism (Fig. E)



**CAUTION:** The advancing mechanism is spring loaded. Two hands must be used to remove the advancing mechanism. The spring may eject from the mechanism.

### To Remove Advancing Mechanism

1. Remove collated magazine attachment from screwdriver.
2. Slightly depress advancing mechanism **5** by pushing on the shoe **7** with one hand.
3. Keeping pressure on the shoe **7** pull down on the release lever **11** so that the pins rotate out of the guide track.
4. Slowly release pressure from the shoe **7** until the advancing mechanism is out of the collated housing **6**.

### To Install Advancing Mechanism

1. With the collated magazine attachment removed from screwdriver, align the tabs **12** on the shoe with the slots **13** in the collated housing.
2. Push in slightly, then align the spring **14** with the pocket in the advancing mechanism.
3. Push advancing mechanism in until you hear the “click” of the service button. The release lever **11** should click into place in its slot. You may need to pull down on the lever to help it if it does not click in place.

**NOTE:** The release lever **11** should be in the down position (as shown in Figure E) before the advancing mechanism is installed. If in the up position, the advancing mechanism will be locked in place.

4. Cycle the advancing mechanism several times by hand to ensure proper function before installing it onto your screwdriver for use.

### Removable Shoe (Fig. F)

Removing the shoe allows closer access to corners.

1. To remove shoe **7** on front of the unit, remove the two screws **15** using a T10 Torx. Pull shoe straight off to remove.
2. To reinstall, push shoe onto advancing mechanism until screw holes line up. Reinstall screws.

### Optional Accessories



**WARNING:** *Since accessories, other than those offered by DEWALT, have not been tested with this product, use of such accessories with this tool could be hazardous. To reduce the risk of injury, only DEWALT recommended accessories should be used with this product.*

Consult your dealer for further information on the appropriate accessories.

- PH2 Extended Bit x 5 - DT20425

### Protecting the Environment



Separate collection. Products marked with this symbol must not be disposed of with normal household waste.

Products contain materials that can be recovered or recycled reducing the demand for raw materials.

Please recycle electrical products according to local provisions. Further information is available at [www.2helpU.com](http://www.2helpU.com).









<b>Belgique et Luxembourg België en Luxemburg</b>	DeWALT - Belgium BVBA Egide Walschaertsstraat 16 2800 Mechelen	Tel: NL 32 15 47 37 63 Tel: FR 32 15 47 37 64 Fax: 32 15 47 37 99	www.dewalt.be enduser.BE@sbdinc.com
<b>Danmark</b>	DeWALT (Stanley Black&Decker AS) Roskildevej 22 2620 Albertslund	Tel: 70 20 15 10 Fax: 70 22 49 10	www.dewalt.dk kundeservice.dk@sbdinc.com
<b>Deutschland</b>	DeWALT Richard Klingler Str. 11 65510 Idstein	Tel: 06126-21-0 Fax: 06126-21-2770	www.dewalt.de infodwge@sbdinc.com
<b>Ελλάς</b>	DeWALT (Ελλάς) A.E. ΕΔΡΑ-ΓΡΑΦΕΙΑ : Στραβίωνος 7 & Α. Βουλιαγμένης, Γλυφάδα 166 74, Αθήνα SERVICE : Ημερος 10νος 2 (Χάρι Αόδου) – 193 00 Ασπρόπυργος	Τηλ: 00302108981616 Φαξ: 00302108983570	www.dewalt.gr Greece.Service@sbdinc.com
<b>España</b>	DeWALT Ibérica, S.C.A. Parc de Negocios "Mas Blau" Edificio Muntadas, c/Bergadà, 1, Of. A6 08820 El Prat de Llobregat (Barcelona)	Tel: 934 797 400 Fax: 934 797 419	www.dewalt.es respuesta.postventa@sbdinc.com
<b>France</b>	DeWALT (Stanley Black & Decker France SAS) 62 Chemin de la Bruyère CS 60105, 69574 DARDILLY Cedex	Tel: 04 72 20 39 20 Fax: 04 72 20 39 00	www.dewalt.fr scufi@sbdinc.com
<b>Schweiz Suisse Svizzera</b>	DeWALT In der Luberzen 42 8902 Urdorf	Tel: 044 - 755 60 70 Fax: 044 - 730 70 67	www.dewalt.ch service@rofoag.ch
<b>Ireland</b>	DeWALT Building 4500, Kinsale Road Cork Airport Business Park Cork, Ireland	Tel: 00353-2781800 Fax: 01278 1811	www.dewalt.ie Sales.Ireland@sbdinc.com
<b>Italia</b>	DeWALT via Energypark 6 20871 Vimercate (MB), IT	Tel: 800-014353 39 039-9590200 Fax: 39 039-9590311	www.dewalt.it
<b>Nederlands</b>	DeWALT Netherlands BVPostbus 83, 6120 AB BORN	Tel: 31 164 283 063 Fax: 31 164 283 200	www.dewalt.nl
<b>Norge</b>	DeWALT Postboks 4613 0405 Oslo, Norge	Tel: 45 25 13 00 Fax: 45 25 08 00	www.dewalt.no kundeservice.no@sbdinc.com
<b>Österreich</b>	DeWALT Werkzeug Vertriebsges m.b.H Oberlaaerstrasse 248, A-1230 Wien	Tel: 01 - 66116 - 0 Fax: 01 - 66116 - 614	www.dewalt.at service.austria@sbdinc.com
<b>Portugal</b>	DeWALT Ed. D Dinis, Quina da Fonte Rua dos Malhoes 2 2A 2º Esq. Oeiras e S. Juliao da Barra, paço de Arcos e Caxias 2770 071 Paço de Arcos	Tel: +351 214667500 Fax: +351214667580	www.dewalt.pt resposta.posvenda@sbdinc.com
<b>Suomi</b>	DeWALT PL47 00521 Helsinki, Suomi	Puh: 010 400 4333 Faksi: 0800 411 340	www.dewalt.fi asiakaspalvelu.fi@sbdinc.com
<b>Sverige</b>	DeWALT BOX 94 43122 Mölndal Sverige	Tel: 031 68 61 60 Fax: 031 68 60 08	www.dewalt.se kundservice.se@sbdinc.com
<b>Türkiye</b>	Sanayi ve Ticaret Bakanlığı tebliğince kullanım ömrü 7 yıldır. Stanley Black & Decker Turkey Alet Üretim San. Tic. Ltd.Şti. AND Kozyatağı – İçerenköy Mah. Umut Sok. AND Ofis Sit. No: 10-12 / 82-83-84 Ataşehir/İstanbul, Türkiye	Tel: +90 216 665 2900 Faks: +90 216 665 2901	www.dewalt.com.tr support@dewalt.com.tr
<b>United Kingdom</b>	DeWALT, 270 Bath Road; Slough, Berks SL1 4DX	Tel: 01753-567055 Fax: 01753-572112	www.dewalt.co.uk emeaservice@sbdinc.com
<b>Australia</b>	DeWALT 810 Whitehorse Road Box Hill VIC 3128 Australia	Tel: Aust 1800 338 002 Tel: NZ 0800 339 258	www.dewalt.com.au www.dewalt.co.nz
<b>Middle East Africa</b>	DeWALT P.O. Box - 17164, Jebel Ali Free Zone (South), Dubai, UAE	Tel: 971 4 812 7400 Fax: 971 4 2822765	www.dewalt.ae support@dewalt.ae