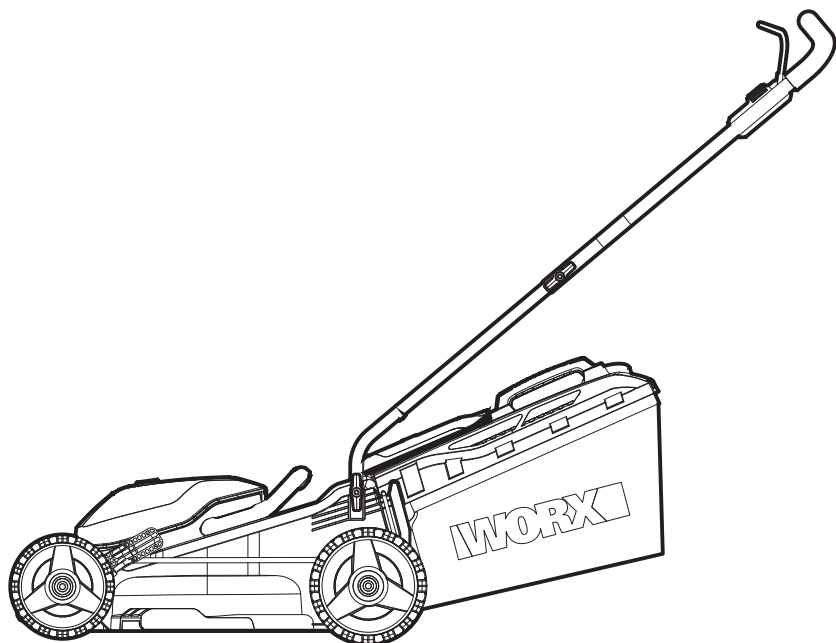


# **WORX**



## **SAFETY AND OPERATING MANUAL**

### **ORIGINAL INSTRUCTIONS**

**Cordless Lawn Mower**  
**WG779E WG779E.X**

## **PRODUCT SAFETY GENERAL SAFETY WARNINGS**

 **WARNING! Read all safety warnings and all instructions.** Failure to follow the warnings and instructions may result in electric shock, fire and/or serious injury.

**Carefully read the instructions for the safe operation of the machine.**

**Save all warnings and instructions for future reference.**

- This appliance is not intended for use by persons (including children) with reduced physical, sensory or mental capabilities, or lack of experience and knowledge, unless they have been given supervision or instruction concerning use of the appliance by a person responsible for their safety.
- Children should be supervised to ensure that they do not play with the appliance.
- The appliance is only to

be used with the power supply unit provided with the appliance.

## **IMPORTANT READ CAREFULLY BEFORE USE KEEP FOR FUTURE REFERENCE Safe operation practices TRAINING**

- a) Read the instructions carefully. Be familiar with the controls and the proper use of the equipment;
- b) Never allow children or people unfamiliar with these instructions to use the lawnmower. Local regulations can restrict the age of the operator;
- c) Never mow while people, especially children, or pets are nearby;
- d) Keep in mind that the operator or user is responsible for accidents or hazards occurring to other people or their property.

## **PREPARATION**

- a) While mowing, always wear substantial footwear and long trousers. Do not operate

**Cordless Lawn Mower  
WG779E WG779E.X**

- the equipment when barefoot or wearing open sandals;
- b) thoroughly inspect the area where the equipment is to be used and remove all objects which can be thrown by the machine;
- c) Before using, always visually inspect to see that the blades, blade bolts and cutter assembly are not worn or damaged. Replace worn or damaged blades and bolts in sets to preserve balance;
- d) On multi-bladed machines, take care as rotating one blade can cause other blades to rotate.
- f) exercise extreme caution when changing direction on slopes;
- g) do not mow excessively steep slopes;
- h) use extreme caution when reversing or pulling the lawnmower towards you;
- i) stop the blade(s) if the lawnmower has to be tilted for transportation when crossing surfaces other than grass, and when transporting the lawnmower to and from the area to be mowed;
- j) never operate the lawnmower with defective guards, or without safety devices, for example deflectors and/or grass catchers, in place;

## **OPERATION**

- a) mow only in daylight or in good artificial light;
- b) avoid operating the equipment in wet grass, where feasible;
- c) always be sure of your footing on slopes;
- d) walk, never run;
- e) for wheeled rotary machines, mow across the face of slopes, never up and down;
- k) switch on the motor carefully according to instructions and with feet well away from the blade(s);
- l) do not tilt the lawnmower when switching on the motor, except if the lawnmower has to be tilted for starting. In this case, do not tilt it more than absolutely necessary and lift only

- the part which is away from the operator;
- m) do not put hands or feet near or under rotating parts. Keep clear of the discharge opening at all times;
  - n) not to touch the blades before the disabling device has been removed and the blades have come to a complete stop;
  - o) Do not start the lawnmower when standing in front of the discharge opening.
  - p) Do not transport the lawnmower while the power source is running.
  - q) Stop the lawnmower, and remove the disabling device. Make sure that all moving parts have come to a complete stop.
    - whenever leaving the machine unattended,
    - before clearing a blockage,
    - before checking, cleaning or working on the machine,
    - after striking a foreign object. Inspect the machine for damage and make repairs before restarting and operating the lawnmower

If the lawnmower starts to vibrate abnormally (check immediately)

- inspect for damage.
- replace or repair any damaged parts.
- check and tighten any loose parts.

## **MAINTENANCE AND STORAGE**

- a) Keep all nuts, bolts and screws tight to be sure the equipment is in safe working condition;
- b) Check the grass catcher frequently for wear or deterioration;
- c) Replace worn or damaged parts for safety. Use only genuine replacement parts and accessories.
- d) Be careful during adjusting of the lawnmower to prevent entrapment of the fingers between moving blades and fixed parts of the lawnmower.
- e) Always allow the lawnmower to cool down before storing.
- f) When servicing the blades be aware that, even though the power source is switched off, the

- blades can still be moved.
- g) For rotary mowers, ensure that only replacement cutting means of the right type are used.

## **SAFETY WARNINGS FOR BATTERY PACK**

- a) **Do not dismantle, open or shred cells or battery pack.**
- b) **Do not short-circuit a battery pack. Do not store battery packs haphazardly in a box or drawer where they may short-circuit each other or be short-circuited by conductive materials. When battery pack is not in use, keep it away from other metal objects, like paper clips, coins, keys, nails, screws or other small metal objects, that can make a connection from one terminal to another. Shorting the battery terminals together may cause burns or a fire.**
- c) **Do not expose battery pack to heat or fire. Avoid storage in direct sunlight.**

- d) **Do not subject battery pack to mechanical shock.**
- e) **In the event of battery leaking, do not allow the liquid to come into contact with the skin or eyes. If contact has been made, wash the affected area with copious amounts of water and seek medical advice.**
- f) **Keep battery pack clean and dry.**
- g) **Wipe the battery pack terminals with a clean dry cloth if they become dirty.**
- h) **Battery pack needs to be charged before use. Always refer to this instruction and use the correct charging procedure.**
- i) **Do not maintain battery pack on charge when not in use.**
- j) **After extended periods of storage, it may be necessary to charge and discharge the battery pack several times to obtain maximum performance.**
- k) **Recharge only with the charger specified**

**by Worx. Do not use any charger other than that specifically provided for use with the equipment.**

**l) Do not use any battery pack which is not designed for use with the equipment.**

**m) Keep battery pack out of the reach of children.**

**n) Retain the original product literature for future reference.**









**o) Remove the battery from the equipment when not in use.**

**p) Dispose of properly.**






**q) Do not mix cells of different manufacture, capacity, size or type within a device.**

**r) Keep the battery away from microwaves and high pressure.**

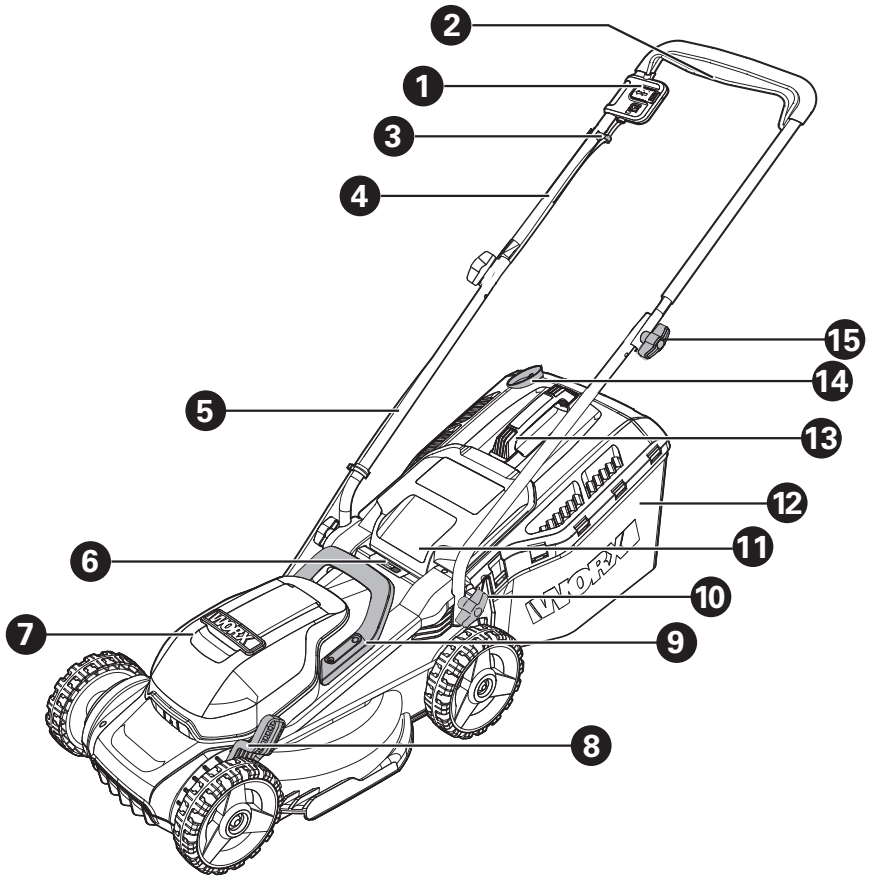
## SYMBOLS

	<p>Read instruction handbook before operation this machine</p>
	<p>Keep bystanders away</p>
	<p>Beware of sharp blades. Blades continue to rotate after the motor is switched off- Remove disabling device before maintenance.</p>
	<p>Batteries may enter water cycle if disposed improperly, which can be hazardous for ecosystem. Do not dispose of waste batteries as unsorted municipal waste.</p>
	<p>Do not burn</p>
	<p>Li-Ion battery This product has been marked with a symbol relating to 'separate collection' for all battery packs and battery pack. It will then be recycled or dismantled in order to reduce the impact on the environment. Battery packs can be hazardous for the environment and for human health since they contain hazardous substances.</p>
	<p>Li-Ion battery This product has been marked with a symbol relating to 'separate collection' for all battery packs and battery pack. It will then be recycled or dismantled in order to reduce the impact on the environment. Battery packs can be hazardous for the environment and for human health since they contain hazardous substances.</p>
	<p>Wear protective gloves</p>

**Cordless Lawn Mower  
WG779E WG779E.X**

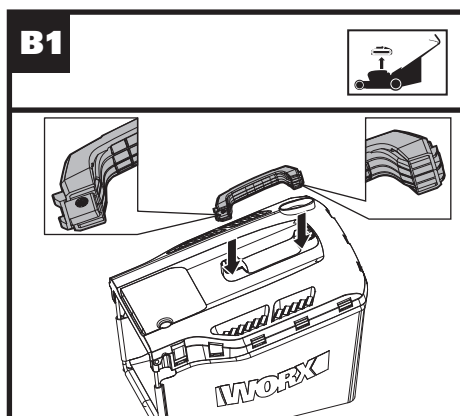
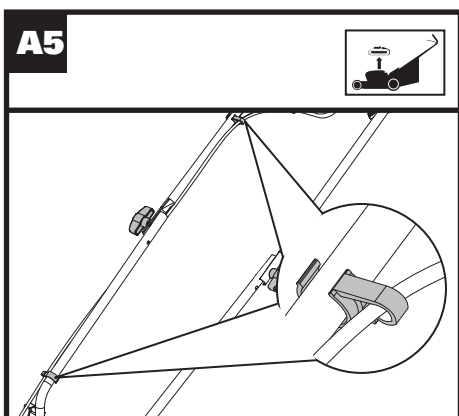
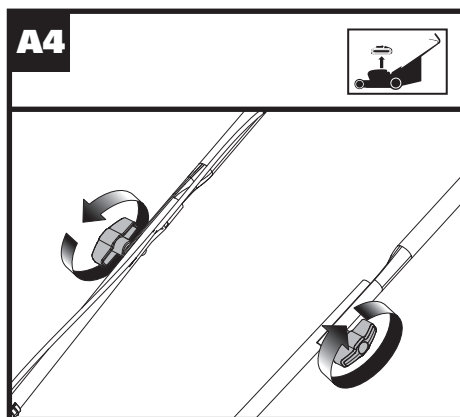
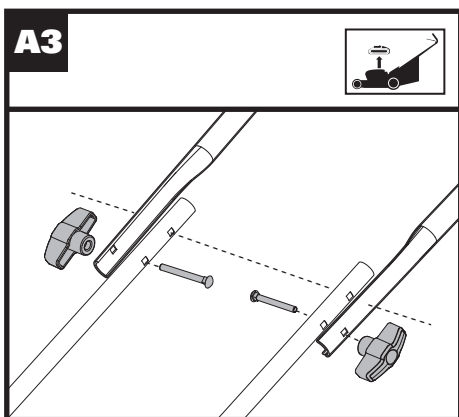
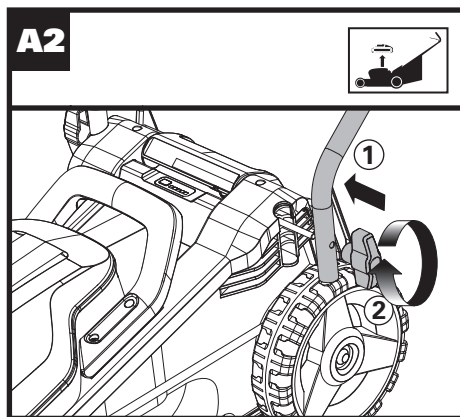
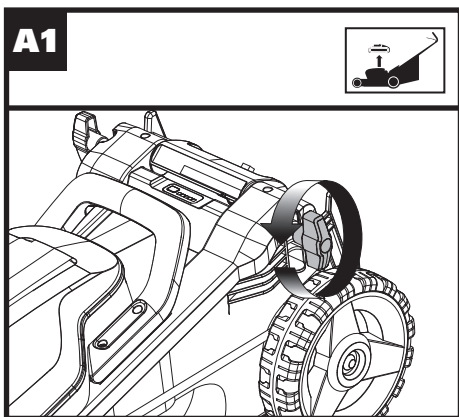
	<p>Remove battery from the socket before carrying out any adjustment, servicing or maintenance.</p>
	<p>Blade continues to rotate after the machine is switched off. Wait until all machine components have completely stopped before touching them</p>
	<p>Remove the key</p>
	<p>RCM marking</p>
	<p><b>ABN:</b> Australian Business Number. By this number, business information such as entity type, status, business location etc. can be found at website <a href="http://abr.business.gov.au">http://abr.business.gov.au</a>. ABN of Positec Australia Pty Limited is 14 101 682 357.</p>
	<p>Waste electrical products must not be disposed of with household waste. Please recycle where facilities exist. Check with your local authorities or retailer for recycling advice.</p>

# Cordless Lawn Mower WG779E WG779E.X

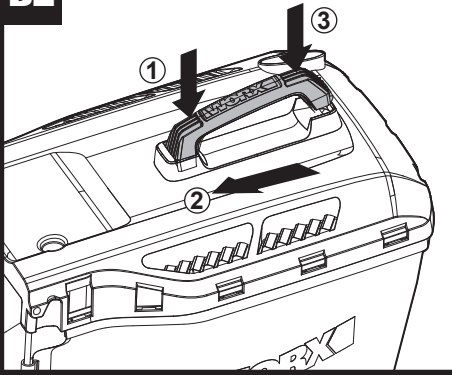
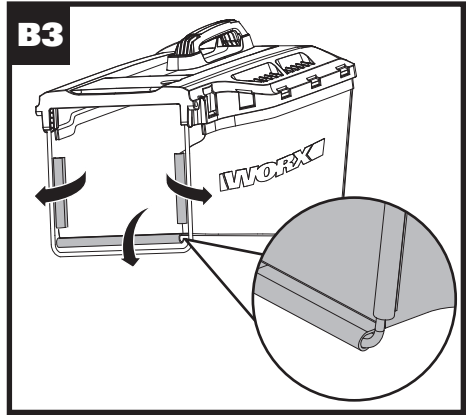
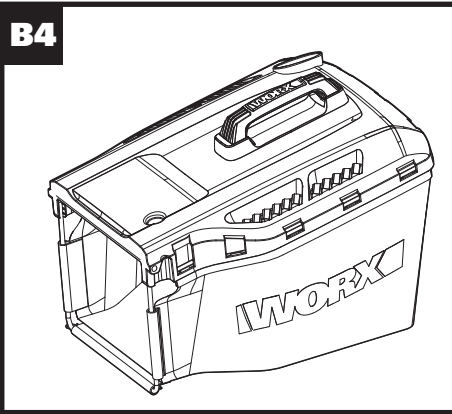
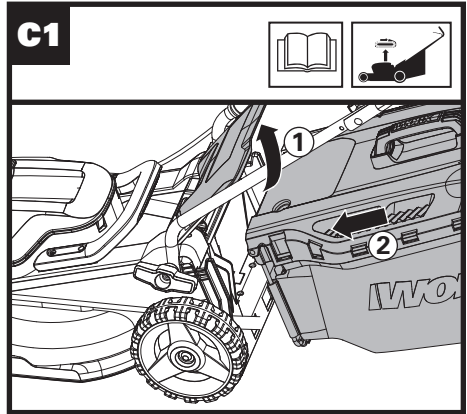
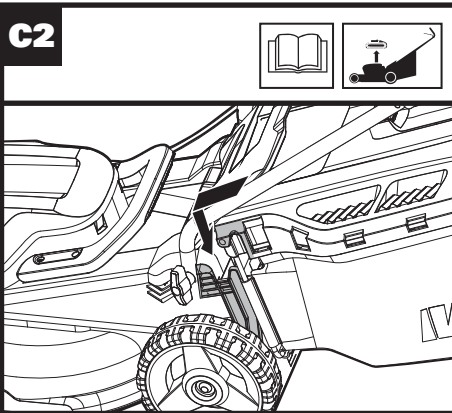
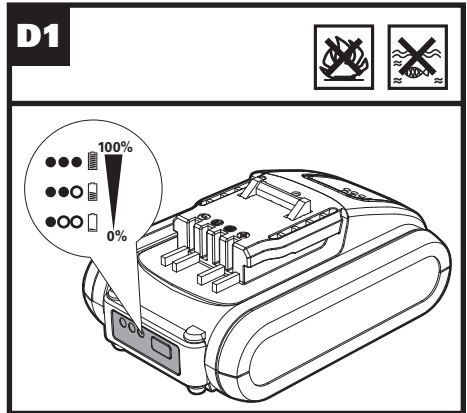


# Cordless Lawn Mower WG779E WG779E.X

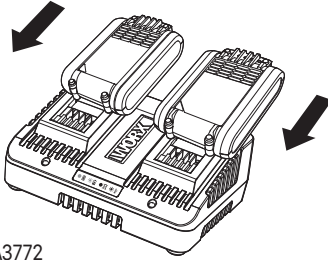




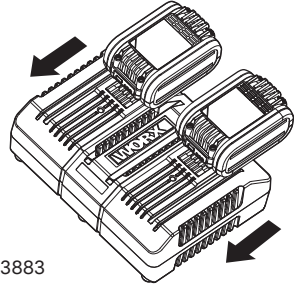
# Cordless Lawn Mower WG779E WG779E.X

**B2****B3****B4****C1****C2****D1**

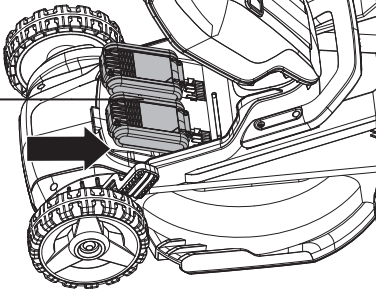
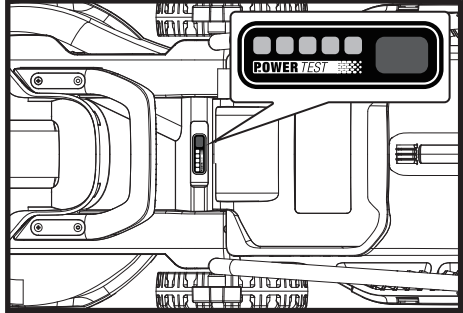
# Cordless Lawn Mower WG779E WG779E.X

**D2**

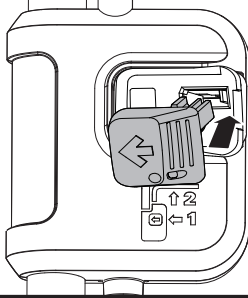
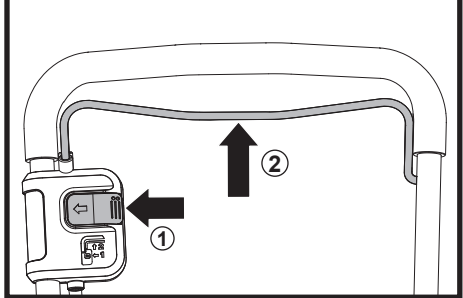
For WA3772

**D3**

For WA3883

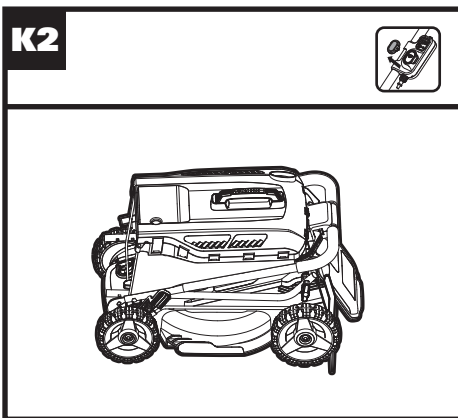
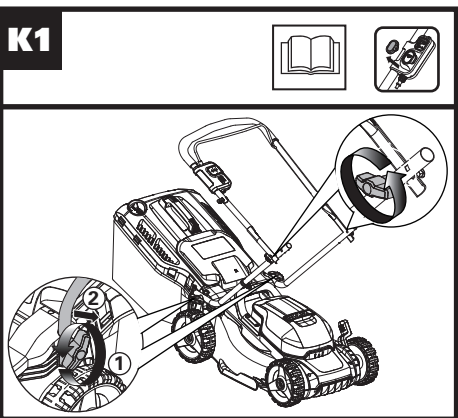
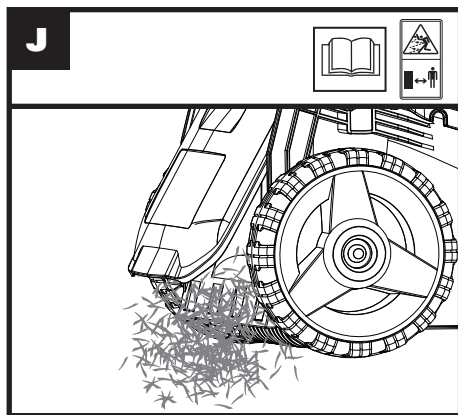
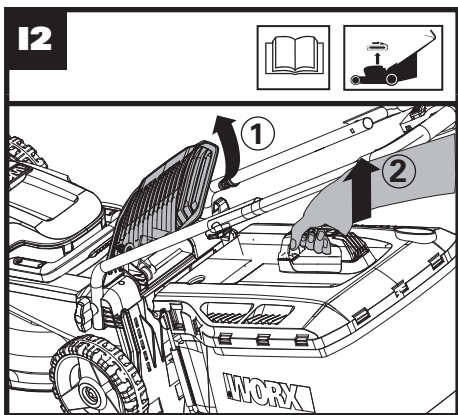
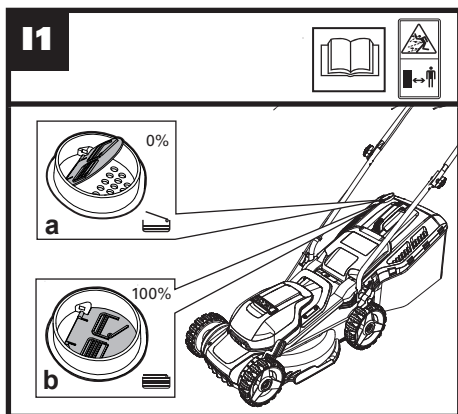
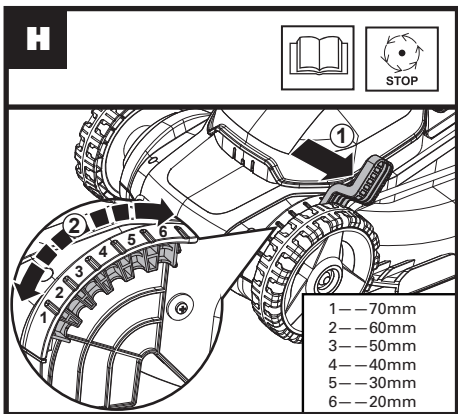
**E****16****F**

11

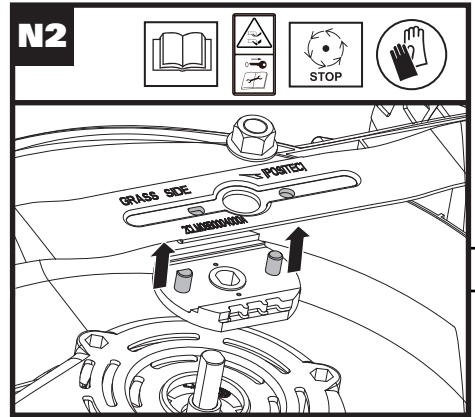
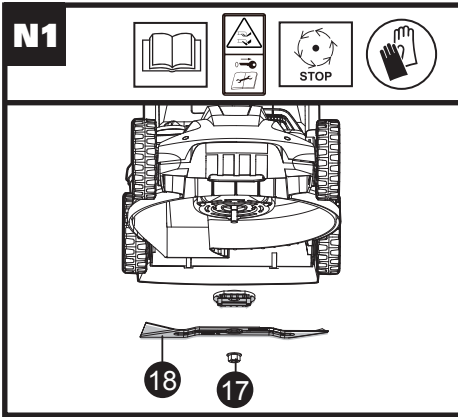
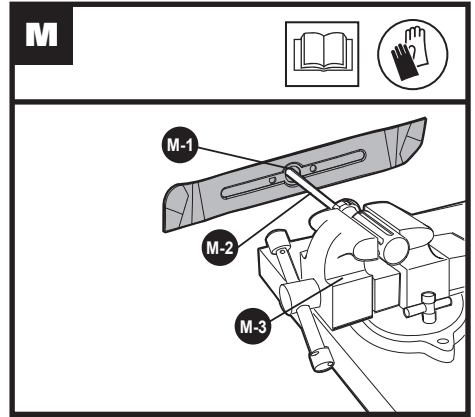
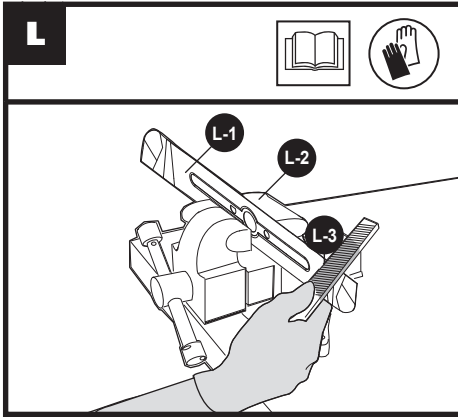
**G1****G2**

# Cordless Lawn Mower

## WG779E WG779E.X



# Cordless Lawn Mower WG779E WG779E.X



# Cordless Lawn Mower WG779E WG779E.X

# COMPONENT LIST

<b>1. SAFETY KEY</b>
<b>2. SWITCH LEVER</b>
<b>3. CABLE CLIP</b>
<b>4. UPPER HANDLE</b>
<b>5. LOWER HANDLE</b>
<b>6. BATTERY POWER INDICATOR</b>
<b>7. BATTERY PACK COVER</b>
<b>8. CUTTING HEIGHT ADJUSTMENT KNOB</b>
<b>9. CARRY HANDLE</b>
<b>10. HANDLE KNOB, LOWER</b>
<b>11. SAFETY FLAP</b>
<b>12. GRASS COLLECTION BAG</b>
<b>13. BAG HANDLE</b>
<b>14. GRASS BAG INDICATOR</b>
<b>15. HANDLE KNOB, UPPER</b>
<b>16. BATTERY PACK*(SEE FIG. E)</b>
<b>17. BLADE BOLT (SEE FIG. N1)</b>
<b>18. BLADE (SEE FIG. N1)</b>

**\*Not all the accessories illustrated or described are included in standard delivery.**

## TECHNICAL DATA

Type **WG779E WG779E.X (770-789 - designation of machinery, representative of Cordless Lawn Mower)**

	<b>WG779E WG779E.X**</b>
Rated voltage	40V $\overline{\text{---}}$ Max. (2x20V Max.)***
No load speed	3300 / 3500/min
Cutting diameter	34cm
Cutting height	20-70mm
Cutting height positions	6
Front wheel diameter	160mm
Rear wheel diameter	180mm
Grass collection capacity	30L

Battery type	Lithium-Ion
Machine Weight (bare tool)	10.4 kg

\*\* X=1-999, A-Z, M1-M9 there are only used for different customers, there are no safe relevant changes between these models.

\*\*\*Voltage measured without workload. Initial battery voltage reaches maximum of 20 volts. Nominal voltage is 18 volts.

Category	Type	Capacity
20V Battery	WA3551	2.0 Ah
	WA3572	2.5 Ah
	WA3553	4.0 Ah
	WA3014	4.0 Ah
20V Charger	WA3772	2.0 A
	WA3883	4.0 A

We recommend that you purchase your accessories from the same store that sold you the tool. Refer to the accessory packaging for further details. Store personnel can assist you and offer advice.

## NOISE DATA

A weighted sound pressure  $L_{pA}$ : 76.5dB(A)  
 $K_{pA}$ : 3dB(A)

A weighted sound power  $L_{wA}$ : 87.76dB(A)  
 $L_{wA}$ : 3dB(A)

Wear ear protection.



## VIBRATION INFORMATION

Typical weighted vibration	$a_n = 3.246 \text{m/s}^2$ uncertainty $K=1.5 \text{m/s}^2$
----------------------------	--



**WARNING:** The vibration emission value during actual use of the power tool can differ from the declared value depending on the ways in which the tool is used dependant on the following examples and other variations on how the tool is used:


How the tool is used and the materials being cut or drilled.

The tool being in good condition and well maintained  
Using the correct accessory for the tool and ensuring it is sharp and in good condition.

# Cordless Lawn Mower WG779E WG779E.X

The tightness of the grip on the handles and if any anti vibration accessories are used.  
And the tool is being used as intended by its design and these instructions.

**This tool may cause hand-arm vibration syndrome if its use is not adequately managed**

 **WARNING:** To be accurate, an estimation of exposure level in the actual conditions of use should also take account of all parts of the operating cycle such as the times when the tool is switched off and when it is running idle but not actually doing the job. This may significantly reduce the exposure level over the total working period.

Helping to minimise your vibration exposure risk. ALWAYS use sharp chisels, drills and blades Maintain this tool in accordance with these instructions and keep well lubricated (where appropriate)  
If the tool is to be used regularly then invest in anti vibration accessories.  
Plan your work schedule to spread any high vibration tool use across a number of days.

**OPERATION INSTRUCTION**



**NOTE:** Read instruction handbook before operation this machine.

**INTENDED USE**

This product is intended for domestic lawn mowing.

**ASSEMBLY AND OPERATION**

ACTION	FIGURE
<b>ASSEMBLY</b>	
Assembling the handle bar <b>NOTE:</b> Choose one of the two holes in the lower handle for desired handle's height.	See Fig. A1, A2, A3, A4, A5
Assembling grass collection bag	See Fig. B1, B2, B3, B4
Fitting grass collection bag to the lawn mower <b>NOTE:</b> Depress the grass collection bag slightly to ensure that it is completely installed.	See Fig. C1, C2, C3
Checking the battery charge condition <b>NOTE:</b> Fig. D1 only applies for the battery pack with battery indicator light.	See Fig. D1

Charging the battery pack  
**NOTE:** The batteries are shipped uncharged. Each battery must be fully charged before the first mow. Always fully charge the two batteries at same time. More details can be found in charger's manual.

See Fig. D2, D3

Fitting/removing battery  
**NOTE: This machine will only run when 2 batteries are installed.**  
**Please always use two batteries with the same capacity and fully charge the two batteries.**  
**When you use two batteries with different power, the machine will only run to the lower common denominator.**


See Fig. E

**OPERATION**



Battery power indicator on the machine  
See details in BATTERY STATUS part  
**IMPORTANT**  
**When only one light is illuminated, at least one battery is depleted and needs to be charged, even though the mower may still be capable of cutting grass. Continuing to operate your lawnmower with the battery in this discharged condition may reduce the life and performance of your battery.**  
**When no light is illuminated, at least one battery is not fully installed or battery may be defective, please double check the batteries are fully seated into position.**

See Fig. F

Starting & stopping  
See Fig. G1, G2

Adjusting the Cutting Height  
 **WARNING!** Stop, release bail handle and wait until the motor stops before adjusting height. The blades continue to rotate after the machine is switched off, a rotating blade can cause injury. Do not touch rotating blades.


See Fig. H

Grass Bag Filling Indicator  
Empty status: flap floats (a)  
  
Fully status: flap falls down (b)  


See Fig. I1


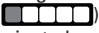
**Cordless Lawn Mower  
WG779E WG779E.X**



Removing/emptying grass collection bag  <b>WARNING!</b> Always check the safety flap close the discharge outlet before using. Never lift the safety flap when the lawn mower is being used without fitted grass collection bag.	See Fig. I2
Rear discharge	See Fig. J
STORAGE	See Fig. K1, K2

### BATTERY STATUS (See Fig. F)

Before starting or after use, press the button "POWERTEST" on the machine to check the battery capacity. During operation, the battery capacity will be indicated automatically by the battery power indicator. The indicator constantly senses and displays the battery condition as follows:

Battery power indicator status	Battery condition
Five green lights  are illuminated.	The two batteries are in a highly charged condition.
Two, three or four green lights are illuminated.	The two batteries have a remaining charge. The more lights are illuminated, the more battery capacity.
Only one green light  is illuminated.	At least one battery is almost depleted and needs to be charged.
No light is illuminated.	At least one battery is not fully installed or battery may be defective.
Only one light is flashing twice per cycle.	At least one battery is over discharged (please refer to the battery charge condition), please recharge the two batteries at once before use again or storage.
Only one light is flashing three times per cycle.	At least one battery is hot, wait for them cool down before start again.
Only one light is flashing four times per cycle.	The machine is over load. Raise the cutting height or push slowly.

### MOWING TIPS

**NOTE: ALWAYS INSPECT AREA WHERE MOWER IS TO BE USED AND REMOVE ALL STONES, STICKS, WIRE, METAL AND OTHER DEBRIS WHICH MIGHT BE THROWN BY THE ROTATING BLADE.**

1. Mow across the face of slopes, never up-and-down. Exercise extreme caution when changing direction on slopes. Do not mow excessively steep

2. Release bail handle to turn mower "OFF" when crossing any graveled area (stones can be thrown by the blade).
3. Set mower at highest cutting height when mowing in rough ground or in tall weeds. Removing too much grass at one time can cause circuit breaker to trip, which stops mower.
4. If a grass bag is used during the fast growing season, the grass may tend to clog up at the discharge opening. Release bail handle to turn mower "OFF" and remove the safety key. Remove the grass bag and shake the grass down to the back end of the bag. Also clean out any grass or debris which may be packed around the discharge opening. Replace the grass collection bag.
5. If mower should start to vibrate abnormally, release bail handle to turn mower "OFF" and remove safety key. Check immediately for cause. Vibration is a warning of trouble. Do not operate mower until a service check has been made.
- 6. ALWAYS RELEASE BAIL HANDLE TO TURN MOWER "OFF" AND REMOVE SAFETY KEY WHEN LEAVING IT UNATTENDED EVEN FOR A SHORT PERIOD OF TIME.**

### CUTTING AREA

The cutting area can be affected by several factors, such as cutting height, lawn humidity, grass length and density. Besides, starting and stopping the mower too many times during operation will reduce the cutting area.

The table below gives the relationship between cutting conditions and cutting area.

Cutting conditions		Cutting area (maximum)		
Grass conditions	Cutting height	2.0 Ah battery	2.5 Ah battery	4.0 Ah battery
Very thin, dry grass	cut 7cm to 5cm	230m <sup>2</sup> *	280m <sup>2</sup> *	460m <sup>2</sup> *
Thin, dry grass	cut 7cm to 3cm	120m <sup>2</sup> *	140m <sup>2</sup> *	230m <sup>2</sup> *

\* Used with two fully charged battery packs.

### TIPS:

- 1) It is recommended to mow your lawn more frequently, walk at normal pace, and not to start/stop the mower too often during operation. Please always use the same two batteries and charge the two batteries at same time.
- 2) For best performance, please ensure use a fully charged battery pack and always cut off 1/3 or less of the grass height.
- 3) Walk slowly when cutting long grass, so as to have more effective cutting and properly discharge the clippings.
- 4) Avoid cutting wet grass, otherwise it will stick to the underside of the deck and the clippings cannot be collected or discharged properly.
- 5) A higher cutting height shall be applied to new or thick grass and it will extend the battery duration.

# Cordless Lawn Mower

## WG779E WG779E.X



## MAINTENANCE



**WARNING: Stop the mower and remove the safety key before removing the grass bag.**

**NOTE:** To ensure long and reliable service, perform the following maintenance procedures regularly. Check for obvious defects such as a loose, dislodged or a damaged blade, loose fittings, and worn or damaged components. Check that the covers and guards are all undamaged and are correctly attached to mower. Carry out any necessary maintenance or repairs before operating mower. If the mower should happen to fail despite regular maintenance, please call our customer helpline for advice.

### BLADE SHARPENING

KEEP BLADE SHARP FOR BEST MOWER PERFORMANCE.

WEAR PROPER EYE PROTECTION WHILE REMOVING, SHARPENING, AND INSTALLING BLADE. ENSURE THAT SAFETY KEY IS REMOVED.

Sharpening the blade twice during a mowing season is usually sufficient under normal circumstances. Sand causes the blade to dull quickly. If your lawn has sandy soil, more frequent sharpening may be required. REPLACE BENT OR DAMAGED BLADE IMMEDIATELY.

#### WHEN SHARPENING THE BLADE:

1. Make sure blade remains balanced.
2. Sharpen blade at the original cutting angle.
3. Sharpen cutting edges on both ends of blade, removing equal amounts of material from both ends.

**NOTE:** 1. Be sure the mower is turned off and remove the key.

2. Place the mower in stand up storage mode.

#### TO SHARPEN BLADE IN A VISE (SEE Fig. L)

1. Be sure the bail handle is released, the blade has stopped and the safety key removed before removing the blade.
2. Remove blade from mower. See instructions for removing and attaching blade.
3. Secure blade L-1 in a vise L-2.
4. Wear safety glasses and be careful not to cut yourself.
5. Carefully file the cutting edges of the blade with a fine tooth file L-3 or sharpening stone.
6. Check balance of blade. See instructions for blade balancing.
7. Replace blade on mower and tighten securely. Refer to instructions below.

#### BLADE BALANCING (SEE Fig. M)

Check balance of blade by placing center hole in blade M-1 over a nail or screwdriver shank M-2, clamped horizontally in a vise M-3. If either end of the blade rotates downward, file that end. Blade is properly balanced when neither end drops.

#### BLADE MAINTENANCE (See Fig. N1, N2)

Renew your metal blade after 50 hours mowing or 2 years, whichever is the sooner-regardless of condition.

Follow these procedures to remove and replace the blade. You will need garden gloves (not provided) and a spanner wrench (not provided) to remove the blade. Hold the blade (18) and unscrew the blade bolt (17) counter-clockwise using a spanner wrench, and then remove blade.

To re-assemble, position the blade (18) with the cutting edges towards the ground. Then securely tighten the blade bolt (17).

## STORAGE (See Fig. K1, K2)

Stop the mower and always remove the safety key. Clean the exterior of the machine thoroughly using a soft brush and cloth. Do not use water, solvents or polishes. Remove all grass and debris, especially from the ventilation slots.

Turn the machine on its side and clean the blade area. If grass cuttings are compacted in the blade area, remove with a wooden or plastic implement. Store the machine in a dry place. Do not place other objects on top of the machine.

To aid storage, release the handle knob, and fold the upper handle as shown in Fig. K1 & K2.

## ENVIRONMENTAL PROTECTION



Waste electrical products must not be disposed of with household waste. Please recycle where facilities exist. Check with your local authorities or retailer for recycling advice.

**Positec Australia Pty Limited**

**10 Corporate Blvd Bayswater, VIC 3153, Australia**

# TROUBLESHOOTING

<b>Problem</b>	<b>Solution</b>
1. Mower doesn't run when bail handle is activated.	A. Check to make sure safety key has been installed and is fully seated and that button on switch housing is being completely pushed. B. Release bail handle to turn mower off. Remove safety key, turn mower over and check that blade is free to turn. If not free, return to an authorized servicer. Blade should turn freely. C. Has battery been fully charged? Plug in charger and wait for green light to come on.
2. Motor stops while mowing.	A. Release bail handle to turn mower off. Remove safety key, turn mower over and check that blade is free to turn. If not free, return to an authorized servicer. Blade should turn freely. B. Raise cutting height of wheels to highest position and start mower. C. Has battery been fully charged? Plug in charger and wait for green light to come on. D. Avoid overloading the mower. Slow down the cutting pace by pushing mower slower or raise the cut height. Or both.
3. Mower runs but cutting performance is unsatisfactory, or does not cut entire lawn.	A. Has battery been fully charged? Plug in charger and wait for green light to come on. B. Release bail handle to turn mower off. Remove safety key. Turn mower over and check: Blade for sharpness - Keep blade sharp. Deck and discharge chute for clogging. C. Wheel height adjustment may be set too low for grass condition. Raise cutting height.
4. Mower is too hard to push.	A. Raise cutting height to reduce deck drag on grass. Check each wheel for free rotation.
5. Mower is abnormally noisy and vibrates.	A. Release bail handle to turn mower off. Remove safety key. Turn mower on side and check blade to ensure it has not been bent or damaged. If blade is damaged, replace with a replacement blade. If the underside of the deck is damaged return mower to an Authorized service center. B. If there is no visible damage to the blade and the mower still vibrates: Release bail handle to turn mower off, remove safety key and remove blade. Rotate blade 180 degrees and retighten. If mower still vibrates, return the mower to an authorized service center.
6. Battery charger LED's not on.	A. Check plug connection. B. Replace charger.
7. Battery charger LED does not flip to green.	A. Battery needs to be diagnosed. Take to authorized service center.
8. Mower not picking up clippings with the Grass Collection Bag.	A. Remove mulch plate when bagging. B. Chute clogged. Release bail handle to turn mower off. Remove safety key. Clear chute of grass clippings. C. Too much cut grass. Raise cutting height of wheels to shorten length of the cut. D. Bag full. Empty bag more often.
9. When mulching there are clippings visible.	A. Too much cut grass. Raise cutting height of wheels to shorten length of the cut. Do not cut off more than 1/3 of total length. B. Check blade for sharpness. Always keep blade sharp.
10. Low or diminished run-time after many uses.	A. Return to Authorized Service location - may need new battery.
11. The battery charger LED flashes red and the battery can't be charged.	A. The battery overheats after continuous use. Remove battery from the charger and allow it to cool to 42°C or less.

# DECLARATION OF CONFORMITY

We,  
Positec Germany GmbH  
Postfach 32 02 16, 50796 Cologne, Germany

On behalf of Positec declare that the product  
Description: **Worx Cordless Lawn Mower**  
Type: **WG779E WG779E.X (770-789 -  
designation of machinery, representative of  
Cordless Lawn Mower)**  
Function: **Mowing grass**

Complies with the following Directives,  
**2006/42/EC**  
**2014/30/EU,**  
**2011/65/EU&(EU)2015/863**  
**2000/14/EC amended by 2005/88/EC**

**2000/14/EC amended by 2005/88/EC**  
Conformity assessment procedure as per  
**Annex VI**  
Measured Sound Power Level **87.76dB(A)**  
Declared Guaranteed Sound Power Level  
**90dB(A)**

The notified body involved  
**Name: Intertek Testing & Certification Ltd**  
**(notified body 0359)**  
**Address: Davy Avenue, Knowlhill, Milton**  
**Keynes, MK5 8NL**

Standards conform to,  
**EN 60335-1**  
**EN 60335-2-77**  
**EN 62233**  
**EN ISO 3744**  
**EN 55014-1**  
**EN 55014-2**

The person authorized to compile the technical file,  
**Name: Marcel Filz**  
**Address: Positec Germany GmbH**  
**Postfach 32 02 16, 50796 Cologne, Germany**



2022/01/19  
Allen Ding  
Deputy Chief Engineer, Testing & Certification  
Positec Technology (China) Co., Ltd.  
18, Dongwang Road, Suzhou Industrial  
Park, Jiangsu 215123, P. R. China

# Cordless Lawn Mower WG779E WG779E.X

# DECLARATION OF CONFORMITY

We,

Positec (UK & Ireland) Ltd.,  
PO Box 6242, Newbury, RG14 9LT, UK

On behalf of Positec declare that the product

Description: **Worx Cordless Lawn Mower**

Type: **WG779E WG779E.X (770-789 -  
designation of machinery, representative of  
Cordless Lawn Mower)**

Function: **Mowing grass**

Complies with the following regulations,  
**Supply of Machinery (Safety) Regulations 2008**  
**Electromagnetic Compatibility Regulations**  
**2016**

**The Restriction of the Use of Certain  
Hazardous Substances in Electrical and  
Electronic Equipment Regulations**  
**Noise Emission in the Environment by  
Equipment for Use Outdoors Regulations**

Conformity assessment procedure as per

**SCHEDULE 9**

Measured Sound Power Level **87.76dB(A)**

Declared Guaranteed Sound Power Level

**90dB(A)**

The notified body involved

**Name: Intertek Testing and Certification Ltd**  
**Address: Academy Place, 1-9 Brook  
Street, Brentwood, Essex, CM14 5NQ, United  
Kingdom**

Standards conform to,

**BS EN 60335-1, BS EN 60335-2-77,  
BS EN 62233, BS EN ISO 3744,  
BS EN 55014-1, BS EN 55014-2**

The person authorized to compile the technical file,

**Name: Jim Kirkwood**  
**Address: Positec (UK & Ireland) Ltd.,  
PO Box 6242, Newbury, RG14 9LT, UK**



2022/01/19

Allen Ding

Deputy Chief Engineer, Testing & Certification

Positec Technology (China) Co., Ltd.

18, Dongwang Road, Suzhou Industrial

Park, Jiangsu 215123, P. R. China



[www.worx.com](http://www.worx.com)

Copyright © 2022 Positec. All Rights Reserved.  
AR01336507

# Cordless Lawn Mower WG779E WG779E.X